



TABLE OF CONTENT

Tube fittings

Metric	10 - 41
Straight screw fitting (G)	10
Straight intermediate socket with taper (GZ)	11
Elbow union (W)	12
Adjustable elbow joint with taper (EW)	13
45° adjustable elbow joint with taper (EW)	14
L screw fitting with taper (EL)	15
L screw fitting with angled outlet (ELW)	16
L-screw fitting with angled outlet (ELWR)	16
T screw fitting (T)	17
T screw fitting with taper (ET)	18
T screw fitting with angled outlet (TW)	19
Straight male tube fitting with metric male thread (GE)	20
Straight male tube fitting with inch male thread (GE)	22
Straight male tube fitting with UNF/UN male thread (GE)	25
Straight insert connector with taper (EGE)	26
Angled high-pressure swivel screw fitting (WH)	28
Angled swivel screw fitting (WEE)	29
Reducing fitting with taper (RED)	30
Reducing nozzle with female thread (RI)	32
T reducing screw fitting (TR)	33
Straight bulkhead fitting (SV)	34
Angled bulkhead fitting (WSV)	35
Weld-on bulkhead fitting (ESV)	36
Stop plug (VKA)	37
Screw plug (VSTI)	38
Locking tappet (ROV)	39
Straight female tube fitting (EGAI)	40
Straight measuring connector with threaded coupling M16 (EMA3)	40
Straight measuring screw fitting with threaded coupling M16 (GMA3)	41

Hydraulic lines

Pipes	44 - 45
Steel	44
Stainless steel	45
Connection material, metric	46 - 47
Cutting ring (D)	46
Cap nut (M)	47
Foam cleaning pellets	48 - 49

Hydraulic hoses

Hydraulic hoses	52 - 53
Suction hoses	52
Pressure hoses	52
Hose fittings, metric	54 - 61
Hose fitting 0° with cap nut (RA - 0°)	54
Hose fitting 45° with cap nut (RA - 45°)	56
Hose fitting 90° with cap nut (RA - 90°)	57
Hose fitting with male thread (RI - 0°)	59
Press fittings	61

Closures

Shrink capsules	64 - 64
Protective caps – hexagonal	65 - 65
Protective caps – cylindrical	66 - 66
Pull-tab plugs	67 - 67
Lamellar plugs	68 - 68

PALFINGER lubricants

Lubricants	70 - 71
Grease for all crane models	72 - 72
Grease for EPSILON cranes	72 - 72
Chain oil for EPSILON cranes	73 - 73
Spray-on grease for TMF lifting mast chains	73 - 73
Grease with Teflon®	74 - 74
Spray-on grease with Teflon®	74 - 74
Liquid lubricant	75 - 75
Rope grease	75 - 75
Ceramic paste	76 - 76
Lubricant paste	76 - 76
O-ring grease	77 - 77

Sealants and adhesives

Sealant	80 - 80
Sealant / adhesive for pistons	80 - 80
Screw adhesive	81 - 81
Instant adhesive	81 - 81
Instant adhesive	82 - 82

Preservatives

Multi-wax preservative spray	84 - 84
Hard wax preservative spray	84 - 84

Pipe and hose clamps

Double/quadruple hose clamp	86 - 86
Modular hose clamp	87 - 87
Multiple pipe clamp with cover plate	88 - 88
Pipe clamps	89 - 89
Pipe clamp with rubber lining for wall assembly	90 - 90
Hinged pipe clamp with rubber lining	91 - 91
Single pipe clamp with elastomer lining	92 - 92
Single pipe clamp	93 - 93
Double pipe clamp	94 - 94
Set of pipe clamps	95 - 95
Tube padding	96 - 96

Hose clamps

Worm drive hose clamps	98 - 98
Worm drive spiral hose clamps	99 - 99
Pivot bolt hose clamps	100 - 100

Protective hoses

Textile hose sleeve	102 - 104
Textile hose sleeve sold by the meter	105 - 105
Hose protector	106 - 106
Heat protection hose	106 - 106
Spiral wrap for hoses	107 - 107
Shaft protection hose (EWL)	108 - 108
Shaft protection hose	109 - 109
Light spiral wrap hose protector	109 - 109
Spiral wrap hose protector	110 - 110
Rectangular spiral wrap hose protector	111 - 111

Consumables and accessories

Welding wire	114 - 114
Warning tape	115 - 115

Terminal boxes and Control Units

Terminal box, set 1	118 - 118
Terminal box, set 2	119 - 119
Terminal box, set 3	120 - 120
Terminal box, set 4	121 - 121
Terminal box, set 5	122 - 122
Terminal box, set 6	123 - 123
Terminal box, set 7	124 - 124

Terminal box, set 8	125 - 125
Terminal box, set 9	126 - 126
Terminal box, set 10	127 - 128
Control unit set 1	129 - 129
Control unit set 2	130 - 130
Control unit set 3	131 - 131
Control unit set 4	132 - 132
Accessories	133 - 135
Terminal box	133
Cable entry plates	134
Outer hinge set	135
Mounting rail	135

Cable glands and sealing inserts

Screwed cable gland set M12/16	138 - 138
Screwed cable gland set M20	139 - 139
Screwed cable gland set M25	140 - 140
Screwed cable gland set M32	141 - 141
Accessories	141 - 141
Screwed cable glands – accessories	142 - 143
Reductions	142
Counter nuts	142
Blind caps	143
Sealing plugs	143
Membrane	143

Relays

Relays, set 1	146 - 146
Relays, set 2	147 - 147
Relays – available separately	148 - 149
12 Volt	148
24 Volt	149
Cross connections	150 - 150
Cross connector set for relays	150

Terminal blocks and fuses

Single-level terminal block set TS15	152 - 152
Single-level terminal block set TS35	153 - 153
Double-level terminal block set	154 - 154
Triple-level terminal block set	155 - 155
Fuse set	156 - 156
Cross connections	157 - 158
Cross connector set for single-level terminal blocks	157
Cross connector set for double/triple-level terminal blocks	158

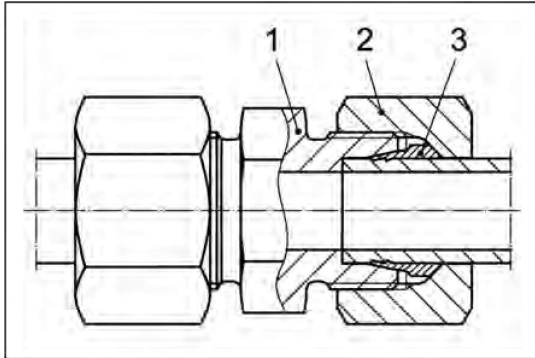
Command and signaling devices

16 mm program	160 - 161
22 mm program	162 - 163

TUBE FITTINGS

24 degree cone tube fittings

These parts of hydraulic connection technology are standardized according to DIN EN ISO 8434-1 or DIN 2353 and by their geometrical form seal hydraulic pipes and screw fittings easily, reliably and safely.



- 1 Screw fitting
- 2 Cap nut
- 3 Cutting ring

Materials

The tube fittings mentioned in this catalog are made of cold-drawn or forged steel:

- Steel tube fittings - electroplated surface
- Stainless steel tube fittings (6CrNiMoTi17122, 1.4571) – Marine design

Pressure range

The pressures specified in the below table apply to static load and refer to the nominal pressure (PN) according to DIN EN 764-1. The nominal pressure PN is given for a four-fold safety factor (DIN 3859).

Series	LL		L										S									
Ø* [mm]	6	8	6	8	10	12	15	18	22	28	35	42	6	8	10	12	14	16	20	25	30	38
Steel	100		500		400			250			800		630			400						
Stainless steel	100		315					160			630			400			315					

* External pipe diameter

Operating temperatures

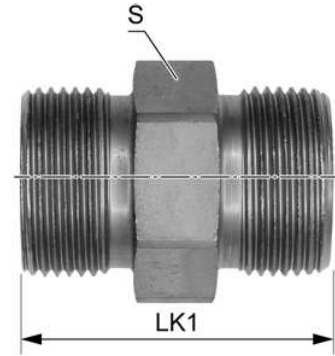
Steel: -40 to +120°C (DIN 3859)

Stainless steel: -60 to +400°C (DIN EN 10088-3)

Straight screw fitting (G)

With taper, metric male thread

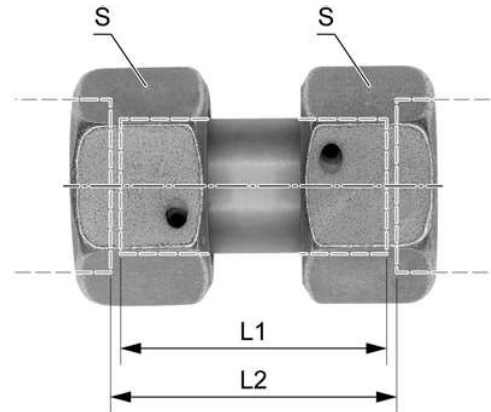
DIN 2353, ISO 8434-1



Description	Ø [mm]	S [mm]	LK1 [mm]	Part no.	
				Steel	Stainless steel
G 06LL	6	11	20	-	EA5121M
G 08L	8	14	25	EA 495	-
G 08S	8	17	32	EA 277	EA 277M
G 10L	10	17	27	EA1136	EA1136M
G 10S	10	19	32	EA 083	EA 083M
G 12L	12	19	28	EA1142	-
G 12S	12	22	34	EA 204	EA 204M
G 14S	14	24	38	EA 026	EA 026M
G 16S	16	27	38	EA 496	EA 496M
G 18L	18	27	31	EA 241	EA 241M
G 20S	20	32	44	EA 103	EA 103M
G 22L	22	32	35	EA 323	EA 323M
G 25S	25	41	50	EA 789	EA1086M
G 28L	28	41	36	EA 200	EA 200M
G 35L	35	46	41	EA1140	EA1140M

Straight intermediate socket with taper (GZ)

With taper and O-ring, metric female thread
 DIN 2353, ISO 8434-1



Tube fittings
Metric

Description	Ø [mm]	L1 [mm]	L2 [mm]	S [mm]	Part no. Steel	Part no. Stainless steel
GZ 08S	8	36	39	19	EA 782	EA 782M
GZ 10L	10	35	37	19	EA2017	EA2017M
GZ 10S	10	40	43	22	EA 783	-
GZ 12L	12	35	37	22	EA5393	EA5393M
GZ 12S	12	41	44	24	EA 784	EA 784M
GZ 14S	14	44	48	27	EA 785	EA 785M
GZ 16S	16	45	50	30	EA 786	EA 786M
GZ 18L	18	39.5	42.5	32	EA1686	EA1686M
GZ 20S	20	54	60	36	EA1732	EA1732M
GZ 25S	25	59	66	46	EA1733	EA1733M
GZ 30S	30	-	-	-	-	EA2150M

Elbow union (W)

With taper, metric male thread
DIN 2353, ISO 8434-1

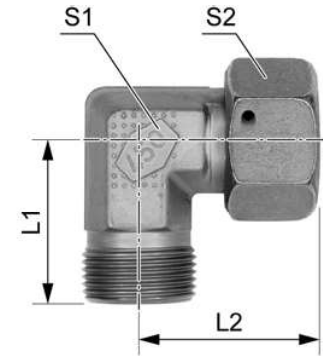


Description	Ø [mm]	S2 [mm]	LK2 [mm]	Part no. Steel	Part no. Stainless steel
W 06L	6	12	19	EA 426	-
W 08S	8	14	24	EA 463	EA 463M
W 10L	10	14	22	EA 662	-
W 12L	12	17	24	EA5392	-
W 12S	12	19	29	EA 245	EA 245M
W 16S	16	24	33	EA 839	EA 839M
W 18L	18	24	31	EA 253	-
W 20S	20	27	37	EA 356	EA 356M
W 28L	28	36	38	EA 538	-
W 35L	35	41	45	EA 841	-

Adjustable elbow joint with taper (EW)

With taper and O-ring, metric female thread

DIN 2353, ISO 8434-1

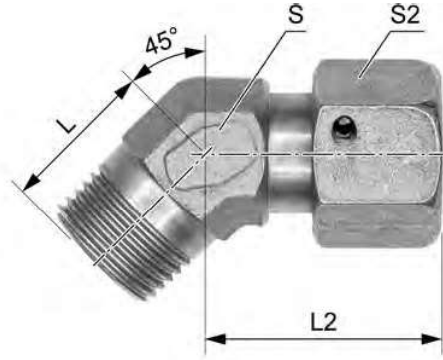


Tube fittings
Metric

Description	Ø [mm]	L1 [mm]	L2 [mm]	S1 [mm]	S2 [mm]	Part no. Steel	Part no. Stainless steel
EW 06L	6	27	24.5	12	17	EA 440	EA 440M
EW 06S	6	31	27	14	17	EA 374	-
EW 08L	8	29	26	12	17	EA 276	EA 276M
EW 08L	8	29	26	12	17	EA5539	-
EW 08S	8	32	26	17	19	EA 263	EA 263M
EW 10L	10	30	28	14	19	EA 278	EA 278M
EW 10S	10	34	28.5	19	22	EA 159	EA 159M
EW 12L	12	32	28.5	17	22	EA 099	EA 099M
EW 12S	12	38	29.5	22	24	EA 280	EA 280M
EW 14S	14	40	33	19	27	EA 012	EA 012M
EW 15L	15	36	31.5	19	27	EA 843	-
EW 16S	16	43	34	24	30	EA 019	EA 019M
EW 18L	18	40	34	24	32	EA 237	EA 237M
EW 20S	20	48	41.5	27	36	EA 098	EA 098M
EW 22L	22	44	37	27	36	EA 329	EA 329M
EW 25S	25	54	46.5	36	46	EA 115	EA 115M
EW 28L	28	47	40	36	41	EA 258	EA 258M
EW 35L	35	56	48	41	50	EA1375	-
EW 42L	42	63	52.5	50	60	EA5511	-

45° adjustable elbow joint with taper (EW)

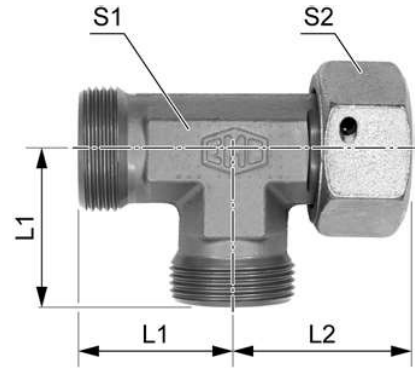
With taper and O-ring, metric female thread
DIN 2353, ISO 8434-1



Description	Ø [mm]	L [mm]	L2 [mm]	S [mm]	S2 [mm]	Part no. Steel	Part no. Stainless steel
EW 12L 45°	12	21	30	19	22	EA6277	-

L screw fitting with taper (EL)

With taper and O-ring, metric female thread
DIN 3865, ISO 8434-1



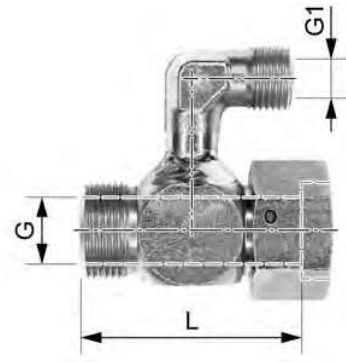
Tube fittings
Metric

Description	Ø [mm]	L1 [mm]	L2 [mm]	S1 [mm]	S2 [mm]	Part no. Steel	Part no. Stainless steel
EL 06L	6	19	24.5	12	17	EA 593	-
EL 06S	6	23	25.5	14	17	EA 770	-
EL 08L	8	21	26	12	17	EA 285	-
EL 08S	8	24	26	17	19	EA 091	EA 091M
EL 10L	10	22	28	14	19	EA 531	EA 531M
EL 10S	10	25	28.5	19	22	EA 730	EA 730M
EL 12S	12	29	29.5	22	24	EA 202	EA 202M
EL 14S	14	30	33	19	27	EA 014	EA 014M
EL 16S	16	33	34	24	30	EA 062	EA 062M
EL 18L	18	31	34	24	32	EA 511	EA 511M
EL 20S	20	37	41.5	27	36	EA 371	EA 371M
EL 22L	22	35	37	27	36	EA 327	EA 327M
EL 25S	25	42	46.5	36	46	EA1090	EA1090M
EL 28L	28	38	40	36	46	EA 401	EA 401M
EL 35L	35	45	48	36	50	EA1376	EA1376M

L screw fitting with angled outlet (ELW)

With angled outlet and taper

ISO 8434-1

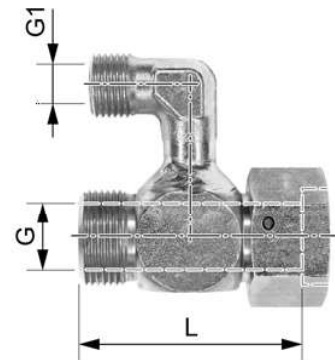


Description	G	G1	L [mm]	Part no. Steel	Part no. Stainless steel
ELW 12S/12S	12S	12S	73	HLA 099	-
ELWR 12S/08S	12S	08S	73	HLA 500	-
ELWR 16S/08S	16S	08S	57	HLA 724	-

L-screw fitting with angled outlet (ELWR)

With angled outlet and taper

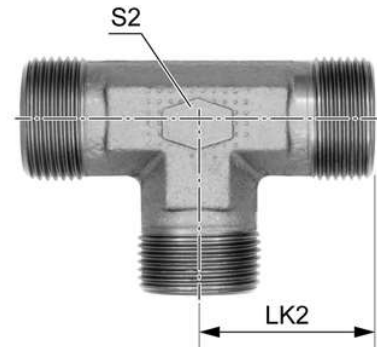
ISO 8434-1



Beschreibung	G	G1	L [mm]	Teile-Nr. Stahl
ELWR 14S/08S	14S	08S	56	HLA 559
ELWR 16S/08S	16S	08S	57	HLA 760
ELWR 12S/08S	12S	08S	73	HLA 711

T screw fitting (T)

With taper, metric male thread
DIN 2353, ISO 8434-1

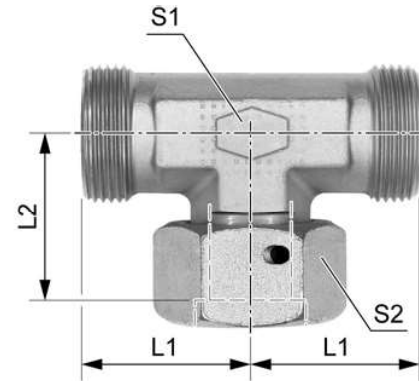


Tube fittings
Metric

Description	Ø [mm]	S2 [mm]	LK2 [mm]	Part no. Steel	Part no. Stainless steel
T 06L	6	12	19	EA 112	-
T 06S	6	12	23	EA 652	-
T 08L	8	-	-	EA 154	-
T 08S	8	14	24	EA 192	EA 192M
T 10L	10	14	22	EA 191	EA 191M
T 10S	10	17	25	EA 082	-
T 12S	12	17	29	EA 195	EA 195M
T 14S	14	19	30	EA 028	EA 028M
T 16S	16	24	33	EA 057	EA 057M
T 18L	18	24	31	EA 252	EA 252M
T 20S	20	27	37	EA 101	EA 101M
T 22L	22	27	35	EA 690	EA 690M
T 25S	25	36	42	EA 094	-
T 28L	28	36	38	EA 193	-
T 35L	35	41	45	EA1116	-

T screw fitting with taper (ET)

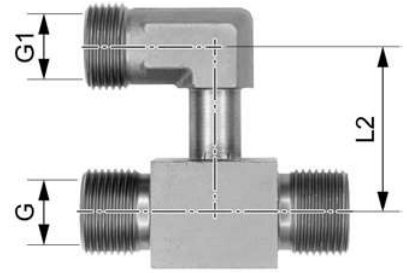
With taper and O-ring, metric female thread
ISO 8434-1



Description	Ø [mm]	L1 [mm]	L2 [mm]	S1 [mm]	S2 [mm]	Part no. Steel	Part no. Stainless steel
ET 08L	8	21	26	12	17	EA 284	-
ET 08S	8	24	26	17	19	EA1544	EA1544M
ET 10L	10	22	28	14	19	EA 753	EA 753M
ET 12S	12	29	29.5	22	24	EA 485	EA 485M
ET 14S	14	30	33	19	27	EA 029	EA 029M
ET 16S	16	33	34	24	30	EA 052	EA 052M
ET 18L	18	31	34	24	32	EA 560	-
ET 20S	20	37	41.5	27	36	EA1278	EA1278M
ET 22L	22	35	37	27	36	EA1178	-
ET 25S	25	42	46.5	36	46	EA1166	EA1166M
ET 28L	28	38	40	36	46	EA 689	-
ET 28L	28	-	-	-	-	EA1526	EA1526M

T screw fitting with angled outlet (TW)

With angled outlet and taper
ISO 8434-1



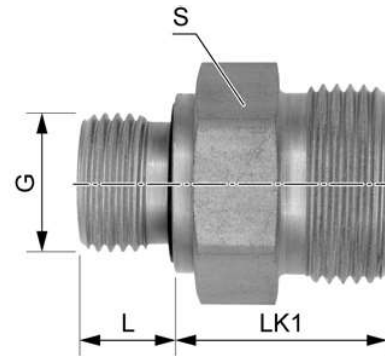
Tube fittings
Metric

Description	G	G1	L2 [mm]	Part no. Steel	Part no. Stainless steel
TW 12S/12S	12S	12S	36	EA 600	-

Straight male tube fitting with metric male thread (GE)

With metric male thread and soft seal

DIN 2353, ISO 8434-1



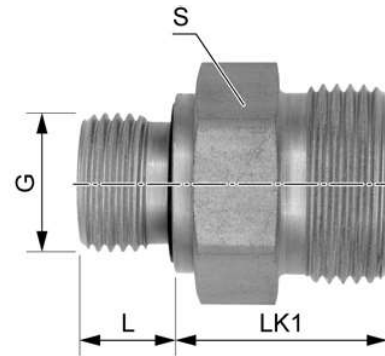
Description	Ø [mm]	G	S [mm]	LK1 [mm]	L [mm]	Part no. Steel	Part no. Stainless steel
GE 06L M10x1.0-ED	6	M10x1	14	15.5	8	EA 002	EA 002M
GE 08L M10x1.0-ED	8	M10x1	14	17.0	8	EA1664	EA1664M
GE 08L M12x1.5-ED	8	M12x1.5	17	17.0	12	EA 533	EA 533M
GE 08L M14x1.5-ED	8	M14x1.5	19	20.0	12	EA3001	-
GE 08S M10x1.0-ED	8	M10x1	17	21.5	8	EA1898	EA1898M
GE 08S M12x1.5-ED	8	M12x1.5	17	20.0	12	EA2189	-
GE 08S M14x1.5-ED	8	M14x1.5	19	22.0	12	EA 144	EA 144M
GE 10L M 16x1.50-ED	10	M16x1.5	22	19.5	12	EA1690	EA1690M
GE 12L M12x1,5-ED	12	M12x1.5	19	18.0	12	EA4619	-
GE 12L M18x1.5-ED	12	M18x1.5	24	19.5	12	EA 385	-
GE 12L M16x1.5-ED	12	M16x1.5	22	19.5	12	EA 810	EA 810M
GE 12S M14x1.5-ED	12	M14x1.5	19	18.0	12	EA5608	-
GE 12S M16x1.5-ED	12	M16x1.5	22	19.5	12	-	EA5196M
GE 12S M18x1.5-ED	12	M18x1.5	24	24.5	12	EA 070	EA 070M
GE 12S M22x1.5-ED	12	M22x1.5	27	25.0	14	EA 032	-
GE 14S M20x1.5-ED	14	M20x1.5	27	27.0	14	EA 013	-
GE 15L M18x1.5-ED	15	M18x1.5	22	-	-	EA5777	-
GE 16S M18x1.5-ED	16	M18x1.5	27	27.0	12	EA5952	-
GE 16S M22x1.5-ED	16	M22x1.5	27	27.0	14	EA 056	EA 056M
GE 16S M27x2.0-ED	16	M27x2	32	29.0	16	EA1823	-
GE 18L M18x1.5-ED	18	M18x1.5	27	21.5	12	EA1821	-
GE 18L M20x1.5-ED	18	M20x1.5	27	22.0	14	EA1820	-
GE 18L M26x1.5-ED	18	M26x1.5	32	22.0	16	EA1822	-
GE 18L M22x1.5-ED	18	M22x1.5	27	22.0	14	EA2203	-

Description	Ø [mm]	G	S [mm]	LK1 [mm]	L [mm]	Part no. Steel	Part no. Stainless steel
GE 20S M27x2.0-ED	20	M27x2	-	-	-	EA1219	EA1219M
GE 22L M22x1.5-ED	22	M22x1.5	32	24.0	14	EA6595	-
GE 22L M27x2.0-ED	22	M27x2	32	24.0	16	EA5735	-
GE 22L M33x2.0-ED	22	M33x2	41	25.0	18	EA1866	-
GE 28L M33x2.0-ED	28	M33x3	-	-	-	EA1416	-

Straight male tube fitting with inch male thread (GE)

With inch male thread and soft seal

ISO 1179



Description	Ø [mm]	G	S [mm]	LK1 [mm]	L [mm]	Part no. Steel	Part no. Stainless steel
GE 06L R1/8-ED	6	R1/8"	14	15.5	8	EA 390	EA 390M
GE 06L R1/4-ED	6	R1/4"	14	20.0	12	EA5778	
GE 06S R1/4-ED	6	R1/4"	19	20.0	12	EA 370	EA 370M
GE 08L R1/8-ED	8	R1/8"	14	15.5	8	EA2245	-
GE 08L R1/4-ED	8	R1/4"	19	17.0	12	EA 279	EA 279M
GE 08L R3/8-ED	8	R3/8"	22	19.0	12	EA 189	-
GE 08L R1/2-ED	8	R1/2"	27	19.0	14	EA1859	-
GE 08S R1/8-ED	8	R1/8"	17	20.0	8	EA1871	EA1683M
GE 08S R1/4-ED	8	R1/4"	19	22.0	12	EA 089	EA 089M
GE 08S R3/8-ED	8	R3/8"	22	22.5	12	EA1052	EA1052M
GE 08S R1/2-ED	8	R1/2"	27	25.0	14	EA1045	EA1045M
GE 10L R1/8-ED	8	R1/8"	-	-	-	EA2885	EA2885M
GE 10L R1/4-ED	10	R1/4"	19	18.0	12	EA 283	EA 283M
GE 10L R3/8-ED	10	R3/8"	22	19.5	12	EA 190	EA 190M
GE 10L R1/2-ED	10	R1/2"	27	20.0	14	EA4850	EA4850M
GE 10L R3/4-ED	10	R3/4"	-	-	-	-	EA5406M
GE 10S-R1/4-ED	10	R1/4"	19	22.0	12	EA2233	EA5027M
GE 10S R3/8-ED	10	R3/8"	22	22.5	12	EA 069	EA 069M
GE 10S R1/2-ED	10	R1/2"	27	25.0	14	EA 761	EA 761M
GE 12LL R1/4-ED	10	R1/4"	-	-	-	EA 409	-
GE 12L R1/4-ED	12	R1/4"	19	19.0	12	EA2112	-
GE 12L R3/8-ED	12	R3/8"	22	19.5	12	EA1868	EA1868M
GE 12L R1/2-ED	12	R1/2"	27	20.0	14	EA1682	-
GE 12S R1/4-ED	12	R1/4"	22	24.0	12	EA1829	EA1829M

Description	Ø [mm]	G	S [mm]	LK1 [mm]	L [mm]	Part no. Steel	Part no. Stainless steel
GE 12S R3/4-ED	12	R3/4"	32	27.0	16	EA1869	EA1869M
GE 12S R3/8-ED	12	R3/8"	22	24.5	12	EA 039	EA 039M
GE 12S R1/2-ED	12	R1/2"	27	25.0	14	EA 183	EA 183M
GE 14S R3/8-ED	14	R3/8"	24	26.5	12	EA 757	EA 757M
GE 14S R1/2-ED	14	R1/2"	27	27.0	14	EA 020	EA 020M
GE 14S R3/4-ED	14	R3/4"	32	28.0	16	HLA 374	-
GE 15L R3/4-ED	15	R3/4"	32	22.0	16	EA2051	-
GE 15L-1/2"ED	15	R1/2"	27	21.0	14	EA2060	-
GE 16S R3/8-ED	16	R3/8"	27	26.5	12	EA 769	EA 769M
GE 16S R1/2-ED	16	R1/2"	27	27.0	14	EA 074	EA 074M
GE 16S R3/4-ED	16	R3/4"	32	29.0	16	EA 033	EA 033M
GE 18L R3/8-ED	18	R3/8"	27	13.0	12	HLA 376	-
GE 18L R1/2-ED	18	R1/2"	27	22.0	14	EA 240	EA 240M
GE 18L R3/4-ED	18	R3/4"	32	22.0	16	EA 243	EA 243M
GE 18L R1-ED	18	R1"	41	23.0	18	EA1514	EA1514M
GE 20S R1/2-ED	20	R1/2"	32	31.0	14	EA1017	EA1017M
GE 20S R3/4-ED	20	R3/4"	32	31.0	16	EA 097	EA 097M
GE 20S R3/4-ED (***)	20	R3/4"	32	92.0	16	-	HLA1134M
GE 20S R1-ED	20	R1"	41	33.0	18	EA 754	EA 754M
GE 22L R1/2-ED	22	R1/2"	32	24.0	14	EA1570	EA1570M
GE 22L R3/4-ED	22	R3/4"	32	24.0	16	EA 330	EA 330M
GE 22L R1-ED	22	R1"	41	25.0	18	EA1515	EA1515M
GE 25S R3/4-ED	25	R3/4"	41	35.0	16	EA1018	EA1018M
GE 25S R1-ED	25	R1"	41	35.0	18	EA 085	EA 085M
GE 25S R1-ED (***)	25	R1"	41	88.0	18	-	EA5846M
GE 28L R3/4-ED	28	R3/4"	36	25.0	16	HLA 102	HLA 102M
GE 28L R1-ED	28	R1"	41	25.0	18	EA 053	EA 053M
GE 28L R1 1/4-ED	28	R1 1/4"	50	25.0	20	EA1295	EA1295M
GE 30S R1-ED	30	R1"	41	37.0	18	-	EA1895M
GE 35L R1-ED	35	R1"	46	28.0	18	EA1161	EA1161M
GE 35L R1 1/4-ED	35	R1 1/4"	50	28.0	20	EA1141	EA1141M
GE 35L R 1 1/2-ED	35	R1 1/2"	55	30.0	22	EA6173	-
GE 38S R1-ED	38	R1"	55	42.0	18	-	EA5514M
GE 38S R 1 1/2-ED	38	R1 1/2"	55	42.0	22	-	EA1098M
GE 42L R1-ED	42	R1"	55	30.0	18	EA5739	-
GE 42L R1 1/4-ED	42	R1 1/4"	55	30.0	20	EA6615	-

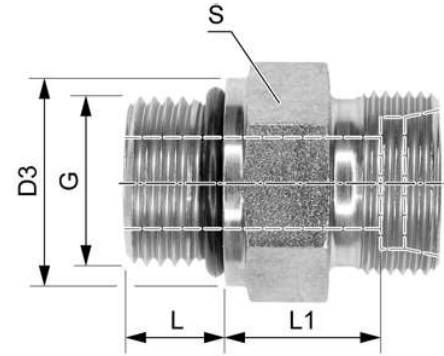
Straight male tube fitting with inch male thread (GE)

Description	Ø [mm]	G	S [mm]	LK1 [mm]	L [mm]	Part no. Steel	Part no. Stainless steel
GE 42L R1 1/2-ED	42	R1 1/2"	55	30.0	22	EA2083	-

Straight male tube fitting with UNF/UN male thread (GE)

With UNF/UN male thread and soft seal

ISO 11926-2/3



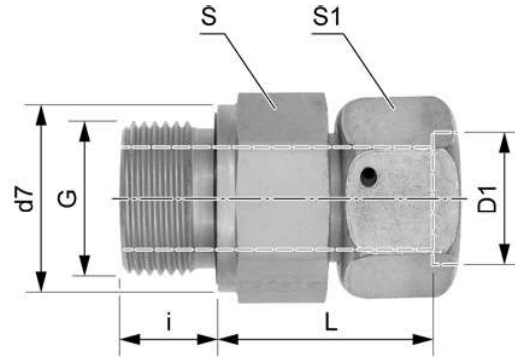
Tube fittings
Metric

Description	Ø [mm]	G	S [mm]	D3	L [mm]	L1	Part no. Steel	Part no. Stainless steel
GE 08S 7/16"-20UNF	8	7/16-20UNF-2A	17	14	9.1	15.9	EA1189	EA1189M
GE 10L 7/16"-20UNF	10	7/16-20UNF-2A	17	13.8	9.1	10.9	EA2129	-
GE 12S 3/4"-16UNF	12	3/4-16UNF-2A	24	22	11.1	17.4	EA1810	EA5198M
GE 12S R7/8"-14UNF	12	7/8-14UNF-2A	27	27	12.7	14.8	EA2158	-
GE 12S R9/16"-18UNF	12	9/16-18UNF-2A	22	17	10	14.5	EA6339	-
GE 16S 7/8"-14UNF	16	7/8-14UNF-2A	27	27	12.7	18.8	EA1184	-
GE 18L R7/8"-14UNF	18	7/8-14UNF-2A	27	27	12.7	14.8	EA6337	-
GE 20S R7/8"-14UNF	20	7/8-14UNF-2A	32	27	12.7	20.8	EA2159	-
GE 22L R1 1/16"-12UN	22	1 1/16-12UN-2A	32	32	15.1	16.4	EA6336	-
GE 22L R7/8"-14UNF	22	7/8-14UNF-2A	32	27	12.7	16.8	EA6338	-
GE 25S R1 5/16"-12UNF	25	1 5/16-12UN-2A	41	41	15.1	22.9	EA6335	-
GE 28L R1 5/16"-12UN	28	1 5/16-12UN-2A	41	41	15.1	17.4	EA6333	-
GE 35L R1 5/16"-12UN	35	1 5/16-12UN-2A	46	41	15.1	17.4	EA6334	-

Straight insert connector with taper (EGE)

With taper and O-ring, metric thread

DIN 3865



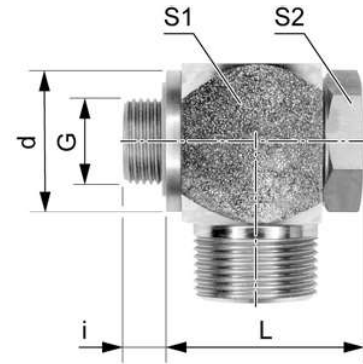
Description	D1 [mm]	G	d7 [mm]	i [mm]	L [mm]	S [mm]	S1 [mm]	Part no. Steel	Part no. Stainless steel
EGE 06L R1/8"-ED	6	R 1/8"	14	8	24.5	14	17	EA 417	-
EGE 06S R1/4"-ED	6	R 1/4"	19	12	27	19	17	EA 235	-
EGE 08L R1/4"-ED	8	R 1/4"	19	12	29.5	19	17	EA 438	-
EGE 08S R1/4"-ED	8	R 1/4"	19	12	29.5	19	19	EA 151	EA 151M
EGE 08S R3/8"-ED	8	R 3/8"	21	12	29.5	22	19	EA1236	EA1236M
EGE 10L R1/4"-ED	10	R 1/4"	19	12	27.5	19	19	EA 703	EA 703M
EGE 10L R3/8"-ED	10	R 3/8"	21	12	32.5	22	19	EA2291	EA2291M
EGE 10S R3/8"-ED	10	R 3/8"	22	12	32	22	22	EA 734	-
EGE 12L R1/4"-ED	12	R 1/4"	19	12	27.5	19	22	EA5892	EA5892
EGE 12L R1/4"-ED	12	R 1/4"	19	12	27.5	19	22	EA5771	EA5771
EGE 12L R3/8"-ED	12	R 3/8"	22	12	34	22	22	EA3022	EA3022M
EGE 12L R1/2"-ED	12	R 1/2"	-	-	-	-	-	EA5774	EA5774M
EGE 12S R3/8"-ED	12	R 3/8"	22	12	34	22	24	EA 201	EA 201M
EGE 12S R1/2"-ED	12	R 1/2"	27	14	33	27	24	EA 260	EA 260M
EGE 14S R1/2"-ED	14	R 1/2"	27	14	36.5	27	27	EA 220	EA 220M
EGE 16S R1/2"-ED	16	R 1/2"	27	14	37	27	30	EA 181	EA 181M
EGE 16S R3/4"-ED	16	R 3/4"	32	16	36.5	32	30	EA 738	EA 738M
EGE 18L R1/2"-ED	18	R 1/2"	27	14	31.5	27	32	EA 251	EA 251M
EGE 20S R1/2"-ED	20	R 1/2"	-	-	-	-	-	EA6409	-
EGE 20S R3/4"-ED	20	R 3/4"	32	16	43	32	36	EA 114	EA 114M
EGE 22L R3/4"-ED	22	R 3/4"	32	16	32.5	32	36	EA 328	EA 328M
EGE 25S R3/4"-ED	25	R 3/4"	-	-	-	-	-	EA6189	-
EGE 25S R1"-ED	25	R 1"	40	18	48	41	46	EA1378	EA1378M

Description	D1 [mm]	G	d7 [mm]	i [mm]	L [mm]	S [mm]	S1 [mm]	Part no. Steel	Part no. Stainless steel
EGE28L R3/4"ED	28	R 3/4"	32	16	36	41	41	EA6435	-
EGE 28L R1"-ED	28	R 1"	-	-	-	-	-	EA1489	EA1489M
EGE 30S R1"-ED	30	R 1"	-	-	-	-	-	-	EA5007M
EGE 30S R1 1/4"-ED	30	R 1 1/4"	-	-	-	-	-	-	EA1897M
EGE35L R1 1/4" ED	35	R 1 1/4"	50	20	42.5	50	50	EA6538	-
EGE 08L M12x1.5-ED	8	M 12x1.5	17	12	26.5	17	17	EA5538	-
EGE 12S M18x1.5-ED	12	M 18x1.5	24	12	34	24	24	EA 088	EA 088M
EGE 16S M22x1.5-ED	16	M 22x1.5	27	14	37	27	30	EA 055	EA 055M

Angled high-pressure swivel screw fitting (WH)

With banjo bolt and KD-gaskets, without nut and cutting ring

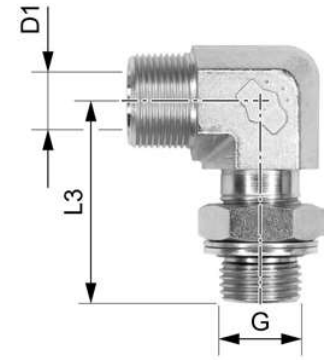
DIN 3865



Description	G	d [mm]	L [mm]	i [mm]	S1 [mm]	S2 [mm]	Part no. Steel	Part no. Stainless steel
WH 08L R1/4"-KD	G1/4"A	-	31.5	12	22	19	EA 651	EA651M
WH 08S R1/4"-KD	G1/4"A	22	31	12	22	19	EA 282	EA 282M
WH 10L R1/4"-KD	G1/4"A	22	33	12	22	19	EA 530	EA 530M
WH 10S R3/8"-KD	G3/8"A	27	37	12	27	22	EA 733	-
WH 12S R3/8"-KD	G3/8"A	27	36	12	27	24	EA 466	-
WH 14S R1/2"-KD	G1/2"A	32	43	14	32	30	EA 043	EA 043M
WH 16S R3/8"-KD	G3/8"A	27	43	11	30	24	EA1199	-
WH 16S R1/2"-KD	G1/2"A	32	47	14	32	30	EA 619	-
WH 18L R1/2"-KD	G1/2"A	32	45	14	32	30	EA 242	-
WH 20S R3/4"-KD	G3/4"A	41	53	16	41	36	EA 556	EA 556M
WH 22L R3/4"-KD	G3/4"A	41	53	16	41	36	EA 474	-
WH 12L M18x1.5-KD	M18x1.4	30	42	12	30	24	EA2089	-
WH 12S M18x1.5-KD	M18x1.5	12	39.5	12	30	27	EA 096	-
WH 16S M22x1.5-KD	M22x1.5	14	45	14	32	30	EA 403	-

Angled swivel screw fitting (WEE)

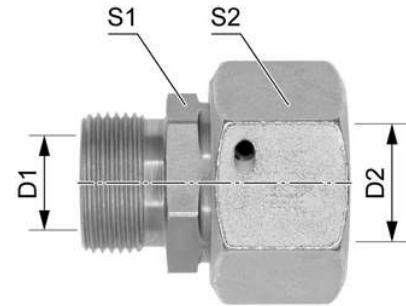
With lock nut and O-ring, without nut and cutting ring
 DIN 2353, ISO 8434-1



Tube fittings
 Metric

Description	D1	G	L3 [mm]	Part no. Steel	Part no. Stainless steel
WEE 08S R1/4	08S	1/4"	26	EA1747	EA1747M
WEE 10L R1/4	10L	1/4"	26	EA1748	-
WEE 12S R1/2	12S	1/2"	30	EA1875	EA1875M
WEE 12S R3/8	12S	3/8"	29	EA1749	EA1749M
WEE 14S R1/2	14S	1/2"	30	EA1750	EA1750M
WEE 16S R1/2	16S	1/2"	37	EA1782	EA1782M
WEE 20S R3/4	20S	3/4"	39	EA1752	EA1752M
WEE 12S M18x1,5	12S	M18x1.5	31	EA1756	-

With taper and O-ring
DIN 3865

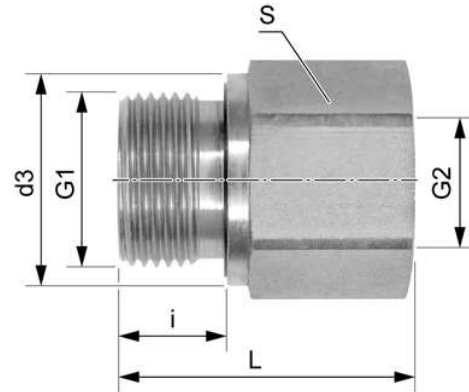


Description	D1 [mm]	D2 [mm]	S1 [mm]	S2 [mm]	Part no.	
					Steel	Stainless steel
RED 08/06L	6	8	12	17	EA 866	-
RED 10/08S	8	10	17	19	EA1203	-
RED 12/08L	8	12	17	22	EA 465	-
RED 12/08L	8	12	17	22	EA5997M	-
RED 12/08S	8	12	19	22	EA 355	EA 355M
RED 12/10L	10	12	17	22	EA 386	-
RED 12/10L	10	12	17	22	-	EA5068M
RED 12/10S	10	12	19	22	EA 281	-
RED 14/08S	8	14	22	27	EA 092	EA 092M
RED 14/12S	12	14	22	27	EA 037	EA 037M
RED 16/08S	8	16	22	30	EA 402	EA 402M
RED 16/12S	12	16	22	30	EA 121	EA 121M
RED 16/14S	14	16	24	30	EA 042	EA 042M
RED 18/10L	10	18	24	32	EA 254	-
RED 20/08S	8	20	27	36	EA1076	-
RED 20/12S	12	20	27	36	EA1826	-
RED 20/14S	14	20	27	36	EA 627	-
RED 20/16S	16	20	27	36	EA 102	-
RED 22/10L	10	22	27	36	EA1567	-
RED 22/18L	18	22	27	36	EA 577	-
RED 25/16S	16	25	36	46	EA 084	-
RED 25/20S	20	25	36	46	EA 155	-
RED 25/08S	8	25	36	46	EA6388	-
RED 28/10L	10	28	36	41	EA1540	-

Description	D1 [mm]	D2 [mm]	S1 [mm]	S2 [mm]	Part no. Steel	Part no. Stainless steel
RED 28/18L	18	28	36	41	EA 555	-
RED 28/22L	22	28	36	41	EA 360	-
RED 35/18L	18	35	46	50	EA6213	-
RED 35/28L	28	35	46	50	EA2261	-
RED 42/28L	28	42	50	60	EA2149	-

With female thread and soft seal

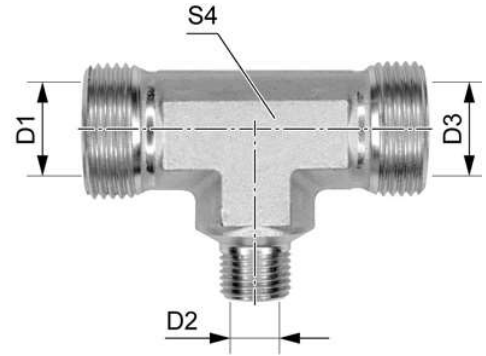
DIN 3865



Description	G1	G2	i [mm]	d3 [mm]	L [mm]	S [mm]	Part no. Steel	Part no. Stainless steel
RI 1/8"-EDx1/4"	G1/8"	G1/4"	8	14	31	19	EA 500	-
RI 1/4"-EDx3/8"	G1/4"	G3/8"	12	19	36	24	EA 398	-
RI 3/8"-EDx1/4"	G3/8"	G1/4"	12	22	36	22	EA2114	-
RI 3/8"-EDx1/2"	G3/8"	G1/2"	12	22	41	30	EA 275	EA 275M
RI 1/2"-EDx1/4"	G1/2"	G1/4"	14	27	24	27	EA 233	EA 233M
RI 1/2"-EDx1/4"	G1/2"	G1/4"	14	27	24	27	EA1828	-
RI 1/2"-EDx3/8"	G1/2"	G3/8"	14	27	37	27	EA 731	-
RI 1/2"-EDx3/4"	G1/2"	G3/4"	14	27	46	36	EA 188	EA 188M
RI 3/4"-EDx1/4"	G3/4"	G1/4"	16	32	26	32	EA 469	-
RI 3/4"-EDx1/2"	G3/4"	G1/2"	16	32	43	32	EA 529	-
RI 3/4"-EDx1/2"	G3/4"	G1/2"	16	32	41	32	EA1314	-
RI 3/4"-EDx3/8"	G3/4"	G3/8"	16	32	26	32	EA1608	-
RI 3/4"-EDx1"	G3/4"	G1"	16	32	51	41	EA 354	EA 354M
RI 1"-EDx1/2"	G1"	G1/2"	18	40	29	41	EA 249	EA 249M
RI 1"-EDx3/4"	G1"	G3/4"	18	40	49	41	EA 226	EA 226M
RI 1 1/4"-EDx3/4"	G1 1/4"	G3/4"	20	50	32	50	EA 894	EA 894M
RI 1 1/4"-EDx1"	G1 1/4"	G1"	20	50	53	50	EA1592	EA5124M
RI 1 1/2"-EDx3/4"	G1 1/2"	G3/4"	22	55	36	55	-	EA1168M
RI 1 1/2"-EDx1"	G1 1/2"	G1"	22	55	36	55	EA1169	EA1169M
RI 1 1/2"-EDx1 1/4"	G1 1/2"	G1 1/4"	22	55	58	55	EA1591	EA1591M

T reducing screw fitting (TR)

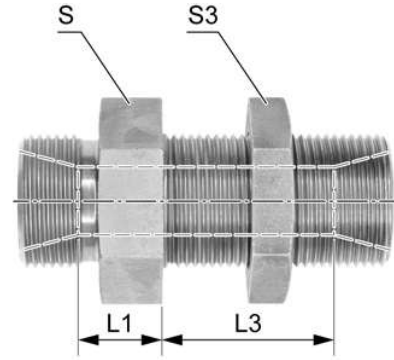
With taper, metric male thread
ISO 8434-1



Tube fittings
Metric

Description	D1 [mm]	D2 [mm]	D3 [mm]	S4 [mm]	Part no.	
					Steel	Stainless steel
TR 12/08/12S	12	8	12	17.0	EA1334	EA1334M
TR 14/08/14S	14	8	14	19.0	EA 736	EA 736M
TR 16/08/16S	16	8	16	24.0	EA2118	-
TR 16/12/16S	16	12	16	24.0	EA 737	-
TR 16/14/16S	16	14	16	24.0	EA 742	EA 742M
TR 20/08/20S	20	8	20	27.0	EA1325	EA1325M
TR 28/22/28L	28	22	28	36.0	EA1427	-

With taper, metric male thread
 DIN 2353, ISO 8434-1

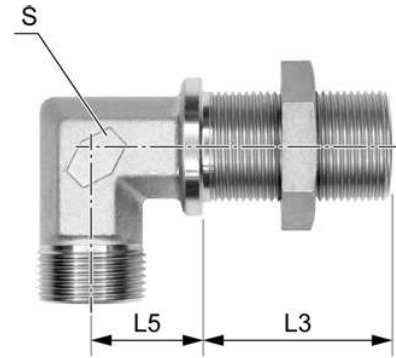


Description	Ø [mm]	S [mm]	S3 [mm]	L1 [mm]	L3 [mm]	Part no. Steel	Part no. Stainless steel
SV 06L	6	17	17	21.5	41.5	EA2117	-
SV 08S	8	22	22	27.5	43.5	EA1108	EA1108M
SV 10L	10	19	19	24.5	42.5	EA 618	EA 618M
SV 12L	12	24	24	24.5	43.5	EA5769	EA5769M
SV 12S	12	27	27	24.5	43.5	EA 489	EA 489M
SV 14S	14	30	30	34.5	49.5	EA 147	EA 147M
SV 16S	16	32	32	34.5	49.5	EA 230	EA 230M
SV 18L	18	32	32	29.5	48.5	EA 698	EA 698M
SV 20S	20	41	41	39	55	EA 231	EA 231M
SV 22L	22	36	36	32.5	50.5	EA 674	EA 674M
SV 25S	25	46	46	44	59	EA1188	EA1188M
SV 28L	28	41	41	35	52	EA1301	EA1301M
SV 35L	35	50	50	40	58.0	EA1377	EA1377M

Angled bulkhead fitting (WSV)

With taper, metric male thread

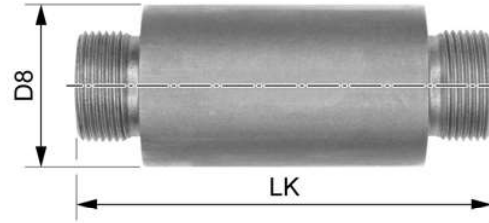
DIN 2353, ISO 8434-1



Tube fittings
Metric

Description	Ø [mm]	M [mm]	S [mm]	L3 [mm]	L5 [mm]	Part no. Steel	Part no. Stainless steel
WSV 08S	8	M16x1.5	14	44	18	EA 198	EA5125M
WSV 10L	10	M16x1.5	14	28	18	EA 503	EA5126M
WSV 12S	12	M20x1.5	17	47	21	EA 186	EA 186M
WSV 14S	14	M22x1.5	19	50	23	EA 059	EA 059M
WSV 16S	16	M24x1.5	24	50	24	EA 063	EA 063M
WSV 18L	18	-	24	49	24	-	EA5208M
WSV 20S	20	M30x2	27	55	30	EA 224	EA 224M
WSV 22L	22	-	27	51	30	EA 635	EA 635M
WSV 25S	25	M36x2	36	59	34	EA 156	EA5006M
WSV 28L	28	M36x2	36	52	34	EA 554	EA 554M

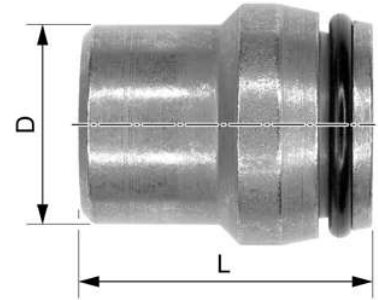
With taper, metric male thread
 DIN 2353, ISO 8434-1



Description	Ø [mm]	LK [mm]	D8 [mm]	Part no. Steel	Part no. Stainless steel
ESV 06L	6	85	18	EA1242	-
ESV 08S	8	89	22.0	EA1243	-
ESV 10L	10	87	22.0	EA1363	-
ESV 12L	12	-	-	-	EA5205M
ESV 14S	14	88	30.0	EA1365	-
ESV 16S	16	107	35.0	EA1366	-
ESV 20S	20	114	38.0	EA1368	-
ESV 25S	25	120	36.0	-	-
ESV 28L	28	106	36.0	-	-
ESV 42L	42	-	-	EA5401	-

Stop plug (VKA)

With taper and O-ring
DIN 3865



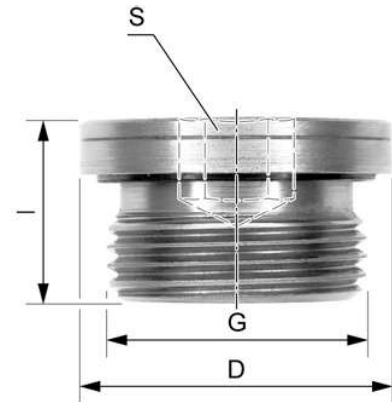
Tube fittings
Metric

Description	D [mm]	L [mm]	Part no. Steel	Part no. Stainless steel
VKA 06	6	18.5	EA1137	-
VKA 08	8	18.5	EA 443	EA 443M
VKA 10	10	20.0	EA 507	EA 507M
VKA 12	12	20.5	EA 341	EA 341M
VKA 14	14	22.5	EA 342	EA 342M
VKA 15L	15	20.5	EA2058	-
VKA 16	16	23.5	EA 343	-
VKA 18L	18	22.5	EA 344	-
VKA 20	20	28.5	EA 345	EA 345M
VKA 22	22	25.0	EA 346	-
VKA 25	25	29.0	EA1117	-
VKA 28L	28	25.5	EA 347	-
VKA 35	35	30.0	EA1118	-
VKA 42L	42	30.0	EA5740	-

Screw plug (VSTI)

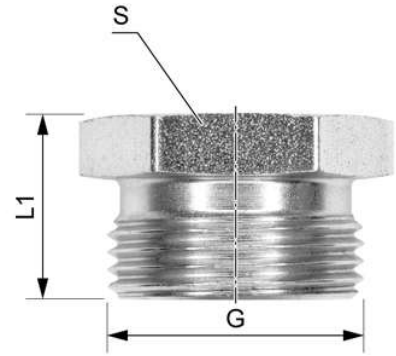
With hexagon socket and soft seal, metric male thread

DIN 3865



Description	G	D [mm]	S [mm]	I [mm]	Part no.	
					Steel	Stainless steel
VSTI R1/8-ED	R 1/8"	14	5	12	EA 423	EA 423M
VSTI R1/4-ED	R 1/4"	19	6	17	EA 236	EA 236M
VSTI R3/8-ED	R 3/8"	22	8	17	EA 442	EA 442M
VSTI R1/2-ED	R 1/2"	27	10	19	EA 261	EA 261M
VSTI R3/4-ED	R 3/4"	32	12	21	ES 111	ES 111M
VSTI R3/4-ED	R 3/4"	32	12	21	HLA 651	-
VSTI R3/4-ED	R 3/4"	41	12	21	EA6051	-
VSTI R1-ED	R 1"	40	17	22.5	EA 369	-
VSTI R1 1/4-ED	R 1 1/4"	50	22	22.5	EA1207	-
VSTI R1 1/2-ED	R 1 1/2"	55	24	22.5	EA 532	-
VSTI M10x1.0-ED	M 10x1	14	5	12	EA 244	-
VSTI M12x1.5-ED	M 12x1.5	17	6	17	EA 665	-
VSTI M14x1.5-ED	M 14x1.5	19	6	17	EA 687	-
VSTI M16x1.5-ED	M 16x1.5	22	8	17	EA 685	-
VSTI M18x1.5-ED	M 18x1.5	24	8	17	EA 746	-
VSTI M20x1.5-ED	M 20x1.5	26	10	19	EA 648	-
VSTI M22x1.5-ED	M 22x1.5	27	10	19	EA 684	-

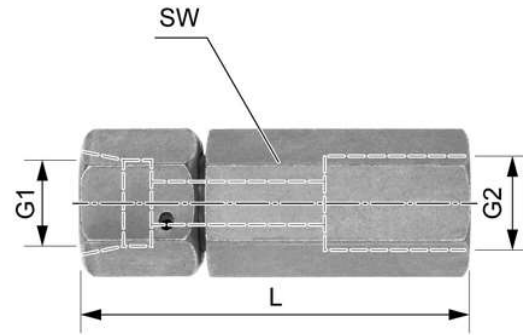
With taper, metric male thread
 DIN 2353, ISO 8434-1



Description	Ø [mm]	G [mm]	S [mm]	L1 [mm]	Part no. Steel	Part no. Stainless steel
ROV 06L	6	M12x1.5	12	14	EA2184	-
ROV 08L	8	M14x1.5	14	15	EA1024	-
ROV 08S	8	M16x1.5	17	20	EA1462	-
ROV 10L	10	M16x1.5	17	16	EA1023	-
ROV 12L	12	M18x1.5	19	18	EA 792	EA 792M
ROV 12S	12	M20x1.5	22	22	EA 774	-
ROV 14S	14	M22x1.5	24	24	EA 775	-
ROV 16S	16	M24x1.5	27	24	EA1202	EA1202M
ROV 18L	18	M26x1.5	27	19	EA 776	-
ROV 20S	20	M30x2	32	28	EA1886	-
ROV 22L	22	M30x2	32	21	EA1887	-
ROV 25S	25	M36x2	41	32	EA1888	-
ROV 28L	28	M36x2	41	22	EA 110	-
ROV 30S	30	M42x2	46	34	EA5159M	-
ROV 35L	35	M45x2	46	25	EA2999	-

Straight female tube fitting (EGAI)

With taper, metric thread
DIN 2353, ISO 8434-1



Description	G1	G2	L [mm]	SW [mm]	Part no. Steel	Part no. Stainless steel
EGAI 08S R1/4	8S	1/4"	56	19	HLA 804	CPHLA0002

Straight measuring connector with threaded coupling M16 (EMA3)

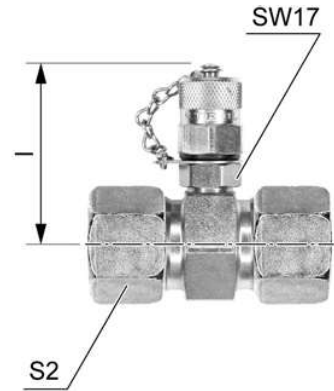
With screw cap
DIN 2353, ISO 8434-1



Description	G	Part no. Steel	Part no. Stainless steel
EMA3 R1/4-ED	1/4"	EA 716	EA 716M
EMA3 R3/8-ED	3/8"	EA1832	-
EMA3 M8x1-ED	M8	EA 451	-
EMA3 M12x1.5-ED	M12	EA1833	-

Straight measuring screw fitting with threaded coupling M16 (GMA3)

With screw cap, metric thread
DIN 2353, ISO 8434-1



Tube fittings
Metric

Description	Ø [mm]	l [mm]	S2 [mm]	Part no. Steel	Part no. Stainless steel
GMA3 08S	8	50	19	EA 247	EA 247M
GMA3 10L	10	50	19	EA5797	EA5797M
GMA3 12L	12	50	22	EA5776	EA5776M
GMA3 12S	12	50	24	EA 826	EA 826M
GMA3 16S	16	53	30	EA 180	EA 180M
GMA3 20S	20	56	36	EA 108	EA 108M
GMA3 25S	25	58.5	46	EA1380	EA1380M

HYDRAULIC LINES

For line and hose mounting refer to the technical guidelines 'RA 9-79 Fabrication of pipes and hoses' provided on PALDESK.



Hydraulic lines

Seamless cold-drawn and galvanized ($\geq 8 \mu\text{m}$) pipes
with organic cover layer ($\geq 50 \mu\text{m}$).
Color of organic top layer - RAL 9005 black.
Standard: EN10305-4



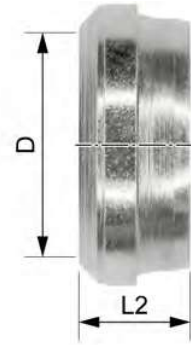
Dimension (\varnothing x s) [mm]	Length [m]	Material quality	Bursting pressure [bar]	Weight [kg/m]	Part no.
08 x 1.50	6	E355N	2000	0.240	R00 039
10 x 1.50	6	E355N	1940	0.314	R00 054
12 x 1.50	6	E355N	1510	0.388	R00 074
14 x 1.50	6	E355N	1230	0.462	R00 096
15 x 1.50	6	E355N	1130	0.499	R00 979
16 x 1.50	6	E355N	1095	0.536	R00 123
16 x 1.68	6	E355N	1200	0.593	R00 996
18 x 1.50	6	E355N	900	0.610	R00 053
20 x 2.00	6	E355N	1155	0.887	R00 198
20 x 3.00	6	E355N	1940	1.257	R00 1021
22 x 2.00	6	E355N	1000	0.990	R00 075
25 x 3.00	6	E355N	1430	1.627	R00 791
28 x 2.00	6	E235N	550	1.282	R00 536
35 x 2.00	6	E235N	395	1.627	R00 790

Seamless cold-drawn stainless steel pipes
 Standard: DIN 17456, DIN 17458



Dimension (Ø x s) [mm]	Length [m]	Material quality	Bursting pressure [bar]	Weight [kg/m]	Part no.
06 x 1.0	6	X6CrNiMoTi17-12-2	1820	0.125	ROO 132
08 x 1.5	6	X6CrNiMoTi17-12-2	2185	0.244	ROO 114
10 x 1.5	6	X6CrNiMoTi17-12-2	1680	0.319	ROO 120
12 x 1.5	6	X6CrNiMoTi17-12-2	1360	0.394	ROO 116
14 x 1.5	6	X6CrNiMoTi17-12-2	1140	0.469	ROO 115
16 x 2.0	6	X6CrNiMoTi17-12-2	1390	0.701	ROO 133
18 x 1.5	6	X6CrNiMoTi17-12-2	870	0.620	ROO 708
20 x 2.0	6	X6CrNiMoTi17-12-2	1080	0.901	ROO 117
22 x 2.0	6	X6CrNiMoTi17-12-2	970	1.002	ROO 118
25 x 2.5	6	X6CrNiMoTi17-12-2	1090	1.408	ROO 200
28 x 2.5	6	X6CrNiMoTi17-12-2	970	1.596	ROO 202

DIN 3861 Form B



Description	Ø [mm]	D [mm]	L2 [mm]	Part no. Steel	Part no. Stainless steel
D 06L/S	6	6.00	9.5	EA 265	EA 265M
D 08L/S	8	8.00	9.5	EA 267	EA 267M
D 10L/S	10	10.00	10.0	EA 078	EA 078M
D 12L/S	12	12.00	10.0	EA 024	EA 024M
D 14S	14	14.00	10.5	EA 015	EA 015M
D 15L	15	15.00	10.0	EA6088	-
D 16S	16	16.00	10.5	EA 051	EA 051M
D 18L	18	18.00	10.0	EA 239	EA 239M
D 20S	20	20.00	12.5	EA 107	EA 107M
D 22L	22	22.00	11.5	EA 332	EA 332M
D 25S	25	25.00	12.5	EA1088	EA1088M
D 28L	28	28.00	11.5	EA 228	EA 228M
D 30S	30	30.00	13.5	-	EA4975M
D 35L	35	35.20	13.5	EA1160	-
D 42L	42	42.25	13.5	EA5390	EA5611M

DIN 3870



Description	Ø [mm]	S [mm]	H [mm]	Part no.	
				Steel	Stainless steel
M 06L	6	14	15.0	EA 641	EA 641M
M 06S	6	17	16.0	EA 264	EA 264M
M 08L	8	17	15.0	EA 286	EA 286M
M 08S	8	19	16.0	EA 266	EA 266M
M 10L	10	19	16.0	EA 287	EA 287M
M 10S	10	22	17.5	EA 077	EA 077M
M 12L	12	22	16.0	EA 642	EA 642M
M 12S	12	24	18.0	EA 025	EA 025M
M 14S	14	27	20.0	EA 016	EA 016M
M 15L	15	27	17.5	EA2059	-
M 16S	16	30	21.0	EA 045	EA 045M
M 18L	18	32	18.0	EA 238	EA 238M
M 20S	20	36	24.0	EA 106	EA 106M
M 22L	22	36	20.5	EA 331	EA 331M
M 25S	25	46	26.5	EA1087	EA1087M
M 28L	28	41	22.0	EA 227	EA 227M
M 30S	30	50	29.5	-	EA4974M
M 35L	35	50	25.0	EA1156	EA1156M
M 42L	42	60	25.0	EA5391	-

Hydraulic lines
Connection material, metric

Refill for the PALFINGER hose and tube cleaning system
(item no. EKD 222)

Cleaning pellets are suitable for removing loose particles out of tubes and for emptying product lines. The standard pellets are made of white composite foam.

For a good cleaning performance the pellets should be circa 20 % larger than the internal tube diameter.



Name of nozzle	Type	Use
HN	Hose nozzle	Hose fittings
TN	Tube nozzle	Tube fittings

EP pellet Ø [mm]	Nozzle	Hose or tube Ø [External Ø x wall thickness]	Packaging unit [items]	Part no.
007	HN 06 TN 06 TN 08 TN 08 TN 10	1/4" / DN 06 6 x 1.0 8 x 1.0 8 x 1.5 10 x 2.0	300	K033-01048
010	HN 08 TN 10 TN 10 TN 12 TN 12	5/16" / DN 08 10 x 1.0 10 x 1.5 12 x 1.5 12 x 2.0	300	K033-01049
012	HN 10 TN 12	3/8" / DN 10 12 x 1.0	300	K033-01050
016	HN 13 TN 15 TN 16 TN 16 TN 18 TN 20	1/2" / DN 13 15 x 1.0 16 x 1.0 16 x 1.5 18 x 2.0 20 x 3.0	300	K033-01051
020	HN 16 TN 18 TN 20 TN 20	5/8" / DN 16 18 x 1.0 20 x 1.5 20 x 2.0	100	K033-01052
022	HN 19 TN 20 TN 22 TN 22 TN 22 TN 25	3/4" / DN 20 20 x 1.0 22 x 1.0 22 x 1.5 22 x 2.0 25 x 3.0	100	K033-01053
026	TN 25 TN 28 TN 30	25 x 2.0 28 x 2.0 30 x 4.0	100	K033-01054

EP pellet Ø [mm]	Nozzle	Hose or tube Ø [External Ø x wall thickness]	Packaging unit [items]	Part no.
033	HN 25 TN 30 TN 30 TN 30 TN 32 TN 32 TN 35 TN 38 HN 25	1" / DN 25 30 x 2.0 30 x 2.5 30 x 3.0 32 x 2.0 32 x 3.0 35 x 3.0 38 x 5.0 46 x 8.0	50	K033-01055

HYDRAULIC HOSES

For line and hose mounting refer to the technical guidelines 'RA 9–79 Fabrication of hydraulic pipes and hoses' provided on PALDESK.

High-pressure hose for hydraulic systems – dimensioned under EN 857, however with reduced bend radius, increased operating pressure and reduced dimensional tolerances.

Temperature range: from -46°C to +100°C

Standard: EN 857



- 2SN-K Hydraulic hose with two steel wire braids and reduced external diameter
- SPC2 Hydraulic hose with two steel wire braids
- SPC3 Hydraulic hose with three steel wire braids
- SPC4 Hydraulic hose with four steel wire braids
- Loader crane options HPLS/SHPLS (*/**/***)



Suction hoses

Description	Length [m]	P max [bar]	Internal diameter [mm]	External diameter [mm]	Min. bend radius [mm]	Part no.
NW32 - 1SN	Sold by the meter	63	32.5	42.5	420	EH5248
NW50 - 1SN	Sold by the meter	10	50	60	300	EH11588
NW60 - 1SN	Sold by the meter	10	60	73	240	MX90500-60

Pressure hoses

Description	Length [m]	P max [bar]	Internal diameter [mm]	External diameter [mm]	Min. bend radius [mm]	Part no.
NW06 – 1SN-K	Sold by the meter	290	6.4–6.8	11.7–12.4	40	EH6762
NW06 – 2SN-K	50	450	6.4–6.8	13.0–13.7	45	EH 142_500DM
NW08 – 1SN-K	Sold by the meter	250	8.3	13.7	55	EH13076
NW08 – 2SN-K	50	420	8,0–8,5	14.6–15.4	60	EH15364_500DM
NW10 – 2SN-K	50	385	9.6–10.1	16.6–17.3	70	EH12600_500DM
NW12 – 2SN-K	40	345*	12.7–13.3	20.3–21.0	90	EH12601_400DM
NW16 – SPC 2	30	350**	16.0–16.7	24.1–25.3	200	EH 840_300DM
NW16 – 4SP	Sold by the meter	350	16.4	27.9	250	EH 840
NW20 – SPC3	20	375***	19.1–19.8	30.6–31.6	260	EH10347_200DM
NW20 – 4SP-CR	Sold by the meter	350	18.9–19.8	31.4–32.9	300	EH1143
NW20 – 2SN-K	20	280	19.1–19.7	27.2–28.2	159	EH841_200DM

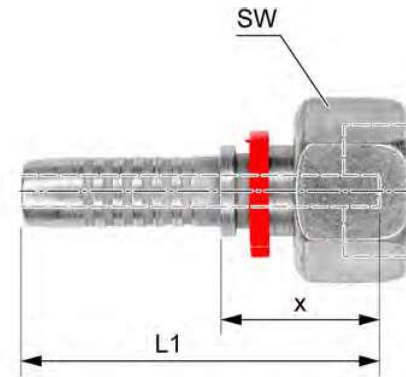
Description	Length [m]	P max [bar]	Internal diameter [mm]	External diameter [mm]	Min. bend radius [mm]	Part no.
NW25 – 2SN-K	20	190	25.5–26.3	35.1–36.3	210	EH1684_200DM
NW25 – 4SP	Sold by the meter	320	16.0–16.7	24.1–25.3	200	EH5247

*HPLS 365/SHPLS 385 BAR

**HPLS 370/SHPLS 385 BAR

***SHPLS 385 BAR

Straight hose fittings with metric thread and 24° taper
ISO 11926-2/3



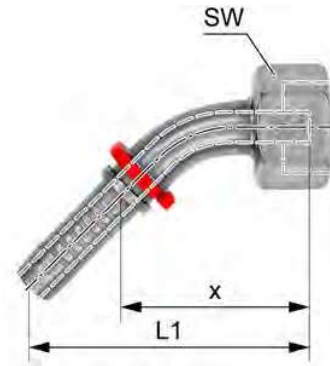
Description	Hose diameter [mm]	X [mm]	L1 [mm]	SW [mm]	Part no.	
					Steel	Stainless steel
06 L	6	20	50	14	EA 429B	EA 429M
08 L	6	24.5	54	17	EA 430B	EA 430M
08 S	6	24.4	54	19	EA 628B	EA 628M
10 L	6	26	56.5	19	EA 788B	EA 788M
10 L	8	26	55.5	19	EA 527B	EA 527M
10 L	10	22.5	56	22	EA2867B	-
10 S	6	26	56	22	EA 299B	EA 299M
12 (L)	10	26	60	22	EA2085B	EA2085BM
12 (L)	12	24	60	22	EA5741B	-
12 S	8	30	56	24	EA 301B	EA 301M
12 S	10	26	60	24	EA 725B	EA 725M
12 S	12	24.5	60	24	EA2289B	-
14 S	10	29.5	63	27	EA 303B	EA 303M
15 (L)	12	25.5	61	27	EA2190B	-
15 (L)	10	30.5	64	27	EA2194B	-
16 S	12	30.5	66	30	EA 305B	EA 305M
18 L	16	28.5	67	32	EA 297B	EA 297M
18 L	20	34	-	32	EA5979C*	-
20 S	16	33.5	72	36	EA 307B	EA 307M
20 S	20	36	-	36	EA5980C*	-
22 L	20	32.7	78.8	36	EA 335B	EA 335M
22 L	20	31	-	36	EA335C*	-
25 S	20	37	83	41	EA1091B	EA1091M
25 S	20	38	-	46	EA6077C*	-

Description	Hose diameter [mm]	X [mm]	L1 [mm]	SW [mm]	Part no. Steel	Part no. Stainless steel
28 L	20	32	78	41	EA1352B	-
28 L	25	33	88	41	EA 309B	EA 309M
30 S	25	40	-	50	EA6079C*	EA2074M
35 L	32	37	94.5	50	EA5944B	EA2070M
38 S	32	-	-	-	EA6648B	-
42 L	38	35.5	98	60	EA5386B	-

* Part numbers that end with the letter C are for EPSILON crane series

Hose fittings 45° with metric thread and 24° taper

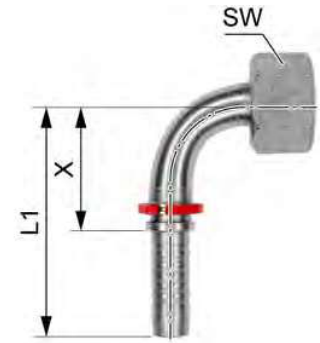
ISO 11926-2/3



Description	Hose diameter [mm]	X [mm]	L1 [mm]	SW [mm]	Part no. Steel	Part no. Stainless steel
08 L	6	36	66	17	EA 432B	-
08 S	6	37.5	67.5	19	EA1856B	-
10 L	6	36	66	19	EA 787B	-
10 L	10	44	77	19	EA2868B	-
10 S	6	41	71	22	EA 735B	-
12 S	8	44.5	74.5	24	EA 541B	EA 541M
12 S	10	47	80.5	24	EA 791B	EA 791M
14 S	10	44.5	77.5	27	EA 543B	EA 543M
15 (L)	12	46	81.5	27	EA2191B	-
15 (L)	10	48	81.5	27	EA2195B	-
16 S	12	50	86	30	EA1370B	EA1370M
18 L	16	52	90	32	EA1371B	-
18 L	20	66	-	32	EA5987C*	-
20 S	16	56	94.5	36	EA1222B	-
20 S	20	64	-	36	EA5991C*	-
22 L	20	68	112.5	41	EA1372B	-
35 L	32	99.5	159	50	EA5942B	-

* Part numbers that end with the letter C are for EPSILON crane series

Hose fittings 90° with metric thread and 24° taper
ISO 11926-2/3



Description	Hose diameter [mm]	X [mm]	L1 [mm]	SW [mm]	Part no. Steel	Part no. Stainless steel
08 L	6	29.5	59.5	17	EA 431B	EA 431M
08 S	6	24	54	19	EA 723B	EA 723M
10 L	6	26.5	56.5	19	EA1030B	EA1030M
10 L	8	31	61	19	EA 772B	EA 772M
10 L	10	38.5	71.5	19	EA2869B	-
10 S	6	32	62	22	EA2365B	EA2365BM
12 (L)	10	36.3	69.6	22	EA2086B	EA2086BM
12 S	8	30.5	60.5	24	EA 645B	EA 645M
12 S	10	38	71.5	24	EA 743B	EA 743M
14 S	10	36.6	69.6	27	EA 655B	EA 655M
15 (L)	12	41	76	27	EA2192B	-
15 (L)	10	37.5	71	27	EA2196B	-
16 S	12	40.5	75.5	30	EA 488B	EA 488M
18 L	16	46	84	32	EA 720B	EA 720M
18 L	20	54	-	32	EA5962C*	-
20 S	16	48	89.5	36	EA 544B	EA 544M
20 S	20	54	-	32	EA5988C*	-
22 L	20	57	103	36	EA 719B	EA 719M
22 L	20	62	-	36	EA 719C*	-
25 S	20	57	102.5	41	EA1322B	EA1322M
25 S	20	54	-	46	EA6086C*	-
28 L	25	72	127	41	EA1220B	EA1220M
30 S	25	70	-	50	-	EA2075M
35 L	32	90.7	151.5	50	EA5941B	EA2071M

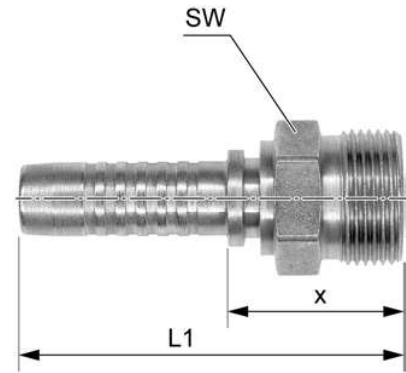
Hose fitting 90° with cap nut (RA - 90°)

Description	Hose diameter [mm]	X [mm]	L1 [mm]	SW [mm]	Part no. Steel	Part no. Stainless steel
38 S	32	-	-	-	EA6649B	-

* Part numbers that end with the letter C are for EPSILON crane series

Straight hose fittings with metric male thread and 24°
inside taper

ISO 11926-2/3



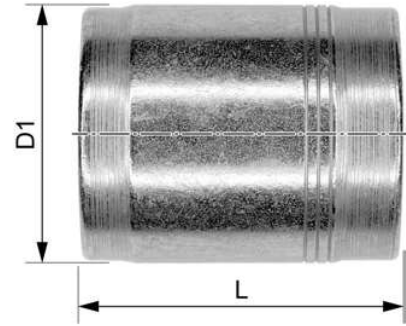
Description	Hose diameter [mm]	X [mm]	L1 [mm]	SW [mm]	Part no. Steel	Part no. Stainless steel
06 L	6	23	-	14	EA6012C*	-
08 L	6	23.5	53.5	14	EA 484B	-
08 S	6	25.5	55.5	17	EA1231B	EA1231M
10 L	6	25.5	55.5	17	EA 650B	EA 650M
10 L	8	24.5	54.5	17	EA 661B	EA 661M
10 L	10	24.5	58	17	EA2882B	-
10 S	6	26.5	56.5	19	EA 732B	EA 732M
12 (L)	10	26	59	22	EA2087B	-
12 (L)	12	24	59.5	22	EA5742B	-
12 S	8	27.5	57.5	22	EA 300B	EA 300M
12 S	10	27.5	61	22	EA 295B	EA 295M
12 S	12	28	63.5	22	EA2290B	-
14 S	10	29.5	63	22	EA 302B	EA 302M
14 S	12	30	65.5	22	HLA 728B	-
15 (L)	10	27	61	22	EA2193B	-
15 (L)	12	28	63.5	22	EA1825B	-
16 S	12	30	65.5	24	EA 304B	EA 304M
18 L	16	29	67.5	27	EA 322B	EA 322M
18 L	20	29	-	27	EA5990C*	-
20 S	16	34	72.5	30	EA 306B	EA 306M
20 S	20	33	-	30	EA5985C*	-
22 L	20	32.5	78.5	30	EA 333B	EA 333M
22 L	20	54	-	36	EA 333C*	-
25 S	20	37.5	83.5	36	EA1092B	EA1092M

Description	Hose diameter [mm]	X [mm]	L1 [mm]	SW [mm]	Part no. Steel	Part no. Stainless steel
25 S	20	37	-	36	EA6078C*	-
28 L	25	34.5	89.5	36	EA 308B	EA 308M
30 S	25	43	-	46	EA6080C*	EA2076M
35 L	32	39.5	99.5	46	EA5943B	-
38 S	32	47.5	107.5	55	EA6650B	-
42 L	38	43	110	55	EA5388B	-

* Part numbers that end with the letter C are for EPSILON crane series

Press fittings for braided and spiral hoses according to EN 853, EN 854, EN 857 and EN 856

When you order make sure that the last letters of the part numbers of press and hose fittings are identical.



Description	Hose diameter [mm]	D1 [mm]	L [mm]	Part no. for peeled hose	Part no. for peeled hose / Marine
Non-skive press fitting	6/single-layer	20	31	EA2283B	-
Skive press fitting	6/2-layer	22	34	EA 748B	EA 748M
Non-skive press fitting	8/single-layer	20.6	31	EA6096B	-
Skive press fitting	8/2-layer	23	31	EA 311B	EA 311M
Skive press fitting	10/2-layer	25	35	EA 312B	EA 312M
Skive press fitting	12/2-layer	28	37	EA 313B	EA 313M
Skive press fitting	16/2-layer	33	40	EA 314B	EA 314M
Skive press fitting	20 SPC /3-layer	36	45	EA 334B	EA 334M
Skive press fitting	20/4-layer	36	45	EA6039C*	EA 781M
Skive press fitting	20/2-layer	45	50	EA 334B	EA 334M
Skive press fitting	25/2-layer	45	50	EA 315B	EA 315M
Skive press fitting	25/4-layer	45	50	EA6043C*	EA2077M
Skive press fitting	32/single-layer	47	57	EA5940B	EA2073M

* Part numbers that end with the letter C are for EPSILON crane series

** The last letters of the part numbers of press fittings and other fittings must be identical.

CLOSURES



Closures

Shrink capsules for dust-free and safe sealing of finished hydraulic hoses and pipes



Size	Packaging unit [items]	Part no.
25 / 30	1000	W10011951
32 / 25	1000	W10011952
36.5 / 40	1000	W10011953
48 / 55	1000	W10011954

Protective caps for hexagon profiles to cover screws and closed pipes



\emptyset [SW]	Packaging unit [items]	Part no.
22	1	EK 910
24	1000	EK 911
30	100	EK 912

Transparent cylindrical protective cap for dust-free sealing of finished hydraulic hoses



\varnothing [mm]	Packaging unit [items]	Part no.
16	100	EK1018
20	1000	EK 329
22	1000	EK 330
23	1000	EK 334
30	1000	EK 335
36	1000	EK 336

Quick-assembly pull-tab plugs for perfectly fitting and tight sealing of hydraulic hoses and pipes thanks to a flexible lamella

The reinforced grab handle allows the plug to be turned in and out quickly and easily.



\varnothing [mm]	Packaging unit [items]	Part no.
13	1000	W10011280
16	1000	W10011022
21	1000	W10011023
23	1000	W10011024
30	1000	W10011281

Cover plugs with lamellas serve to seal holes and prevent the penetration of dust and moisture. They are made of high-quality UV-stabilized plastic and suitable for outdoor use.



Description	Ø [mm]	Packaging unit [items]	Part no.
Cover plugs	05	100	EK 583
Cover plugs	07	100	EK1215
Lamellar plugs	07–09	100	EK 574
Lamellar plugs	09–11	100	EK 575
Lamellar plugs	12–14	100	EK 577
Lamellar plugs	14–16	10	EK 578
Lamellar plugs	20–22	100	EK 581
Lamellar plugs	24–26	100	EK 885