

Spare Parts Catalogue

Hydraulic crane

PK 7501

(S105A)

Valid for serial number

100034605

First Edition: 12/2005

Edition: 11/2021

EN

PALFINGER AG
Lamprechtshausener Bundesstraße 8
5101 Bergheim / Austria
www.palfinger.com

Preface

This catalogue of spare parts is based on latest stages of product design and development.

If you have maintained and serviced the technically matured equipment purchased from us in accordance with our instructions, there will scarcely be any need to consult this spares catalogue.

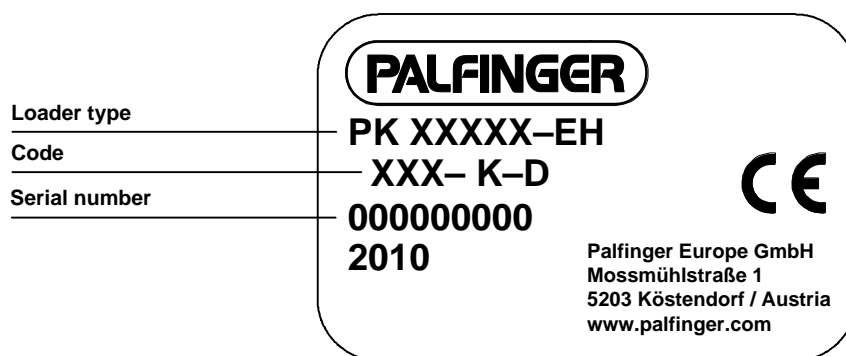
Should, in spite of this, the occasion arise to order spares, we would kindly ask you to state precise details as given in the catalogue, (please refer to "INFORMATION ON THE ORDERING OF SPARE PARTS") so as to avoid confusion.

We reserve the right to make design modifications.

Information on the ordering of spare parts

To supply you with the correct parts in the shortest possible time it is necessary to inform us about following details:

- Loader type, code and serial number (look identification plate)
- Spare parts number
- Required quantity of spare parts



(-->123456789) Valid to crane number			
(123456789-->) Valid from crane number			
(1-16)	consists out of position 1-16		
(+20)	with position 20		
Page-A	Control valve side		
Page-B	Counter control side		
ABST	Support	R	without extension box
		R0	One side extension box
		R1	Both side extension box
		R2	Both side extension box - extended
		R3	Extension box telescopic
		R4	Both side extension box - extended
		R.X	Both side extension box - hydraulic
		SR.	Support controllable from top seat
DPS+	Dual Power System Plus	FFST	Radio remote control
FERN	Remote control	PALF20	PALFINGER-PALCOM
FERT	Type - remote control	P2	PALFINGER-SCANRECO
		BMS2	HETRONIC
		P3	with display
GGSR	Control (reverse acting)	LKW	Mounting LKW
GRA	Type - crane Base	SAT	Semi-trailer installation
		EGG	Integrated base
HEC	Rear-stabilizer	HSTZY	Tiltable stabilizer
HEM	Rear module	HEM900	Rear module +900
HKONS	Top seat FFST	HK001	Standard seat
		HK002	Tiltable seat
		HK003	Seat with heater
		HK004	Folding seat with heater
HOST	Top seat - control	KL0	Linear lever control
		KK1	Cross lever control
HPLS	High Power Lifting System	EHPLS	High Power Lifting System
		SHPLS	Super High Power Lifting System
HSITZ	Top seat - standard	HS005	Tiltable seat
		HS012	Standard seat
HYA,PJHY	Hydraulic extensions	()	Configuration with one hydraulic extension boom
		A	Crane with 2 hydraulic extension booms
		B	Crane with 3 hydraulic extension booms
		C	Crane with 4 hydraulic extension booms
		D	Crane with 5 hydraulic extension booms
		E	Crane with 6 hydraulic extension booms
		F	Crane with 7 hydraulic extension booms
		G	Crane with 8 hydraulic extension booms
		H	Crane with 9 hydraulic extension booms
IKONS	Standing platform FFST	IK002	without IS001, with IG001
		IK004	with IS001,IG001
		IK006	with IS002,IG001
IG	Railing	IG001	3 port
		IG002	2 port
IS	Limitation of rotation (I)	IS001	Limitation of rotation over (I)
		IS002	Limitation of rotation, main boom over (I)
		IS003	Limitation of rotation over (FL)
ISC	Integrated Stability Control	ISC01	Support control +SHB
		HPSC	High Performance Stability Control
LHA	Crane hook	LHA03	25t with sleeve bearing
		LHA04	8t with sleeve bearing
		LHA06	15t with sleeve bearing
		LHA08	5,4t with sleeve bearing
		LHA09	11t with roller bearing
		LHA12	8t with roller bearing

Signs and symbols

LHV	Load holding valve	LHV...	see page 0.22
NOTAB	Emergency lowering device	NOT01	(NOTAB) Lifting cylinder
O	Overload protection	OSK	with lock cylinder
OELKU	Oil cooler	ÖLK01	Oil cooler 8.5kW mounted
		ÖLK02	Oil cooler 10.5kW, loose
		ÖLK03	Oil cooler 8.5kW, loose
		ÖLK04	Oil cooler 20kW mounted
		ÖLK05	Oil cooler 20kW, loose
		ÖLK07	Oil cooler 10.5kW mounted
		PT050	Paltronic 50
		PT150	Paltronic 150
PAL	Paltronic		
PJ	Fly-Jib		
PJHY	Hydraulic extensions	see (HYA)	
PJKSL	Hose-equipment (PJ)	J02	1 Auxiliary equipment
		J04	Auxiliary equipments2
PJV	Extension	see (V)	
PUMPE	Type - pump	PU002	Fixed displacement pump
		PU003	Variable displacement pump
RODRU	Rotator (...bar)		
S	Rope winch	SHE	with limiting switch - main boom
		SK	without limiting switch - outer boom
		SKE	with limiting switch - outer boom
		SHEK	Power link rope winch (hydraulic tiltable at main boom)
		GR__	Limit of rotation __ degree
SCH	Slew limitation	SHB01	with one pressure range
SHB	Slew angle dependent capacity limitation	SHB07	with 2 pressure ranges + jumper
		MULT11	Quick-coupling, crane
SKUPP	Quick-coupling Multifaster	MULT12	Quick-coupling,(PJ)
		MULT13	Quick-coupling, crane+(PJ)
SL	Hose-equipment	2	1 Auxiliary equipment - hose tray
		4	2 Auxiliary equipment - hose tray
		T2	1 Auxiliary equipment - hose drum
		T4	2 Auxiliary equipment - hose drum
		T2i	1 Auxiliary equipment - hose drum (inside)
		T4i	2 Auxiliary equipment - hose drum (inside)
SLVO	Preparation (SL)	VSL2	Preparation (SL) 1 auxiliary equipment
		VSL4	Preparation (SL) 2 auxiliary equipment
SONSL	Control valve section (SL)	SSZD	Brick grab Germany
		SSZT	Brick grab + deadman push button
		SCSTD	Type Scandinavian
SOSTZ	Stabilizer ram	STÜ01	Stabilizer ram -150 mm
		STÜ02	Stabilizer ram +100 mm
		STÜ03	Stabilizer ram -100 mm
STEIL	Boom angle monitoring system	STEIL1	Boom angle monitoring system
		STEIL2	Monitoring the steep position (PJ)
STG	Control - support	FL	Control valve - support
		FLZUS	Control valve - auxiliary support
		FFST4	remote controlled (4-elements)
		FFST8	remote controlled (8-elements)
		FFST12	remote controlled (12-elements)
		FFST14	remote controlled (14-elements)
STGA	Control - crane	FL	Floor control
		I	High stand platform
		H	Top seat
		NK	Emergency control - crane column
		NK2K	Emergency control - crane column, double circuit
STRAN	Rope winch, strand	1	1 strand
		2	2 strand
		4	4 strand
STT	Stabilizer plates	STD	Standard
STU	Hour meter	__	Extension __mm

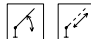
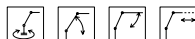

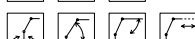
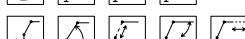
STZ	Stabilizer ram	STZO	Type without support
		STZS3	Stabilizer ram - rigid
		STZY3	Stabilizer ram - slewable
		STZY	Hydraulically tiltable stabilizer cylinder
		STZS3Y	Page-A=(STZS3) B=(STZY3)
		STZYS3	Page-A=(STZY3) B=(STZS3)
SWERK	Slewing system	1GETR	1-Slewing gear
SWK	Max. rope winch capacity:	2GETR	2-Slewing gear
TKKR	Crane tank	1,5 - 4,5	1,5t - 4,5t
TKLO	Auxiliary tank	TL__	Oil tank__l
TOT	Dead center	TOWI	Dead center over balance
		TOQU	Dead center over transverse spar
		SE	continuous
TRANS	Transport position monitoring	TRAN1	Armrest
		TRAN2	Main boom - horizontal level
		DN46	DINOIL DN46
TSCH,TSTB	Control valve	M4-12	REXROTH M4-12
		PVG32	DANFOSS PVG32
		RS210	NORDHYDRAULIK RS210
		RS220	NORDHYDRAULIK RS220
		RSQ240	NORDHYDRAULIK RSQ240
		SDM081	WALVOIL SDM081
		VDM07	SALAMI VDM07
V,PJV	Extension	V1()	1 Extension by (HYA ())
		V1A	1 Extension by (HYA A)
		V1B	1 Extension by (HYA B)
		V1C	1 Extension by (HYA C)
		V1D	1 Extension by (HYA D)
		V1E	1 Extension by (HYA E)
		V1F	1 Extension by (HYA F)
		V1G	1 Extension by (HYA G)
		V1H	1 Extension by (HYA H)
		V2()	2 Extensions by (HYA ())
		V2A	2 Extensions by (HYA A)
		V2B	2 Extensions by (HYA B)
		V2C	2 Extensions by (HYA C)
		V2D	2 Extensions by (HYA D)
		V2E	2 Extensions by (HYA E)
		V2F	2 Extensions by (HYA F)
		V2G	2 Extensions by (HYA G)
		V2H	2 Extensions by (HYA H)
		V3()	3 Extensions by (HYA ())
		V3A	3 Extensions by (HYA A)
		V3B	3 Extensions by (HYA B)
		V3C	3 Extensions by (HYA C)
		V3D	3 Extensions by (HYA D)
		V3E	3 Extensions by (HYA E)
		V3F	3 Extensions by (HYA F)
		V3G	3 Extensions by (HYA G)
		V3H	3 Extensions by (HYA H)
LHV	Load holding valve	LHV14	
		LHV18	
		LHV19	
		LHV28	 Double-acting load holding valve
		LHV34	

Table of Contents

Page	
0	PREFACE
0.02	Preface-EN
0.20	Signs and symbols
0.21	Signs and symbols
0.22	Signs and symbols
010	BASE
010.0100	Base
010.0101	Catcher
010.0102	Brackets
010.0200	Slewing system
010.0300	Pipes-Lube system
010.0400	Pipes-Control F,H
010.0500	Pipes-Control F,H
010.0600	Pipes-Control RC
010.0700	Extension box-R1
010.0800	Extension box-R2
010.0900	Pipes-R1,R2
010.0901	Pipes-R1,R2
010.1000	Extension box-R2X
010.1100	Extension box-R3X
010.1200	Extension cylinder-R2X,R3X
010.1201	Extension cylinder-R2X,R3X
010.1300	Pipes-R2X,R3X
010.1400	Stabilizer ram-STZS
010.1500	Pipes-Support STZS
010.1600	Pipes-Support STZS
010.1700	Stabilizer ram-STZY
010.1800	Pipes-Support STZY
010.1900	Pipes-Support STZY
010.2000	Oil cooler + Öltank
010.2100	Stabilizer ram-STZS
010.2200	Pipes-Support STZS
010.2300	Pipes-Support STZS
020	CONTROL SYSTEM
020.0100	Control valve-stabil.
020.0200	Control valve-F
020.0300	Control valve-F,H-KL0
020.0400	Control valve RSQ 240 RC
020.0500	Control valve-RC001
020.0600	Control system
030	OVERLOAD PROTECTION
030.0100	Overload protection-OSK-F
030.0200	Overload protection-OSK-H
030.0300	Overload protection-OSK-RC

Page	
030.0400	Slew limitation
030.0500	Transport position monitoring
030.0600	Stabilizer monitoring
040	CRANE COLUMN
040.0100	Crane column
040.0200	Lifting cylinder
040.0300	Pipes-Lifting cylinder
040.0400	Pipes-Lifting cylinder
040.0500	Top seat
050	MAIN BOOM
050.0100	Main boom
050.0200	Pipes-Outer boom ram
060	OUTER BOOM
060.0100	Outer boom
070	BOOM EXTENSIONS
070.0100	Boom extension 1
070.0200	Boom extension 2
070.0300	Boom extension 3
070.0400	Boom extension 4
070.0500	Boom extension 5
070.0600	Extension boom cylinders 1-5
070.0601	Extension boom cylinders 1-5
070.0700	Pipes-Boom extens.ram
070.0800	Pipes-Boom extens.ram
070.0900	Pipes-Boom extens.ram
070.1000	Hose trays
070.1100	Pipes-Hose guide
080	MAN. BOOM EXTENSIONS
080.0100	Man. boom extensions
090	ROPE WINCH
090.0100	Rope winch-S
090.0101	Rope winch-S
090.0200	Pipes-Rope winch S
090.0201	Pipes-Rope winch S
090.0300	Guide pulley,trolley head
100	MISCELLANEOUS
100.0100	Miscellaneous
100.0200	Decals
AB01	CONTROL VALVE

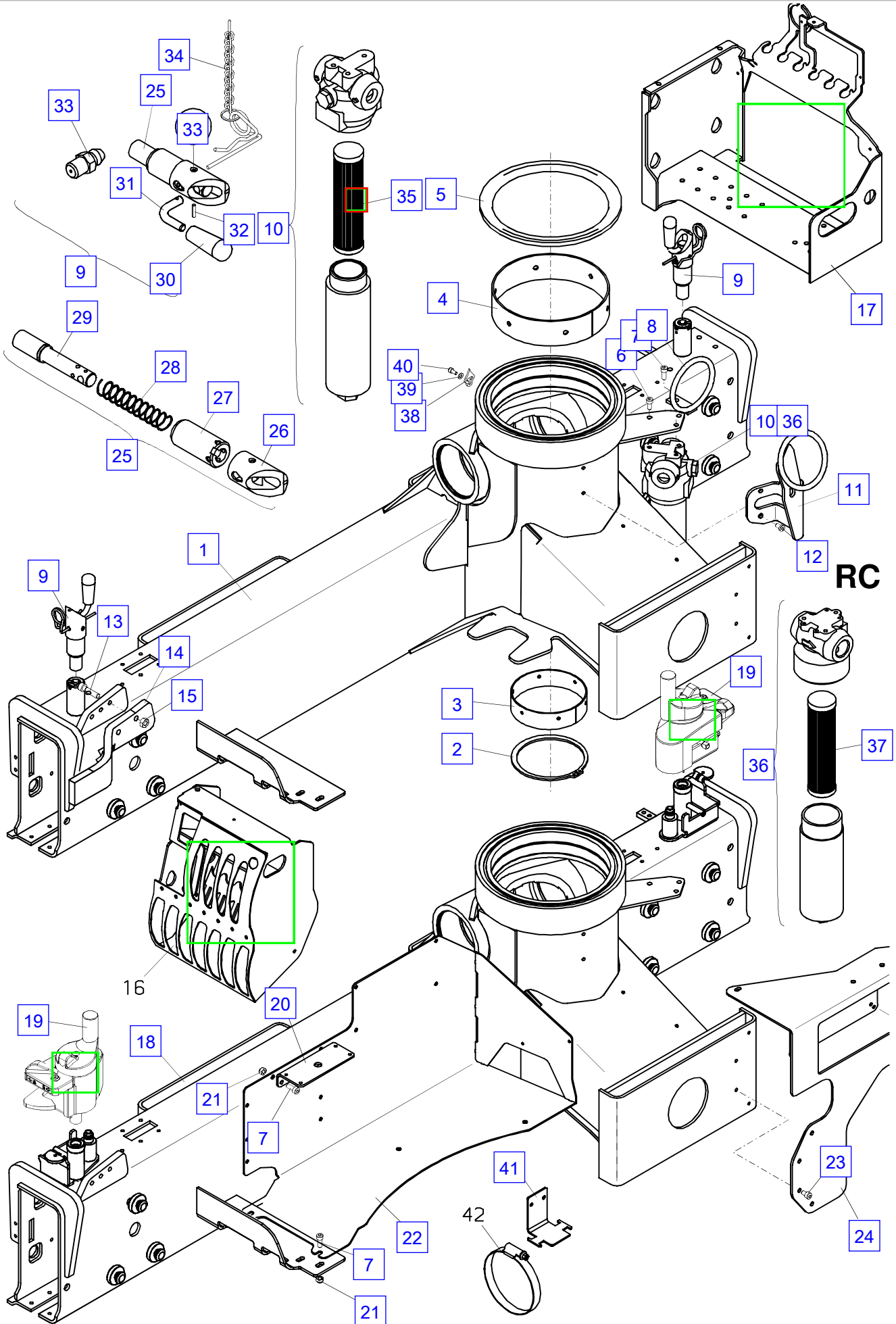
Table of Contents

Page	
010	CONTROL VALVE - SUPPORT
010.0100	Control valve VDM07
AB04	ELECTRICAL PARTS
010	BASIC ELEMENT
010.0100	Housing - PG
010.0200	Housing - (mm) 1
010.0300	Housing - (mm) 2
010.0400	Switch
010.0500	Electrical parts
020	MISCELLANEOUS
020.0100	Fitting
020.0200	Plug - auxiliary equipment
030	ELECTRICAL PARTS
030.0100	Basic element
030.0200	Control unit, cpl.
030.0300	Valve casing, cpl.
030.0400	Accessories (1)
030.0500	Accessories (2)
040	DECALS
040.0100	Decals (1)
040.0200	Decals (2)
040.0300	Decals (3)
050	WORKING LIGHT
050.0100	Working light

This page is intentionally left blank

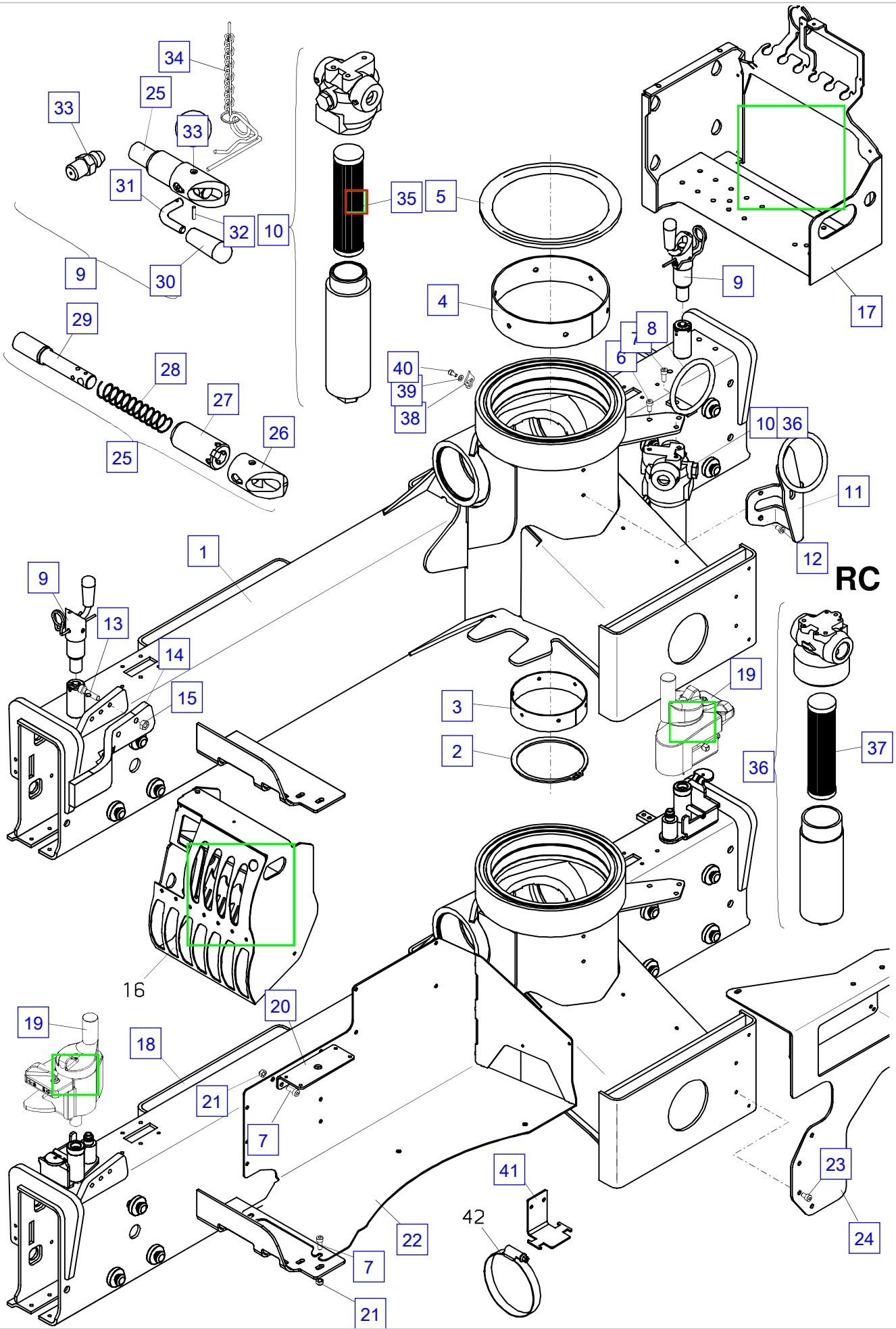
Base

No.	Spare part	Qty.	Description	Dimension
1	S106G01-A	1	Base	
2	EQ 189	1	Circlip	D 140 DIN 471
3	HT6218	1	Bearing	3,0 mm
3	HT6749	1	Bearing	3,1 mm
3	HT6750	1	Bearing	3,2 mm
3	HT6751	1	Bearing	3,3 mm
4	HT6217	1	Bearing	3,0 mm
4	HT6758	1	Bearing	3,1 mm
4	HT6759	1	Bearing	3,2 mm
4	HT6760	1	Bearing	3,3 mm
5	HBK 129	1	Bearing ring	
6	ES 264	3	Screw	M8x16 ISO4762- 8.8
7	ES 265	5	Screw	M 8x20 ISO4762- 8.8
8	HXL 020	1	Hose ring (H)	d=100 mm
9	HXV 407	2	Lever cpl. (R1,R2)	
10	EA1391	1	High pressure filter	
	TD 513	1	Seal kit	
	EA1392	1	Filter element	
	BZ204S	1	Filter element, cpl.	
11	HXE1863	1	Bracket	
12	ES1082	2	Screw	M 8x12 DIN 7984 8.8
13	ES1172	4	Screw	M 10x40 DIN 912
14	HXE2022	1	Armrest	
15	EM 006	4	Nut	DIN 934 M10 CL8 ZB
16	HXE1794	1	Bracket	
17	HXE2213	1	Bracket	
18	S106G04-A	1	Base	
19	KMG00...A	2	Latch housing, cpl. (page 020.0200) (look KMG00303A)	
20	HA5934	1	Bracket	RC400
21	EM 026	4	Nut	M 8 DIN 985
22	HXE1860	1	Bracket	RC
22	HXE1860A	1	Bracket (RC400-P2,BMS-2)	
23	ES 374	4	Screw	M 8x12 ISO4762- 8.8
24	HXE1796	1	Bracket	PALTRONIC
25	HXV 398	1	Latch housing, cpl.	
26	HX 463	1	Bushing	
27	HBA 096	1	Bushing	
28	EF 081	1	Pressure spring	D 20,5x1,5x115
29	HI 916	1	Pin	
30	EZ 253	1	Handle	
31	HA2210	1	Pin	
32	EQ 299	1	Adapter sleeve	D 4x18 DIN 1481
33	EA 412	1	Grease nipple	M 6x1 H1 71412
34	HXS 021	1	Safety chain	
35	EA1392	1	Filter element	
	BZ204S	0	Filter element, cpl. (page 100.0100)	
36	EA2168	1	High pressure filter	
36	EA2169	1	Filter element	
36	TD1553	1	Seal kit	
37	EA2169	1	Filter element	
38	HT7778	1	Folding arrow	
39	EK 190	1	Washer	DIN134-06-ST
40	ES1150	1	Screw	M 6x12 - 8.8 - ISO4762



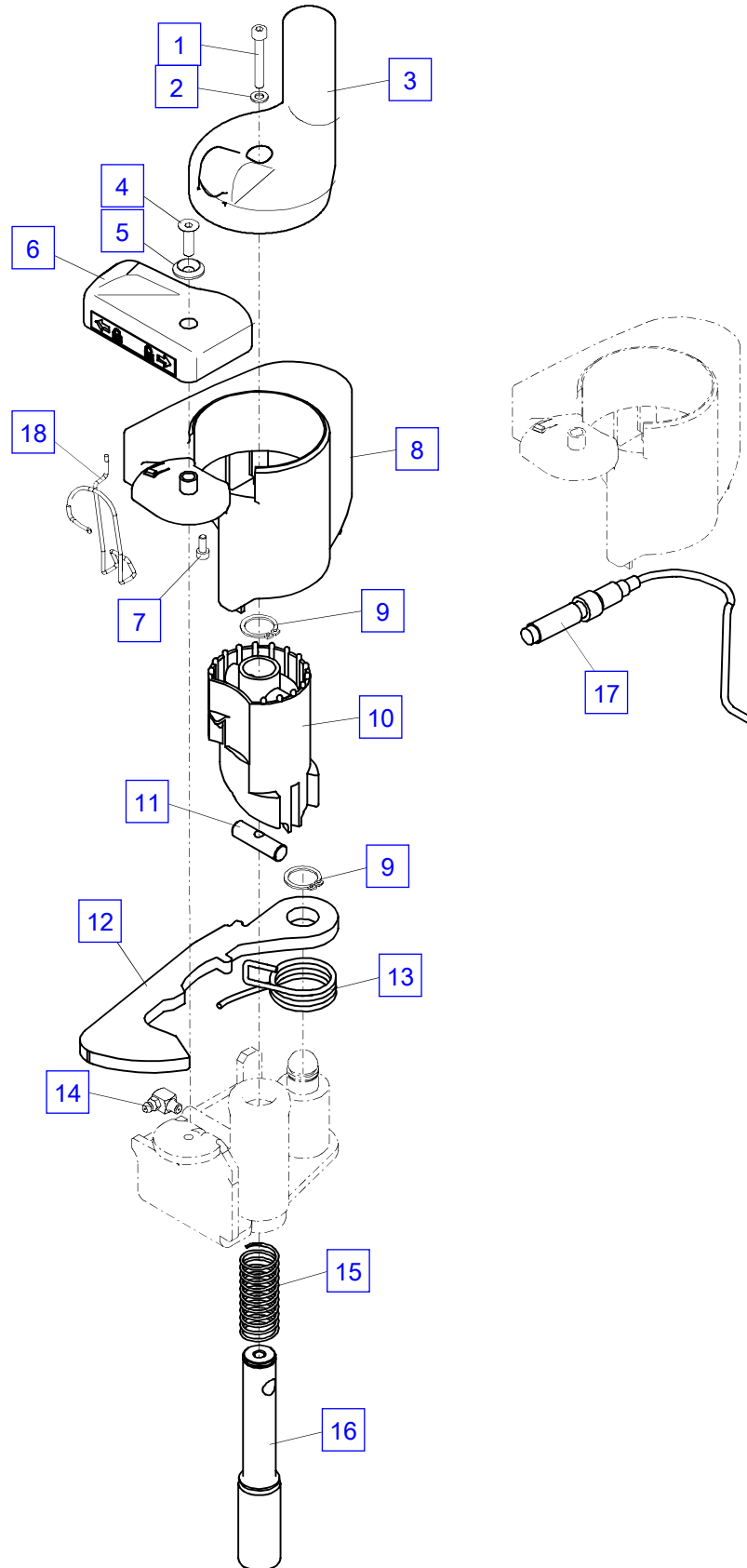
Base

No.	Spare part	Qty.	Description	Dimension
41	HA7841	1	Bearer	
42	EQ 007	2	Hose clamp	D 110-130



Catcher

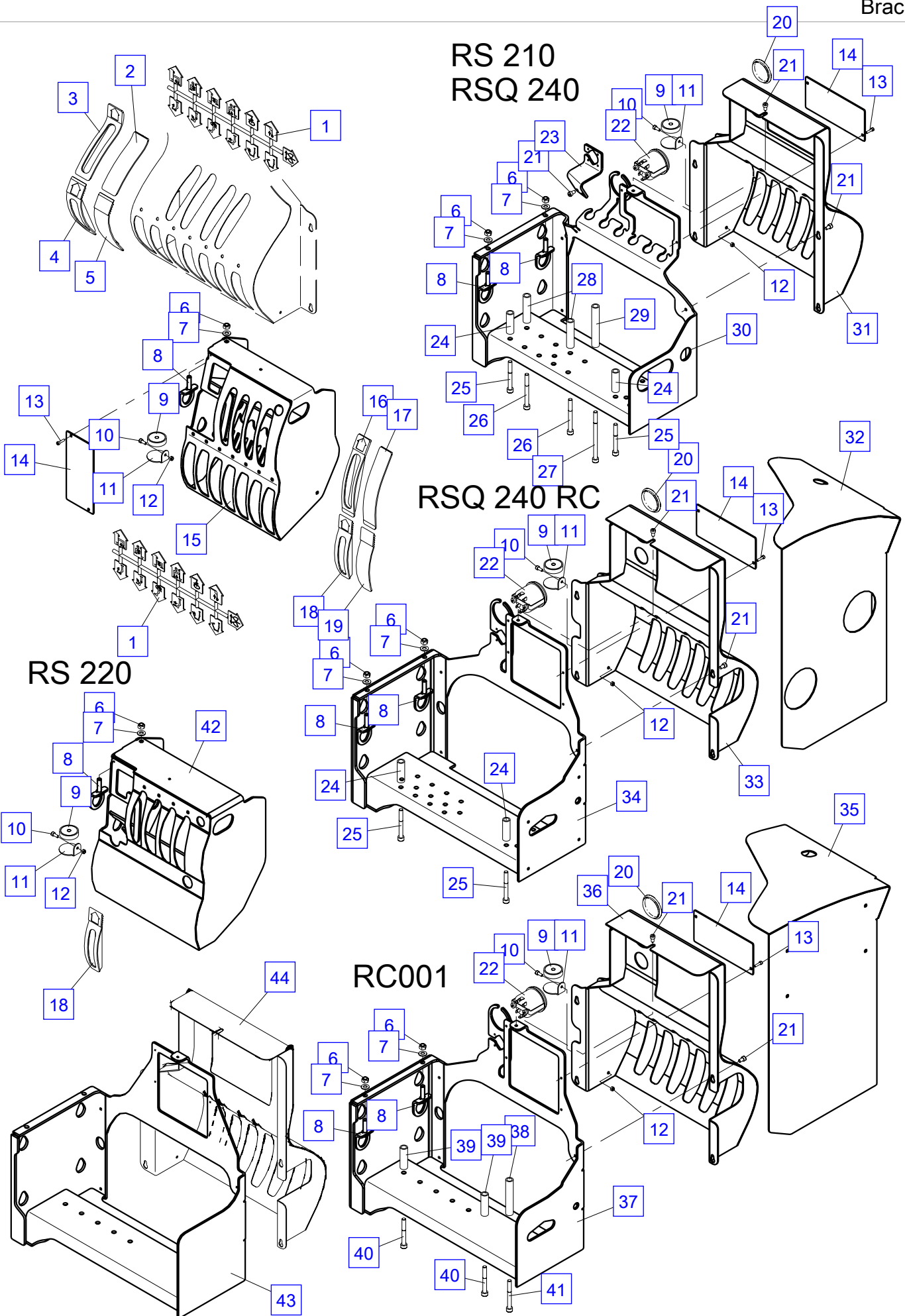
No.	Spare part	Qty.	Description	Dimension
1	ES 291	1	Screw	M 5x35 ISO4762- 8.8
2	EK 153	1	Washer	DIN134-05-ST
3	EK1072	1	Handle	
4	ES1329	1	Screw	M6x20 ISO14581- 8.8
5	EK 567	1	Washer	D 6
6	EK1071	1	Cover	
7	ES 451	1	Screw	3.9x9.5 DIN 968
8	EK1073	1	Cover	
9	EQ 352	2	Circlip	D 18 DIN 471
10	EK1033	1	Bracket	
11	HI7209	1	Pin	
12	HT6976	1	Safety plate	
13	EF 168	1	Spring	
14	EA1240	1	Grease nipple	M 6x1 H3 71412
15	EF 081	1	Pressure spring	D 20,5x1,5x115
16	HI3064	1	Pin	
17	EEA4020	1	Sensor Closer	M 12x1 - M 12x1
18	EF 199	1	Spring	



Brackets

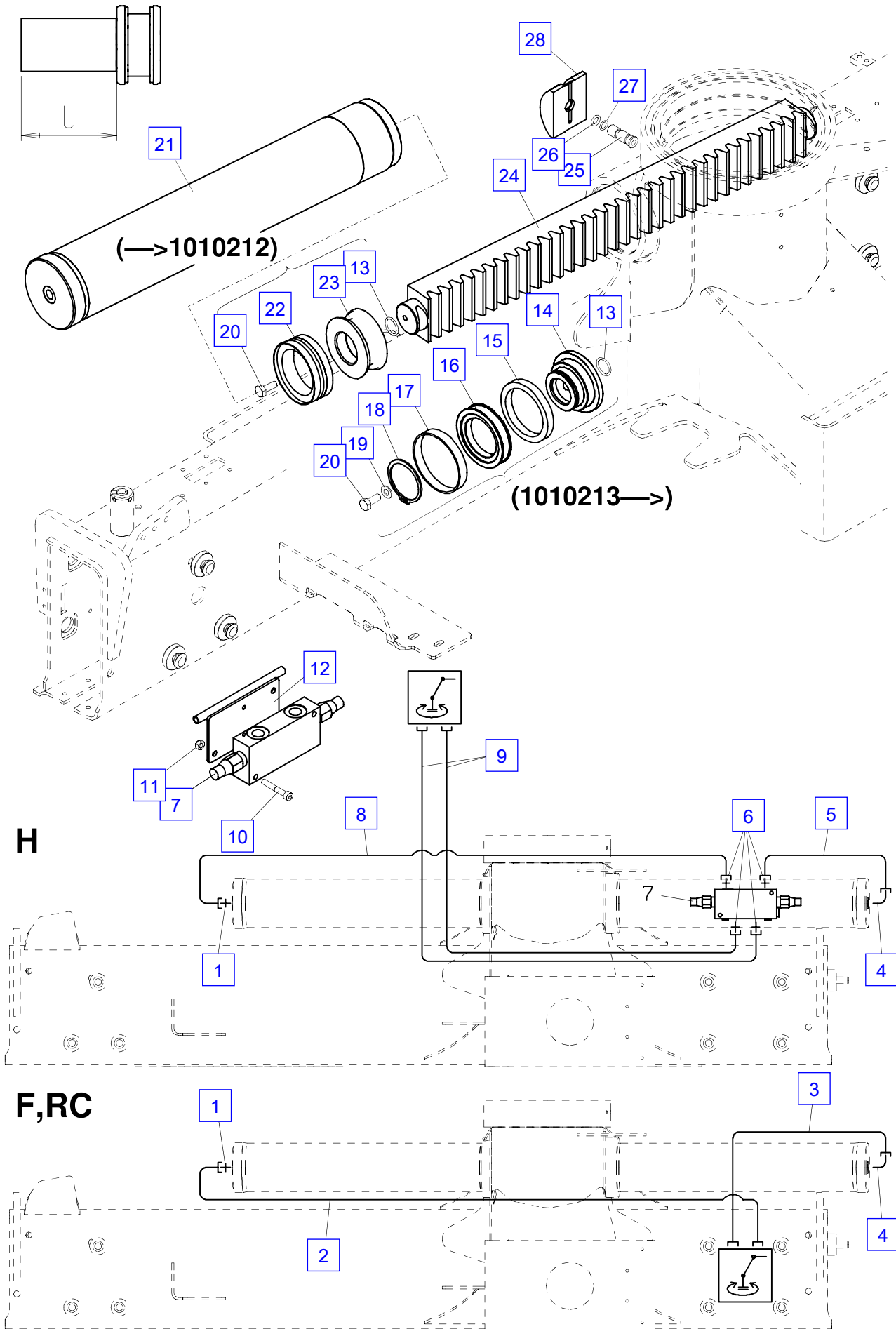
No.	Spare part	Qty.	Description	Dimension
1	EK 898	0	Control decal	
2	EK 894	0	Cover	
3	EK 893	0	Frame	
4	EK 889	0	Frame	
5	EK 890	0	Cover	
6	EM 026	0	Nut	M 8 DIN 985
7	EK 003	0	Washer	D 8.4 ISO7089
8	HXE1684	0	Bearer	
9	EK 756	0	Inclinometer	
10	ES 061	0	Screw	M 5x12 ISO4762- 8.8
11	HA3962	0	Bearer	
12	EM 040	0	Nut	DIN985-8 M5
13	ES 393	0	Screw	M 4x10 DIN 84
14	HT6718	0	Cover plate	L0175.1xB0080.0xS002
15	HXE1794	1	Bracket	
16	EK 895	0	Frame	
17	EK 896	0	Cover	
18	EK 891	0	Frame	
19	EK 892	0	Cover	
20	EK1031	0	Cover	
21	ES 414	0	Screw	M6x10 ISO4762 - 8.8
22	EEA3427	0	Hour meter	
23	HA7465	1	Bearer	
24	HBS1819	0	Spacer	l=50 mm
25	ES1157	0	Screw	M8x70 DIN 912
26	ES1159	0	Screw	M 8x80 ISO4762- 8.8
27	ES1165	1	Screw	M 8x120 DIN 912
28	HBS2786	2	Spacer	l=66 mm
29	HBS2783	1	Spacer	l=101 mm
30	HXE2213	1	Bracket	
31	HXE2212	1	Bracket	
32	HXE2044	1	Cover	
33	HXE2675	1	Valve bracket	
33	HXE 223	1	Valve bracket	
34	HXE2676	1	Valve bracket	
35	HXE2045	1	Cover	
36	HXE2210	1	Bracket	RC001
37	HXE2211	1	Bracket	RC001
38	HBS2887	1	Spacer	L=87 mm
39	HBS2886	0	Spacer	L=52 mm
40	ES1155	0	Screw	M 8x65 ISO4762- 8.8
41	ES1161	1	Screw	M 8x100 ISO4762- 8.8
42	HXE 218	1	Bracket	
43	HXE1821	1	Bracket	RC001
44	HXE1822	1	Bracket	RC001

Brackets



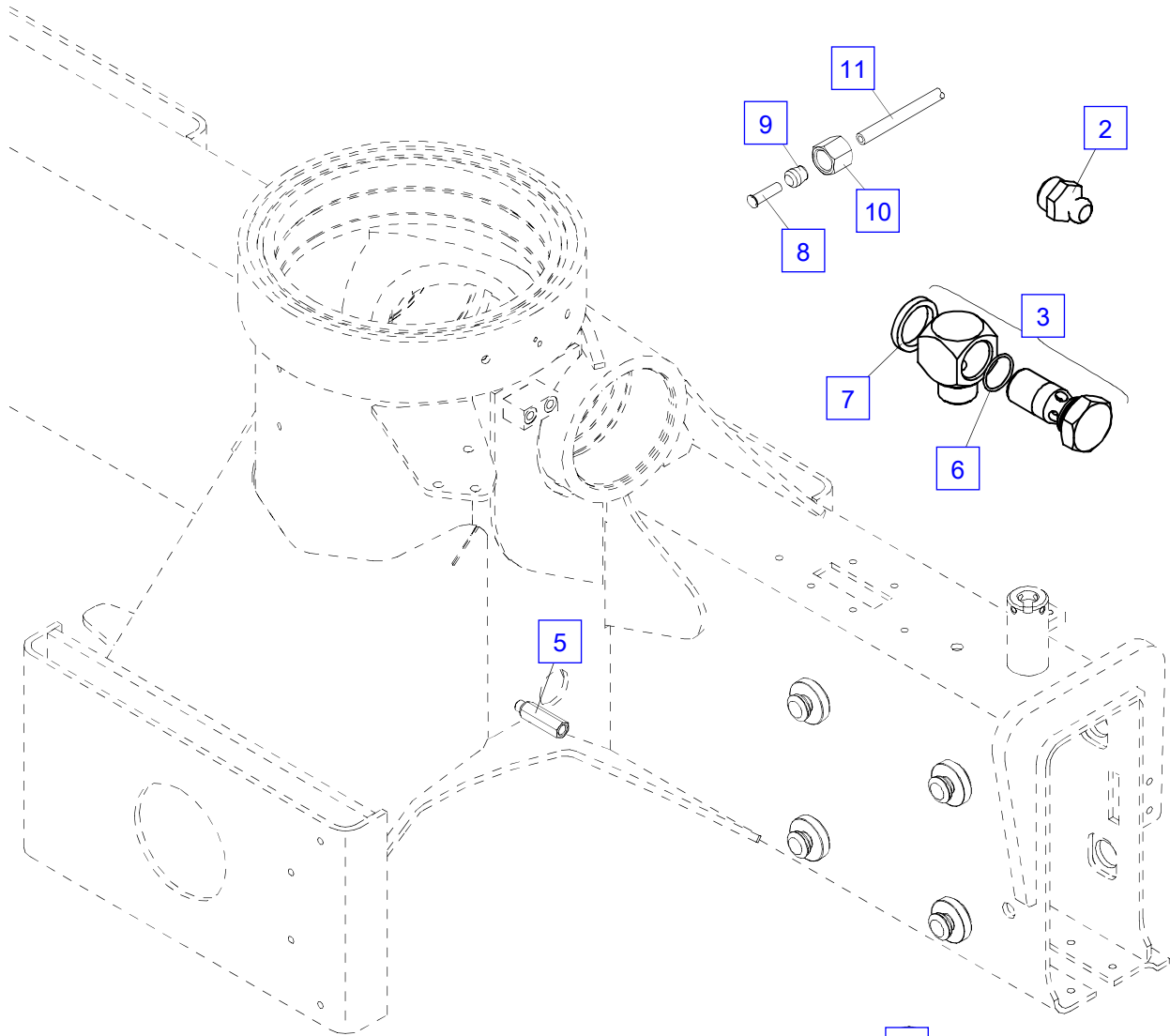
Slewing system

No.	Spare part	Qty.	Description	Dimension
1	EA 039	1	Fitting	GE 12S R3/8"-ED
2	HLR 8769	1	Pipe (F)	D 12
2	HLR12400	1	Pipe (RSQ 240 RC)	D 12
2	HLR 8866	1	Pipe (RC001)	D 12
3	HLR 8768	1	Pipe (F)	D 12
3	HLR12401	1	Pipe (RSQ 240 RC)	D 12
3	HLR 8865	1	Pipe (RC001)	D 12
4	EA1749	1	Adaptor	WEE 12S 3/8"
5	HLR 8791	1	Pipe	D 12
6	EA 183	4	Fitting	GE 12S R1/2"-ED
7	EV5037-160	1	Load holding valve	160 bar
	TD1001	1	Seal kit	
8	HLR 8792	1	Pipe	D 12
9	EH4902	2	Pressure hose	NW 8x2950
10	ES 432	2	Screw	M 8x50 ISO4762- 8.8
11	EM 026	2	Nut	M 8 DIN 985
12	HXE 509	1	Bracket	
13	EO 035	2	O-ring	D 24,2x3
14	HK 652	2	Piston	L= 42mm
14	HK 670	2	Limit of rotation 190 degree (190 degree)	l=154 mm
14	HK 671	2	Limit of rotation 210 degree (210 degree)	l=139 mm
15	ED1228	2	Seal ring	100x80x12.5 mm
16	HK 653	2	Piston	
17	EG 111	2	Guide ring	100x95x14.8 mm
18	EQ 132	2	Circlip	DIN 471 65X2,5 OT
19	EK 007	2	Washer	D 10.5 ISO7089
20	ES1444	2	Screw	M10x1x25 DIN 961
21	HY1392A+00001	2	Cylinder tube (Standard colour RAL 2002)	
22	ED 064	2	Piston seal	
23	HK 064	2	Piston	
23	HXE1918	2	Slew limitation (200 degree)	l=147.5 mm
23	SK458-4002	2	Slew limitation (250 degree)	l=110.5 mm
24	HZS 089	1	Rack	
25	HIG 228	1	Grease tube	D016.0xL0055.0
26	EO 130	1	O-ring	D 11x3,5
27	EO 027	1	O-ring	D 11,3x2,4
28	EZ1208	1	Guide block	

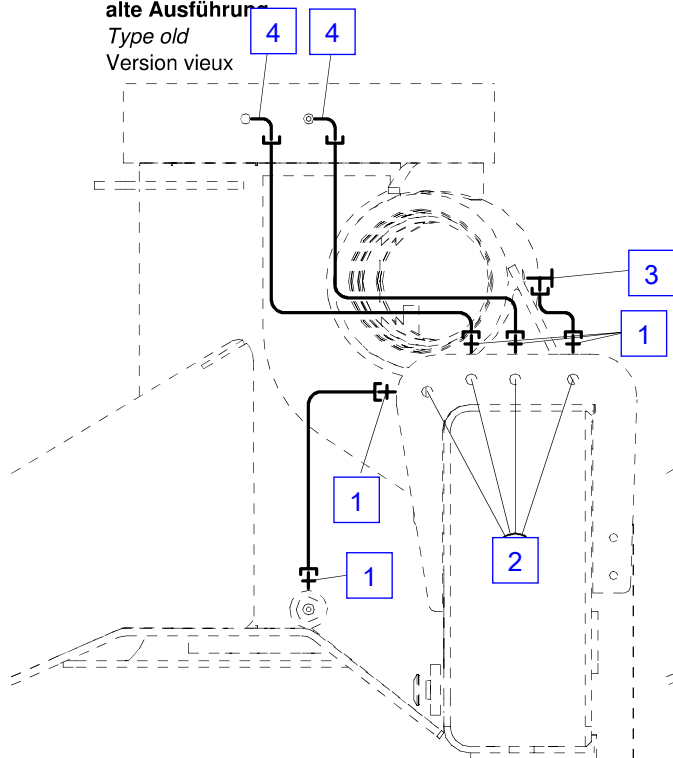


Pipes-Lube system

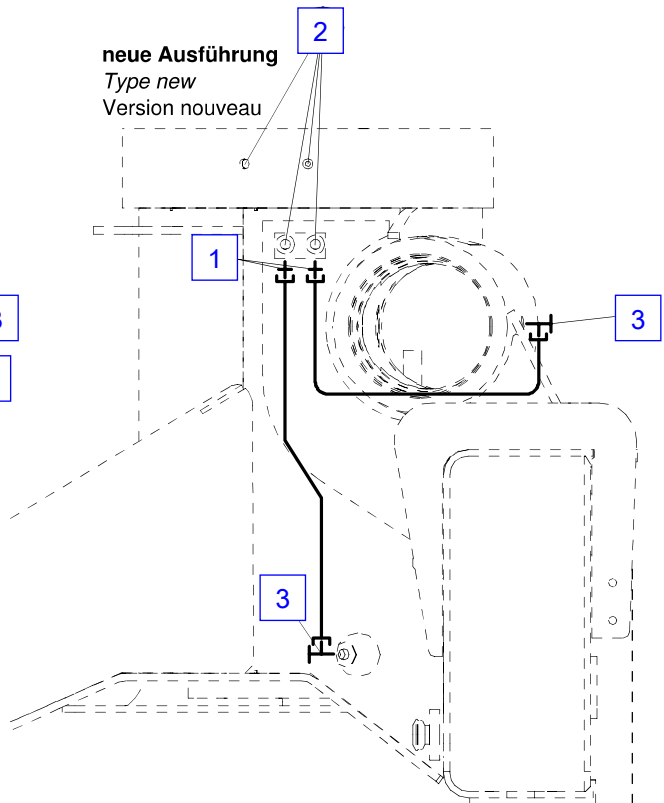
No.	Spare part	Qty.	Description	Dimension
1	EA 002	5	Fitting	GE 6L M10x1-ED
2	EA 005	4	Grease nipple	M10x1 DIN71412
2	EA 558	4	Grease nipple (Standing platform)	M 10x1 DIN71412
3	EA 001	2	Adaptor	WH 06L M 10x1
4	EA 623	2	Fitting	WE 06-LM
5	HLA1098	1	Fitting	
6	EO 547	1	O-ring	D 9,3x1,5
7	ED 391	1	Sealing ring	KD M10
8	EA1079	8	Bushing	E 6/3
9	EA 265	8	Cutting ring	D 6 S
10	EA 641	8	Nut	M 6 L
11	EH1434	0	Grease hose (sold by the meter)	



alte Ausführung
Type old
Version vieux



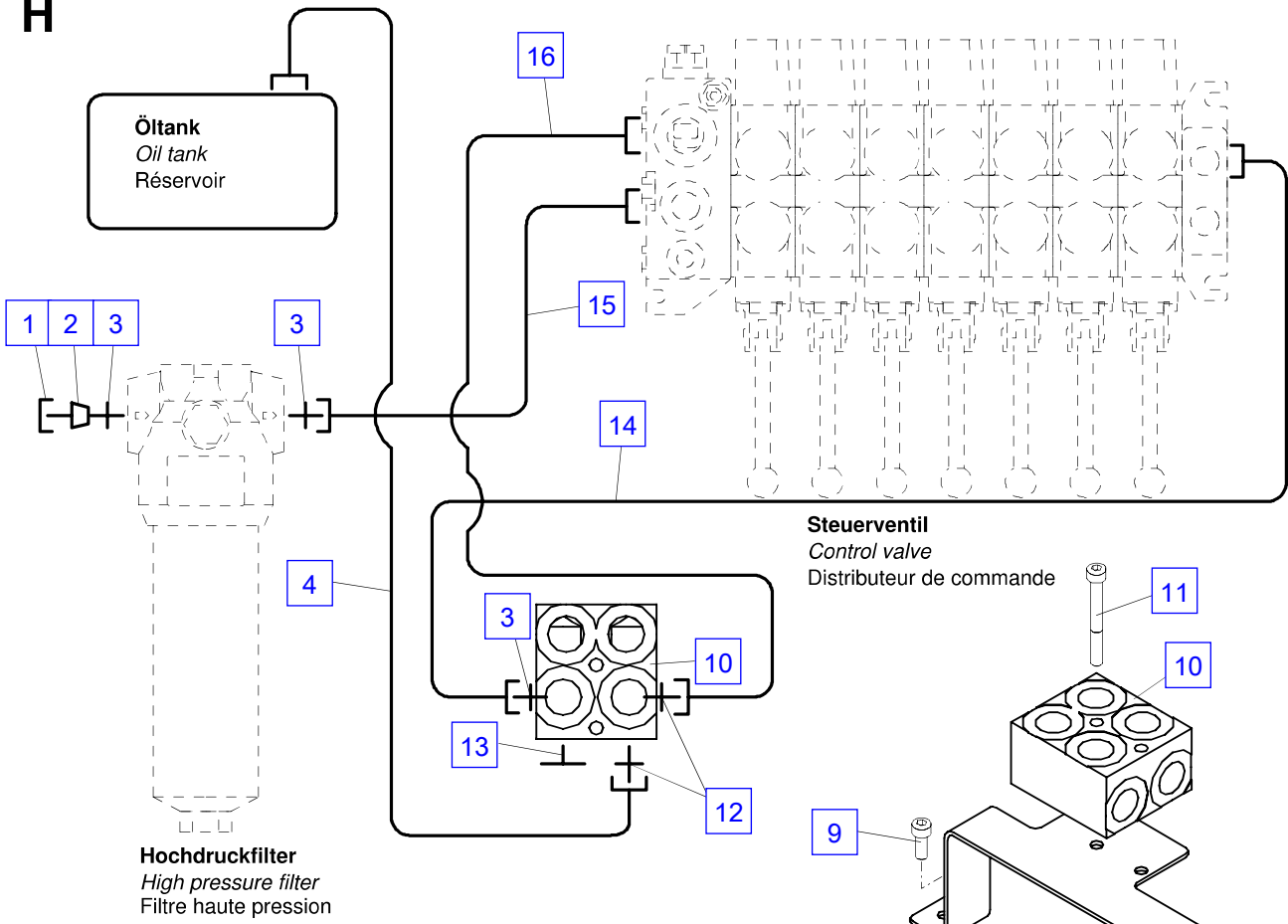
neue Ausführung
Type new
Version nouveau



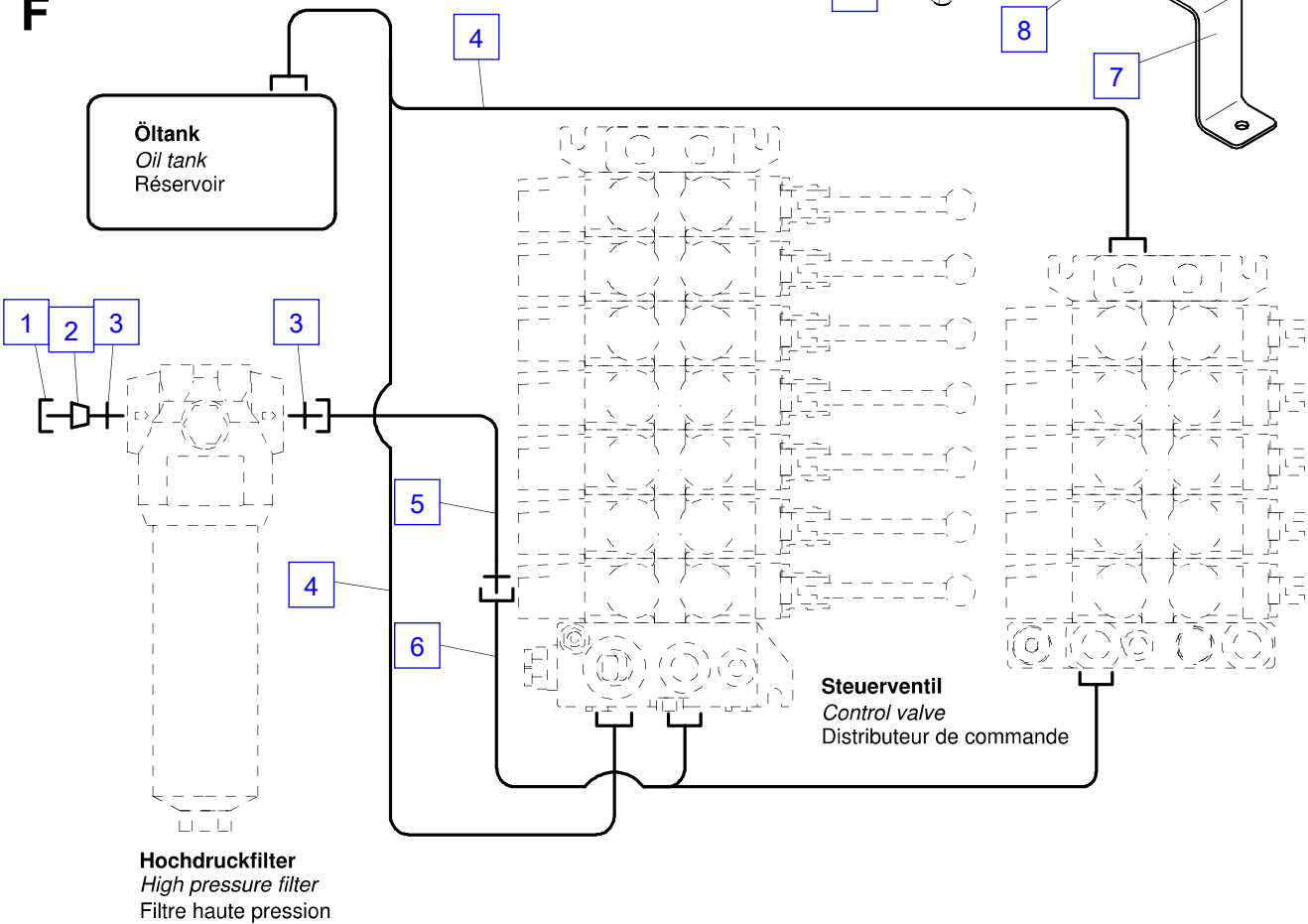
Pipes-Control F,H

No.	Spare part	Qty.	Description	Dimension
1	EA 045	1	Nut	M 16-S - M 24x1,5
2	EA 343	1	Blind plug	BUZ 16 S
3	EA 033	3	Fitting	GE 16 SR 3/4"ED
4	EH1175	1	Hose	NW 16x1100
5	EH6000	1	Hose	NW 12x700
6	HLR10217	1	Pipe	D 16
7	HA2673	1	Bearer	
8	EM 026	4	Nut	M 8 DIN 985
9	ES 265	2	Screw	M 8x20 ISO4762- 8.8
10	HG 167	1	Housing	
11	ES 059	2	Screw	M 8x70 DIN 912
12	EA 243	2	Fitting	GE 18 L R3/4"
13	ES 111	1	Locking screw	VSTI R3/4"
14	EH1973	1	Hose	NW 12x3000
15	EH4894	1	Pressure hose	NW 12x3050
16	EH4901	1	Pressure hose	NW 16x3000

H



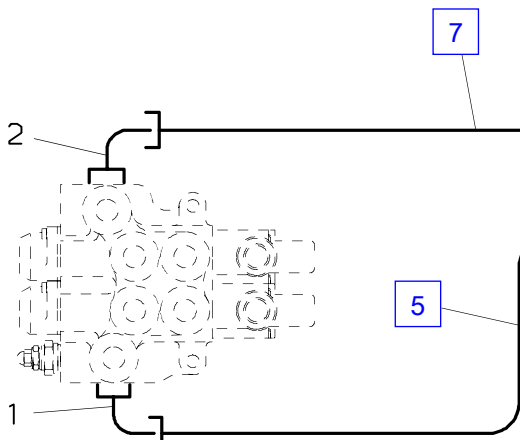
F



Pipes-Control F,H

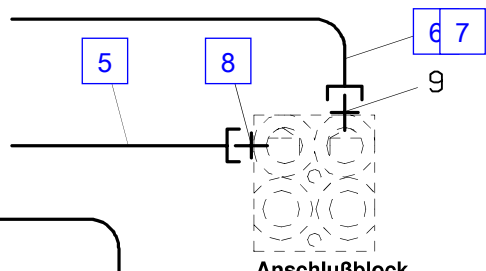
No.	Spare part	Qty.	Description	Dimension
1	EA 019	1	Angle fitting	EW 16S
2	EA 237	1	Angle fitting	EW 18 L
3	HLR 8778	1	Pipe	D 16
4	HLR 8779	1	Pipe	D 18
5	HLR 8789	1	Pipe	D 16
6	HLR 8800	1	Pipe	D 18
7	HLR 8790	1	Pipe	D 18
8	EA 033	1	Fitting	GE 16 SR 3/4"ED
9	EA 243	1	Fitting	GE 18 L R3/4"

F

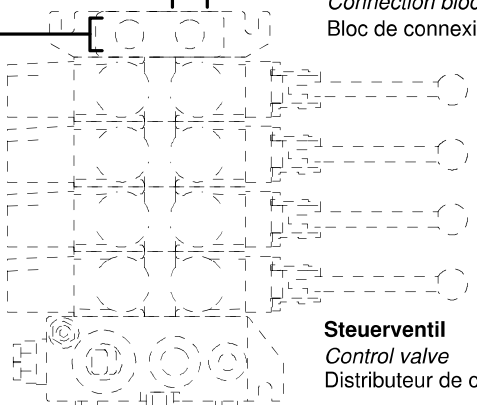


Steuerventil-Abstützung
Control valve-stabil.
Distribut. de commande-stabil.

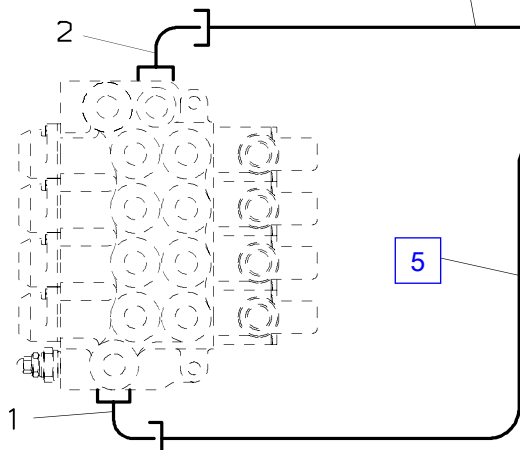
H



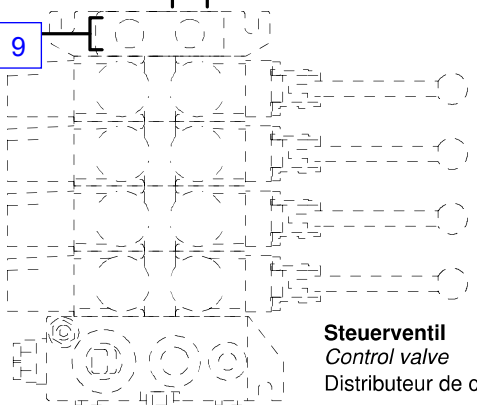
Anschlußblock
Connection block
Bloc de connexion



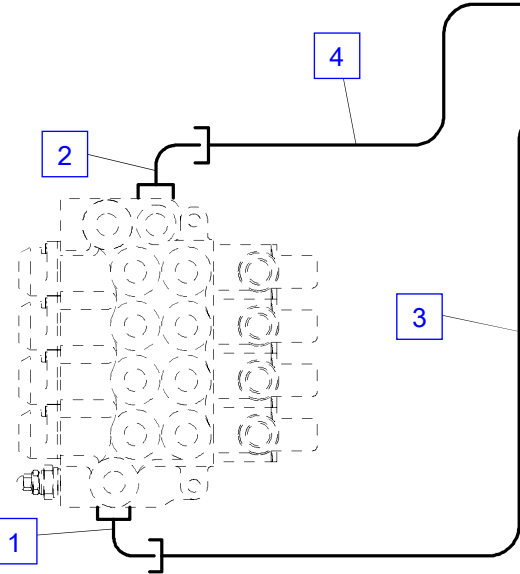
Steuerventil
Control valve
Distributeur de commande



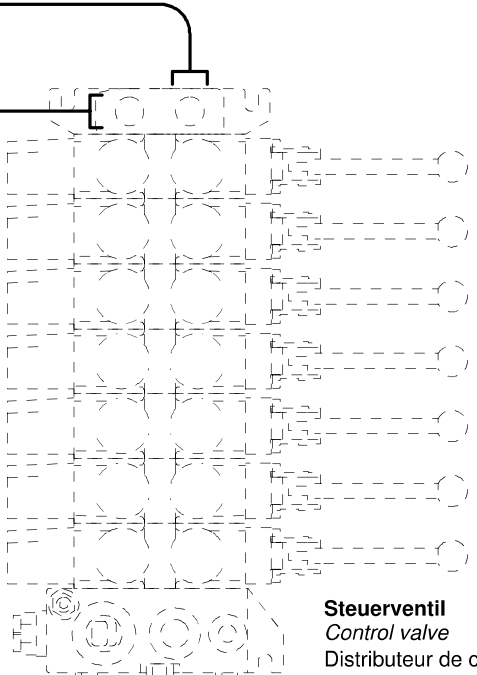
Steuerventil-Abstützung
Control valve-stabil.
Distribut. de commande-stabil.



Steuerventil
Control valve
Distributeur de commande



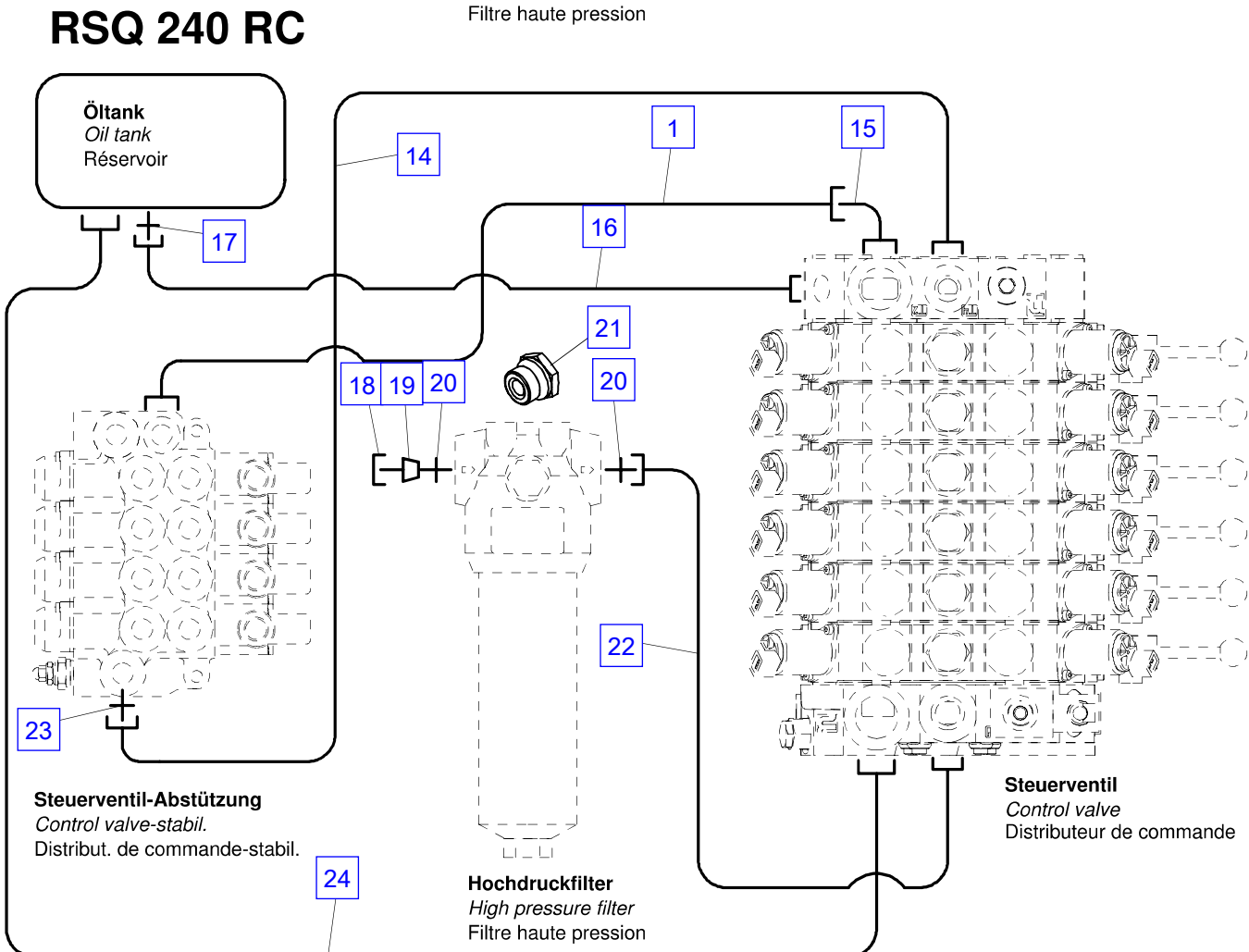
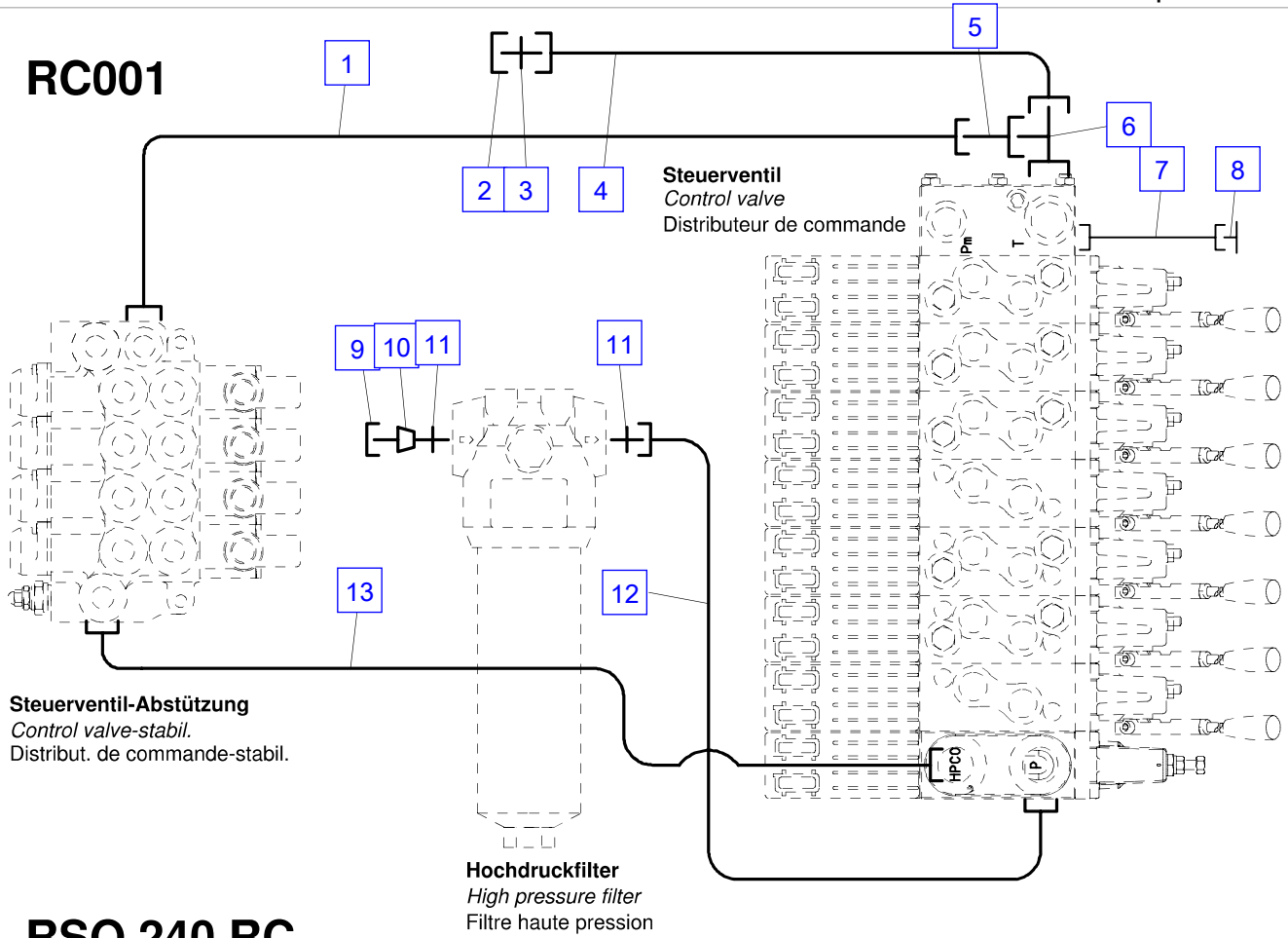
Steuerventil-Abstützung
Control valve-stabil.
Distribut. de commande-stabil.



Steuerventil
Control valve
Distributeur de commande

Pipes-Control RC

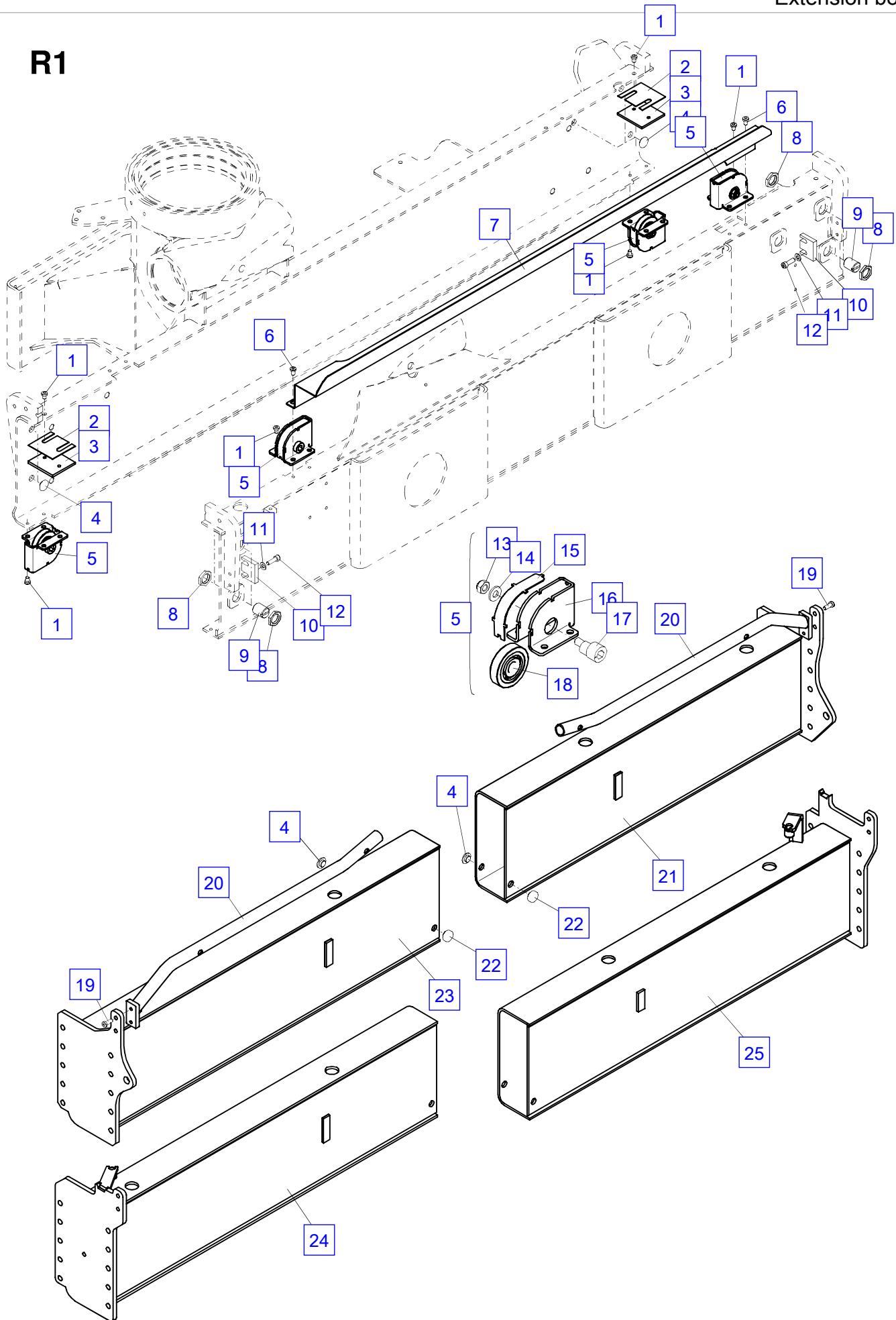
No.	Spare part	Qty.	Description	Dimension
1	EH4921	1	Hose	NW 16x1700
2	HLA 461	1	Plug	VM 22-L
3	EA 323	1	Fitting	GE 22-L
4	EH3363	1	Hose	NW 20x1100
5	EA 577	1	Reduction	KOR 22-18 L
6	EA 327	1	L-Coupling	evL 22 L
7	EH1583	1	Hose	NW 6x1500
8	EA1462	1	Blanking part	ROV-8S
9	EA 106	1	Nut	M 20 S
10	EA 345	1	Blind plug	VKA 20
11	EA 097	2	Fitting	GE 20S R3/4"-ED
11	EA 754	2	Fitting	GE 20S R1/1"
12	EH1873	1	Hose	NW 16x700
13	EH1036	1	Hose	NW 12x2000
14	EH5038	1	Hose	NW 10x1900
15	EA 237	1	Angle fitting	EW 18 L
16	EH4891	1	Hose	NW 6x1550
17	EA 190	1	Fitting	GE 10L R3/8"-ED
18	EA 045	1	Nut	M 16-S - M 24x1,5
19	EA 343	1	Blind plug	BUZ 16 S
20	EA 033	2	Fitting	GE 16 SR 3/4"ED
21	EA 226	2	Reduction (for EA2168)	RI 1"-3/4"
22	EH1565	1	Hose	NW 12x700
23	EA 039	1	Fitting	GE 12S R3/8"-ED
24	EH1175	1	Hose	NW 16x1100



Extension box-R1

No.	Spare part	Qty.	Description	Dimension
1	ES1089	16	Screw	M 8x10 DIN 7984 8.8
2	HTR1529	2	Shim plate	1 mm
3	HTR1427	2	Shim plate	5 mm
4	HF 050	7	Guide	3 mm
5	HXE1716	4	Tread roller, cpl.	
6	ES1082	4	Screw	M 8x12 DIN 7984 8.8
7	HA3499	1	Hose tray	
8	EM 180	8	Nut	M24x1,5
9	HIG 653	4	Guide	l=28 mm
10	HTR3550	2	Guide piece	10 mm
11	EK 340	4	Washer	D8 ISO7089-A2-HV140
12	ES 006	4	Screw	M 8x25 ISO4762-10.9
13	EM 021	1	Nut	DIN 985 M10 CL8 ZB
14	EK 202	1	Washer	D 10,5 DIN 134
15	HA6238	1	Cover plate	
16	HA6237	1	Bearer	
17	HR 226	1	Eccentric bolt	
18	ELW 268	1	Tread roller	D=62 mm
19	ES 308	4	Screw	M 8x20 DIN7984- 8.8
20	HXE1764	2	Stirrup	
21	S105A11-A	1	Extension box-R1	
22	HF 007	2	Guide	5 mm
22	HF 795	2	Guide	6 mm
22	HF 345	2	Guide	7 mm
23	S106A10-A	1	Extension box	
24	S106A10-B	1	Extension box	
25	S105A11-B	1	Outrigger-R1	

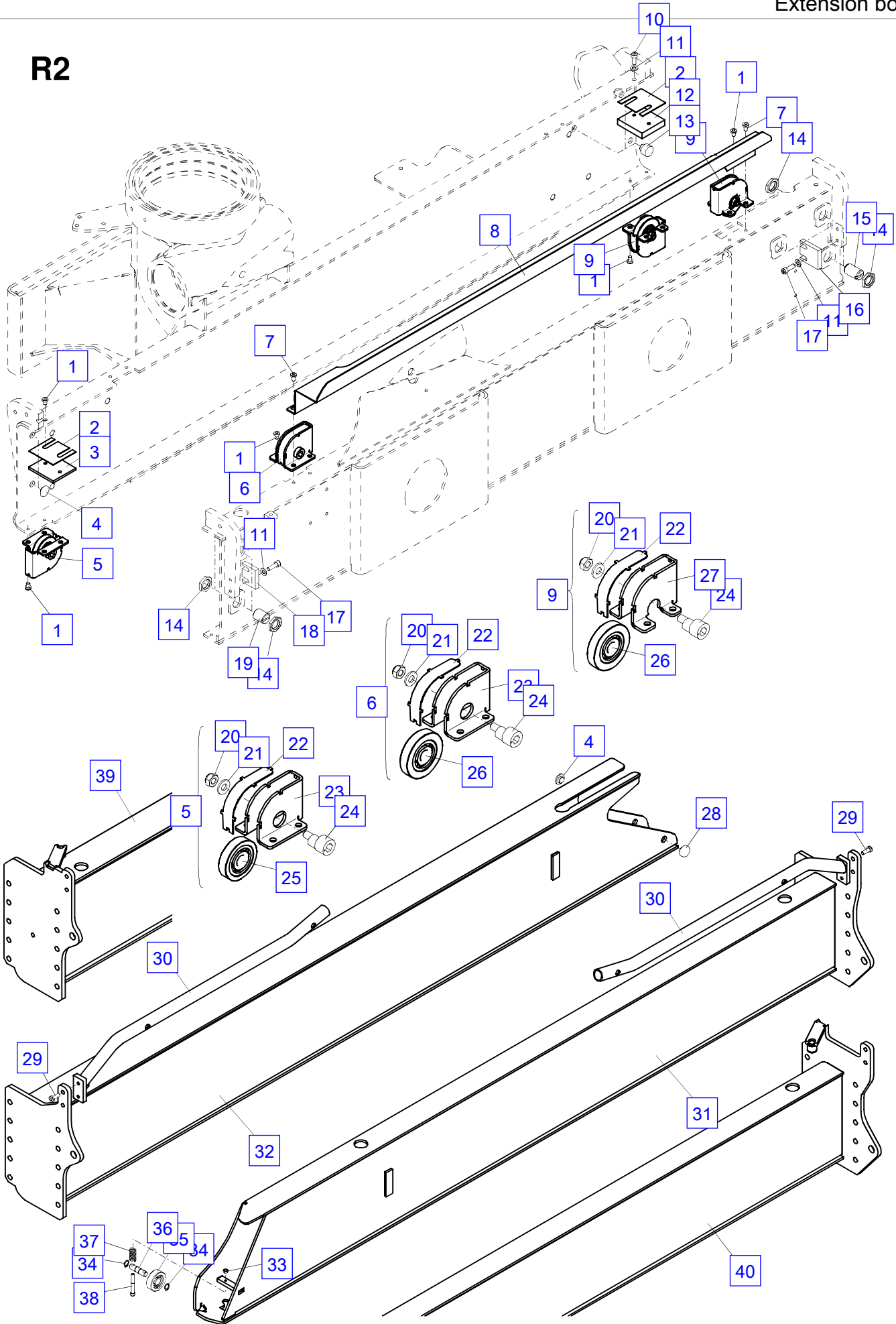
R1



Extension box-R2

No.	Spare part	Qty.	Description	Dimension
1	ES1089	14	Screw	M 8x10 DIN 7984 8.8
2	HTR1529	0	Shim plate	1 mm
3	HTR1427	1	Shim plate	5 mm
4	HF 050	3	Guide	3 mm
5	HXE1716	1	Tread roller, cpl.	
6	HXE1718	1	Tread roller, cpl.	
7	ES1082	4	Screw	M 8x12 DIN 7984 8.8
8	HA3499	1	Hose tray	
9	HXE1717	2	Tread roller, cpl.	
10	ES 265	2	Screw	M 8x20 ISO4762- 8.8
11	EK 340	6	Washer	D8 ISO7089-A2-HV140
12	HTR3595	1	Shim plate	15 mm
13	HF 281	3	Guide	13.5 mm
14	EM 180	10	Nut	M24x1,5
15	HIG 428	3	Guide	l=40 mm
16	HTR3551	1	Guide piece	10 mm
17	ES 006	4	Screw	M 8x25 ISO4762-10.9
18	HTR3550	1	Guide piece	10 mm
19	HIG 653	2	Guide	l=28 mm
20	EM 021	3	Nut	DIN 985 M10 CL8 ZB
21	EK 202	3	Washer	D 10,5 DIN 134
22	HA6238	3	Cover plate	
23	HA6237	2	Bearer	
24	HR 226	3	Eccentric bolt	
25	ELW 268	1	Tread roller	D=62 mm
26	ELW 269	2	Ball bearing	D=70 mm
27	HA6236	1	Bearer	
28	HF 007	1	Guide	5 mm
28	HF 795	1	Guide	6 mm
28	HF 345	1	Guide	7 mm
29	ES 308	4	Screw	M 8x20 DIN7984- 8.8
30	HXE1764	2	Stirrup	
31	S106A21-A	1	Outrigger-R2	
32	S106A20-A	1	Outrigger-R2	
33	EM 014	2	Nut	DIN 985-8 M 6
34	EQ 043	2	Circlip	D 12 DIN 471
35	HR 124	1	Tread roller	D 47 mm
36	HI 521	1	Pin	
37	EF 024	2	Pressure spring	
38	ES 100	2	Screw	M 6x60 DIN 6912
39	S106A20-B	1	Extension box	
40	S106A21-B	1	Extension box	

R2

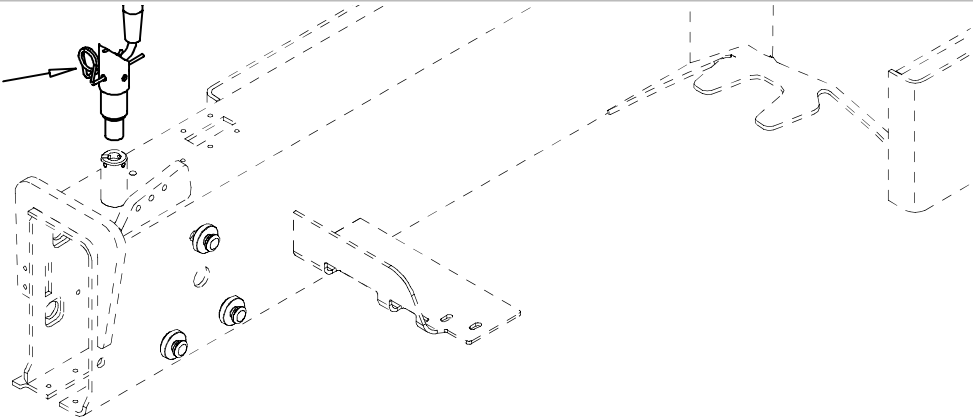


Pipes-R1,R2

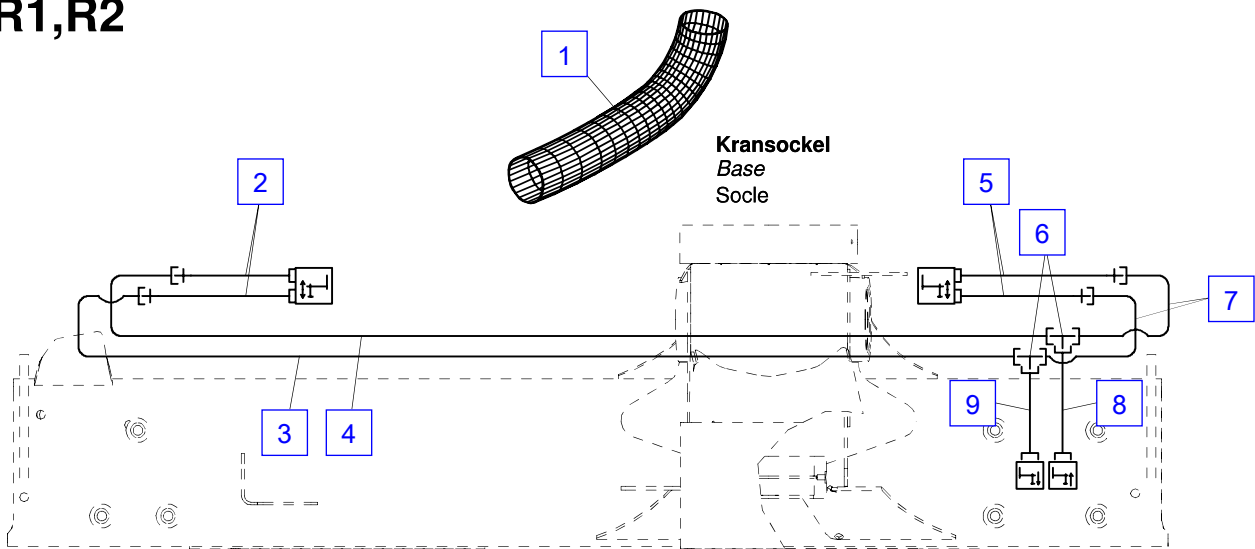
No.	Spare part	Qty.	Description	Dimension
1	EH1943	2	Protection hose (STZS)	NW 50x1750
1	EH2201	2	Protection hose (STZY) (STZY)	NW 50x2700
2	EH 337	2	Hose (STZY)	NW 8x2500
2	EH3177	2	Hose (STZS)	NW 8x1670
3	HLR 8782	1	Pipe	D 12
4	HLR 8783	1	Pipe	D 12
5	EH 344	2	Hose (STZY)	NW 8x2700
5	EH4871	2	Hose (STZS)	NW 8x1900
6	EA 195	2	Fitting	T 12-S
7	HLR 8777	2	Pipe	D 12
8	HLR 8781	1	Pipe (7-sections)	D 12
8	HLR 8785	1	Pipe (5-sections)	D 12
9	HLR 8780	1	Pipe (7-sections)	D 12
9	HLR 8784	1	Pipe (5-sections)	D 12
10	EH1876	2	Protection hose (STZS)	NW 50x1900
10	EH2201	2	Protection hose	NW 50x2700
11	HLR 8773	1	Pipe	D 12
12	HLR 8786	1	Pipe	D 12
13	HLR 8774	1	Pipe	D 12
14	HLR 8787	1	Pipe	D 12



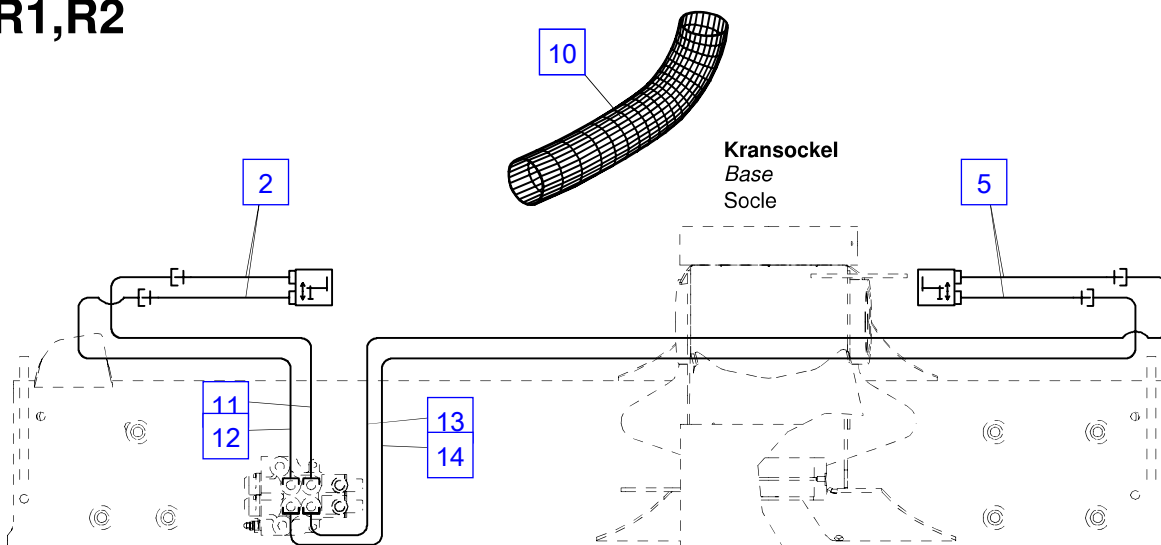
gültig für:
valid for:
valid for:



R1,R2



R1,R2



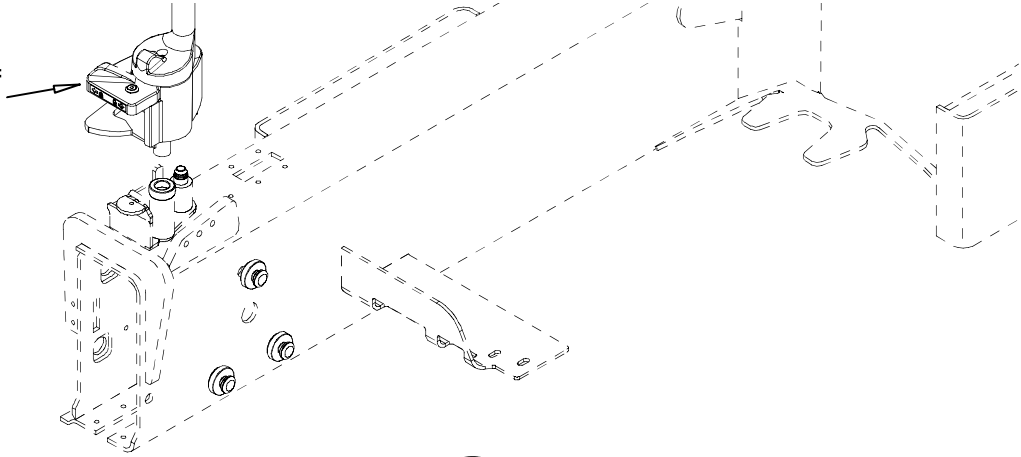
Steuerventil-Abstützung
Control valve-stabil.
Distribut. de commande-stabil.

Pipes-R1,R2

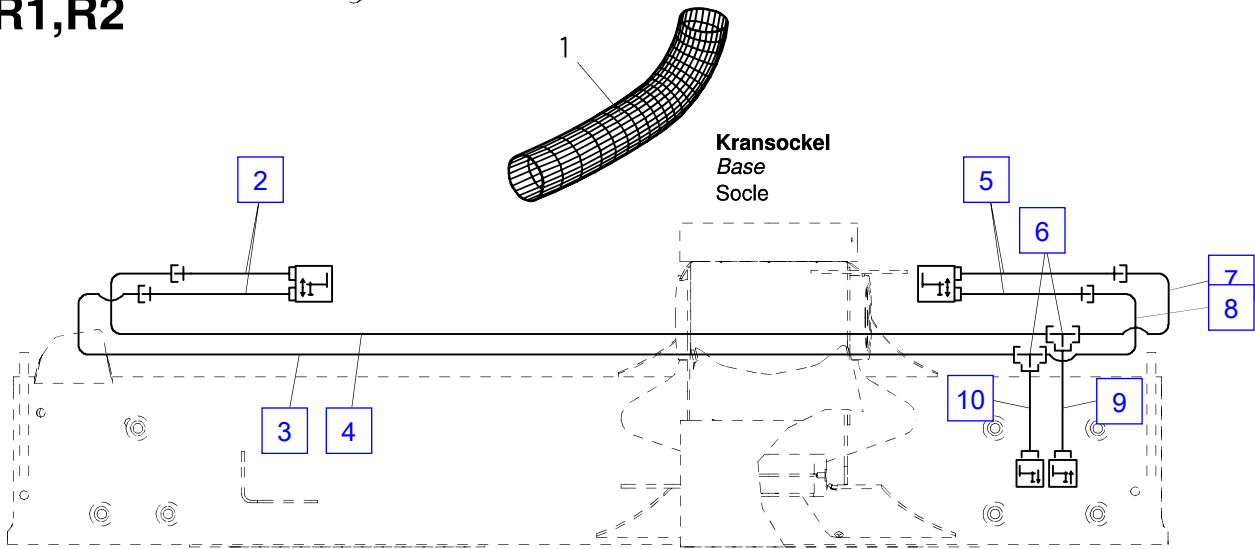
No.	Spare part	Qty.	Description	Dimension
1	EH1487	1	Protection hose (STZY)	NW 50x750
1	EH1876	1	Protection hose	NW 50x1900
1	EH1943	1	Protection hose	NW 50x1750
2	EH 337	2	Hose (STZY)	NW 8x2500
2	EH6149	2	Hose (STZS)	NW 8x2100
3	HLR10272	1	Pipe	D 12
4	HLR10273	1	Pipe	D 12
5	EH 344	2	Hose (STZY)	NW 8x2700
5	EH 680	2	Hose (STZS)	NW 8x2200
6	EA 195	2	Fitting	T 12-S
7	HLR10271	1	Pipe	D 12
8	HLR10270	1	Pipe	D 12
9	HLR10276	1	Pipe (7-sections)	D 12
9	HLR10274	1	Pipe (5-sections)	D 12
10	HLR10277	1	Pipe (7-sections)	D 12
10	HLR10275	1	Pipe (5-sections)	D 12
11	EH1487	1	Protection hose	NW 50x750
11	EH1876	1	Protection hose	NW 50x1900
11	EH1943	1	Protection hose	NW 50x1750
12	HLR10278	1	Pipe	D 12
13	HLR10279	1	Pipe	D 12
14	HLR10281	1	Pipe	D 12
15	HLR10280	1	Pipe	D 12



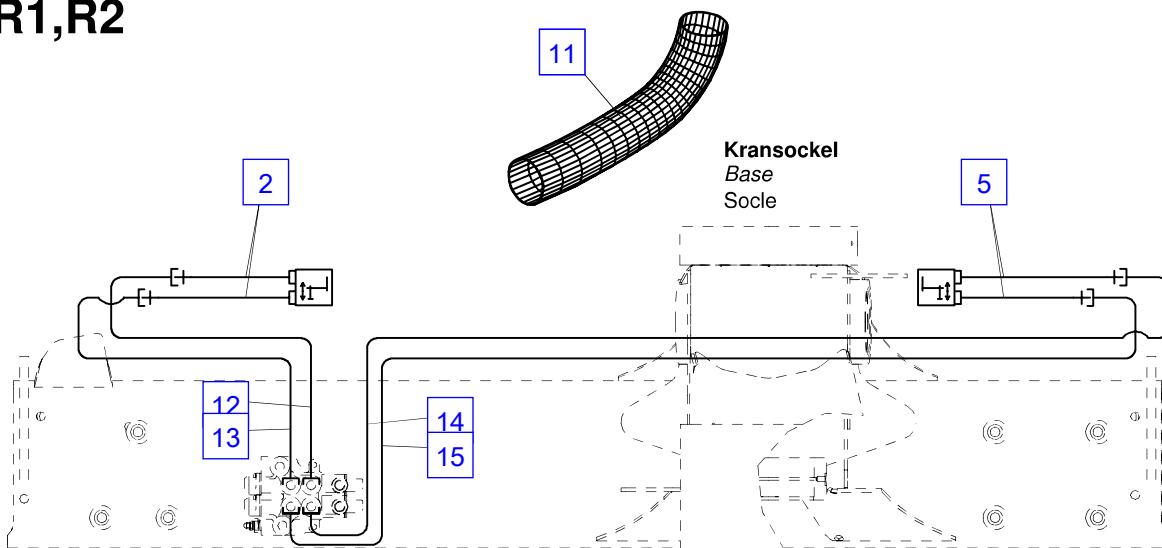
gültig für:
valid for:



R1,R2



R1,R2

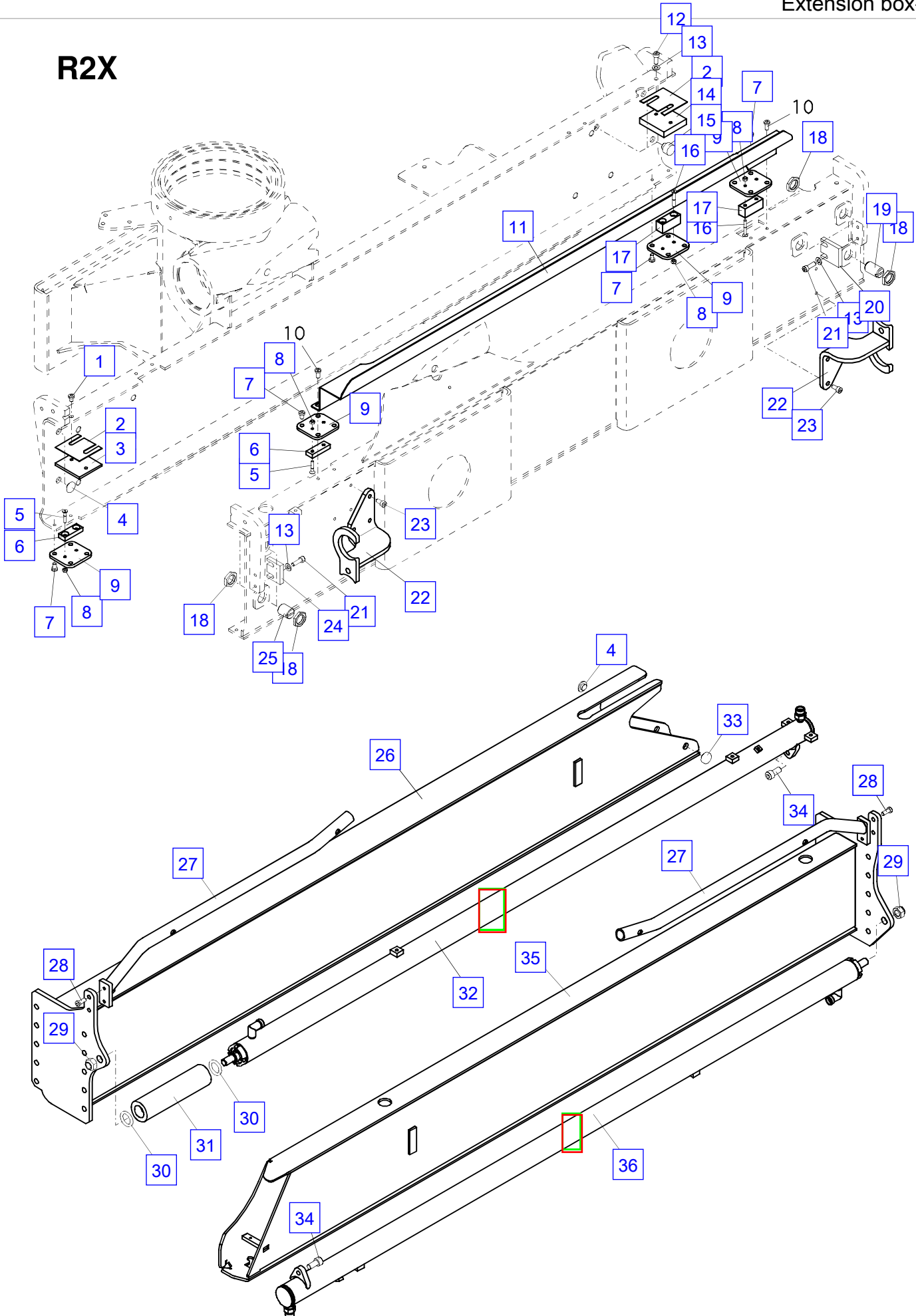


Steuerventil-Abstützung
Control valve-stabil.
Distribut. de commande-stabil.

Extension box-R2X

No.	Spare part	Qty.	Description	Dimension
1	ES1089	2	Screw	M 8x10 DIN 7984 8.8
2	HTR1529	0	Shim plate	1 mm
3	HTR1427	1	Shim plate	5 mm
4	HF 050	3	Guide	3 mm
5	ES 200	4	Screw	M 5x25 DIN 7991
6	HTR1538	2	Guide block	10 mm
7	ES1082	12	Screw	M 8x12 DIN 7984 8.8
8	EM 040	8	Nut	DIN985-8 M5
9	HTR3431	4	Fastening plate	
10	ES 308	4	Screw	M 8x20 DIN7984- 8.8
11	HA3499	1	Hose tray	
12	ES 265	2	Screw	M 8x20 ISO4762- 8.8
13	EK 340	6	Washer	D8 ISO7089-A2-HV140
14	HTR3595	1	Shim plate	15 mm
15	HF 281	3	Guide	13.5 mm
16	ES 582	4	Screw	M 5x40 DIN 7991
17	HTR3363	2	Guide block	24 mm
18	EM 180	10	Nut	M24x1,5
19	HIG 428	3	Guide	l=40 mm
20	HTR3551	1	Guide piece	10 mm
21	ES 006	4	Screw	M 8x25 ISO4762-10.9
22	HXE1558	2	Cylinder guide	
23	ES 051	6	Screw	M 8x16 DIN 7984 8.8
24	HTR3550	1	Guide piece	10 mm
25	HIG 653	2	Guide	l=28 mm
26	S106A20-A	1	Outrigger-R2	
27	HXE1764	2	Stirrup	
28	ES 308	4	Screw	M 8x20 DIN7984- 8.8
29	EM 031	2	Nut	M 16 DIN 985
30	EO1010	2	O-ring	D 25x6
31	HBS2706	1	Spacer	
32	UP1408	1	Outrigger extension cylinder (page 010.1200)	
33	HF 007	1	Guide	5 mm
33	HF 795	1	Guide	6 mm
33	HF 345	1	Guide	7 mm
34	ES 041	2	Screw	M 12x25 ISO4762-10.9
35	S106A21-A	1	Outrigger-R2	
36	UP1409	1	Outrigger extension cylinder (page 010.1200)	

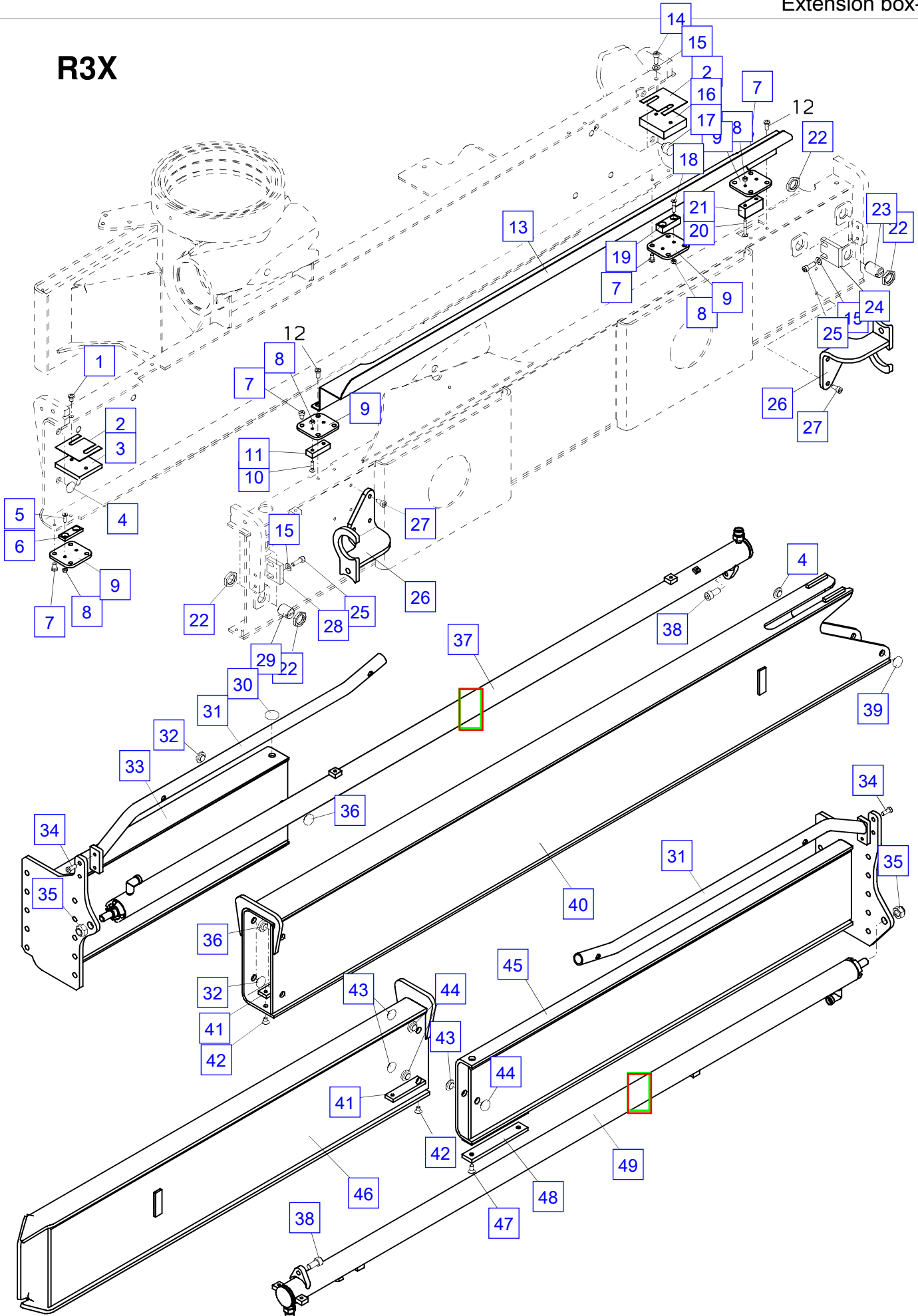
R2X



Extension box-R3X

No.	Spare part	Qty.	Description	Dimension
1	ES1089	2	Screw	M 8x10 DIN 7984 8.8
2	HTR1529	0	Shim plate	1 mm
3	HTR1166	1	Shim plate	10 mm
4	HF 050	3	Guide	3 mm
5	ES 198	2	Screw	M 5x20 ISO14581- 8.8
6	HTR1539	1	Guide block	6 mm
7	ES1082	12	Screw	M 8x12 DIN 7984 8.8
8	EM 040	8	Nut	DIN985-8 M5
9	HTR3431	4	Fastening plate	
10	ES 200	2	Screw	M 5x25 DIN 7991
11	HTR3367	1	Guide block	13 mm
12	ES 308	4	Screw	M 8x20 DIN7984- 8.8
13	HA3499	1	Hose tray	
14	ES 265	2	Screw	M 8x20 ISO4762- 8.8
15	EK 340	6	Washer	D8 ISO7089-A2-HV140
16	HTR1161	1	Shim plate	20 mm
17	HF 281	3	Guide	13.5 mm
18	ES 212	2	Screw	M 5x30 ISO14581- 8.8
19	HTR3368	1	Guide block	15 mm
20	ES 582	2	Screw	M 5x40 DIN 7991
21	HTR3363	1	Guide block	24 mm
21	HTR3364	1	Guide block	26 mm
22	EM 180	10	Nut	M24x1,5
23	HIG 428A	3	Guide	L=46 mm
24	HTR3551	1	Guide piece	10 mm
25	ES 006	4	Screw	M 8x25 ISO4762-10.9
26	HXE1558	2	Cylinder guide	
27	ES 051	6	Screw	M 8x16 DIN 7984 8.8
28	HTR3550	1	Guide piece	10 mm
29	HIG 653	2	Guide	l=28 mm
30	HF 577	1	Guide	5 mm
31	HXE1765	2	Bearer	
32	HF 108	3	Guide	4 mm
33	S106A31-A	1	Extension box-R3X	
34	ES 308	4	Screw	M 8x20 DIN7984- 8.8
35	EM 031	2	Nut	M 16 DIN 985
36	HF 345	3	Guide	7 mm
37	UP1406	1	Outrigger extension cylinder (page 010.1200)	
38	ES 041	2	Screw	M 12x25 ISO4762-10.9
39	HF 795	1	Guide	6 mm
40	S106A30-A	1	Extension box	
41	HTR4024	2	Striker bar	8 mm
41	HTR1948	2	Striker bar	10 mm
42	ES 123	4	Screw	M 8x12 ISO14581- 8.8
43	HF 047	3	Guide	2 mm
44	HF 007	3	Guide	5 mm
45	S106A33-A	1	Extension box	
46	S106A32-A	1	Extension box	
47	ES 156	2	Screw	M 8x16 ISO14581- 8.8
48	HTR1946	1	Guide	8 mm
48	HTR1947	1	Guide	10 mm
49	UP1408	1	Outrigger extension cylinder (page 010.1200)	

R3X



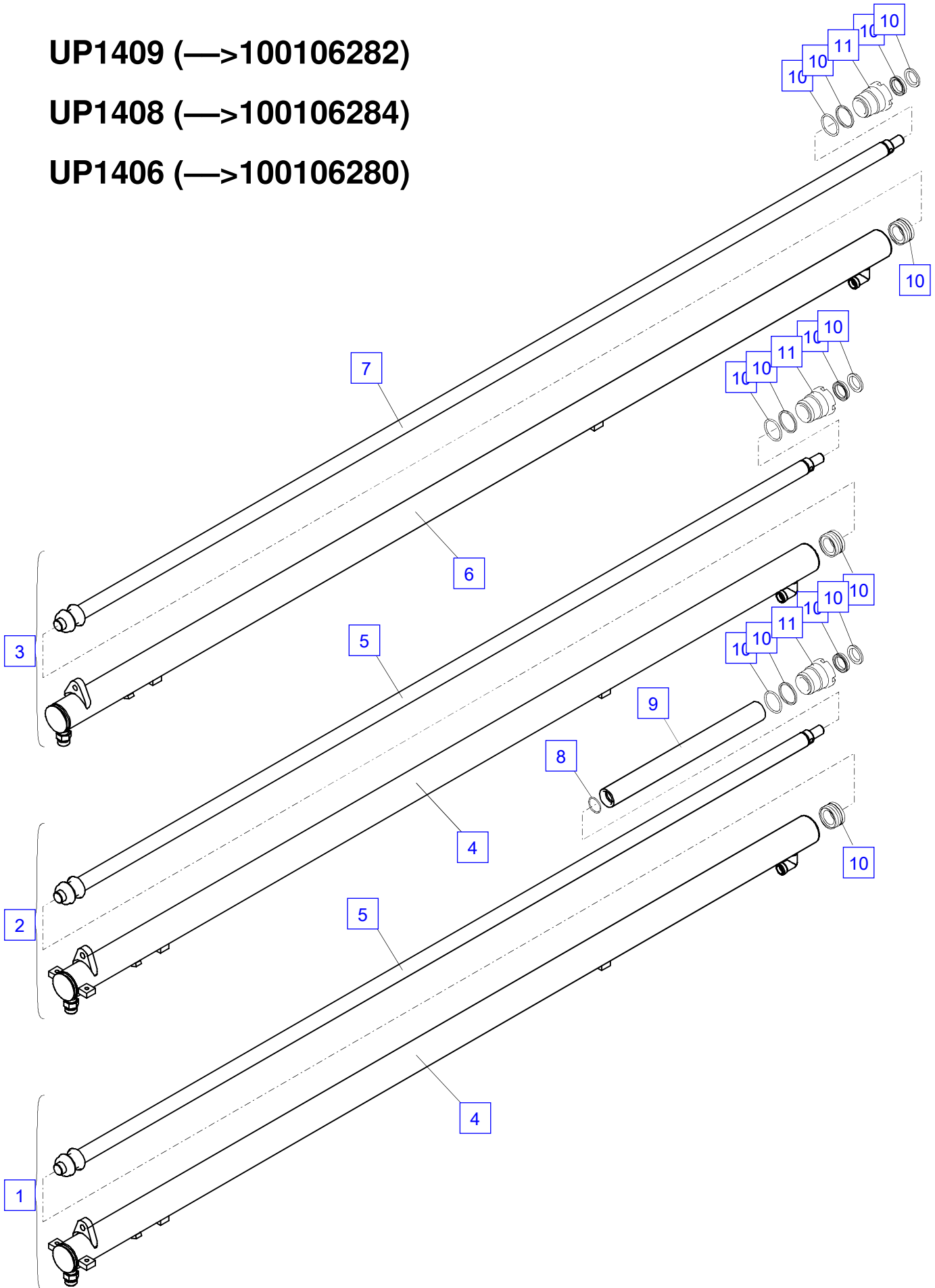
Extension cylinder-R2X,R3X

No.	Spare part	Qty.	Description	Dimension
1	UP1409	1	Outrigger extension cylinder (R2X)	
2	UP1408	1	Outrigger extension cylinder (R2X,R3X)	
3	UP1406	1	Outrigger extension cylinder (R3X)	
4	HY1280	2	Cylinder tube	d040
5	HSK1166	2	Piston rod	D025xL1799 Dzyl.040
6	HY1278	1	Cylinder tube	
7	HSK1162	1	Piston rod	
8	EO 108	1	O-ring	D 25x2
9	HBS2662	1	Spacer	
10	TD 526	3	Seal kit	
11	HV 437	3	Cylinder nut	

UP1409 (—>100106282)

UP1408 (—>100106284)

UP1406 (—>100106280)



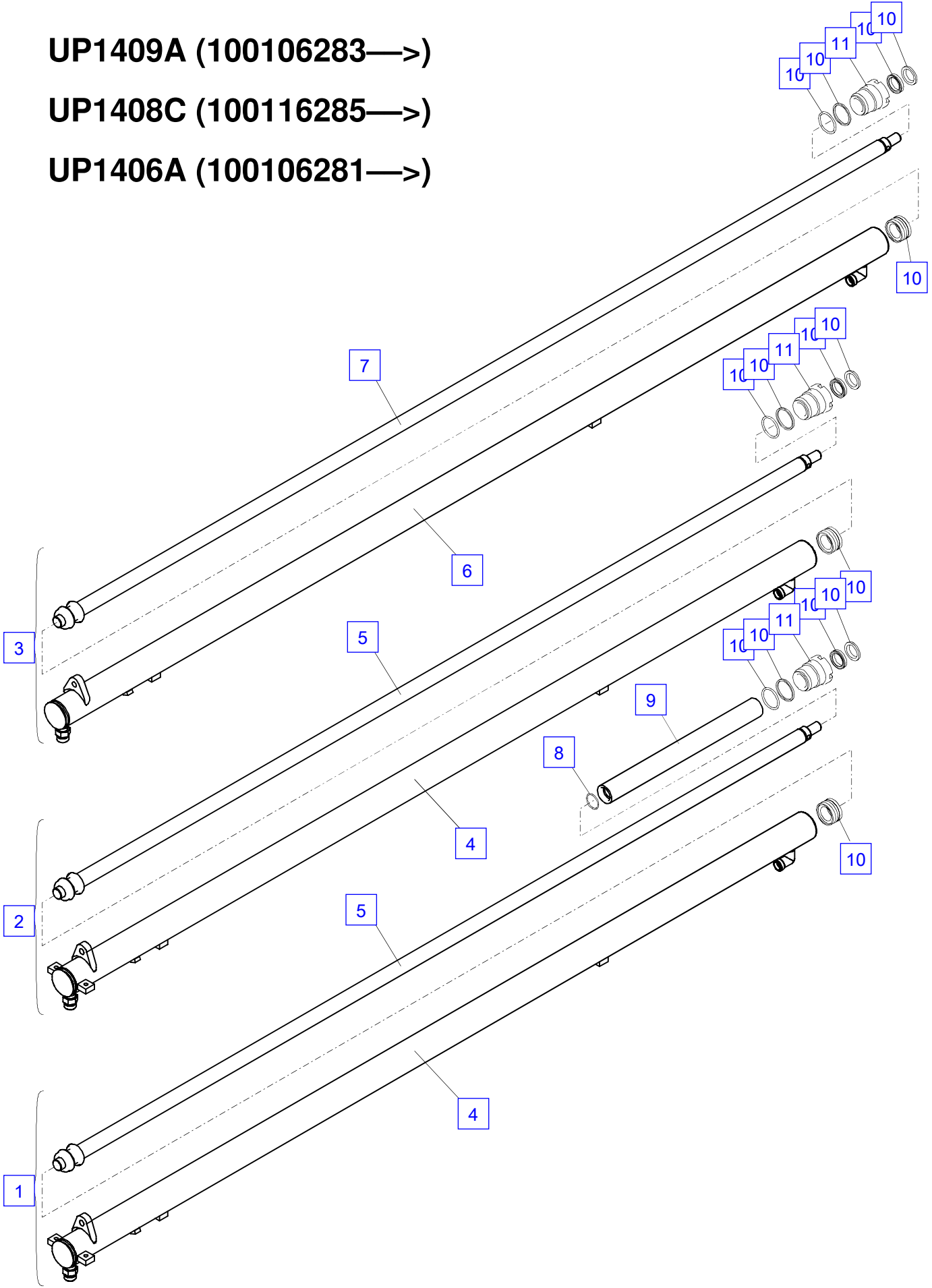
Extension cylinder-R2X,R3X

No.	Spare part	Qty.	Description	Dimension
1	UP1409A	1	Outrigger extension cylinder (R2X)	
2	UP1408C	1	Outrigger extension cylinder (R2X,R3X)	
3	UP1406A	1	Outrigger extension cylinder (R3X)	
4	HY1280A	2	Cylinder tube	
5	HSK1166	2	Piston rod	D025xL1799 Dzyl.040
6	HY1278	1	Cylinder tube	
7	HSK1162	1	Piston rod	
8	EO 108	1	O-ring	D 25x2
9	HBS2662	1	Spacer	
10	TD 526A	3	Seal kit	
11	HV 437A	3	Cylinder nut	M044x1.5 d025xL052

UP1409A (100106283—>)

UP1408C (100116285—>)

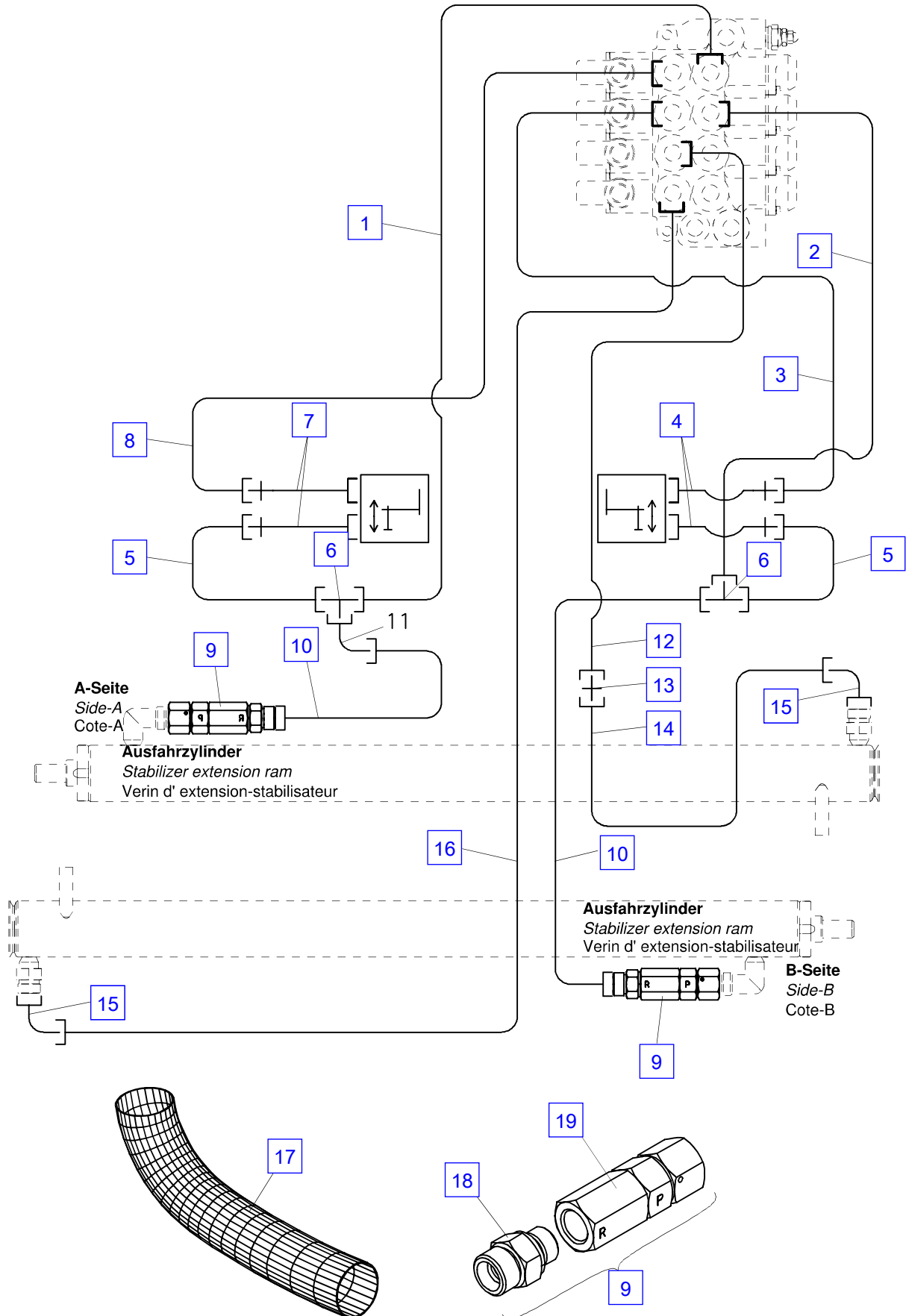
UP1406A (100106281—>)



Pipes-R2X,R3X

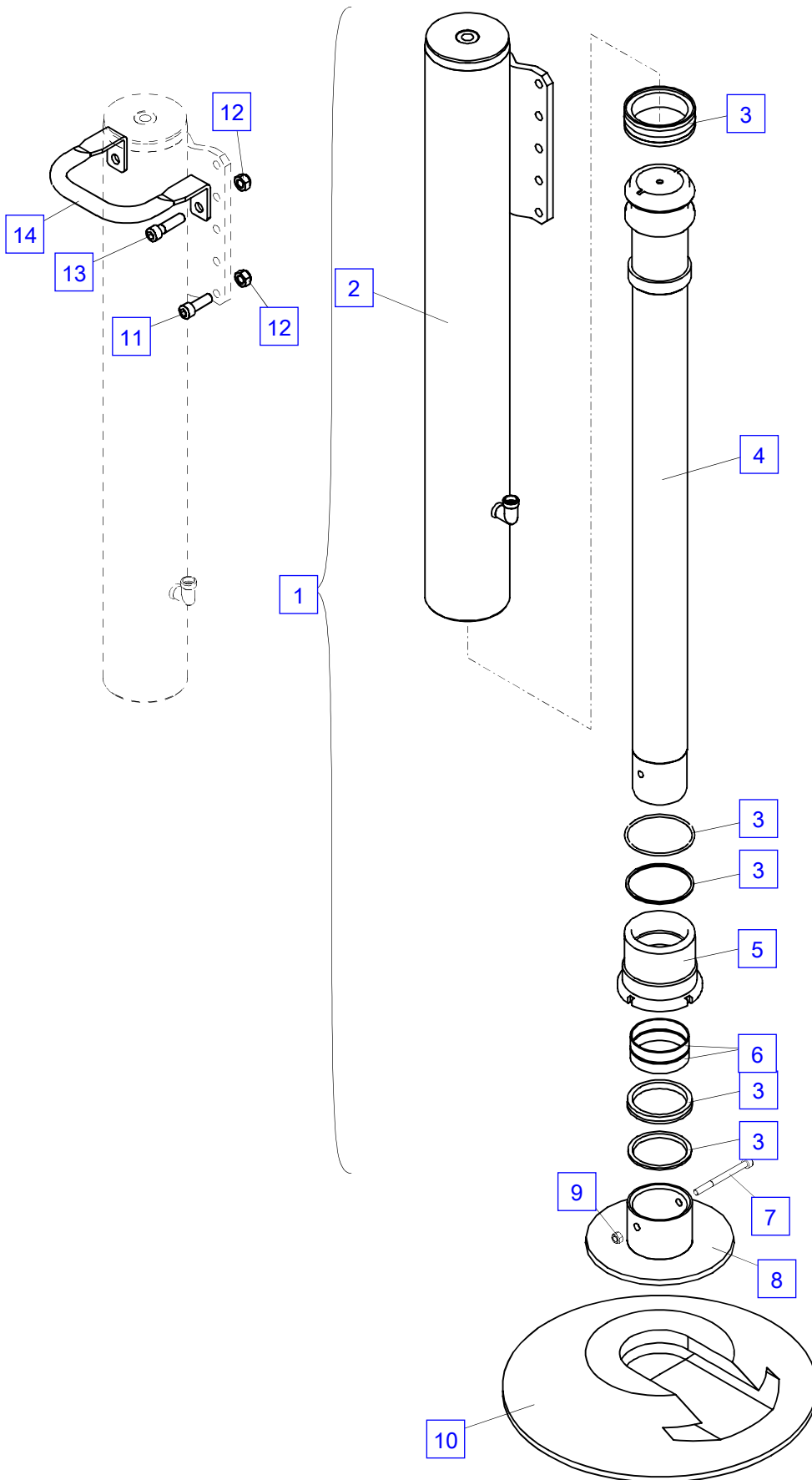
No.	Spare part	Qty.	Description	Dimension
1	HLR 8775	1	Pipe	D 12
2	HLR 8776	1	Pipe	D 12
3	HLR 8773	1	Pipe	D 12
4	EH 322	2	Hose (STZY,R3X)	NW 8x2900
4	EH 337	2	Hose (STZY,R2X)	NW 8x2500
4	EH6149	2	Hose (STZS,R2X)	NW 8x2100
4	EH6160	2	Hose (STZS,R3X)	NW 8x2350
5	HLR 8777	2	Pipe	D 12
6	EA 195	2	Fitting	T 12-S
7	EH 344	2	Hose (STZY,R2X)	NW 8x2700
7	EH3632	2	Hose (STZY,R3X)	NW 8x3000
7	EH6159	2	Hose (STZS,R3X)	NW 8x2500
7	EH 680	2	Hose (STZS,R2X)	NW 8x2200
8	HLR 8774	1	Pipe	D 12
9	UV423	2	Pretension valve, cpl.	80 bar
10	EH3094	2	Hose	NW 8x480
11	EA 280	1	Angle fitting (R3X)	EW 12 S
12	HLR 8771	1	Pipe	D 12
13	EA 204	1	Fitting	G 12 S
14	HLR 8772	1	Pipe	D 12
15	EA 280	2	Angle fitting	EW 12 S
16	HLR 8770	1	Pipe	D 12
17	EH1876	2	Protection hose (STZS,R2X)	NW 50x1900
17	EH1877	2	Protection hose (STZS,R3X)	NW 50x2150
17	EH2201	2	Protection hose (STZY,R2X)	NW 50x2700
17	EH2202	2	Protection hose (STZY,R3X)	NW 50x3100
18	EA 039	1	Fitting	GE 12S R3/8"-ED
19	EV4107/080	1	Pretension valve	

Steuerventil-Abstutung
Control valve-stabil.
 Distribut. de commande-stabil.



Stabilizer ram-STZS

No.	Spare part	Qty.	Description	Dimension
1	UP1489	1	Stabilizer ram	l=961 mm
2	HY1370	1	Cylinder tube	
3	TD 596	1	Seal kit (+6)	
4	HSK 083A	1	Piston rod	
5	HV 371	1	Cylinder nut	M095x2.0 d070xL090
6	EG 051	2	Guide ring	75x70x15
7	ES1161	1	Screw	M 8x100 ISO4762- 8.8
8	HD 008	1	Stabilizer plates	STT="Std"
8	HD 063	1	Stabilizer extension	STT="190"
9	EM 026	1	Nut	M 8 DIN 985
10	EZ 872	1	Stabilizer plates	D 400
11	ES 157	7	Screw	M 12x35 ISO4762-10.9
12	EM 023	10	Nut	M 12 DIN 985
13	ES 173	3	Screw	M 12x45 ISO4762-10.9
14	HAU 197	1	Stirrup	



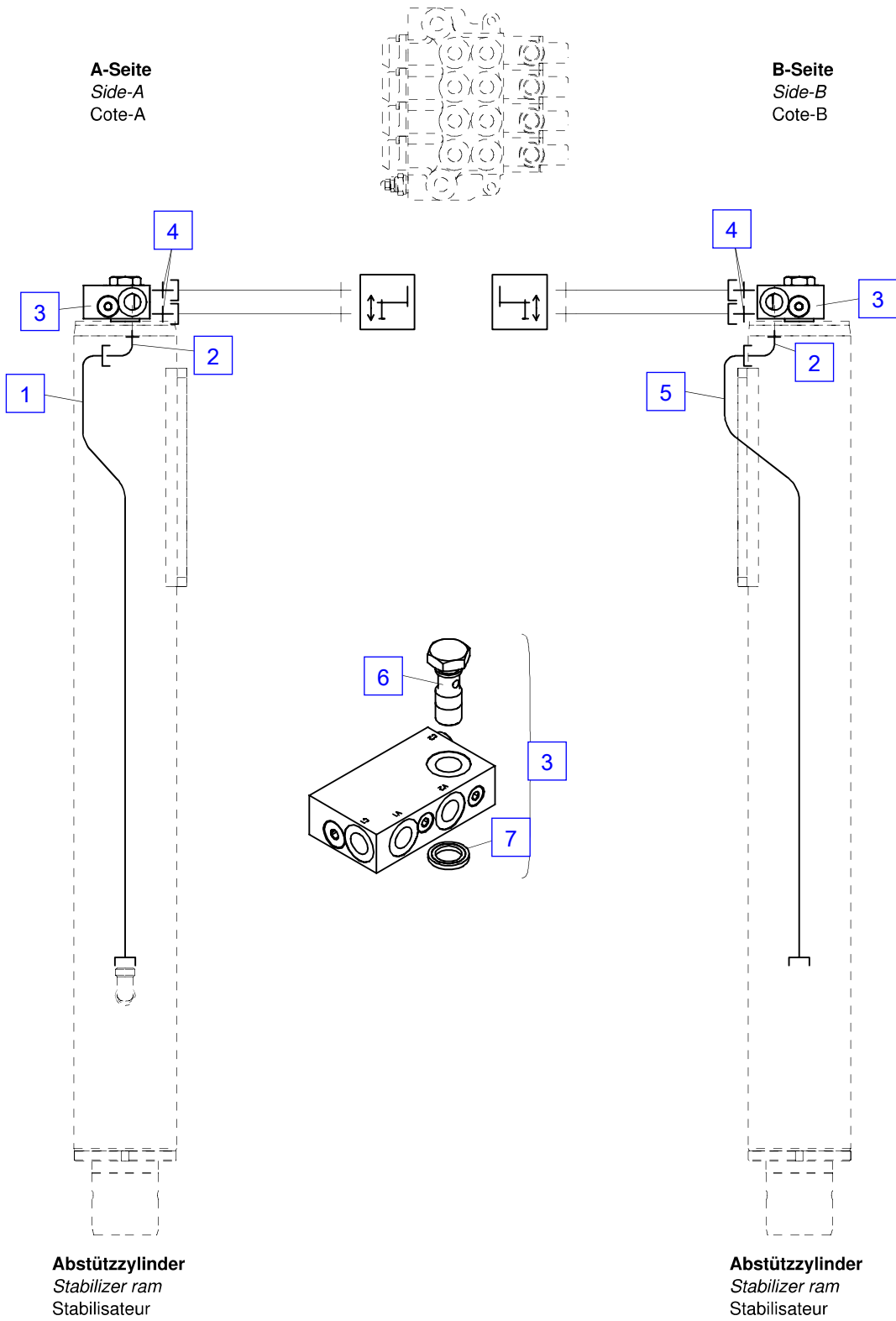
Stützteller nicht im Lieferumfang enthalten, diese müssen als Zubehör gesondert bestellt werden.

The support plates are not included in the delivery, they must be ordered separately as accessories.

Les pieds de bequille ne font pas partie de la fourniture ils doivent être commandés séparément comme accessoires.

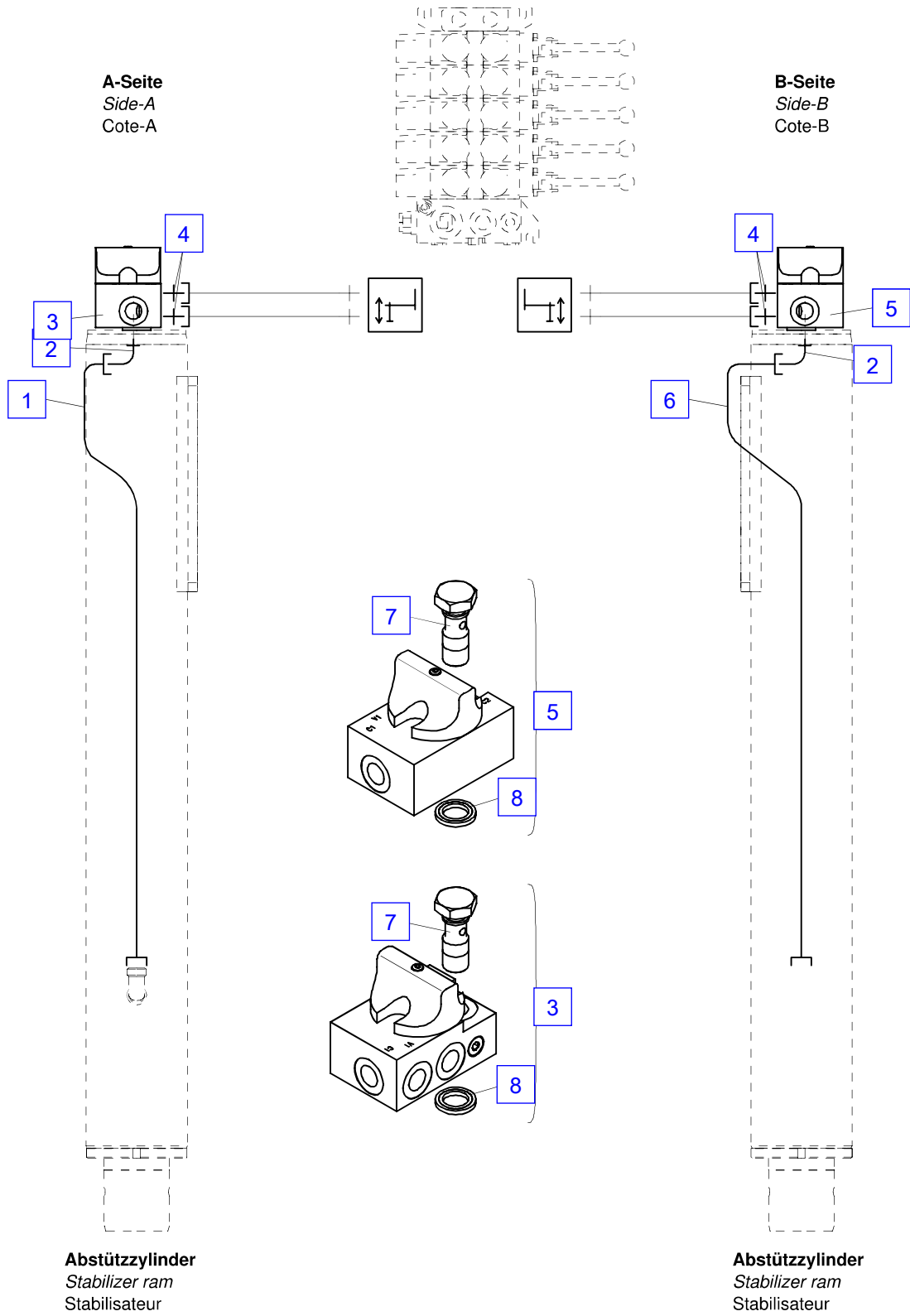
Pipes-Support STZS

No.	Spare part	Qty.	Description	Dimension
1	HLR 8509	1	Pipe	D 12
2	EA1749	2	Adaptor	WEE 12S 3/8"
3	EV4109A	2	Check valve	
	TD 264	0	Seal kit	
4	EA 039	4	Fitting	GE 12S R3/8"-ED
5	HLR 8788	1	Pipe	D 12
6	EA5792	1	Banjo bolt	
7	ED 620	1	Sealing ring	KD 3/8"



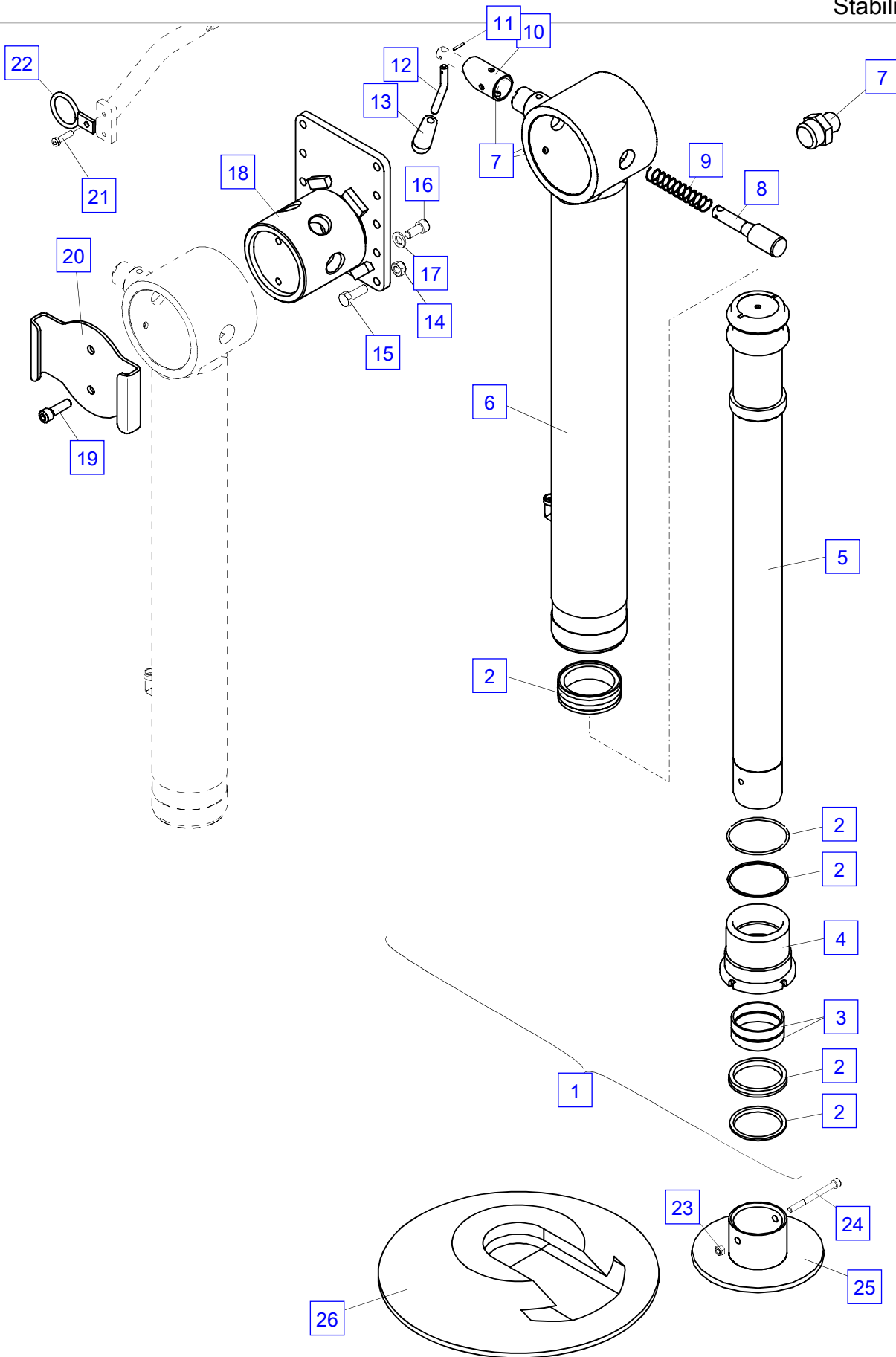
Pipes-Support STZS

No.	Spare part	Qty.	Description	Dimension
1	HLR 8509	1	Pipe	D 12
2	EA1749	2	Adaptor	WEE 12S 3/8"
3	EV4418A	1	Check valve, cpl.	
	TD 264	1	Seal kit	
	TD 848	0	Seal kit	
4	EA 039	4	Fitting	GE 12S R3/8"-ED
5	EV4110A	1	Check valve, cpl.	
	TD 264	1	Seal kit	
	TD 848	0	Seal kit	
6	HLR 8788	1	Pipe	D 12
7	EA1449	2	Banjo bolt	
8	ED 620	2	Sealing ring	KD 3/8"



Stabilizer ram-STZY

No.	Spare part	Qty.	Description	Dimension
1	UP1511	1	Stabilizer ram	l=954 mm
2	TD 596	1	Seal kit (+3)	
3	EG 051	2	Guide ring	75x70x15
4	HV 371	1	Cylinder nut	M095x2.0 d070xL090
5	HSK 084A	1	Piston rod	
6	HY1387	1	Cylinder tube	
7	EA 005	3	Grease nipple	M10x1 DIN71412
8	HI2738	1	Pin	
9	EF 061	1	Pressure spring	D 24.2.5x60
10	HX 463	1	Bushing	
11	EQ 299	1	Adapter sleeve	D 4x18 DIN 1481
12	HA6490	1	Pin	D010.0xL0095.0
13	EZ 253	1	Handle	
14	EM 023	10	Nut	M 12 DIN 985
15	ES 022	10	Screw	M 12x35 DIN 933
16	ES 041	10	Screw	M 12x25 ISO4762-10.9
17	EK 207	10	Washer	D 13 ISO7089
18	HXE1711	1	Stabilizer support	
19	ES1181	2	Screw	M12x40 ISO4762- 8.8
20	HA6446	1	Stirrup	
21	ES 275	1	Screw	M 8x30 DIN 7984
22	HXE1875	1	Hose guide	
23	EM 026	1	Nut	M 8 DIN 985
24	ES1161	1	Screw	M 8x100 ISO4762- 8.8
25	HD 008	1	Stabilizer plates	STT="Std"
25	HD 063	1	Stabilizer extension	STT="190"
26	EZ 872	1	Stabilizer plates	D 400



Stützteller nicht im Lieferumfang enthalten, diese müssen als Zubehör gesondert bestellt werden.

The support plates are not included in the delivery, they must be ordered separately as accessories.

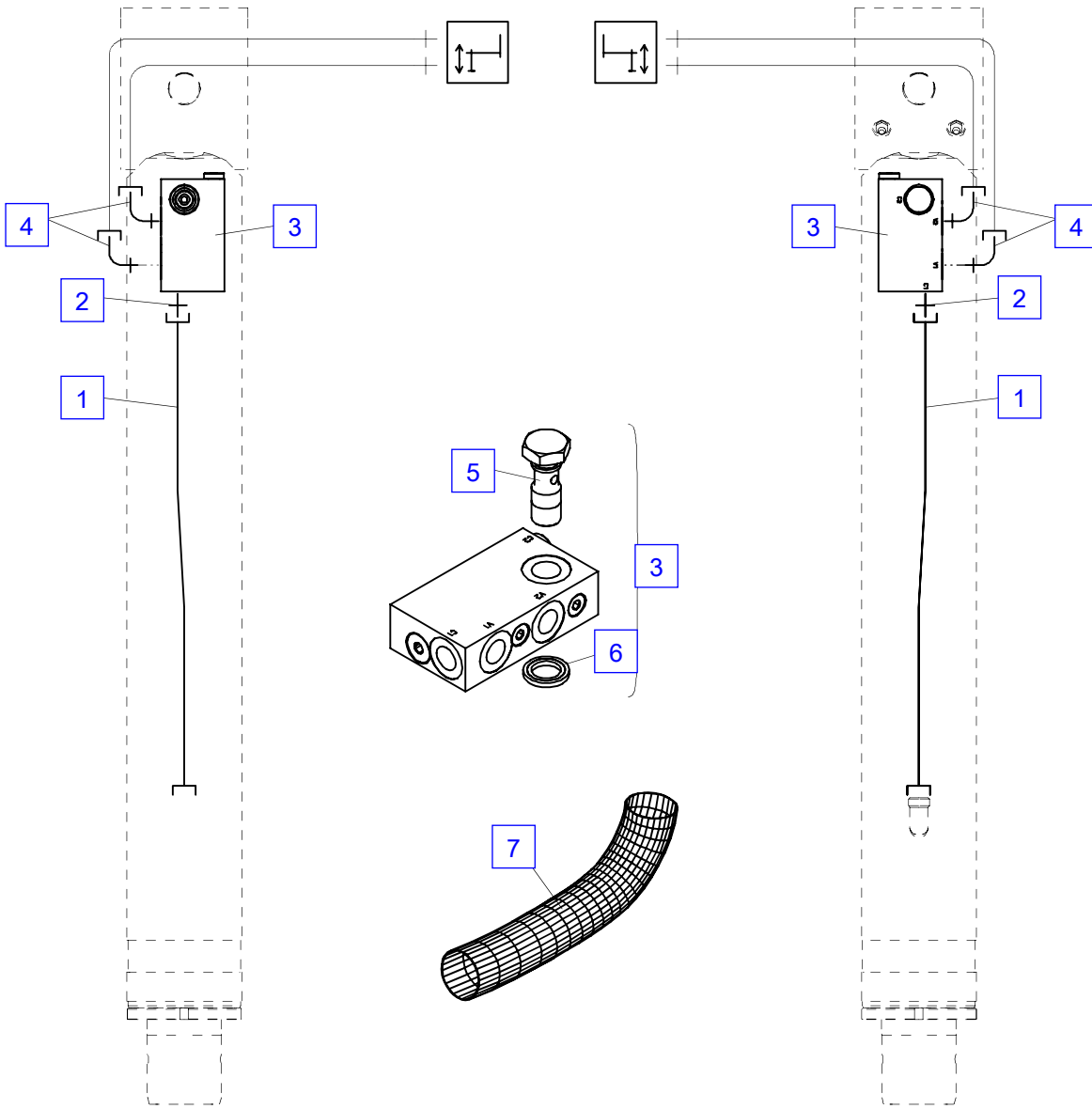
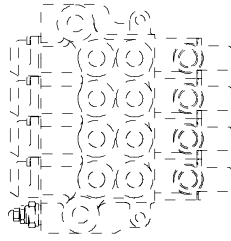
Les pieds de bequille ne font pas partie de la fourniture ils doivent être commandés séparément comme accessoires.

Pipes-Support STZY

No.	Spare part	Qty.	Description	Dimension
1	HLR 8510	2	Pipe	D 12
2	EA 039	2	Fitting	GE 12S R3/8"-ED
3	EV4109A	2	Check valve	
	TD 264	0	Seal kit	
4	EA1749	4	Adaptor	WEE 12S 3/8"
5	EA5792	1	Banjo bolt	
6	ED 620	1	Sealing ring	KD 3/8"
7	EH1487	2	Protection hose	NW 50x750

B-Seite
Side-B
Cote-B

A-Seite
Side-A
Cote-A

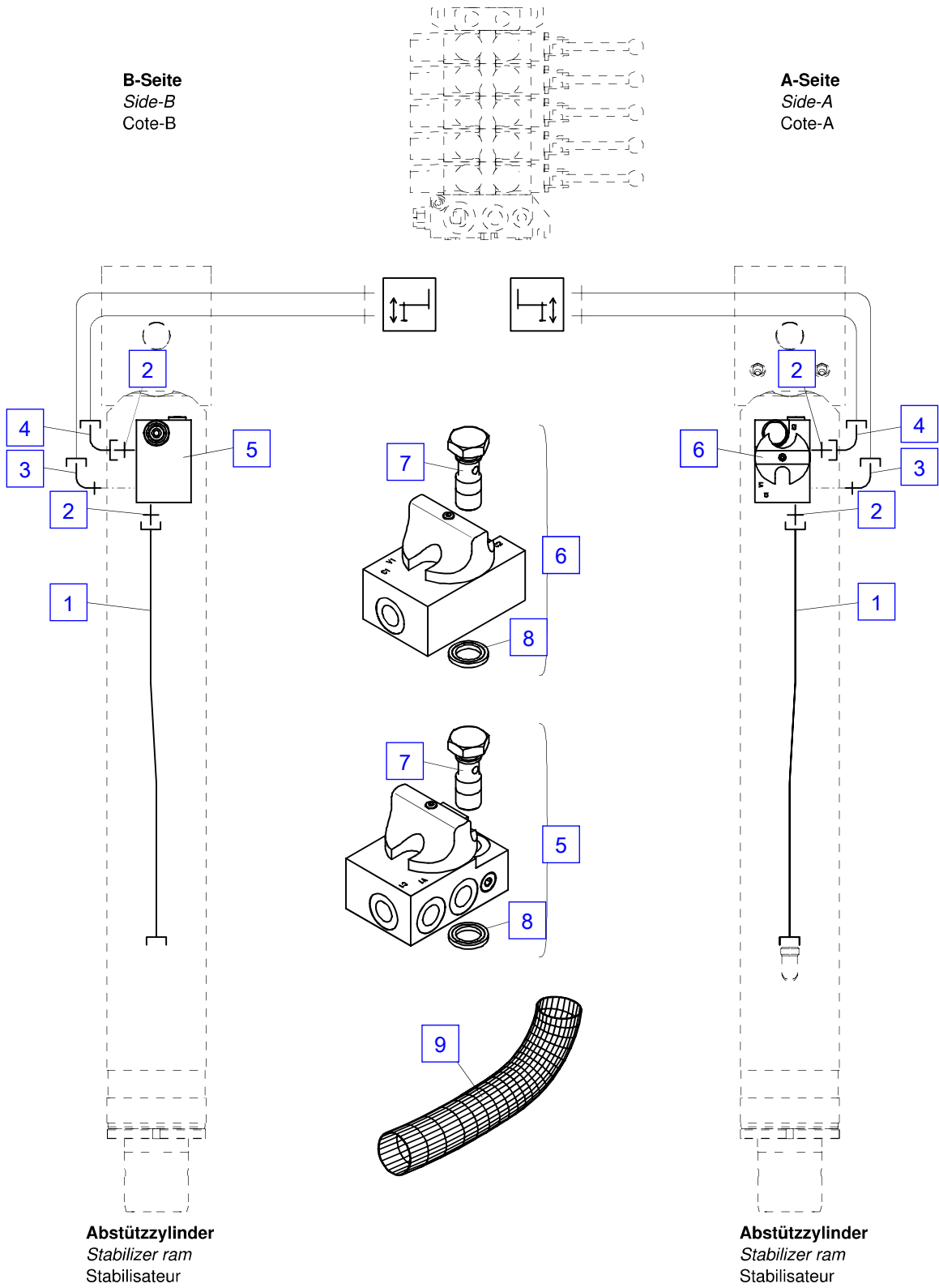


Abstützzylinder
Stabilizer ram
Stabilisateur

Abstützzylinder
Stabilizer ram
Stabilisateur

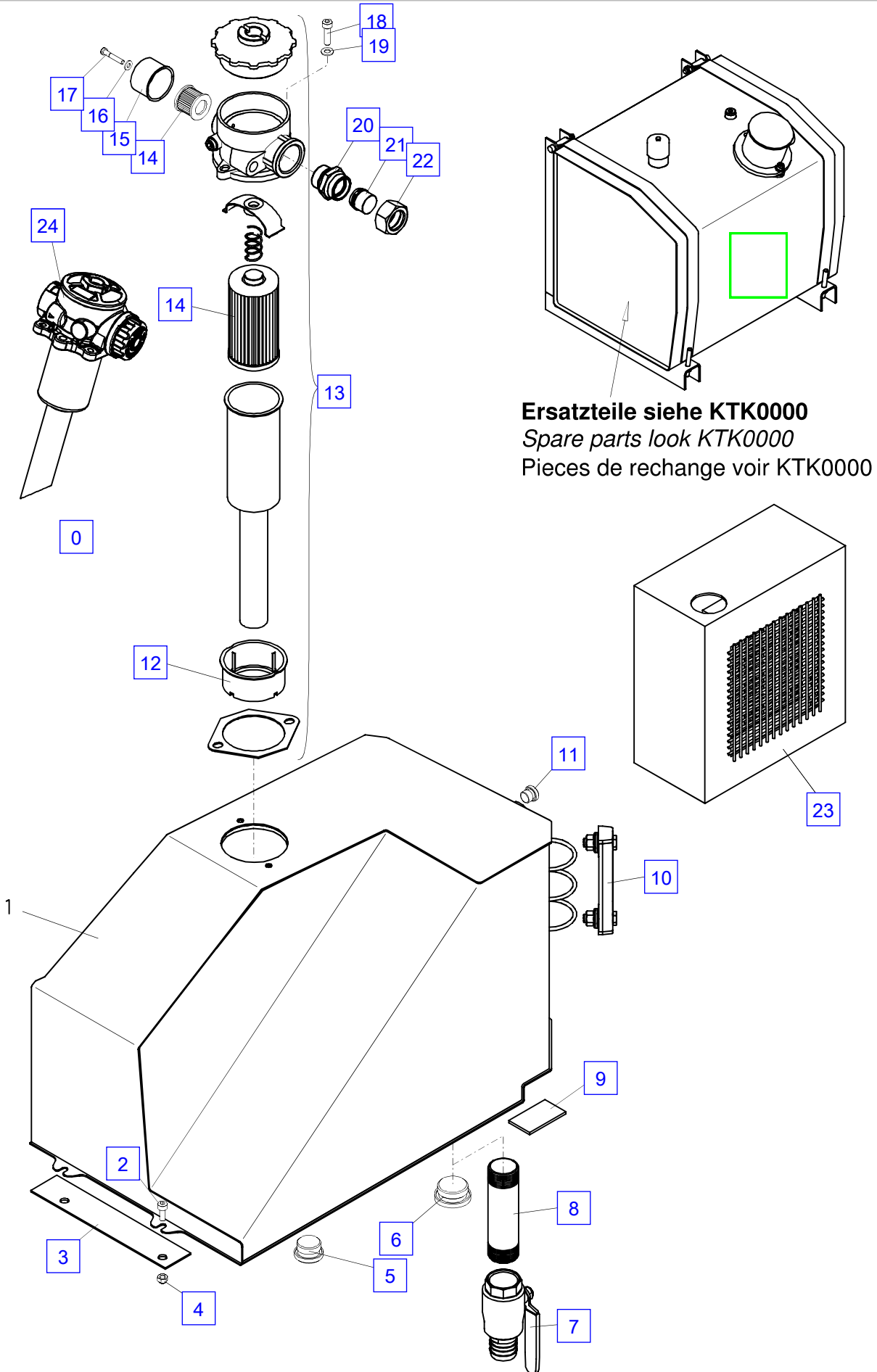
Pipes-Support STZY

No.	Spare part	Qty.	Description	Dimension
1	HLR 8805	2	Pipe	D 12
2	EA 039	4	Fitting	GE 12S R3/8"-ED
3	EA1749	2	Adaptor	WEE 12S 3/8"
4	EA 280	2	Angle fitting	EW 12 S
5	EV4418A	1	Check valve, cpl.	
	TD 264	1	Seal kit	
	TD 848	0	Seal kit	
6	EV4110A	1	Check valve, cpl.	
	TD 264	1	Seal kit	
	TD 848	0	Seal kit	
7	EA1449	2	Banjo bolt	
8	ED 620	2	Sealing ring	KD 3/8"
9	EH1487	2	Protection hose	NW 50x750



Oil cooler + Öltank

No.	Spare part	Qty.	Description	Dimension
	UT083	1	Oil tank, cpl.	70 l
	TD1776	0	Seal kit	
2	ES 265	2	Screw	M 8x20 ISO4762- 8.8
3	HTR 748	1	Rubber mat	
4	EM 026	2	Nut	M 8 DIN 985
5	EA 369	1	Locking screw	VSTI R 1/1"
6	EA1207	1	Locking screw	VSTI R 5/4"-ED
7	EA1512	1	Shut-off cock	G 1 1/4"
8	EA 163	1	Double nipple	R 1 1/4"
9	HTR 750	2	Rubber mat	
10	EA 027	1	Oil gauge	
11	EA 442	1	Locking screw	VSTI R3/8"
12	EA1688	1	Sleeve	
13	EA1411	1	Return filter, cpl. (+14)	80 l/min
	TD 519	1	Seal kit	
14	EA1412	1	Filter element	80 l/min
	BZ204S	0	Filter element, cpl. (page 100.0100)	
15	EZ1308	1	Cap + filter	
16	EK 043	1	Washer	D 6.4 DIN 134
17	ES 080	1	Screw	M 6x35 DIN 6912
18	ES 011	2	Screw	M 8x30 ISO4762-10.9
19	EK 003	2	Washer	D 8.4 ISO7089
20	EA1514	1	Fitting	GE 18-LR 1/1-ed
21	EA 344	1	Blind plug	BUZ 18 L
22	EA 238	1	Nut	M 18-L
23	BKA21	1	Oil cooler	8,5 kW 12V
	EZ1568	0	Ventilator with motor	12 V
	EZ1574	0	Screen	
	EZ1575	0	Spacing piece	
	EZ2572	0	Thermostat	ILLZTT5067K
	EZ1572	0	Temperature sensor	12 V
	EZ1574	0	Screen	
	EZ1575	0	Spacing piece	
23	BKA24	1	Oil cooler	8,5 kW 24V
	EZ1569	0	Ventilator with motor	24 V
	EZ2572	0	Thermostat	ILLZTT5067K
	EZ1573	0	Temperature sensor	24 V
24	EA1411A	1	Return filter, cpl.	80 l/min
	EA1528	0	Filter cover	
	EZ6006	0	Cap + filter	
	EA5811	0	Filter element	80 l/min

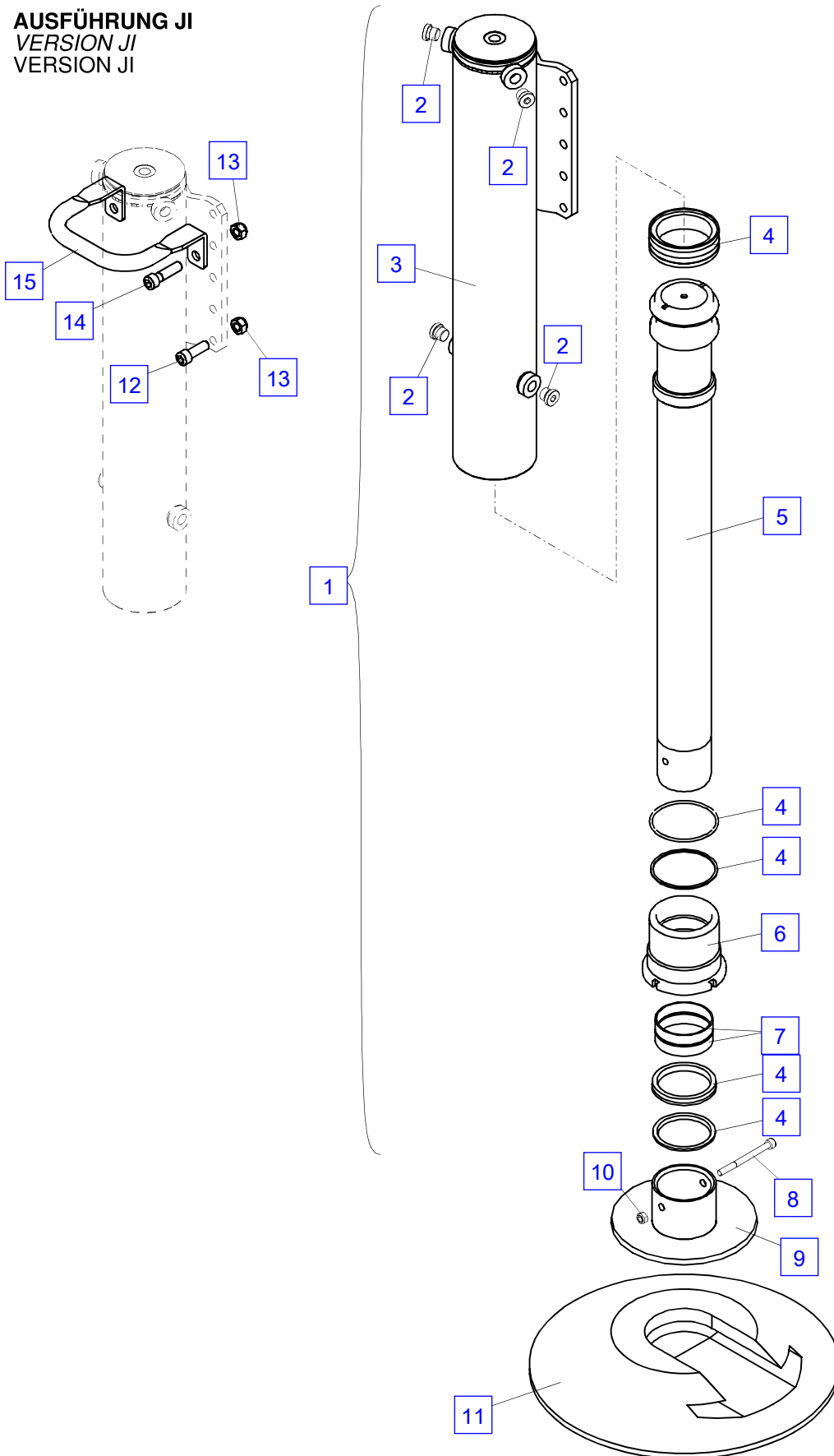


Ersatzteile siehe KTK0000
Spare parts look KTK0000
Pièces de rechange voir KTK0000

Stabilizer ram-STZS

No.	Spare part	Qty.	Description	Dimension
1	UP1095	1	Stabilizer ram	l=782-1202 mm
2	EA 442	4	Locking screw	VSTI R3/8"
3	HY1052	1	Cylinder tube	
4	TD 596	1	Seal kit (+7)	
5	HSK 109A	1	Piston rod	
6	HV 371	1	Cylinder nut	M095x2.0 d070xL090
7	EG 051	2	Guide ring	75x70x15
8	ES1161	1	Screw	M 8x100 ISO4762- 8.8
9	HD 008	1	Stabilizer plates	STT="Std"
9	HD 063	1	Stabilizer extension	STT="190"
10	EM 026	1	Nut	M 8 DIN 985
11	EZ 872	1	Stabilizer plates	D 400
12	ES 157	8	Screw	M 12x35 ISO4762-10.9
13	EM 023	10	Nut	M 12 DIN 985
14	ES 173	2	Screw	M 12x45 ISO4762-10.9
15	HAU 197	1	Stirrup	

AUSFÜHRUNG JI
VERSION JI
VERSION JI



Stützteller nicht im Lieferumfang enthalten, diese müssen als Zubehör gesondert bestellt werden.
The support plates are not included in the delivery, they must be ordered separately as accessories.
Les pieds de bequille ne font pas partie de la fourniture ils doivent être commandés séparément comme accessoires.

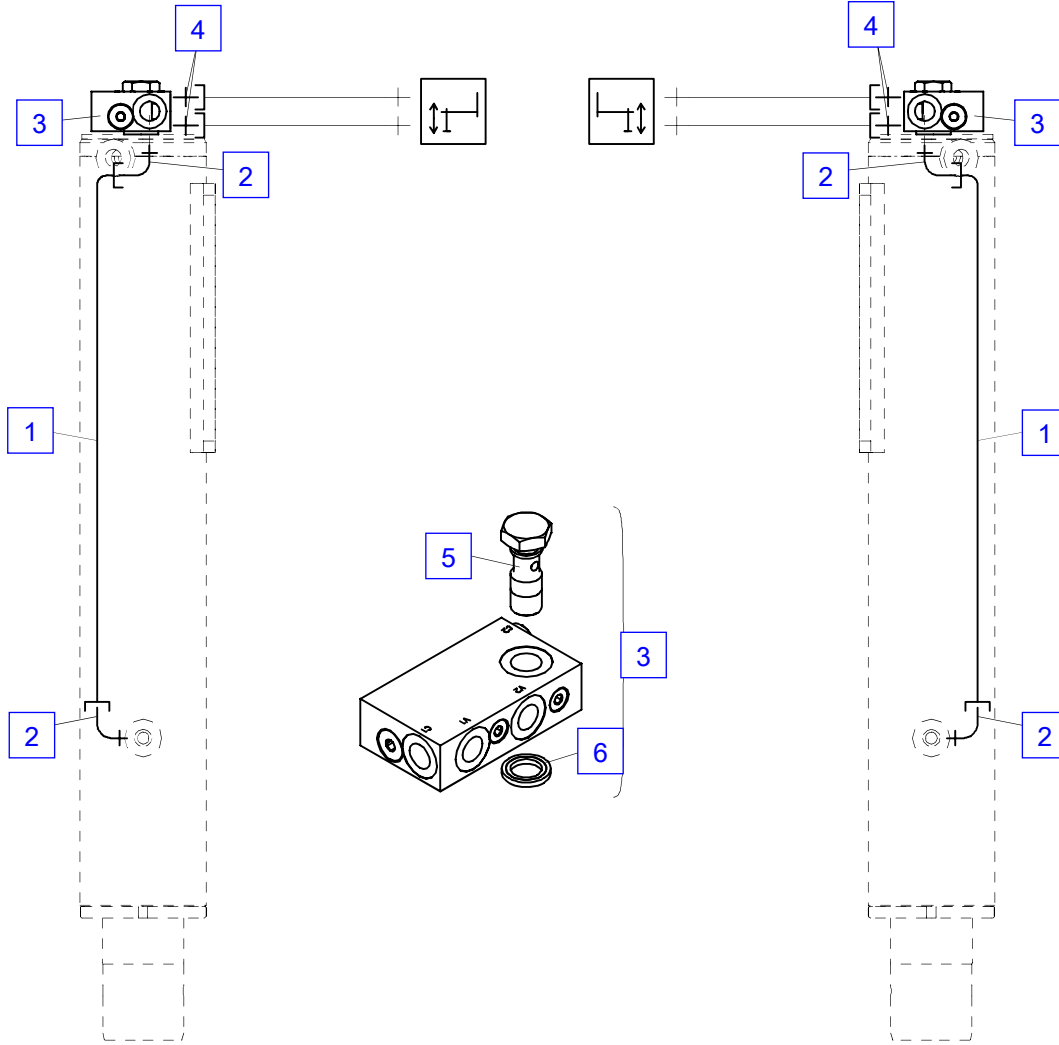
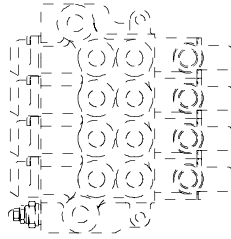
Pipes-Support STZS

No.	Spare part	Qty.	Description	Dimension
1	HLR 9284JI	2	Pipe	D 12
2	EA 942	4	Angle fitting	8C40XS
3	EV4109A	2	Check valve	
	TD 264	0	Seal kit	
4	EA 928	4	Fitting	8F40XS
5	EA5792	1	Banjo bolt	
6	ED 620	1	Sealing ring	KD 3/8"

AUSFÜHRUNG JI
VERSION JI
VERSION JI

A-Seite
Side-A
Cote-A

B-Seite
Side-B
Cote-B



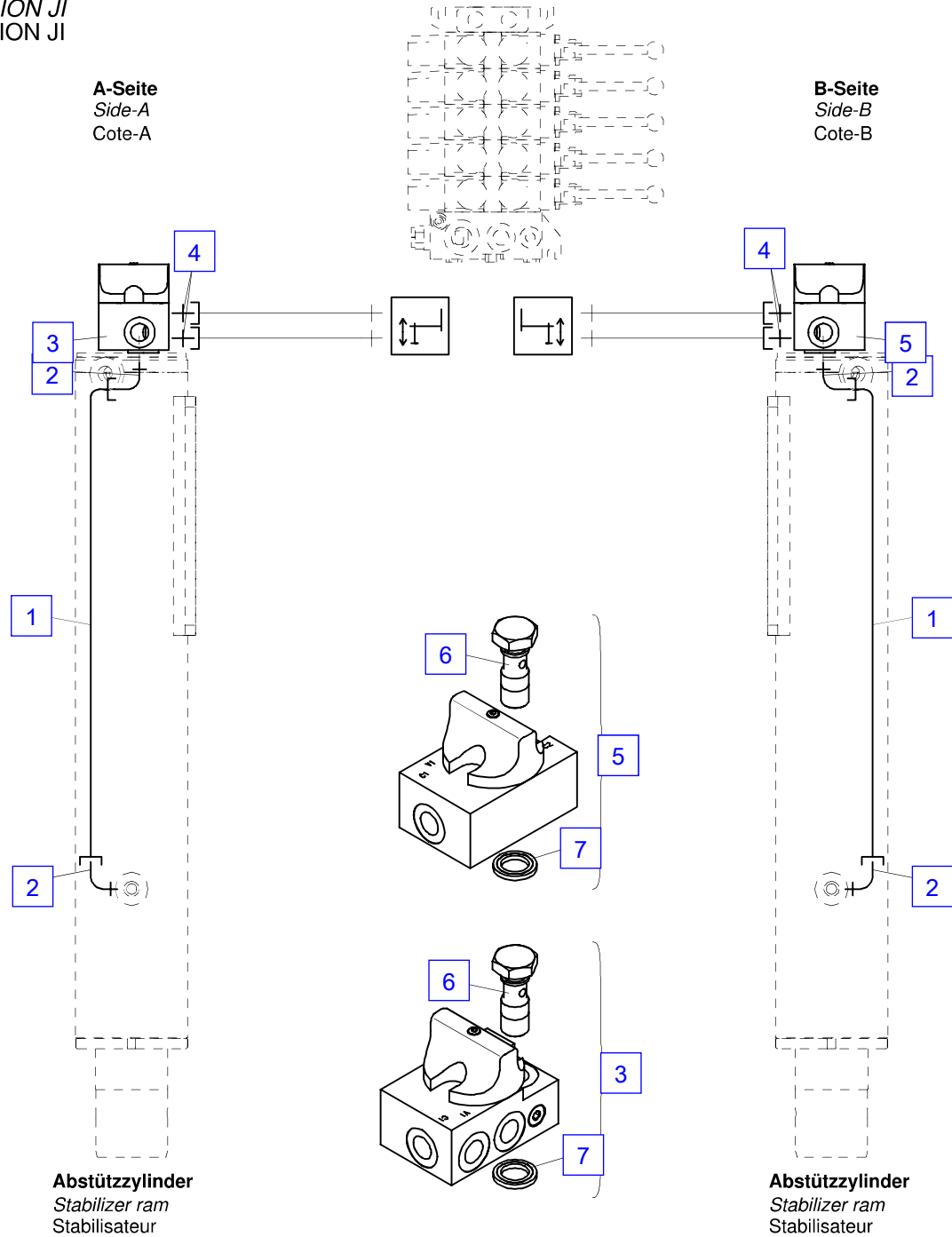
Abstützylinder
Stabilizer ram
Stabilisateur

Abstützylinder
Stabilizer ram
Stabilisateur

Pipes-Support STZS

No.	Spare part	Qty.	Description	Dimension
1	HLR 9284JI	2	Pipe	D 12
2	EA 942	4	Angle fitting	8C40XS
3	EV4418A	1	Check valve, cpl.	
	TD 264	1	Seal kit	
	TD 848	0	Seal kit	
4	EA 928	4	Fitting	8F40XS
5	EV4110A	1	Check valve, cpl.	
	TD 264	1	Seal kit	
	TD 848	0	Seal kit	
6	EA1449	2	Banjo bolt	
7	ED 620	2	Sealing ring	KD 3/8"

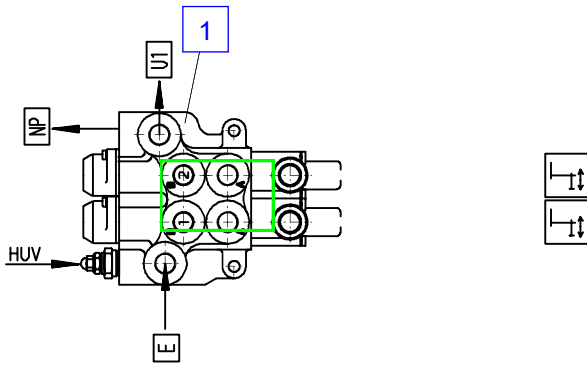
AUSFÜHRUNG JI
VERSION JI
VERSION JI



Control valve-stabil.

No.	Spare part	Qty.	Description	Dimension
1	KSC00012A	1	Control valve (2-sections) cpl.(2-sections) (R1,R2)	
	EV4410	1	Control valve	VDM07
	EA 039	0	Fitting	GE 12S R3/8"-ED
	EA 746	0	Locking screw	vsti M 18x1.5
	EA 769	0	Fitting	GE 16 SR 3/8"-ED
	HLA 376	0	Fitting	GE 18L R3/8"-ED
1	KSC00234A	1	Control valve (2-sections) (2-sections) (RSQ 240 RC)	
	EV4410	1	Control valve	VDM07
	EA 039	0	Fitting	GE 12S R3/8"-ED
	EA 746	0	Locking screw	vsti M 18x1.5
	HLA 376	0	Fitting	GE 18L R3/8"-ED
2	KSC00013A	1	Control valve (4-sections) cpl.(4-sections) (R2X,R3X)	
	EV4411	1	Control valve	VDM07
	EA 039	0	Fitting	GE 12S R3/8"-ED
	EZ3289	0	Restrictor	2.2 mm
	EA 746	0	Locking screw	vsti M 18x1.5
	EA 769	0	Fitting	GE 16 SR 3/8"-ED
	HLA 376	0	Fitting	GE 18L R3/8"-ED
	EZ3289	0	Restrictor	2.2 mm
2	KSC00235A	1	Control valve (4-sections) cpl.(4-sections) (RSQ 240 RC)	
	EV4411	1	Control valve	VDM07
	EA 039	0	Fitting	GE 12S R3/8"-ED
	EA 746	0	Locking screw	vsti M 18x1.5
	HLA 376	0	Fitting	GE 18L R3/8"-ED

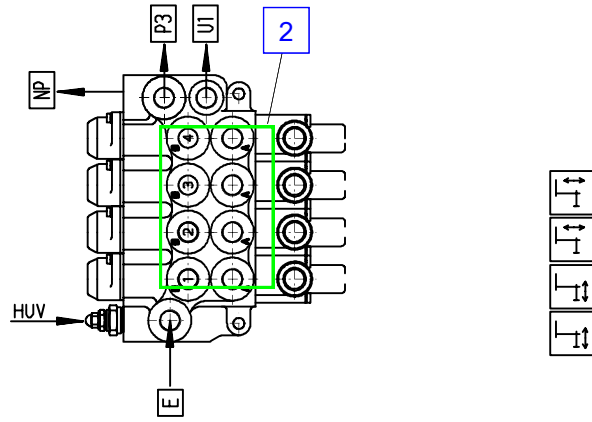
**R1,R2
RSQ 240 RC**



Ersatzteile siehe KSC0000
Spare parts look KSC0000
Pieces de rechange voir KSC0000

R1,R2(RSQ 240 RC)

**R2X,R3X
RSQ 240 RC**



Ersatzteile siehe KSC0000
Spare parts look KSC0000
Pieces de rechange voir KSC0000

R3X(RSQ 240 RC)

KSC00234A / EV-4410

	Ventil Valve Soupape	Druck/bar Pressure/bar Pression/bar	Verschraubung Adaptor Raccord	Drossel Restrictor Etranglement	Hebel Leve Lever	Element Element Element
HUV	EV-990	160				
P	E		EA-039			
T	U1 NP		HLA-376 EA-746			
1	A B	---	EA-039 EA-039	-		
2	A B	---	EA-039 EA-039	-		

KSC00235A / EV-4411

	Ventil Valve Soupape	Druck/bar Pressure/bar Pression/bar	Verschraubung Adaptor Raccord	Drossel Restrictor Etranglement	Hebel Leve Lever	Element Element Element
HUV	EV-990	160				
P	E		EA-039			
T	P3 U1 NP		EA-746 HLA-376 EA-746			
1	A B	---	EA-039 EA-039	-		
2	A B	---	EA-039 EA-039	-		
3	A B	---	EA-039	EZ3289		
4	A B	---	EA-039	EZ3289		

R1,R2

KSC00012A / EV-4410

	Ventil Valve Soupape	Druck/bar Pressure/bar Pression/bar	Verschraubung Adaptor Raccord	Drossel Restrictor Etranglement	Hebel Leve Lever	Element Element Element
HUV	EV-990	160				
P	E		EA-769			
T	U1 NP		HLA-376 EA-746			
1	A B	---	EA-039 EA-039	-		
2	A B	---	EA-039 EA-039	-		

R2X,R3X

KSC00013A / EV-4411

	Ventil Valve Soupape	Druck/bar Pressure/bar Pression/bar	Verschraubung Adaptor Raccord	Drossel Restrictor Etranglement	Hebel Leve Lever	Element Element Element
HUV	EV-990	160				
P	E		EA-769			
T	P3 U1 NP		EA-746 HLA-376 EA-746			
1	A B	---	EA-039 EA-039	-		
2	A B	---	EA-039 EA-039	-		
3	A B	---	EA-039	EZ3289		
4	A B	---	EA-039	EZ3289		

Steuerventil Control valve Distributeur de commande

KSC = mit Verschraubungen und Ventilen
KSC = with adaptors and valves
KSC = avec raccords et soupapes

HUV = Hauptüberdruckventil
HUV = Main relief valve
HUV = Soupape de surpression principal

O = mit Überlastsicherung F = ferngesteuert
O = with overload protection F = remote controlled
O = avec soupape de surcharge F = télécommand

EV = KSC ohne Verschraubungen und Ventilen
EV = KSC without adaptors and valves
EV = KSC sans raccords et soupapes

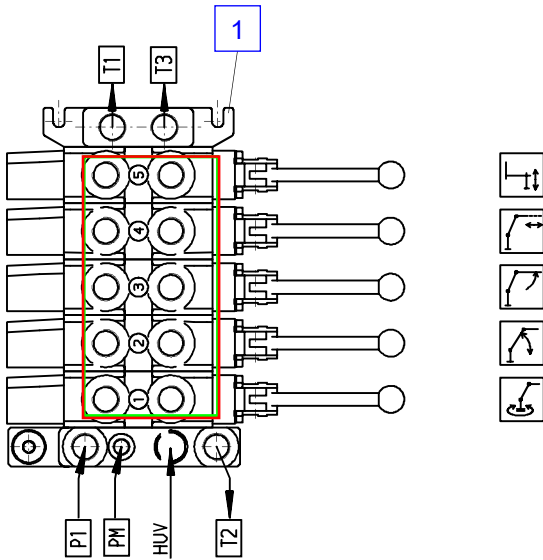
P,T = Versorgungsanschlüsse
P,T = Supply connections
P,T = Raccords de alimentation

x = offene Nullstellung - Schieberstange muß gesondert bestellt werden
x = neutral position open - Spool must be ordered separately
x = position neutral ouvert - on doit ordre le tiroir de distributeur separe

Control valve-F

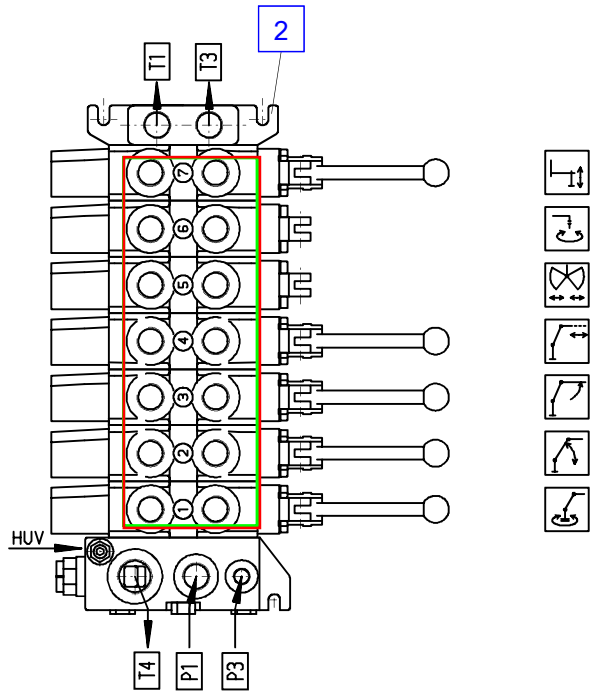
No.	Spare part	Qty.	Description	Dimension
1	EV5623	1	Control valve cpl.(5-sections) without EA.,EV.,HH.	
	EA 074	0	Fitting	GE 16S R1/2"-ED
	EA 183	0	Fitting	GE 12S R1/2"-ED
	EA 240	0	Fitting	GE 18 L R1/2"
	EA1646	0	Fitting	GE 12K R1/2" ED
	EA1645	1	Circlip	WEO 1/2"
2	EV5624	1	Control valve cpl.(7-sections) without EA.,EV.,HH.	
	EA 074	0	Fitting	GE 16S R1/2"-ED
	EA 183	0	Fitting	GE 12S R1/2"-ED
	EA 261	0	Locking screw	VSTI R1/2"
	EA1646	0	Fitting	GE 12K R1/2" ED
	EA1645	1	Circlip	WEO 1/2"

F



Ersatzteile siehe KSC0000
 Spare parts look KSC0000
 Pieces de rechange voir KSC0000

F



Ersatzteile siehe KSC0000
 Spare parts look KSC0000
 Pieces de rechange voir KSC0000

/ EV-5623							/ EV-5624								
	Ventil Valve Soupape	Druck/bar Pressure/bar Pression/bar	Verschraubung Adaptor Raccord	Drossel Restrictor Etranglement	Hebel Leve Lever	Element Element Element		Ventil Valve Soupape	Druck/bar Pressure/bar Pression/bar	Verschraubung Adaptor Raccord	Drossel Restrictor Etranglement	Hebel Leve Lever	Element Element Element		
HUV	EV-5118						HUV	EV-2718							
P	P1		EA-074				P	P1		EA-074					
T	T1		EA-240				T	P3		EA-716					
	T2		-					T1		-					
	T3		-					T3		-					
1	A EV-043	160	EA-590	HD-376		HH-425	EV-5656	1	A EV-043	160	EA-590	HD-376	HH-425	EV-5663	
	B EV-043	160	EA-590	HD-376					B EV-043	160	EA-590	HD-376			
2	A EV-044	330	EA-1646	-	0	HH-411	EV-5657	2	A EV-044	330	EA-1646	-	0	HH-411	EV-5664
	B EV-044	120	EA-1646	-			EV-5659		B EV-044	120	EA-1646	-		EV-5033	
3	A -----	---	EA-1646	-		HH-411	EV-5659	3	A -----	---	EA-1646	-		HH-411	EV-5666
	B -----	---	EA-1646	-					B -----	---	EA-1646	-			
4	A -----	---	EA-1646	-		HH-411	EV-5661	4	A -----	---	EA-1646	-		HH-411	EV-5667
	B -----	---	EA-1646	-					B -----	---	EA-1646	-			
5	A EV-044	080	EA-183	-		HH-427	EV-5027	5	A EV-049	---	EA-261	-		-	EV-5027
	B EV-049	---	EA-183	-					B EV-049	---	EA-261	-			
								6	A EV-049	---	EA-261	-		-	EV-5027
									B EV-049	---	EA-261	-			
								7	A EV-049	---	EA-183	-		-	EV-5027
									B EV-049	---	EA-183	-			

Steuerventil *Control valve* **Distributeur de commande**

KSC = mit Verschraubungen und Ventilen
 KSC = with adaptors and valves
 KSC = avec raccords et soupapes

HUV = Hauptüberdruckventil
 HUV = Main relief valve
 HUV = Soupape de surpression principal

O = mit Überlastsicherung
 O = with overload protection
 O = avec soupape de surcharge

F = ferngesteuert
 F = remote controlled
 F = télécommand

EV = KSC ohne Verschraubungen und Ventilen
 EV = KSC without adaptors and valves
 EV = KSC sans raccords et soupapes

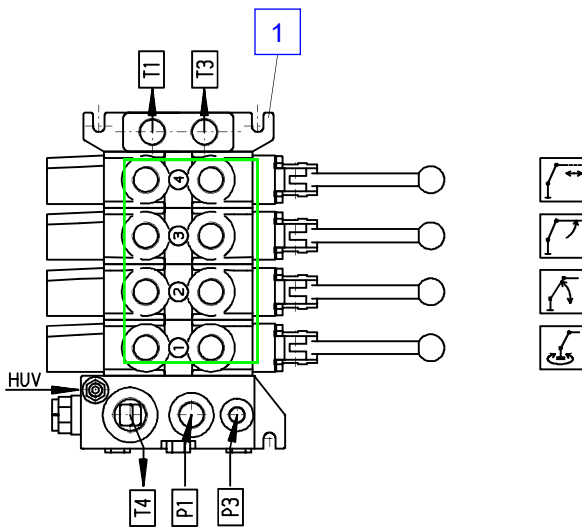
P,T = Versorgungsanschlüsse
 P,T = Supply connections
 P,T = Raccords de alimentation

x = offene Nullstellung - Schieberstange muß gesondert bestellt werden
 x = neutral position open - Spool must be ordered separately
 x = position neutral ouvert - on doit ordre le tiroir de distributeur separe

Control valve-F,H-KL0

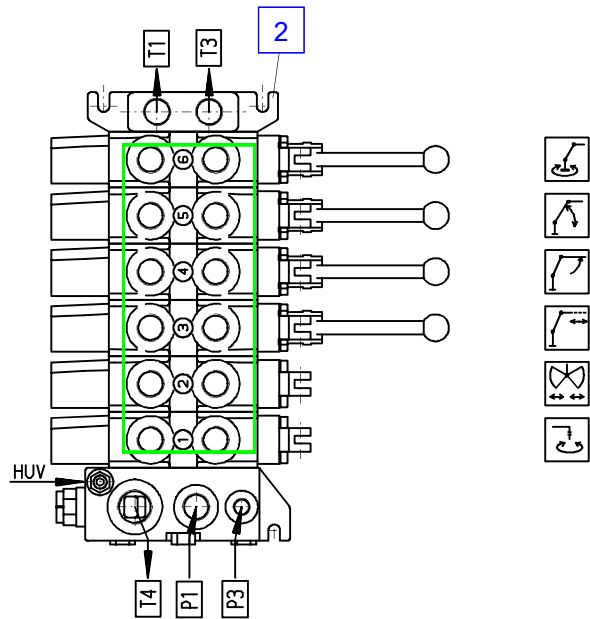
No.	Spare part	Qty.	Description	Dimension
1	EV5622	1	Control valve cpl.(4-sections) without EA.,EV.,HH.	
	EA 074	0	Fitting	GE 16S R1/2"-ED
	EA 240	0	Fitting	GE 18 L R1/2"
	EA 243	0	Fitting	GE 18 L R3/4"
	EA1646	0	Fitting	GE 12K R1/2" ED
	EA1645	1	Circlip	WEO 1/2"
2	EV5625	1	Control valve cpl.(6-sections) without EA.,EV.,HH.	
	EA 074	0	Fitting	GE 16S R1/2"-ED
	EA 243	0	Fitting	GE 18 L R3/4"
	EA 261	0	Locking screw	VSTI R1/2"
	EA1646	0	Fitting	GE 12K R1/2" ED
	EA1645	1	Circlip	WEO 1/2"

F



Ersatzteile siehe KSC0000
 Spare parts look KSC0000
 Pieces de rechange voir KSC0000

H HH-433 (—>0722793)
HH-433A (0722794—>)



Ersatzteile siehe KSC0000
 Spare parts look KSC0000
 Pieces de rechange voir KSC0000

/ EV-5622							/ EV-5625						
	Ventil Valve Soupape	Druck/bar Pressure/bar Pression/bar	Verschraubung Adaptor Raccord	Drossel Restrictor Etranglement	Hebel Leve Lever	Element Element Element		Ventil Valve Soupape	Druck/bar Pressure/bar Pression/bar	Verschraubung Adaptor Raccord	Drossel Restrictor Etranglement	Hebel Leve Lever	Element Element Element
HUV	EV-2718						HUV	EV-2718					
P	P1		EA-074				P	P1		EA-074			
	P3		EA-716					P3		EA-716			
T	T1		EA-074				T	T1		EA-074			
	T3		EA-240					T3		-			
	T4		EA-243					T4		EA-243			
1	A EV-043	160	EA-590	HD-376		HH-425	EV-5663	1	A EV-049	---	EA-261	-	EV-5027
	B EV-043	160	EA-590	HD-376					B EV-049	---	EA-261	-	
2	A EV-044	330	EA-1646	-	0	HH-411	EV-5664	2	A EV-049	---	EA-261	-	EV-5027
	B EV-044	120	EA-1646	-			EV-5033		B EV-049	---	EA-261	-	
3	A -----	---	EA-1646	-		HH-411	EV-5666	3	A -----	---	EA-1646	-	HH-433
	B -----	---	EA-1646	-					B -----	---	EA-1646	-	HH-433A
4	A -----	---	EA-1646	-		HH-411	EV-5667	4	A -----	---	EA-1646	-	HH-433
	B -----	---	EA-1646	-					B -----	---	EA-1646	-	HH-433A
	A EV-044	120	EA-1646	-	0	HH-433	EV-5665	5	A EV-044	120	EA-1646	-	HH-433
	B EV-044	330	EA-1646	-		HH-433A	EV-5034		B EV-044	330	EA-1646	-	HH-433A
	A EV-043	160	EA-590	HD-376		HH-433	EV-5663	6	A EV-043	160	EA-590	HD-376	HH-433
	B EV-043	160	EA-590	HD-376		HH-433A			B EV-043	160	EA-590	HD-376	HH-433A

Steuerventil Control valve Distributeur de commande

KSC = mit Verschraubungen und Ventilen
 KSC = with adaptors and valves
 KSC = avec raccords et soupapes

HUV = Hauptüberdruckventil
 HUV = Main relief valve
 HUV = Soupape de surpression principal

O = mit Überlastsicherung
 O = with overload protection
 O = avec soupape de surcharge

F = ferngesteuert
 F = remote controlled
 F = télécommand

EV = KSC ohne Verschraubungen und Ventilen
 EV = KSC without adaptors and valves
 EV = KSC sans raccords et soupapes

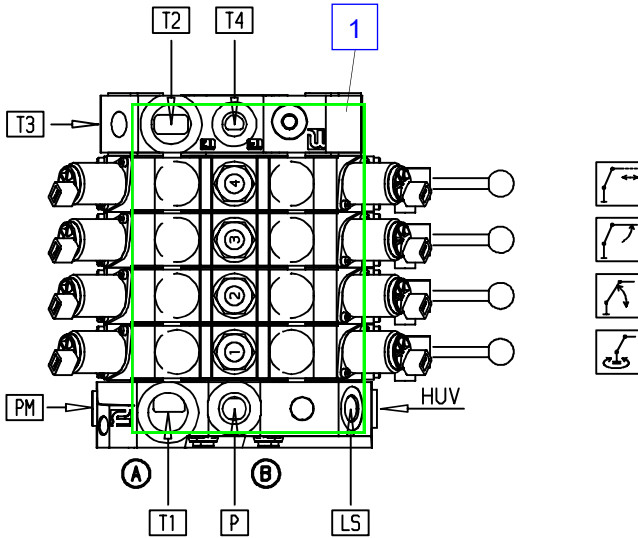
P,T = Versorgungsanschlüsse
 P,T = Supply connections
 P,T = Raccords de alimentation

x = offene Nullstellung - Schieberstange muß gesondert bestellt werden
 x = neutral positon open - Spool must be ordered separatly
 x = position neutral ouvert - on doit ordre le tiroir de distributeur separe

Control valve RSQ 240 RC

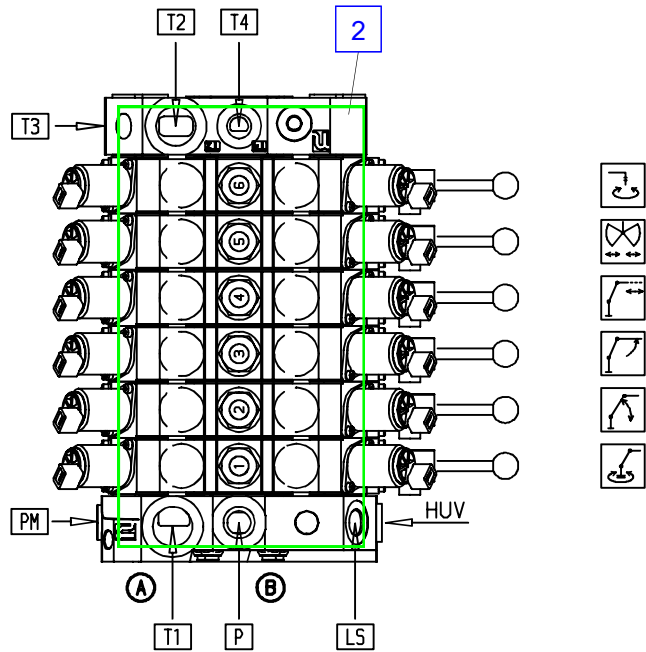
No.	Spare part	Qty.	Description	Dimension
1	EV4961-12V	1	Control valve cpl.(4-sections) (for overload protection)	12V
	EV4961Z-12V	0	Control valve cpl.(4-sections) (without overload protection)	12V
	EV4961	0	Control valve cpl.(4-sections) (for overload protection)	24V
	EV4961Z-24V	0	Control valve cpl.(4-sections) (without overload protection)	24V
	EA 033	0	Fitting	GE 16 SR 3/4"ED
	EA 183	0	Fitting	GE 12S R1/2"-ED
	EA1052	0	Fitting	GE 8 S R3/8"
	EA1514	0	Fitting	GE 18-LR 1/1-ed
2	EV4966-12V	1	Control valve	12V
	EV4966	0	Control valve cpl.(6-sections) without EA.,EV.,HH.	24V
	EA 033	0	Fitting	GE 16 SR 3/4"ED
	EA 183	0	Fitting	GE 12S R1/2"-ED
	EA1052	0	Fitting	GE 8 S R3/8"
	EA1514	0	Fitting	GE 18-LR 1/1-ed

RSQ 240 RC



Ersatzteile siehe KSC0000
 Spare parts look KSC0000
 Pieces de rechange voir KSC0000

RSQ 240 RC



Ersatzteile siehe KSC0000
 Spare parts look KSC0000
 Pieces de rechange voir KSC0000

/ EV-4961							/ EV-4966							
	Ventil Valve Soupape	Druck/bar Pressure/bar Pression/bar	Verschraubung Adaptor Raccord	Drossel Restrictor Etranglement	Hebel Leve Levier	Element Element Element		Ventil Valve Soupape	Druck/bar Pressure/bar Pression/bar	Verschraubung Adaptor Raccord	Drossel Restrictor Etranglement	Hebel Leve Levier	Element Element Element	
HUV	EV-2718						HUV	EV-2718						
P			EA-033				P			EA-033				
PM			EA-716				PM			EA-716				
LS			-				LS			-				
T1			EA-1514				T1			EA-1514				
T2			EA-1514				T2			EA-1514				
T3			EA-1052				T3			EA-1052				
T4			EA-183				T4			EA-183				
1	A EV-4560	160	EA-590	HD-376		HH-439	EV-4951	A EV-4560	160	EA-590	HD-376	HH-439	EV-4951	
	B EV-4560	160	EA-590	HD-376				B EV-4560	160	EA-590	HD-376			
2	A EV-4935	120	EA-1646	-	0	HH-439	EV-4952	A EV-4935	120	EA-1646	-	0	HH-439	EV-4952
	B EV-5117	325	EA-1646	-			EV-6239	B EV-5117	325	EA-1646	-		EV-6239	
3	A EV-4935	175	EA-1646	-		HH-439	EV-4953	A EV-4935	175	EA-1646	-		HH-439	EV-4953
	B EV-5117	325	EA-1646	-				B EV-5117	325	EA-1646	-			
4	A -----	---	EA-1646	-		HH-439	EV-4954	A -----	---	EA-1646	-		HH-439	EV-4954
	B -----	---	EA-1646	-				B -----	---	EA-1646	-			
5	A EV-4546	-	EA-1646	-		HH-439	EV-4955	A EV-4546	-	EA-1646	-		HH-439	EV-4955
	B EV-4546	-	EA-1646	-				B EV-4546	-	EA-1646	-			
6	A EV-4546	-	EA-1646	-		HH-439	EV-4955	A EV-4546	-	EA-1646	-		HH-439	EV-4955
	B EV-4546	-	EA-1646	-				B EV-4546	-	EA-1646	-			

Steuerventil Control valve Distributeur de commande

KSC = mit Verschraubungen und Ventilen
 KSC = with adaptors and valves
 KSC = avec raccords et soupapes

HUV = Hauptüberdruckventil
 HUV = Main relief valve
 HUV = Soupape de surpression principal

O = mit Überlastsicherung
 O = with overload protection
 O = avec soupape de surcharge

F = ferngesteuert
 F = remote controlled
 F = télécommand

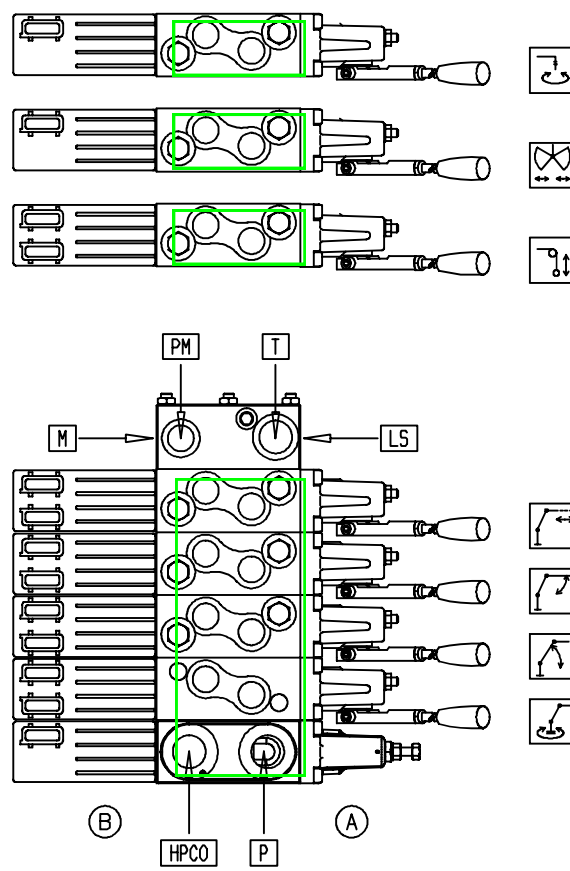
EV = KSC ohne Verschraubungen und Ventilen
 EV = KSC without adaptors and valves
 EV = KSC sans raccords et soupapes

P,T = Versorgungsanschlüsse
 P,T = Supply connections
 P,T = Raccords de alimentation

x = offene Nullstellung - Schieberstange muß gesondert bestellt werden
 x = neutral position open - Spool must be ordered separately
 x = position neutral ouvert - on doit ordre le tiroir de distributeur separe

Control valve-RC001

No.	Spare part	Qty.	Description	Dimension
1	KSC00045B	1	Control valve	RC001
	EA 033	0	Fitting	GE 16 SR 3/4"ED
	EA 089	0	Fitting	GE 08S R1/4"-ED
	EA 097	0	Fitting	GE 20S R3/4"-ED
	EA 261	0	Locking screw	VSTI R1/2"
	EA 330	0	Fitting	GE 22-L 3/4"-ED
	EA 590	0	Fitting	GE 12 SR 1/2"ED
	EA 716	0	Dial gauge connection	EMA3 R1/4"
	EA1646	0	Fitting	GE 12K R1/2" ED
	EA1645	1	Circlip	WEO 1/2"
	HD 376	0	Restrictor	D 1,5 mm



Ersatzteile siehe PVG32

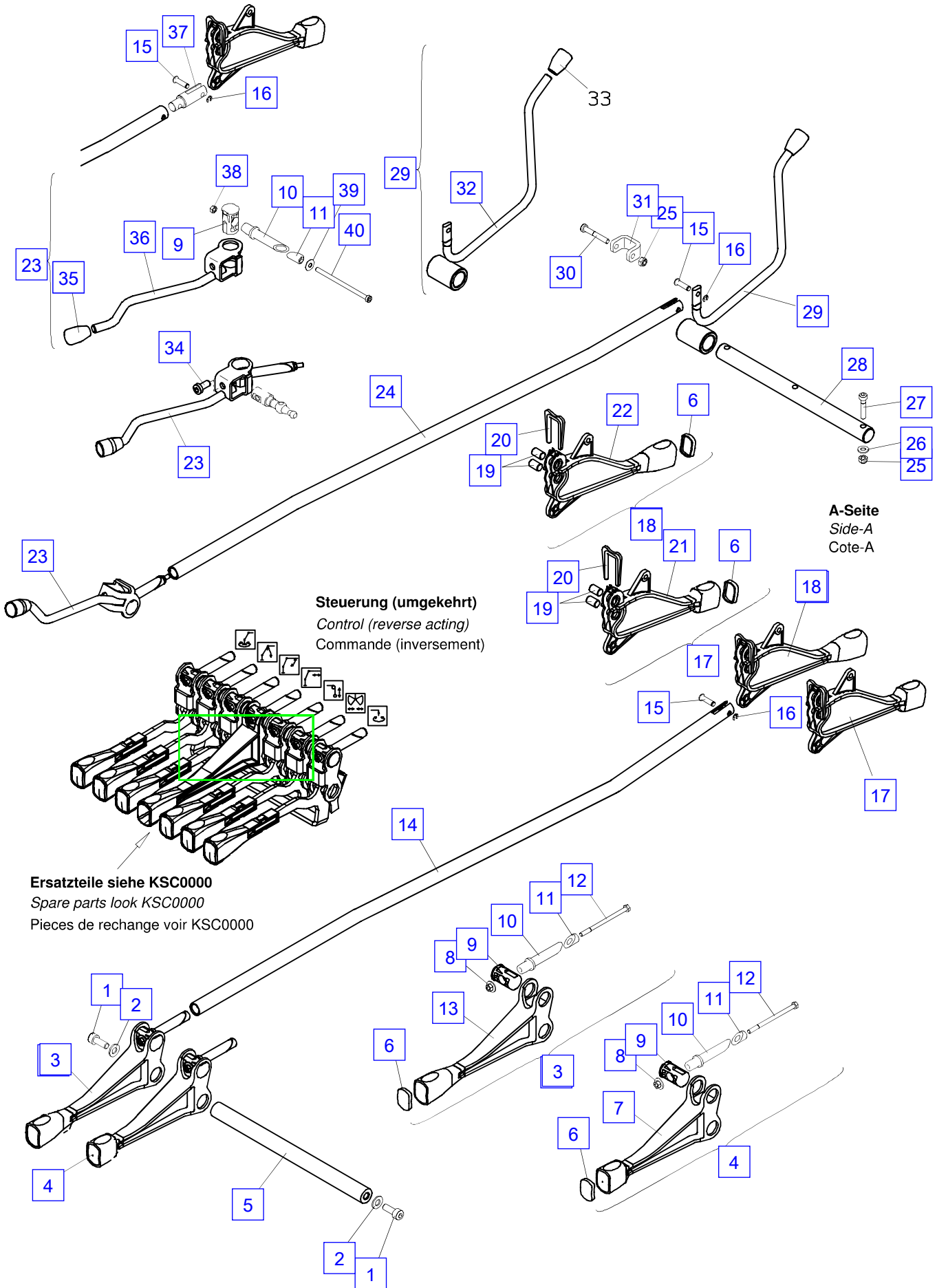
Spare parts look PVG32

Pieces de rechange voir PVG32

OC	HUV 300 bar	HPCO EA-033	P EA-097	M EA-716	PM EA-261	T EA-330	LS ---
CC	HUV 350 bar	HPCO EA-033	P EA-097	M EA-716	PM EA-261	T EA-330	LS EA-089
	A EA-1646 175 bar	LSA ---	B EA-1646 175 bar	LSB ---			
	A EA-1646 175 bar	LSA ---	B EA-1646 175 bar	LSB ---			
	A EA-1646 ---	LSA 230 bar	B EA-1646 ---	LSB 100 bar			
	A EA-1646 ---	LSA ---	B EA-1646 ---	LSB ---			
	A EA-1646 ---	LSA 175 bar	B EA-1646 ---	LSB 320 bar			
	A EA-1646 150 bar	LSA --- 120 bar	B EA-1646 345 bar	LSB --- 320 bar			
	A EA-590, HD-376 190 bar	LSA --- 160 bar	B EA-590, HD-376 190 bar	LSB --- 160 bar			

Control system

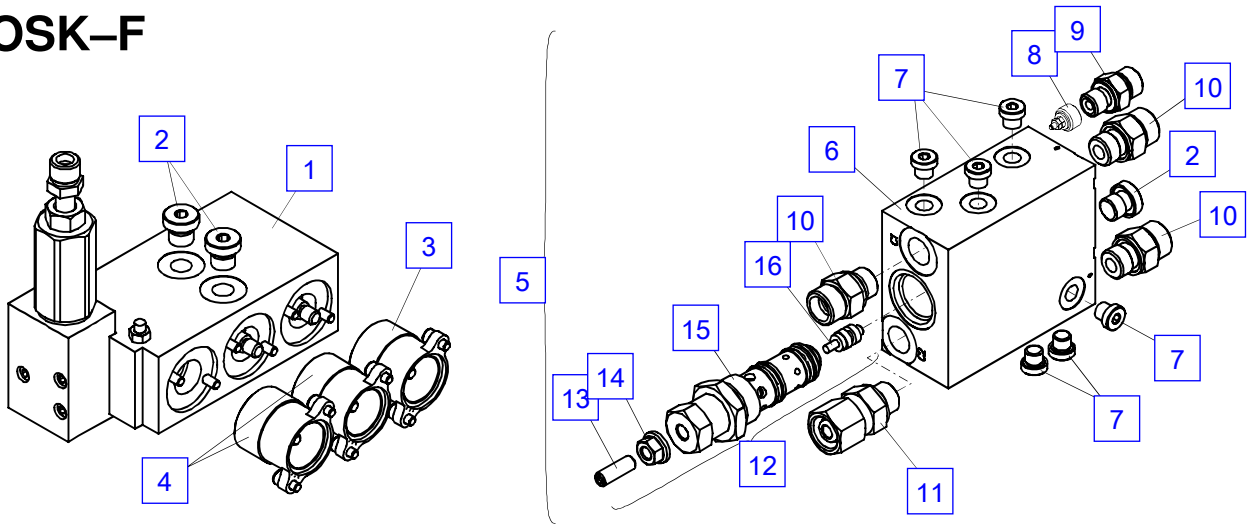
No.	Spare part	Qty.	Description	Dimension
1	ES 265	2	Screw	M 8x20 ISO4762- 8.8
2	EK 003	2	Washer	D 8.4 ISO7089
3	HH 409	0	Control lever, black	
3	HH 429	1	Control lever, blue (blue)	
4	HH 431	1	Control lever (Support)	
5	HI 827	1	Control axle	
6	EK 884	3	Cover	
7	HH 430	1	Control lever (Support)	
8	EM 234	2	Nut	M 5
9	HI1543	3	Pin	D20.0xL33.0
10	EK 866	3	Cotter	
11	EK 867	3	Cotter	
12	ES1381	2	Screw	M 5x80 DIN 931
13	HH 408	1	Control lever, black	
13	HH 428	1	Control lever, blue	
14	HSV 206	0	Control rod	
15	HI2603	0	Pin	
16	EQ 116	0	Safety washer	D4 DIN6799
17	HH 427	1	Control lever (Support)	
18	HH 425	1	Control lever, blue	
18	HH 411	0	Control lever, black	
19	HI2907	2	Pin	
20	EK 868	1	Bolt retainer	
21	HH 426	1	Control lever (Support)	
22	HH 410	1	Control lever, black	
22	HH 424	1	Control lever, blue	
23	HH 420	4	Control lever, cpl.	
24	HSV 205	0	Control rod	
25	EM 014	4	Nut	DIN 985-8 M 6
26	EK 043	3	Washer	D 6.4 DIN 134
27	ES 080	3	Screw	M 6x35 DIN 6912
28	HI2735	1	Control axle	
29	HH 423	0	Control lever	
30	ES 105	1	Screw	M 6x40 ISO4762 10.9
31	HA6509	1	Bearer	
32	HH 422	1	Control lever	
33	EK 871	1	Handle, black	
34	ES 051	4	Screw	M 8x16 DIN 7984 8.8
35	EK 871	1	Handle, black	
36	HH 419	1	Control lever	
37	HIB 248	0	Pin	
38	EM 018	1	Nut	M5 DIN 934
39	EK 560	1	Disc spring	
40	ES 578	1	Screw	M05x090



Overload protection-OSK-F

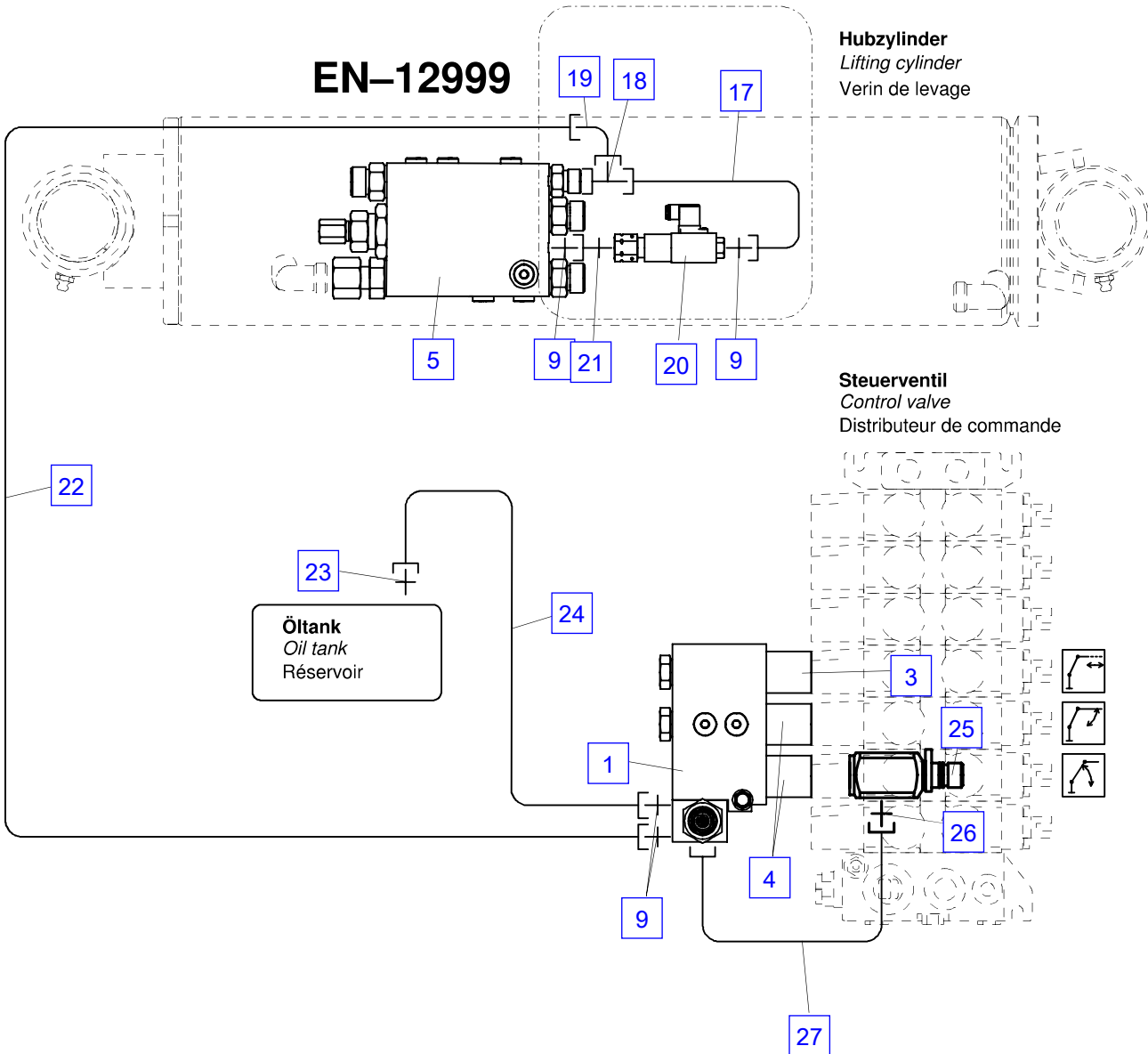
No.	Spare part	Qty.	Description	Dimension
1	EV4452	1	Overload bloc	
	TD 946	1	Seal kit	
	TD 947	0	Seal kit	
2	EA 236	3	Locking screw	VSTI R 1/4"
3	EV4500	1	Adapter	RS 210
4	EV4453	2	Adapter	RS 210
5	UV431-330	1	Load holding valve	
6	HG 171	1	Housing	
7	EA 423	6	Locking screw	VSTI R 1/8"
8	EV 330	1	Hose break valve	R1/4"
9	EA 089	5	Fitting	GE 08S R1/4"-ED
10	EA 039	3	Fitting	GE 12S R3/8"-ED
11	EA 201	1	Fitting	EGE 12S R3/8-ED
12	EV 612	1	Valve cartridge	
	TD 204	1	Seal kit	
13	ES1036	1	Set screw	M 8x20 DIN 916
14	EM 199	1	Sealing nut	M 8x1.5
15	EV2151	1	Pressure relief valve	
	TD 853	1	Seal kit	
16	EV2152	1	Pressure compensator	
17	HLR 9841	1	Pipe	D 8
18	EA 091	1	L-Coupling	EL 8 S
19	EA 263	1	Angle fitting	EW 08S
20	UV097A	1	Pressure switch	
21	EA 151	1	Fitting	EGE 8 S R1/4"
22	EH4445	1	Hose	NW 6x4400
23	EA 190	1	Fitting	GE 10L R3/8"-ED
24	EH5162	1	Hose	NW 6x750
25	EA1655	1	Fitting	STE 10K R 3/8"
26	EA1052	1	Fitting	GE 8 S R3/8"
27	HLR 8827	1	Pipe	D 8

OSK-F



EN-12999

Hubzylinder
Lifting cylinder
Verin de levage

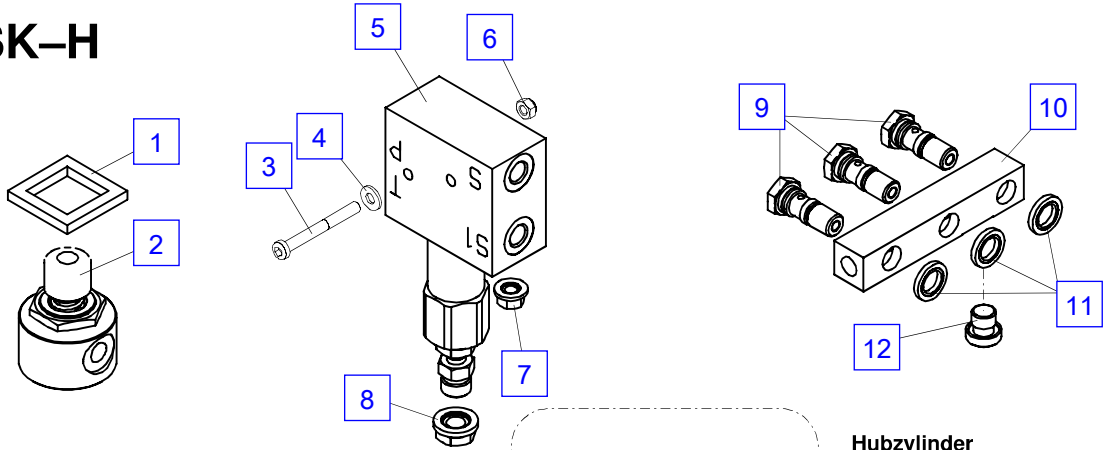


Steuerventil
Control valve
Distributeur de commande

Overload protection-OSK-H

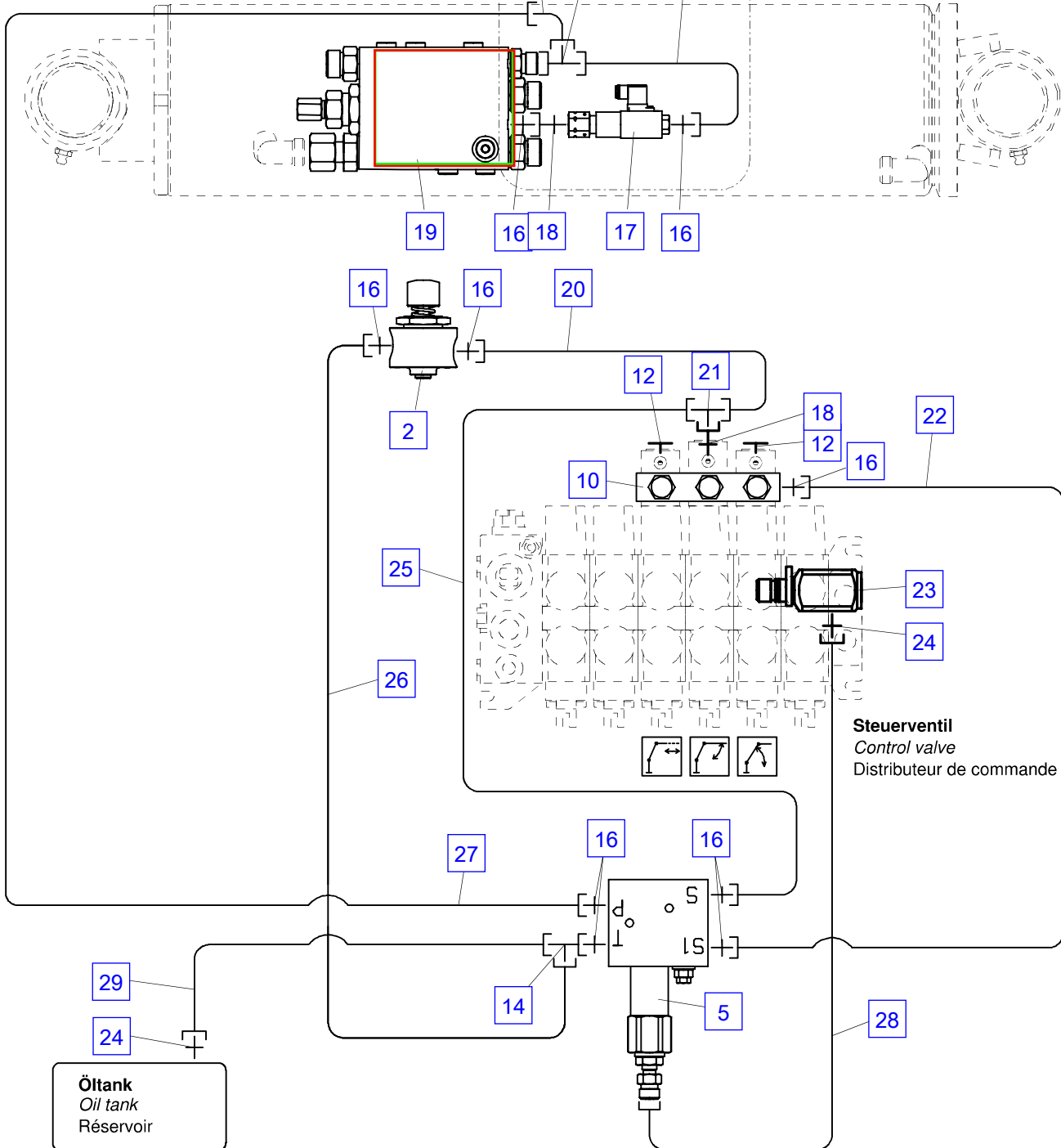
No.	Spare part	Qty.	Description	Dimension
1	HTR3533	1	Bearer	
2	EV 174	1	Peak pressure button	
	EZ1277	1	Protecting cap	
	TD 845	0	Seal kit	
3	ES 106	2	Screw	M 6x55 DIN 7984
4	EK 043	2	Washer	D 6.4 DIN 134
5	EV3263	1	Overload valve (+7,8)	
6	EM 014	2	Nut	DIN 985-8 M 6
7	EM 199	1	Sealing nut	M 8x1.5
8	EM 200	1	Sealing nut	M 12x1.5
9	EA1057	3	Banjo bolt (with O-ring)	
10	HLA 875	1	Connection block	
11	ED 619	3	Sealing ring	KD 1/4"
12	EA 236	3	Locking screw	VSTI R 1/4"
13	HLR 9841	1	Pipe	D 8
14	EA 091	2	L-Coupling	EL 8 S
15	EA 263	1	Angle fitting	EW 08S
16	EA 089	9	Fitting	GE 08S R1/4"-ED
17	UV097A	1	Pressure switch	
18	EA 151	2	Fitting	EGE 8 S R1/4"
19	UV431-330	1	Load holding valve (page 030.0100)	
20	HLR 8799	1	Pipe	D 8
21	EA 192	1	Fitting	T 8 S
22	HLR 8797	1	Pipe	D 8
23	EA1655	1	Fitting	STE 10K R 3/8"
24	EA1052	2	Fitting	GE 8 S R3/8"
25	HLR 8798	1	Pipe	D 8
26	HLR 7219	1	Pipe	D 8
27	EH1148	1	Hose	NW 06x3200
28	HLR 8796	1	Pipe	D 8
29	EH3213	1	Hose	NW 6x3500

OSK-H



EN-12999

Hubzylinder
Lifting cylinder
Verin de levage



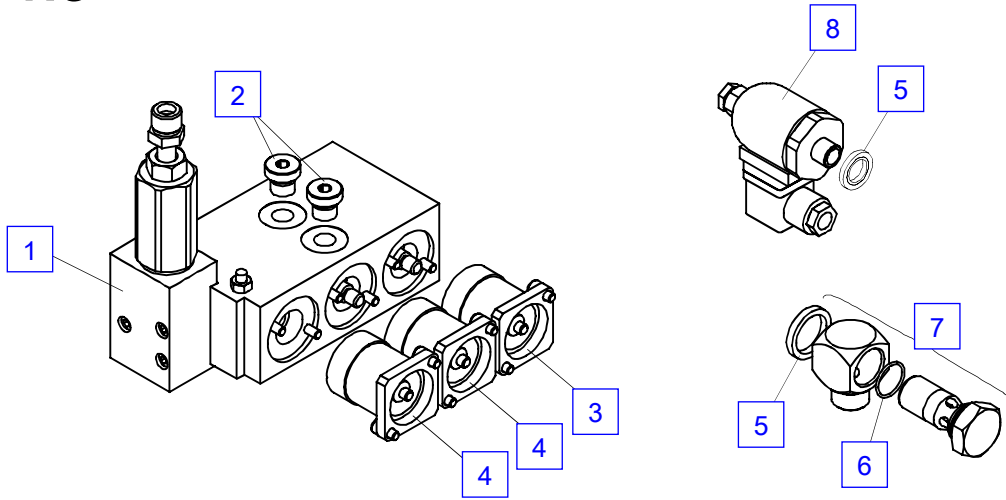
Steuerventil
Control valve
Distributeur de commande

Öltank
Oil tank
Réservoir

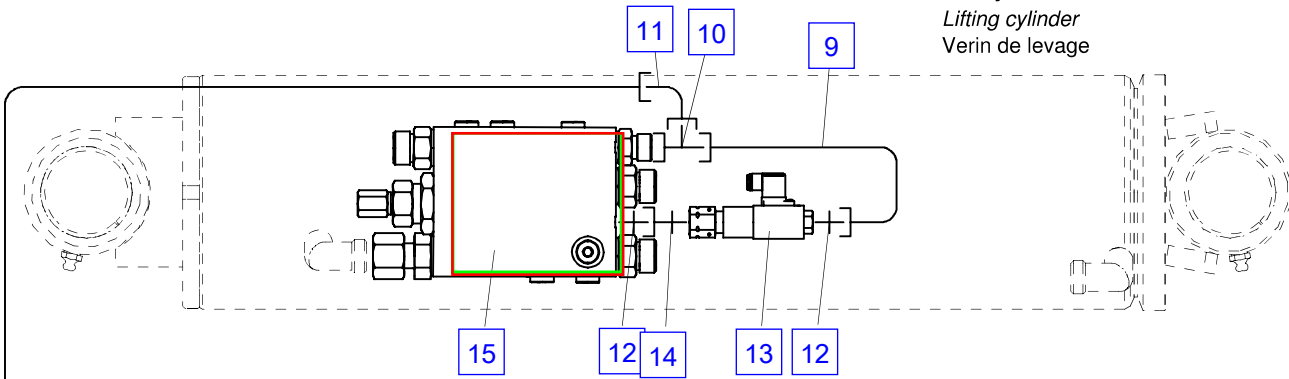
Overload protection-OSK-RC

No.	Spare part	Qty.	Description	Dimension
1	EV4452	1	Overload bloc	
	TD 946	1	Seal kit	
	TD 947	0	Seal kit	
2	EA 236	2	Locking screw	VSTI R 1/4"
3	EV4501	1	Adapter	RSQ 240
4	EV4454	2	Adapter	RSQ 240
5	ED 619	2	Sealing ring	KD 1/4"
6	EO 906	1	O-ring	D 12,5x1,5
7	EA 282	2	Adaptor	WH 8 S R1/4"
8	EEA1194	1	Pressure switch	30-400 bar
9	HLR 9841	1	Pipe	D 8
10	EA 091	2	L-Coupling	EL 8 S
11	EA 263	1	Angle fitting	EW 08S
12	EA 089	4	Fitting	GE 08S R1/4"-ED
13	UV097A	1	Pressure switch	
14	EA 151	2	Fitting	EGE 8 S R1/4"
15	UV431-330	1	Load holding valve (page 030.0100)	
16	EH4445	1	Hose	NW 6x4400
17	EA1023	1	Blanking part	ROV-10L
18	EH1924	1	Hose	NW 6x410
19	EH5162	1	Hose	NW 6x750
20	HLR 8437	1	Pipe	D 8
21	EA1655	1	Fitting	STE 10K R 3/8"
22	EA1052	1	Fitting	GE 8 S R3/8"
23	HLR 8846	1	Pipe	D 8

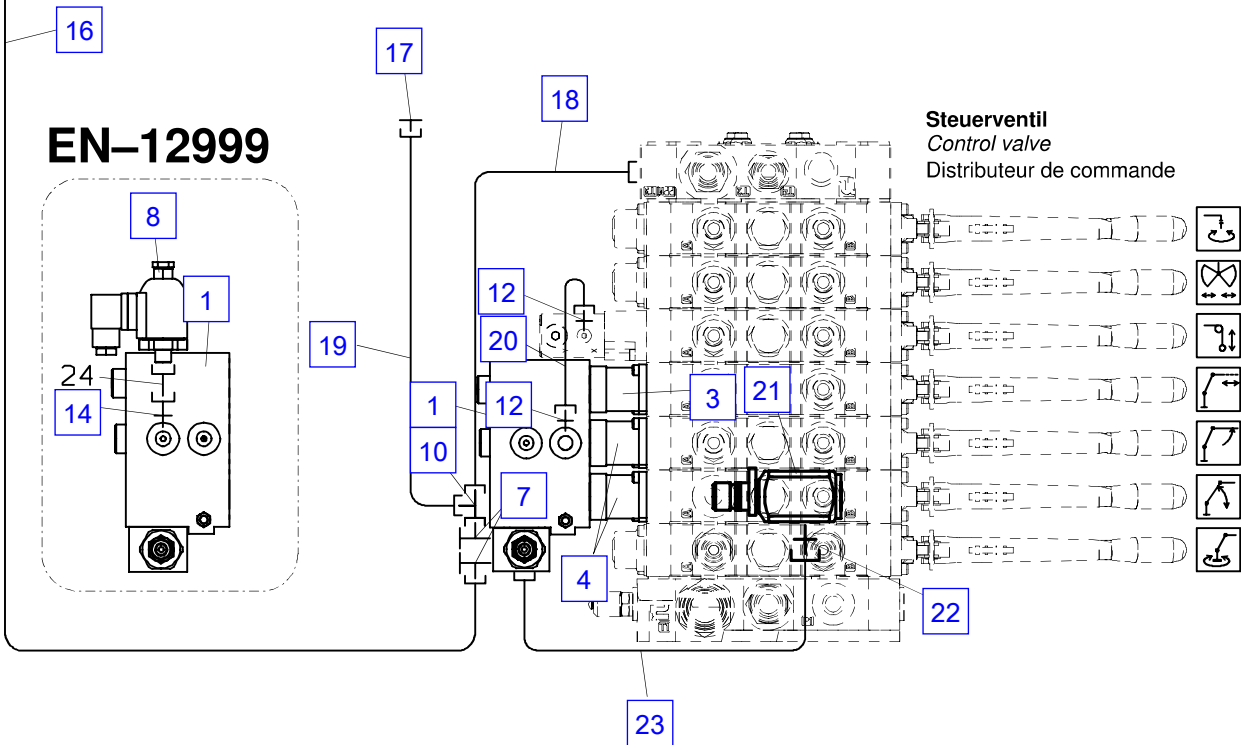
OSK-RC



Hubzylinder
Lifting cylinder
Verin de levage



EN-12999

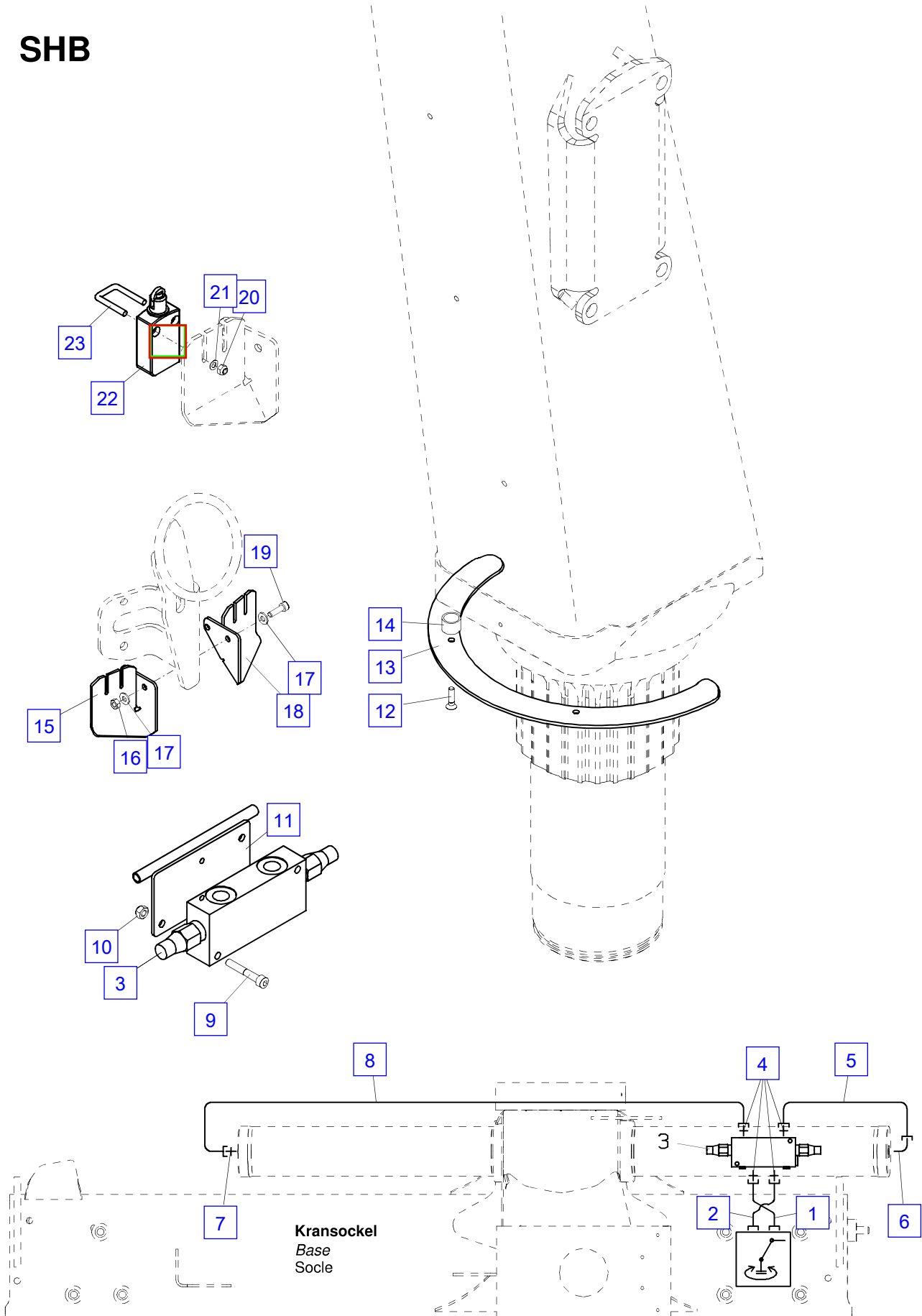


Steuerventil
Control valve
Distributeur de commande

Slew limitation

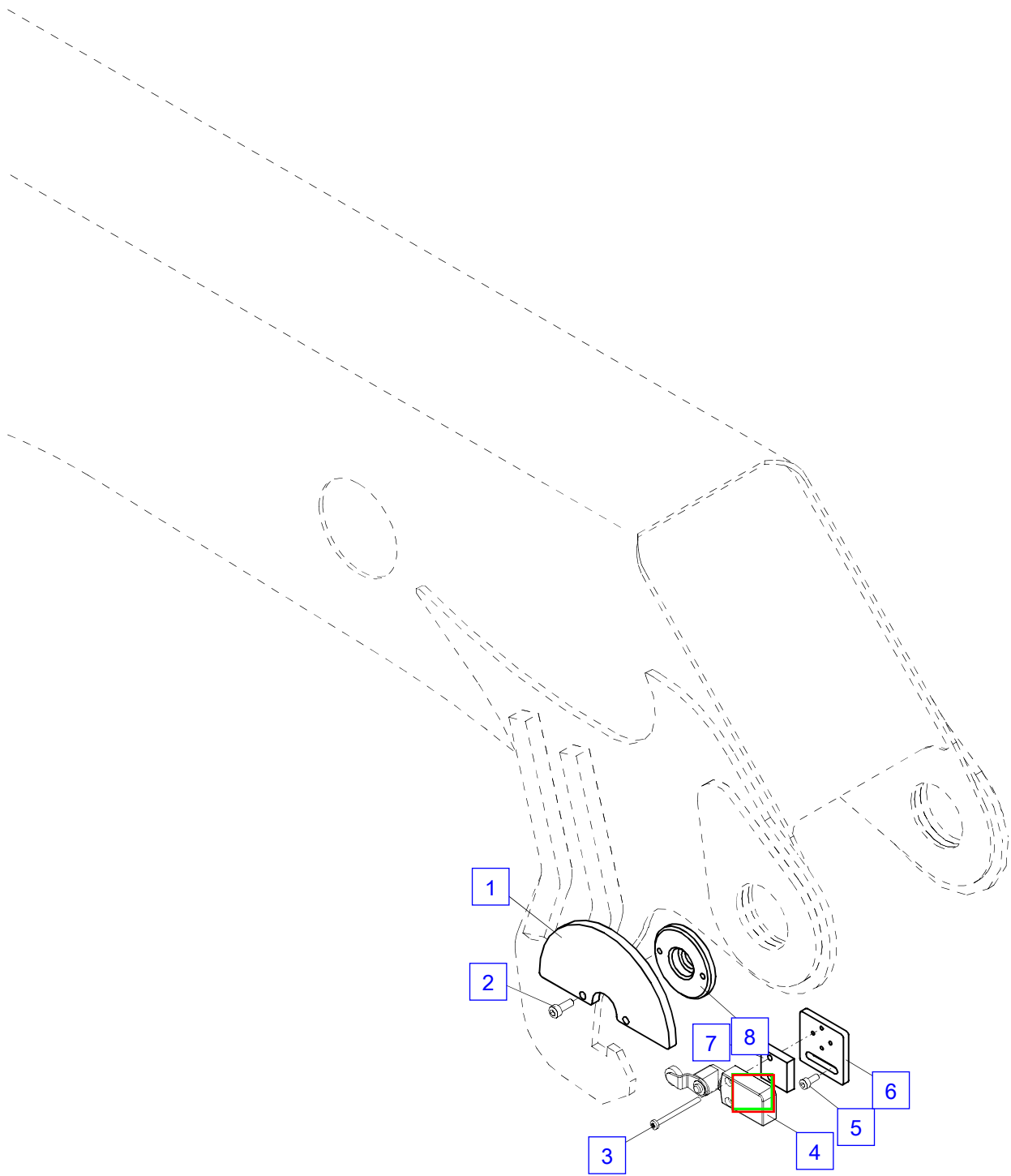
No.	Spare part	Qty.	Description	Dimension
1	HLR 8802	1	Pipe (F)	D 12
1	HLR 8892	1	Pipe (RC001)	D 12
2	HLR 8801	1	Pipe (F)	D 12
2	HLR 8893	1	Pipe (RC001)	D 12
3	EV5037-160	1	Load holding valve	160 bar
	TD1001	1	Seal kit	
4	EA 183	4	Fitting	GE 12S R1/2"-ED
5	HLR 8791	1	Pipe	D 12
6	EA1749	1	Adaptor	WEE 12S 3/8"
7	EA 039	1	Fitting	GE 12S R3/8"-ED
8	HLR 8792	1	Pipe	D 12
9	ES 432	2	Screw	M 8x50 ISO4762- 8.8
10	EM 026	2	Nut	M 8 DIN 985
11	HXE 509	1	Bracket	
12	ES1330	2	Screw	M 6x25 ISO14581- 8.8
13	HT6323	1	Plate	
14	HBS2884	2	Spacer	l=15 mm
15	HA6551	1	Bearer	
16	EM 004	2	Nut	DIN 934 M6 CL8 ZB
17	EK 043	4	Washer	D 6.4 DIN 134
18	HA6550	1	Bearer	
19	ES 019	2	Screw	M 6x20 ISO4762-10.9
20	EM 154	4	Nut	DIN 985 M4 CL8 ZB
21	EK 124	4	Washer	ISO7092 - A2 -140HV
22	EEA...	2	Receiver (look ELEKTRIK) (page 030.0400)	
23	HIG 459	2	Mounting bracket	

SHB



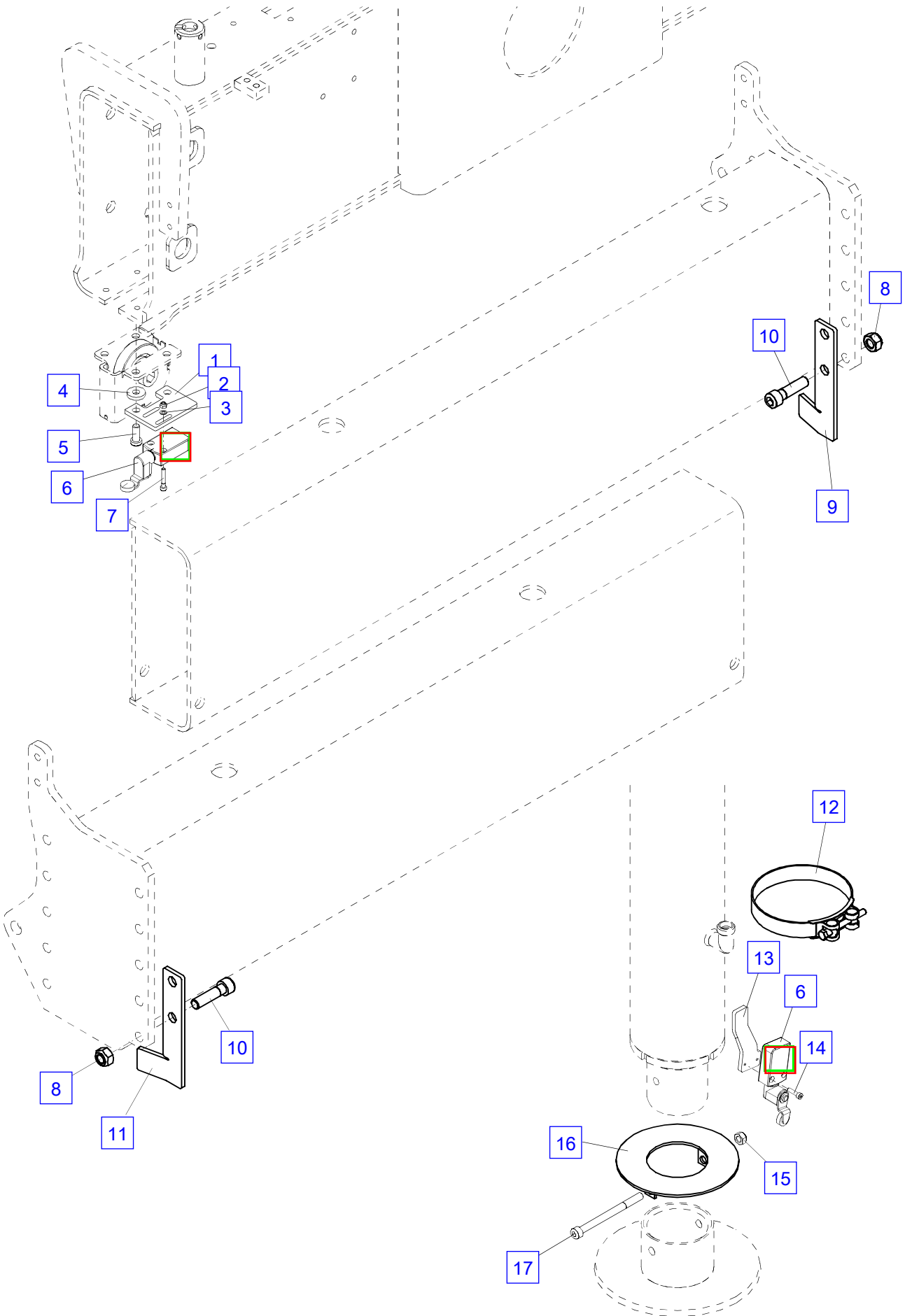
Transport position monitoring

No.	Spare part	Qty.	Description	Dimension
1	HT6978	1	Bracket	
2	ES 175	2	Screw	M 6x16 ISO4762- 8.8
3	ES 450	2	Screw	M 4x50 DIN 84
4	EEA...	1	Receiver (look ELEKTRIK) (page 030.0400)	
5	ES 061	2	Screw	M 5x12 ISO4762- 8.8
6	HT7003	1	Fastening plate	
7	HTR3901	1	Spacing piece	8mm
8	HB 334	1	Cover	



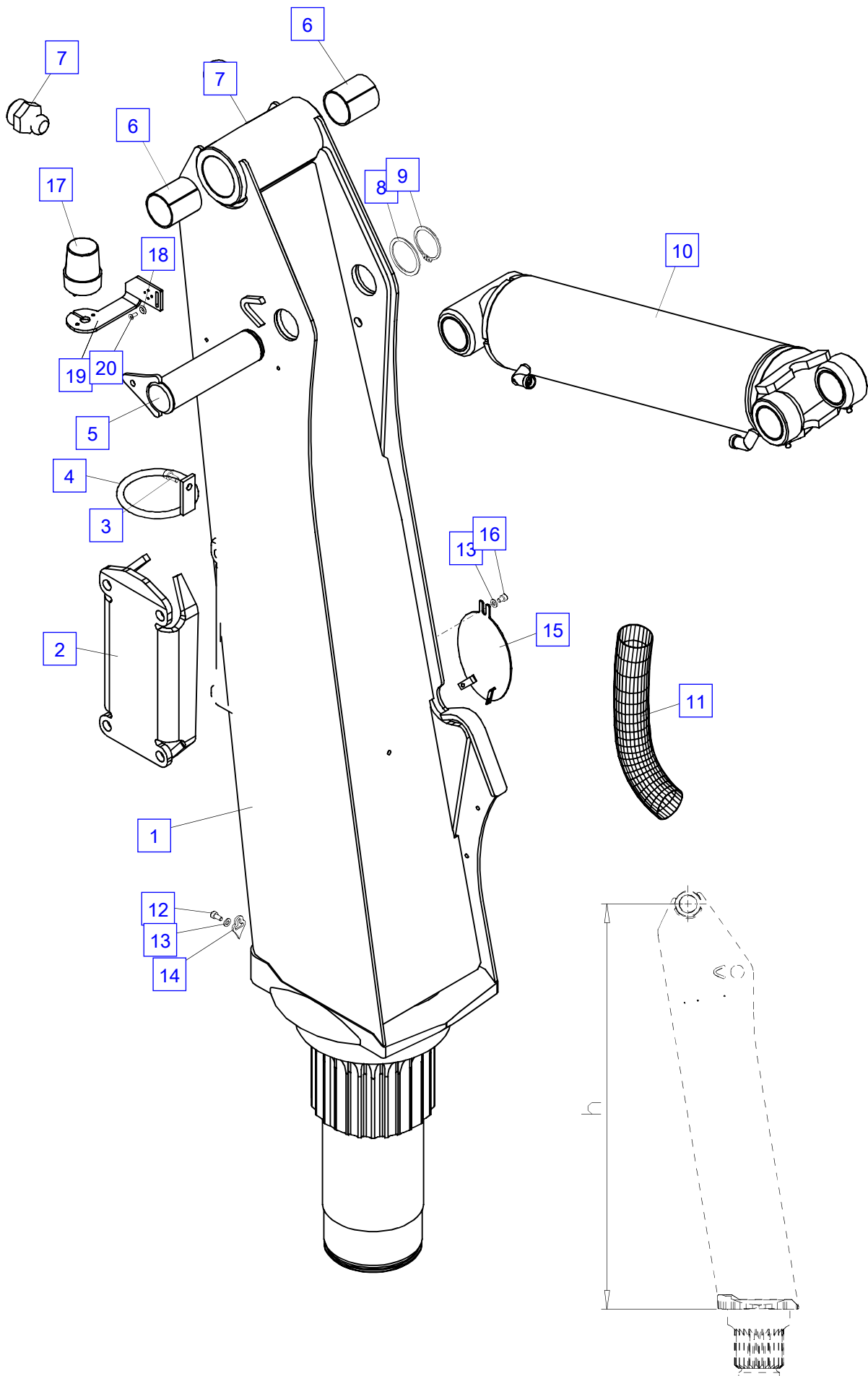
Stabilizer monitoring

No.	Spare part	Qty.	Description	Dimension
1	HT3449	2	Bearer	
2	EM 154	4	Nut	DIN 985 M4 CL8 ZB
3	EK 124	4	Washer	ISO7092 - A2 -140HV
4	EK 044	4	Washer	D 8 DIN 7349
5	ES 308	4	Screw	M 8x20 DIN7984- 8.8
6	EEA...	4	Receiver (look ELEKTRIK) (page 030.0400)	
7	ES 791	4	Screw	M 4x25 ISO4762- 8.8
8	EM 023	4	Nut	M 12 DIN 985
9	HA4795	1	Stop buffer	
10	ES 043	4	Screw (STZS)	M 12x40 ISO4762-10.9
10	ES 655	4	Screw (STZY)	M12x40 - 10.9 - DIN 933
11	HA4794	1	Stop buffer	
12	EZ2058	2	Hose clip	
13	HA7143	2	Bearer	
14	ES 853	4	Screw	M4x16 - 8.8 - ISO4762
15	EM 026	2	Nut	M 8 DIN 985
16	HXE2227	2	Stop buffer	
17	ES1161	2	Screw	M 8x100 ISO4762- 8.8



Crane column

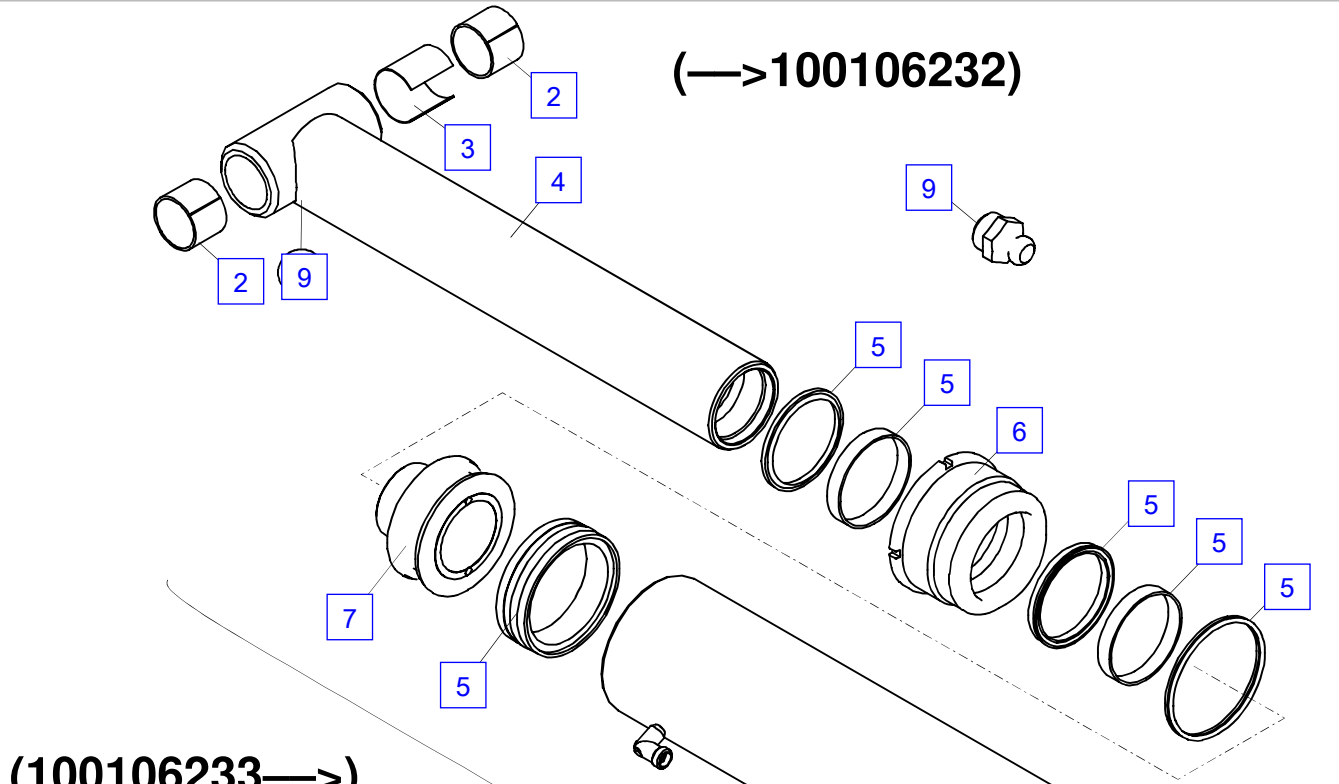
No.	Spare part	Qty.	Description	Dimension
1	S105S01-A	1	Crane column	h=1382 mm
1	S105S02-A	1	Crane column	h=1160 mm
2	HA7466	1	Bracket	
3	ES 264	1	Screw	M8x16 ISO4762- 8.8
4	HXL 020	1	Hose ring	d=100 mm
5	HI2771	1	Pin	D050.0xL0181.1
6	ELG 011	2	Bearing bush	D 60x65x60
7	EA 005	1	Grease nipple	M10x1 DIN71412
8	HBS 874	1	Spacer	2 mm
9	EQ 086	1	Circlip	D 50 DIN 471
10	UP1517	1	Lifting cylinder (page 040.0200)	
11	EH 963	1	Protection hose (H)	D 102x1500
11	EH 808	1	Protection hose (F)	NW 102x2300
11	EH1567	1	Protection hose (H)	NW 102x2600
11	EH2251	1	Protection hose (Main boom)	NW 102x800
12	ES1150	1	Screw	M 6x12 - 8.8 - ISO4762
13	EK 190	2	Washer	DIN134-06-ST
14	HT7778	1	Folding arrow	
15	HXE2960	1	Cover	
16	ES 126	1	Screw	M 6x8 ISO4762 8.8
17	EEA5440	1	Light, green	5 m
17	EEA5441	1	Light, green	8 m
18	EK 567	2	Washer	D 6
19	HA9353	1	Bearer	L0236.3xB0116xS006
20	ES 418	2	Screw	M6x16 ISO14581- 8.8



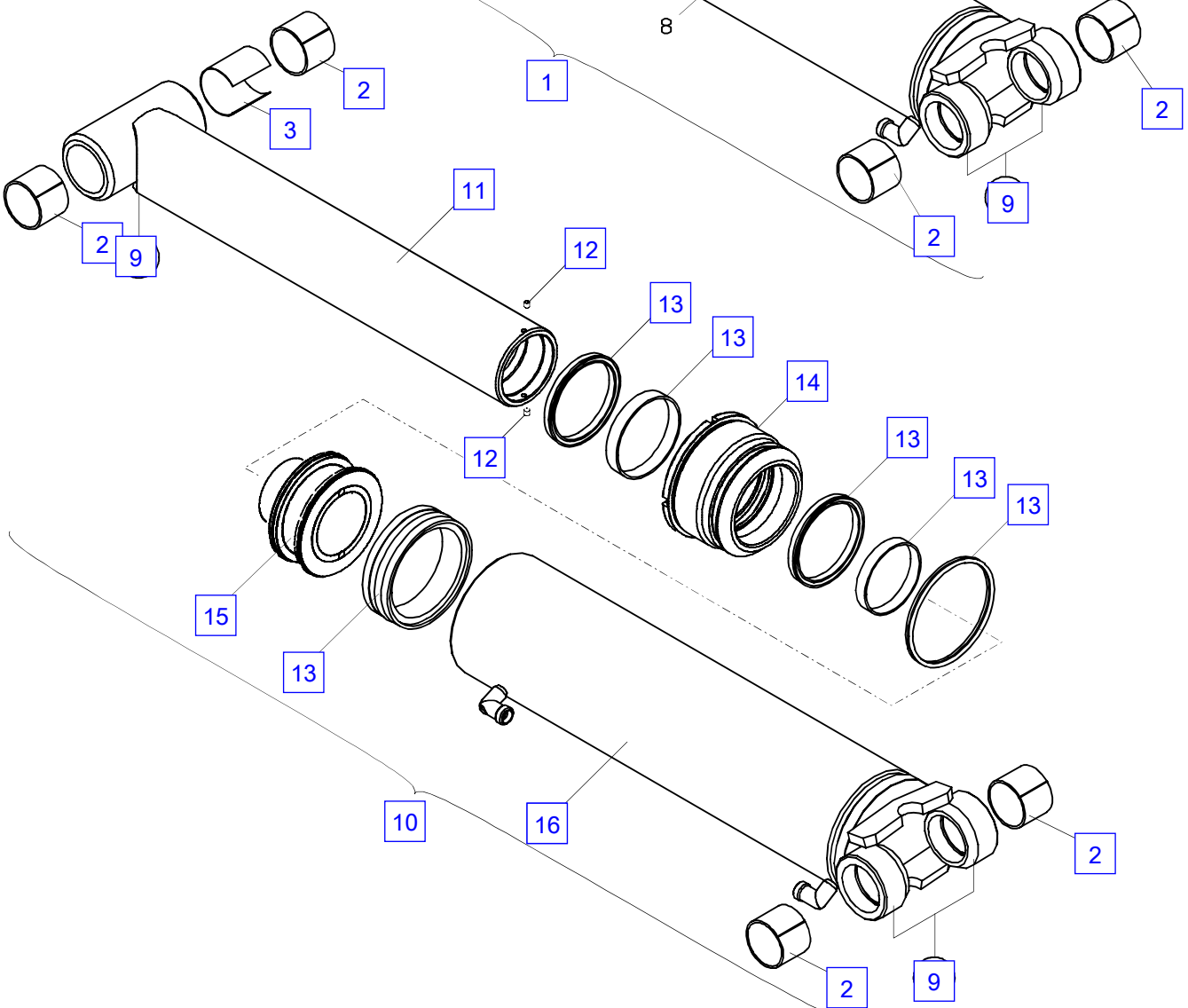
Lifting cylinder

No.	Spare part	Qty.	Description	Dimension
1	UP1517	1	Lifting cylinder	
2	ELG 002	8	Bearing bush	D 50x55x40
3	HBS 381	2	Spacer	
4	HSK1255	1	Piston rod	
5	TD 525	1	Seal kit	
6	HV 363	1	Cylinder nut	M131x2.5 d090xL085
7	HK 362A	1	Piston	D125xL085.0 M075x2.0
8	HY1397	1	Cylinder tube	
9	EA 005	6	Grease nipple	M10x1 DIN71412
10	UP1517A	1	Lifting cylinder	Cr
11	HSK1255A	1	Piston rod	Cr
12	ES1821	2	Set screw	M 6x8 DIN 914
13	TD 525A	1	Seal kit	
14	HV 363A	1	Cylinder nut	M131x2.5 d090xL085
15	HK 734	1	Piston	D124xL085.0 M075x2.0
16	HY1397	1	Cylinder tube	

(→100106232)



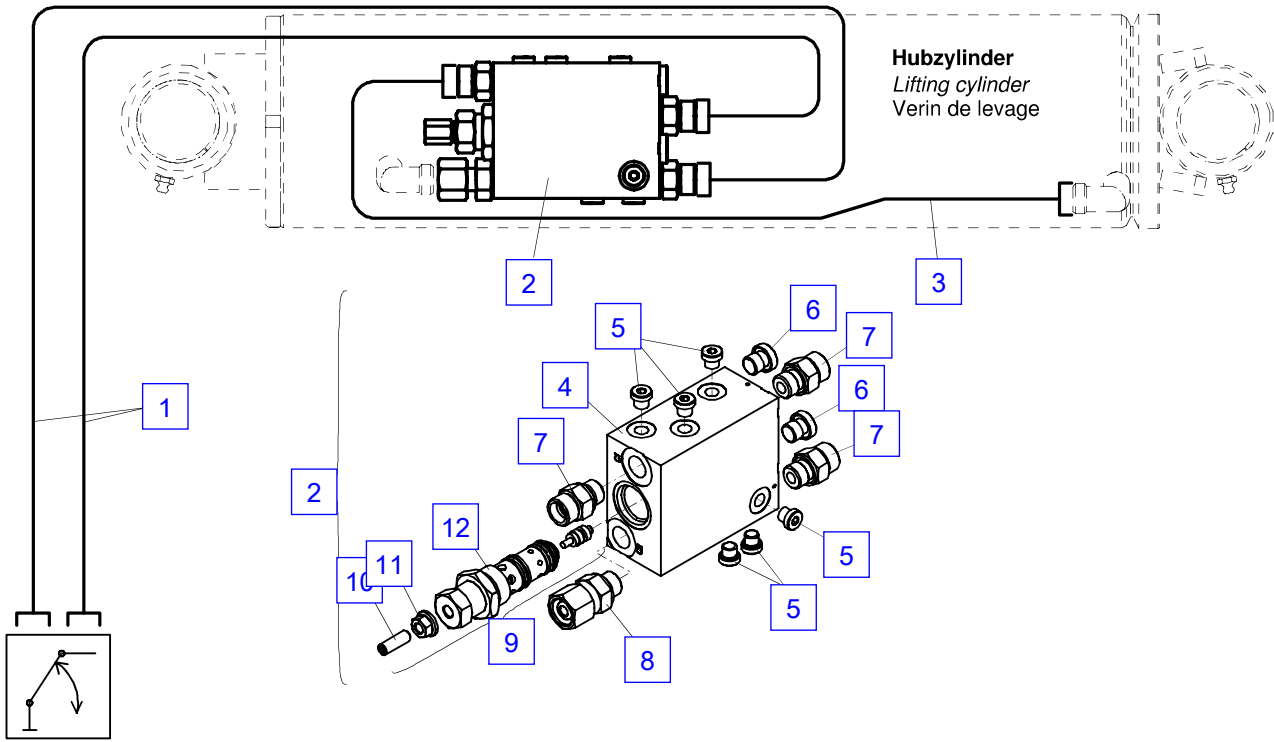
(100106233→)



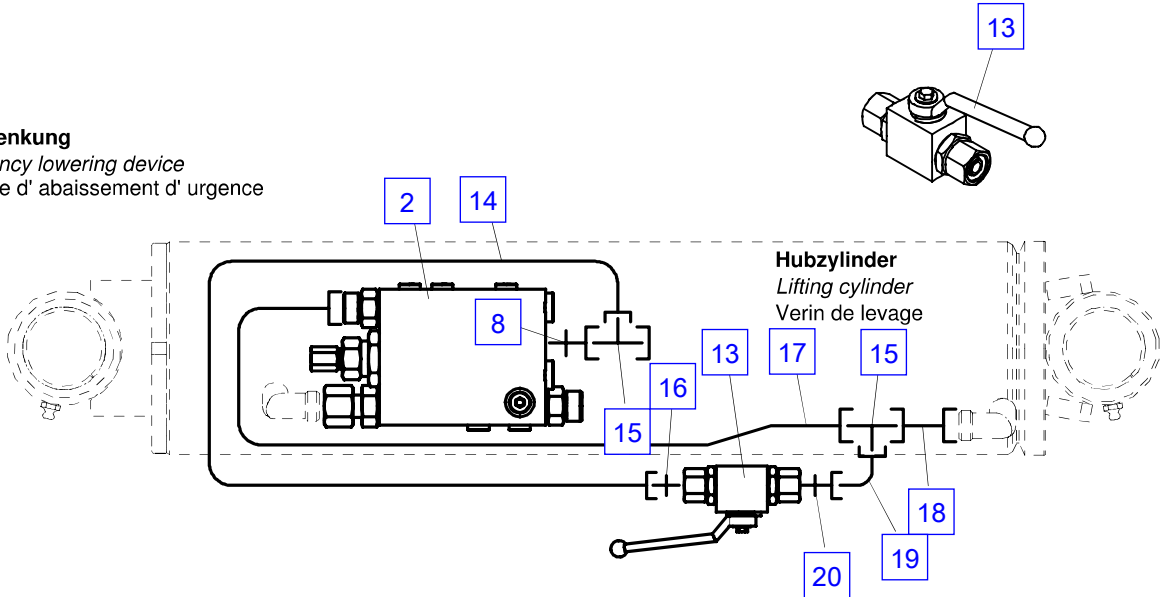
Pipes-Lifting cylinder

No.	Spare part	Qty.	Description	Dimension
1	EH4876	2	Hose (H)	NW 10x3200
1	EH4887	2	Hose (F)	NW 10x4050
2	UV439-330	1	Load holding valve	
3	HLR 8835	1	Pipe	D 12
4	HG 171	1	Housing	
5	EA 423	6	Locking screw	VSTI R 1/8"
6	EA 236	2	Locking screw	VSTI R 1/4"
7	EA 039	3	Fitting	GE 12S R3/8"-ED
8	EA 201	2	Fitting	EGE 12S R3/8-ED
9	EV 612	1	Valve cartridge	
	TD 204	1	Seal kit	
10	ES1036	1	Set screw	M 8x20 DIN 916
11	EM 199	1	Sealing nut	M 8x1.5
12	EV2151	1	Pressure relief valve	
	TD 853	1	Seal kit	
13	EV 661	1	Ball cock	
14	HLR 9302	1	Pipe	D 8
15	EA1334	2	Fitting	TR 12/08/12S
16	EA 089	1	Fitting	GE 08S R1/4"-ED
17	HLR 9303	1	Pipe	D 12
18	EA 784	1	Fitting	GZ 12 S
19	EA 263	1	Angle fitting	EW 08S
20	EA 151	1	Fitting	EGE 8 S R1/4"

PK 7501



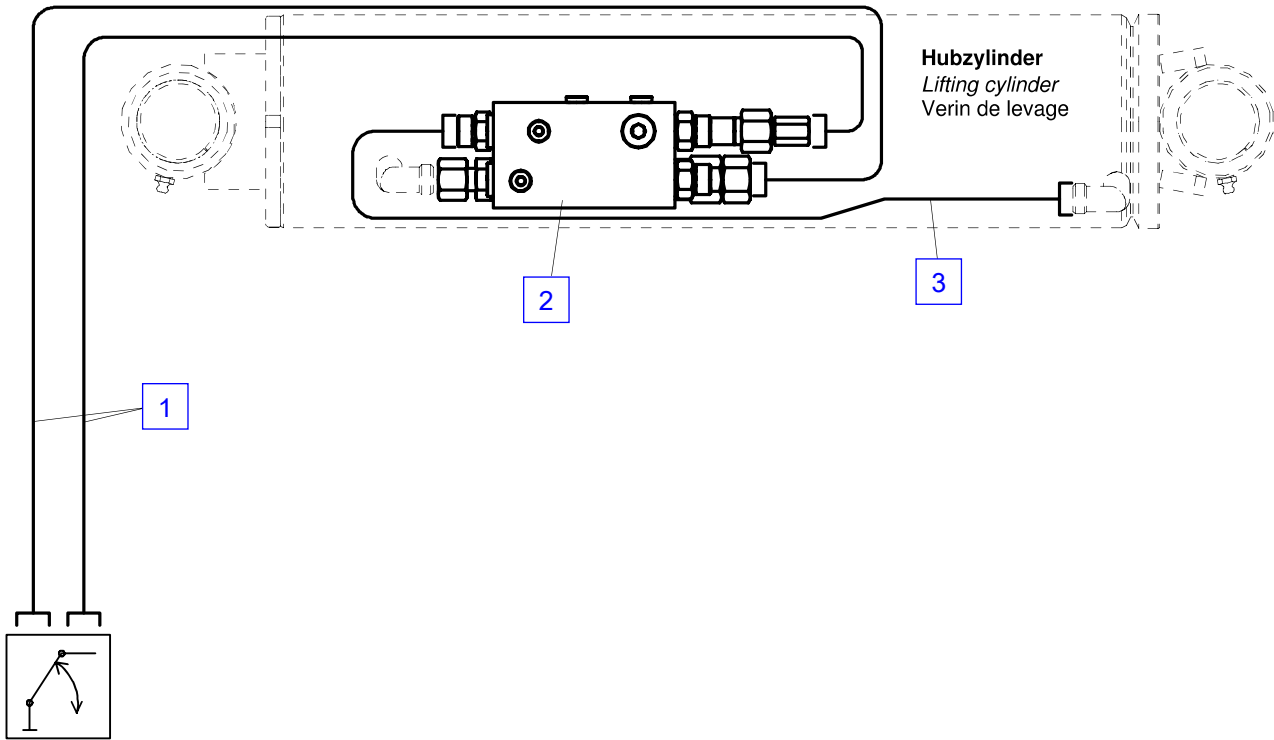
Notabsenkung
Emergency lowering device
Dispositif d' abaissement d' urgence



Pipes-Lifting cylinder

No.	Spare part	Qty.	Description	Dimension
1	EH4876	2	Hose (H)	NW 10x3200
1	EH4887	2	Hose (F)	NW 10x4050
2	UV500-350	1	Load holding valve	
3	HLR12736	1	Pipe	D 12
4	EV5325	1	Shut-off cock	
5	HLR12730	1	Pipe	D 8
6	EA 782	1	Fitting	GZ 8 S
7	EA1334	2	Fitting	TR 12/08/12S
8	EA 201	1	Fitting	EGE 12S R3/8-ED
9	HLR12731	1	Pipe	D 12
10	EA 784	1	Fitting	GZ 12 S

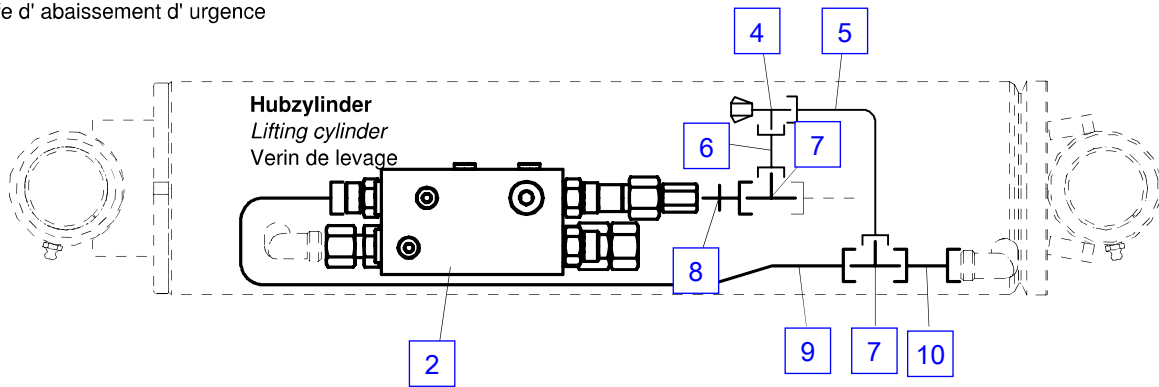
PK 8501



Notabsenkung

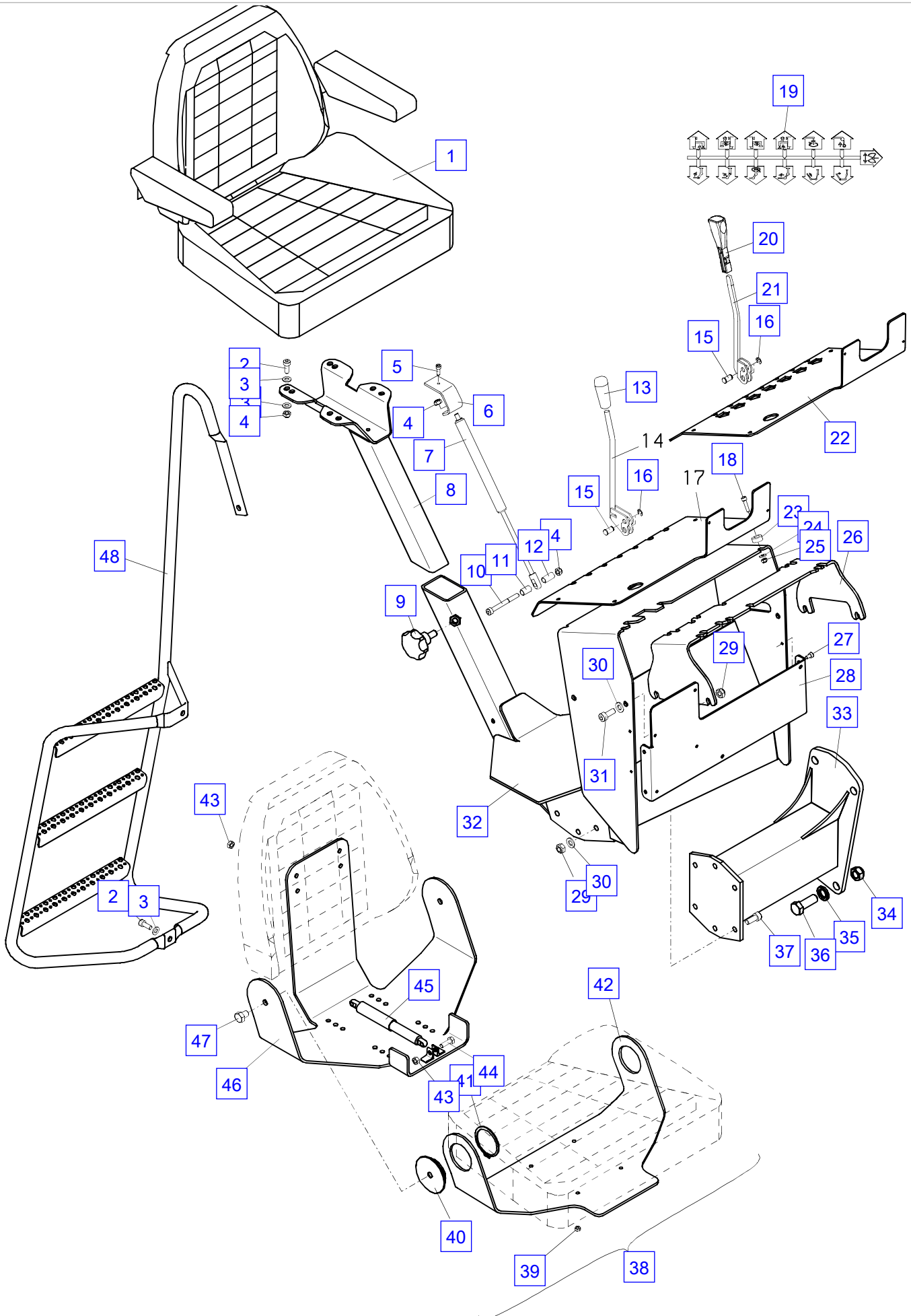
Emergency lowering device

Dipositife d' abaissement d' urgence



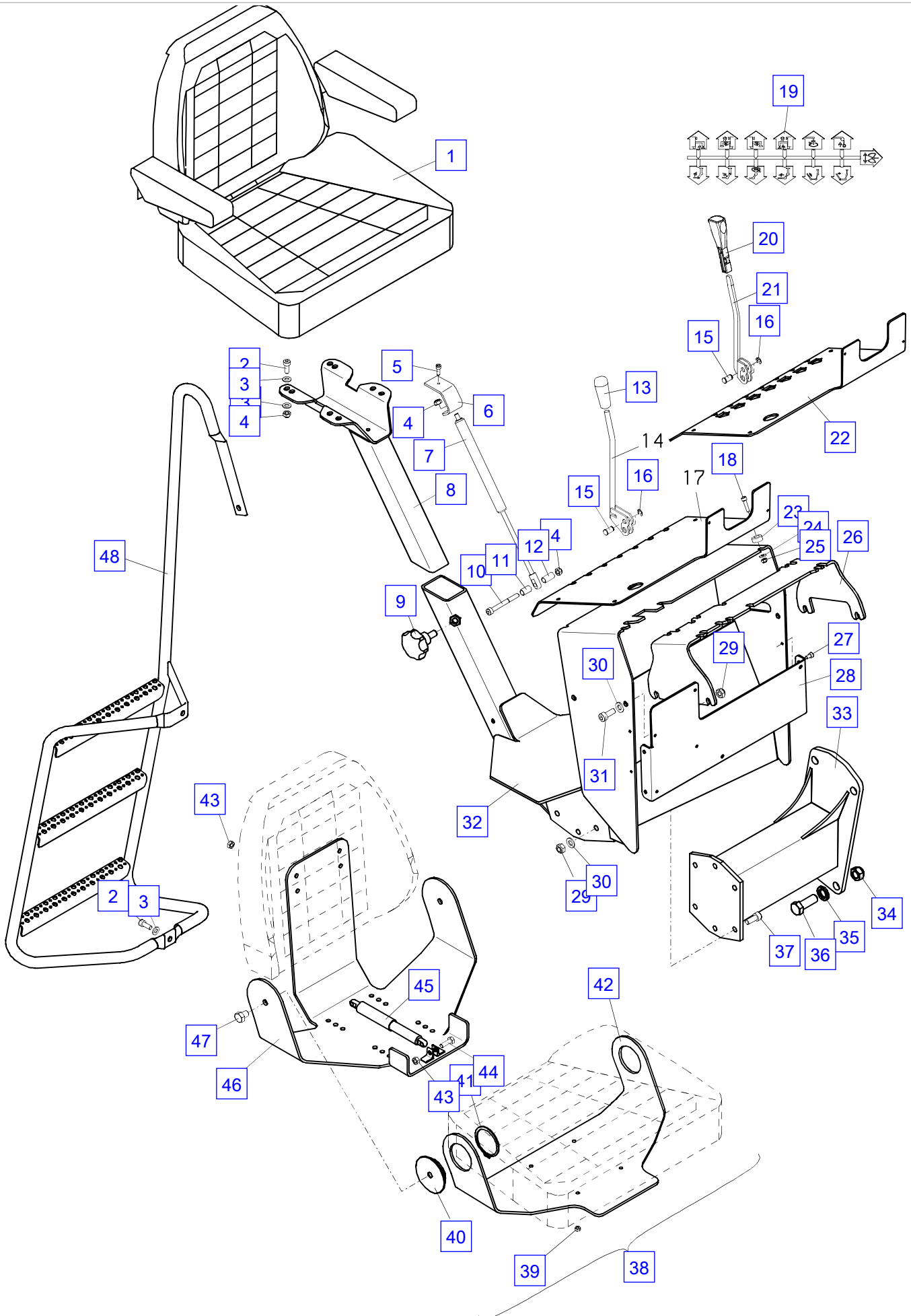
Top seat

No.	Spare part	Qty.	Description	Dimension
1	EZ 525	1	Seat for BZ240	
	EZ 662A	1	Adjusting rail (Kit)	
	EZ 658	1	Armrest, left	
	EZ 659	1	Armrest, right	
	EZ 660	1	Backrest	
	EZ 661	1	Seat rest	
1	EZ1535	1	Seat	
1	EZ 916	1	Seat cpl. with heating for BZ351	
2	ES 265	7	Screw	M 8x20 ISO4762- 8.8
3	EK 003	11	Washer	D 8.4 ISO7089
4	EM 026	6	Nut	M 8 DIN 985
5	ES 175	1	Screw	M 6x16 ISO4762- 8.8
6	HA5616	1	Bearer	L0120.6xB0036.0xS004
7	EZ1071	1	Gas pressure spring	
8	HXE1413	1	Seat support	
9	ES1048	1	Clamping screw	M12x025 DIN6336
10	ES1370	1	Screw	M 8x75 DIN 912
11	HBS2123	1	Spacer	l=21 mm
12	HBS2124	1	Spacer	D12.0xd9.0xL=25 mm
13	EZ 253	0	Handle	
13	EZ 374	0	Handle, red	
15	HI 826	0	Pin	
16	EQ 064	0	Safety washer	D 8 DIN 6799
18	ES 042	4	Screw	M 6x25 DIN 912
19	EK 898	1	Control decal	
20	EK 899	0	Handle, black	
20	EK 900	0	Handle, blue	
21	HH 433A	0	Control lever	
22	HXE2114	1	Bracket	
23	EK 230	4	Washer	D11 DIN7989A
24	EK 343	4	Washer	D 6,4 DIN 125
25	EM 014	4	Nut	DIN 985-8 M 6
26	HA2313	1	Bracket	
27	ES 414	4	Screw	M6x10 ISO4762 - 8.8
28	HA6344	1	Bracket	PALTRONIC
29	EM 021	10	Nut	DIN 985 M10 CL8 ZB
30	EK 007	10	Washer	D 10.5 ISO7089
31	ES 015	4	Screw	M 10x25 ISO4762-10.9
32	KHS001A-A	1	Top seat bracket	
33	HXK 258A	1	Bracket	
34	EM 031	4	Nut	M 16 DIN 985
35	EK 358	4	Washer	D 17 DIN6916
36	ES 188	4	Screw	M 16x45 DIN 933-10.9
37	ES 276	6	Screw	M 10x30 ISO4762- 8.8
38	BZ240	1	Tiltable seating area	
38	BZ351	1	Tiltable seating area cpl. with heating	
39	EM 004	4	Nut	DIN 934 M6 CL8 ZB
40	HBS2372	2	Guide disc	
41	EQ 083	2	Circlip	D 60 DIN 471
42	HXE1193	1	Seat support	
43	EM 003	6	Nut	M 8 DIN 934-8
44	ES 002	2	Screw	DIN933-M8x25-8.8
45	EZ1002	1	Gas pressure spring	
46	HXE1194	1	Seat support	
47	ES 192	2	Screw	M 12x16 DIN 933



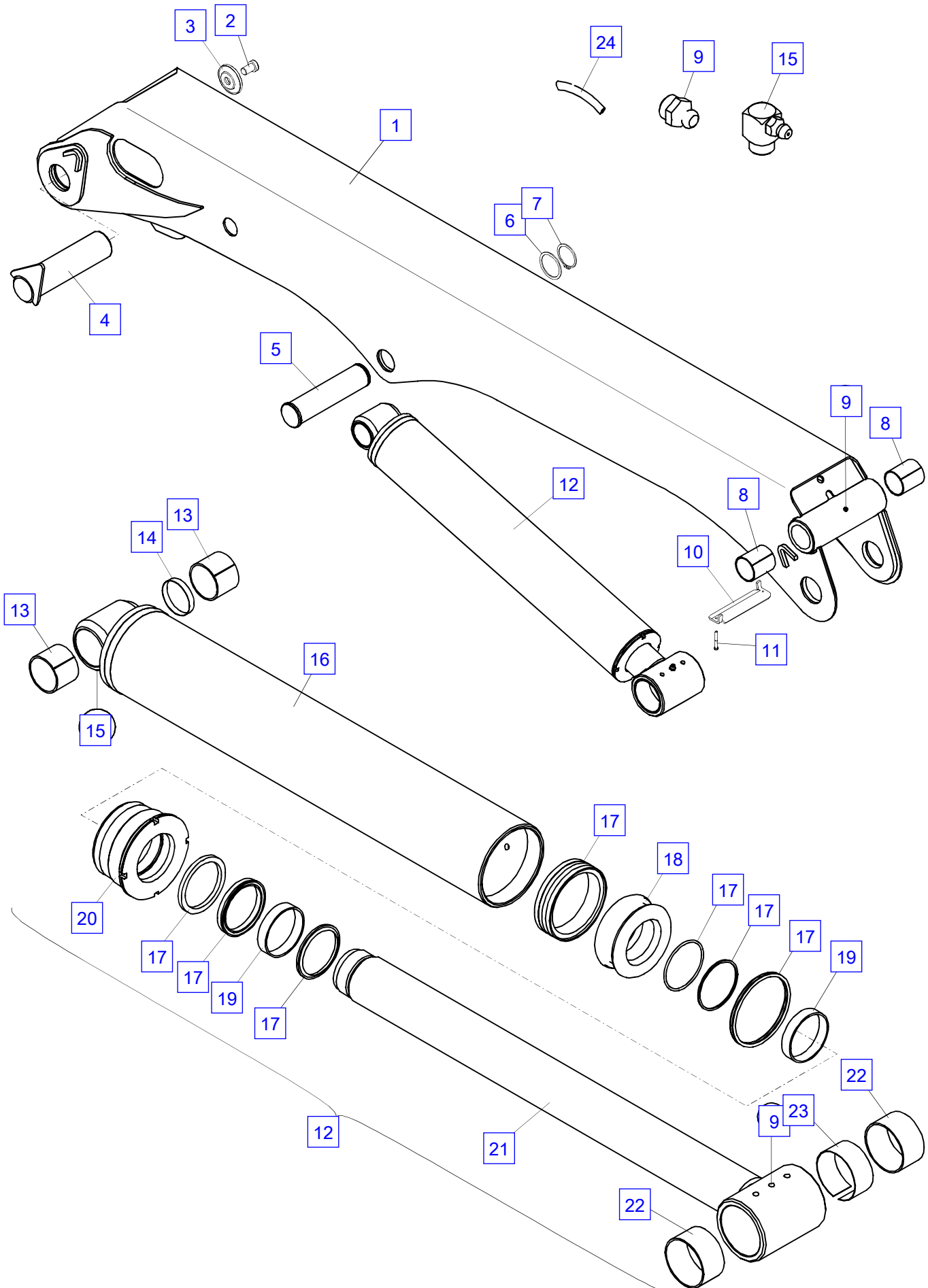
Top seat

No.	Spare part	Qty.	Description	Dimension
48	HXE1788	1	Ladder	



Main boom

No.	Spare part	Qty.	Description	Dimension
1	S105HA01A	1	Main boom	
2	ES 505	1	Screw	M 16x30 ISO4762 10.9
2	ES 979	1	Screw	M 16x25 DIN7984 8.8
3	HB 130	1	Washer	S0013 L0013 D0065
	HT16348	1	Spacer	D=35 s=1.5 mm
4	HIG 507	1	Pin	D060.0xL0222.5
5	HI2772	1	Pin	
6	HBS 874	1	Spacer	2 mm
7	EQ 086	1	Circlip	D 50 DIN 471
8	ELG 009	2	Bearing bush	D 50x55x60
9	EA 005	2	Grease nipple	M10x1 DIN71412
10	HXE2010	1	Hose clip	
11	ES 353	2	Screw	M 5x40 DIN 7984
12	UP1518	1	Outer boom ram	
13	ELG 002	2	Bearing bush	D 50x55x40
14	HBD 020	1	Spacer	
15	EA 023	1	Grease nipple	M 10x1 DIN 71412
16	HY1396	1	Cylinder tube	
17	TD 577	1	Seal kit (+19)	
18	HK 291	1	Piston	
19	EG 051	2	Guide ring	75x70x15
20	HV 384	1	Cylinder nut	
21	HSK1254	1	Piston rod	
22	ELG 020	2	Bearing bush	d070xD075xL040
23	HBD 177	1	Spacer	
24	EZ 578	0	Edge protection (metro goods) (sold by the meter)	4-6 mm

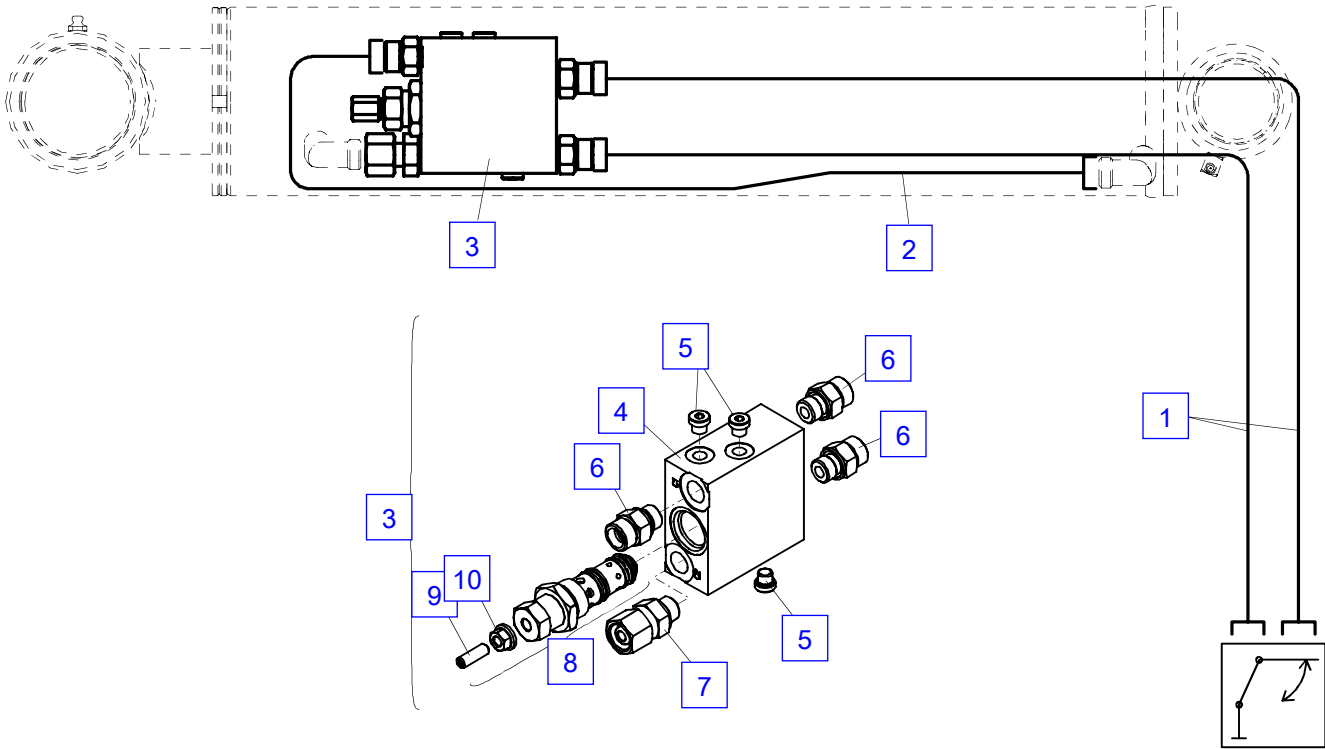


Pipes-Outer boom ram

No.	Spare part	Qty.	Description	Dimension
1	EH4881	2	Pressure hose (H)	NW 10x3600
1	EH4886	2	Pressure hose (F)	NW 10x4350
2	HLR 8837	1	Pipe	D 12
3	UV432-340	1	Load holding valve	
4	HG 172	1	Housing	
5	EA 423	3	Locking screw	VSTI R 1/8"
6	EA 039	3	Fitting	GE 12S R3/8"-ED
7	EA 201	1	Fitting	EGE 12S R3/8"-ED
8	EV2151	1	Pressure relief valve	
	TD 853	1	Seal kit	
9	ES1036	1	Set screw	M 8x20 DIN 916
10	EM 199	1	Sealing nut	M 8x1.5
11	UV500-350	1	Load holding valve	
12	HLR12735	1	Pipe	D 12

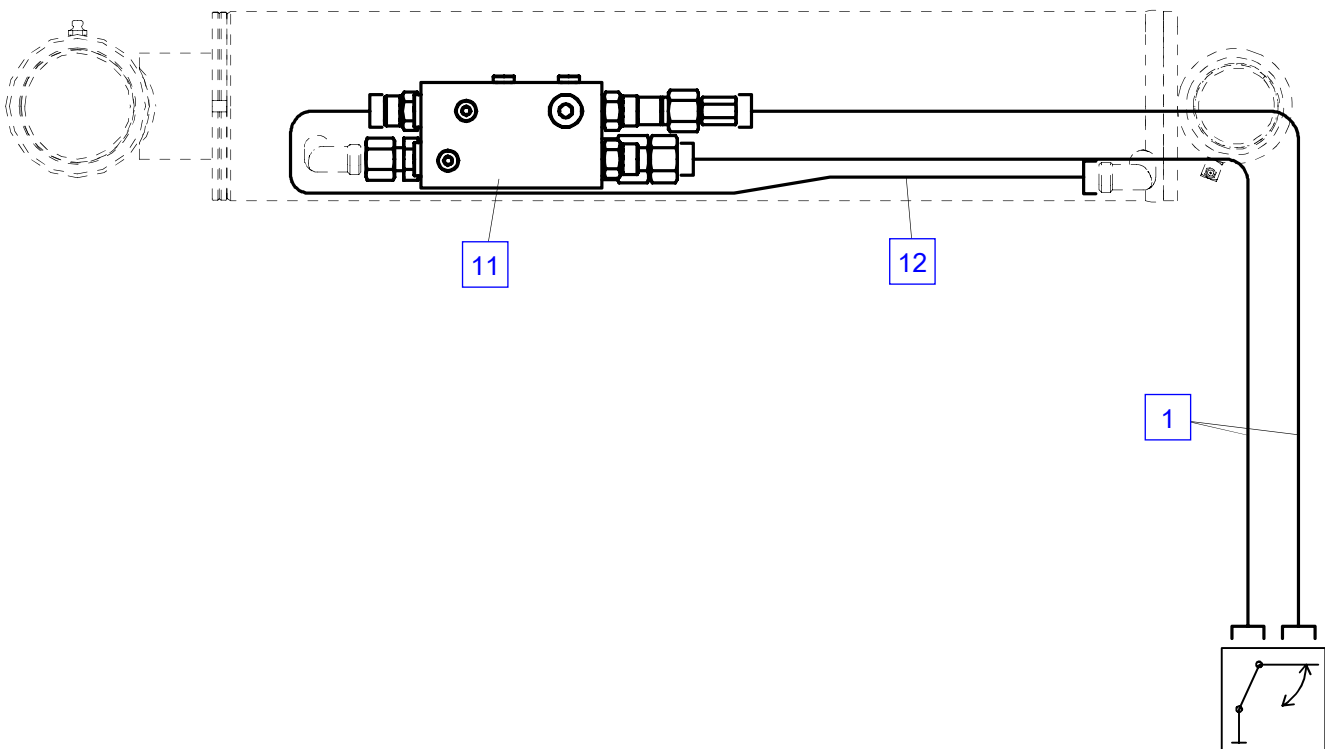
PK 7501

Knickzylinder
Outer boom ram
Verin deuxieme bras



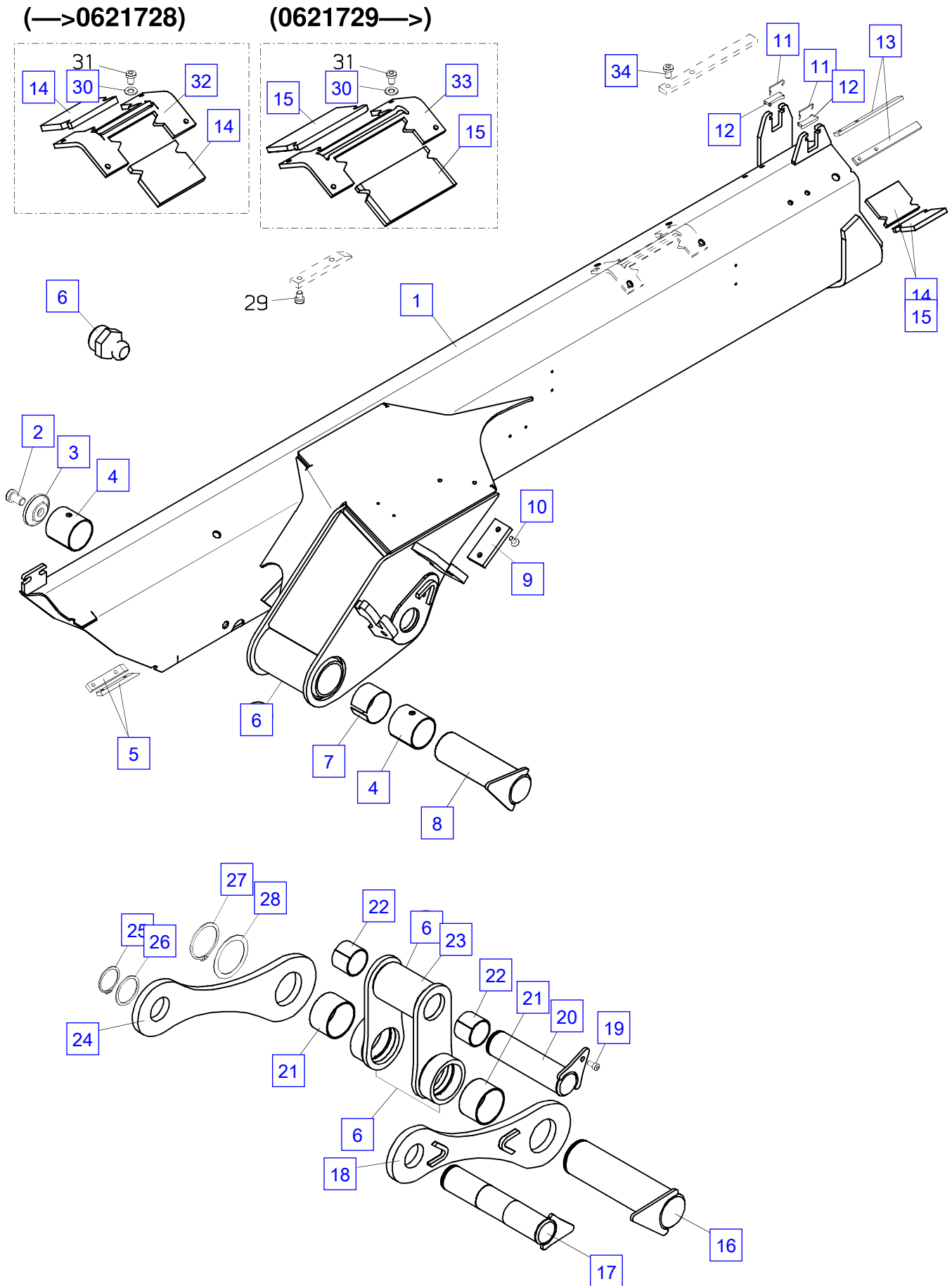
PK 8501

Knickzylinder
Outer boom ram
Verin deuxieme bras



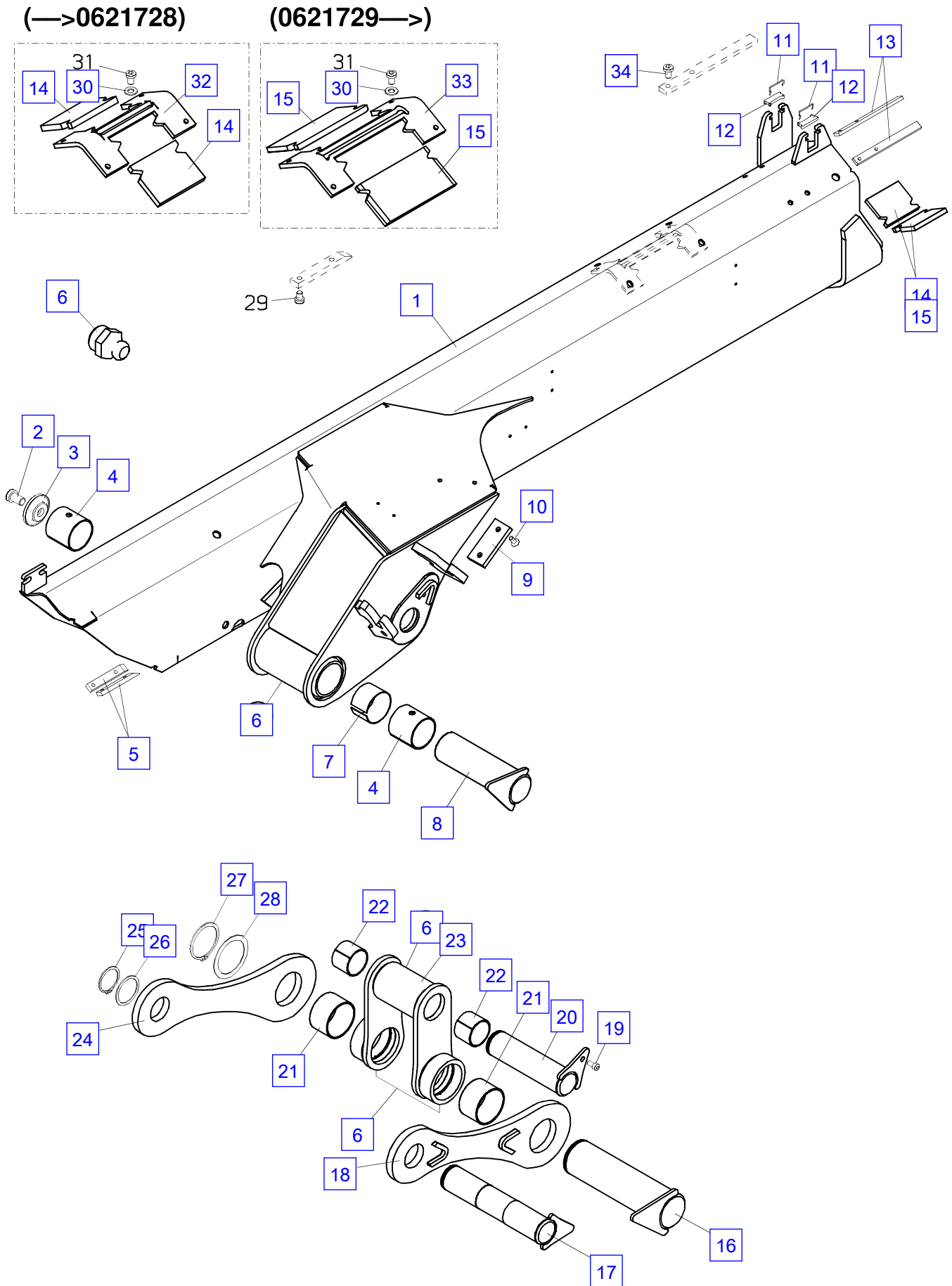
Outer boom

No.	Spare part	Qty.	Description	Dimension
1	S105K01-A	1	Outer boom	
2	ES 505	1	Screw	M 16x30 ISO4762 10.9
2	ES 979	1	Screw	M 16x25 DIN7984 8.8
3	HB 130	1	Washer	S0013 L0013 D0065
	HT16348	1	Spacer	D=35 s=1.5 mm
4	ELG 011	2	Bearing bush	D 60x65x60
5	HTR 659	2	Guide block	8 mm
5	HTR 837	2	Guide block	6 mm
5	HTR1024	2	Guide block	10 mm
6	EA 005	4	Grease nipple	M10x1 DIN71412
7	HBD 314	1	Spacer	L0180 B0041 S0001
8	HIG 599	1	Pin	D060.0xL0194.5
9	HTR3920	1	Stop buffer	10 mm
9	HTR3921	1	Stop buffer	12 mm
9	HTR3922	1	Stop buffer	13 mm
9	HTR3923	1	Stop buffer	14 mm
9	HTR3924	1	Stop buffer	8 mm
9	HTR3956	1	Stop buffer	15 mm
9	HTR3957	1	Stop buffer	16 mm
9	HTR3958	1	Stop buffer	18 mm
9	HTR3959	1	Stop buffer	20 mm
10	ES 109	2	Screw	M 8x20 ISO14581- 8.8
10	ES 297	2	Screw	M 8x25 ISO14581- 8.8
11	EF 144	2	Spring	
12	HT5746	2	Bearer	L=42 B=15 S=6
13	HTR2951	2	Guide block	6 mm
13	HTR2952	2	Guide block	8 mm
13	HTR2953	2	Guide block	10 mm
13	HTR2982	2	Guide block	1 mm
14	HF 846	4	Guide block	8 mm l=85 mm
14	HF 847	4	Guide block	9 mm
14	HF 848	4	Guide block	10 mm
14	HF 849	4	Guide block	11 mm
14	HF 850	4	Guide block	12 mm l=85 mm
14	HF 851	4	Guide block	13 mm l=85 mm
15	HF 846A	4	Guide block	8 mm
15	HF 847A	4	Guide block	9 mm
15	HF 848A	4	Guide block	10 mm
15	HF 849A	4	Guide block	11 mm
15	HF 850A	4	Guide block	12 mm
15	HF 851A	4	Guide block	13 mm
16	HI2774	1	Pin	D070.0xL0245.0
17	HI2773	1	Pin	D050.0xL0245.0
18	HHK 317	1	Linkage system	
19	ES 264	1	Screw	M8x16 ISO4762- 8.8
20	HI2771	1	Pin	D050.0xL0181.1
21	HBK 089	2	Bearing bush	D 70x75x45
22	ELG 002	2	Bearing bush	D 50x55x40
23	HHK 318	1	Linkage system	
24	HHK 316	1	Linkage system	
25	EQ 086	1	Circlip	D 50 DIN 471
26	HBS 874	1	Spacer	2 mm
27	EQ 062	1	Circlip	D 70 DIN 471
28	HBS 760	1	Spacer	1,5 mm
28	HBS 888	1	Spacer	2,0 mm
29	ES1089	4	Screw	M 8x10 DIN 7984 8.8
30	EK 003	4	Washer	D 8.4 ISO7089
31	ES1082	4	Screw	M 8x12 DIN 7984 8.8
32	HA3737	1	Bearer	



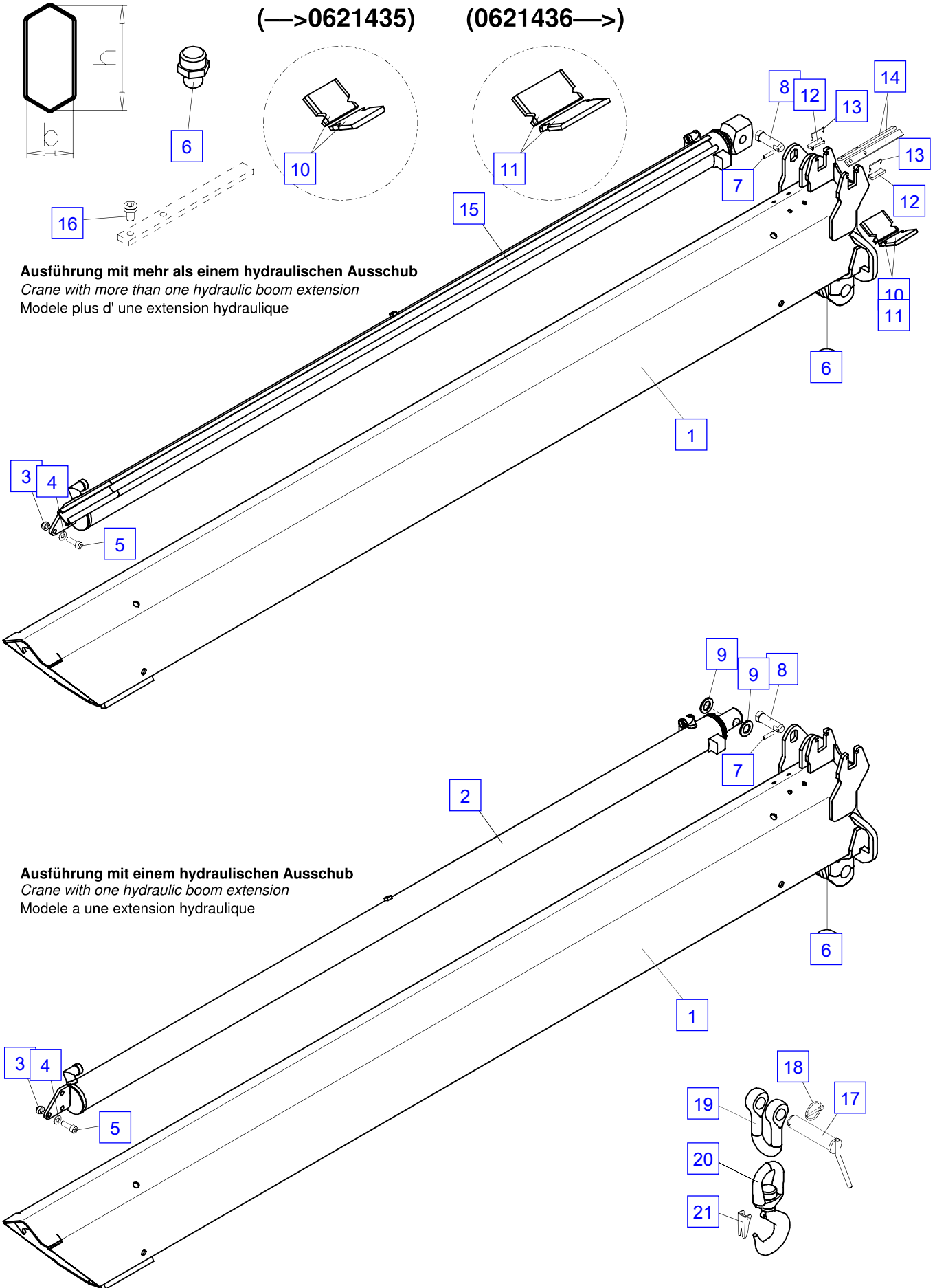
Outer boom

No.	Spare part	Qty.	Description	Dimension
33	HA3737A	1	Bearer	L0211xB0110xS006
34	ES1082	4	Screw	M 8x12 DIN 7984 8.8
34	ES1089	4	Screw	M 8x10 DIN 7984 8.8



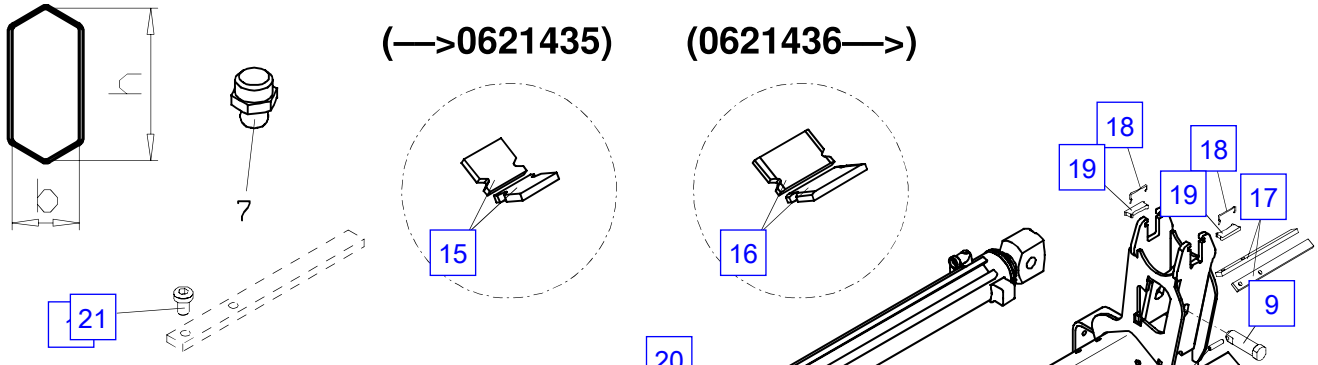
Boom extension 1

No.	Spare part	Qty.	Description	Dimension
1	S106T01-A	1	Boom extension	260x140 mm
2	UP2075	1	Extension boom ram-1 (page 070.0600)	
2	UP2075B	1	Extension boom ram (page 070.0601)	Cr
3	EM 021	2	Nut	DIN 985 M10 CL8 ZB
4	EK 007	2	Washer	D 10.5 ISO7089
5	ES 276	2	Screw	M 10x30 ISO4762- 8.8
6	EA 005	2	Grease nipple	M10x1 DIN71412
7	EQ 218	1	Winding pin	D 6x30 ISO8752
8	HI 704	1	Pin	D020.0xL0055.0
9	EK 176	2	Washer	D021.0xD037.0 ISO7089
10	HF 840	2	Guide block	8 mm l=70 mm
10	HF 841	2	Guide block	9 mm
10	HF 842	2	Guide block	10 mm
10	HF 843	2	Guide block	11 mm
10	HF 844	2	Guide block	12 mm l=70 mm
10	HF 845	2	Guide block	13 mm l=70 mm
11	HF 840A	2	Guide block	8 mm
11	HF 841A	2	Guide block	9 mm
11	HF 842A	2	Guide block	10 mm
11	HF 843A	2	Guide block	11 mm
11	HF 844A	2	Guide block	12 mm
11	HF 845A	2	Guide block	13 mm
12	HT5746	2	Bearer	L=42 B=15 S=6
13	EF 144	2	Spring	
14	HTR2951	2	Guide block	6 mm
14	HTR2952	2	Guide block	8 mm
14	HTR2953	2	Guide block	10 mm
14	HTR2982	2	Guide block	1 mm
15	UP1452	1	Extension boom ram-II (page 070.0600)	
15	UP1452B	1	Extension boom ram (page 070.0601)	Cr
16	ES1082	4	Screw	M 8x12 DIN 7984 8.8
16	ES1089	4	Screw	M 8x10 DIN 7984 8.8
17	HIS 008	1	Pin	l=135 mm
18	EQ 042	1	Bolt retainer	D 5,0 DIN 11023 - 05x042 - ST
19	HXL 010	1	Suspension eye	11t
20	EZ1422	1	Crane hook (+21)	5,4 t
	EZ1423	1	Safety latch	
20	EZ1600	1	Crane hook (+21)	8,0 t
	EZ1599	1	Safety latch	
21	EZ1423	1	Safety latch	
21	EZ1599	1	Safety latch (for EZ1600)	

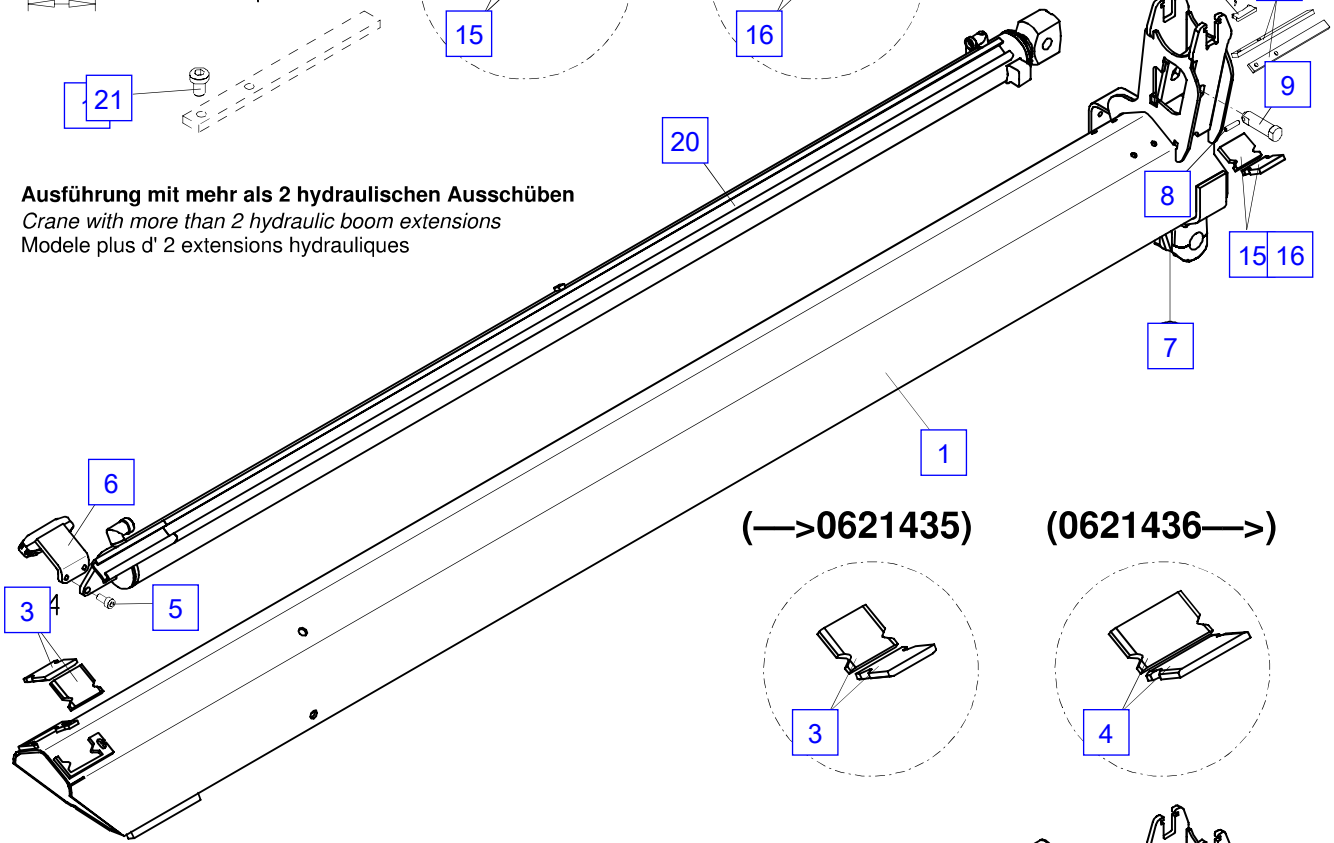


Boom extension 2

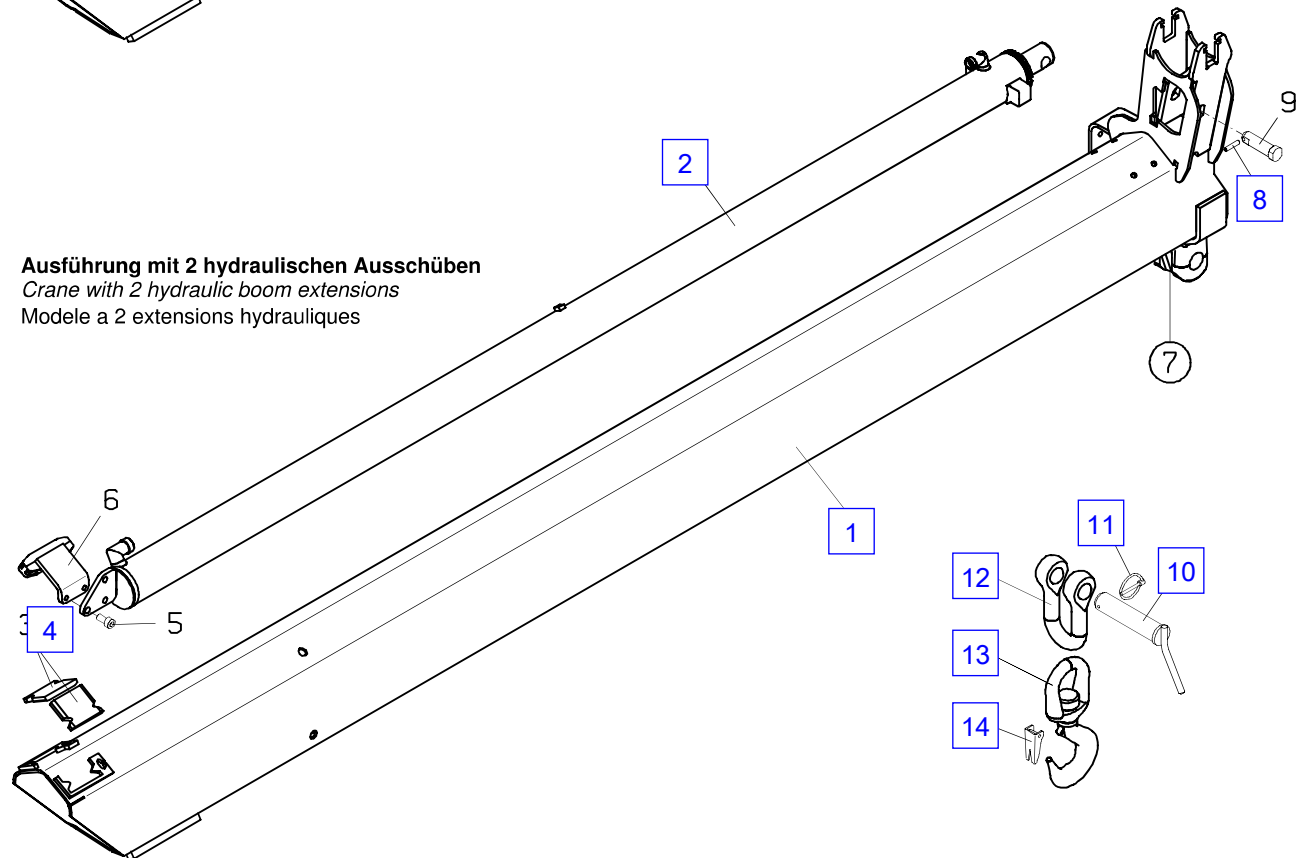
No.	Spare part	Qty.	Description	Dimension
1	1160-711	1	Boom extensions	224x120 mm
2	UP2075	1	Extension boom ram-1 (page 070.0600)	
2	UP2075B	1	Extension boom ram (page 070.0601)	Cr
3	HF 840	2	Guide block	8 mm l=70 mm
3	HF 841	2	Guide block	9 mm
3	HF 842	2	Guide block	10 mm
3	HF 843	2	Guide block	11 mm
3	HF 844	2	Guide block	12 mm l=70 mm
3	HF 845	2	Guide block	13 mm l=70 mm
4	HF 840A	2	Guide block	8 mm
4	HF 841A	2	Guide block	9 mm
4	HF 842A	2	Guide block	10 mm
4	HF 843A	2	Guide block	11 mm
4	HF 844A	2	Guide block	12 mm
4	HF 845A	2	Guide block	13 mm
5	ES 050	2	Screw	M 10x20 ISO4762-10.9
6	HXE1679B	1	Cylinder guide	
	EM 006	2	Nut	DIN 934 M10 CL8 ZB
	EZ2402A	1	Guide block	
	ES 828	2	Screw	M 10x40 ISO14581-8.8
7	EA 005	1	Grease nipple	M10x1 DIN71412
8	EQ 218	1	Winding pin	D 6x30 ISO8752
9	HI 704	1	Pin	D020.0xL0055.0
10	HIS 008	1	Pin	l=135 mm
11	EQ 042	1	Bolt retainer	D 5,0 DIN 11023 - 05x042 - ST
12	HXL 010	1	Suspension eye	11t
13	EZ1422	1	Crane hook (+14)	5,4 t
	EZ1423	1	Safety latch	
13	EZ1600	1	Crane hook (+14)	8,0 t
	EZ1599	1	Safety latch	
14	EZ1423	1	Safety latch EZ1422	
14	EZ1599	1	Safety latch EZ1600	
15	HF 834	2	Guide block	8 mm l=55 mm
15	HF 835	2	Guide block	9 mm l=55 mm
15	HF 836	2	Guide block	10 mm l=55 mm
15	HF 837	2	Guide block	11 mm l=55 mm
15	HF 838	2	Guide block	12 mm l=55 mm
15	HF 839	2	Guide block	13 mm l=55 mm
16	HF 834A	2	Guide block	8 mm
16	HF 835A	2	Guide block	9 mm
16	HF 836A	2	Guide block	10 mm
16	HF 838A	1	Guide block	12 mm
16	HF 835A	1	Guide block	9 mm
16	HF 834A	1	Guide block	8 mm
16	HF 837A	2	Guide block	11 mm
16	HF 838A	2	Guide block	12 mm
16	HF 839A	2	Guide block	13 mm
17	HTR2951	2	Guide block	6 mm
17	HTR2952	2	Guide block	8 mm
17	HTR2953	2	Guide block	10 mm
17	HTR2982	2	Guide block	1 mm
18	EF 144	2	Spring	
19	HT5746	2	Bearer	L=42 B=15 S=6
20	UP1452	1	Extension boom ram-II (page 070.0600)	



Ausführung mit mehr als 2 hydraulischen Ausschüben
Crane with more than 2 hydraulic boom extensions
Modele plus d' 2 extensions hydrauliques

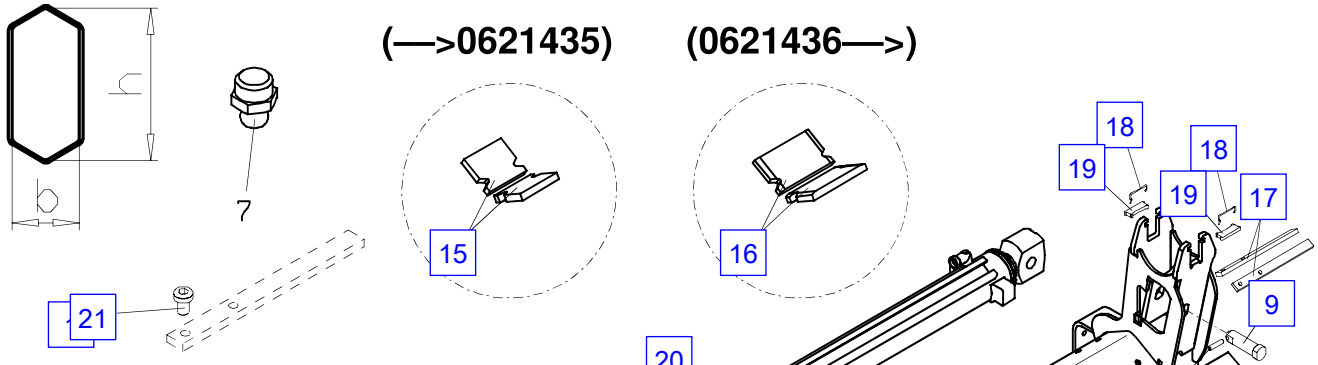


Ausführung mit 2 hydraulischen Ausschüben
Crane with 2 hydraulic boom extensions
Modele a 2 extensions hydrauliques

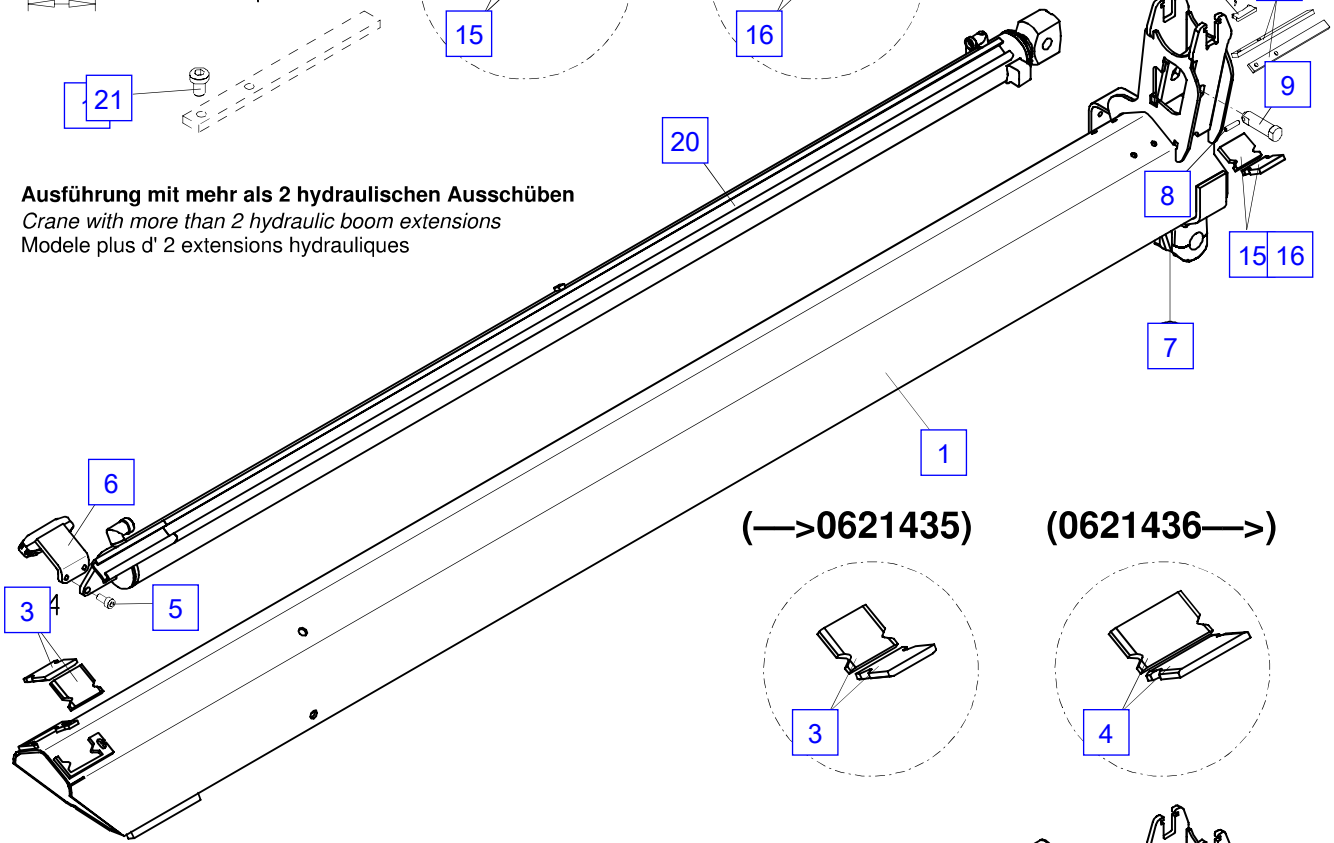


Boom extension 2

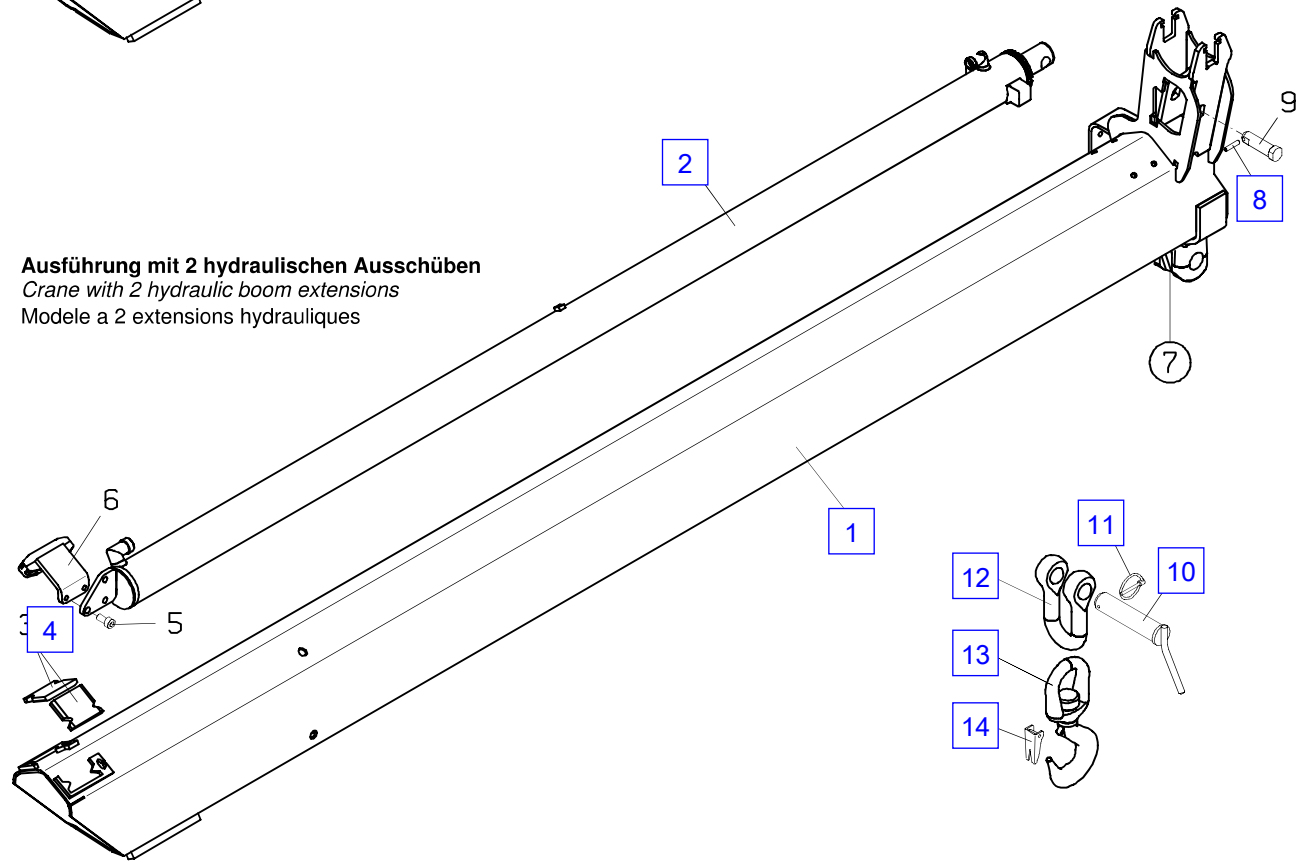
No.	Spare part	Qty.	Description	Dimension
20	UP1452B	1	Extension boom ram (page 070.0601)	Cr
21	ES1082	4	Screw	M 8x12 DIN 7984 8.8
21	ES1089	4	Screw	M 8x10 DIN 7984 8.8



Ausführung mit mehr als 2 hydraulischen Ausschüben
Crane with more than 2 hydraulic boom extensions
 Modele plus d' 2 extensions hydrauliques

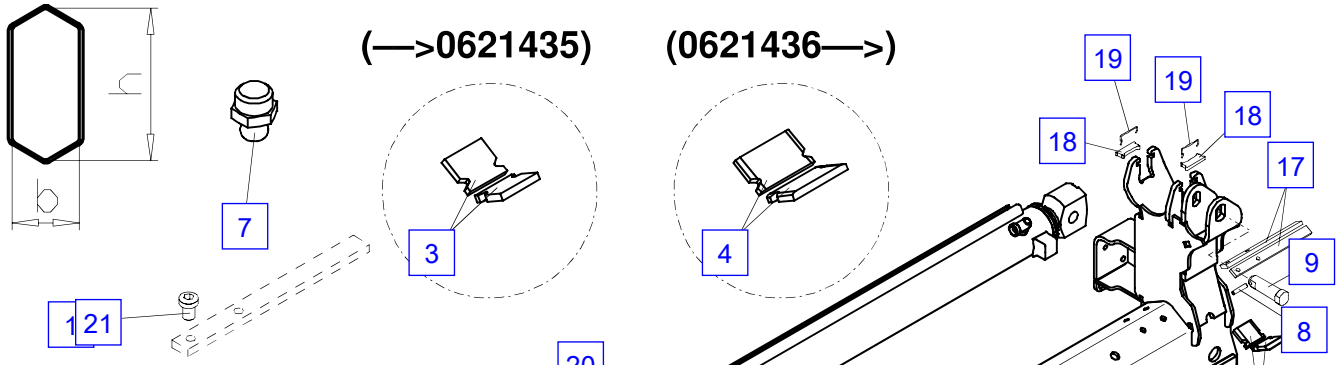


Ausführung mit 2 hydraulischen Ausschüben
Crane with 2 hydraulic boom extensions
 Modele a 2 extensions hydrauliques

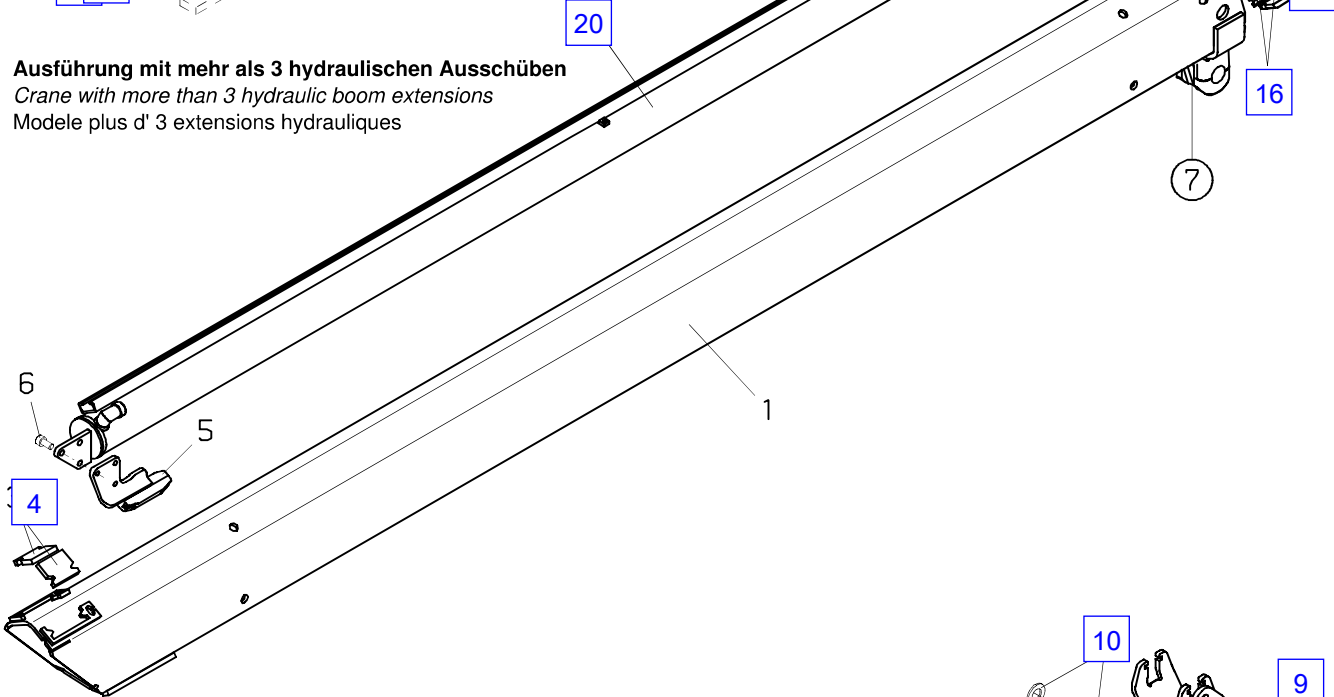


Boom extension 3

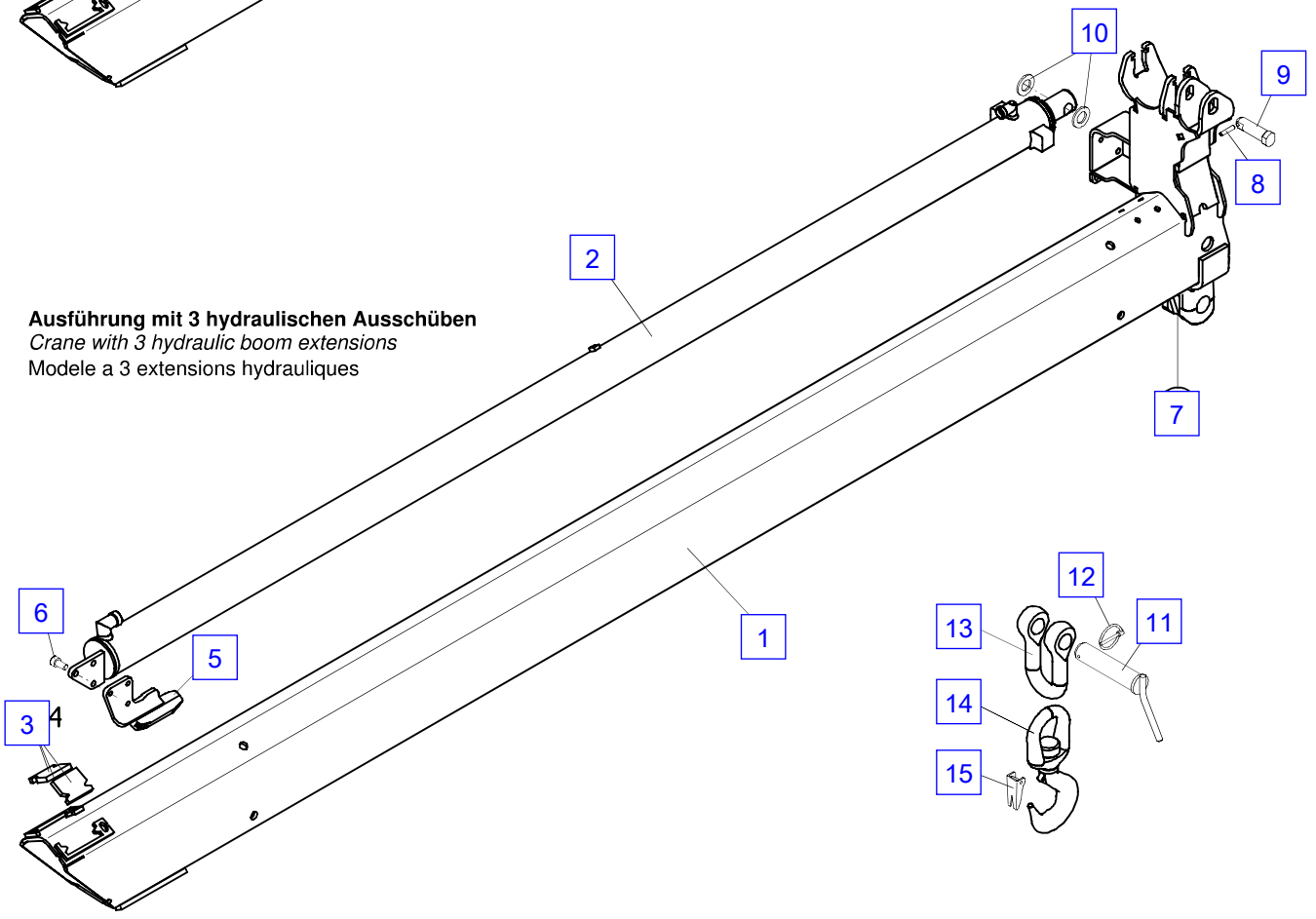
No.	Spare part	Qty.	Description	Dimension
1	1160-712	1	Boom extensions	188x98 mm
2	UP1454	1	Extension boom ram (page 070.0600)	
2	UP1454A	1	Extension boom ram (page 070.0601)	Cr
3	HF 834	2	Guide block	8 mm l=55 mm
3	HF 835	2	Guide block	9 mm l=55 mm
3	HF 836	2	Guide block	10 mm l=55 mm
3	HF 837	2	Guide block	11 mm l=55 mm
3	HF 838	2	Guide block	12 mm l=55 mm
3	HF 839	2	Guide block	13 mm l=55 mm
4	HF 834A	2	Guide block	8 mm
4	HF 835A	2	Guide block	9 mm
4	HF 836A	2	Guide block	10 mm
4	HF 838A	1	Guide block	12 mm
4	HF 835A	1	Guide block	9 mm
4	HF 834A	1	Guide block	8 mm
4	HF 837A	2	Guide block	11 mm
4	HF 838A	2	Guide block	12 mm
4	HF 839A	2	Guide block	13 mm
5	HXE1624A	1	Cylinder guide	
	EM 006	2	Nut	DIN 934 M10 CL8 ZB
	EZ2402A	1	Guide block	
	ES 828	2	Screw	M 10x40 ISO14581-8.8
6	ES 050	3	Screw	M 10x20 ISO4762-10.9
7	EA 005	1	Grease nipple	M10x1 DIN71412
8	EQ 218	1	Winding pin	D 6x30 ISO8752
9	HI 704	1	Pin	D020.0xL0055.0
10	EK 176	2	Washer	D021.0xD037.0 ISO7089
11	HIS 008	1	Pin	l=135 mm
12	EQ 042	1	Bolt retainer	D 5,0 DIN 11023 - 05x042 - ST
13	HXL 010	1	Suspension eye	11t
14	EZ1422	1	Crane hook (+15)	5,4 t
	EZ1423	1	Safety latch	
14	EZ1600	1	Crane hook (+15)	8,0 t
	EZ1599	1	Safety latch	
15	EZ1423	1	Safety latch EZ1422	
15	EZ1599	1	Safety latch EZ1600	
16	HF 829	2	Guide block	8 mm
16	HF 830	2	Guide block	9 mm
16	HF 831	2	Guide block	10 mm
16	HF 832	2	Guide block	11 mm
16	HF 833	2	Guide block	12 mm
17	HTR2951	2	Guide block	6 mm
17	HTR2952	2	Guide block	8 mm
17	HTR2953	2	Guide block	10 mm
17	HTR2982	2	Guide block	1 mm
18	HT5746	2	Bearer	L=42 B=15 S=6
19	EF 144	2	Spring	
20	UP1453	1	Extension boom ram-3 (page 070.0600)	
20	UP1453A	1	Extension boom ram (page 070.0601)	Cr
21	ES1082	4	Screw	M 8x12 DIN 7984 8.8
21	ES1089	4	Screw	M 8x10 DIN 7984 8.8



Ausführung mit mehr als 3 hydraulischen Ausschüben
 Crane with more than 3 hydraulic boom extensions
 Modèle plus d' 3 extensions hydrauliques

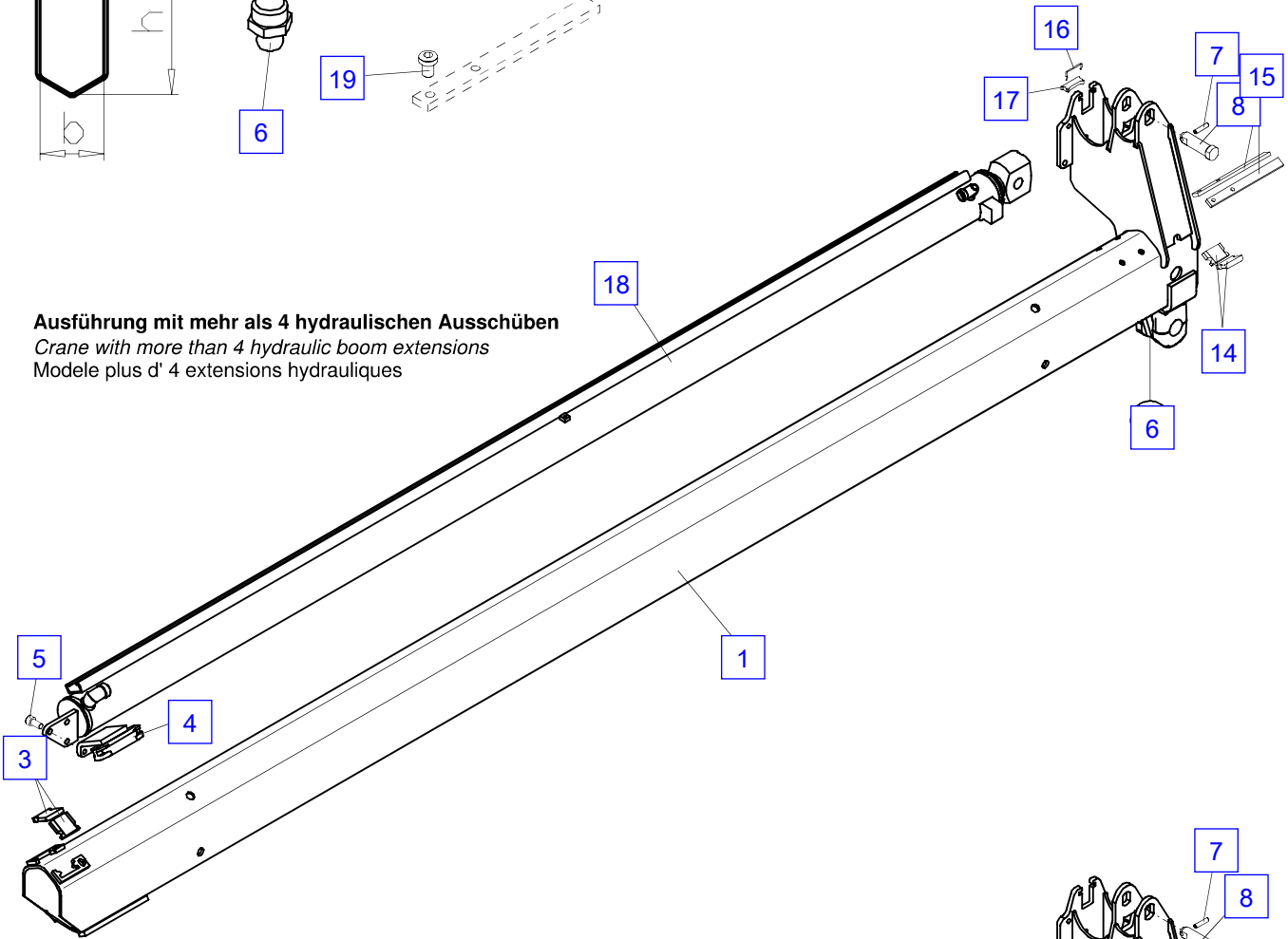
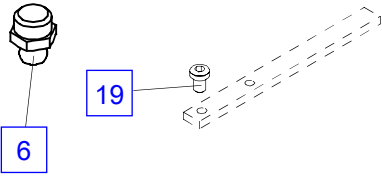
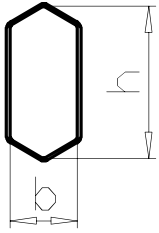


Ausführung mit 3 hydraulischen Ausschüben
 Crane with 3 hydraulic boom extensions
 Modèle a 3 extensions hydrauliques

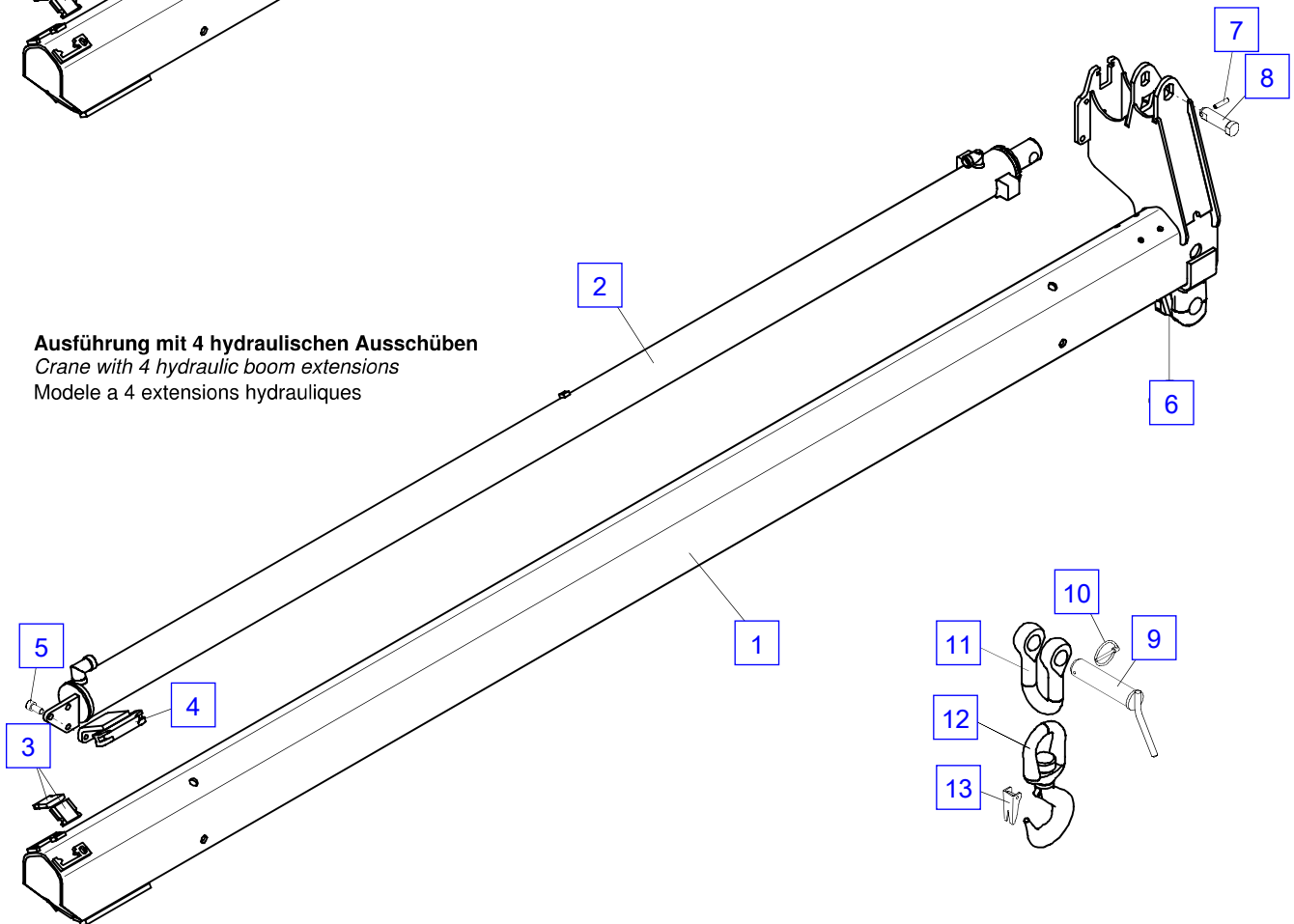


Boom extension 4

No.	Spare part	Qty.	Description	Dimension
1	1160-713	1	Boom extensions	155x79 mm
2	UP1454	1	Extension boom ram (page 070.0600)	
2	UP1454A	1	Extension boom ram (page 070.0601)	Cr
3	HF 829	2	Guide block	8 mm
3	HF 830	2	Guide block	9 mm
3	HF 831	2	Guide block	10 mm
3	HF 832	2	Guide block	11 mm
3	HF 833	2	Guide block	12 mm
4	HXE1679B	1	Cylinder guide	
	EM 006	2	Nut	DIN 934 M10 CL8 ZB
	EZ2402A	1	Guide block	
	ES 828	2	Screw	M 10x40 ISO14581-8.8
5	ES 050	2	Screw	M 10x20 ISO4762-10.9
6	EA 005	1	Grease nipple	M10x1 DIN71412
7	EQ 218	1	Winding pin	D 6x30 ISO8752
8	HI 704	1	Pin	D020.0xL0055.0
9	HIS 008	1	Pin	l=135 mm
10	EQ 042	1	Bolt retainer	D 5,0 DIN 11023 - 05x042 - ST
11	HXL 010	1	Suspension eye	11t
12	EZ1422	1	Crane hook (+13)	5,4 t
	EZ1423	1	Safety latch	
12	EZ1600	1	Crane hook (+13)	8,0 t
	EZ1599	1	Safety latch	
13	EZ1423	1	Safety latch EZ1422	
13	EZ1599	1	Safety latch EZ1600	
14	HF 824	2	Guide block	8 mm
14	HF 825	2	Guide block	9 mm
14	HF 826	2	Guide block	10 mm
14	HF 827	2	Guide block	11 mm
14	HF 828	2	Guide block	12 mm
15	HTR2951	2	Guide block	6 mm
15	HTR2952	2	Guide block	8 mm
15	HTR2953	2	Guide block	10 mm
15	HTR2982	2	Guide block	1 mm
16	EF 144	1	Spring	
17	HT5746	1	Bearer	L=42 B=15 S=6
18	UP1453	1	Extension boom ram-3 (page 070.0600)	
18	UP1453A	1	Extension boom ram (page 070.0601)	Cr
19	ES1082	4	Screw	M 8x12 DIN 7984 8.8
19	ES1089	4	Screw	M 8x10 DIN 7984 8.8



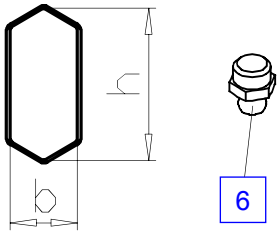
Ausführung mit mehr als 4 hydraulischen Ausschüben
Crane with more than 4 hydraulic boom extensions
Modele plus d' 4 extensions hydrauliques



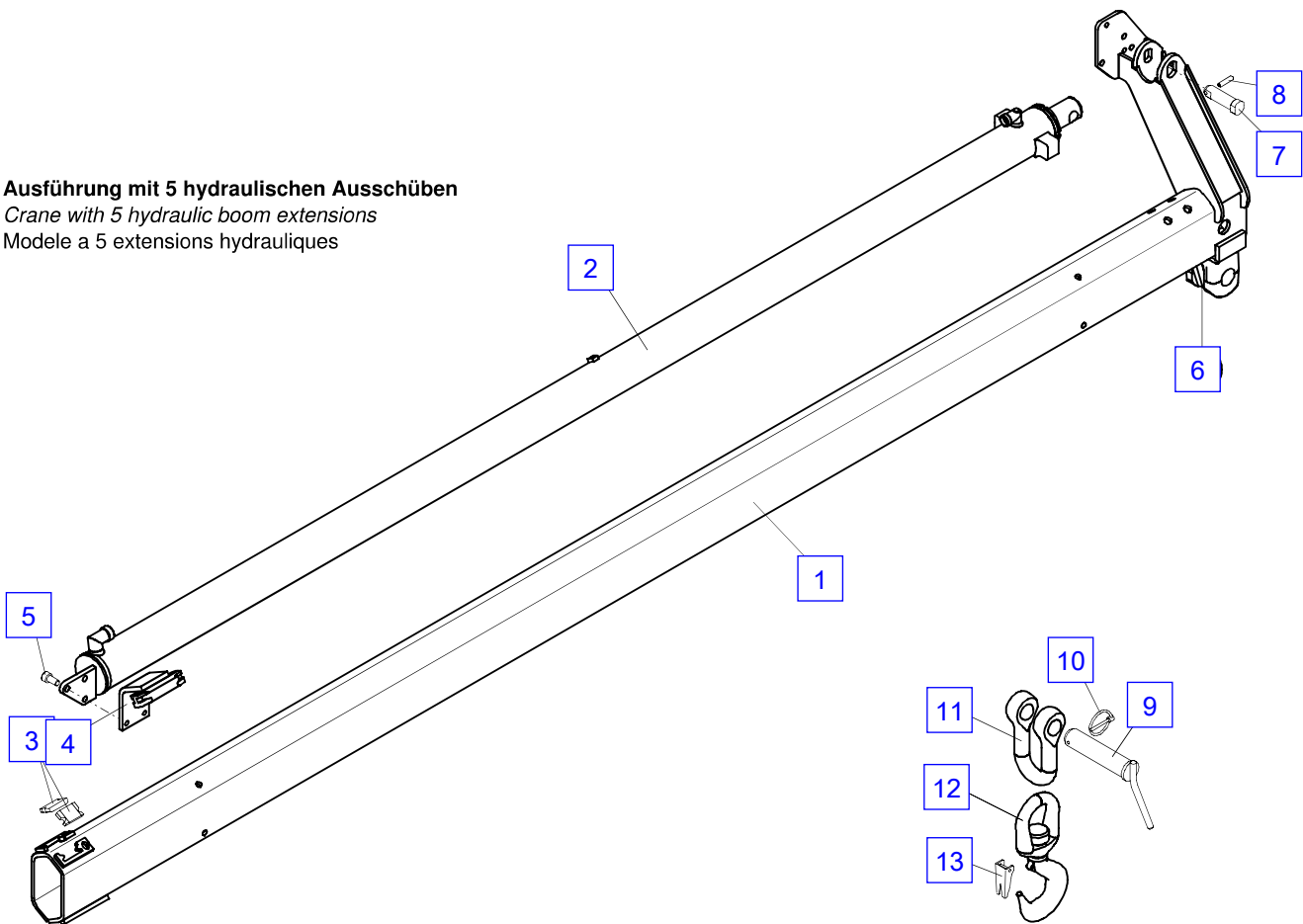
Ausführung mit 4 hydraulischen Ausschüben
Crane with 4 hydraulic boom extensions
Modele a 4 extensions hydrauliques

Boom extension 5

No.	Spare part	Qty.	Description	Dimension
1	1160-714	1	Boom extensions	123x62 mm
2	UP1454	1	Extension boom ram (page 070.0600)	
2	UP1454A	1	Extension boom ram (page 070.0601)	Cr
3	HF 824	2	Guide block	8 mm
3	HF 825	2	Guide block	9 mm
3	HF 826	2	Guide block	10 mm
3	HF 827	2	Guide block	11 mm
3	HF 828	2	Guide block	12 mm
4	HXE1623A	1	Cylinder guide	
	EZ2402A	1	Guide block	
	ES 828	2	Screw	M 10x40 ISO14581-8.8
	EM 006	2	Nut	DIN 934 M10 CL8 ZB
5	ES 050	2	Screw	M 10x20 ISO4762-10.9
6	EA 005	1	Grease nipple	M10x1 DIN71412
7	HI 704	1	Pin	D020.0xL0055.0
8	EQ 218	1	Winding pin	D 6x30 ISO8752
9	HIS 008	1	Pin	l=135 mm
10	EQ 042	1	Bolt retainer	D 5,0 DIN 11023 - 05x042 - ST
11	HXL 010	1	Suspension eye	11t
12	EZ1422	1	Crane hook (+13)	5,4 t
	EZ1423	1	Safety latch	
12	EZ1600	1	Crane hook (+13)	8,0 t
	EZ1599	1	Safety latch	
13	EZ1423	1	Safety latch EZ1422	
13	EZ1599	1	Safety latch EZ1600	



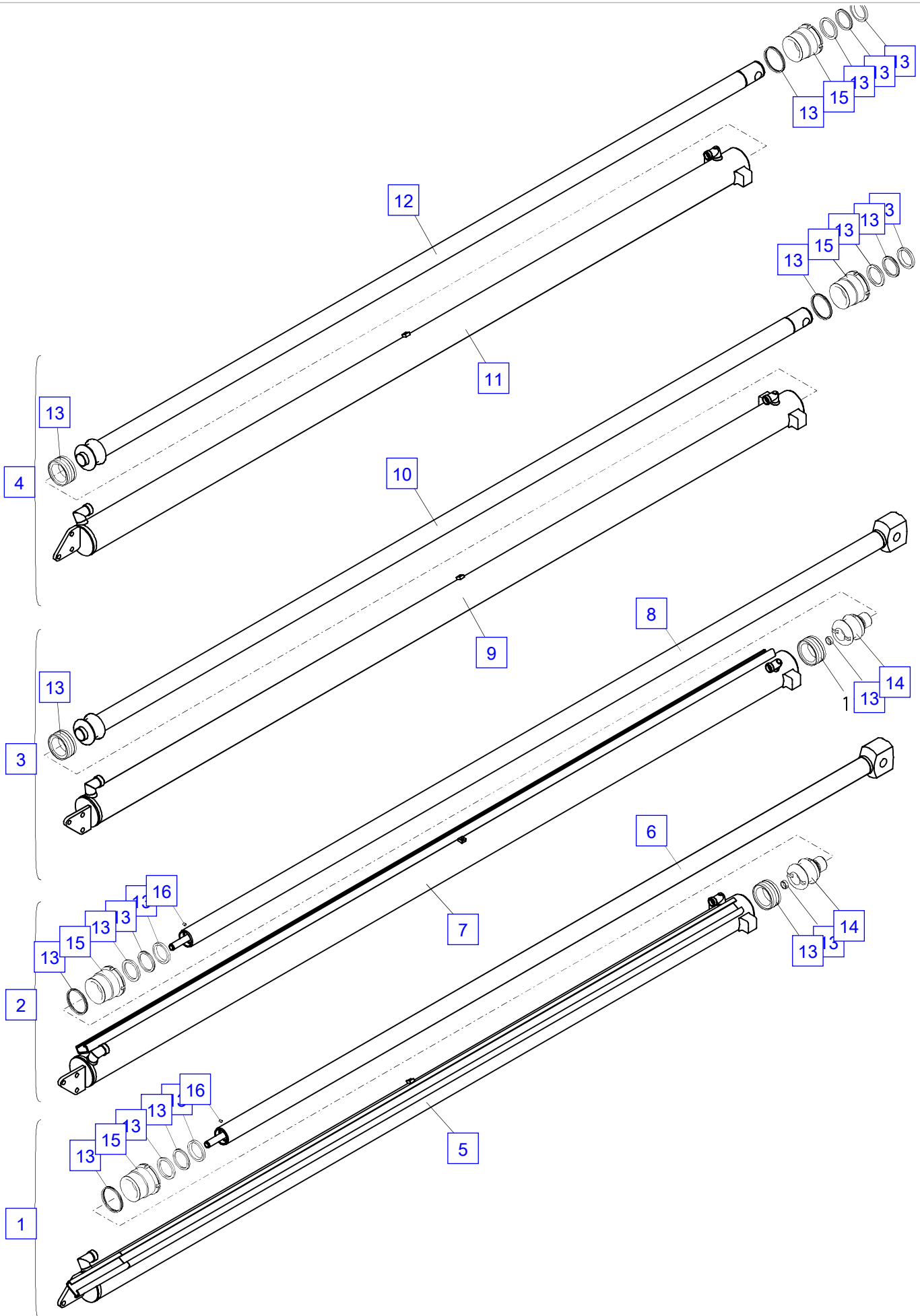
Ausführung mit 5 hydraulischen Ausschüben
Crane with 5 hydraulic boom extensions
Modele a 5 extensions hydrauliques



Extension boom cylinders 1-5

No.	Spare part	Qty.	Description	Dimension
1	UP1452	1	Extension boom ram-II Type A,B	
2	UP1453	1	Extension boom ram-3 Type C,D	
3	UP1454	1	Extension boom ram (Type B) (Type C) (Type D)	
4	UP2075	1	Extension boom ram-1 Type A,	
5	HY1353	1	Cylinder tube	d060
6	HSK1219	1	Piston rod	
7	HY1354	1	Cylinder tube	d060
8	HSK1220	1	Piston rod	Cr
9	HY1355	1	Cylinder tube	d060
10	HSK1221	1	Piston rod	D040xL.2225 Dzyl.060 Cr
11	HY1841	1	Cylinder tube	d060
12	HSK1266	1	Piston rod	D040xL.2075 Dzyl.060 Cr
13	TD 528	4	Seal kit	
14	HK 300	2	Piston	
15	HV 370	4	Cylinder nut	M064x2.0 d040xL060
16	ES 228	2	Set screw	M 6x6 DIN 913

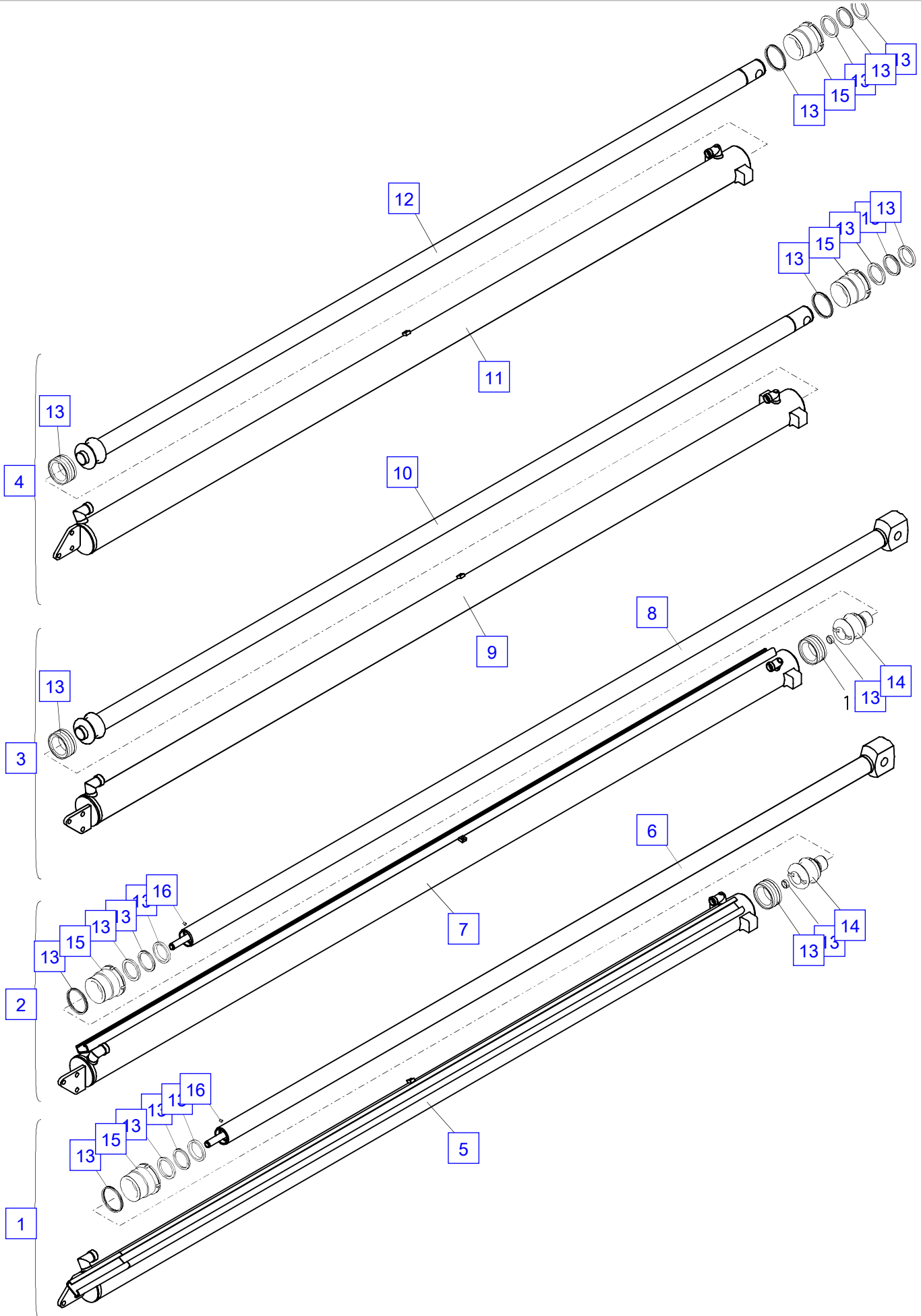
Extension boom cylinders 1-5



Extension boom cylinders 1-5

No.	Spare part	Qty.	Description	Dimension
1	UP1452	1	Extension boom ram-II (Type A) (Type B)	
2	UP1453A	1	Extension boom ram (Type C) (Type D)	Cr
3	UP1454A	1	Extension boom ram (Type B) (Type C) (Type D)	Cr
4	UP2075B	1	Extension boom ram (Type standard) (Type A)	Cr
5	HY1353	1	Cylinder tube	d060
6	HSK1219	1	Piston rod	
7	HY1354	1	Cylinder tube	d060
8	HSK1220	1	Piston rod	Cr
9	HY1355	1	Cylinder tube	d060
10	HSK1221	1	Piston rod	D040xL2225 Dzyl.060 Cr
11	HY1841	1	Cylinder tube	d060
12	HSK1266	1	Piston rod	D040xL2075 Dzyl.060 Cr
13	TD 528A	4	Seal kit	
14	HK 300A	2	Piston	D060xL083.0 M032x1.5
15	HV 370A	4	Cylinder nut	M064x2.0 d040xL060
16	ES1644	2	Set screw	M 6x6 DIN 914

Extension boom cylinders 1-5



Pipes-Boom extens.ram

No.	Spare part	Qty.	Description	Dimension
1	EV5144	1	Load holding valve	
2	ES1157	2	Screw	M8x70 DIN 912
3	HBS1020	2	Spacer	S0002.5 L0020.0 D0016
4	EH4874	2	Hose (H)	NW 10x4800
4	EH4888	2	Pressure hose (F)	NW 10x5650
5	EA 183	5	Fitting	GE 12S R1/2"-ED
6	EA 074	3	Fitting	GE 16S R1/2"-ED
7	EA 496	1	Fitting	G 16 S
8	HLR 8838	1	Pipe	D 16
9	HLR 8833	1	Pipe	D 16
10	HLR 8834	1	Pipe	D 12
11	HLR 8275	1	Pipe	D 16
12	HLR 8276	1	Pipe	D 12
13	HLR 8467	1	Pipe	D 16
14	HLR 8278	1	Pipe	D 12

Ausführung mit 3 hydraulischen Ausschüben

Crane with 3 hydraulic boom extensions
 Modelle a 3 extensions hydrauliques

Schubzylinder 3

Boom extension ram 3

Verin d'extension 3

Schubzylinder 2

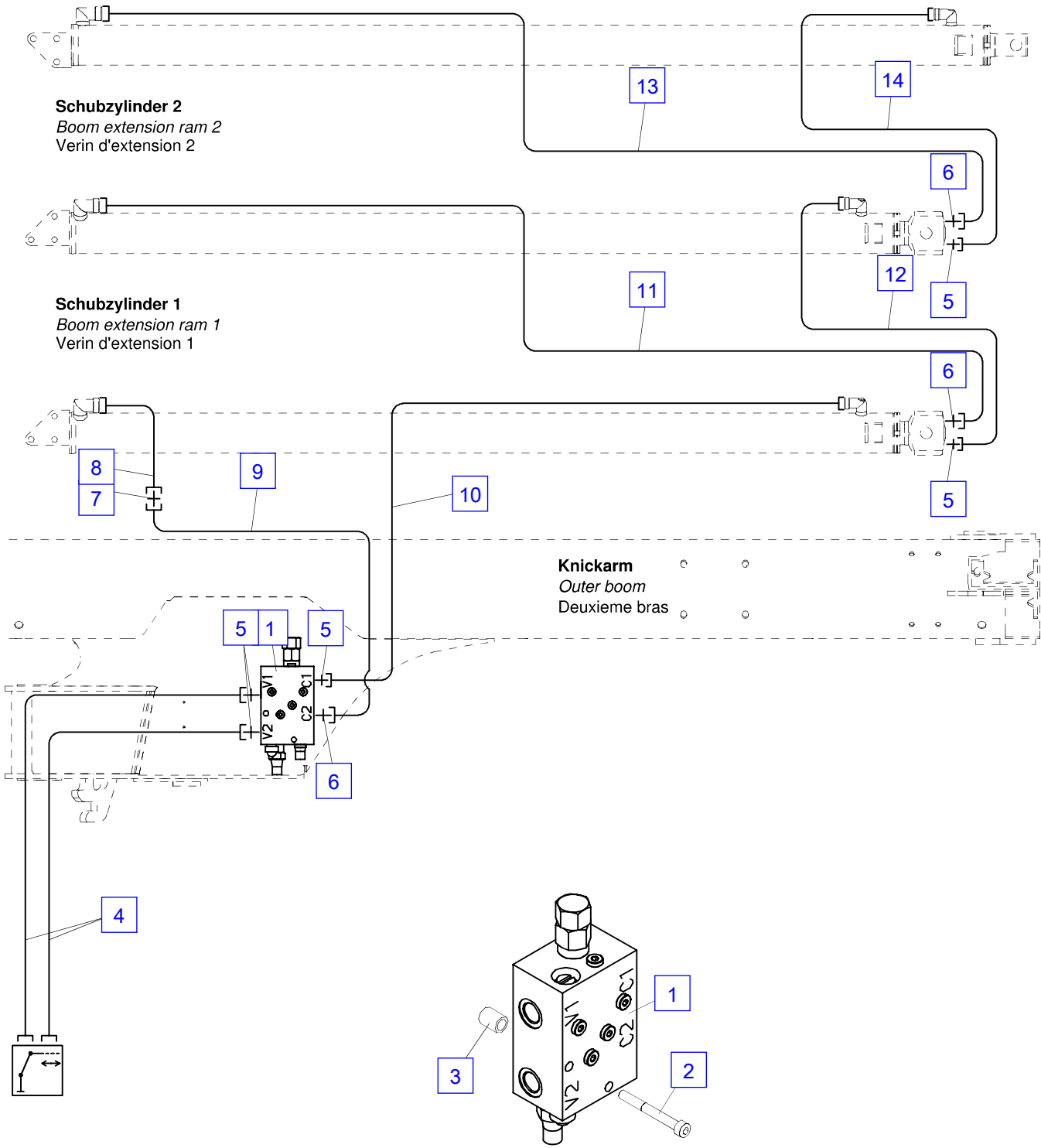
Boom extension ram 2

Verin d'extension 2

Schubzylinder 1

Boom extension ram 1

Verin d'extension 1



Pipes-Boom extens.ram

No.	Spare part	Qty.	Description	Dimension
1	EV5144	1	Load holding valve	
2	ES1157	2	Screw	M8x70 DIN 912
3	HBS1020	2	Spacer	S0002.5 L0020.0 D0016
4	EH4874	2	Hose (H)	NW 10x4800
4	EH4888	2	Pressure hose (F)	NW 10x5650
5	EA 183	6	Fitting	GE 12S R1/2"-ED
6	EA 074	4	Fitting	GE 16S R1/2"-ED
7	EA 496	1	Fitting	G 16 S
8	HLR 8838	1	Pipe	D 16
9	HLR 8833	1	Pipe	D 16
10	HLR 8834	1	Pipe	D 12
11	HLR 8275	1	Pipe	D 16
12	HLR 8276	1	Pipe	D 12
13	HLR 8277	1	Pipe	D 16
14	HLR 8468	1	Pipe	D 12
15	HLR 8469	1	Pipe	D 16
16	HLR 8466	1	Pipe	D 12

Ausführung mit 4 hydraulischen Ausschüben
Crane with 4 hydraulic boom extensions
 Modele a 4 extensions hydrauliques

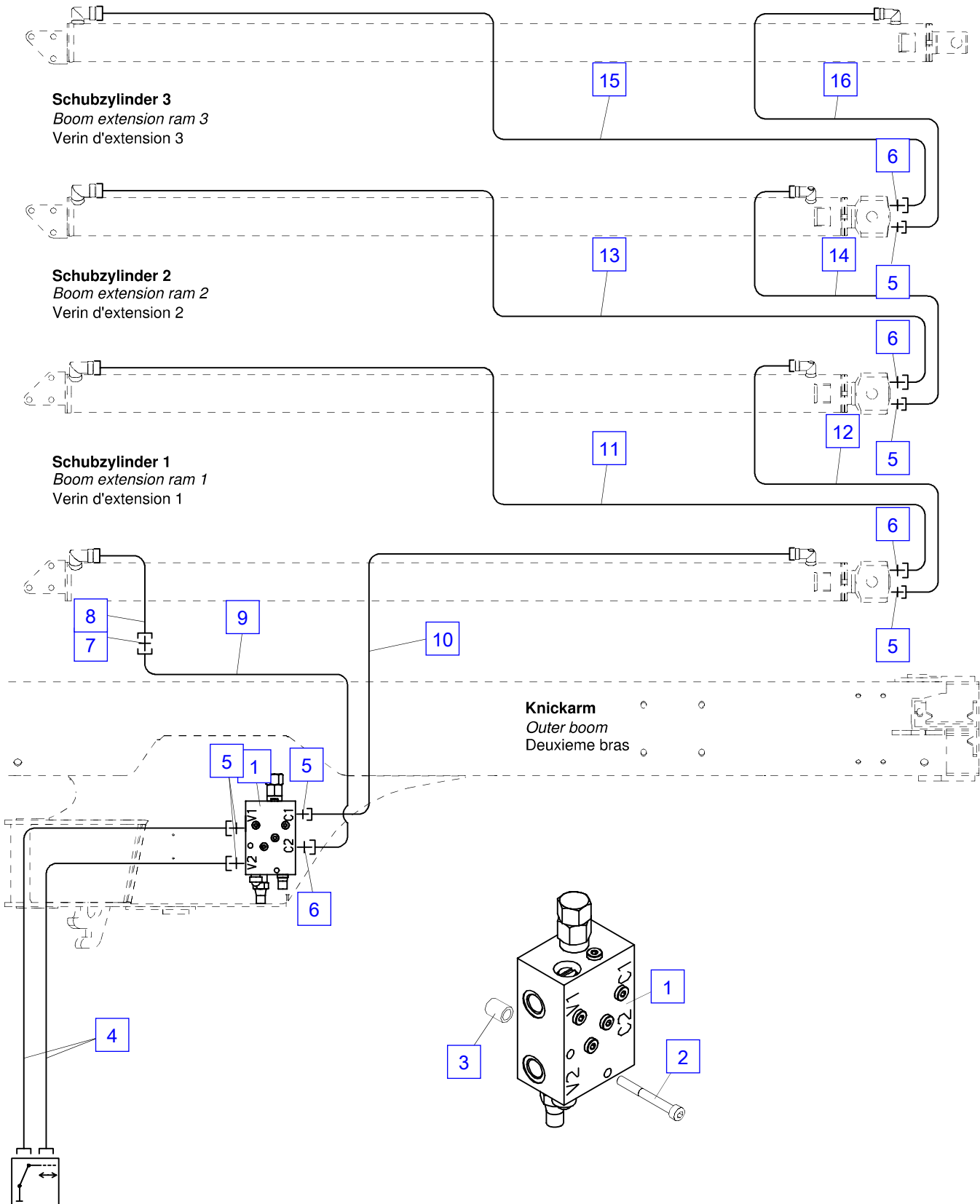
Schubzylinder 4
Boom extension ram 4
 Verin d'extension 4

Schubzylinder 3
Boom extension ram 3
 Verin d'extension 3

Schubzylinder 2
Boom extension ram 2
 Verin d'extension 2

Schubzylinder 1
Boom extension ram 1
 Verin d'extension 1

Knickarm
Outer boom
 Deuxieme bras

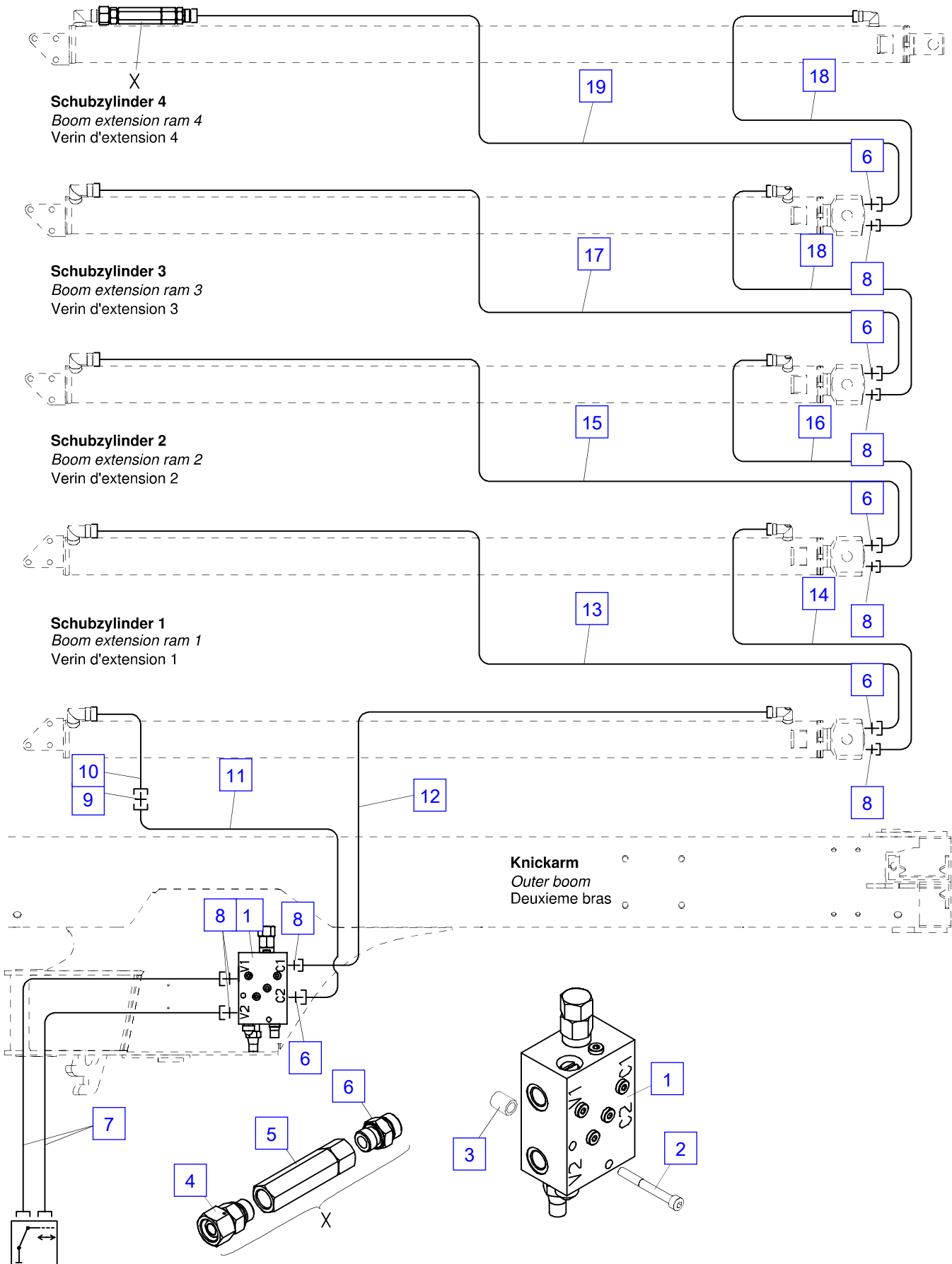


Pipes-Boom extens.ram

No.	Spare part	Qty.	Description	Dimension
1	EV5144	1	Load holding valve	
2	ES1157	2	Screw	M8x70 DIN 912
3	HBS1020	2	Spacer	S0002.5 L0020.0 D0016
4	EA 181	1	Fitting	EGE 16S R1/2"-ED
5	EV 363/040	1	Pretension valve	40 bar
6	EA 074	6	Fitting	GE 16S R1/2"-ED
7	EH4874	2	Hose (H)	NW 10x4800
7	EH4888	2	Pressure hose (F)	NW 10x5650
8	EA 183	7	Fitting	GE 12S R1/2"-ED
9	EA 496	1	Fitting	G 16 S
10	HLR 8838	1	Pipe	D 16
11	HLR 8833	1	Pipe	D 16
12	HLR 8834	1	Pipe	D 12
13	HLR 8275	1	Pipe	D 16
14	HLR 8276	1	Pipe	D 12
15	HLR 8277	1	Pipe	D 16
16	HLR 8468	1	Pipe	D 12
17	HLR 8463	1	Pipe	D 16
18	HLR 8466	2	Pipe	D 12
19	HLR 8465	1	Pipe	D 16

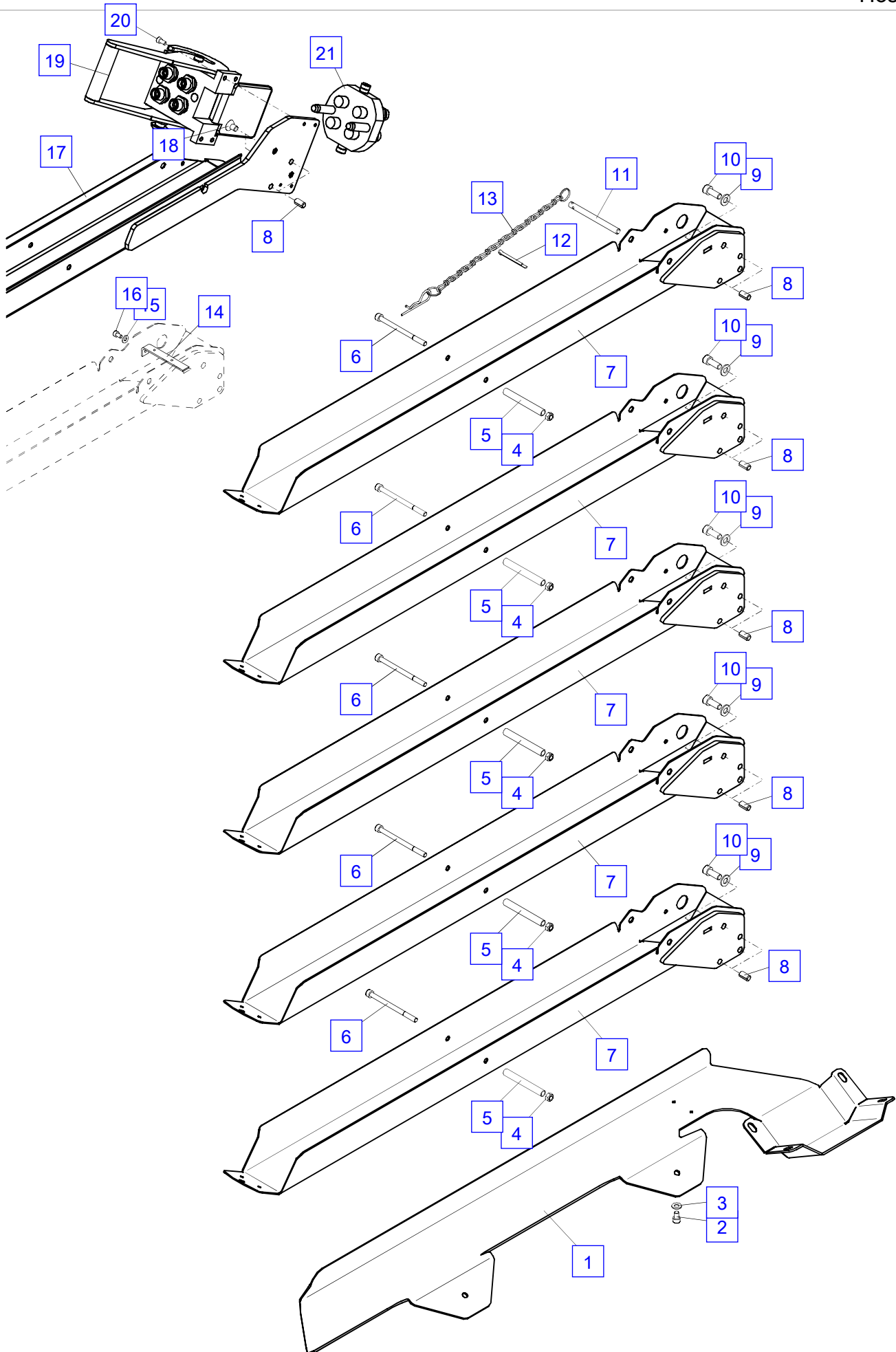
Ausführung mit 5 hydraulischen Ausschüben
 Crane with 5 hydraulic boom extensions
 Modele a 5 extensions hydrauliques

Schubzylinder 5
 Boom extension ram 5
 Verin d'extension 5



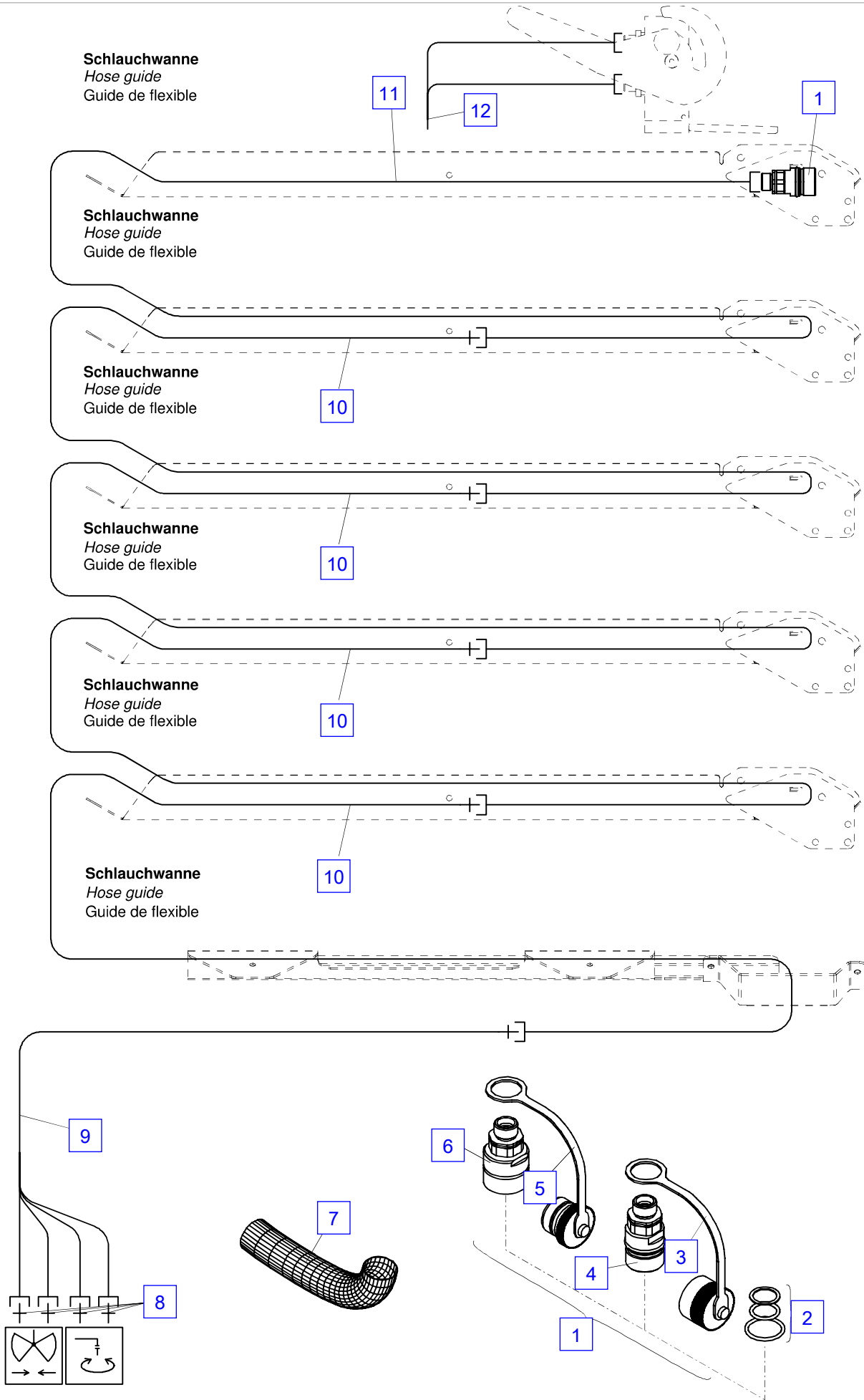
Hose trays

No.	Spare part	Qty.	Description	Dimension
1	HA3559	1	Hose tray	
2	ES 374	6	Screw	M 8x12 ISO4762- 8.8
3	EK 003	6	Washer	D 8.4 ISO7089
4	EM 026	5	Nut	M 8 DIN 985
5	HBS2126	5	Spacer tube	D12.0xd9.0xL=92 mm
6	ES1163	5	Screw	M 8x110 DIN 912
7	HXE1154	5	Hose tray	
8	EQ 044	10	Winding pin	D 10x20 DIN1481
9	EK 007	10	Washer	D 10.5 ISO7089
10	ES 050	10	Screw	M 10x20 ISO4762-10.9
11	HI2453	1	Pin	l=117 mm
12	EQ 021	1	Split pin	D 5x50 ISO 1234
13	HXS 032	1	Safety chain	
14	HA4298	4	Bearer	L0115.5xB0015xS003
15	EK 043	4	Washer	D 6.4 DIN 134
16	ES 414	4	Screw	M6x10 ISO4762 - 8.8
17	HXE2817	1	Hose tray	
18	ES 314	2	Screw	M 10x16 ISO14581- 8.8
19	EA2186	1	Quick-coupling	
20	ES1150	4	Screw	M 6x12 - 8.8 - ISO4762
21	EA2187	1	Quick-coupling	
	TD1734	1	Seal kit	



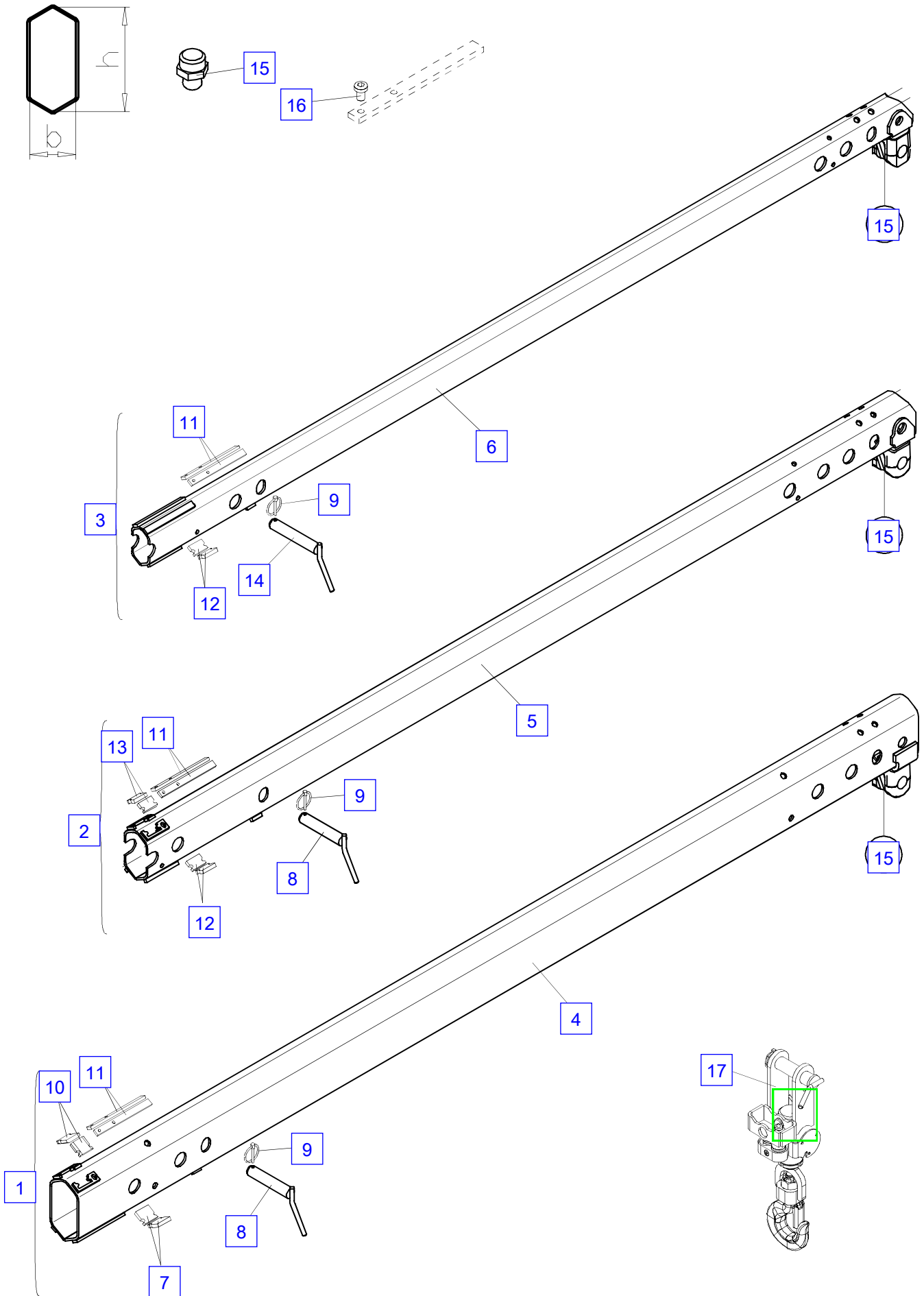
Pipes-Hose guide

No.	Spare part	Qty.	Description	Dimension
1	EA1113	2	Quick coupling, cpl.	12S NW 10 DIN2353
2	TD 045	1	Seal kit, cpl.	
3	EK 112	1	Dust cover (red)	Rot
3	EK 143	1	Dust cover (black)	Schwarz
4	EA1266	1	Quick-coupling	12 S
5	EK 113	1	Dust cover (red)	Rot
5	EK 144	1	Dust cover (black)	Schwarz
6	EA1267	1	Quick-coupling	12 S
7	EH 617	0	Protection hose	NW 50x1400
7	EH 619	0	Protection hose	NW 50x1500
7	EH 768	0	Protection hose	NW 70x1500
8	EA1646	4	Fitting	GE 12K R1/2" ED
	EA1645	1	Circlip	WEO 1/2"
9	EH4882	4	Pressure hose (H)	NW 10x5700
9	EH4889	4	Pressure hose (F)	NW 10x6550
10	EH2283	16	Hose	NW 10x2700
11	EH4786	4	Hose	NW 10x3350
12	EH7271	4	Hose	NW 10x3450



Man. boom extensions

No.	Spare part	Qty.	Description	Dimension
1	KMT006ASA	1	Extension V, cpl.	
2	KMT007ASA	1	Extension, cpl.	
3	KMT008ASA	1	Extension , cpl.	
4	KMT006A-A	1	Extension	155x81 mm
5	KMT007A-A	1	Extension	123x64 mm
6	KMT008A-A	1	Extension	93x47 mm
7	HT7633	2	Guide block	9 mm
7	HT2299	2	Guide block	7 mm
7	HT2221	2	Guide block	10 mm
8	HIS 061	2	Pin	l=128 mm
9	EQ 042	3	Bolt retainer	D 5,0 DIN 11023 - 05x042 - ST
10	HF 829	2	Guide block	8 mm
10	HF 830	2	Guide block	9 mm
10	HF 831	2	Guide block	10 mm
10	HF 832	2	Guide block	11 mm
10	HF 833	2	Guide block	12 mm
11	HTR2951	6	Guide block	6 mm
11	HTR2952	6	Guide block	8 mm
11	HTR2953	6	Guide block	10 mm
11	HTR2982	6	Guide block	1 mm
12	HT6723	4	Guide block	7 mm
12	HT2218	4	Guide block	8 mm
12	HT2219	4	Guide block	10 mm
13	HF 824	2	Guide block	8 mm
13	HF 825	2	Guide block	9 mm
13	HF 826	2	Guide block	10 mm
13	HF 827	2	Guide block	11 mm
13	HF 828	2	Guide block	12 mm
14	HIS 040	1	Pin	l= 144 mm
15	EA 005	3	Grease nipple	M10x1 DIN71412
16	ES1082	0	Screw	M 8x12 DIN 7984 8.8
16	ES1088	0	Screw	M 8x6 DIN 7984
16	ES1089	0	Screw	M 8x10 DIN 7984 8.8
17	KLK001A-A	1	Pressure compensator (look KMG00303A) (page 030.0100)	

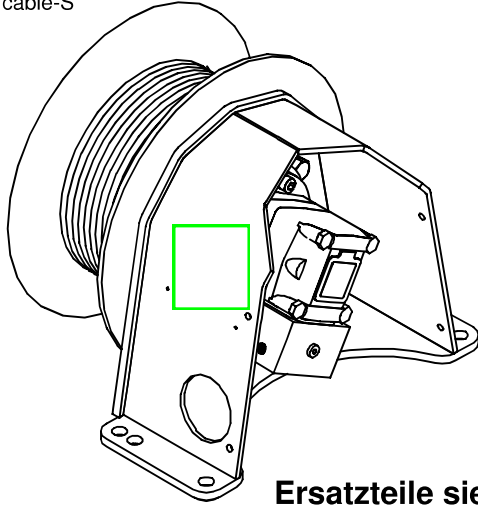


Rope winch-S

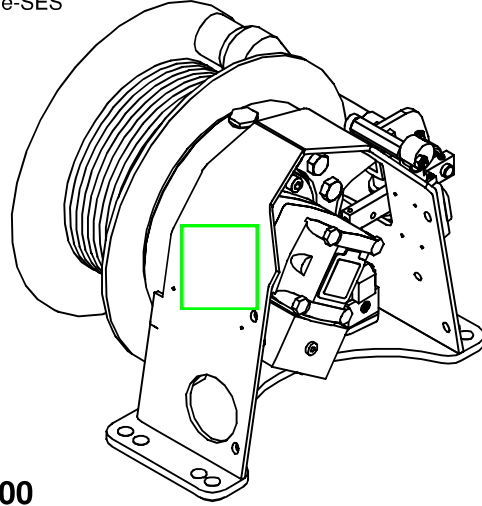
No.	Spare part	Qty.	Description	Dimension
1	ES1395	4	Screw	M 16x40 DIN 912
2	EK 041	4	Washer	D 16 DIN 134
3	HA2275	1	Bracket	
4	EM 031	4	Nut	M 16 DIN 985
5	EQ 066	1	Spring pin	DIN11024
6	HXV 061	1	Rope winder	
7	EZ 574	1	Cotter	
8	EZ 575	1	Load rope	D 8x41 m
8	EZ 656	1	Load rope	D 8x52 m
8	EZ 858	1	Load rope	D 8x33 m

(—>100023340)

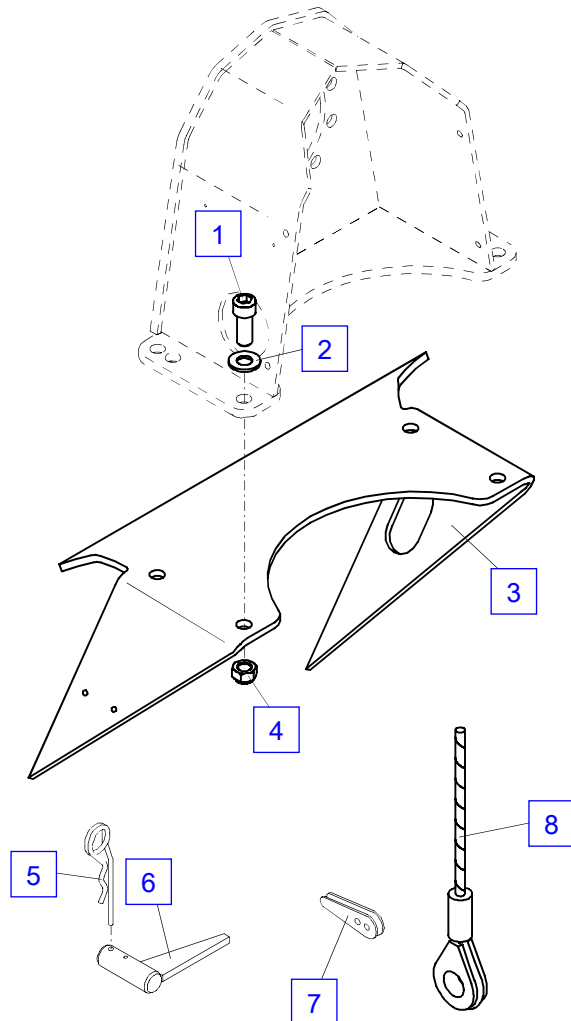
Seilwinde-S
Rope winch-S
Treuil a cable-S



Seilwinde-SES
Rope winch-SES
Treuil a cable-SES



Ersatzteile siehe KBW0000
Spare parts look KBW0000
Pieces de rechange voir KBW0000

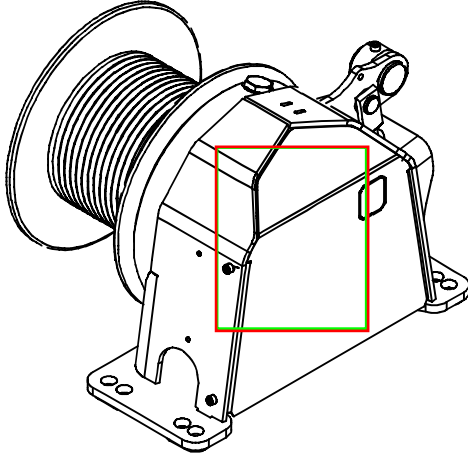


Rope winch-S

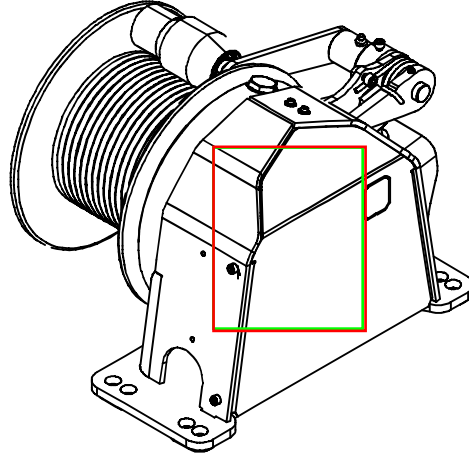
No.	Spare part	Qty.	Description	Dimension
1	ES 188	4	Screw	M 16x45 DIN 933-10.9
2	HA2275	1	Bracket	
3	EK 358	4	Washer	D 17 DIN6916
4	EM 164	4	Nut	M 16 DIN 985
5	EQ 066	1	Spring pin	DIN11024
6	HXV 061	1	Rope winder	
7	EZ 574	1	Cotter	
8	EZ 656	1	Load rope	D 8x52 m

(100023341—>)

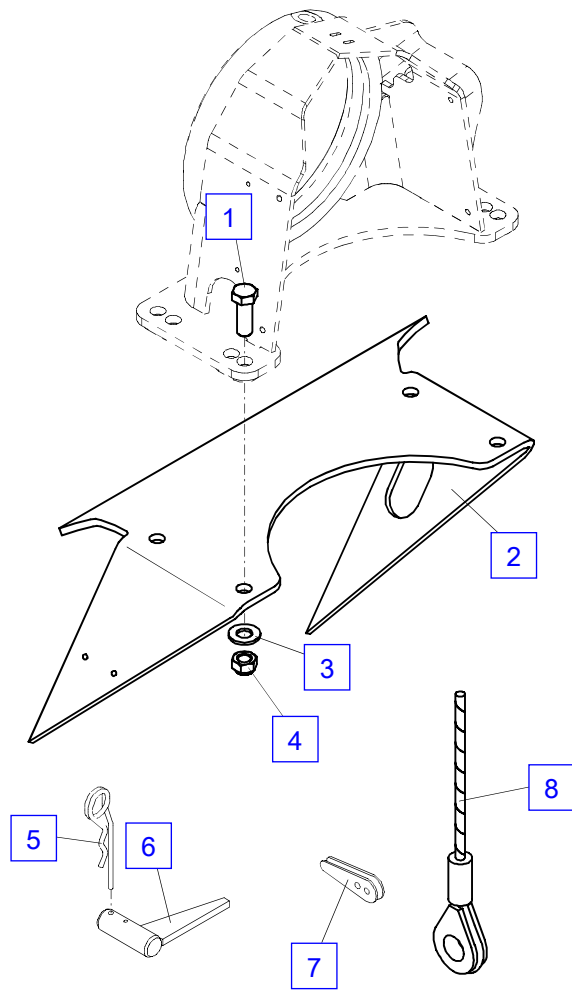
Seilwinde-S
Rope winch-S
Treuil a cable-S



Seilwinde-SES
Rope winch-SES
Treuil a cable-SES



Ersatzteile siehe KBW005A
Spare parts look KBW005A
Pieces de rechange voir KBW005A



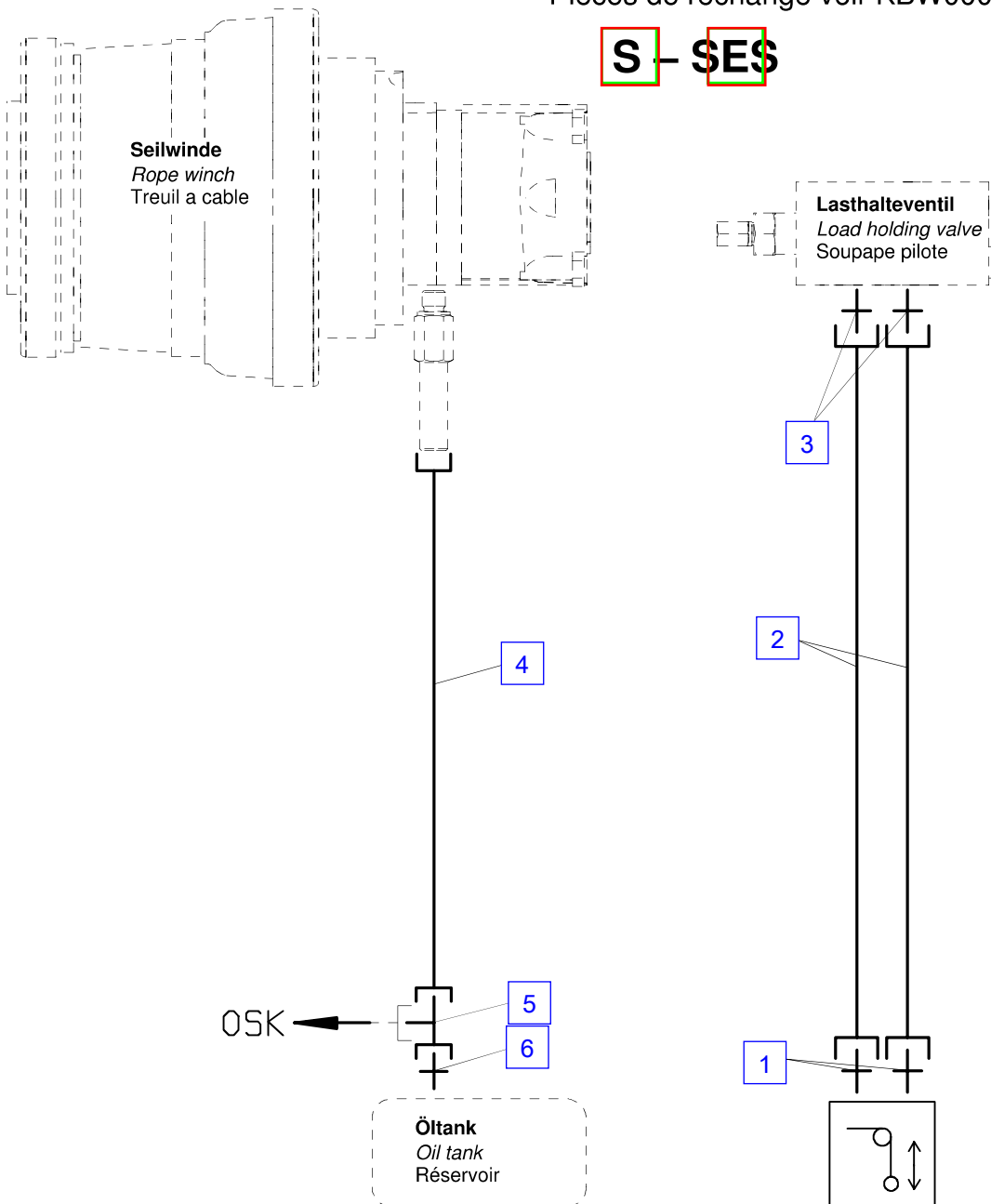
Pipes-Rope winch S

No.	Spare part	Qty.	Description	Dimension
1	EA1646	2	Fitting	GE 12K R1/2" ED
	EA1645	1	Circlip	WEO 1/2"
2	EH4890	2	Pressure hose (F)	NW 10x6900
2	EH4892	2	Pressure hose (H)	NW 10x6150
3	EA 183	2	Fitting	GE 12S R1/2"-ED
4	EH4893	1	Pressure hose (F)	NW 8x7900
4	EH5047	1	Hose (H)	NW 10x9500
5	EA 531	1	L-Coupling	EL 10 L
6	EA 190	1	Fitting	GE 10L R3/8"-ED

(—>100023340)

Ersatzteile siehe KBW0000
Spare parts look KBW0000
Pieces de rechange voir KBW0000

S - SES



Pipes-Rope winch S

No.	Spare part	Qty.	Description	Dimension
1	EA1646	2	Fitting	GE 12K R1/2" ED
	EA1645	1	Circlip	WEO 1/2"
2	EH4890	2	Pressure hose (F)	NW 10x6900
2	EH4892	2	Pressure hose (H)	NW 10x6150
3	EH4893	1	Pressure hose (F)	NW 8x7900
3	EH5047	1	Hose (H)	NW 10x9500
4	EA 531	1	L-Coupling	EL 10 L
5	EA 190	1	Fitting	GE 10L R3/8"-ED

(100023341—>)

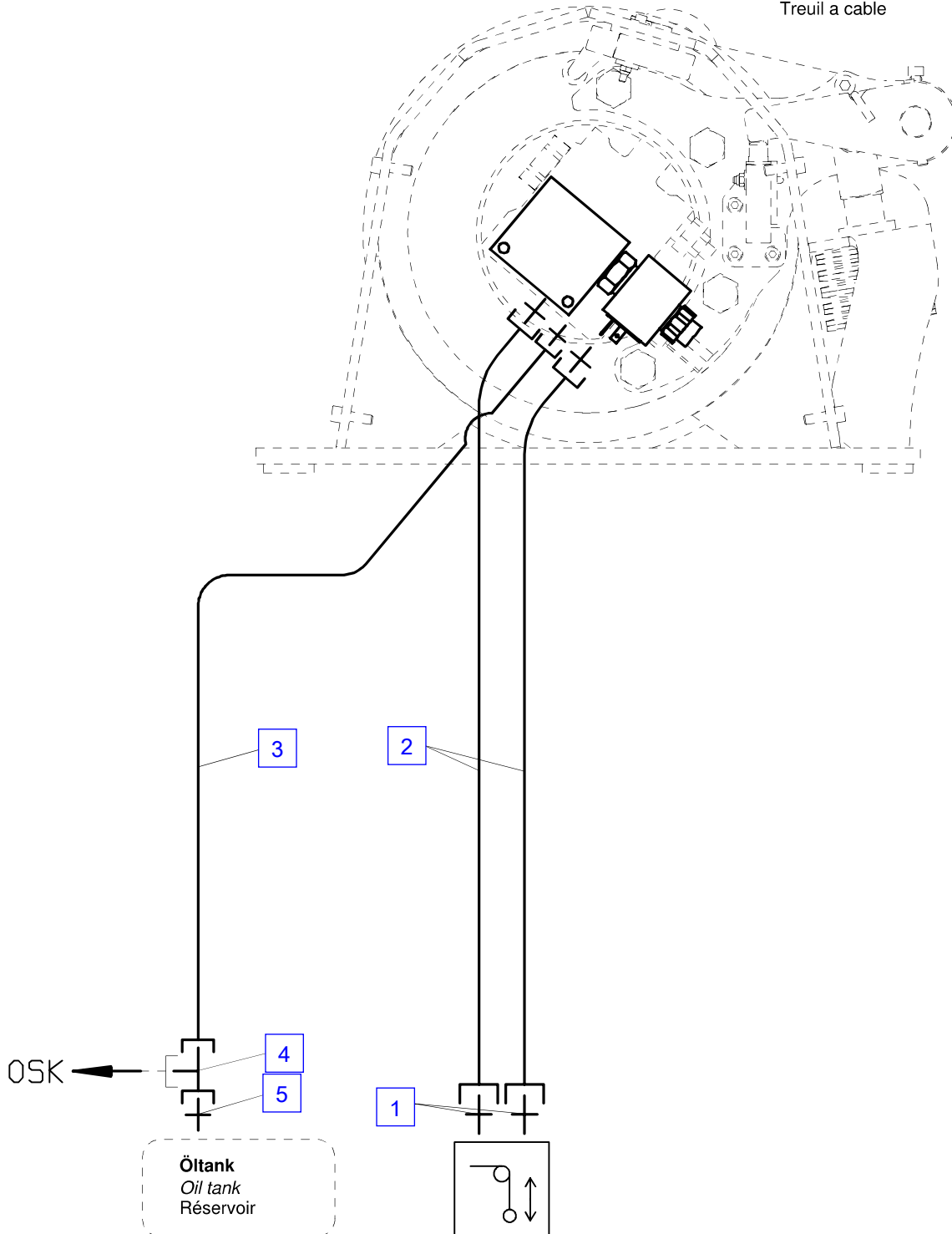
Ersatzteile siehe KBW005A

Spare parts look KBW005A

Pieces de rechange voir KBW005A

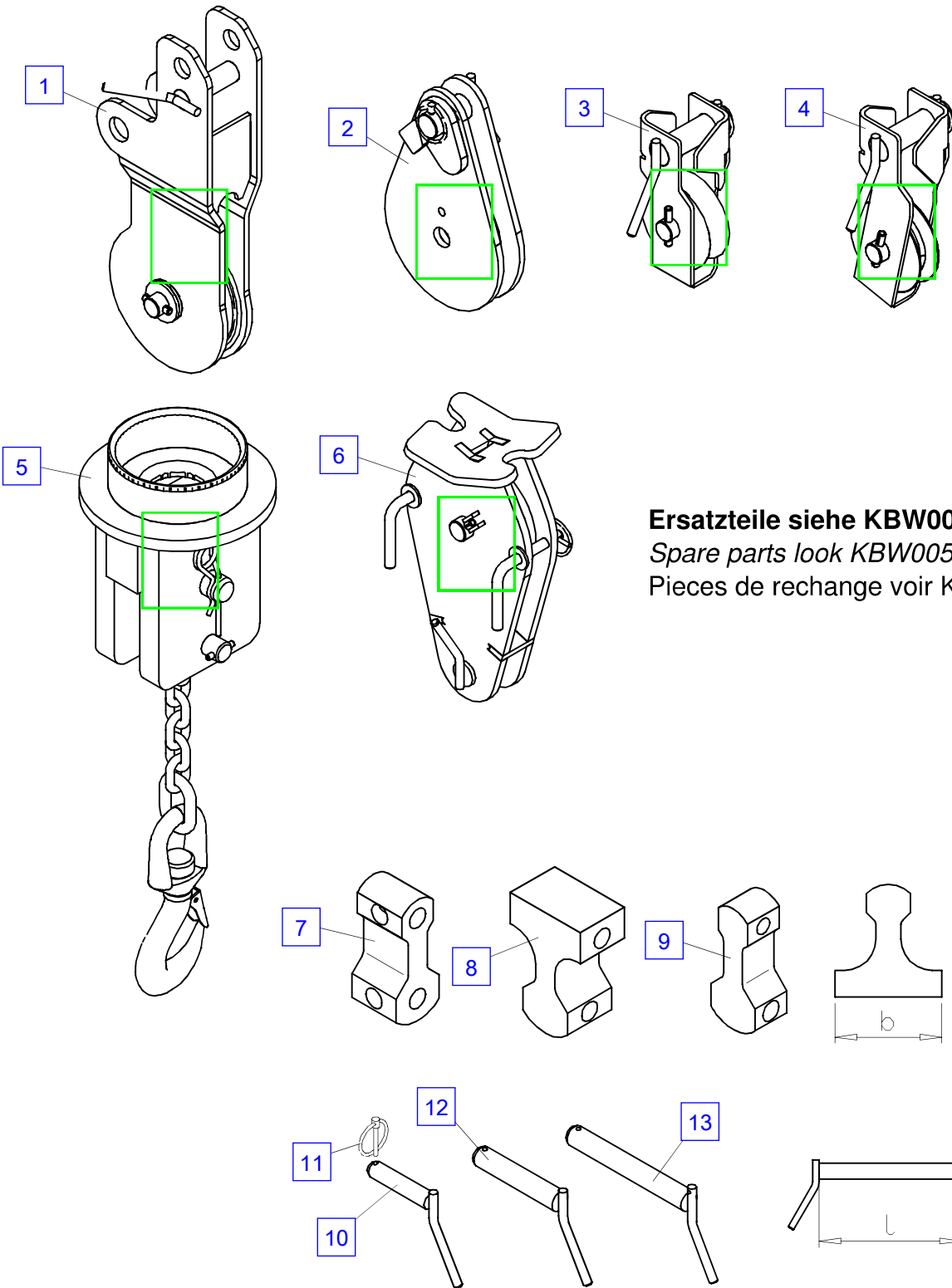
S - SES

Seilwinde
Rope winch
Treuil a cable



Guide pulley,trolley head

No.	Spare part	Qty.	Description	Dimension
1	KUR001-BA	1	Pulley head, cpl.	
2	KUR002-BA	1	Pulley head, cpl.	
3	KUR003-BA	1	Inside pulley	Dseil 12
4	KUR004-BA	1	Reversing pulley, cpl.	
5	UL056A	1	Load attachment, cpl.	
6	UL085	1	Hook block cpl.	Dseil 08
7	HHK 051	1	Fastening clip	b=70 mm
8	HHK 326	1	Fastening clip	b=110 mm
9	HHK 341	1	Fastening clip	b=50 mm
10	HI 042	1	Pin	l=92 mm
11	EQ 042	1	Bolt retainer	D 5,0 DIN 11023 - 05x042 - ST
12	HIS 061	1	Pin	l=128 mm
13	HIS 073A	1	Pin	l=188 mm



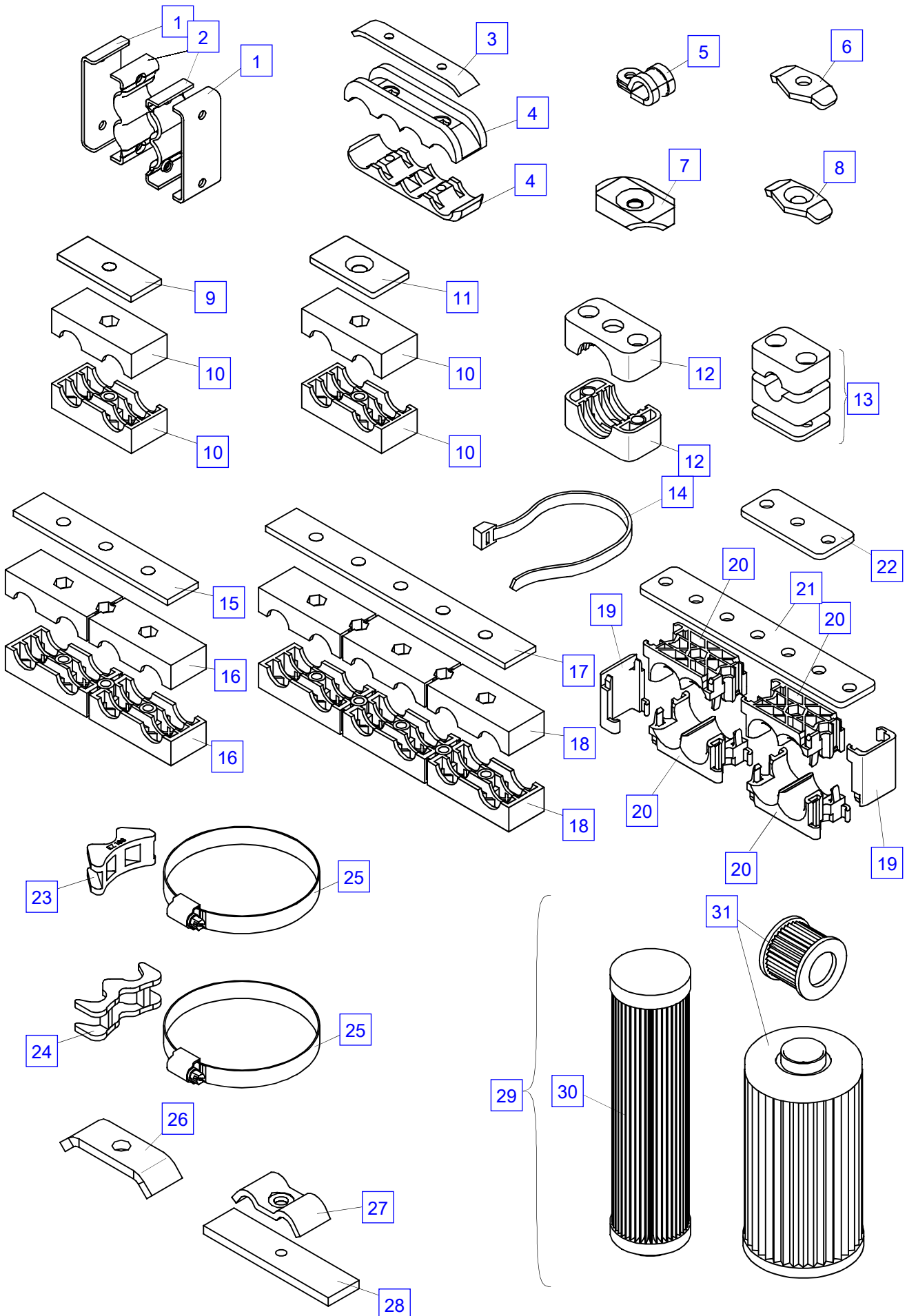
Ersatzteile siehe KBW005A

Spare parts look KBW005A

Pieces de rechange voir KBW005A

Miscellaneous

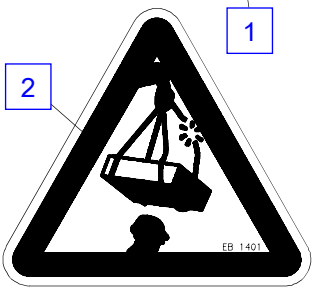
No.	Spare part	Qty.	Description	Dimension
1	HA3041	0	Clip	L0076.3xB0030xS002
2	HA3022	0	Clip	
3	HTR 810	0	Plate	L0093.0xB0015.0xS0003.3
4	EZ 124	0	Hose clip	D 17x4
5	EK 216	0	Pipe clip	D 10
5	EK 217	0	Pipe clip	D 20
5	EK 221	0	Pipe clip	D 12
5	EK 256	0	Pipe clip	D 16
5	EK 351	0	Pipe clip	D 14
5	EK 352	0	Pipe clip	D 8
6	HX 007	0	Pipe clip	
7	HX 611	0	Clip	L0058.2xB0039.1 xS003.0
8	HX 416	0	Pipe clip	
9	HX 335	0	Stiffening plate	
10	EZ 257	0	Hose clip	D 19-22
10	EZ 259	0	Hose clip	D 15-18
11	HX 599	0	Plate	
12	EZ 502	0	Hose clip	D 28
13	EZ 306	0	Pipe clip	D 14
14	EK 084	0	Mounting band	l=360x7.5
14	EK 085	0	Cable tie	l=370x7,6
14	EK 165	0	Cable tie	l=215x4.8
15	HX 337	0	Stiffening plate	L0126xB0025xS004
16	EZ 256	0	Hose clip	D 19-21
16	EZ 258	0	Hose clip	D 15-18
17	HX 336	0	Stiffening plate	S0004 B0025 L0195
18	EZ 186	0	Hose clip	D 19-21
18	EZ 223	0	Hose clip	D 15-18
19	EZ1718	0	Stop plate	
20	EZ1589	0	Hose clip	NW 10
21	HX 965	0	Fastening plate	L0166.0 B0030 S0004
22	HX 963	0	Fastening plate	L0066xB0030xS004
23	EZ 188	0	Pipe clip	
24	EZ 272	0	Pipe clip	
25	EQ 007	0	Hose clamp	D 110-130
25	EQ 020	0	Hose clamp	D 130-150
25	EQ 091	0	Hose clamp	D 150-170
25	EQ 099	0	Circlip	D 90-110
25	EQ 103	0	Hose clamp	D170-190
25	EQ 107	0	Hose clamp	D 70-90
25	EQ 271	0	Hose clamp	D180-200
25	EQ 276	0	Hose clamp	D280-320
25	EQ 302	0	Hose clamp	D230-250
26	HX 058	0	Pipe clip	L0076xB0025xS006
27	HX 448	0	Pipe clip	L0070xB0025xS004
28	HTR1231	0	Plate	L0102xB0025xS006
29	BZ204S	1	Filter element, cpl.	
30	EA1392	1	Filter element	
31	EA1412	1	Filter element	80 l/min



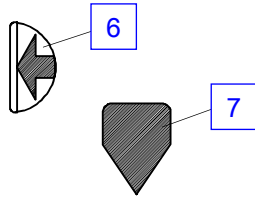
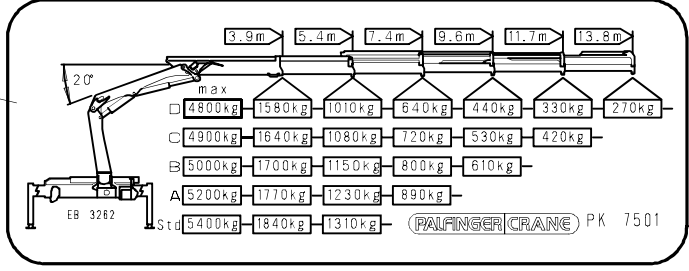
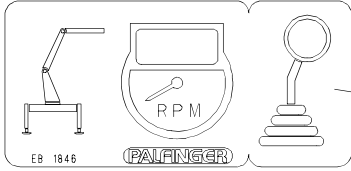
Decals

No.	Spare part	Qty.	Description	Dimension
1	EB7986	2	Company decal -Palfinger	930x117 mm
2	EB1401	2	Danger sign	h=153 mm
3	EB3682	2	Company decal	
4	EB3262	2	Capacity diagram	PK 7501
5	EB1846	1	Decal	
6	EB1826	2	Symbol sign	
7	EB1279	2	Folding arrow	
8	EB4589	2	Company decal	
9	EB4590	2	Capacity diagram	PK 8501
10	EB1115	1	Sign	
11	EB1018	2	Sign	
12	EB 754	1	Decal	
15	EB4182	1	Decal	
16	EB4636	1	Symbol sign	

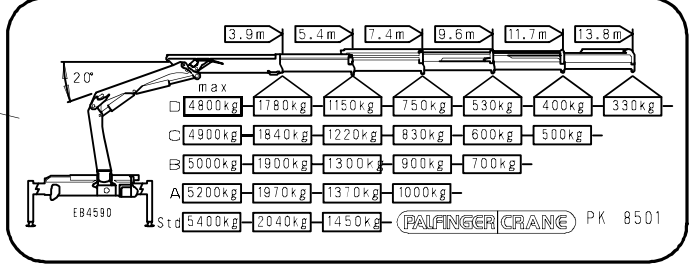
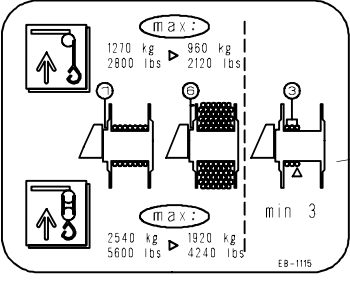
PALFINGER CRANE



PK 7501
Performance



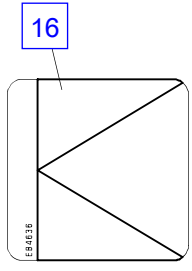
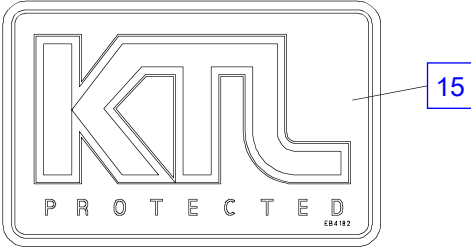
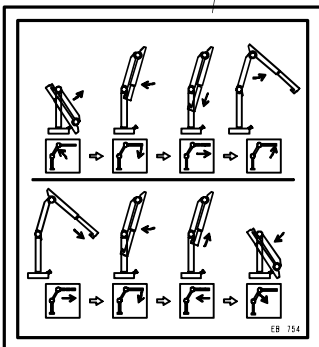
PK 8501
Performance



max. 1200 kg

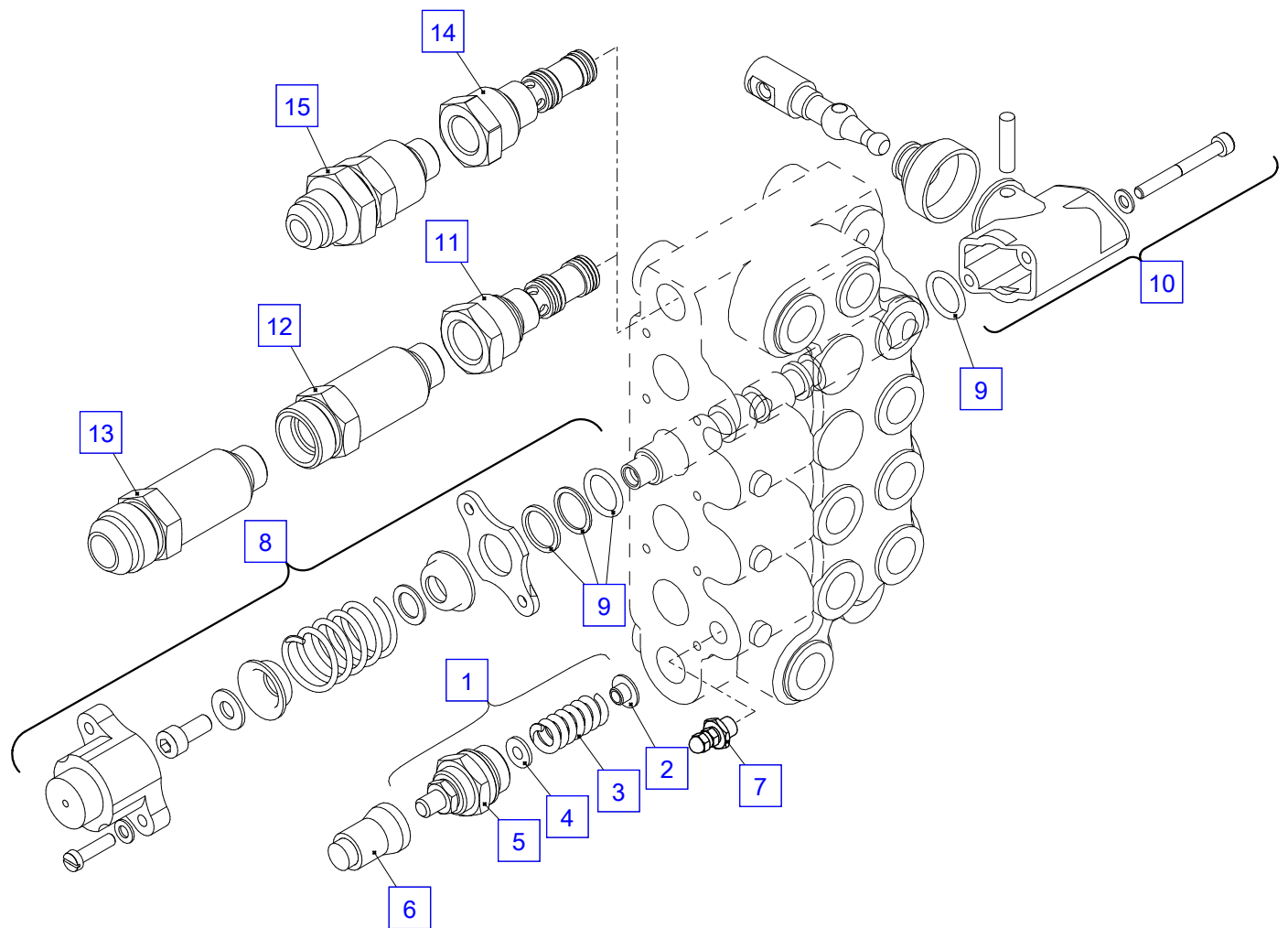


11 12



Control valve VDM07

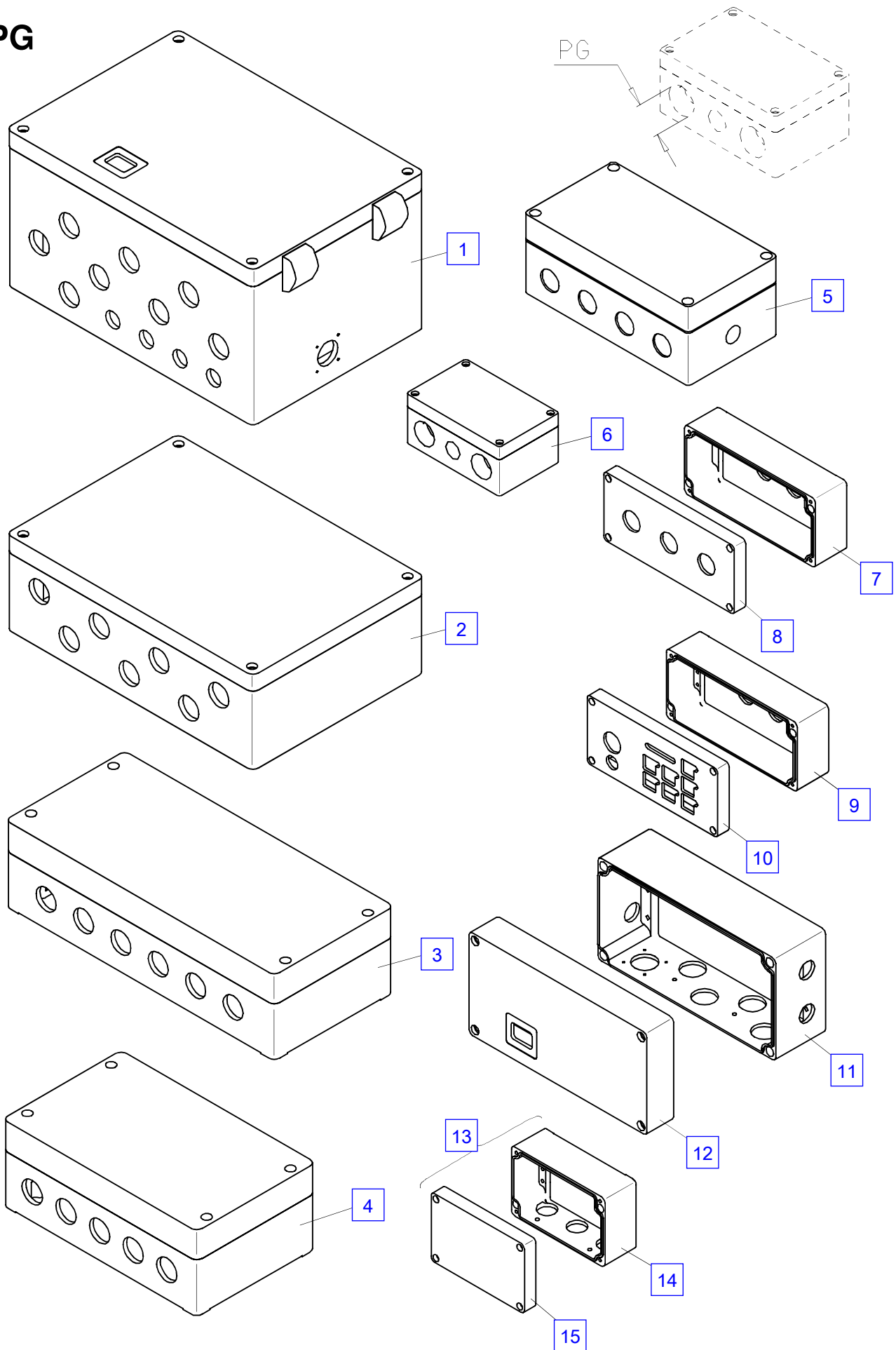
No.	Spare part	Qty.	Description	Dimension
1	EV 990	1	Main relief valve, cpl.	
2	EK 279	1	Bushing	
3	EF 077	1	Pressure spring	
4	EK 278	1	Washer	
5	EV 989	1	Valve housing	
6	EK 715A	1	Sealing cap	
7	EV5719A	1	Port relief valve	30-70 bar
	EK4283	1	Cape, blue	
8	EZ9426	1	Spring housing, cpl. (sans montage en opposition)	
8	EZ2148	1	Spring housing, cpl. (avec montage en opposition)	
9	TD1605	1	Seal kit	
10	EZ2146	1	Lever support, cpl.	
11	EV1778	1	High pressure carry over port	M 18x1,5 - M 18x1,5
12	UV148A	1	Check valve	M 18x1.5
13	EV2083	1	Check valve Type JI	M18x1.5
14	EV1021	1	High pressure carry over port	M 18x1.5 - 3/8"
15	UV301JI	1	Check valve Type JI	3/8"



Housing - PG

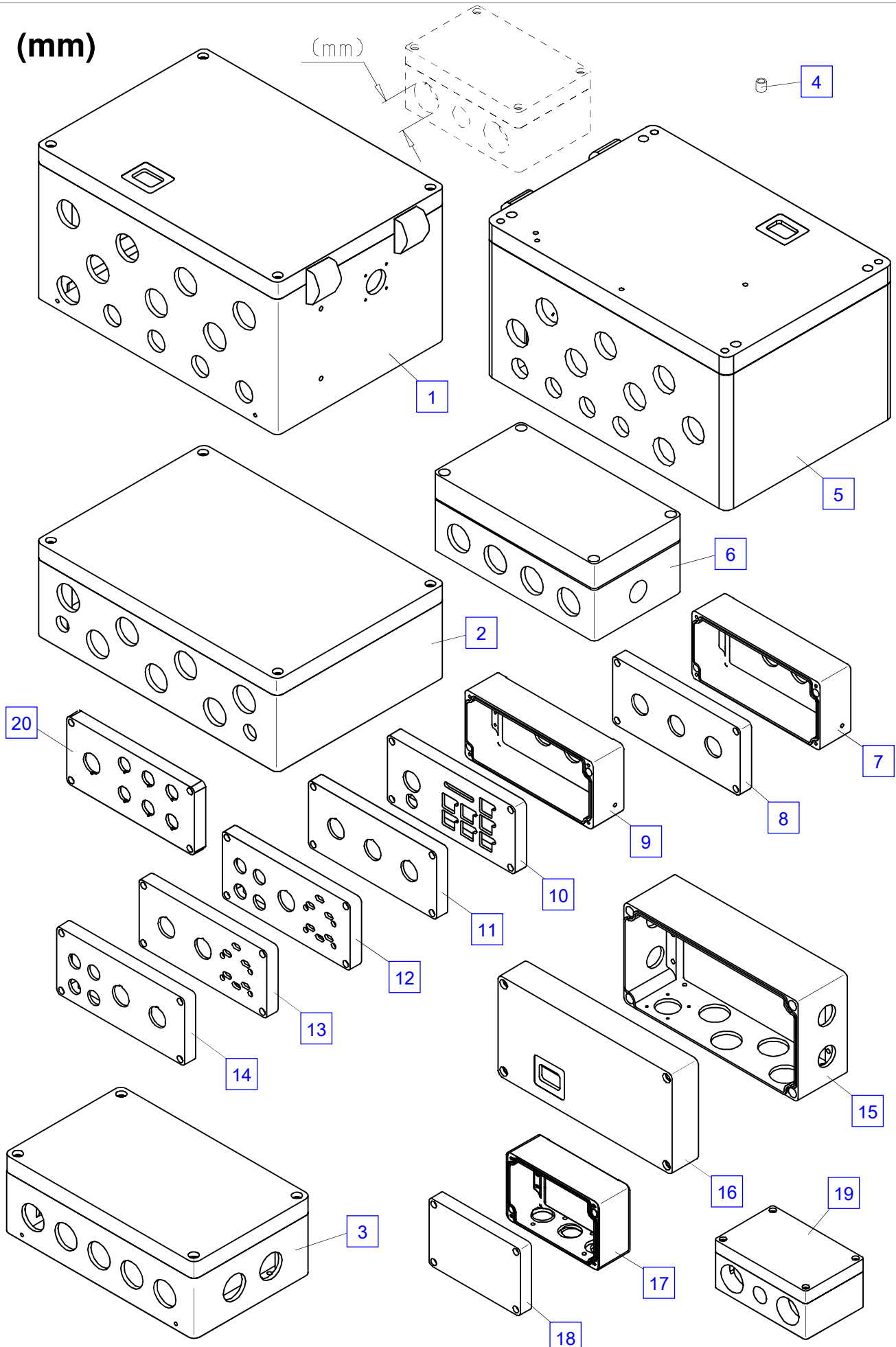
No.	Spare part	Qty.	Description	Dimension
1	EEA2842	1	Connection box	330x230x180
2	EEA 788	1	Connection box	330x230x110
3	HEEA 200	1	Connection box	360x160x90
4	EEA2695	1	Connection box	260x160x100
5	EEA1691	1	Connection box	220x120x91
6	EEA 928	1	Connection box	125x80x57
7	EEA2891	1	Base	
8	EEA2892	1	Cover (PVC)	175x80x15
9	EEA2707	1	Base	PG13.5
10	EEA2706	1	Cover	
11	EEA2703	1	Base	
12	EEA2702	1	Cover	
13	EEA1695	1	Connection box	125x80x57
14	EEA2705	1	Base	
15	EEA2704	1	Cover	

PG



Housing - (mm) 1

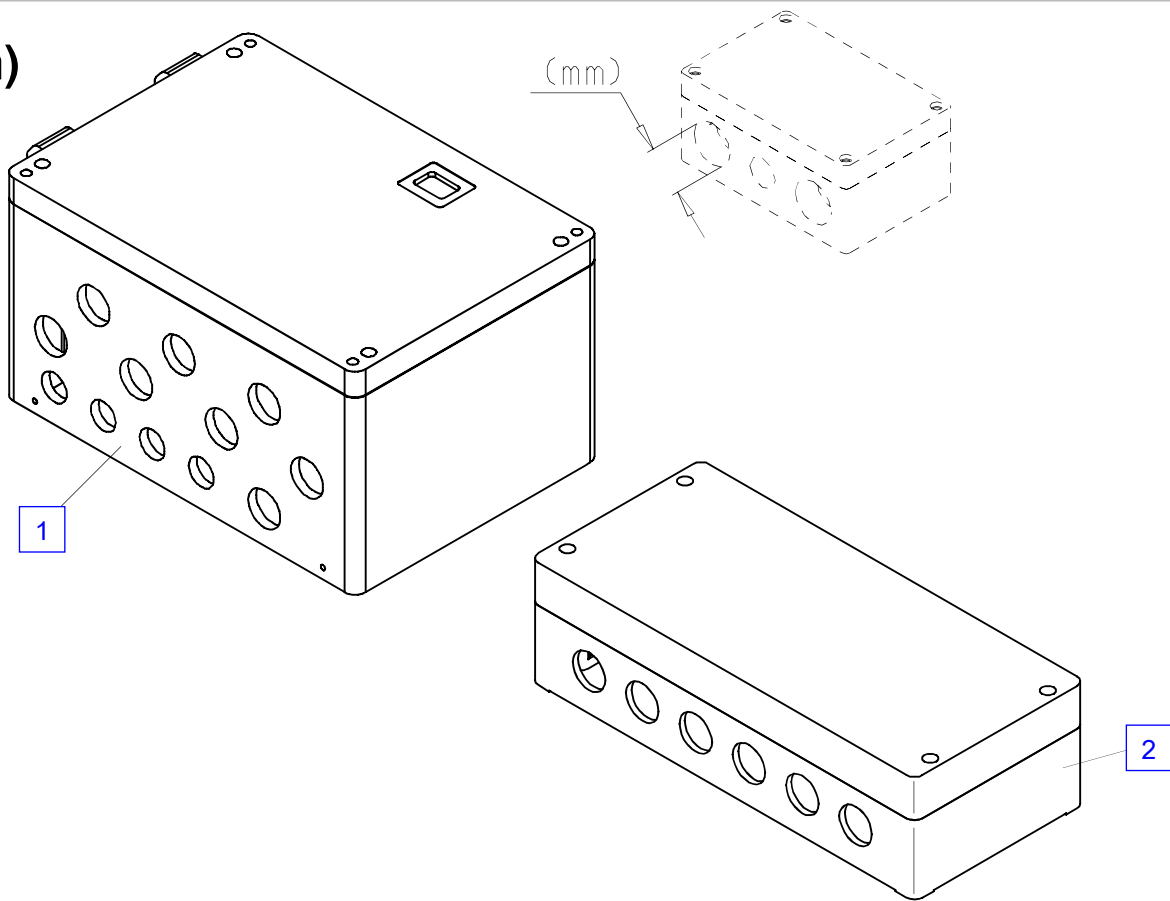
No.	Spare part	Qty.	Description	Dimension
1	EEA3696	1	Connection box 4xM 25x1.5+8xM 32x1.5	330x230x180 mm
	ED2131	1	Sealing profile	
2	EEA3686	1	Connection box 7xM 20x1.5+9xM 32x1.5	330x230x110 mm
	ES3569	4	Screw	M 6x35 ISO4762
	ES3567	4	Screw	M 6x25 ISO4762
	ES3568	4	Screw	M 6x30 ISO4762
3	EEA3687	1	Connection box	260x160x100
	ES3569	4	Screw	M 6x35 ISO4762
	ES3567	4	Screw	M 6x25 ISO4762
	ES3568	4	Screw	M 6x30 ISO4762
4	EEA2887	4	Spacer (NK)	l=10 mm
5	EEA3547	1	Connection box 4xM 25x1.5+8xM 32x1.5	330x230x180 mm
6	EEA3693	1	Connection box 1xM 25x1.5+4xM 32x1.5	220x120x91 mm
7	EEA3691	1	Base (PVC) (PVC)	175x80x43.5
8	EEA2892	1	Cover (PVC)	175x80x15
9	EEA3689	1	Base	175x80x43.5
10	EEA2706	1	Cover	
11	EEA4143	1	Cover	
12	EEA4700	1	Cover	
13	EEA4701	1	Cover	
14	EEA4702	1	Cover	
15	EEA3692	1	Base	238x119x68.8
16	EEA2702	1	Cover	
17	EEA3690	1	Base	
18	EEA2704	1	Cover	
19	EEA3685	1	Connection box	125x80x57 mm
19	EEA5473	1	Connection box 4xM 25x1.5+2xM 32x1.5	140x140x92 mm
20	EEA 163	1	Cover	175x80x15



Housing - (mm) 2

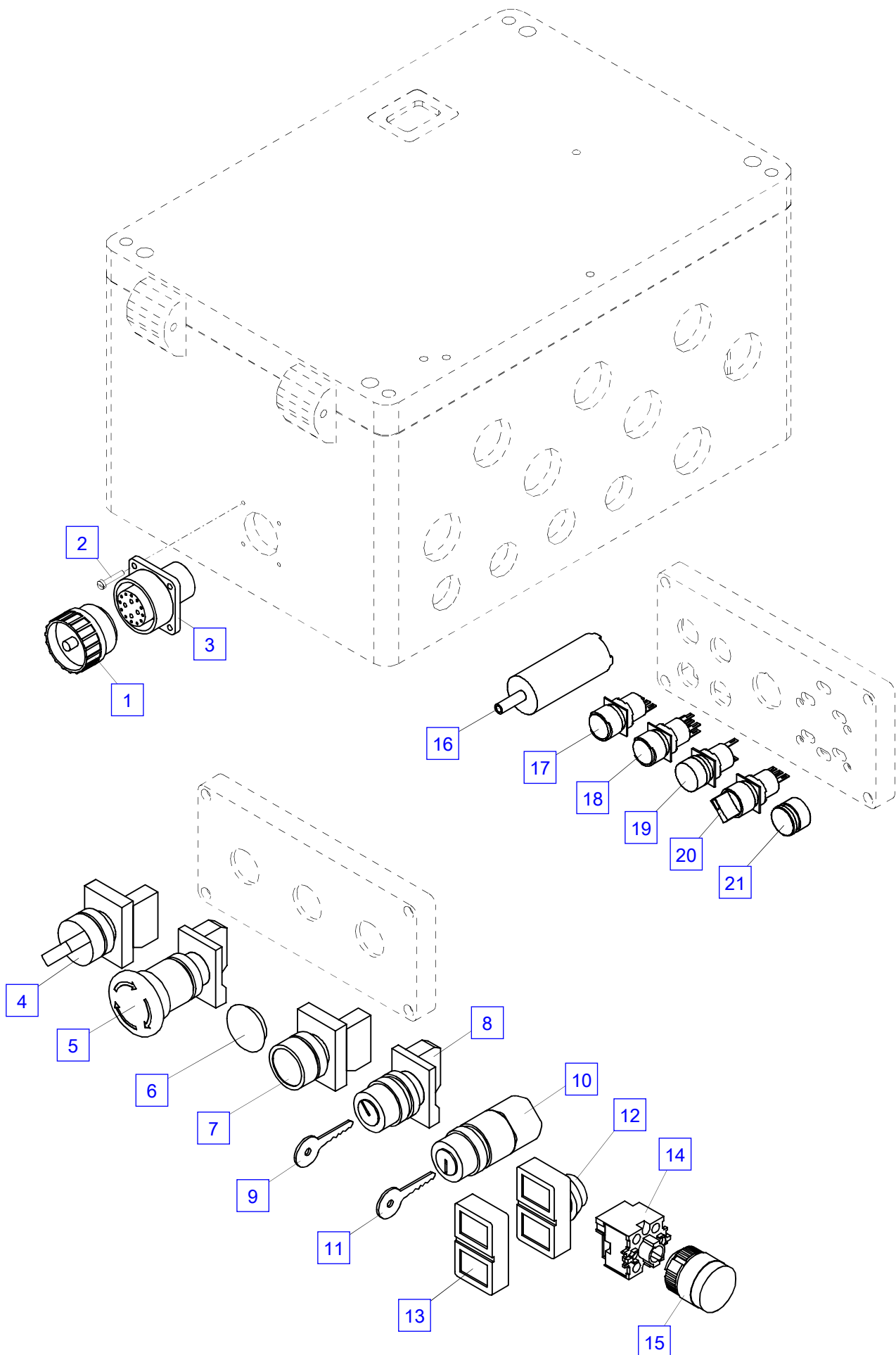
No.	Spare part	Qty.	Description	Dimension
1	EEA4244	1	Connection box 4xM 25x1.5+10xM 32x1.5	330x230x180 mm
	ES3569	4	Screw	M 6x35 ISO4762
	ES3567	4	Screw	M 6x25 ISO4762
	ES3568	4	Screw	M 6x30 ISO4762
2	EEA3688	1	Connection box 2xM 25x1.5+6xM 32x1.5	360x160x90 mm
	ES3567	4	Screw	M 6x25 ISO4762
	ES3568	4	Screw	M 6x30 ISO4762
	ES3569	4	Screw	M 6x35 ISO4762

(mm)



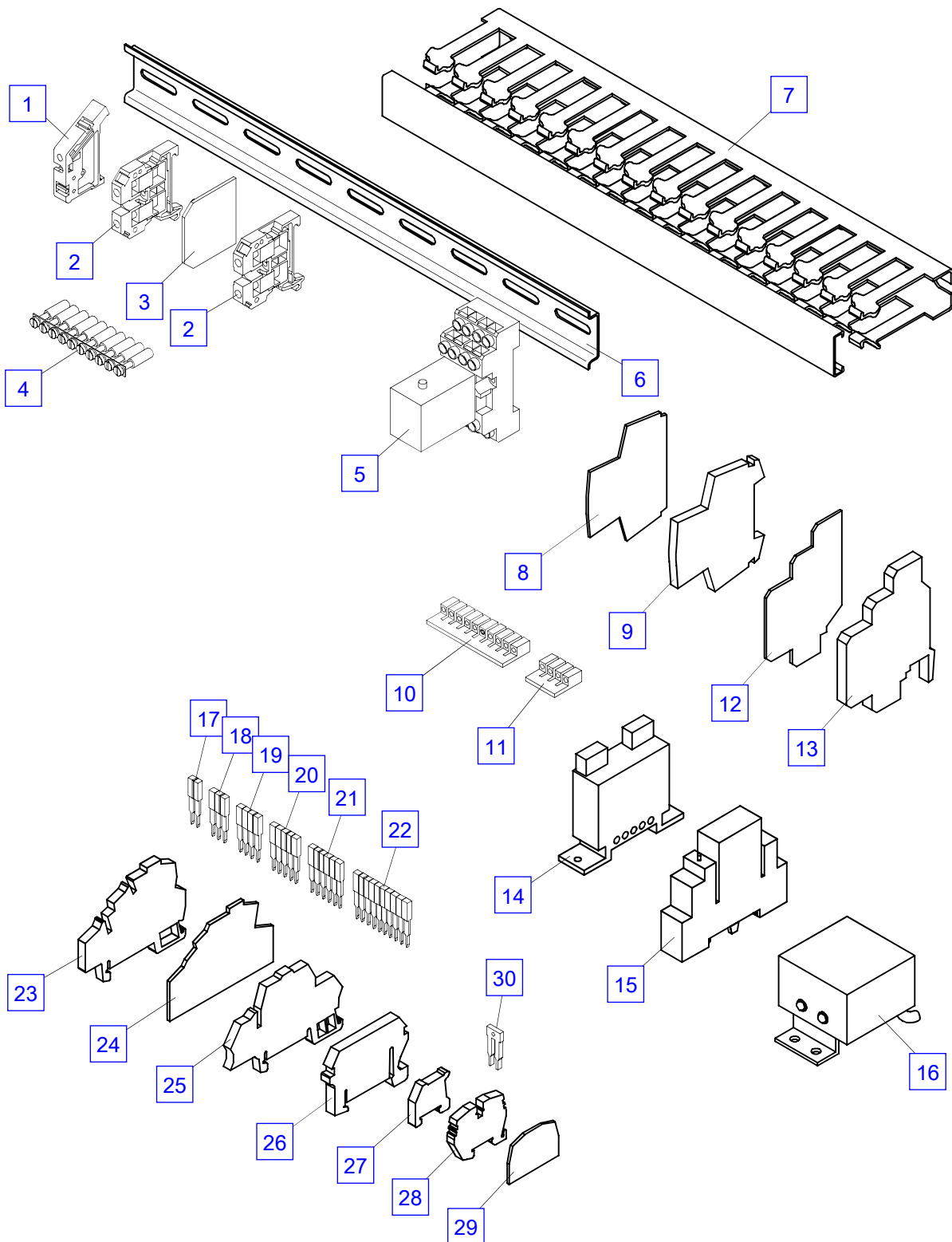
Switch

No.	Spare part	Qty.	Description	Dimension
1	EK 370	1	Protecting cap 14+PE	C16-3
2	ES 412	4	Screw	M 3x16 DIN 84
3	EEA 599	1	Plug box 14+PE	C16-3
	EEA5498	1	Contact	C16-3 0.5-1.5 mm ²
	EEA5500	1	Contact	C16-3 0.75-1 mm ²
	EEA 602	1	Contact	C16-3
	EEA 605	1	Contact	C16-3
4	EEA3008	1	Switch, black	
5	EEA2998	1	Emergency cut-off button	
6	EEA3001	1	Blind plug	
7	EEA2999	1	Button cpl. (normally open)	
	EEA5000	1	LED-module (green) without bearing	12V
	EEA5001	1	LED-module (red) without bearing	12V
	EEA5002	1	LED-module (yellow) without bearing	12V
	EEA5003	1	LED-module (blue) without bearing	12V
	EEA4183	1	Contact (normally open)	
	EEA3571	1	Protecting cap	
8	EEA3000	1	Key switch (2-positions) (2 positions)	
9	EEA3156	1	Key for EEA3000	RONIS 455
10	EEA3002	1	Key switch (3-positions) (3 positions)	
11	EEA3157	1	Key for EEA3002	RONIS 601
12	EEA3777	1	Switch	
13	EEA3778	1	Protecting cap	
14	EEA3268	2	Contact (normally open)	
15	EEA3311	2	Front element	
16	EEA4729	1	Installation Key	
17	EEA4722	1	Push button, black	
18	EEA4723	1	Push button, green	
18	EEA4725	1	Push button, green withLED	
19	EEA4724	1	Alarm lamp, green	
20	EEA4728	1	Switch	
21	EEA5041	1	Blind plug	



Electrical parts

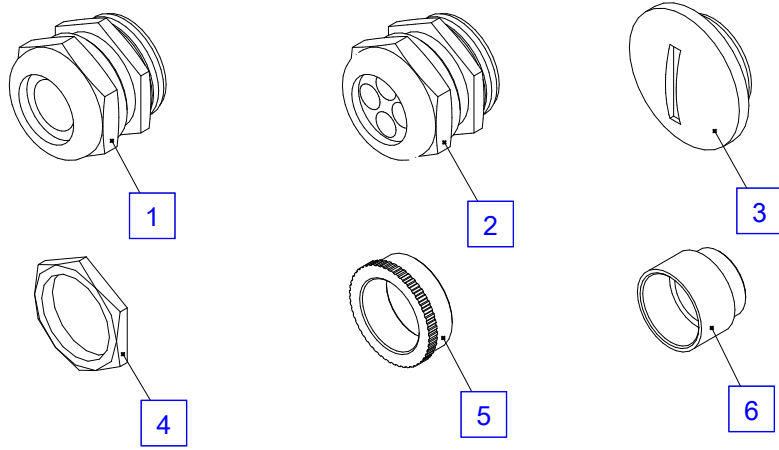
No.	Spare part	Qty.	Description	Dimension
1	EEA 195	0	End terminal	
2	EEA 234	0	Line-up terminal	SAKD 2.5/035
3	EEA 516	0	Plate	
4	EEA 594	0	Cross connection	10-fach
5	EE 102	0	Relay	24V 7A
5	EE 105	0	Relay	12V 7A
6	EEA 219	0	Bearing rail Metered good	
7	EEA 241	0	Cable duct Metered good	h=60 mm b=25 mm
8	EEA3075	0	Stop plate	WAP/WDK 2.5
9	EEA3074	0	Line-up terminal	WDK 2.5
9	EEA4071	0	Line-up terminal	WDK 2.5 LD
10	EEA3073	0	Cross connection	WQV 2.5/10
11	EEA3076	0	Cross connection	WQV 2,5/4
12	EEA3972	0	Stop plate	12V
13	EEA4971	0	Relay	12V 6A
13	EEA4972	0	Relay	24V 6A
13	EEA4255	0	Relay	12V 6A
13	EEA3971	0	Relay	24V 6A
14	EEA5060	1	Time lag relay	8...32Vdc
15	EE 101	0	Relay	24V 12A
15	EE 104	0	Relay	12V 12A
15	EE 127	0	Relay (2-de poles)	24V 8A
15	EE 128	0	Relay (2-de poles)	12V 8A
15	EEA1456	0	Relay Workman basket	24V 4A
15	EEA1812	0	Relay	24V 16A
15	EEA2419	0	Relay	12V 16A
15	EEA4088	0	Relay - gold kontakt	24V 6A
15	EEA4089	0	Relay - gold kontakt	12V 6A
16	EE 020	1	Relay	12V 20A
16	EE 024	1	Relay	24V 10A
17	EEA4552	1	Cross connection (2-sections)	ZDK 27.6 mm
18	EEA4553	1	Cross connection (3-sections)	ZDK 27.6 mm
19	EEA4554	1	Cross connection (4-sections)	ZDK 27.6 mm
20	EEA4555	1	Cross connection (5-sections)	ZDK 27.6 mm
21	EEA4556	1	Cross connection (6-sections)	ZDK 27.6 mm
22	EEA4557	1	Cross connection (10-sections)	ZDK 27.6 mm
23	EEA4550	1	Line-up terminal	ZDK max. 2.5 ²
24	EEA4551	1	Stop plate	ZDK 27.6 mm
25	EEA4559	1	Line-up terminal LED withLED	ZDK max. 2.5 ²
26	EEA4558	1	End terminal	ZDK
27	EEA4547	1	End terminal	ZDK
28	EEA4543	1	Line-up terminal	ZDK max. 2.5 ²
29	EEA4546	1	Connection plate	ZDK
30	EEA4548	1	Cross connection (2-sections)	ZDK 23 mm



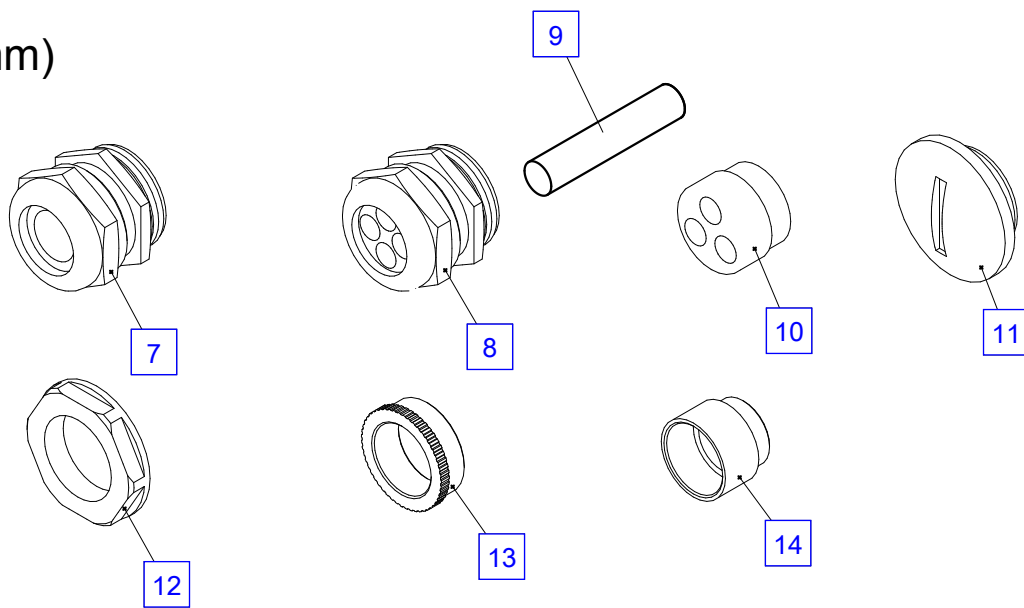
Fitting

No.	Spare part	Qty.	Description	Dimension
1	EEA 508	1	Fitting	PG 9
1	EEA 509	1	Fitting	PG 11
1	EEA 510	1	Fitting	PG 13.5
1	EEA 511	1	Pressure connection	
1	EEA 512	1	Pressure connection	PG 21
2	EEA 513	1	Pressure connection	PG 31 4x6
2	EEA1754	1	Fitting	PG 13.5 4x4 mm
3	EEA 279	1	Blind plug	PG 13,5
3	EEA 280	1	Blind plug	PG 16
3	EEA 281	1	Blind plug	PG 21
4	EEA1473	1	Counter nut	
4	EEA1474	1	Counter nut	
4	EEA1475	1	Counter nut	
5	EEA 262	1	Reduction	PG 21/16
5	EEA 285	1	Reduction	PG 13.5/11
6	EEA 291	1	Extension	PG 11-13.5
6	EEA 293	1	Extension	PG 16-21
6	EEA 294	1	Extension	PG 21-29
7	EEA3703	1	Fitting	M 25x1.5 (1x7-17 mm)
7	EEA3704	1	Fitting	M 32x1.5 (1x13-21 mm)
7	EEA3705	1	Fitting	M20x1.5 (1x4-13 mm)
8	EEA3706	1	Fitting	M 32x1.5 (4x5-7 mm)
8	EEA3707	1	Fitting	M 32x1.5 (2x8-10 mm)
8	EEA3708	1	Fitting	M 25x1.5 (4x4-6 mm)
8	EEA3709	1	Fitting	M 25x1.5 (3x5-7 mm)
9	EEA11601	1	Pin	D=5x25 mm
9	EEA11602	1	Pin	D=6x25 mm
9	EEA11603	1	Pin	D=7x25 mm
9	EEA11604	1	Pin	D=8x20 mm
9	EEA11605	1	Pin	D=9x20 mm
10	EEA3710	1	Cartridge	M 32x1.5 (3x6-8 mm)
11	EEA3711	1	Blind plug	M 25x1.5
11	EEA3712	1	Blind plug	M 32x1.5
11	EEA3727	1	Blind plug	M 20x1.5
12	EEA3713	1	Counter nut	M 25x1.5
12	EEA3714	1	Counter nut	M20x1.5
12	EEA3725	1	Counter nut	M 32x1.5
13	EEA3715	1	Reduction	M 32x1.5 - M 25x1.5
13	EEA3726	1	Reduction	M 25x1.5 - M 20x1.5
14	EEA3716	1	Extension	M 25x1.5 - M 32x1.5
14	EEA3728	1	Extension	M 20x1.5 - M 25x1.5

PG



(mm)



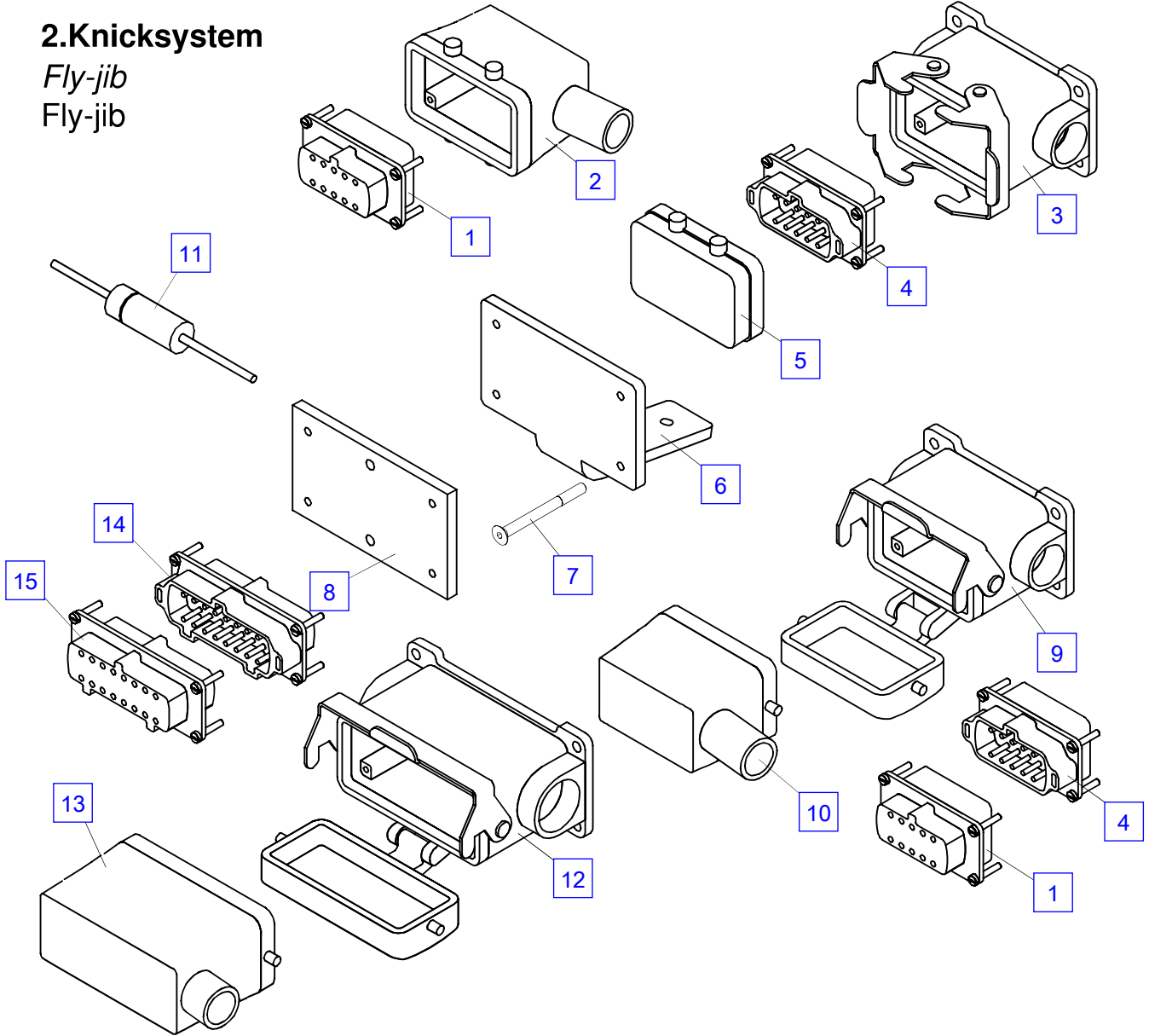
Plug - auxiliary equipment

No.	Spare part	Qty.	Description	Dimension
1	EEA1666	1	Female insert (10-pole)	
2	EEA1663	1	Plug case	
3	EEA1664	1	Base case	
4	EEA1665	1	Plug insert (10-pole)	
5	EEA1667	1	Protecting cap	
6	HA6721	1	Bearer	
7	ES 954	4	Screw	M 5x55 DIN 7991
8	HTR3506	1	Fastening plate	
9	EEA3898	1	Base case (10-pole)	M 20x1.5
10	EEA4111	1	Plug case (10-pole)	M 20x1.5
11	EEA2538	1	Resistor	2200 OHM
11	EEA3069	1	Resistor PJ (Version 2.6)	12,7 kΩ / 24V
11	EEA3070	1	Resistor PJ (Version 2.6)	6,2 kΩ / 12V
12	EEA5024	1	Base case (16+40-pole)	M 25x1.5
12	EEA5796	1	Base case (24-pole)	M 32x1.5
13	EEA5025	1	Plug case (16+40-pole)	M 25x1.5
13	EEA5797	1	Plug case (24-pole)	M 32x1.5
14	EEA5026	1	Plug insert (16-pole)	
14	EEA5798	1	Plug insert (24-pole)	
15	EEA5027	1	Female insert (16-pole)	
15	EEA5799	1	Bush insert (24-pole)	
16	EEA3815	1	Plug case	
16	EEA4952	1	Base case (6-pole)	M 20x1.5
17	EEA3816	1	Plug case	
17	EEA4953	1	Plug case (6-pole)	M 25x1.5
18	EEA3817	1	Plug insert (6-pole)	
19	EEA3818	1	Bush insert (6-pole)	
20	HT6038	1	Fastening plate	

2.Knicksystem

Fly-jib

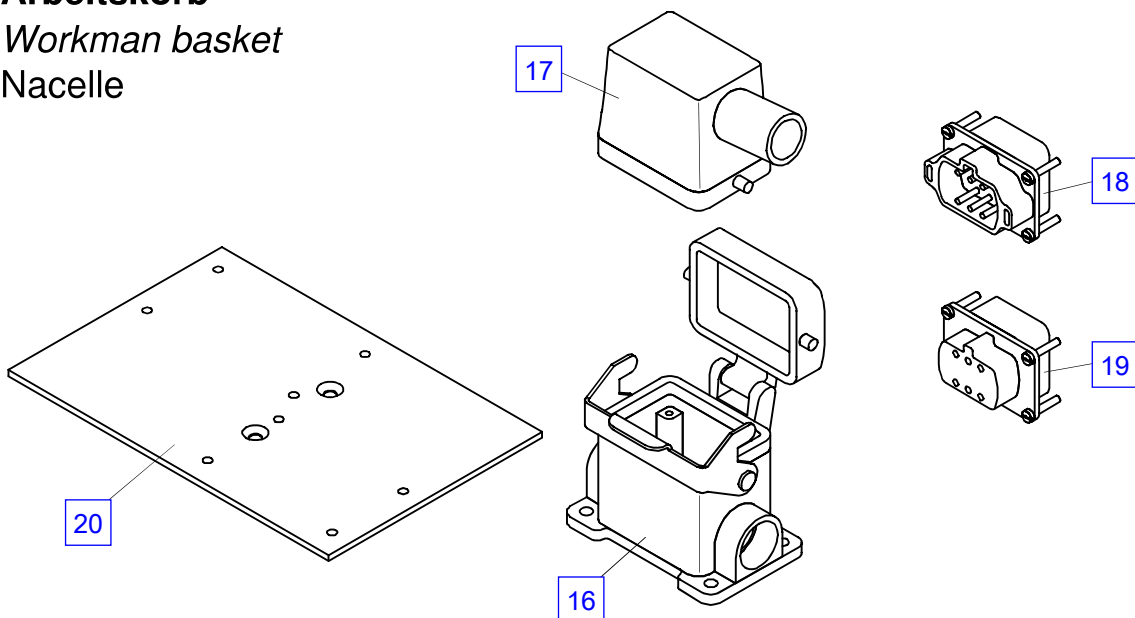
Fly-jib



Arbeitskorb

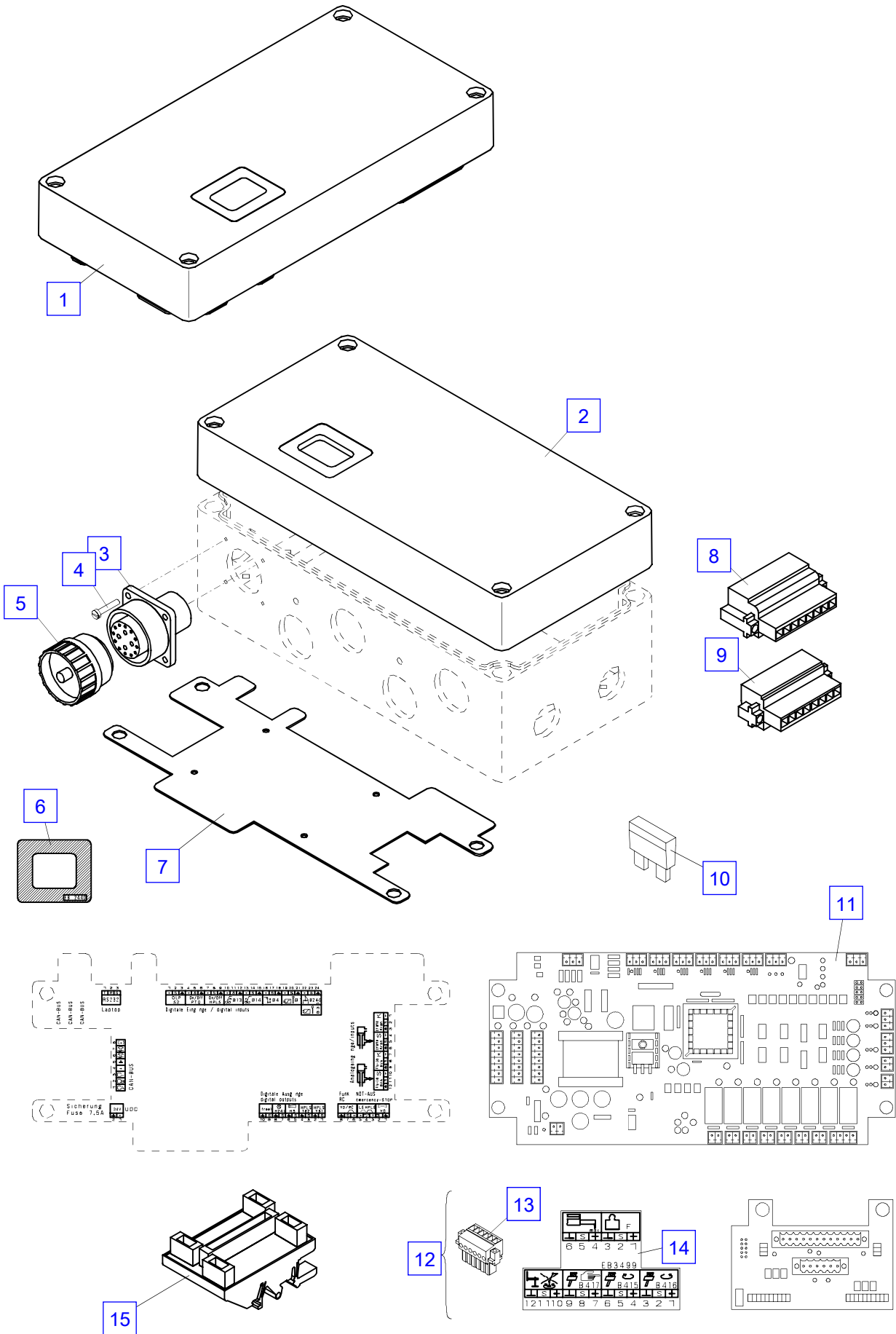
Workman basket

Nacelle



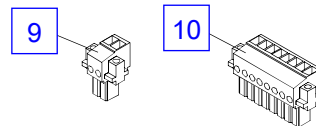
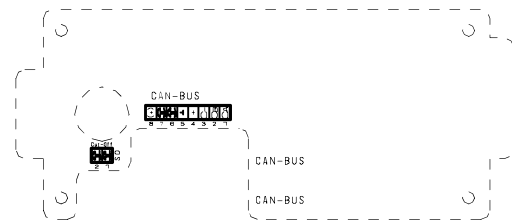
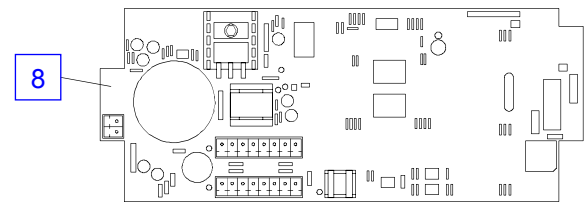
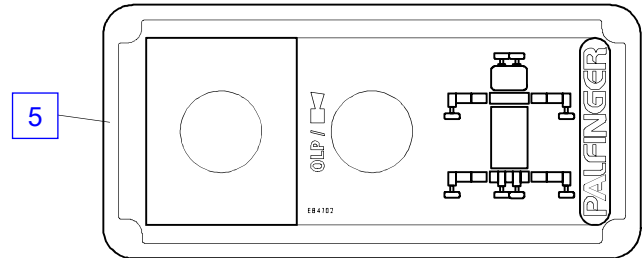
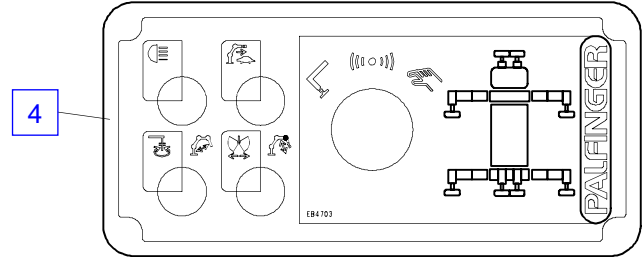
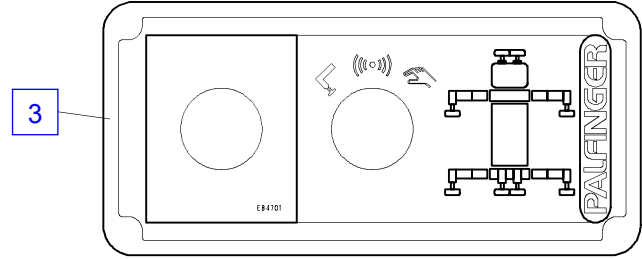
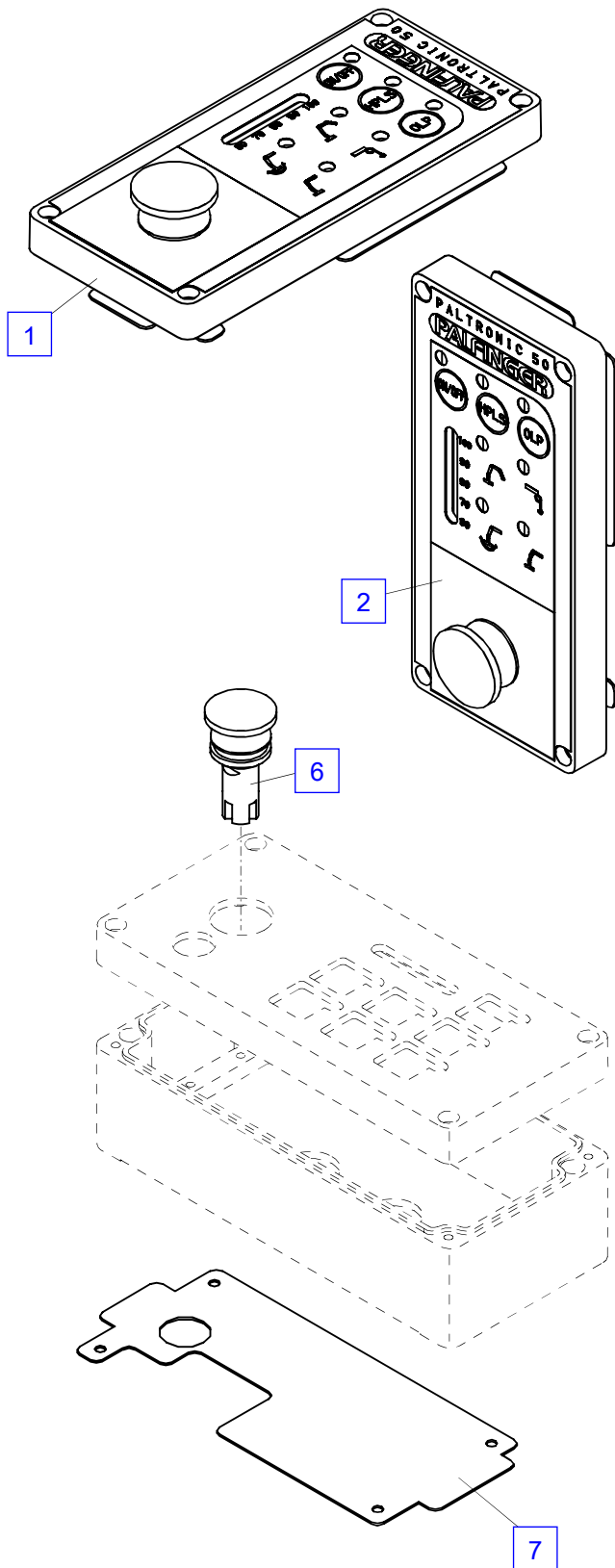
Basic element

No.	Spare part	Qty.	Description	Dimension
1	EEA4054	1	Basic element	Version 3.0
1	EEA4575	1	Basic element cplt.	Version 4.0
2	EEA2702	1	Cover	
3	EEA 599	1	Plug box 14+PE	C16-3
	EEA5498	1	Contact	C16-3 0.5-1.5 mm ²
	EEA5500	1	Contact	C16-3 0.75-1 mm ²
	EEA 602	1	Contact	C16-3
	EEA 605	1	Contact	C16-3
4	ES 412	4	Screw	M 3x16 DIN 84
5	EK 370	1	Protecting cap 14+PE	C16-3
6	EB2440	1	Decal	
7	HT1009	1	Cover plate	
8	EEA4591	1	Female strip (2-sections)	Typ BLZF
8	EEA4592	1	Female strip (3-sections)	Typ BLZF
8	EEA4597	1	Female strip (24-sections)	Typ BLZF
8	EEA5034	1	Female strip (4-sections)	Typ BLZF
8	EEA4948	1	Female strip (5-sections)	Typ BLZF
8	EEA4593	1	Female strip (6-sections)	Typ BLZF
8	EEA4594	1	Female strip (8-sections)	Typ BLZF
8	EEA4947	1	Female strip (9-sections)	Typ BLZF
8	EEA4595	1	Female strip (10-sections)	Typ BLZF
8	EEA4596	1	Female strip (12-sections)	Typ BLZF
8	EEA5705	1	Wire plug (15-sections)	Typ BLZF
9	EEA2603	1	Wire plug (2-sections)	Typ BL
9	EEA2698	1	Wire plug (3-sections)	Typ BL
9	EEA1720	1	Wire plug (4-sections)	Typ BL
9	EEA3087	1	Wire plug (6-sections)	Typ BL
9	EEA2604	1	Wire plug (8-sections)	Typ BL
9	EEA2605	1	Female strip (10-sections)	Typ BL
9	EEA2606	1	Wire plug (12-sections)	Typ BL
9	EEA2607	1	Wire plug (24-sections)	Typ BL
10	EEA4577	1	Fuse	5 A
11	EEA4058	1	Attachment board	Version 3.0
11	EEA4576	1	Attachment board	Version 4.0
12	EEA2937	1	Attachment board cplt.	12/24V
13	EEA3087	1	Wire plug (6-sections)	Typ BL
14	EB3499	1	Symbol sign	
15	EEA4658	1	Indicator module	



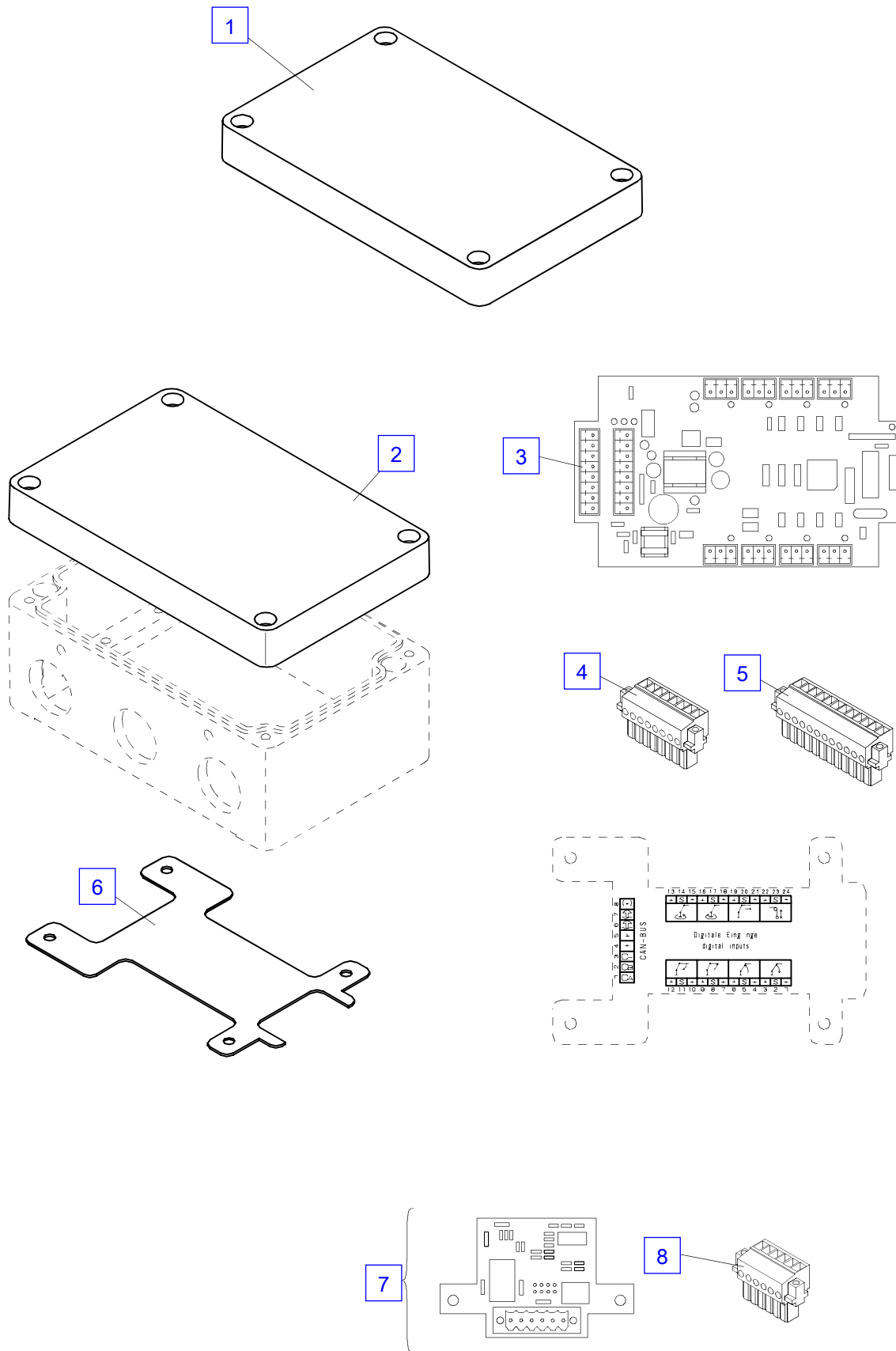
Control unit, cpl.

No.	Spare part	Qty.	Description	Dimension
1	EEA1717	1	Control unit, cpl.	
2	EEA2740	1	Control unit, cpl.	
3	EEA4806	1	Control unit, cpl.	
4	EEA4807	1	Control unit, cpl.	
5	EEA4808	1	Control unit, cpl.	
6	EEA2234	1	Emergency cut-off button	22 mm
6	EEA6077	1	Emergency cut-off button	
7	HT1042	1	Cover plate	
8	EEA1931	1	Attachment board	
9	EEA2603	0	Wire plug (2-sections)	Typ BL
10	EEA2604	0	Wire plug (8-sections)	Typ BL



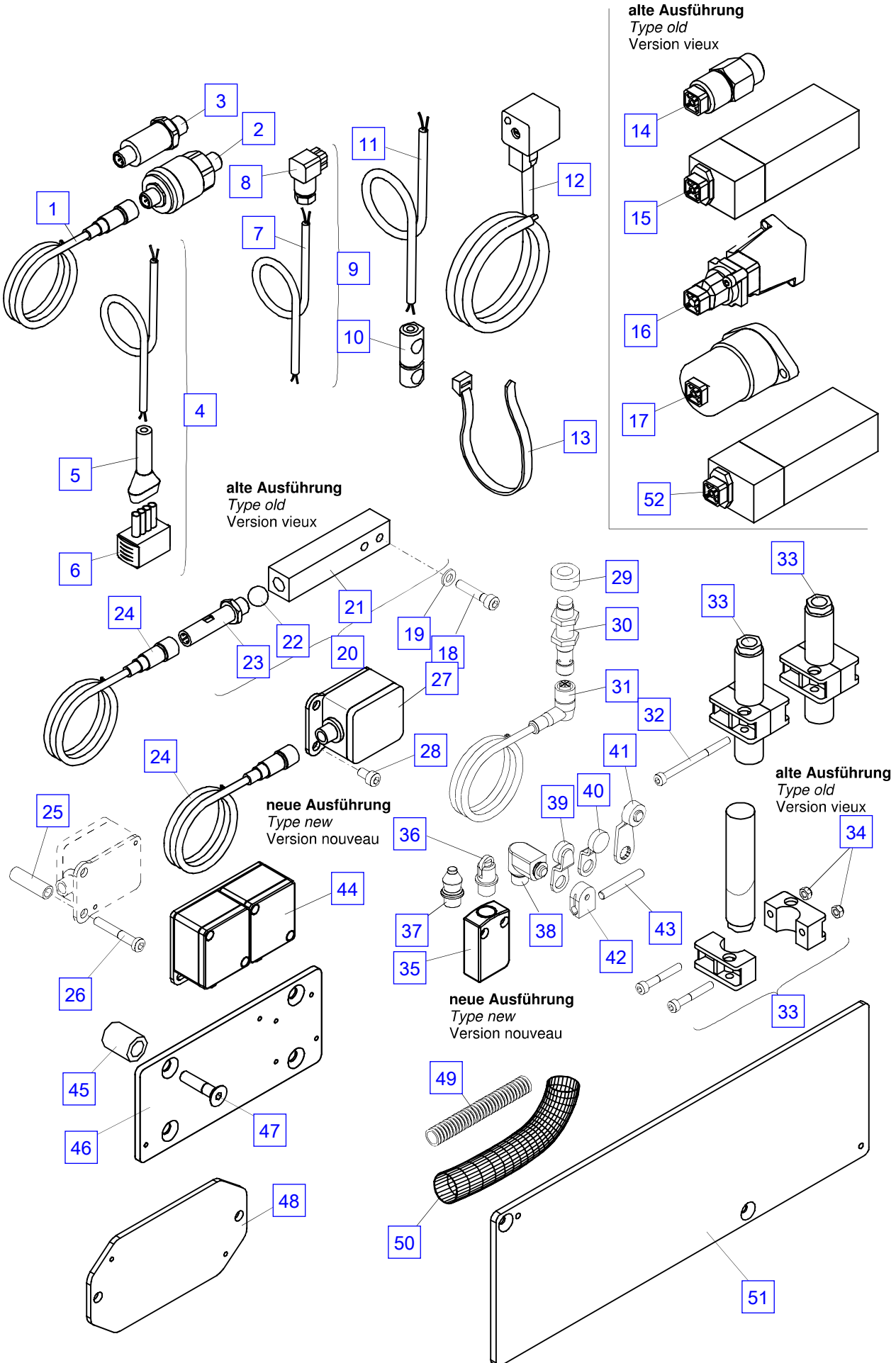
Valve casing, cpl.

No.	Spare part	Qty.	Description	Dimension
1	EEA1716	1	Valve casing, cpl.	
2	EEA2704	1	Cover	
3	EEA1930B	1	Drawer electronics, cpl.	PAL 50
	EEA12797	1	Spool position board	
	EEA12797B	1	Spool position board	
4	EEA2604	0	Wire plug (8-sections)	Typ BL
5	EEA2606	0	Wire plug (12-sections)	Typ BL
6	HT16686	1	Cover plate	
7	EEA3019	1	Attachment board cpl.	AOS 24V
7	EEA3429	1	Attachment board cpl.	AOS 12V
8	EEA3087	1	Wire plug (6-sections)	Typ BL



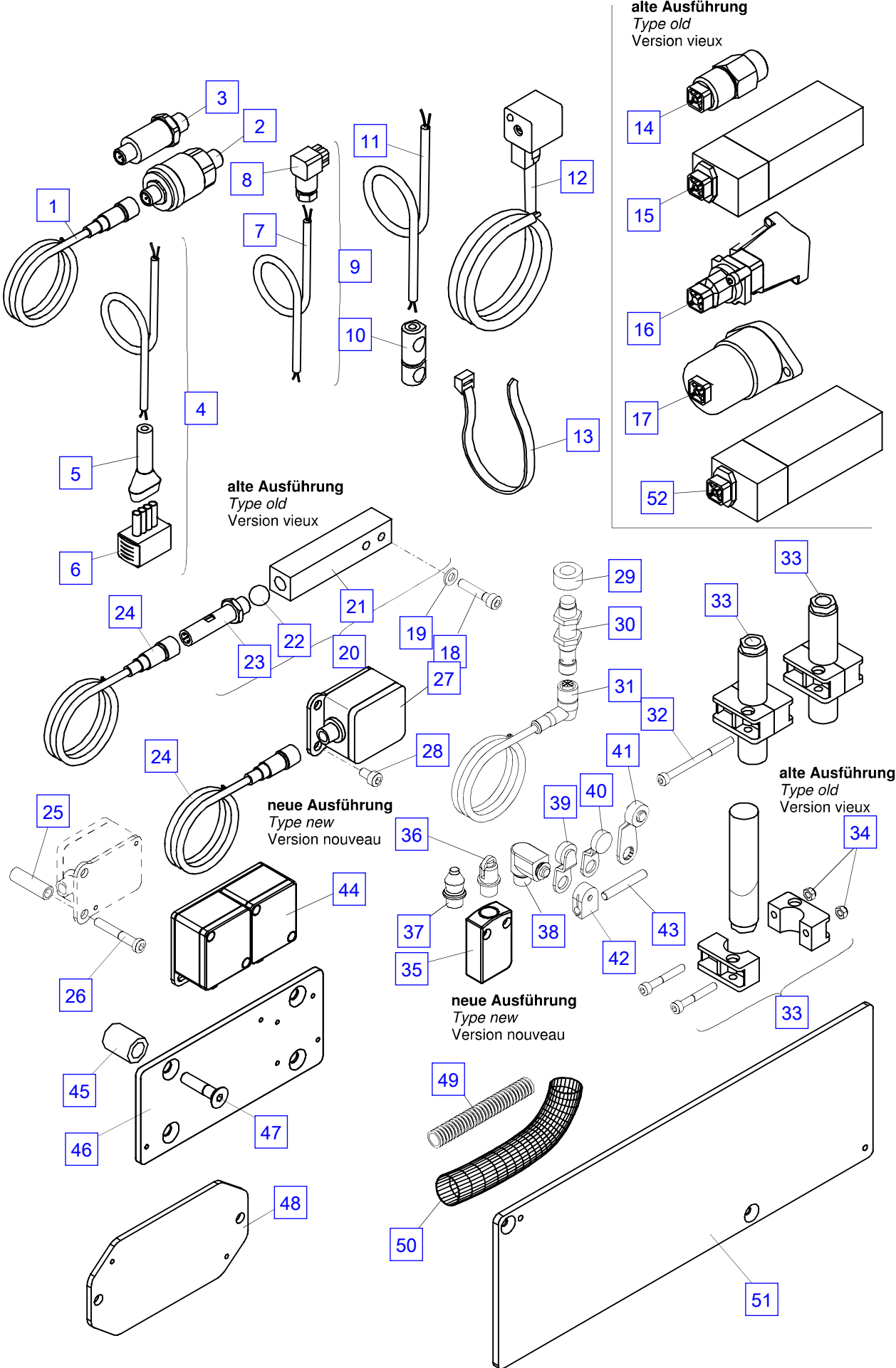
Accessories (1)

No.	Spare part	Qty.	Description	Dimension
1	EEA2574	2	Plug with cable (3-pole)	M 12 - 8 m
1	EEA5075	2	Plug with cable (3-pole)	M 12 - 3 m
2	EEA2559	2	Pressure transducer	24 V 400 bar
2	EEA2812	2	Pressure transducer	12V 400bar
3	EEA4164	2	Pressure transducer	12V 600 bar
3	EEA4165	2	Pressure transducer	24V 600 bar
4	EEA2595	1	Plug, cpl. with cable	4x0.34 l=1500
4	EEA2889	1	Plug with cable black (AMP) with cable	l=2500
4	EEA3037	1	Plug with cable grey (AMP) with cable	l=2150
5	EZ1731	1	Rubber grummet	
6	EEA2609	1	Plug, black	AMP
7	EEA1755	0	Cable (metre goods) Metered good	4x0.34 mm ²
8	EEA1718	1	Wire plug	
9	EEA2696	1	Plug with cable	1.5 m
10	EEA 031	1	Fuse	8 A
11	EEA 058	0	Cable (metre goods)	3x0.5 mm ²
11	EEA 134	0	Cable for drag chain (metro goods)	12x1 mm ²
11	EEA 162	0	Cable (metre goods)	3x1.5 mm ²
11	EEA 169	0	Cable (metre goods)	2x1 mm ²
11	EEA 170	0	Cable (metre goods)	2x1.5 mm ²
11	EEA 192	0	Cable (metre goods)	7x1.5 mm ²
11	EEA2141	0	Cable for drag chain (metro goods)	5x1 mm ²
11	EEA2478	0	Cable (metre goods)	2x2.5 mm ²
11	EEA5752	0	Cable for drag chain (metro goods)	22x1 mm ²
12	EEA 772	1	Plug with cable LED	1,5 m
12	EEA 773	1	Plug with cable LED	3 m
13	EK 155	1	Cable tie	l=102x2.5
13	EK 165	1	Cable tie	l=215x4.8
14	EV3612	1	Spool position control (APITECH)	
15	EV3613	1	Spool position control (DANFOSS)	
16	EV3614	1	Spool position control (RS 210)	
17	EV3615	1	Spool position control (VOAC)	
18	ES 087	2	Screw	M 6x30 - 8.8 - ISO4762
18	ES 855	2	Screw	M 6x25 ISO4762- 8.8
19	EK 190	2	Washer	DIN134-06-ST
20	HXE 953	1	Pendulum, cpl.	
21	HT3612	1	Housing	
22	EK 610	1	Ball	
23	EE 110	1	Inductive switch	
24	EEA1150	1	Plug with cable (3-pole)	M 12 - 12 m
25	HBS3084	2	Spacer (PJ170)	l=33 mm
26	ES 105	2	Screw	M 6x40 ISO4762 10.9
27	EEA15298	1	Pendulum (0-180°)	M 12
28	ES 414	2	Screw	M6x10 ISO4762 - 8.8
29	BH242-0803	1	Bushing	M 12x1
30	EEA3104	1	Sensor Opener	M 12x1 - M 12x1
31	EEA3105	1	Angle plug with cable (4-pole)	M 12 - 2 m
32	ES 810	2	Screw	M 5x65 DIN 912
33	EEA1252	2	Inductive switch	
34	EM 247	4	Nut	M 5 DIN 562 VZ
35	EEA3942	1	Limit switch	



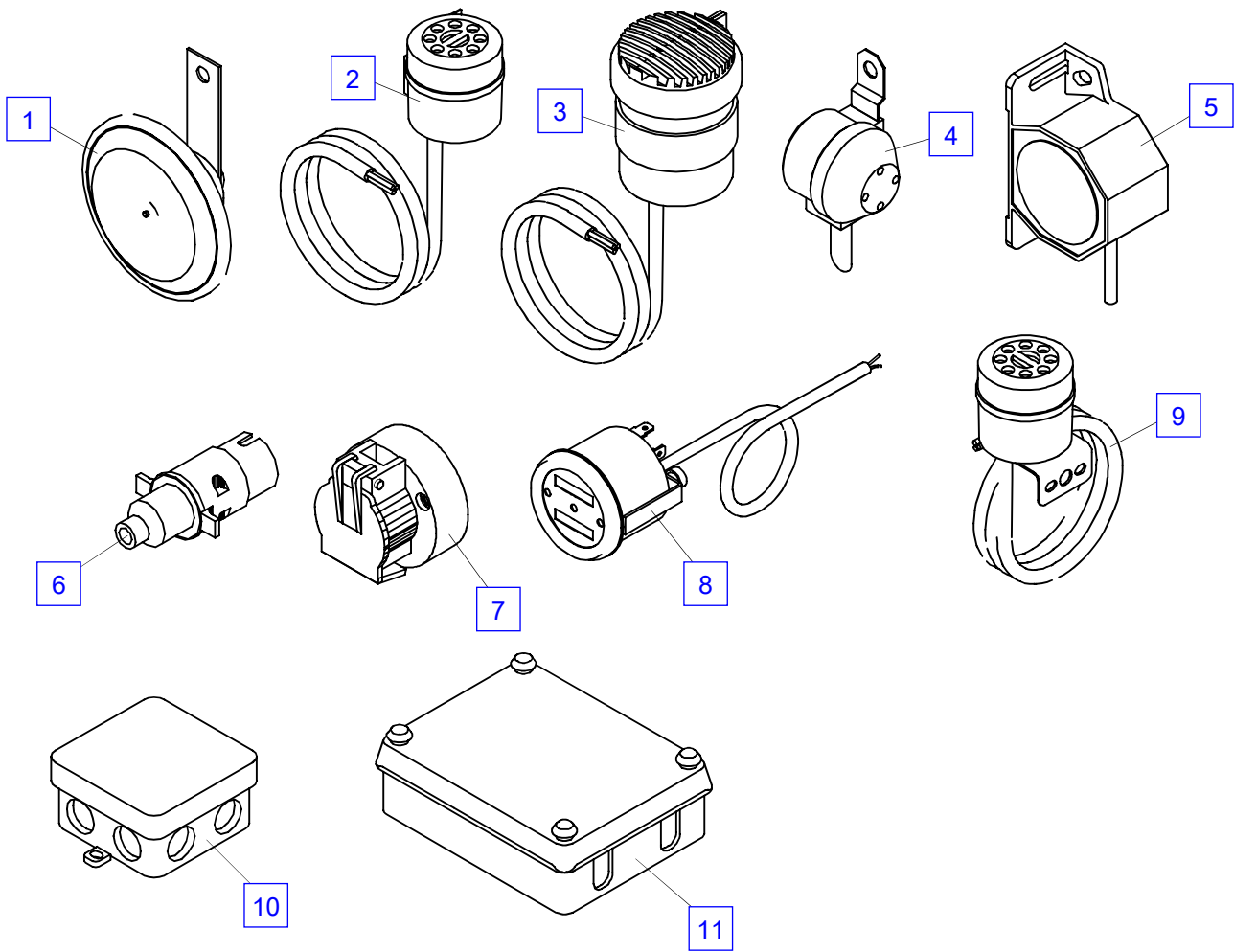
Accessories (1)

No.	Spare part	Qty.	Description	Dimension
	EEA3944	0	Connection element with cable	2 m
	EEA3945	0	Connection element with cable	5 m
	EEA3949	0	Connection element with cable	10 m
36	EEA3943	1	Roller tappet	
37	EEA5454	1	Roller tappet	
38	EEA3986A	1	Drive	
39	EEA3987	1	Roller lever Plastic	l=42.5 mm, b=5 mm
40	EEA4272	1	Roller lever	
41	EEA9882	1	Roller lever	l=55 mm
42	EEA4579	1	Bearer	
43	HI7270	1	Pin	
44	EEA5030	1	Pendulum, cpl.	
45	HBS1533	2	Bushing	D20.0xd12.5xL=25 mm
46	HT6592	1	Plate	
47	ES 408	2	Screw	M8x35 - 8.8 ISO14581
48	HTR4023	1	Fastening plate	
49	EZ1266	0	Protection hose (metre goods)	D 12.2/15.7 mm
49	EZ1293	0	Protection hose (metre goods)	D 9.8/13 mm
50	EH 822	1	Protection hose	NW 50x500
50	EH 878	1	Protection hose	NW 102x1000
51	HT11022	1	Plate	
52	EV7149	1	Spool position control	



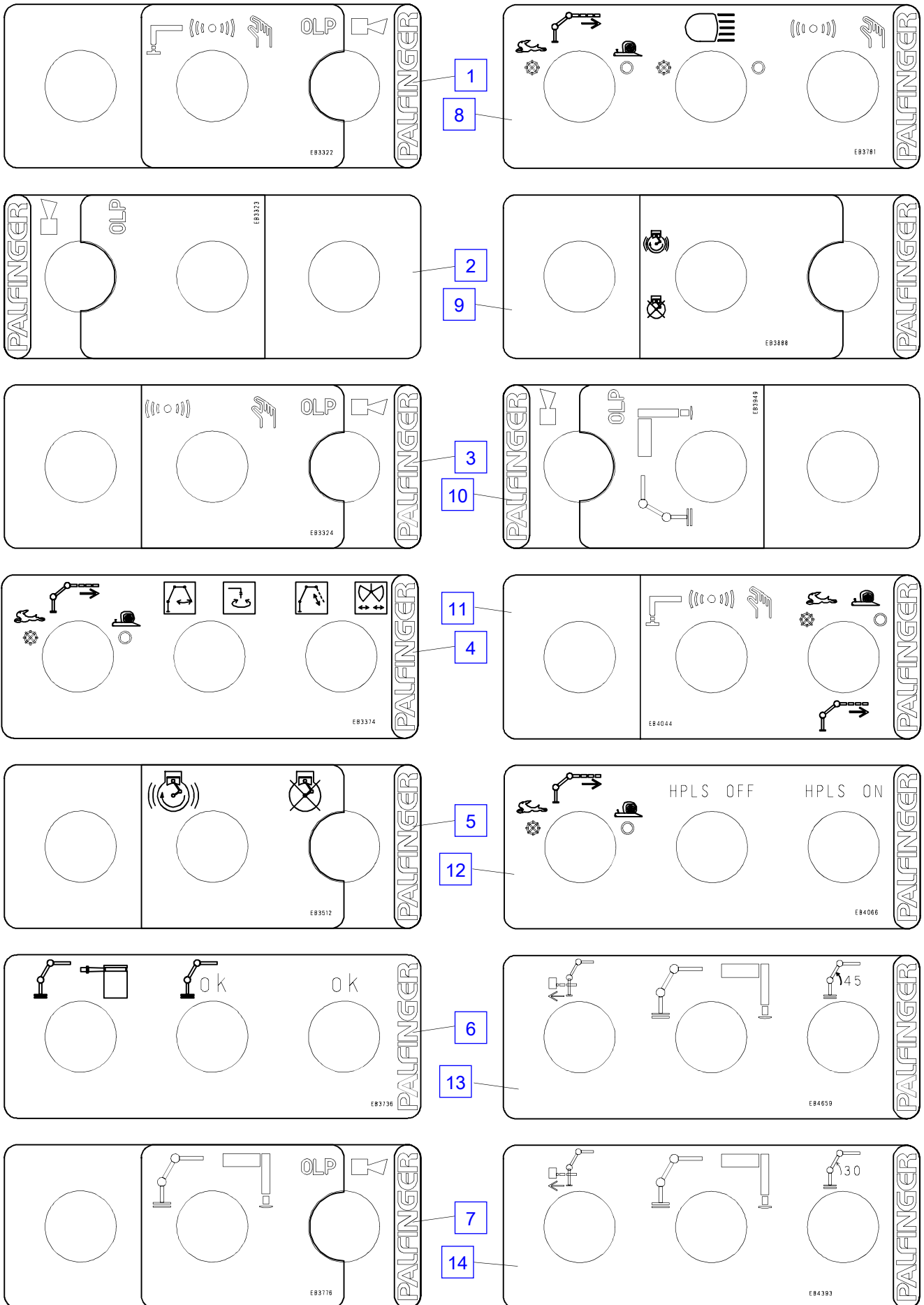
Accessories (2)

No.	Spare part	Qty.	Description	Dimension
1	EEA 036	1	Horn	12 V
1	EEA 037	1	Horn	24 V
2	EEA 080	1	Horn (Alternating tone alert signal)	12/24 V
3	EEA3674	1	Horn for EN-12999	12/24 VDC
4	EEA1998	1	Buzzer	12 V
4	EEA1999	1	Horn	24 V
5	EEA2753	1	Horn for EN-12999	12 m (CE)
6	EEA 028	1	Plug (3-de poles)	
7	EEA 029	1	Plug box (3-de poles)	
8	EEA3427	1	Hour meter	
9	EEA6193	1	Horn (Alternating tone alert signal)	12/24 VDC (H5)
10	EEA 030	1	Branch box	
11	EEA 378	1	Clamp housing	



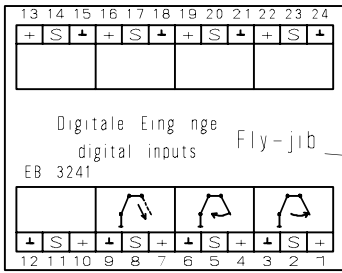
Decals (1)

No.	Spare part	Qty.	Description	Dimension
1	EB3322	1	Symbol sign	
2	EB3323	1	Symbol sign	
3	EB3324	1	Symbol sign	
4	EB3374	1	Symbol sign	
5	EB3512	1	Symbol sign	
6	EB3736	1	Symbol sign	
7	EB3776	1	Symbol sign	
8	EB3781	1	Symbol sign	
9	EB3888	1	Symbol sign	
10	EB3949	1	Symbol sign	
11	EB4044	1	Symbol sign	
12	EB4066	1	Symbol sign	
13	EB4659	1	Symbol sign	
14	EB4393	1	Symbol sign	

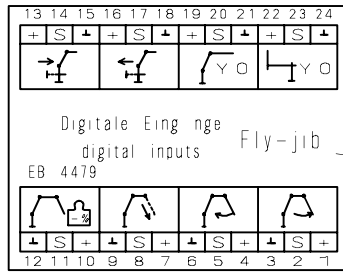


Decals (2)

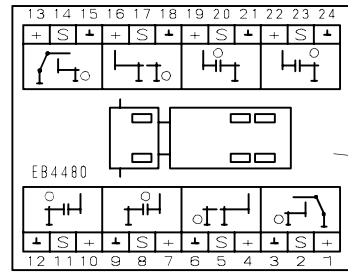
No.	Spare part	Qty.	Description	Dimension
1	EB3241	1	Symbol sign	
2	EB4479	1	Symbol sign	
3	EB4480	1	Symbol sign	
4	EB3499	1	Symbol sign	
5	EB 450	1	Symbol sign	10A
6	EB 382	1	Decal	12V
7	EB 383	1	Decal	24V
8	EB3902	1	Symbol sign	
9	EB3903	1	Symbol sign	
10	EB4710	1	Symbol sign	



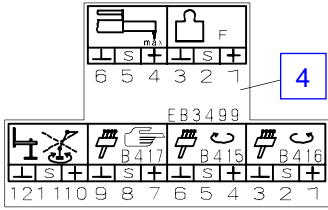
1



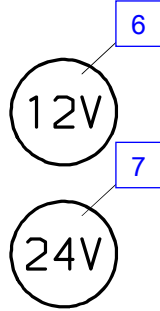
2



3

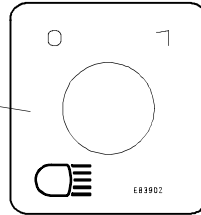


4

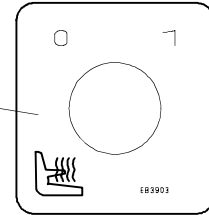


6

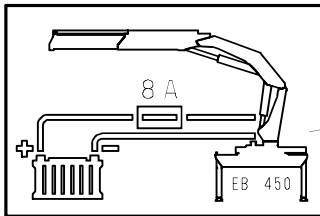
7



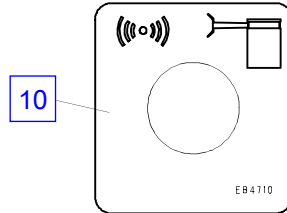
8



9



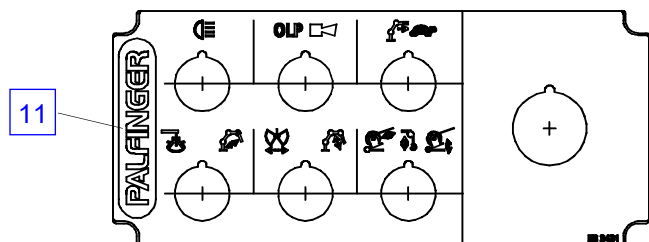
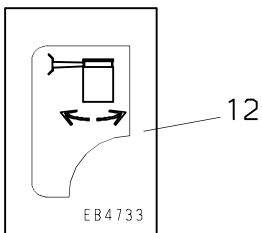
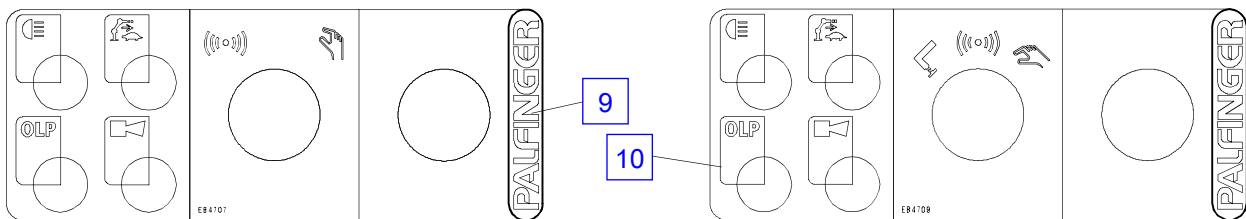
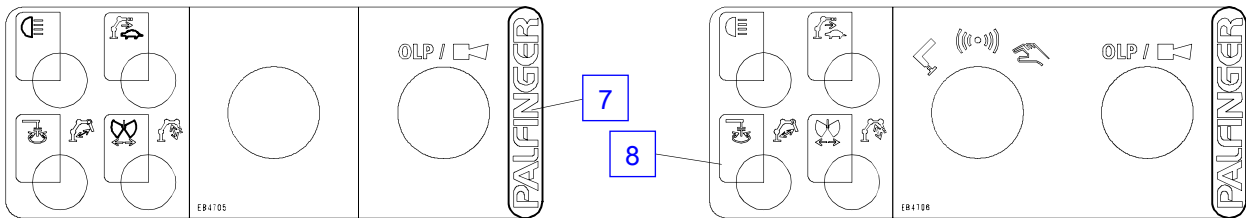
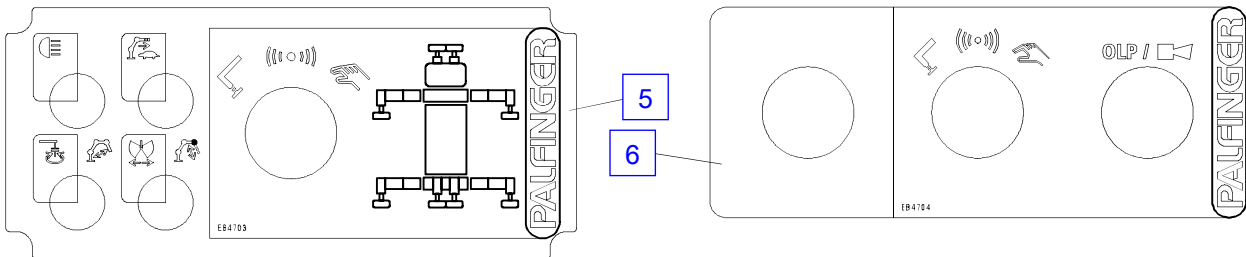
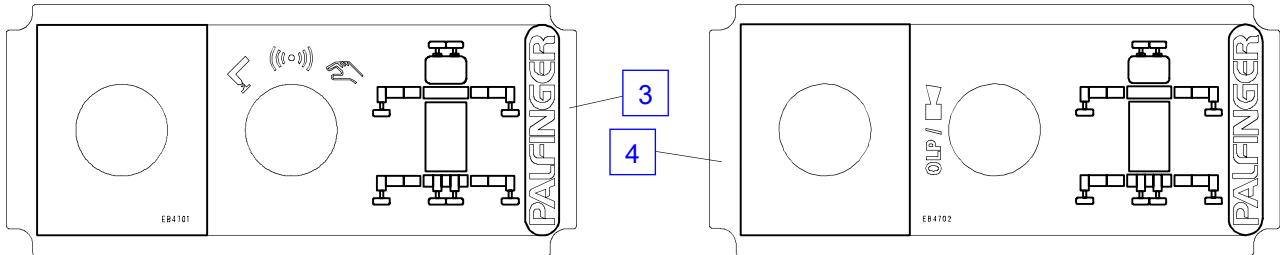
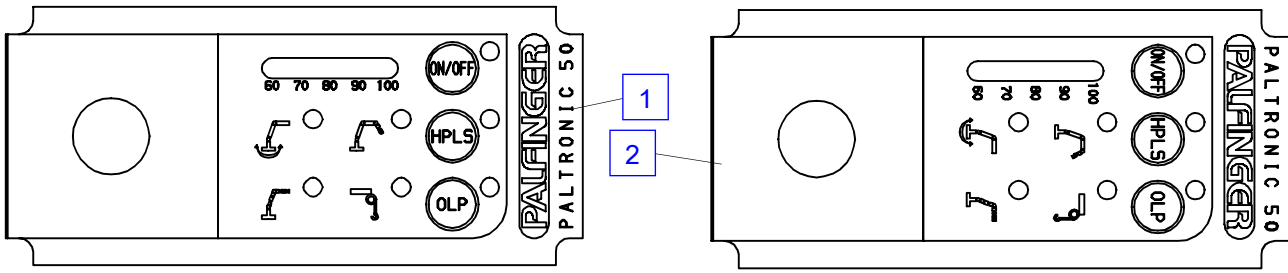
5



10

Decals (3)

No.	Spare part	Qty.	Description	Dimension
1	EB2468	1	Symbol sign	
2	EB3221	1	Symbol sign	
3	EB4701	1	Symbol sign	
4	EB4702	1	Symbol sign	
5	EB4703	1	Symbol sign	
6	EB4704	1	Symbol sign	
7	EB4705	1	Symbol sign	
8	EB4706	1	Symbol sign	
9	EB4707	1	Symbol sign	
10	EB4709	1	Symbol sign	
11	EB3431	1	Symbol sign	
12	EB4733	1	Symbol sign	



Working light

No.	Spare part	Qty.	Description	Dimension
1	EEA 575	1	Button	
2	EEA 500	1	Sub switch	
3	EEA 499	1	Housing	
4	EEA 298	1	Nut	PG 13.5
5	EEA 510	1	Fitting	PG 13.5
6	EEA 169	0	Cable (metre goods)	2x1 mm ²
6	EEA 170	0	Cable (metre goods)	2x1.5 mm ²
7	EB2485	1	Symbol sign	
8	EK 084	0	Mounting band	l=360x7.5
8	EK 165	0	Cable tie	l=215x4.8
9	HXE2248	1	Bearer	
10	HA6884	1	Bearer	
11	HA7050	1	Bearer	L0441.3xB0025xS005
12	EEA 242	1	Headlight	12/24 VDC
	EEA 243	1	Spare lamp/light	24V 100W
	EEA3507	1	Spare lamp/light	12V 50W
12	EEA 243	1	Spare lamp/light	24V 100W
12	EEA3507	1	Spare lamp/light	12V 50W
13	EZ 934	1	Screen	
14	EB3902	1	Symbol sign	
15	EB3903	1	Symbol sign	
16	EEA5407	1	Headlight	Power Beam 3000
	EEA5044	1	Plug, cpl.	
	EEA14722	1	Plug (2-pole)	
17	HA11802	1	Bearer	L0109xB0100xS005
18	EK 003	2	Washer	D 8.4 ISO7089
19	ES 264	2	Screw	M8x16 ISO4762- 8.8
20	EEA11204	1	Headlight24	24 VDC
	EEA5044	1	Plug, cpl.	
	EEA14722	1	Plug (2-pole)	
	EEA11504	1	Spare lamp/light	H3 24V 70W
20	EEA11088	1	Headlight12	12 VDC
	EEA5044	1	Plug, cpl.	
	EEA14722	1	Plug (2-pole)	
	EEA11503	1	Spare lamp/light	H3 12V 55W
21	HA11466	1	Bearer	

