

# Spare Parts Catalogue

## Hydraulic crane

### PK 7501

#### (S105A)

Valid for serial number

100011302

---

First Edition: 12/2005

**Edition: 11/2021**

**EN**

---

PALFINGER AG  
Lamprechtshausener Bundesstraße 8  
5101 Bergheim / Austria  
[www.palfinger.com](http://www.palfinger.com)

## Preface

This catalogue of spare parts is based on latest stages of product design and development.

If you have maintained and serviced the technically matured equipment purchased from us in accordance with our instructions, there will scarcely be any need to consult this spares catalogue.

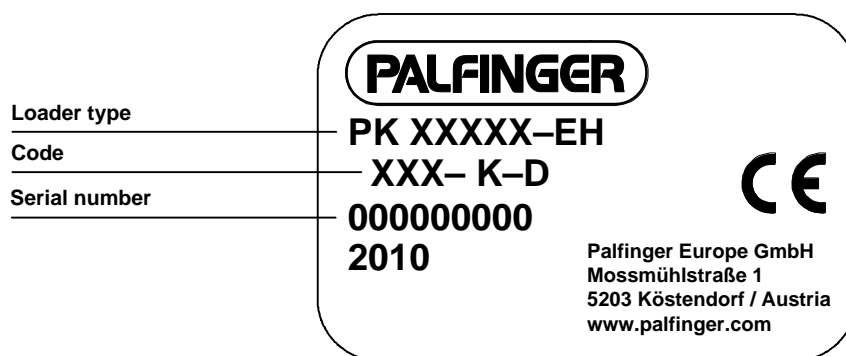
Should, in spite of this, the occasion arise to order spares, we would kindly ask you to state precise details as given in the catalogue, (please refer to "INFORMATION ON THE ORDERING OF SPARE PARTS") so as to avoid confusion.

We reserve the right to make design modifications.

## Information on the ordering of spare parts

To supply you with the correct parts in the shortest possible time it is necessary to inform us about following details:

- Loader type, code and serial number (look identification plate)
- Spare parts number
- Required quantity of spare parts



|                |                               |        |   |
|----------------|-------------------------------|--------|---|
| (-->123456789) | Valid to crane number         |        |   |
| (123456789-->) | Valid from crane number       |        |   |
| (1-16)         | consists out of position 1-16 |        |   |
| (+20)          | with position 20              |        |   |
| Page-A         | Control valve side            |        |   |
| Page-B         | Counter control side          |        |   |
| ABST           | Support                       | R      | without extension box                           |
|                |                               | R0     | One side extension box                          |
|                |                               | R1     | Both side extension box                         |
|                |                               | R2     | Both side extension box - extended              |
|                |                               | R3     | Extension box telescopic                        |
|                |                               | R4     | Both side extension box - extended              |
|                |                               | R.X    | Both side extension box - hydraulic             |
|                |                               | SR.    | Support controllable from top seat              |
| DPS+           | Dual Power System Plus        | FFST   | Radio remote control                            |
| FERN           | Remote control                | PALF20 | PALFINGER-PALCOM                                |
| FERT           | Type - remote control         | P2     | PALFINGER-SCANRECO                              |
|                |                               | BMS2   | HETRONIC  |
|                |                               | P3     | with display                                    |
| GGSR           | Control (reverse acting)      | LKW    | Mounting LKW                                    |
| GRA            | Type - crane Base             | SAT    | Semi-trailer installation                       |
|                |                               | EGG    | Integrated base                                 |
| HEC            | Rear-stabilizer               | HSTZY  | Tiltable stabilizer                             |
| HEM            | Rear module                   | HEM900 | Rear module +900                                |
| HKONS          | Top seat FFST                 | HK001  | Standard seat                                   |
|                |                               | HK002  | Tiltable seat                                   |
|                |                               | HK003  | Seat with heater                                |
|                |                               | HK004  | Folding seat with heater                        |
| HOST           | Top seat - control            | KL0    | Linear lever control                            |
|                |                               | KK1    | Cross lever control                             |
| HPLS           | High Power Lifting System     | EHPLS  | High Power Lifting System                       |
|                |                               | SHPLS  | Super High Power Lifting System                 |
| HSITZ          | Top seat - standard           | HS005  | Tiltable seat                                   |
|                |                               | HS012  | Standard seat                                   |
| HYA,PJHY       | Hydraulic extensions          | ()     | Configuration with one hydraulic extension boom |
|                |                               | A      | Crane with 2 hydraulic extension booms          |
|                |                               | B      | Crane with 3 hydraulic extension booms          |
|                |                               | C      | Crane with 4 hydraulic extension booms          |
|                |                               | D      | Crane with 5 hydraulic extension booms          |
|                |                               | E      | Crane with 6 hydraulic extension booms          |
|                |                               | F      | Crane with 7 hydraulic extension booms          |
|                |                               | G      | Crane with 8 hydraulic extension booms          |
|                |                               | H      | Crane with 9 hydraulic extension booms          |
| IKONS          | Standing platform FFST        | IK002  | without IS001, with IG001                       |
|                |                               | IK004  | with IS001,IG001                                |
|                |                               | IK006  | with IS002,IG001                                |
| IG             | Railing                       | IG001  | 3 port  |
|                |                               | IG002  | 2 port  |
| IS             | Limitation of rotation (I)    | IS001  | Limitation of rotation over (I)                 |
|                |                               | IS002  | Limitation of rotation, main boom over (I)      |
|                |                               | IS003  | Limitation of rotation over (FL)                |
| ISC            | Integrated Stability Control  | ISC01  | Support control +SHB                            |
|                |                               | HPSC   | High Performance Stability Control              |
| LHA            | Crane hook                    | LHA03  | 25t with sleeve bearing                         |
|                |                               | LHA04  | 8t with sleeve bearing                          |
|                |                               | LHA06  | 15t with sleeve bearing                         |
|                |                               | LHA08  | 5,4t with sleeve bearing                        |
|                |                               | LHA09  | 11t with roller bearing                         |
|                |                               | LHA12  | 8t with roller bearing                          |

Signs and symbols

|       |  |           |   |
|-------|--|-----------|---|
| LHV   | Load holding valve                       | LHV...    | see page 0.22   |
| NOTAB | Emergency lowering device                | NOT01     | (NOTAB) Lifting cylinder                                |
| O     | Overload protection                      | OSK       | with lock cylinder                                      |
| OELKU | Oil cooler                               | ÖLK01     | Oil cooler 8.5kW mounted                                |
|       |  | ÖLK02     | Oil cooler 10.5kW, loose                                |
|       |  | ÖLK03     | Oil cooler 8.5kW, loose                                 |
|       |  | ÖLK04     | Oil cooler 20kW mounted                                 |
|       |  | ÖLK05     | Oil cooler 20kW, loose                                  |
|       |  | ÖLK07     | Oil cooler 10.5kW mounted                               |
|       |  | PT050     | Paltronic 50  |
|       |  | PT150     | Paltronic 150   |
| PAL   | Paltronic                                |           |   |
| PJ    | Fly-Jib                                  |           |   |
| PJHY  | Hydraulic extensions                     | see (HYA) |   |
| PJKSL | Hose-equipment (PJ)                      | J02       | 1 Auxiliary equipment                                   |
|       |  | J04       | Auxiliary equipments2                                   |
| PJV   | Extension                                | see (V)   |   |
| PUMPE | Type - pump                              | PU002     | Fixed displacement pump                                 |
|       |  | PU003     | Variable displacement pump                              |
| RODRU | Rotator (...bar)                         |           |   |
| S     | Rope winch                               | SHE       | with limiting switch - main boom                        |
|       |  | SK        | without limiting switch - outer boom                    |
|       |  | SKE       | with limiting switch - outer boom                       |
|       |  | SHEK      | Power link rope winch (hydraulic tiltable at main boom) |
| SCH   | Slew limitation                          | GR__      | Limit of rotation __ degree                             |
| SHB   | Slew angle dependent capacity limitation | SHB01     | with one pressure range                                 |
|       |  | SHB07     | with 2 pressure ranges + jumper                         |
| SKUPP | Quick-coupling<br>Multifaster            | MULT11    | Quick-coupling, crane                                   |
|       |  | MULT12    | Quick-coupling,(PJ)                                     |
|       |  | MULT13    | Quick-coupling, crane+(PJ)                              |
| SL    | Hose-equipment                           | 2         | 1 Auxiliary equipment - hose tray                       |
|       |  | 4         | 2 Auxiliary equipment - hose tray                       |
|       |  | T2        | 1 Auxiliary equipment - hose drum                       |
|       |  | T4        | 2 Auxiliary equipment - hose drum                       |
|       |  | T2i       | 1 Auxiliary equipment - hose drum (inside)              |
|       |  | T4i       | 2 Auxiliary equipment - hose drum (inside)              |
| SLVO  | Preparation (SL)                         | VSL2      | Preparation (SL) 1 auxiliary equipment                  |
|       |  | VSL4      | Preparation (SL) 2 auxiliary equipment                  |
| SONSL | Control valve section (SL)               | SSZD      | Brick grab Germany                                      |
|       |  | SSZT      | Brick grab + deadman push button                        |
| SOSTZ | Stabilizer ram                           | SCSTD     | Type Scandinavian                                       |
|       |  | STÜ01     | Stabilizer ram -150 mm                                  |
|       |  | STÜ02     | Stabilizer ram +100 mm                                  |
|       |  | STÜ03     | Stabilizer ram -100 mm                                  |
| STEIL | Boom angle monitoring system             | STEIL1    | Boom angle monitoring system                            |
|       |  | STEIL2    | Monitoring the steep position (PJ)                      |
| STG   | Control - support                        | FL        | Control valve - support                                 |
|       |  | FLZUS     | Control valve - auxiliary support                       |
|       |  | FFST4     | remote controlled (4-elements)                          |
|       |  | FFST8     | remote controlled (8-elements)                          |
|       |  | FFST12    | remote controlled (12-elements)                         |
|       |  | FFST14    | remote controlled (14-elements)                         |
| STGA  | Control - crane                          | FL        | Floor control   |
|       |  | I         | High stand platform                                     |
|       |  | H         | Top seat  |
|       |  | NK        | Emergency control - crane column                        |
|       |  | NK2K      | Emergency control - crane column, double circuit        |
| STRAN | Rope winch, strand                       | 1         | 1 strand  |
|       |  | 2         | 2 strand  |
|       |  | 4         | 4 strand  |
| STT   | Stabilizer plates                        | STD       | Standard  |
| STU   | Hour meter                               | __        | Extension __mm  |



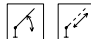
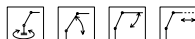

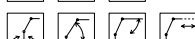
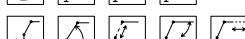
|           |                               |           |   |
|-----------|-------------------------------|-----------|---|
| STZ       | Stabilizer ram                | STZO      | Type without support  |
|           |                               | STZS3     | Stabilizer ram - rigid  |
|           |                               | STZY3     | Stabilizer ram - slewable   |
|           |                               | STZY      | Hydraulically tiltable stabilizer cylinder  |
|           |                               | STZS3Y    | Page-A=(STZS3) B=(STZY3)  |
|           |                               | STZYS3    | Page-A=(STZY3) B=(STZS3)  |
| SWERK     | Slewing system                | 1GETR     | 1-Slewing gear  |
| SWK       | Max. rope winch capacity:     | 2GETR     | 2-Slewing gear  |
| TKKR      | Crane tank                    | 1,5 - 4,5 | 1,5t - 4,5t   |
| TKLO      | Auxiliary tank                | TL__      | Oil tank__l   |
| TOT       | Dead center                   | TOWI      | Dead center over balance  |
|           |                               | TOQU      | Dead center over transverse spar  |
|           |                               | SE        | continuous  |
| TRANS     | Transport position monitoring | TRAN1     | Armrest   |
|           |                               | TRAN2     | Main boom - horizontal level  |
|           |                               | DN46      | DINOIL DN46   |
| TSCH,TSTB | Control valve                 | M4-12     | REXROTH M4-12   |
|           |                               | PVG32     | DANFOSS PVG32   |
|           |                               | RS210     | NORDHYDRAULIK RS210   |
|           |                               | RS220     | NORDHYDRAULIK RS220   |
|           |                               | RSQ240    | NORDHYDRAULIK RSQ240  |
|           |                               | SDM081    | WALVOIL SDM081  |
|           |                               | VDM07     | SALAMI VDM07  |
| V,PJV     | Extension                     | V1()      | 1 Extension by (HYA ())   |
|           |                               | V1A       | 1 Extension by (HYA A)  |
|           |                               | V1B       | 1 Extension by (HYA B)  |
|           |                               | V1C       | 1 Extension by (HYA C)  |
|           |                               | V1D       | 1 Extension by (HYA D)  |
|           |                               | V1E       | 1 Extension by (HYA E)  |
|           |                               | V1F       | 1 Extension by (HYA F)  |
|           |                               | V1G       | 1 Extension by (HYA G)  |
|           |                               | V1H       | 1 Extension by (HYA H)  |
|           |                               | V2()      | 2 Extensions by (HYA ())  |
|           |                               | V2A       | 2 Extensions by (HYA A)   |
|           |                               | V2B       | 2 Extensions by (HYA B)   |
|           |                               | V2C       | 2 Extensions by (HYA C)   |
|           |                               | V2D       | 2 Extensions by (HYA D)   |
|           |                               | V2E       | 2 Extensions by (HYA E)   |
|           |                               | V2F       | 2 Extensions by (HYA F)   |
|           |                               | V2G       | 2 Extensions by (HYA G)   |
|           |                               | V2H       | 2 Extensions by (HYA H)   |
|           |                               | V3()      | 3 Extensions by (HYA ())  |
|           |                               | V3A       | 3 Extensions by (HYA A)   |
|           |                               | V3B       | 3 Extensions by (HYA B)   |
|           |                               | V3C       | 3 Extensions by (HYA C)   |
|           |                               | V3D       | 3 Extensions by (HYA D)   |
|           |                               | V3E       | 3 Extensions by (HYA E)   |
|           |                               | V3F       | 3 Extensions by (HYA F)   |
|           |                               | V3G       | 3 Extensions by (HYA G)   |
|           |                               | V3H       | 3 Extensions by (HYA H)   |
| LHV       | Load holding valve            | LHV14     |                                    |
|           |                               | LHV18     |                                   |
|           |                               | LHV19     |                                   |
|           |                               | LHV28     |  Double-acting load holding valve |
|           |                               | LHV34     |                                   |

Table of Contents

|            |                            |
|------------|----------------------------|
| Page       |                            |
| <b>0</b>   | <b>PREFACE</b>             |
| 0.02       | Preface-EN                 |
| 0.20       | Signs and symbols          |
| 0.21       | Signs and symbols          |
| 0.22       | Signs and symbols          |
| <b>010</b> | <b>BASE</b>                |
| 010.0100   | Base                       |
| 010.0101   | Catcher                    |
| 010.0102   | Brackets                   |
| 010.0200   | Slewing system             |
| 010.0300   | Pipes-Lube system          |
| 010.0400   | Pipes-Control F,H          |
| 010.0500   | Pipes-Control F,H          |
| 010.0600   | Pipes-Control RC           |
| 010.0700   | Extension box-R1           |
| 010.0800   | Extension box-R2           |
| 010.0900   | Pipes-R1,R2                |
| 010.0901   | Pipes-R1,R2                |
| 010.1000   | Extension box-R2X          |
| 010.1100   | Extension box-R3X          |
| 010.1200   | Extension cylinder-R2X,R3X |
| 010.1201   | Extension cylinder-R2X,R3X |
| 010.1300   | Pipes-R2X,R3X              |
| 010.1400   | Stabilizer ram-STZS        |
| 010.1500   | Pipes-Support STZS         |
| 010.1600   | Pipes-Support STZS         |
| 010.1700   | Stabilizer ram-STZY        |
| 010.1800   | Pipes-Support STZY         |
| 010.1900   | Pipes-Support STZY         |
| 010.2000   | Oil cooler + Öltank        |
| 010.2100   | Stabilizer ram-STZS        |
| 010.2200   | Pipes-Support STZS         |
| 010.2300   | Pipes-Support STZS         |
| <b>020</b> | <b>CONTROL SYSTEM</b>      |
| 020.0100   | Control valve-stabil.      |
| 020.0200   | Control valve-F            |
| 020.0300   | Control valve-F,H-KL0      |
| 020.0400   | Control valve RSQ 240 RC   |
| 020.0500   | Control valve-RC001        |
| 020.0600   | Control system             |
| <b>030</b> | <b>OVERLOAD PROTECTION</b> |
| 030.0100   | Overload protection-OSK-F  |
| 030.0200   | Overload protection-OSK-H  |
| 030.0300   | Overload protection-OSK-RC |

|             |                               |
|-------------|-------------------------------|
| Page        |                               |
| 030.0400    | Slew limitation               |
| 030.0500    | Transport position monitoring |
| 030.0600    | Stabilizer monitoring         |
| <b>040</b>  | <b>CRANE COLUMN</b>           |
| 040.0100    | Crane column                  |
| 040.0200    | Lifting cylinder              |
| 040.0300    | Pipes-Lifting cylinder        |
| 040.0400    | Pipes-Lifting cylinder        |
| 040.0500    | Top seat                      |
| <b>050</b>  | <b>MAIN BOOM</b>              |
| 050.0100    | Main boom                     |
| 050.0200    | Pipes-Outer boom ram          |
| <b>060</b>  | <b>OUTER BOOM</b>             |
| 060.0100    | Outer boom                    |
| <b>070</b>  | <b>BOOM EXTENSIONS</b>        |
| 070.0100    | Boom extension 1              |
| 070.0200    | Boom extension 2              |
| 070.0300    | Boom extension 3              |
| 070.0400    | Boom extension 4              |
| 070.0500    | Boom extension 5              |
| 070.0600    | Extension boom cylinders 1-5  |
| 070.0601    | Extension boom cylinders 1-5  |
| 070.0700    | Pipes-Boom extens.ram         |
| 070.0800    | Pipes-Boom extens.ram         |
| 070.0900    | Pipes-Boom extens.ram         |
| 070.1000    | Hose trays                    |
| 070.1100    | Pipes-Hose guide              |
| <b>080</b>  | <b>MAN. BOOM EXTENSIONS</b>   |
| 080.0100    | Man. boom extensions          |
| <b>090</b>  | <b>ROPE WINCH</b>             |
| 090.0100    | Rope winch-S                  |
| 090.0101    | Rope winch-S                  |
| 090.0200    | Pipes-Rope winch S            |
| 090.0201    | Pipes-Rope winch S            |
| 090.0300    | Guide pulley,trolley head     |
| <b>100</b>  | <b>MISCELLANEOUS</b>          |
| 100.0100    | Miscellaneous                 |
| 100.0200    | Decals                        |
| <b>AB01</b> | <b>CONTROL VALVE</b>          |
|             |                               |

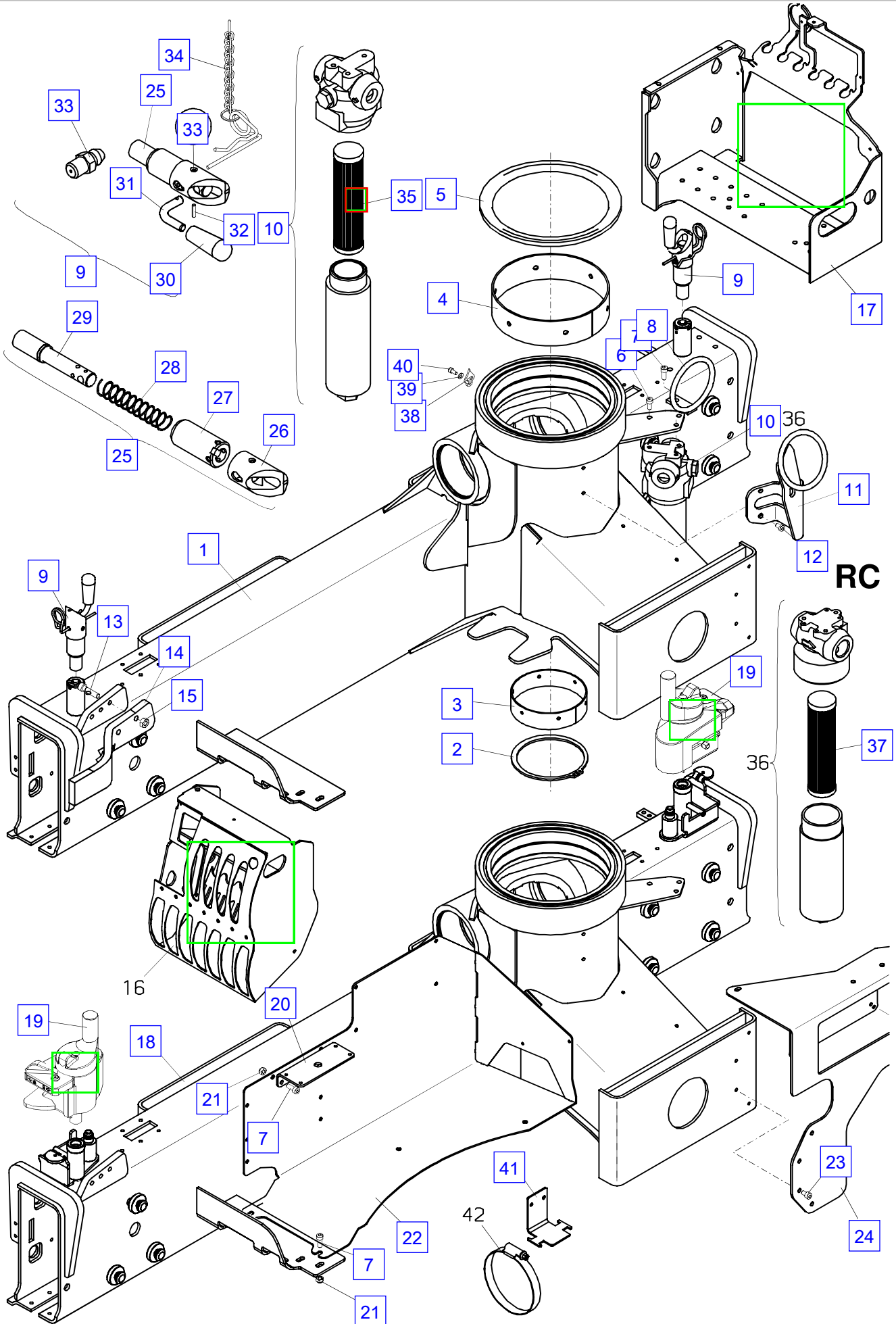
## Table of Contents

| Page        |                                |
|-------------|--------------------------------|
| <b>010</b>  | <b>CONTROL VALVE - SUPPORT</b> |
| 010.0100    | Control valve VDM07            |
| <b>AB04</b> | <b>ELECTRICAL PARTS</b>        |
| <b>010</b>  | <b>BASIC ELEMENT</b>           |
| 010.0100    | Housing - PG                   |
| 010.0200    | Housing - (mm) 1               |
| 010.0300    | Housing - (mm) 2               |
| 010.0400    | Switch                         |
| 010.0500    | Electrical parts               |
| <b>020</b>  | <b>MISCELLANEOUS</b>           |
| 020.0100    | Fitting                        |
| 020.0200    | Plug - auxiliary equipment     |
| <b>030</b>  | <b>ELECTRICAL PARTS</b>        |
| 030.0100    | Basic element                  |
| 030.0200    | Control unit, cpl.             |
| 030.0300    | Valve casing, cpl.             |
| 030.0400    | Accessories (1)                |
| 030.0500    | Accessories (2)                |
| <b>040</b>  | <b>DECALS</b>                  |
| 040.0100    | Decals (1)                     |
| 040.0200    | Decals (2)                     |
| 040.0300    | Decals (3)                     |
| <b>050</b>  | <b>WORKING LIGHT</b>           |
| 050.0100    | Working light                  |
|             |                                |

This page is intentionally left blank

Base

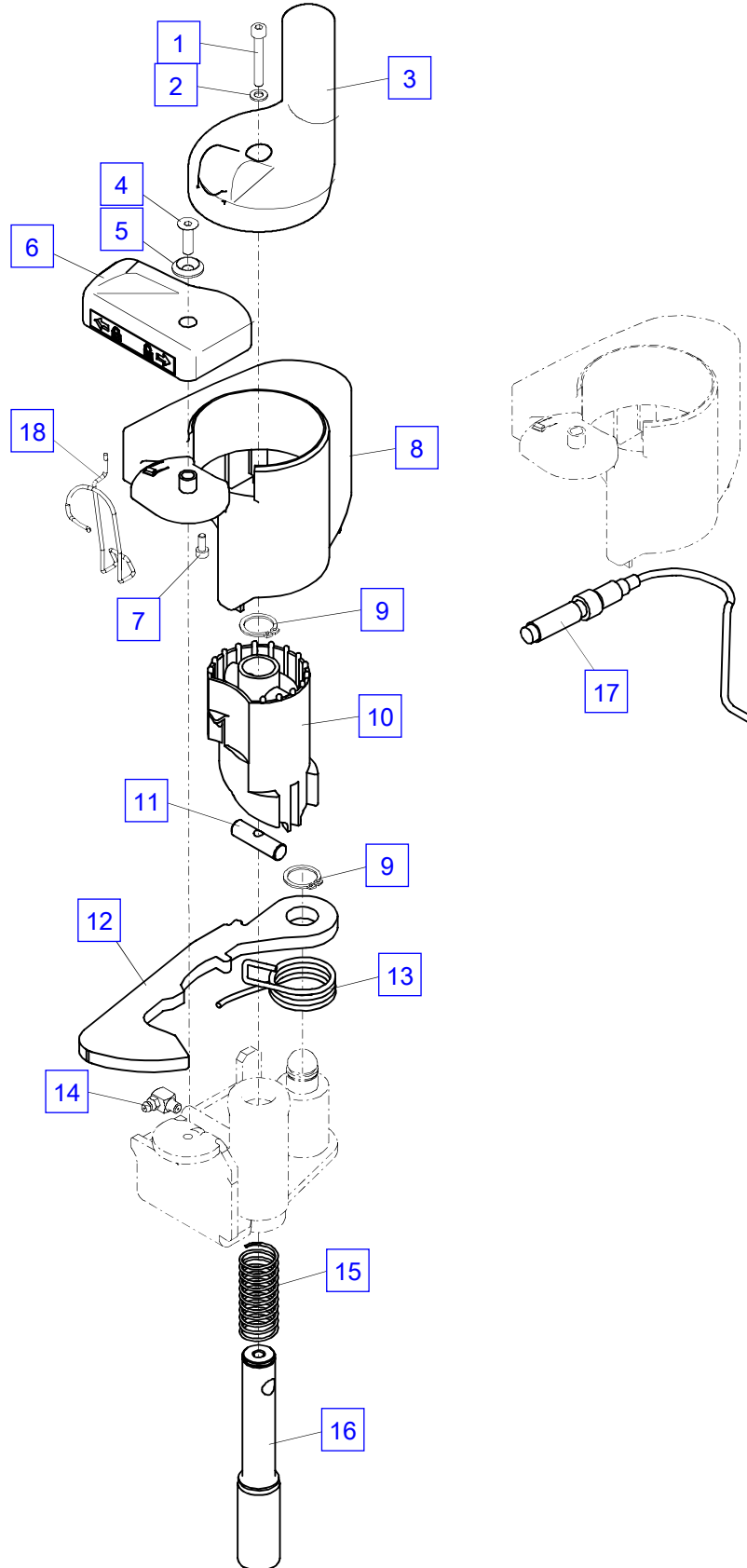
| No. | Spare part | Qty. | Description  | Dimension              |
|-----|------------|------|--|------------------------|
| 1   | S106G01-A  | 1    | Base   |                        |
| 2   | EQ 189     | 1    | Circlip  | D 140 DIN 471          |
| 3   | HT6218     | 1    | Bearing  | 3,0 mm                 |
| 3   | HT6749     | 1    | Bearing  | 3,1 mm                 |
| 3   | HT6750     | 1    | Bearing  | 3,2 mm                 |
| 3   | HT6751     | 1    | Bearing  | 3,3 mm                 |
| 4   | HT6217     | 1    | Bearing  | 3,0 mm                 |
| 4   | HT6758     | 1    | Bearing  | 3,1 mm                 |
| 4   | HT6759     | 1    | Bearing  | 3,2 mm                 |
| 4   | HT6760     | 1    | Bearing  | 3,3 mm                 |
| 5   | HBK 129    | 1    | Bearing ring   |                        |
| 6   | ES 264     | 3    | Screw  | M8x16 ISO4762- 8.8     |
| 7   | ES 265     | 5    | Screw  | M 8x20 ISO4762- 8.8    |
| 8   | HXL 020    | 1    | Hose ring (H)  | d=100 mm               |
| 9   | HXV 407    | 2    | Lever cpl. (R1,R2)                                   |                        |
| 10  | EA1391     | 1    | High pressure filter                                 |                        |
|     | TD 513     | 1    | Seal kit   |                        |
|     | EA1392     | 1    | Filter element                                       |                        |
|     | BZ204S     | 1    | Filter element, cpl.                                 |                        |
| 11  | HXE1863    | 1    | Bracket  |                        |
| 12  | ES1082     | 2    | Screw  | M 8x12 DIN 7984 8.8    |
| 13  | ES1172     | 4    | Screw  | M 10x40 DIN 912        |
| 14  | HXE2022    | 1    | Armrest  |                        |
| 15  | EM 006     | 4    | Nut  | DIN 934 M10 CL8 ZB     |
| 16  | HXE1794    | 1    | Bracket  |                        |
| 17  | HXE2213    | 1    | Bracket  |                        |
| 18  | S106G04-A  | 1    | Base   |                        |
| 19  | KMG00...A  | 2    | Latch housing, cpl. (page 020.0200) (look KMG00303A) |                        |
| 20  | HA5934     | 1    | Bracket  | RC400                  |
| 21  | EM 026     | 4    | Nut  | M 8 DIN 985            |
| 22  | HXE1860    | 1    | Bracket  | RC                     |
| 22  | HXE1860A   | 1    | Bracket (RC400-P2,BMS-2)                             |                        |
| 23  | ES 374     | 4    | Screw  | M 8x12 ISO4762- 8.8    |
| 24  | HXE1796    | 1    | Bracket  | PALTRONIC              |
| 25  | HXV 398    | 1    | Latch housing, cpl.                                  |                        |
| 26  | HX 463     | 1    | Bushing  |                        |
| 27  | HBA 096    | 1    | Bushing  |                        |
| 28  | EF 081     | 1    | Pressure spring                                      | D 20,5x1,5x115         |
| 29  | HI 916     | 1    | Pin  |                        |
| 30  | EZ 253     | 1    | Handle   |                        |
| 31  | HA2210     | 1    | Pin  |                        |
| 32  | EQ 299     | 1    | Adapter sleeve                                       | D 4x18 DIN 1481        |
| 33  | EA 412     | 1    | Grease nipple  | M 6x1 H1 71412         |
| 34  | HXS 021    | 1    | Safety chain   |                        |
| 35  | EA1392     | 1    | Filter element                                       |                        |
|     | BZ204S     | 0    | Filter element, cpl. (page 100.0100)                 |                        |
| 37  | EA2169     | 1    | Filter element                                       |                        |
| 38  | HT7778     | 1    | Folding arrow  |                        |
| 39  | EK 190     | 1    | Washer   | DIN134-06-ST           |
| 40  | ES1150     | 1    | Screw  | M 6x12 - 8.8 - ISO4762 |
| 41  | HA7841     | 1    | Bearer   |                        |
| 42  | EQ 007     | 2    | Hose clamp   | D 110-130              |



Catcher

| No. | Spare part | Qty. | Description     | Dimension           |
|-----|------------|------|-----------------|---------------------|
| 1   | ES 291     | 1    | Screw           | M 5x35 ISO4762- 8.8 |
| 2   | EK 153     | 1    | Washer          | DIN134-05-ST        |
| 3   | EK1072     | 1    | Handle          |                     |
| 4   | ES1329     | 1    | Screw           | M6x20 ISO14581- 8.8 |
| 5   | EK 567     | 1    | Washer          | D 6                 |
| 6   | EK1071     | 1    | Cover           |                     |
| 7   | ES 451     | 1    | Screw           | 3.9x9.5 DIN 968     |
| 8   | EK1073     | 1    | Cover           |                     |
| 9   | EQ 352     | 2    | Circlip         | D 18 DIN 471        |
| 10  | EK1033     | 1    | Bracket         |                     |
| 11  | HI7209     | 1    | Pin             |                     |
| 12  | HT6976     | 1    | Safety plate    |                     |
| 13  | EF 168     | 1    | Spring          |                     |
| 14  | EA1240     | 1    | Grease nipple   | M 6x1 H3 71412      |
| 15  | EF 081     | 1    | Pressure spring | D 20,5x1,5x115      |
| 16  | HI3064     | 1    | Pin             |                     |
| 17  | EEA4020    | 1    | Sensor Closer   | M 12x1 - M 12x1     |
| 18  | EF 199     | 1    | Spring          |                     |

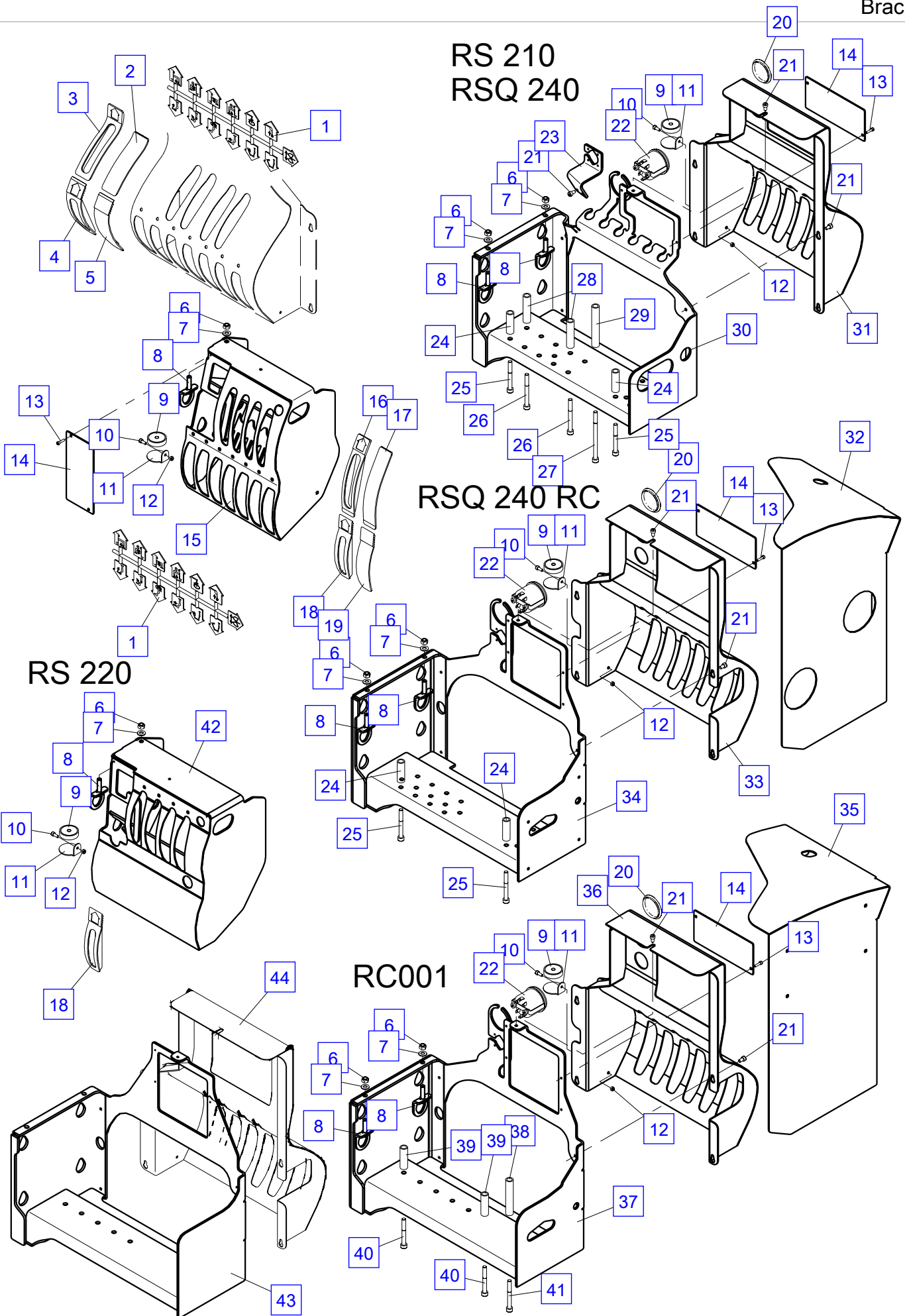




Brackets

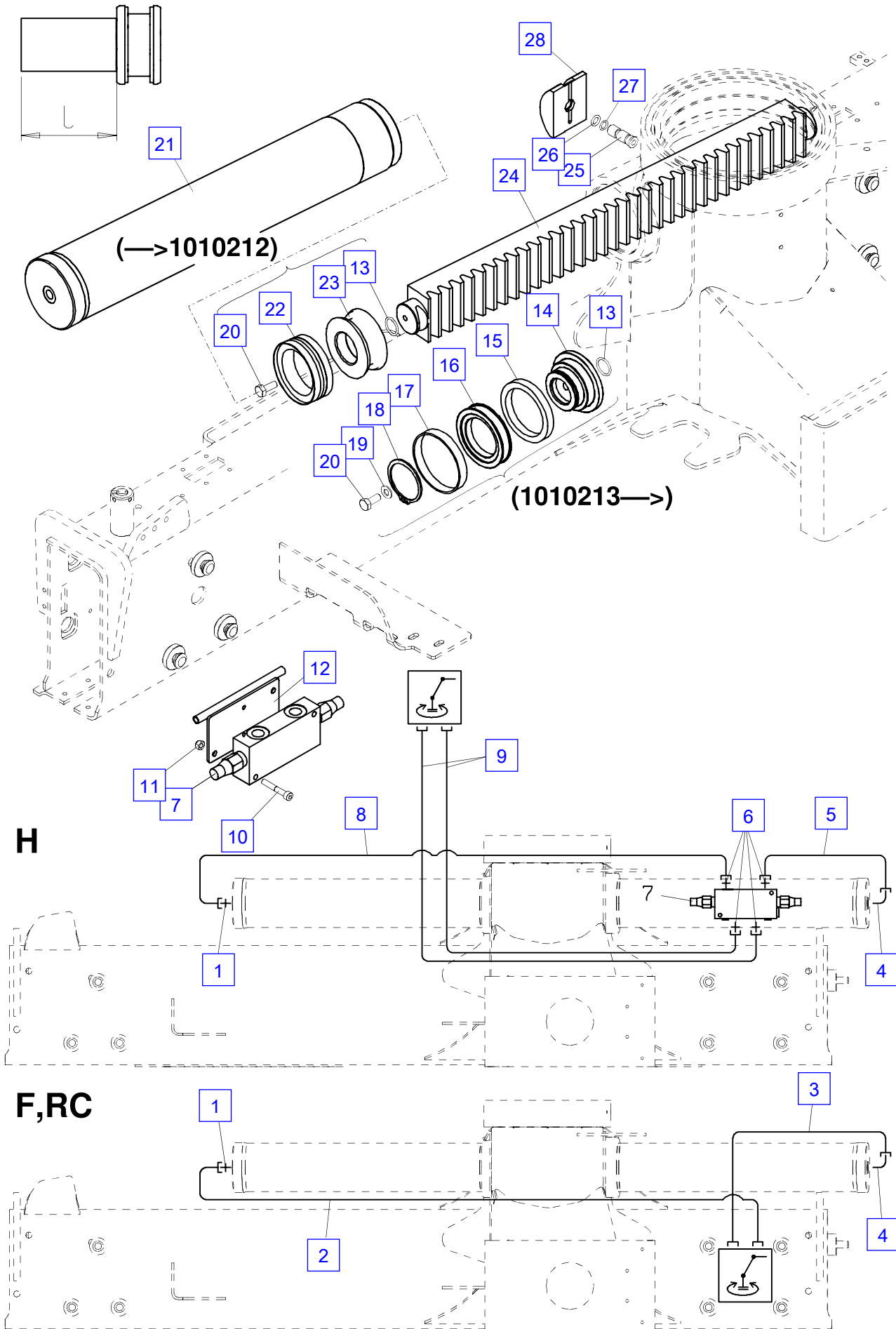
| No. | Spare part | Qty. | Description   | Dimension            |
|-----|------------|------|---------------|----------------------|
| 1   | EK 898     | 0    | Control decal |                      |
| 2   | EK 894     | 0    | Cover         |                      |
| 3   | EK 893     | 0    | Frame         |                      |
| 4   | EK 889     | 0    | Frame         |                      |
| 5   | EK 890     | 0    | Cover         |                      |
| 6   | EM 026     | 0    | Nut           | M 8 DIN 985          |
| 7   | EK 003     | 0    | Washer        | D 8.4 ISO7089        |
| 8   | HXE1684    | 0    | Bearer        |                      |
| 9   | EK 756     | 0    | Inclinometer  |                      |
| 10  | ES 061     | 0    | Screw         | M 5x12 ISO4762- 8.8  |
| 11  | HA3962     | 0    | Bearer        |                      |
| 12  | EM 040     | 0    | Nut           | DIN985-8 M5          |
| 13  | ES 393     | 0    | Screw         | M 4x10 DIN 84        |
| 14  | HT6718     | 0    | Cover plate   | L0175.1xB0080.0xS002 |
| 15  | HXE1794    | 1    | Bracket       |                      |
| 16  | EK 895     | 0    | Frame         |                      |
| 17  | EK 896     | 0    | Cover         |                      |
| 18  | EK 891     | 0    | Frame         |                      |
| 19  | EK 892     | 0    | Cover         |                      |
| 20  | EK1031     | 0    | Cover         |                      |
| 21  | ES 414     | 0    | Screw         | M6x10 ISO4762 - 8.8  |
| 22  | EEA3427    | 0    | Hour meter    |                      |
| 23  | HA7465     | 1    | Bearer        |                      |
| 24  | HBS1819    | 0    | Spacer        | l=50 mm              |
| 25  | ES1157     | 0    | Screw         | M8x70 DIN 912        |
| 26  | ES1159     | 0    | Screw         | M 8x80 ISO4762- 8.8  |
| 27  | ES1165     | 1    | Screw         | M 8x120 DIN 912      |
| 28  | HBS2786    | 2    | Spacer        | l=66 mm              |
| 29  | HBS2783    | 1    | Spacer        | l=101 mm             |
| 30  | HXE2213    | 1    | Bracket       |                      |
| 31  | HXE2212    | 1    | Bracket       |                      |
| 32  | HXE2044    | 1    | Cover         |                      |
| 33  | HXE2675    | 1    | Valve bracket |                      |
| 33  | HXE 223    | 1    | Valve bracket |                      |
| 34  | HXE2676    | 1    | Valve bracket |                      |
| 35  | HXE2045    | 1    | Cover         |                      |
| 36  | HXE2210    | 1    | Bracket       | RC001                |
| 37  | HXE2211    | 1    | Bracket       | RC001                |
| 38  | HBS2887    | 1    | Spacer        | L=87 mm              |
| 39  | HBS2886    | 0    | Spacer        | L=52 mm              |
| 40  | ES1155     | 0    | Screw         | M 8x65 ISO4762- 8.8  |
| 41  | ES1161     | 1    | Screw         | M 8x100 ISO4762- 8.8 |
| 42  | HXE 218    | 1    | Bracket       |                      |
| 43  | HXE1821    | 1    | Bracket       | RC001                |
| 44  | HXE1822    | 1    | Bracket       | RC001                |

Brackets



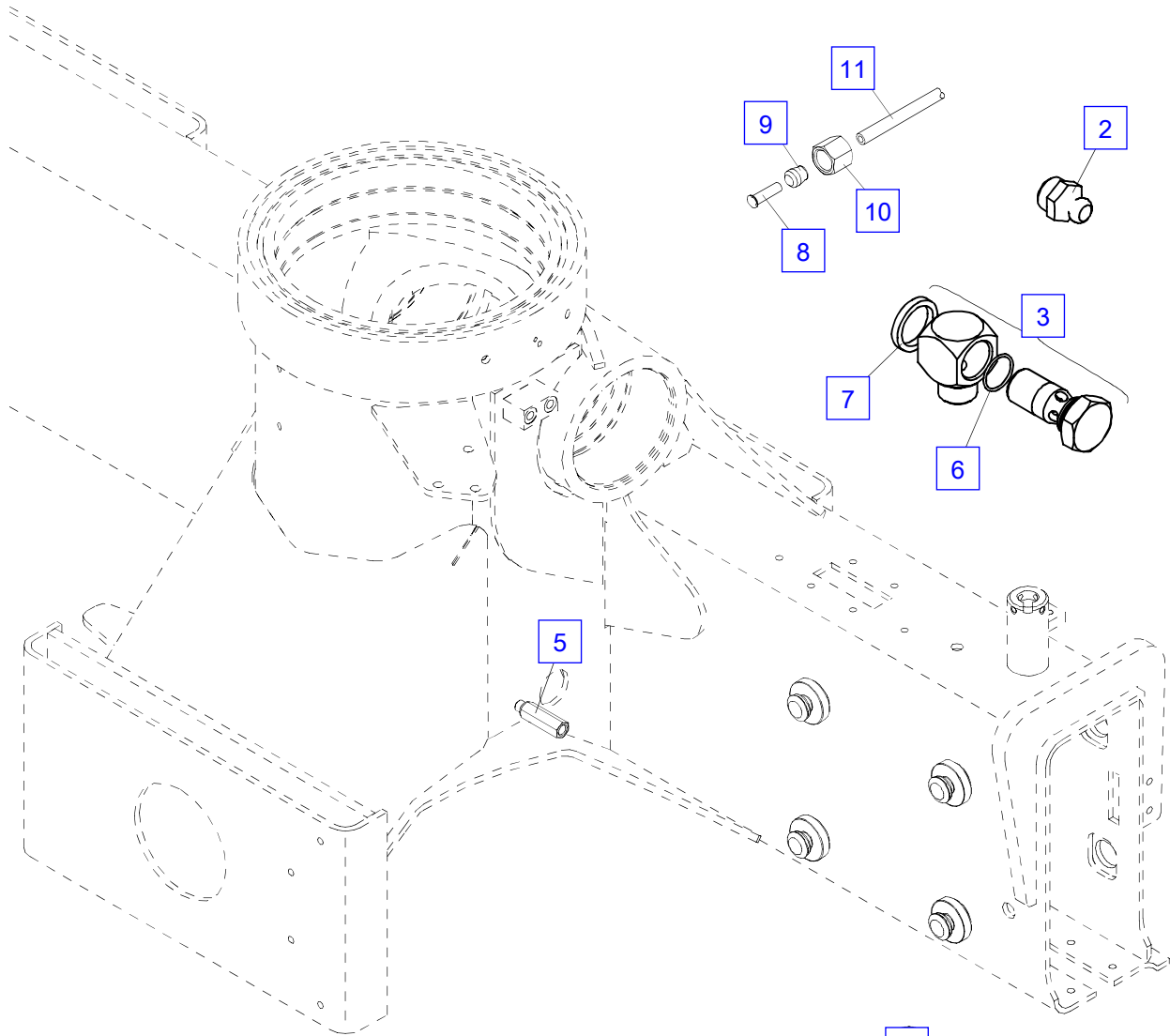
Slewing system

| No. | Spare part    | Qty. | Description                                  | Dimension           |
|-----|---------------|------|--|---------------------|
| 1   | EA 039        | 1    | Fitting                                      | GE 12S R3/8"-ED     |
| 2   | HLR 8769      | 1    | Pipe<br>(F)                                  | D 12                |
| 2   | HLR12400      | 1    | Pipe<br>(RSQ 240 RC)                         | D 12                |
| 2   | HLR 8866      | 1    | Pipe<br>(RC001)                              | D 12                |
| 3   | HLR 8768      | 1    | Pipe<br>(F)                                  | D 12                |
| 3   | HLR12401      | 1    | Pipe<br>(RSQ 240 RC)                         | D 12                |
| 3   | HLR 8865      | 1    | Pipe<br>(RC001)                              | D 12                |
| 4   | EA1749        | 1    | Adaptor                                      | WEE 12S 3/8"        |
| 5   | HLR 8791      | 1    | Pipe   | D 12                |
| 6   | EA 183        | 4    | Fitting                                      | GE 12S R1/2"-ED     |
| 7   | EV5037-160    | 1    | Load holding valve                           | 160 bar             |
|     | TD1001        | 1    | Seal kit                                     |                     |
| 8   | HLR 8792      | 1    | Pipe   | D 12                |
| 9   | EH4902        | 2    | Pressure hose                                | NW 8x2950           |
| 10  | ES 432        | 2    | Screw  | M 8x50 ISO4762- 8.8 |
| 11  | EM 026        | 2    | Nut  | M 8 DIN 985         |
| 12  | HXE 509       | 1    | Bracket                                      |                     |
| 13  | EO 035        | 2    | O-ring                                       | D 24,2x3            |
| 14  | HK 652        | 2    | Piston                                       | L= 42mm             |
| 14  | HK 670        | 2    | Limit of rotation 190 degree<br>(190 degree) | l=154 mm            |
| 14  | HK 671        | 2    | Limit of rotation 210 degree<br>(210 degree) | l=139 mm            |
| 15  | ED1228        | 2    | Seal ring                                    | 100x80x12.5 mm      |
| 16  | HK 653        | 2    | Piston                                       |                     |
| 17  | EG 111        | 2    | Guide ring                                   | 100x95x14.8 mm      |
| 18  | EQ 132        | 2    | Circlip                                      | DIN 471 65X2,5 OT   |
| 19  | EK 007        | 2    | Washer                                       | D 10.5 ISO7089      |
| 20  | ES1444        | 2    | Screw  | M10x1x25 DIN 961    |
| 21  | HY1392A+00001 | 2    | Cylinder tube (Standard colour RAL 2002)     |                     |
| 22  | ED 064        | 2    | Piston seal                                  |                     |
| 23  | HK 064        | 2    | Piston                                       |                     |
| 23  | HXE1918       | 2    | Slew limitation<br>(200 degree)              | l=147.5 mm          |
| 23  | SK458-4002    | 2    | Slew limitation<br>(250 degree)              | l=110.5 mm          |
| 24  | HZS 089       | 1    | Rack   |                     |
| 25  | HIG 228       | 1    | Grease tube                                  | D016.0xL0055.0      |
| 26  | EO 130        | 1    | O-ring                                       | D 11x3,5            |
| 27  | EO 027        | 1    | O-ring                                       | D 11,3x2,4          |
| 28  | EZ1208        | 1    | Guide block                                  |                     |

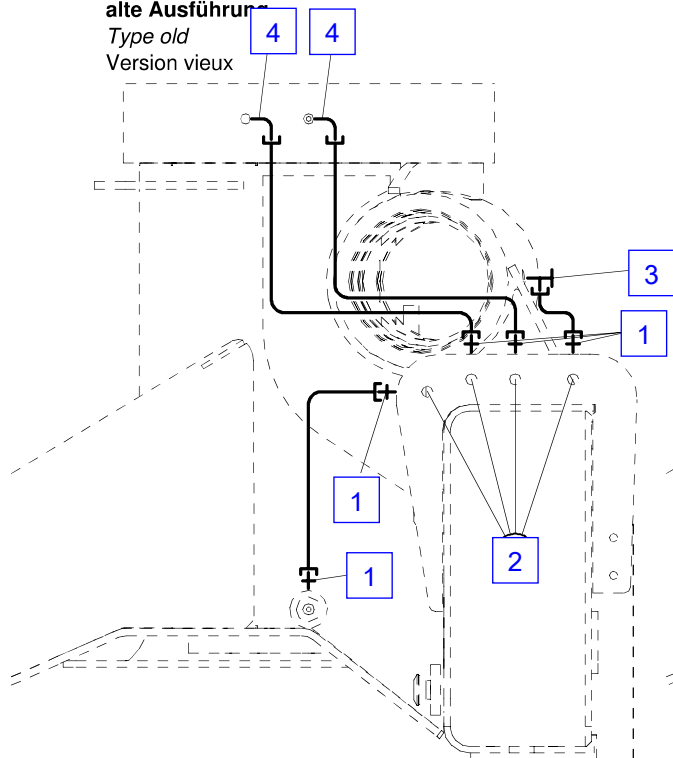


Pipes-Lube system

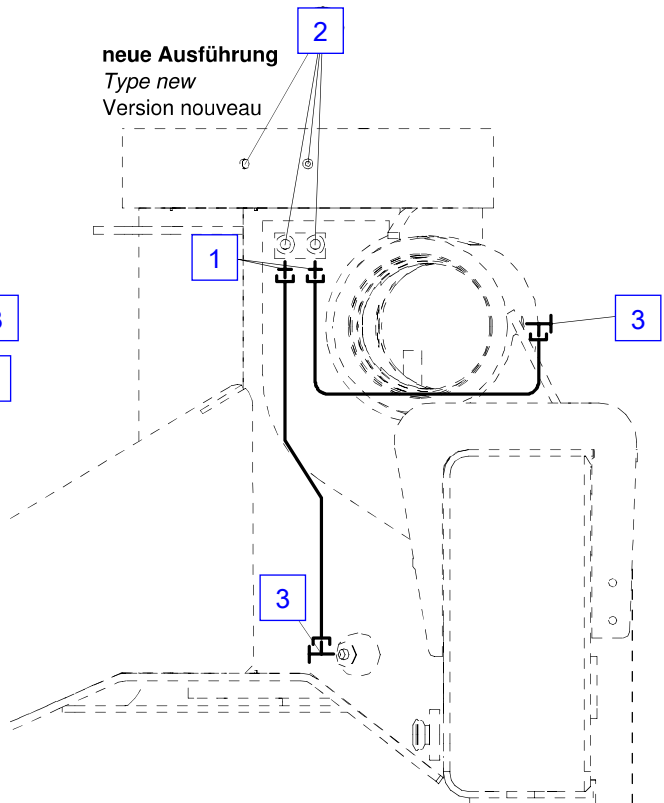
| No. | Spare part | Qty. | Description                          | Dimension       |
|-----|------------|------|--------------------------------------|-----------------|
| 1   | EA 002     | 5    | Fitting                              | GE 6L M10x1-ED  |
| 2   | EA 005     | 4    | Grease nipple                        | M10x1 DIN71412  |
| 2   | EA 558     | 4    | Grease nipple<br>(Standing platform) | M 10x1 DIN71412 |
| 3   | EA 001     | 2    | Adaptor                              | WH 06L M 10x1   |
| 4   | EA 623     | 2    | Fitting                              | WE 06-LM        |
| 5   | HLA1098    | 1    | Fitting                              |                 |
| 6   | EO 547     | 1    | O-ring                               | D 9,3x1,5       |
| 7   | ED 391     | 1    | Sealing ring                         | KD M10          |
| 8   | EA1079     | 8    | Bushing                              | E 6/3           |
| 9   | EA 265     | 8    | Cutting ring                         | D 6 S           |
| 10  | EA 641     | 8    | Nut                                  | M 6 L           |
| 11  | EH1434     | 0    | Grease hose<br>(sold by the meter)   |                 |



**alte Ausführung**  
 Type old  
 Version vieux



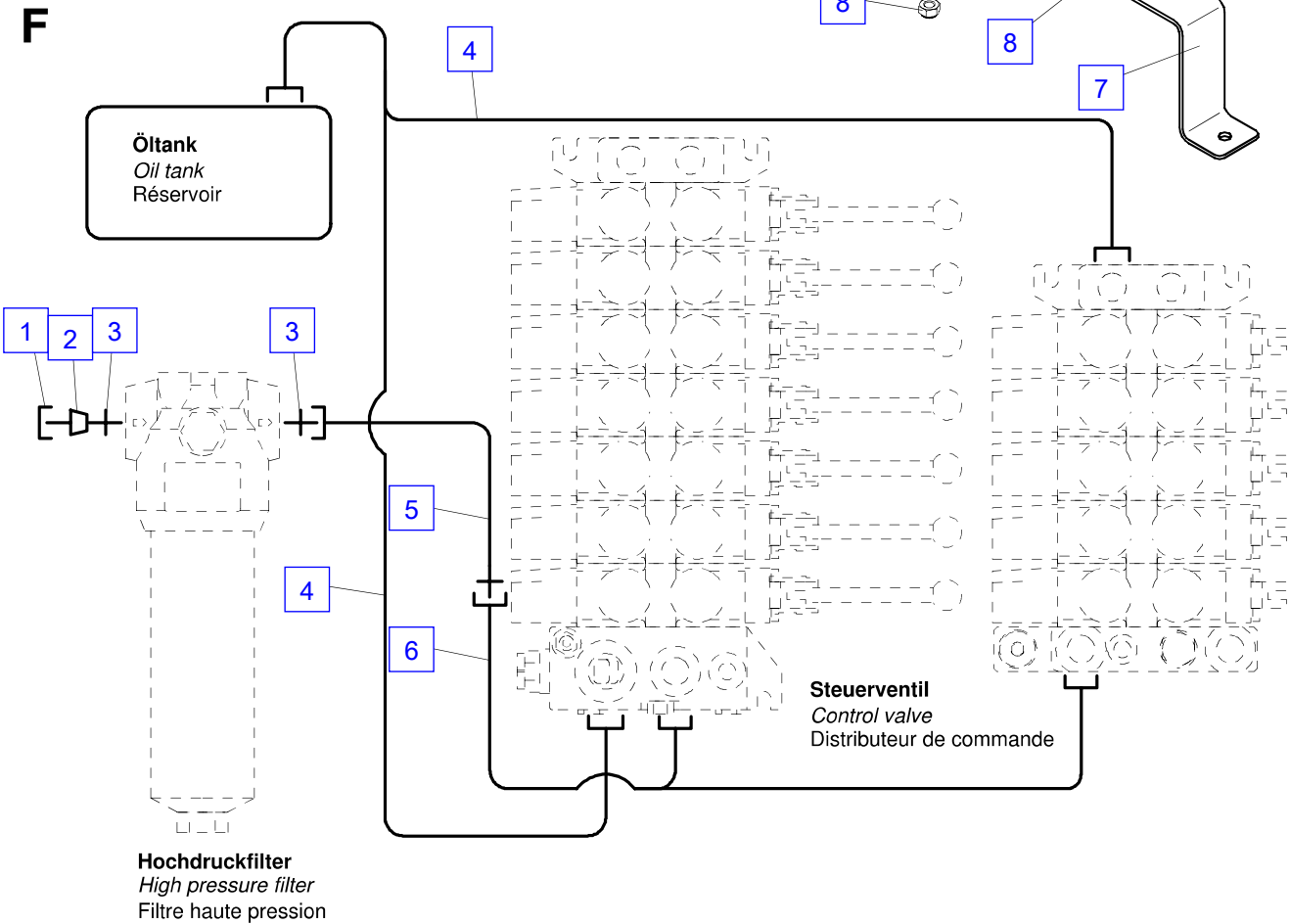
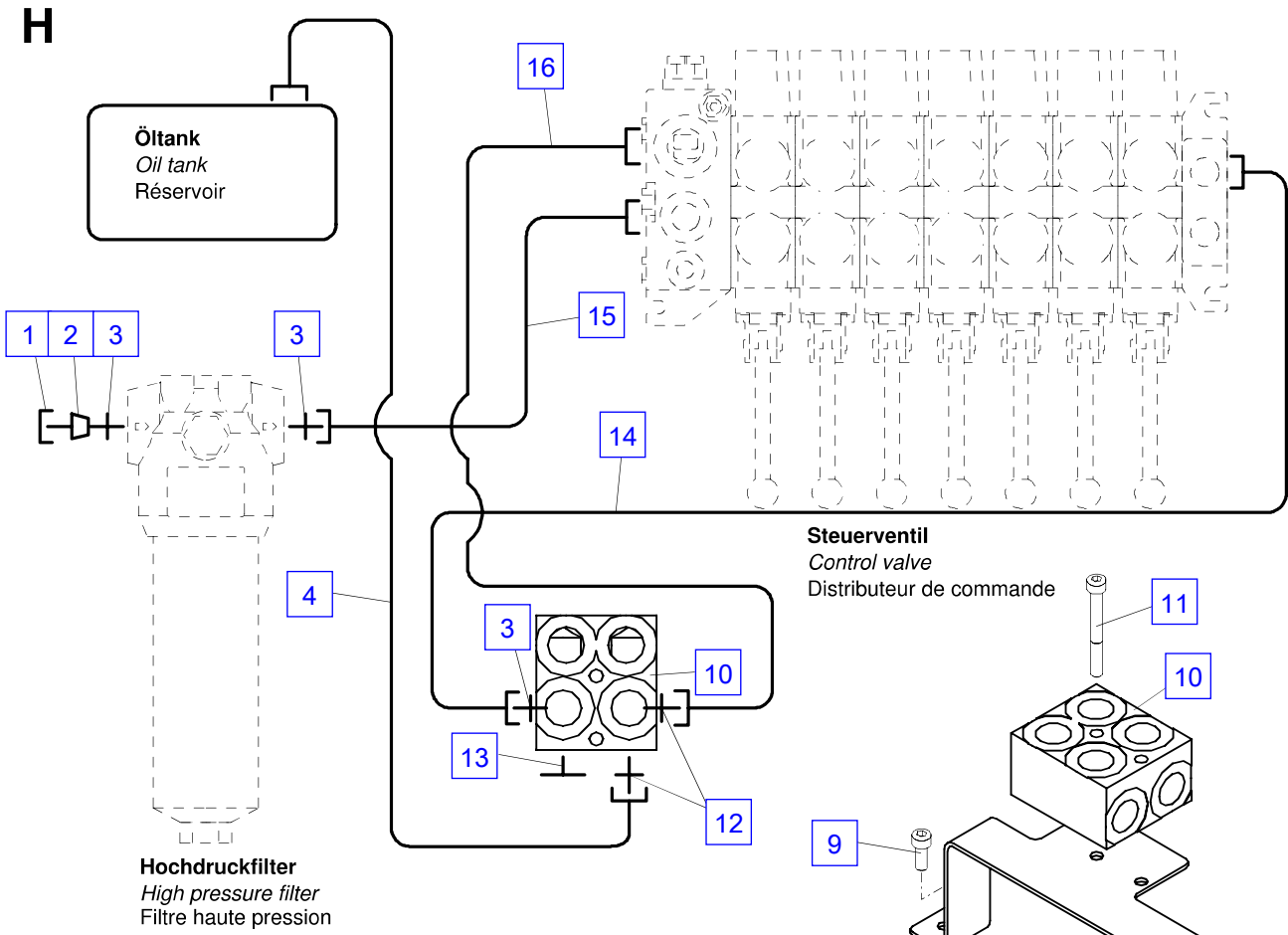
**neue Ausführung**  
 Type new  
 Version nouveau



Pipes-Control F,H

| No. | Spare part | Qty. | Description   | Dimension           |
|-----|------------|------|---------------|---------------------|
| 1   | EA 045     | 1    | Nut           | M 16-S - M 24x1,5   |
| 2   | EA 343     | 1    | Blind plug    | BUZ 16 S            |
| 3   | EA 033     | 3    | Fitting       | GE 16 SR 3/4"ED     |
| 4   | EH1175     | 1    | Hose          | NW 16x1100          |
| 5   | EH6000     | 1    | Hose          | NW 12x700           |
| 6   | HLR10217   | 1    | Pipe          | D 16                |
| 7   | HA2673     | 1    | Bearer        |                     |
| 8   | EM 026     | 4    | Nut           | M 8 DIN 985         |
| 9   | ES 265     | 2    | Screw         | M 8x20 ISO4762- 8.8 |
| 10  | HG 167     | 1    | Housing       |                     |
| 11  | ES 059     | 2    | Screw         | M 8x70 DIN 912      |
| 12  | EA 243     | 2    | Fitting       | GE 18 L R3/4"       |
| 13  | ES 111     | 1    | Locking screw | VSTI R3/4"          |
| 14  | EH1973     | 1    | Hose          | NW 12x3000          |
| 15  | EH4894     | 1    | Pressure hose | NW 12x3050          |
| 16  | EH4901     | 1    | Pressure hose | NW 16x3000          |

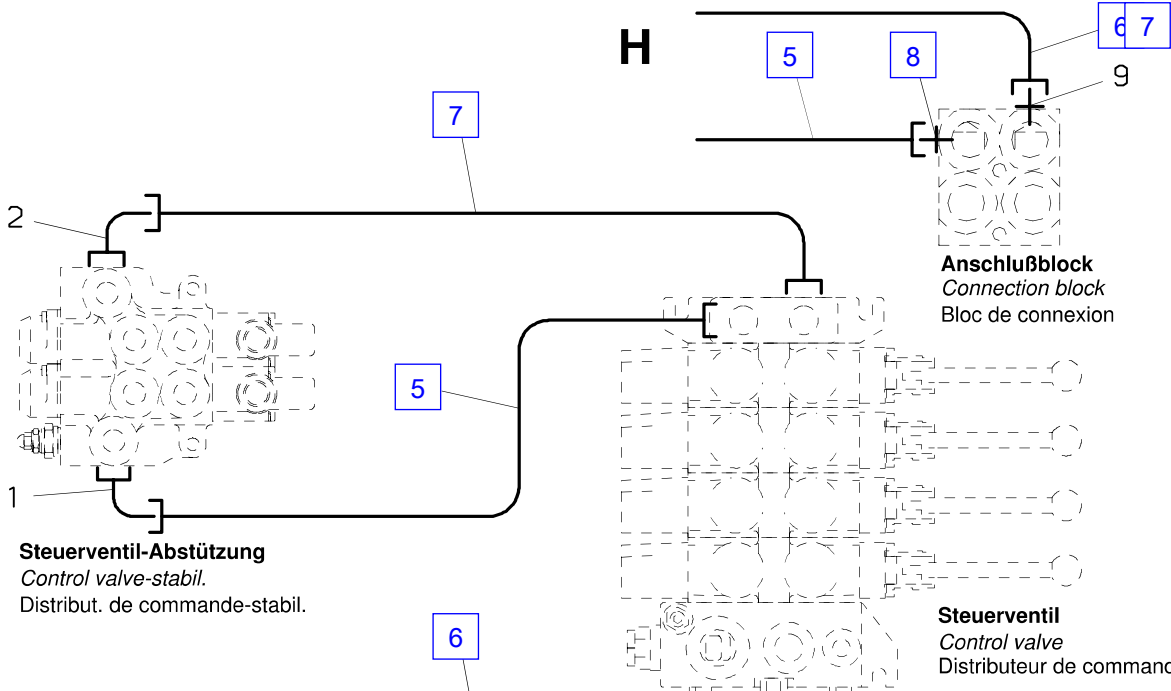




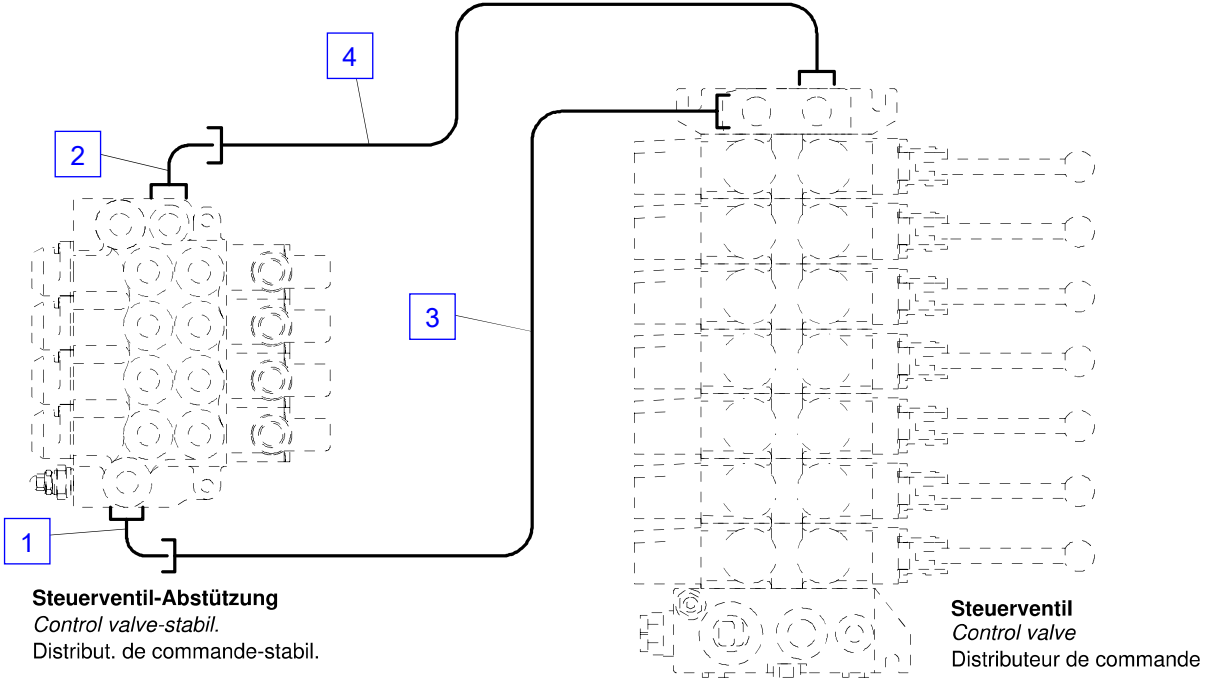
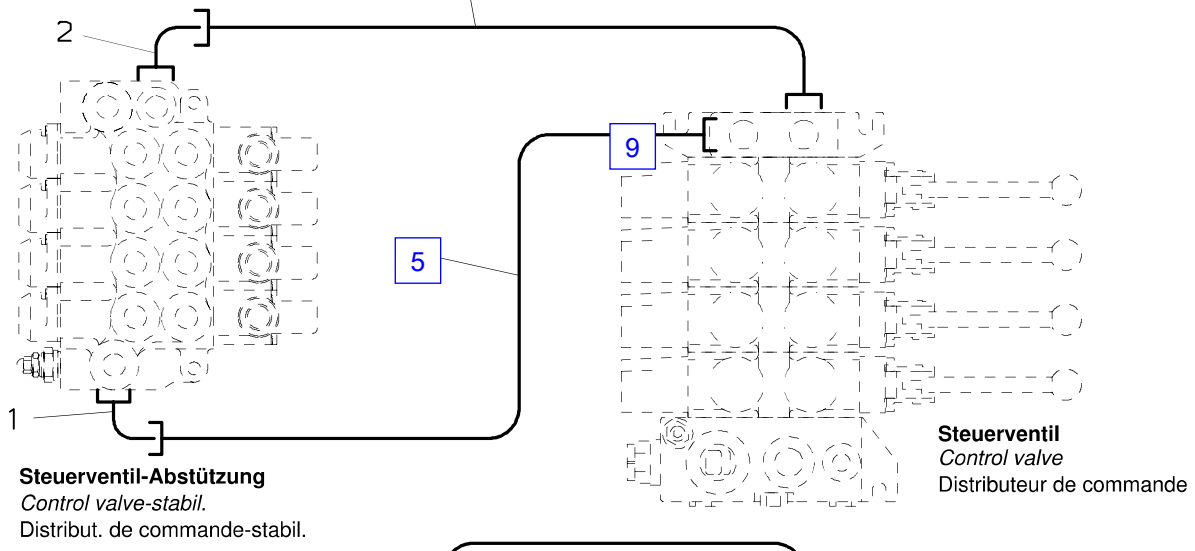
## Pipes-Control F,H

| No. | Spare part | Qty. | Description   | Dimension       |
|-----|------------|------|---------------|-----------------|
| 1   | EA 019     | 1    | Angle fitting | EW 16S          |
| 2   | EA 237     | 1    | Angle fitting | EW 18 L         |
| 3   | HLR 8778   | 1    | Pipe          | D 16            |
| 4   | HLR 8779   | 1    | Pipe          | D 18            |
| 5   | HLR 8789   | 1    | Pipe          | D 16            |
| 6   | HLR 8800   | 1    | Pipe          | D 18            |
| 7   | HLR 8790   | 1    | Pipe          | D 18            |
| 8   | EA 033     | 1    | Fitting       | GE 16 SR 3/4"ED |
| 9   | EA 243     | 1    | Fitting       | GE 18 L R3/4"   |

**F**

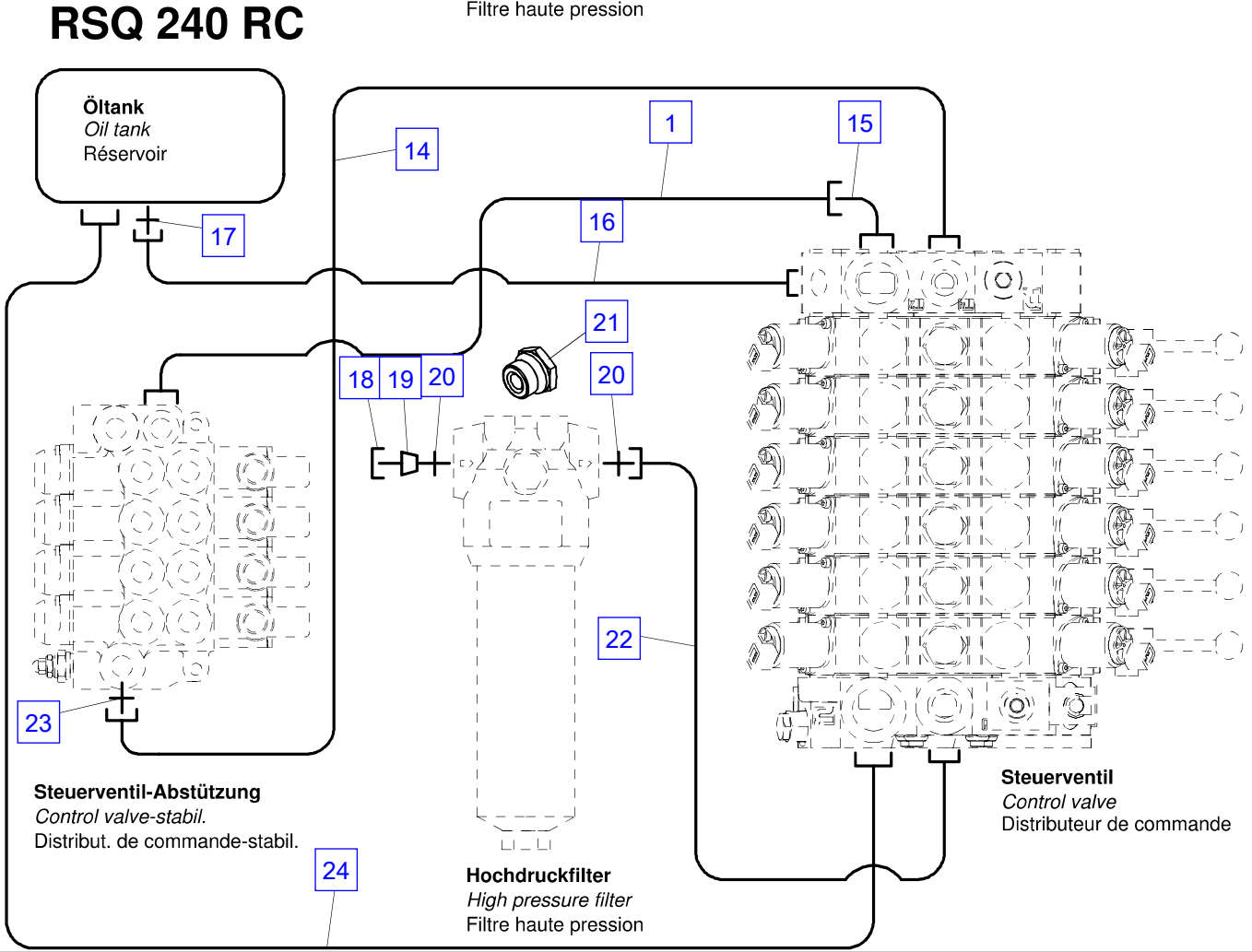
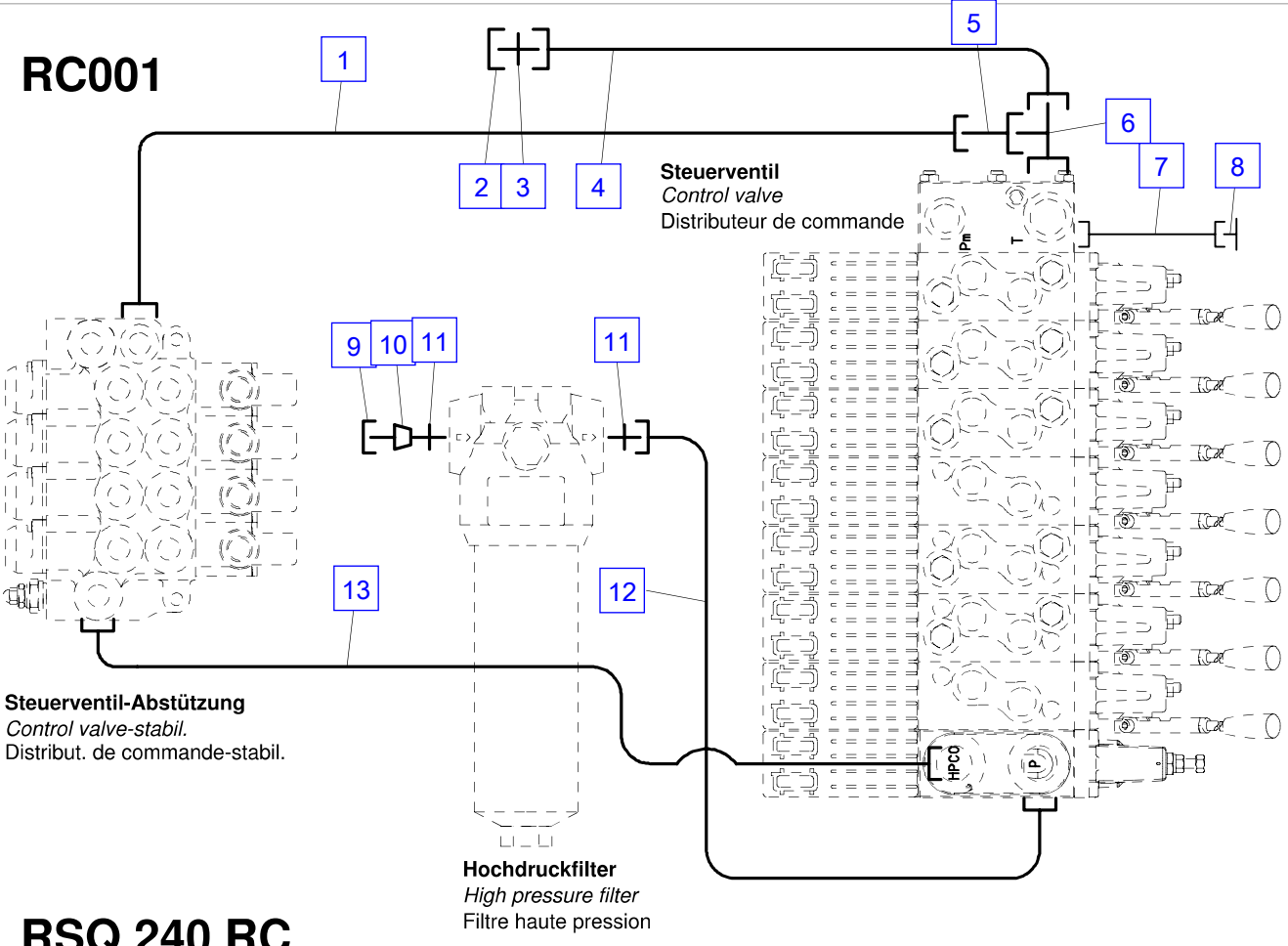


**H**



Pipes-Control RC

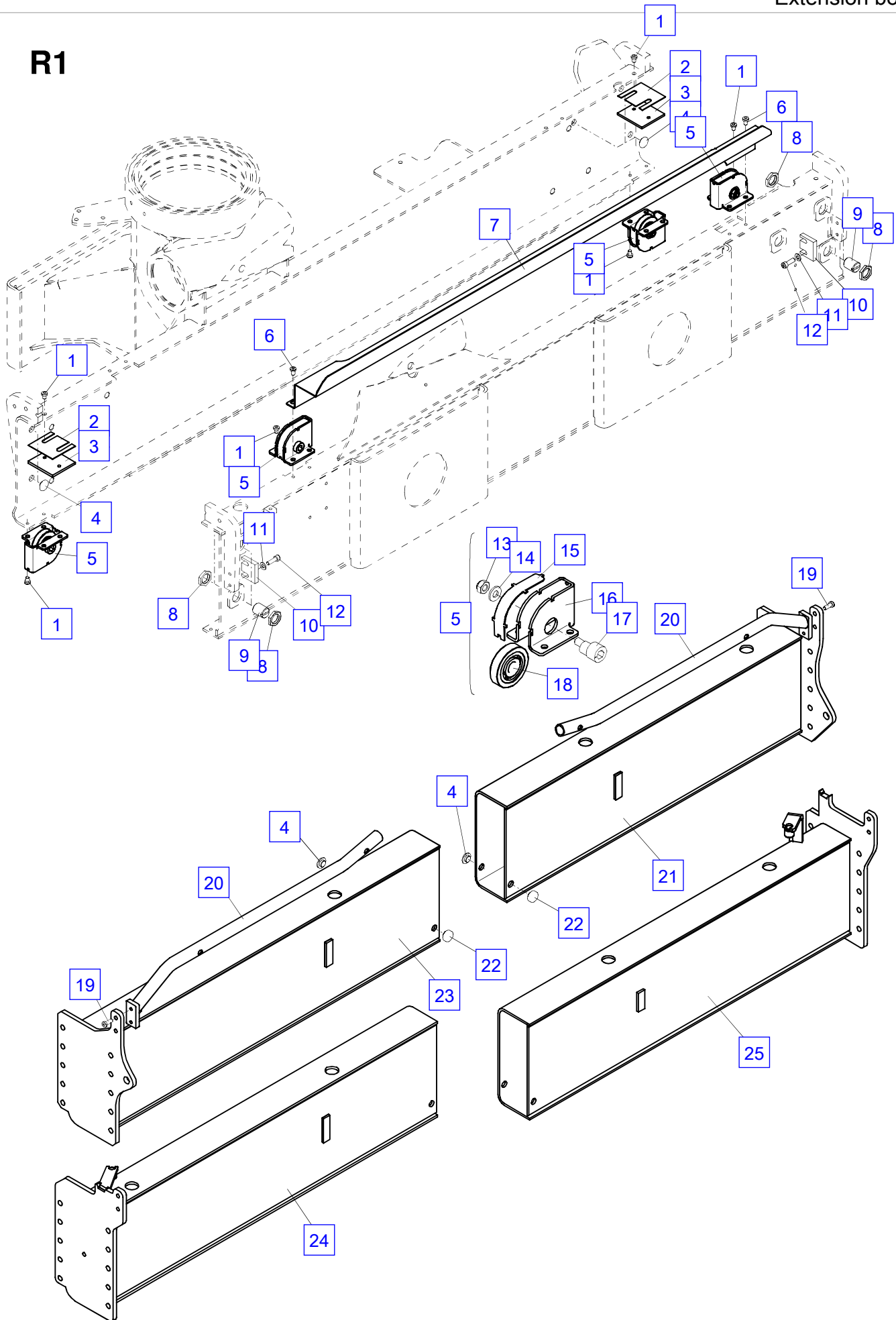
| No. | Spare part | Qty. | Description               | Dimension         |
|-----|------------|------|---------------------------|-------------------|
| 1   | EH4921     | 1    | Hose                      | NW 16x1700        |
| 2   | HLA 461    | 1    | Plug                      | VM 22-L           |
| 3   | EA 323     | 1    | Fitting                   | GE 22-L           |
| 4   | EH3363     | 1    | Hose                      | NW 20x1100        |
| 5   | EA 577     | 1    | Reduction                 | KOR 22-18 L       |
| 6   | EA 327     | 1    | L-Coupling                | evL 22 L          |
| 7   | EH1583     | 1    | Hose                      | NW 6x1500         |
| 8   | EA1462     | 1    | Blanking part             | ROV-8S            |
| 9   | EA 106     | 1    | Nut                       | M 20 S            |
| 10  | EA 345     | 1    | Blind plug                | VKA 20            |
| 11  | EA 097     | 2    | Fitting                   | GE 20S R3/4"-ED   |
| 11  | EA 754     | 2    | Fitting                   | GE 20S R1/1"      |
| 12  | EH1873     | 1    | Hose                      | NW 16x700         |
| 13  | EH1036     | 1    | Hose                      | NW 12x2000        |
| 14  | EH5038     | 1    | Hose                      | NW 10x1900        |
| 15  | EA 237     | 1    | Angle fitting             | EW 18 L           |
| 16  | EH4891     | 1    | Hose                      | NW 6x1550         |
| 17  | EA 190     | 1    | Fitting                   | GE 10L R3/8"-ED   |
| 18  | EA 045     | 1    | Nut                       | M 16-S - M 24x1,5 |
| 19  | EA 343     | 1    | Blind plug                | BUZ 16 S          |
| 20  | EA 033     | 2    | Fitting                   | GE 16 SR 3/4"ED   |
| 21  | EA 226     | 2    | Reduction<br>(for EA2168) | RI 1"-3/4"        |
| 22  | EH1565     | 1    | Hose                      | NW 12x700         |
| 23  | EA 039     | 1    | Fitting                   | GE 12S R3/8"-ED   |
| 24  | EH1175     | 1    | Hose                      | NW 16x1100        |



Extension box-R1

| No. | Spare part | Qty. | Description        | Dimension           |
|-----|------------|------|--------------------|---------------------|
| 1   | ES1089     | 16   | Screw              | M 8x10 DIN 7984 8.8 |
| 2   | HTR1529    | 2    | Shim plate         | 1 mm                |
| 3   | HTR1427    | 2    | Shim plate         | 5 mm                |
| 4   | HF 050     | 7    | Guide              | 3 mm                |
| 5   | HXE1716    | 4    | Tread roller, cpl. |                     |
| 6   | ES1082     | 4    | Screw              | M 8x12 DIN 7984 8.8 |
| 7   | HA3499     | 1    | Hose tray          |                     |
| 8   | EM 180     | 8    | Nut                | M24x1,5             |
| 9   | HIG 653    | 4    | Guide              | l=28 mm             |
| 10  | HTR3550    | 2    | Guide piece        | 10 mm               |
| 11  | EK 340     | 4    | Washer             | D8 ISO7089-A2-HV140 |
| 12  | ES 006     | 4    | Screw              | M 8x25 ISO4762-10.9 |
| 13  | EM 021     | 1    | Nut                | DIN 985 M10 CL8 ZB  |
| 14  | EK 202     | 1    | Washer             | D 10,5 DIN 134      |
| 15  | HA6238     | 1    | Cover plate        |                     |
| 16  | HA6237     | 1    | Bearer             |                     |
| 17  | HR 226     | 1    | Eccentric bolt     |                     |
| 18  | ELW 268    | 1    | Tread roller       | D=62 mm             |
| 19  | ES 308     | 4    | Screw              | M 8x20 DIN7984- 8.8 |
| 20  | HXE1764    | 2    | Stirrup            |                     |
| 21  | S105A11-A  | 1    | Extension box-R1   |                     |
| 22  | HF 007     | 2    | Guide              | 5 mm                |
| 22  | HF 795     | 2    | Guide              | 6 mm                |
| 22  | HF 345     | 2    | Guide              | 7 mm                |
| 23  | S106A10-A  | 1    | Extension box      |                     |
| 24  | S106A10-B  | 1    | Extension box      |                     |
| 25  | S105A11-B  | 1    | Outrigger-R1       |                     |

**R1**

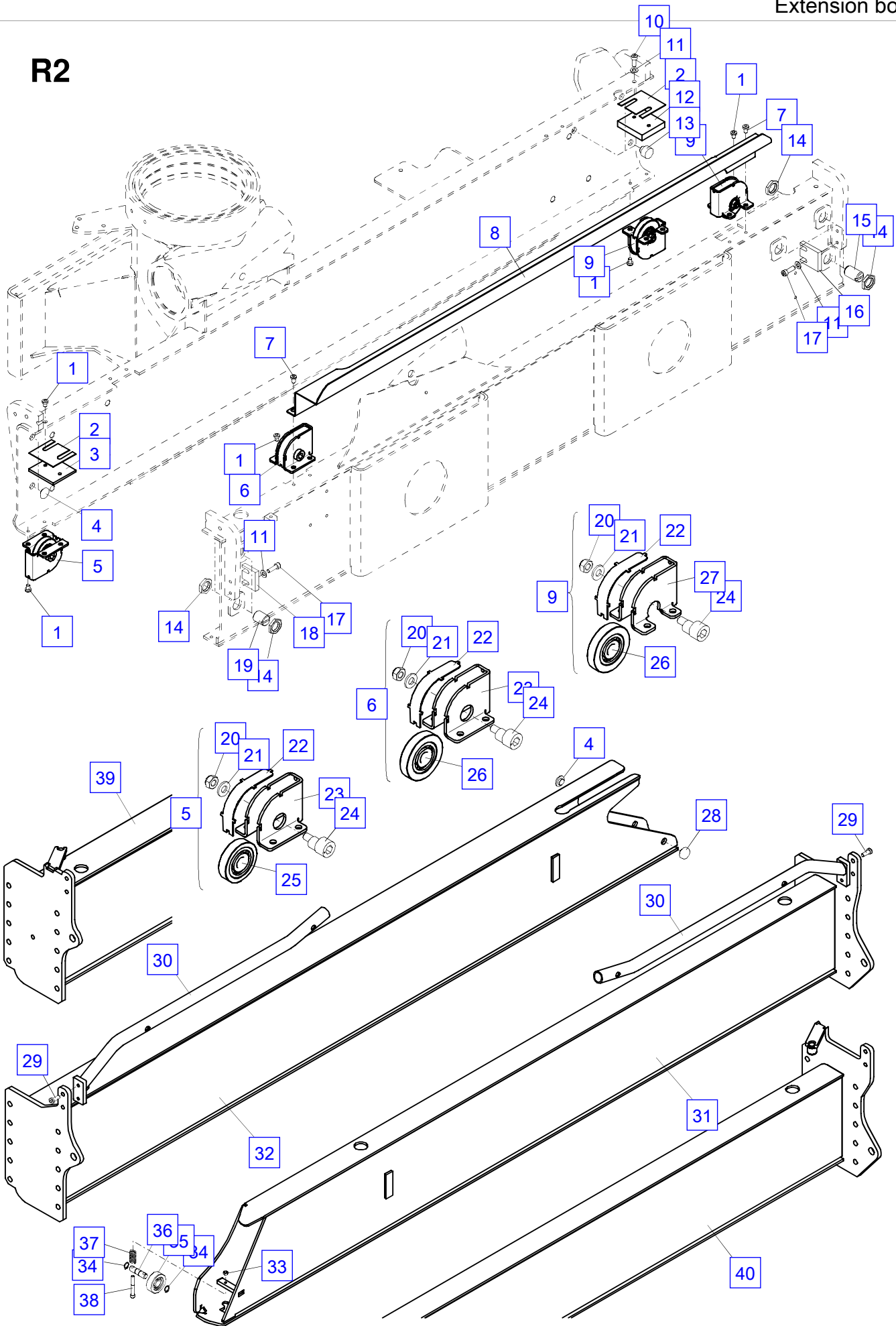


Extension box-R2

| No. | Spare part | Qty. | Description        | Dimension           |
|-----|------------|------|--------------------|---------------------|
| 1   | ES1089     | 14   | Screw              | M 8x10 DIN 7984 8.8 |
| 2   | HTR1529    | 0    | Shim plate         | 1 mm                |
| 3   | HTR1427    | 1    | Shim plate         | 5 mm                |
| 4   | HF 050     | 3    | Guide              | 3 mm                |
| 5   | HXE1716    | 1    | Tread roller, cpl. |                     |
| 6   | HXE1718    | 1    | Tread roller, cpl. |                     |
| 7   | ES1082     | 4    | Screw              | M 8x12 DIN 7984 8.8 |
| 8   | HA3499     | 1    | Hose tray          |                     |
| 9   | HXE1717    | 2    | Tread roller, cpl. |                     |
| 10  | ES 265     | 2    | Screw              | M 8x20 ISO4762- 8.8 |
| 11  | EK 340     | 6    | Washer             | D8 ISO7089-A2-HV140 |
| 12  | HTR3595    | 1    | Shim plate         | 15 mm               |
| 13  | HF 281     | 3    | Guide              | 13.5 mm             |
| 14  | EM 180     | 10   | Nut                | M24x1,5             |
| 15  | HIG 428    | 3    | Guide              | l=40 mm             |
| 16  | HTR3551    | 1    | Guide piece        | 10 mm               |
| 17  | ES 006     | 4    | Screw              | M 8x25 ISO4762-10.9 |
| 18  | HTR3550    | 1    | Guide piece        | 10 mm               |
| 19  | HIG 653    | 2    | Guide              | l=28 mm             |
| 20  | EM 021     | 3    | Nut                | DIN 985 M10 CL8 ZB  |
| 21  | EK 202     | 3    | Washer             | D 10,5 DIN 134      |
| 22  | HA6238     | 3    | Cover plate        |                     |
| 23  | HA6237     | 2    | Bearer             |                     |
| 24  | HR 226     | 3    | Eccentric bolt     |                     |
| 25  | ELW 268    | 1    | Tread roller       | D=62 mm             |
| 26  | ELW 269    | 2    | Ball bearing       | D=70 mm             |
| 27  | HA6236     | 1    | Bearer             |                     |
| 28  | HF 007     | 1    | Guide              | 5 mm                |
| 28  | HF 795     | 1    | Guide              | 6 mm                |
| 28  | HF 345     | 1    | Guide              | 7 mm                |
| 29  | ES 308     | 4    | Screw              | M 8x20 DIN7984- 8.8 |
| 30  | HXE1764    | 2    | Stirrup            |                     |
| 31  | S106A21-A  | 1    | Outrigger-R2       |                     |
| 32  | S106A20-A  | 1    | Outrigger-R2       |                     |
| 33  | EM 014     | 2    | Nut                | DIN 985-8 M 6       |
| 34  | EQ 043     | 2    | Circlip            | D 12 DIN 471        |
| 35  | HR 124     | 1    | Tread roller       | D 47 mm             |
| 36  | HI 521     | 1    | Pin                |                     |
| 37  | EF 024     | 2    | Pressure spring    |                     |
| 38  | ES 100     | 2    | Screw              | M 6x60 DIN 6912     |
| 39  | S106A20-B  | 1    | Extension box      |                     |
| 40  | S106A21-B  | 1    | Extension box      |                     |



**R2**

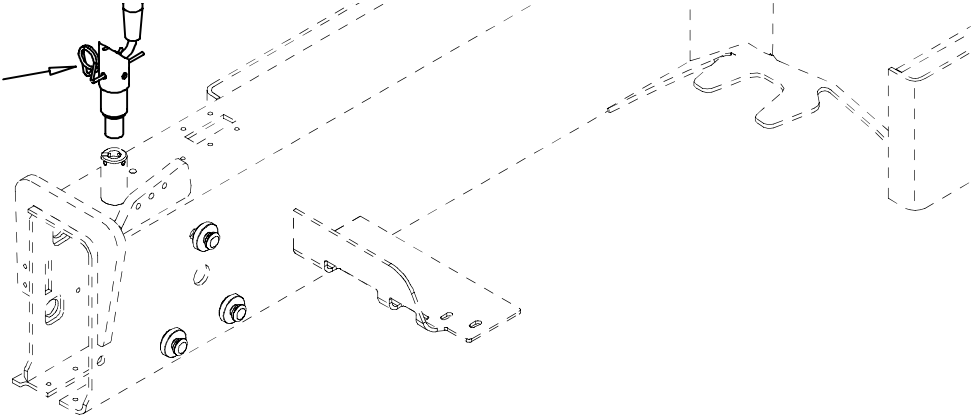


Pipes-R1,R2

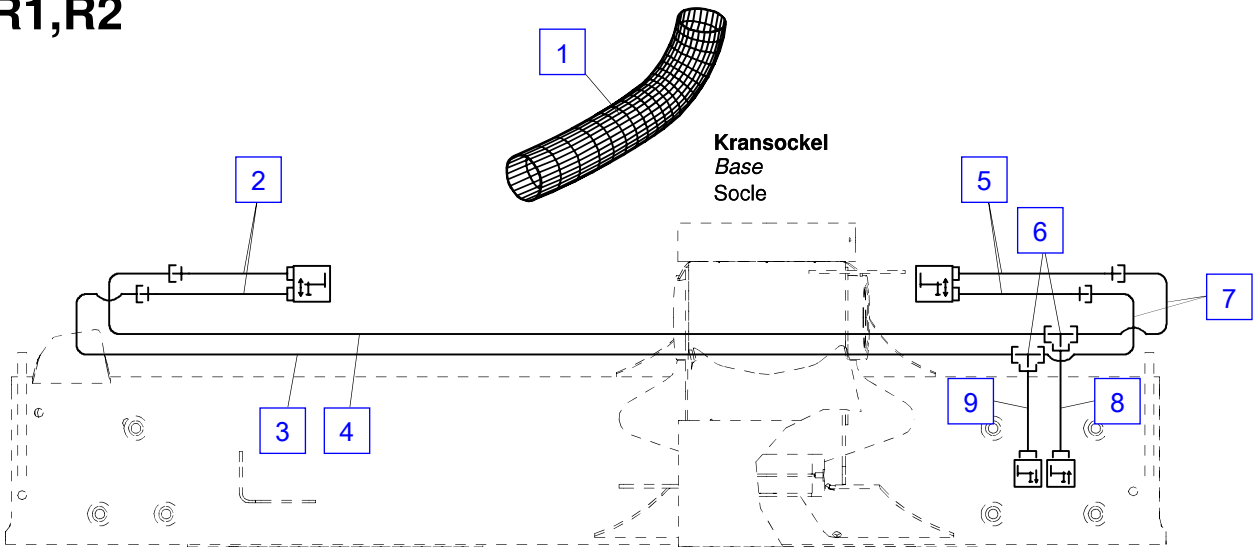
| No. | Spare part | Qty. | Description                   | Dimension  |
|-----|------------|------|-------------------------------|------------|
| 1   | EH1943     | 2    | Protection hose (STZS)        | NW 50x1750 |
| 1   | EH2201     | 2    | Protection hose (STZY) (STZY) | NW 50x2700 |
| 2   | EH 337     | 2    | Hose (STZY)                   | NW 8x2500  |
| 2   | EH3177     | 2    | Hose (STZS)                   | NW 8x1670  |
| 3   | HLR 8782   | 1    | Pipe                          | D 12       |
| 4   | HLR 8783   | 1    | Pipe                          | D 12       |
| 5   | EH 344     | 2    | Hose (STZY)                   | NW 8x2700  |
| 5   | EH4871     | 2    | Hose (STZS)                   | NW 8x1900  |
| 6   | EA 195     | 2    | Fitting                       | T 12-S     |
| 7   | HLR 8777   | 2    | Pipe                          | D 12       |
| 8   | HLR 8781   | 1    | Pipe (7-sections)             | D 12       |
| 8   | HLR 8785   | 1    | Pipe (5-sections)             | D 12       |
| 9   | HLR 8780   | 1    | Pipe (7-sections)             | D 12       |
| 9   | HLR 8784   | 1    | Pipe (5-sections)             | D 12       |
| 10  | EH1876     | 2    | Protection hose (STZS)        | NW 50x1900 |
| 10  | EH2201     | 2    | Protection hose               | NW 50x2700 |
| 11  | HLR 8773   | 1    | Pipe                          | D 12       |
| 12  | HLR 8786   | 1    | Pipe                          | D 12       |
| 13  | HLR 8774   | 1    | Pipe                          | D 12       |
| 14  | HLR 8787   | 1    | Pipe                          | D 12       |



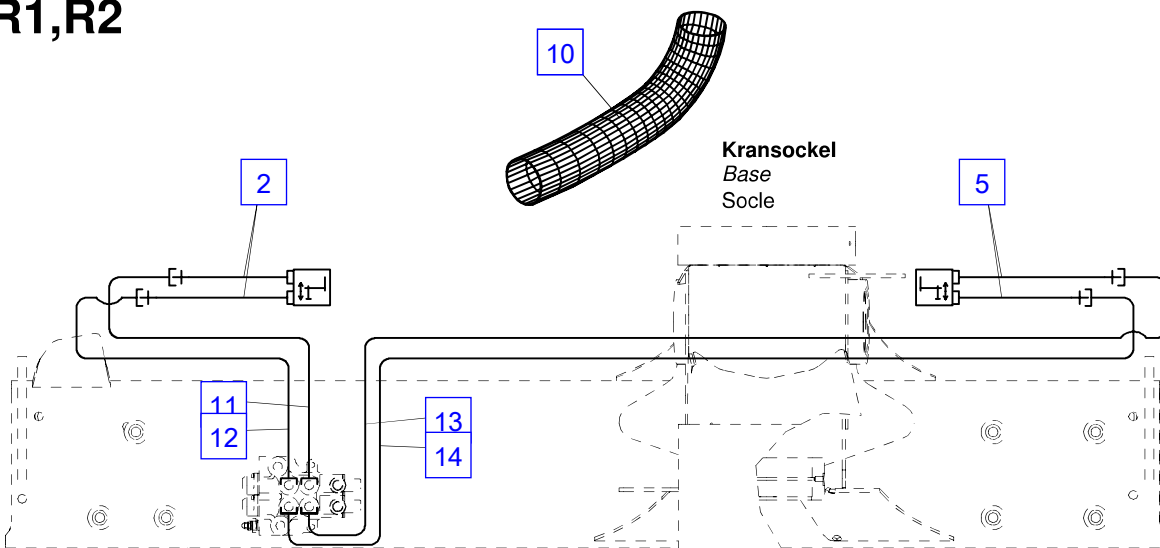
gültig für:  
valid for:  
valid for:



### R1,R2



### R1,R2



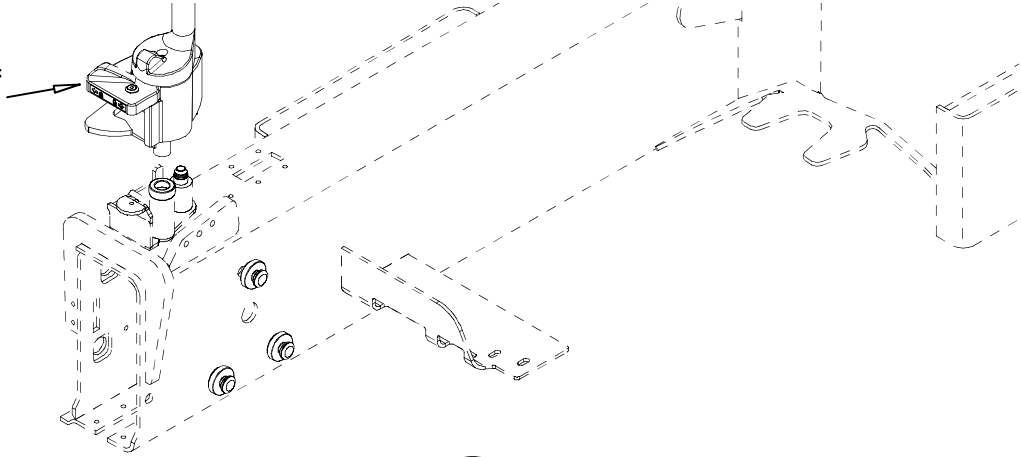
**Steuerventil-Abstützung**  
Control valve-stabil.  
Distribut. de commande-stabil.

Pipes-R1,R2

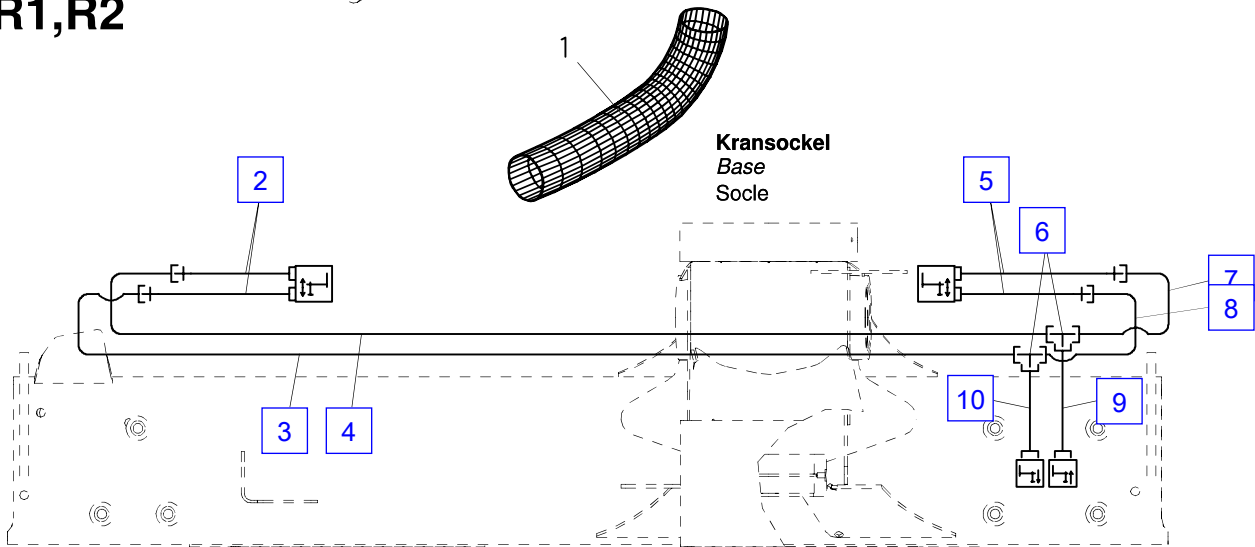
| No. | Spare part | Qty. | Description            | Dimension  |
|-----|------------|------|------------------------|------------|
| 1   | EH1487     | 1    | Protection hose (STZY) | NW 50x750  |
| 1   | EH1876     | 1    | Protection hose        | NW 50x1900 |
| 1   | EH1943     | 1    | Protection hose        | NW 50x1750 |
| 2   | EH 337     | 2    | Hose (STZY)            | NW 8x2500  |
| 2   | EH6149     | 2    | Hose (STZS)            | NW 8x2100  |
| 3   | HLR10272   | 1    | Pipe                   | D 12       |
| 4   | HLR10273   | 1    | Pipe                   | D 12       |
| 5   | EH 344     | 2    | Hose (STZY)            | NW 8x2700  |
| 5   | EH 680     | 2    | Hose (STZS)            | NW 8x2200  |
| 6   | EA 195     | 2    | Fitting                | T 12-S     |
| 7   | HLR10271   | 1    | Pipe                   | D 12       |
| 8   | HLR10270   | 1    | Pipe                   | D 12       |
| 9   | HLR10276   | 1    | Pipe (7-sections)      | D 12       |
| 9   | HLR10274   | 1    | Pipe (5-sections)      | D 12       |
| 10  | HLR10277   | 1    | Pipe (7-sections)      | D 12       |
| 10  | HLR10275   | 1    | Pipe (5-sections)      | D 12       |
| 11  | EH1487     | 1    | Protection hose        | NW 50x750  |
| 11  | EH1876     | 1    | Protection hose        | NW 50x1900 |
| 11  | EH1943     | 1    | Protection hose        | NW 50x1750 |
| 12  | HLR10278   | 1    | Pipe                   | D 12       |
| 13  | HLR10279   | 1    | Pipe                   | D 12       |
| 14  | HLR10281   | 1    | Pipe                   | D 12       |
| 15  | HLR10280   | 1    | Pipe                   | D 12       |



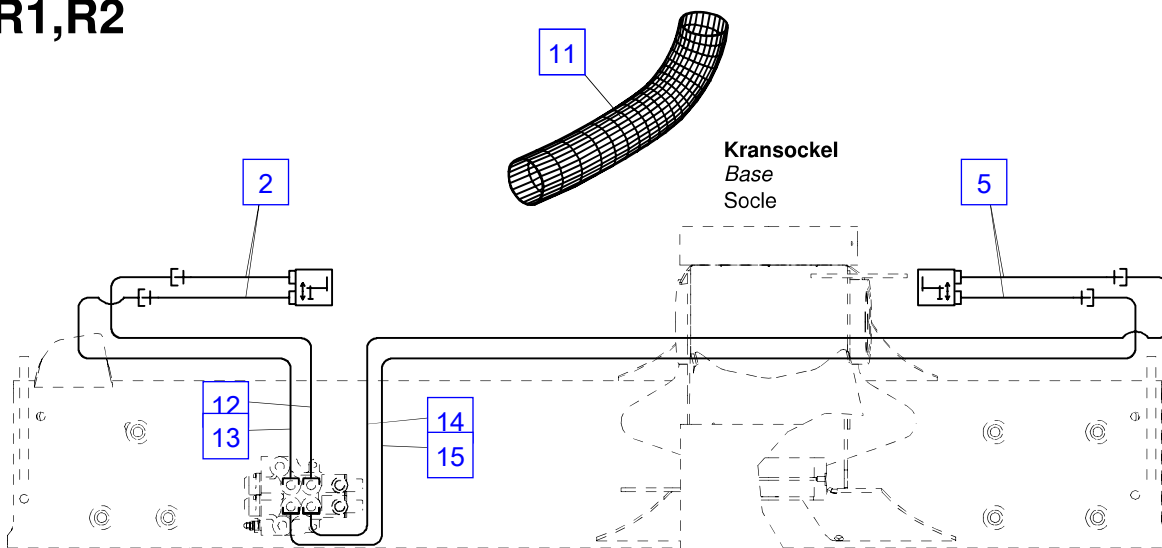
gültig für:  
valid for:



**R1,R2**



**R1,R2**

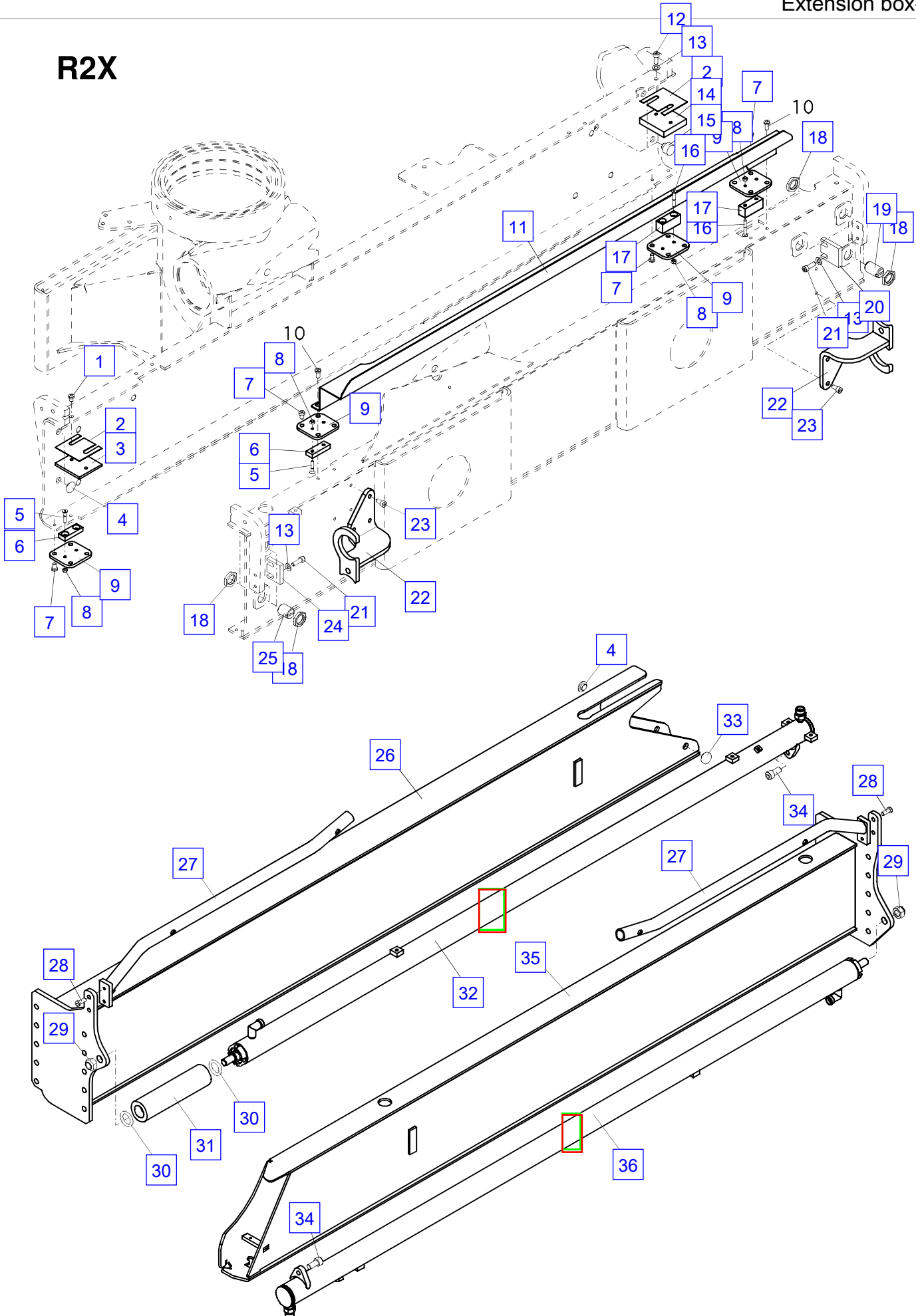


**Steuerventil-Abstützung**  
Control valve-stabil.  
Distribut. de commande-stabil.

Extension box-R2X

| No. | Spare part | Qty. | Description                                     | Dimension            |
|-----|------------|------|---|----------------------|
| 1   | ES1089     | 2    | Screw   | M 8x10 DIN 7984 8.8  |
| 2   | HTR1529    | 0    | Shim plate                                      | 1 mm                 |
| 3   | HTR1427    | 1    | Shim plate                                      | 5 mm                 |
| 4   | HF 050     | 3    | Guide   | 3 mm                 |
| 5   | ES 200     | 4    | Screw   | M 5x25 DIN 7991      |
| 6   | HTR1538    | 2    | Guide block                                     | 10 mm                |
| 7   | ES1082     | 12   | Screw   | M 8x12 DIN 7984 8.8  |
| 8   | EM 040     | 8    | Nut   | DIN985-8 M5          |
| 9   | HTR3431    | 4    | Fastening plate                                 |                      |
| 10  | ES 308     | 4    | Screw   | M 8x20 DIN7984- 8.8  |
| 11  | HA3499     | 1    | Hose tray                                       |                      |
| 12  | ES 265     | 2    | Screw   | M 8x20 ISO4762- 8.8  |
| 13  | EK 340     | 6    | Washer  | D8 ISO7089-A2-HV140  |
| 14  | HTR3595    | 1    | Shim plate                                      | 15 mm                |
| 15  | HF 281     | 3    | Guide   | 13.5 mm              |
| 16  | ES 582     | 4    | Screw   | M 5x40 DIN 7991      |
| 17  | HTR3363    | 2    | Guide block                                     | 24 mm                |
| 18  | EM 180     | 10   | Nut   | M24x1,5              |
| 19  | HIG 428    | 3    | Guide   | l=40 mm              |
| 20  | HTR3551    | 1    | Guide piece                                     | 10 mm                |
| 21  | ES 006     | 4    | Screw   | M 8x25 ISO4762-10.9  |
| 22  | HXE1558    | 2    | Cylinder guide                                  |                      |
| 23  | ES 051     | 6    | Screw   | M 8x16 DIN 7984 8.8  |
| 24  | HTR3550    | 1    | Guide piece                                     | 10 mm                |
| 25  | HIG 653    | 2    | Guide   | l=28 mm              |
| 26  | S106A20-A  | 1    | Outrigger-R2                                    |                      |
| 27  | HXE1764    | 2    | Stirrup   |                      |
| 28  | ES 308     | 4    | Screw   | M 8x20 DIN7984- 8.8  |
| 29  | EM 031     | 2    | Nut   | M 16 DIN 985         |
| 30  | EO1010     | 2    | O-ring  | D 25x6               |
| 31  | HBS2706    | 1    | Spacer  |                      |
| 32  | UP1408     | 1    | Outrigger extension cylinder<br>(page 010.1200) |                      |
| 33  | HF 007     | 1    | Guide   | 5 mm                 |
| 33  | HF 795     | 1    | Guide   | 6 mm                 |
| 33  | HF 345     | 1    | Guide   | 7 mm                 |
| 34  | ES 041     | 2    | Screw   | M 12x25 ISO4762-10.9 |
| 35  | S106A21-A  | 1    | Outrigger-R2                                    |                      |
| 36  | UP1409     | 1    | Outrigger extension cylinder<br>(page 010.1200) |                      |

**R2X**

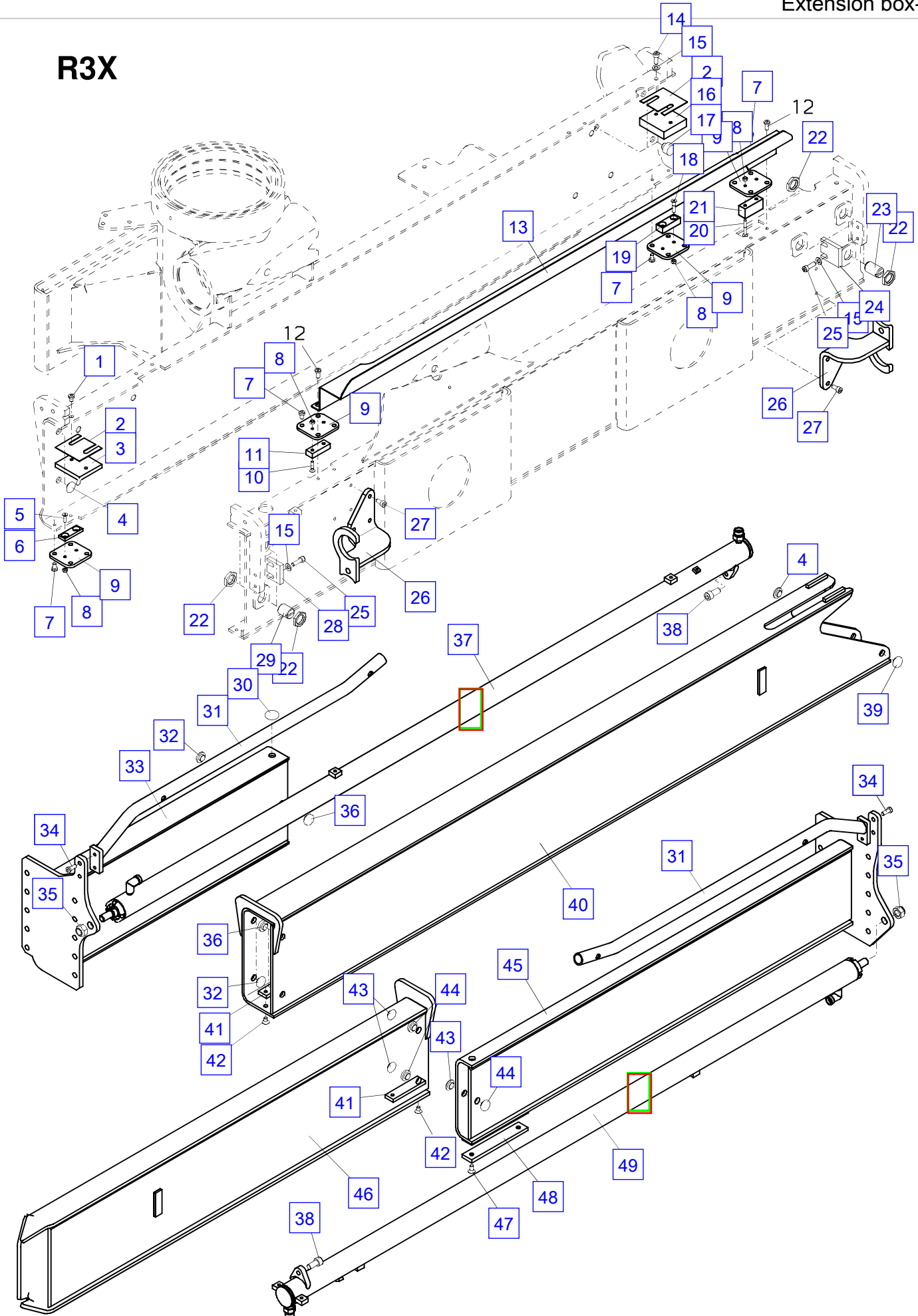


Extension box-R3X

| No. | Spare part | Qty. | Description                                     | Dimension            |
|-----|------------|------|---|----------------------|
| 1   | ES1089     | 2    | Screw   | M 8x10 DIN 7984 8.8  |
| 2   | HTR1529    | 0    | Shim plate                                      | 1 mm                 |
| 3   | HTR1166    | 1    | Shim plate                                      | 10 mm                |
| 4   | HF 050     | 3    | Guide   | 3 mm                 |
| 5   | ES 198     | 2    | Screw   | M 5x20 ISO14581- 8.8 |
| 6   | HTR1539    | 1    | Guide block                                     | 6 mm                 |
| 7   | ES1082     | 12   | Screw   | M 8x12 DIN 7984 8.8  |
| 8   | EM 040     | 8    | Nut   | DIN985-8 M5          |
| 9   | HTR3431    | 4    | Fastening plate                                 |                      |
| 10  | ES 200     | 2    | Screw   | M 5x25 DIN 7991      |
| 11  | HTR3367    | 1    | Guide block                                     | 13 mm                |
| 12  | ES 308     | 4    | Screw   | M 8x20 DIN7984- 8.8  |
| 13  | HA3499     | 1    | Hose tray                                       |                      |
| 14  | ES 265     | 2    | Screw   | M 8x20 ISO4762- 8.8  |
| 15  | EK 340     | 6    | Washer  | D8 ISO7089-A2-HV140  |
| 16  | HTR1161    | 1    | Shim plate                                      | 20 mm                |
| 17  | HF 281     | 3    | Guide   | 13.5 mm              |
| 18  | ES 212     | 2    | Screw   | M 5x30 ISO14581- 8.8 |
| 19  | HTR3368    | 1    | Guide block                                     | 15 mm                |
| 20  | ES 582     | 2    | Screw   | M 5x40 DIN 7991      |
| 21  | HTR3363    | 1    | Guide block                                     | 24 mm                |
| 21  | HTR3364    | 1    | Guide block                                     | 26 mm                |
| 22  | EM 180     | 10   | Nut   | M24x1,5              |
| 23  | HIG 428A   | 3    | Guide   | L=46 mm              |
| 24  | HTR3551    | 1    | Guide piece                                     | 10 mm                |
| 25  | ES 006     | 4    | Screw   | M 8x25 ISO4762-10.9  |
| 26  | HXE1558    | 2    | Cylinder guide                                  |                      |
| 27  | ES 051     | 6    | Screw   | M 8x16 DIN 7984 8.8  |
| 28  | HTR3550    | 1    | Guide piece                                     | 10 mm                |
| 29  | HIG 653    | 2    | Guide   | l=28 mm              |
| 30  | HF 577     | 1    | Guide   | 5 mm                 |
| 31  | HXE1765    | 2    | Bearer  |                      |
| 32  | HF 108     | 3    | Guide   | 4 mm                 |
| 33  | S106A31-A  | 1    | Extension box-R3X                               |                      |
| 34  | ES 308     | 4    | Screw   | M 8x20 DIN7984- 8.8  |
| 35  | EM 031     | 2    | Nut   | M 16 DIN 985         |
| 36  | HF 345     | 3    | Guide   | 7 mm                 |
| 37  | UP1406     | 1    | Outrigger extension cylinder<br>(page 010.1200) |                      |
| 38  | ES 041     | 2    | Screw   | M 12x25 ISO4762-10.9 |
| 39  | HF 795     | 1    | Guide   | 6 mm                 |
| 40  | S106A30-A  | 1    | Extension box                                   |                      |
| 41  | HTR4024    | 2    | Striker bar                                     | 8 mm                 |
| 41  | HTR1948    | 2    | Striker bar                                     | 10 mm                |
| 42  | ES 123     | 4    | Screw   | M 8x12 ISO14581- 8.8 |
| 43  | HF 047     | 3    | Guide   | 2 mm                 |
| 44  | HF 007     | 3    | Guide   | 5 mm                 |
| 45  | S106A33-A  | 1    | Extension box                                   |                      |
| 46  | S106A32-A  | 1    | Extension box                                   |                      |
| 47  | ES 156     | 2    | Screw   | M 8x16 ISO14581- 8.8 |
| 48  | HTR1946    | 1    | Guide   | 8 mm                 |
| 48  | HTR1947    | 1    | Guide   | 10 mm                |
| 49  | UP1408     | 1    | Outrigger extension cylinder<br>(page 010.1200) |                      |



**R3X**



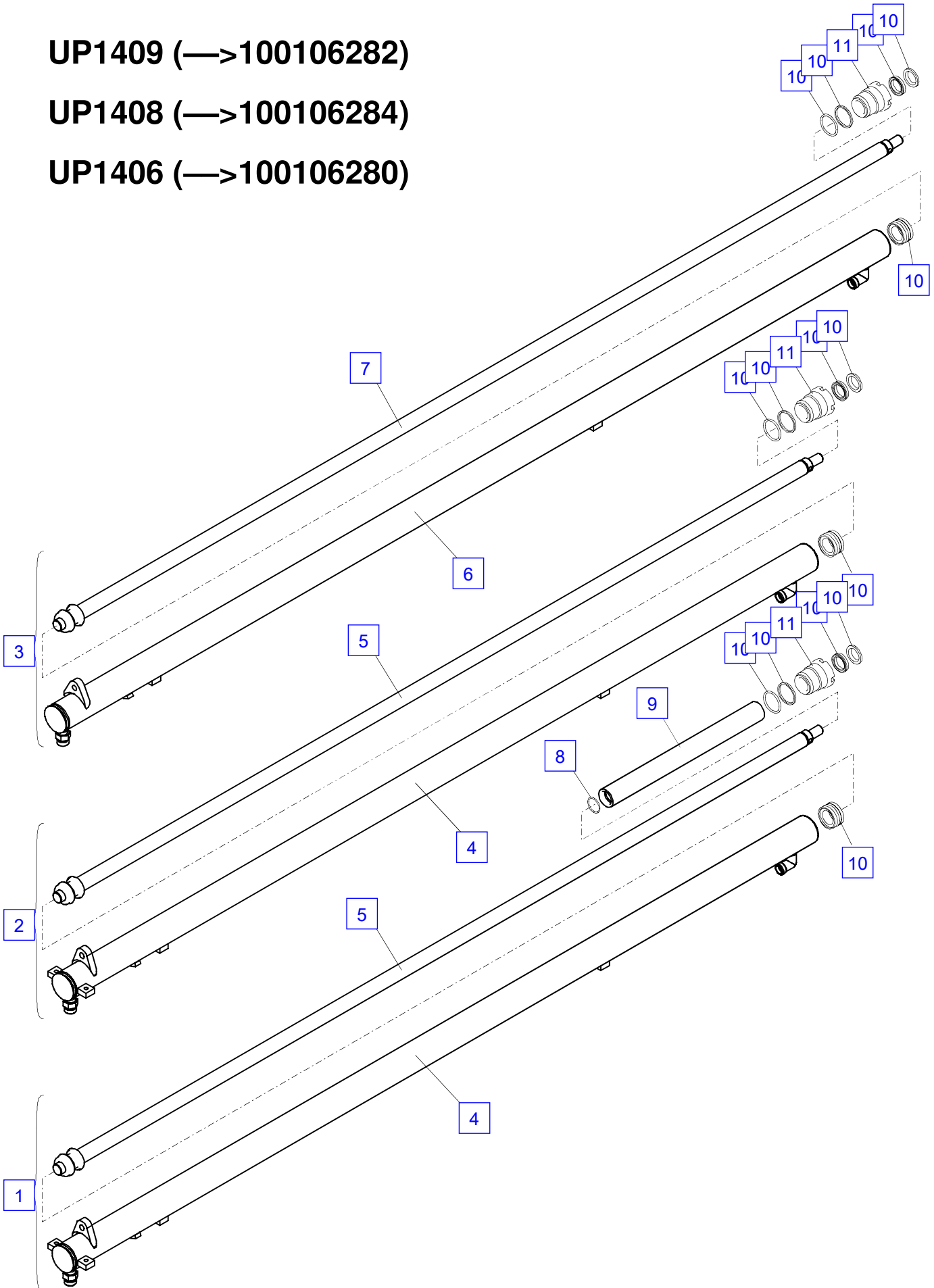
## Extension cylinder-R2X,R3X

| No. | Spare part | Qty. | Description                            | Dimension           |
|-----|------------|------|--|---------------------|
| 1   | UP1409     | 1    | Outrigger extension cylinder (R2X)     |                     |
| 2   | UP1408     | 1    | Outrigger extension cylinder (R2X,R3X) |                     |
| 3   | UP1406     | 1    | Outrigger extension cylinder (R3X)     |                     |
| 4   | HY1280     | 2    | Cylinder tube                          | d040                |
| 5   | HSK1166    | 2    | Piston rod                             | D025xL1799 Dzyl.040 |
| 6   | HY1278     | 1    | Cylinder tube                          |                     |
| 7   | HSK1162    | 1    | Piston rod                             |                     |
| 8   | EO 108     | 1    | O-ring                                 | D 25x2              |
| 9   | HBS2662    | 1    | Spacer                                 |                     |
| 10  | TD 526     | 3    | Seal kit                               |                     |
| 11  | HV 437     | 3    | Cylinder nut                           |                     |

**UP1409 (—>100106282)**

**UP1408 (—>100106284)**

**UP1406 (—>100106280)**



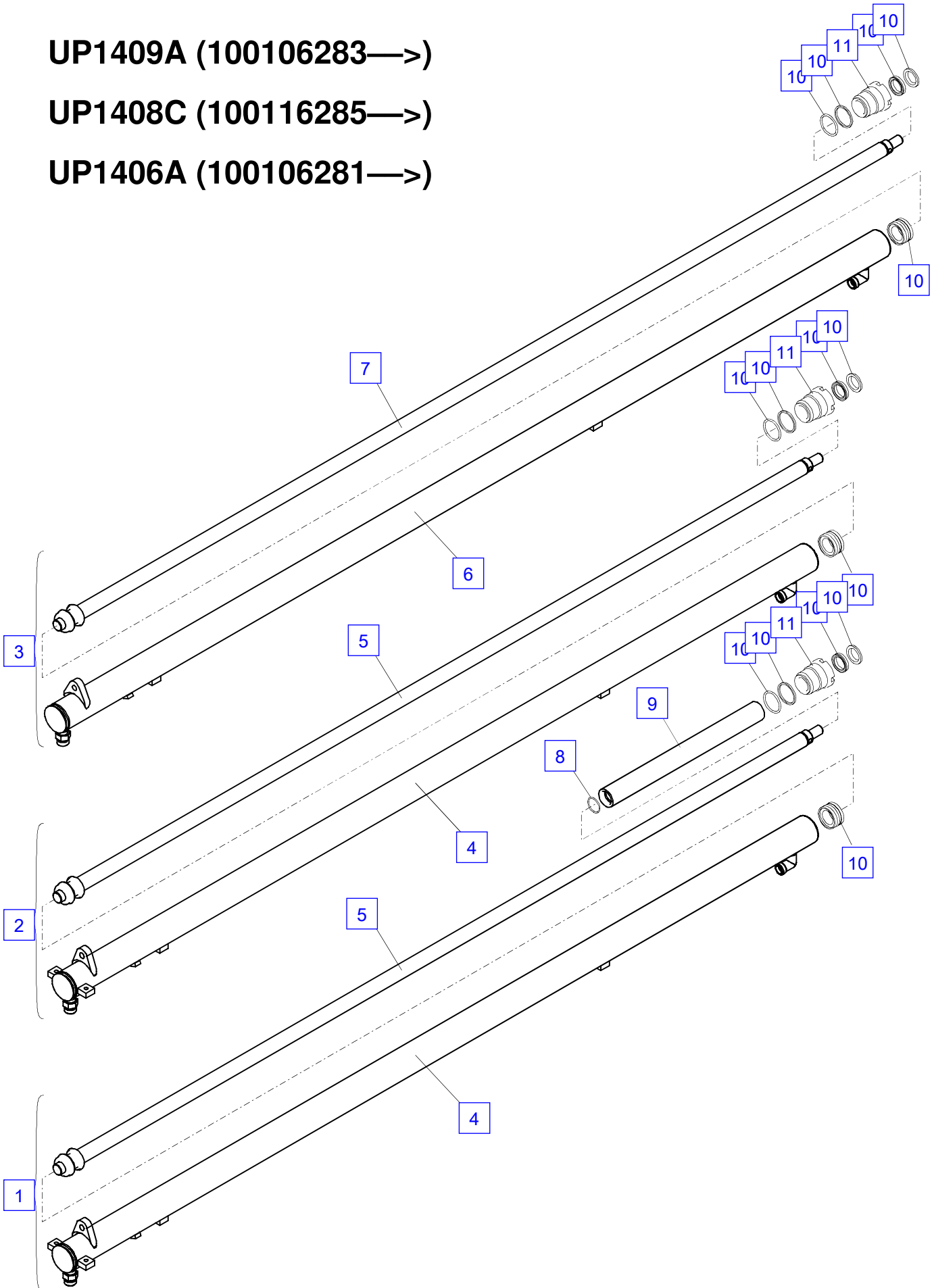
## Extension cylinder-R2X,R3X

| No. | Spare part | Qty. | Description                            | Dimension           |
|-----|------------|------|--|---------------------|
| 1   | UP1409A    | 1    | Outrigger extension cylinder (R2X)     |                     |
| 2   | UP1408C    | 1    | Outrigger extension cylinder (R2X,R3X) |                     |
| 3   | UP1406A    | 1    | Outrigger extension cylinder (R3X)     |                     |
| 4   | HY1280A    | 2    | Cylinder tube                          |                     |
| 5   | HSK1166    | 2    | Piston rod                             | D025xL1799 Dzyl.040 |
| 6   | HY1278     | 1    | Cylinder tube                          |                     |
| 7   | HSK1162    | 1    | Piston rod                             |                     |
| 8   | EO 108     | 1    | O-ring                                 | D 25x2              |
| 9   | HBS2662    | 1    | Spacer                                 |                     |
| 10  | TD 526A    | 3    | Seal kit                               |                     |
| 11  | HV 437A    | 3    | Cylinder nut                           | M044x1.5 d025xL052  |

**UP1409A (100106283→)**

**UP1408C (100116285→)**

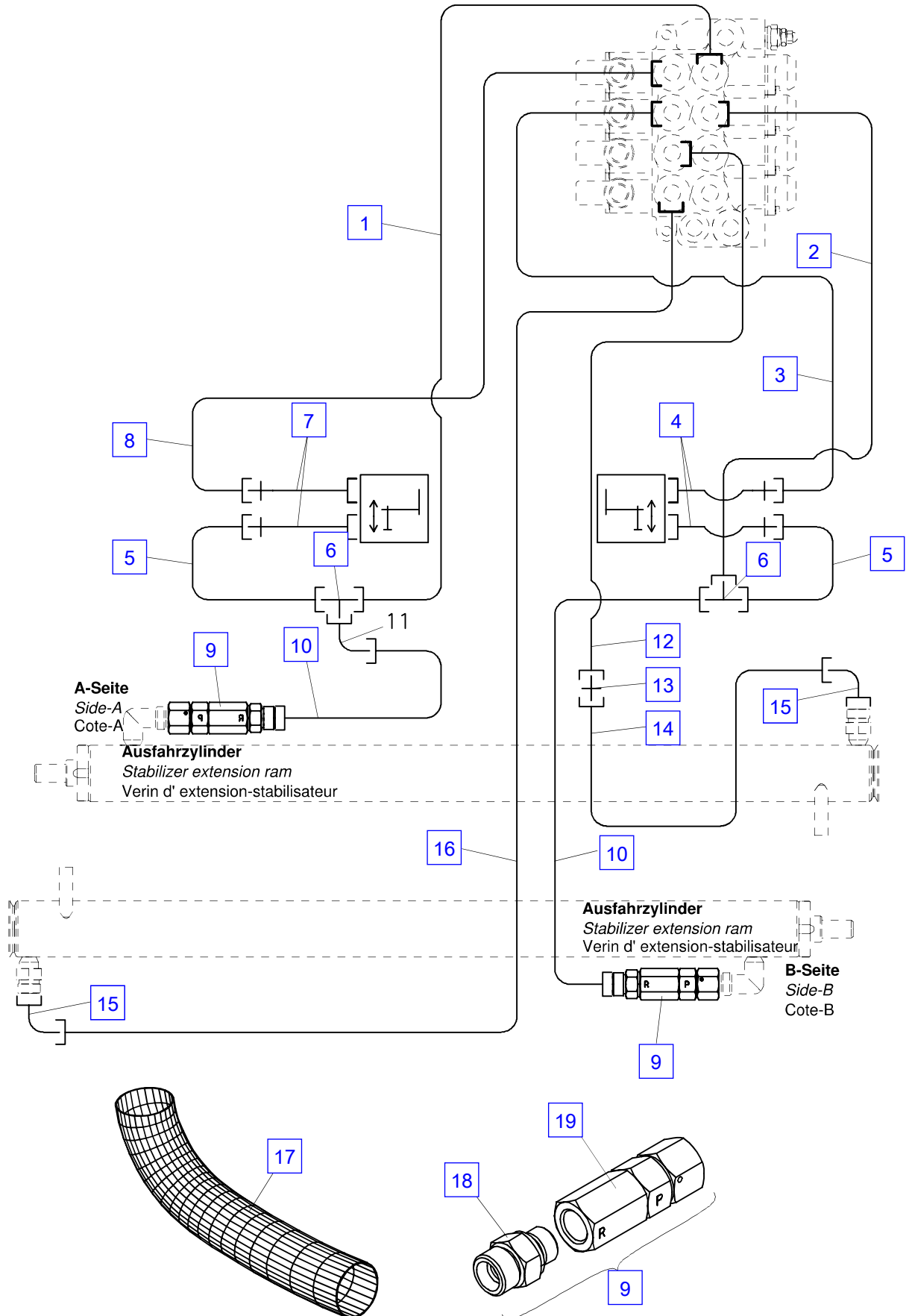
**UP1406A (100106281→)**



Pipes-R2X,R3X

| No. | Spare part | Qty. | Description                | Dimension       |
|-----|------------|------|----------------------------|-----------------|
| 1   | HLR 8775   | 1    | Pipe                       | D 12            |
| 2   | HLR 8776   | 1    | Pipe                       | D 12            |
| 3   | HLR 8773   | 1    | Pipe                       | D 12            |
| 4   | EH 322     | 2    | Hose (STZY,R3X)            | NW 8x2900       |
| 4   | EH 337     | 2    | Hose (STZY,R2X)            | NW 8x2500       |
| 4   | EH6149     | 2    | Hose (STZS,R2X)            | NW 8x2100       |
| 4   | EH6160     | 2    | Hose (STZS,R3X)            | NW 8x2350       |
| 5   | HLR 8777   | 2    | Pipe                       | D 12            |
| 6   | EA 195     | 2    | Fitting                    | T 12-S          |
| 7   | EH 344     | 2    | Hose (STZY,R2X)            | NW 8x2700       |
| 7   | EH3632     | 2    | Hose (STZY,R3X)            | NW 8x3000       |
| 7   | EH6159     | 2    | Hose (STZS,R3X)            | NW 8x2500       |
| 7   | EH 680     | 2    | Hose (STZS,R2X)            | NW 8x2200       |
| 8   | HLR 8774   | 1    | Pipe                       | D 12            |
| 9   | UV423      | 2    | Pretension valve, cpl.     | 80 bar          |
| 10  | EH3094     | 2    | Hose                       | NW 8x480        |
| 11  | EA 280     | 1    | Angle fitting (R3X)        | EW 12 S         |
| 12  | HLR 8771   | 1    | Pipe                       | D 12            |
| 13  | EA 204     | 1    | Fitting                    | G 12 S          |
| 14  | HLR 8772   | 1    | Pipe                       | D 12            |
| 15  | EA 280     | 2    | Angle fitting              | EW 12 S         |
| 16  | HLR 8770   | 1    | Pipe                       | D 12            |
| 17  | EH1876     | 2    | Protection hose (STZS,R2X) | NW 50x1900      |
| 17  | EH1877     | 2    | Protection hose (STZS,R3X) | NW 50x2150      |
| 17  | EH2201     | 2    | Protection hose (STZY,R2X) | NW 50x2700      |
| 17  | EH2202     | 2    | Protection hose (STZY,R3X) | NW 50x3100      |
| 18  | EA 039     | 1    | Fitting                    | GE 12S R3/8"-ED |
| 19  | EV4107/080 | 1    | Pretension valve           |                 |

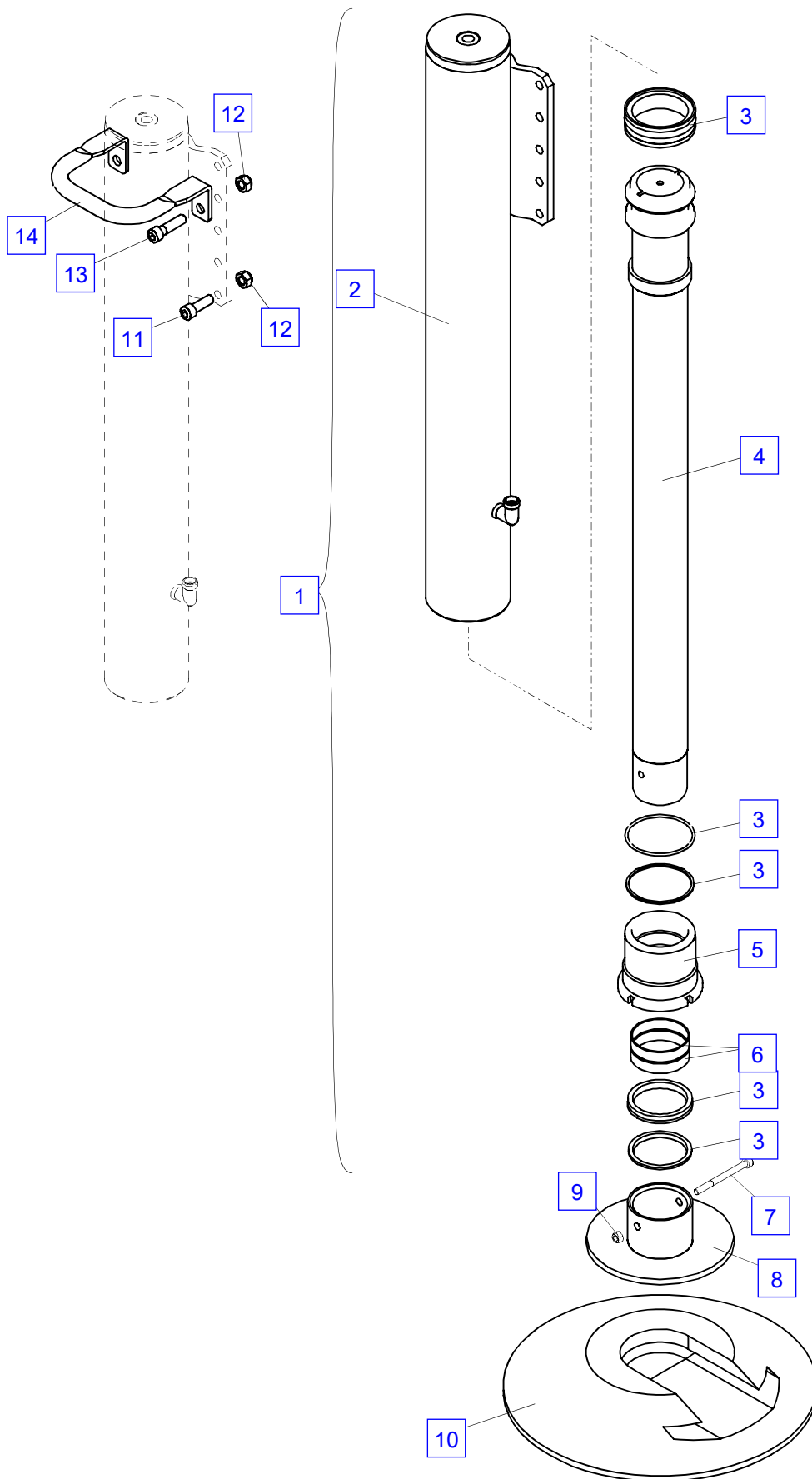
**Steuerventil-Abstüzung**  
*Control valve-stabil.*  
 Distribut. de commande-stabil.



## Stabilizer ram-STZS

| No. | Spare part | Qty. | Description          | Dimension            |
|-----|------------|------|----------------------|----------------------|
| 1   | UP1489     | 1    | Stabilizer ram       | l=961 mm             |
| 2   | HY1370     | 1    | Cylinder tube        |                      |
| 3   | TD 596     | 1    | Seal kit (+6)        |                      |
| 4   | HSK 083A   | 1    | Piston rod           |                      |
| 5   | HV 371     | 1    | Cylinder nut         | M095x2.0 d070xL090   |
| 6   | EG 051     | 2    | Guide ring           | 75x70x15             |
| 7   | ES1161     | 1    | Screw                | M 8x100 ISO4762- 8.8 |
| 8   | HD 008     | 1    | Stabilizer plates    | STT="Std"            |
| 8   | HD 063     | 1    | Stabilizer extension | STT="190"            |
| 9   | EM 026     | 1    | Nut                  | M 8 DIN 985          |
| 10  | EZ 872     | 1    | Stabilizer plates    | D 400                |
| 11  | ES 157     | 7    | Screw                | M 12x35 ISO4762-10.9 |
| 12  | EM 023     | 10   | Nut                  | M 12 DIN 985         |
| 13  | ES 173     | 3    | Screw                | M 12x45 ISO4762-10.9 |
| 14  | HAU 197    | 1    | Stirrup              |                      |





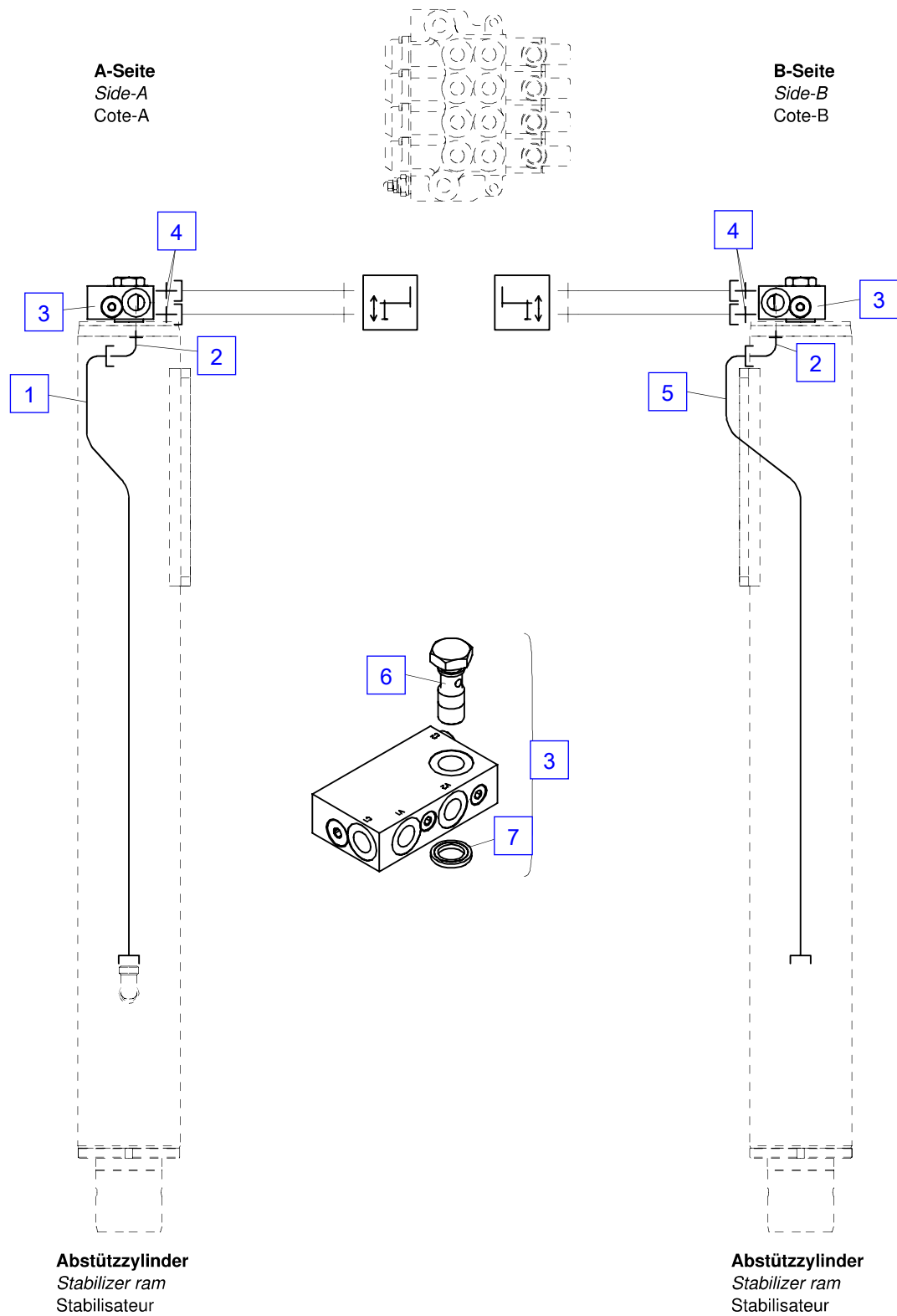
**Stützteller nicht im Lieferumfang enthalten, diese müssen als Zubehör gesondert bestellt werden.**

*The support plates are not included in the delivery, they must be ordered separately as accessories.*

*Les pieds de bequille ne font pas partie de la fourniture ils doivent être commandés séparément comme accessoires.*

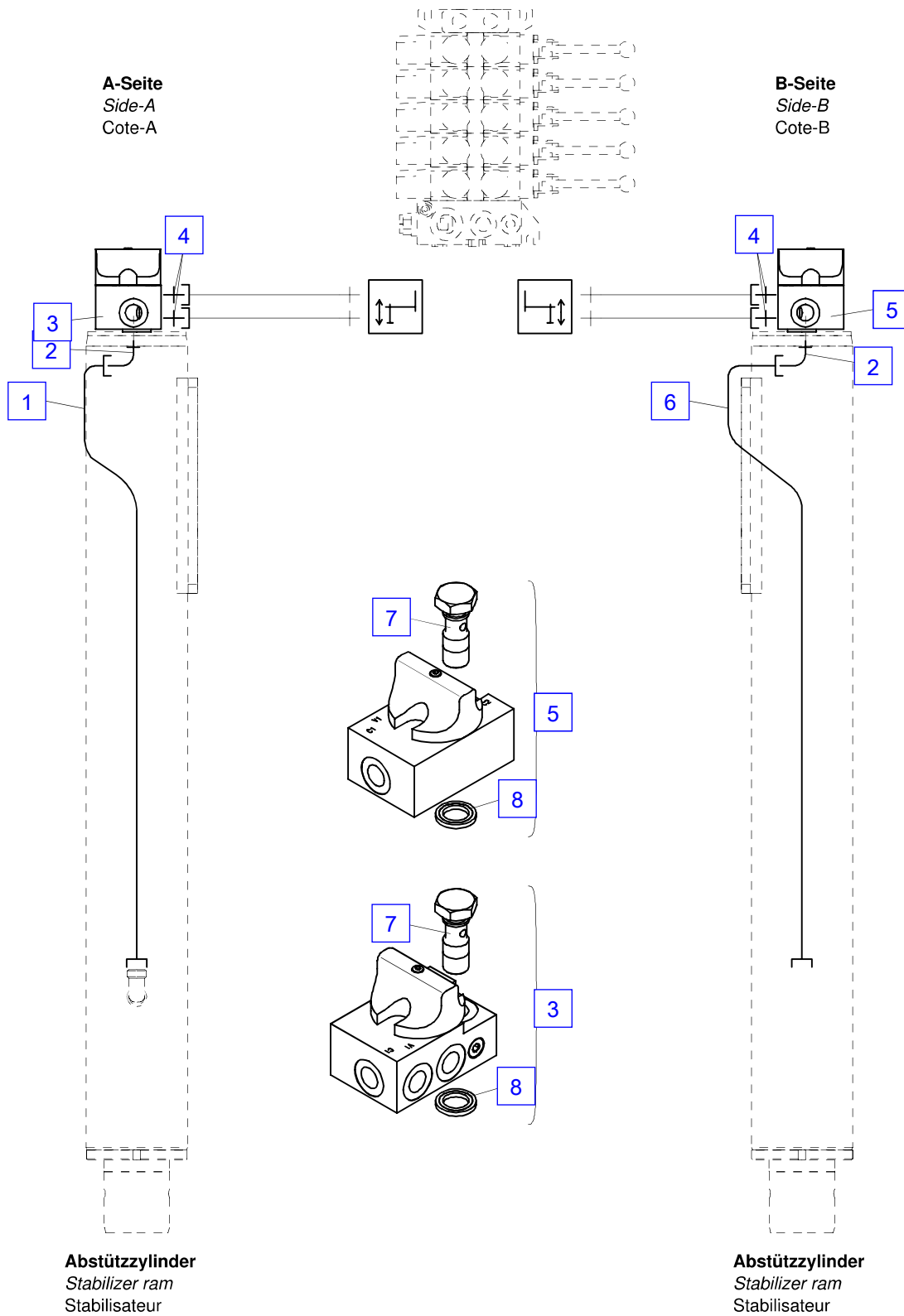
## Pipes-Support STZS

| No. | Spare part | Qty. | Description  | Dimension       |
|-----|------------|------|--------------|-----------------|
| 1   | HLR 8509   | 1    | Pipe         | D 12            |
| 2   | EA1749     | 2    | Adaptor      | WEE 12S 3/8"    |
| 3   | EV4109A    | 2    | Check valve  |                 |
|     | TD 264     | 0    | Seal kit     |                 |
| 4   | EA 039     | 4    | Fitting      | GE 12S R3/8"-ED |
| 5   | HLR 8788   | 1    | Pipe         | D 12            |
| 6   | EA5792     | 1    | Banjo bolt   |                 |
| 7   | ED 620     | 1    | Sealing ring | KD 3/8"         |



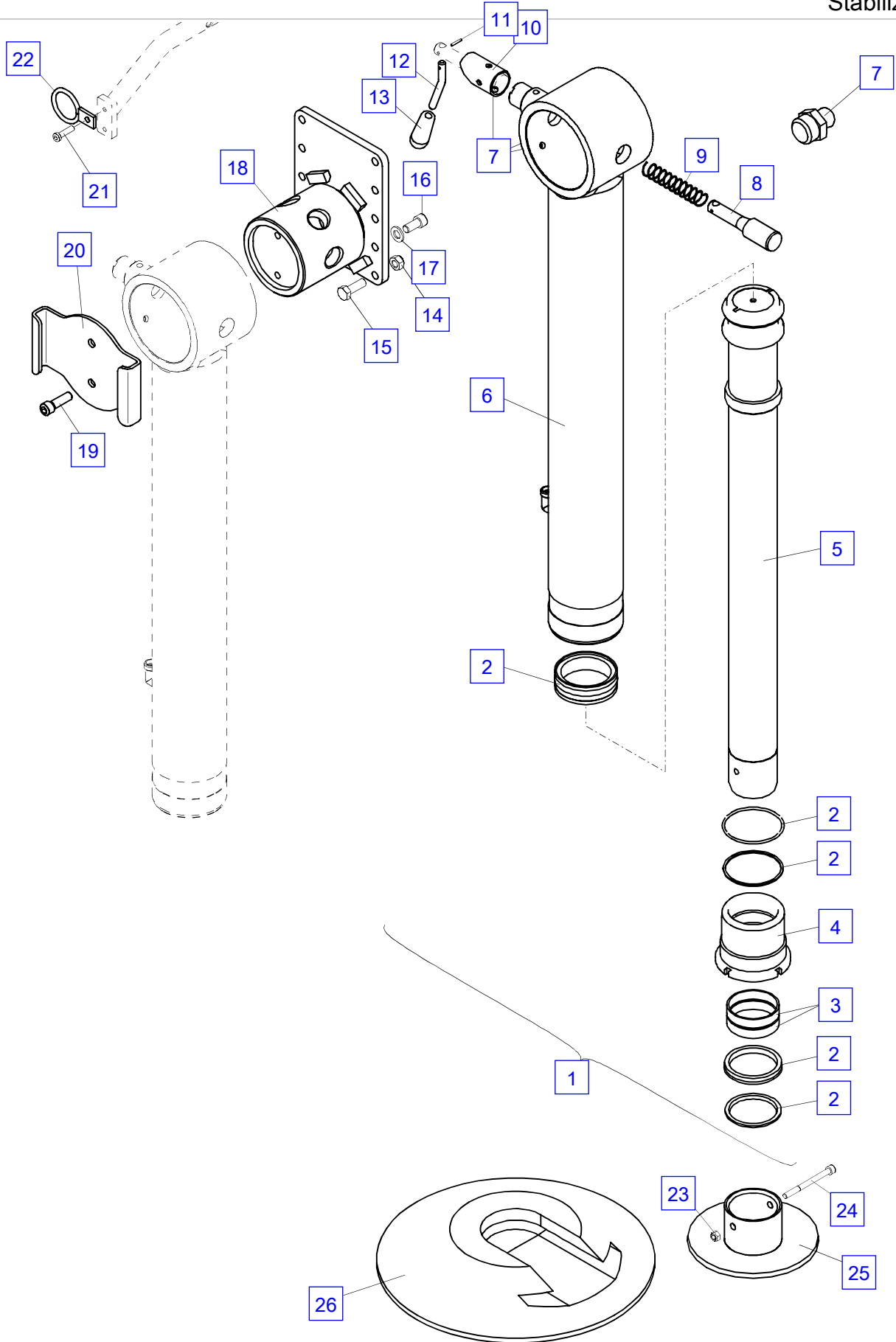
Pipes-Support STZS

| No. | Spare part | Qty. | Description       | Dimension       |
|-----|------------|------|-------------------|-----------------|
| 1   | HLR 8509   | 1    | Pipe              | D 12            |
| 2   | EA1749     | 2    | Adaptor           | WEE 12S 3/8"    |
| 3   | EV4418A    | 1    | Check valve, cpl. |                 |
|     | TD 264     | 1    | Seal kit          |                 |
|     | TD 848     | 0    | Seal kit          |                 |
| 4   | EA 039     | 4    | Fitting           | GE 12S R3/8"-ED |
| 5   | EV4110A    | 1    | Check valve, cpl. |                 |
|     | TD 264     | 1    | Seal kit          |                 |
|     | TD 848     | 0    | Seal kit          |                 |
| 6   | HLR 8788   | 1    | Pipe              | D 12            |
| 7   | EA1449     | 2    | Banjo bolt        |                 |
| 8   | ED 620     | 2    | Sealing ring      | KD 3/8"         |



Stabilizer ram-STZY

| No. | Spare part | Qty. | Description          | Dimension            |
|-----|------------|------|----------------------|----------------------|
| 1   | UP1511     | 1    | Stabilizer ram       | l=954 mm             |
| 2   | TD 596     | 1    | Seal kit (+3)        |                      |
| 3   | EG 051     | 2    | Guide ring           | 75x70x15             |
| 4   | HV 371     | 1    | Cylinder nut         | M095x2.0 d070xL090   |
| 5   | HSK 084A   | 1    | Piston rod           |                      |
| 6   | HY1387     | 1    | Cylinder tube        |                      |
| 7   | EA 005     | 3    | Grease nipple        | M10x1 DIN71412       |
| 8   | HI2738     | 1    | Pin                  |                      |
| 9   | EF 061     | 1    | Pressure spring      | D 24.2.5x60          |
| 10  | HX 463     | 1    | Bushing              |                      |
| 11  | EQ 299     | 1    | Adapter sleeve       | D 4x18 DIN 1481      |
| 12  | HA6490     | 1    | Pin                  | D010.0xL0095.0       |
| 13  | EZ 253     | 1    | Handle               |                      |
| 14  | EM 023     | 10   | Nut                  | M 12 DIN 985         |
| 15  | ES 022     | 10   | Screw                | M 12x35 DIN 933      |
| 16  | ES 041     | 10   | Screw                | M 12x25 ISO4762-10.9 |
| 17  | EK 207     | 10   | Washer               | D 13 ISO7089         |
| 18  | HXE1711    | 1    | Stabilizer support   |                      |
| 19  | ES1181     | 2    | Screw                | M12x40 ISO4762- 8.8  |
| 20  | HA6446     | 1    | Stirrup              |                      |
| 21  | ES 275     | 1    | Screw                | M 8x30 DIN 7984      |
| 22  | HXE1875    | 1    | Hose guide           |                      |
| 23  | EM 026     | 1    | Nut                  | M 8 DIN 985          |
| 24  | ES1161     | 1    | Screw                | M 8x100 ISO4762- 8.8 |
| 25  | HD 008     | 1    | Stabilizer plates    | STT="Std"            |
| 25  | HD 063     | 1    | Stabilizer extension | STT="190"            |
| 26  | EZ 872     | 1    | Stabilizer plates    | D 400                |



**Stützteller nicht im Lieferumfang enthalten,diese müssen als Zubehör gesondert bestellt werden.**

*The support plates are not included in the delivery,they must be ordered separatly as accrssories.*

Les pieds de bequille ne font pas partie de la fourniture ils doivent etre commandes separement comme accessoires.

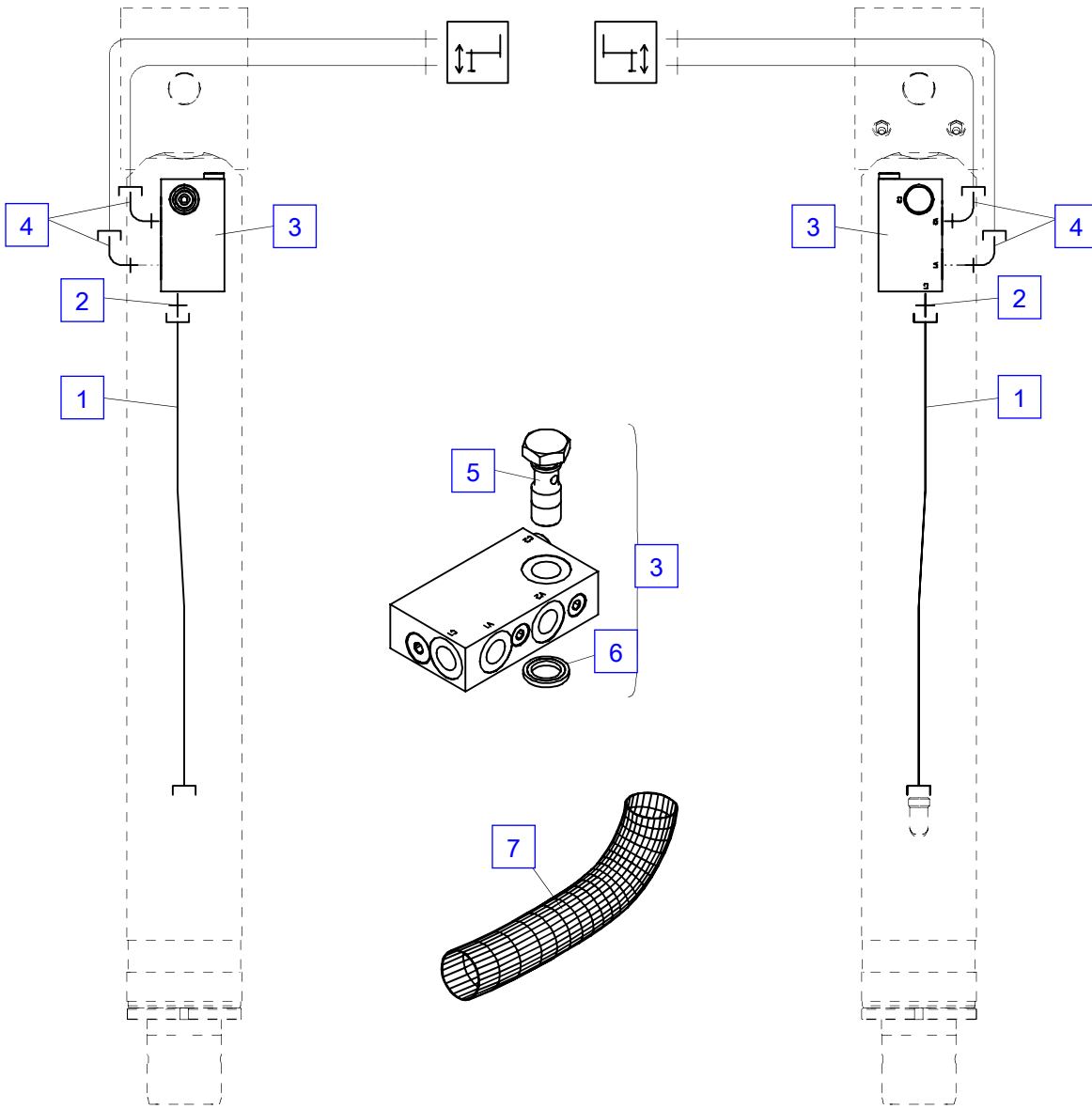
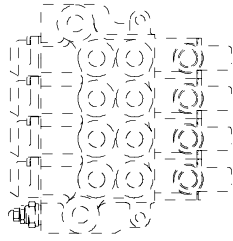
## Pipes-Support STZY

| No. | Spare part | Qty. | Description     | Dimension       |
|-----|------------|------|-----------------|-----------------|
| 1   | HLR 8510   | 2    | Pipe            | D 12            |
| 2   | EA 039     | 2    | Fitting         | GE 12S R3/8"-ED |
| 3   | EV4109A    | 2    | Check valve     |                 |
|     | TD 264     | 0    | Seal kit        |                 |
| 4   | EA1749     | 4    | Adaptor         | WEE 12S 3/8"    |
| 5   | EA5792     | 1    | Banjo bolt      |                 |
| 6   | ED 620     | 1    | Sealing ring    | KD 3/8"         |
| 7   | EH1487     | 2    | Protection hose | NW 50x750       |



**B-Seite**  
*Side-B*  
Cote-B

**A-Seite**  
*Side-A*  
Cote-A

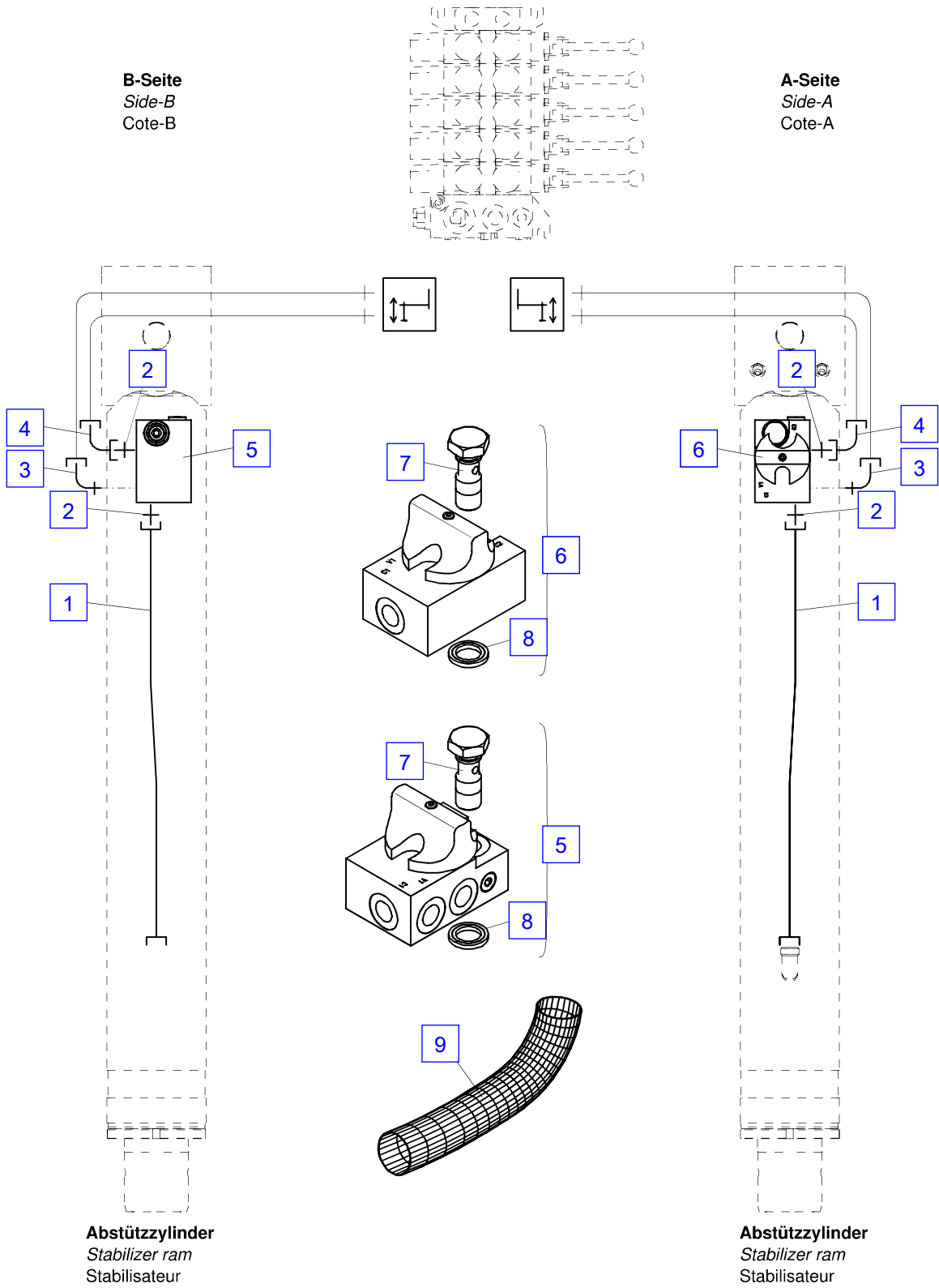


**Abstützzylinder**  
*Stabilizer ram*  
Stabilisateur

**Abstützzylinder**  
*Stabilizer ram*  
Stabilisateur

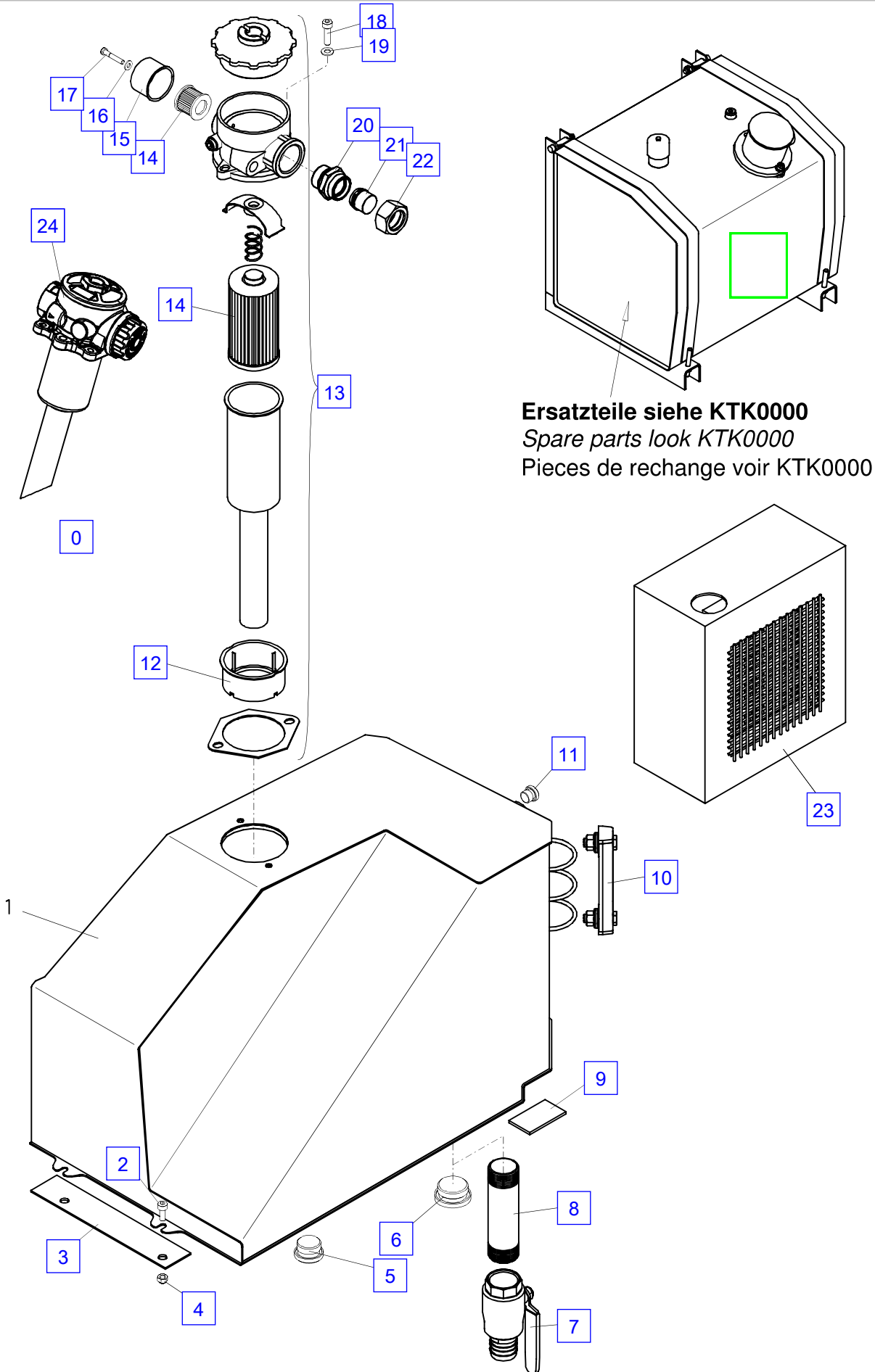
Pipes-Support STZY

| No. | Spare part | Qty. | Description       | Dimension       |
|-----|------------|------|-------------------|-----------------|
| 1   | HLR 8805   | 2    | Pipe              | D 12            |
| 2   | EA 039     | 4    | Fitting           | GE 12S R3/8"-ED |
| 3   | EA1749     | 2    | Adaptor           | WEE 12S 3/8"    |
| 4   | EA 280     | 2    | Angle fitting     | EW 12 S         |
| 5   | EV4418A    | 1    | Check valve, cpl. |                 |
|     | TD 264     | 1    | Seal kit          |                 |
|     | TD 848     | 0    | Seal kit          |                 |
| 6   | EV4110A    | 1    | Check valve, cpl. |                 |
|     | TD 264     | 1    | Seal kit          |                 |
|     | TD 848     | 0    | Seal kit          |                 |
| 7   | EA1449     | 2    | Banjo bolt        |                 |
| 8   | ED 620     | 2    | Sealing ring      | KD 3/8"         |
| 9   | EH1487     | 2    | Protection hose   | NW 50x750       |



Oil cooler + Öltank

| No. | Spare part | Qty. | Description                             | Dimension           |
|-----|------------|------|---|---------------------|
|     | UT083      | 1    | Oil tank, cpl.                          | 70 l                |
|     | TD1776     | 0    | Seal kit                                |                     |
| 2   | ES 265     | 2    | Screw                                   | M 8x20 ISO4762- 8.8 |
| 3   | HTR 748    | 1    | Rubber mat                              |                     |
| 4   | EM 026     | 2    | Nut                                     | M 8 DIN 985         |
| 5   | EA 369     | 1    | Locking screw                           | VSTI R 1/1"         |
| 6   | EA1207     | 1    | Locking screw                           | VSTI R 5/4"-ED      |
| 7   | EA1512     | 1    | Shut-off cock                           | G 1 1/4"            |
| 8   | EA 163     | 1    | Double nipple                           | R 1 1/4"            |
| 9   | HTR 750    | 2    | Rubber mat                              |                     |
| 10  | EA 027     | 1    | Oil gauge                               |                     |
| 11  | EA 442     | 1    | Locking screw                           | VSTI R3/8"          |
| 12  | EA1688     | 1    | Sleeve                                  |                     |
| 13  | EA1411     | 1    | Return filter, cpl.<br>(+14)            | 80 l/min            |
|     | TD 519     | 1    | Seal kit                                |                     |
| 14  | EA1412     | 1    | Filter element                          | 80 l/min            |
|     | BZ204S     | 0    | Filter element, cpl.<br>(page 100.0100) |                     |
| 15  | EZ1308     | 1    | Cap + filter                            |                     |
| 16  | EK 043     | 1    | Washer                                  | D 6.4 DIN 134       |
| 17  | ES 080     | 1    | Screw                                   | M 6x35 DIN 6912     |
| 18  | ES 011     | 2    | Screw                                   | M 8x30 ISO4762-10.9 |
| 19  | EK 003     | 2    | Washer                                  | D 8.4 ISO7089       |
| 20  | EA1514     | 1    | Fitting                                 | GE 18-LR 1/1-ed     |
| 21  | EA 344     | 1    | Blind plug                              | BUZ 18 L            |
| 22  | EA 238     | 1    | Nut                                     | M 18-L              |
| 23  | BKA21      | 1    | Oil cooler                              | 8,5 kW 12V          |
|     | EZ1568     | 0    | Ventilator with motor                   | 12 V                |
|     | EZ1574     | 0    | Screen                                  |                     |
|     | EZ1575     | 0    | Spacing piece                           |                     |
|     | EZ2572     | 0    | Thermostat                              | ILLZTT5067K         |
|     | EZ1572     | 0    | Temperature sensor                      | 12 V                |
|     | EZ1574     | 0    | Screen                                  |                     |
|     | EZ1575     | 0    | Spacing piece                           |                     |
| 23  | BKA24      | 1    | Oil cooler                              | 8,5 kW 24V          |
|     | EZ1569     | 0    | Ventilator with motor                   | 24 V                |
|     | EZ2572     | 0    | Thermostat                              | ILLZTT5067K         |
|     | EZ1573     | 0    | Temperature sensor                      | 24 V                |
| 24  | EA1411A    | 1    | Return filter, cpl.                     | 80 l/min            |
|     | EA1528     | 0    | Filter cover                            |                     |
|     | EZ6006     | 0    | Cap + filter                            |                     |
|     | EA5811     | 0    | Filter element                          | 80 l/min            |

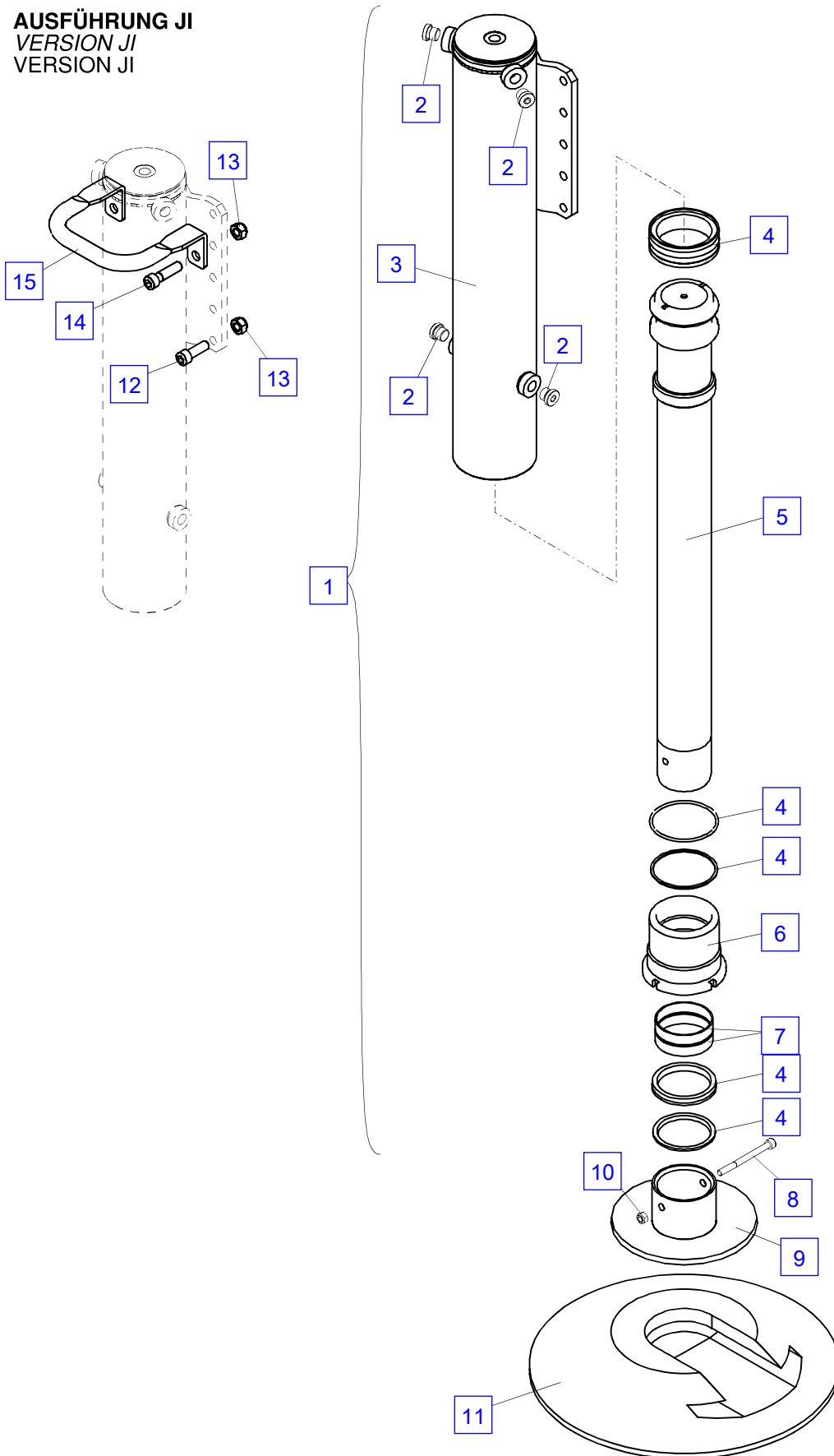


**Ersatzteile siehe KTK0000**  
*Spare parts look KTK0000*  
*Pieces de rechange voir KTK0000*

Stabilizer ram-STZS

| No. | Spare part | Qty. | Description          | Dimension            |
|-----|------------|------|----------------------|----------------------|
| 1   | UP1095     | 1    | Stabilizer ram       | l=782-1202 mm        |
| 2   | EA 442     | 4    | Locking screw        | VSTI R3/8"           |
| 3   | HY1052     | 1    | Cylinder tube        |                      |
| 4   | TD 596     | 1    | Seal kit (+7)        |                      |
| 5   | HSK 109A   | 1    | Piston rod           |                      |
| 6   | HV 371     | 1    | Cylinder nut         | M095x2.0 d070xL090   |
| 7   | EG 051     | 2    | Guide ring           | 75x70x15             |
| 8   | ES1161     | 1    | Screw                | M 8x100 ISO4762- 8.8 |
| 9   | HD 008     | 1    | Stabilizer plates    | STT="Std"            |
| 9   | HD 063     | 1    | Stabilizer extension | STT="190"            |
| 10  | EM 026     | 1    | Nut                  | M 8 DIN 985          |
| 11  | EZ 872     | 1    | Stabilizer plates    | D 400                |
| 12  | ES 157     | 8    | Screw                | M 12x35 ISO4762-10.9 |
| 13  | EM 023     | 10   | Nut                  | M 12 DIN 985         |
| 14  | ES 173     | 2    | Screw                | M 12x45 ISO4762-10.9 |
| 15  | HAU 197    | 1    | Stirrup              |                      |

**AUSFÜHRUNG JI**  
VERSION JI  
VERSION JI



**Stützteller nicht im Lieferumfang enthalten, diese müssen als Zubehör gesondert bestellt werden.**  
*The support plates are not included in the delivery, they must be ordered separately as accessories.*  
*Les pieds de bequille ne font pas partie de la fourniture ils doivent être commandés séparément comme accessoires.*

## Pipes-Support STZS

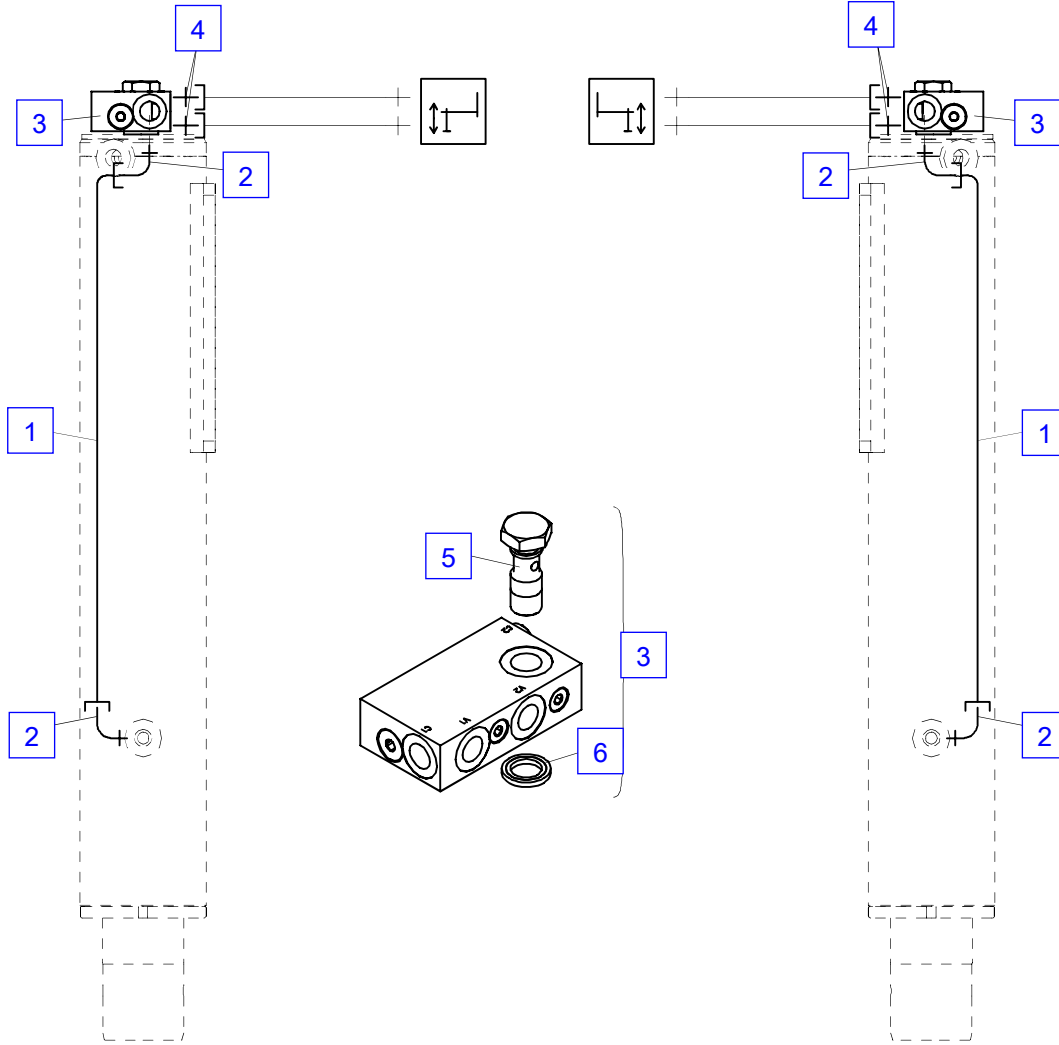
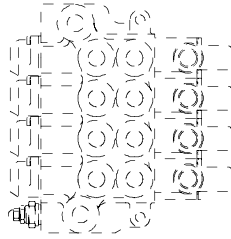
| No. | Spare part | Qty. | Description   | Dimension |
|-----|------------|------|---------------|-----------|
| 1   | HLR 9284JI | 2    | Pipe          | D 12      |
| 2   | EA 942     | 4    | Angle fitting | 8C40XS    |
| 3   | EV4109A    | 2    | Check valve   |           |
|     | TD 264     | 0    | Seal kit      |           |
| 4   | EA 928     | 4    | Fitting       | 8F40XS    |
| 5   | EA5792     | 1    | Banjo bolt    |           |
| 6   | ED 620     | 1    | Sealing ring  | KD 3/8"   |



**AUSFÜHRUNG JI**  
VERSION JI  
VERSION JI

**A-Seite**  
Side-A  
Cote-A

**B-Seite**  
Side-B  
Cote-B



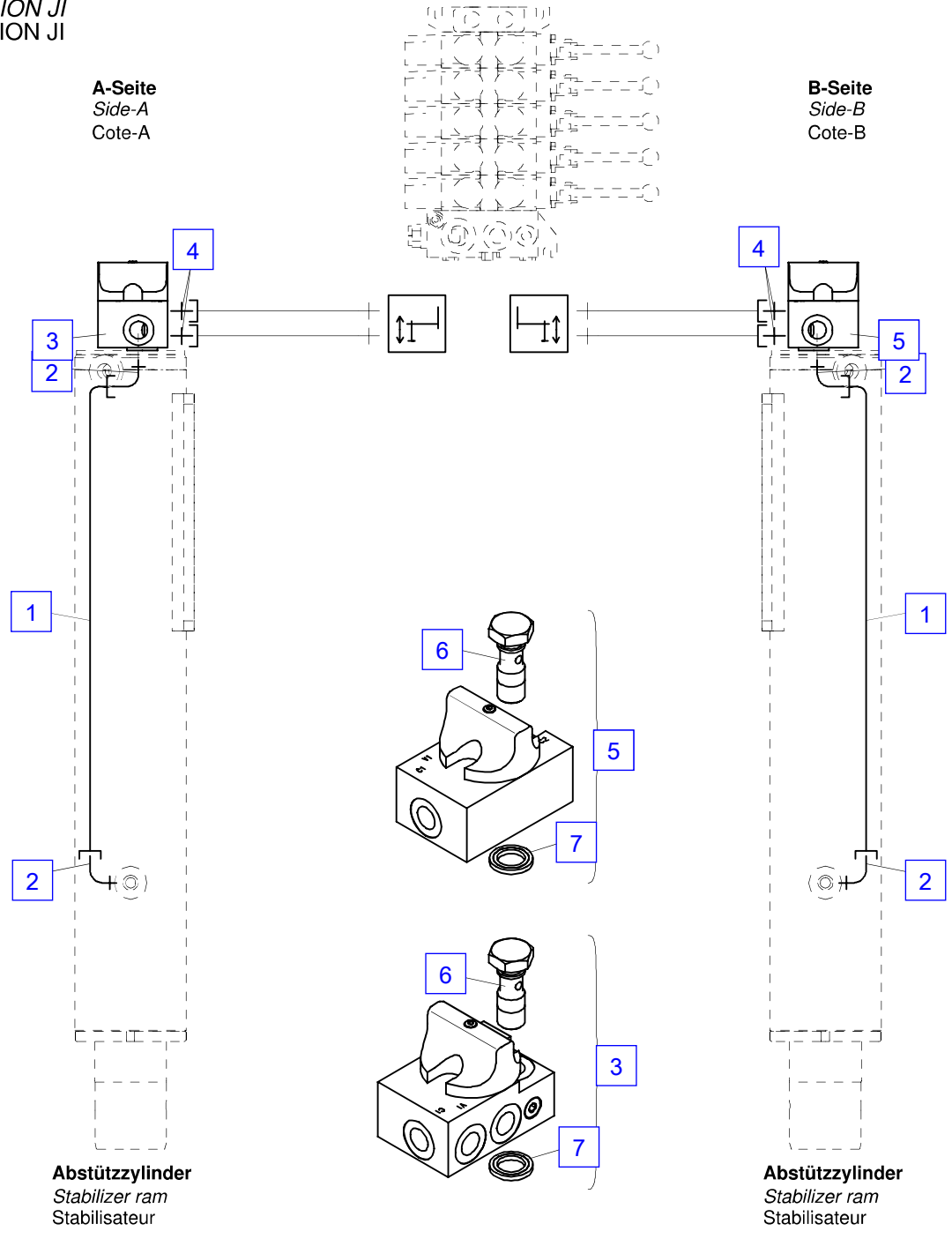
**Abstützylinder**  
Stabilizer ram  
Stabilisateur

**Abstützylinder**  
Stabilizer ram  
Stabilisateur

Pipes-Support STZS

| No. | Spare part | Qty. | Description       | Dimension |
|-----|------------|------|-------------------|-----------|
| 1   | HLR 9284JI | 2    | Pipe              | D 12      |
| 2   | EA 942     | 4    | Angle fitting     | 8C40XS    |
| 3   | EV4418A    | 1    | Check valve, cpl. |           |
|     | TD 264     | 1    | Seal kit          |           |
|     | TD 848     | 0    | Seal kit          |           |
| 4   | EA 928     | 4    | Fitting           | 8F40XS    |
| 5   | EV4110A    | 1    | Check valve, cpl. |           |
|     | TD 264     | 1    | Seal kit          |           |
|     | TD 848     | 0    | Seal kit          |           |
| 6   | EA1449     | 2    | Banjo bolt        |           |
| 7   | ED 620     | 2    | Sealing ring      | KD 3/8"   |

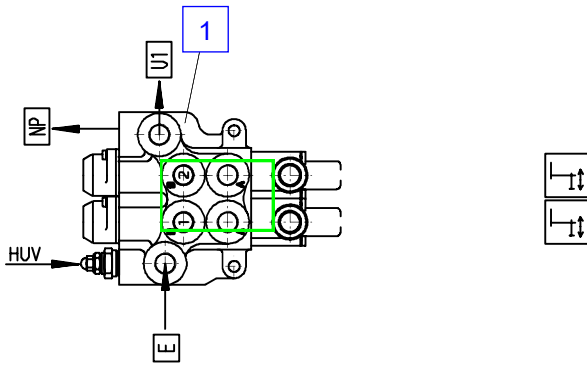
**AUSFÜHRUNG JI**  
VERSION JI  
VERSION JI



Control valve-stabil.

| No. | Spare part | Qty. | Description  | Dimension        |
|-----|------------|------|--|------------------|
| 1   | KSC00012A  | 1    | Control valve (2-sections)<br>cpl.(2-sections)<br>(R1,R2)      |                  |
|     | EV4410     | 1    | Control valve  | VDM07            |
|     | EA 039     | 0    | Fitting  | GE 12S R3/8"-ED  |
|     | EA 746     | 0    | Locking screw  | vsti M 18x1.5    |
|     | EA 769     | 0    | Fitting  | GE 16 SR 3/8"-ED |
|     | HLA 376    | 0    | Fitting  | GE 18L R3/8"-ED  |
| 1   | KSC00234A  | 1    | Control valve (2-sections)<br>(2-sections)<br>(RSQ 240 RC)     |                  |
|     | EV4410     | 1    | Control valve  | VDM07            |
|     | EA 039     | 0    | Fitting  | GE 12S R3/8"-ED  |
|     | EA 746     | 0    | Locking screw  | vsti M 18x1.5    |
|     | HLA 376    | 0    | Fitting  | GE 18L R3/8"-ED  |
| 2   | KSC00013A  | 1    | Control valve (4-sections)<br>cpl.(4-sections)<br>(R2X,R3X)    |                  |
|     | EV4411     | 1    | Control valve  | VDM07            |
|     | EA 039     | 0    | Fitting  | GE 12S R3/8"-ED  |
|     | EZ3289     | 0    | Restrictor   | 2.2 mm           |
|     | EA 746     | 0    | Locking screw  | vsti M 18x1.5    |
|     | EA 769     | 0    | Fitting  | GE 16 SR 3/8"-ED |
|     | HLA 376    | 0    | Fitting  | GE 18L R3/8"-ED  |
|     | EZ3289     | 0    | Restrictor   | 2.2 mm           |
| 2   | KSC00235A  | 1    | Control valve (4-sections)<br>cpl.(4-sections)<br>(RSQ 240 RC) |                  |
|     | EV4411     | 1    | Control valve  | VDM07            |
|     | EA 039     | 0    | Fitting  | GE 12S R3/8"-ED  |
|     | EA 746     | 0    | Locking screw  | vsti M 18x1.5    |
|     | HLA 376    | 0    | Fitting  | GE 18L R3/8"-ED  |

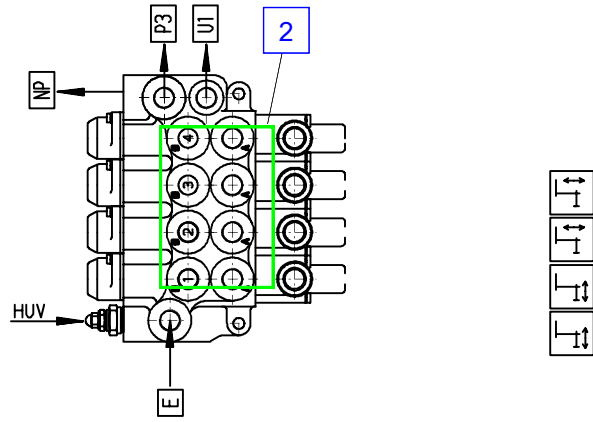
**R1,R2  
RSQ 240 RC**



**Ersatzteile siehe KSC0000**  
Spare parts look KSC0000  
Pieces de rechange voir KSC0000

**R1,R2(RSQ 240 RC)**

**R2X,R3X  
RSQ 240 RC**



**Ersatzteile siehe KSC0000**  
Spare parts look KSC0000  
Pieces de rechange voir KSC0000

**R3X(RSQ 240 RC)**

**KSC00234A / EV-4410**

|     | Ventil<br>Valve<br>Soupape | Druck/bar<br>Pressure/bar<br>Pression/bar | Verschraubung<br>Adaptor<br>Raccord | Drossel<br>Restrictor<br>Etranglement | Hebel<br>Leve<br>Lever | Element<br>Element<br>Element |
|-----|----------------------------|---|-------------------------------------|---------------------------------------|------------------------|-------------------------------|
| HUV | EV-990                     | 160                                       |                                     |                                       |                        |                               |
| P   | E                          |   | EA-039                              |                                       |                        |                               |
| T   | U1                         |   | HLA-376                             |                                       |                        |                               |
|     | NP                         |   | EA-746                              |                                       |                        |                               |
| 1   | A                          | ---                                       | EA-039                              | -                                     |                        |                               |
|     | B                          | ---                                       | EA-039                              | -                                     |                        |                               |
| 2   | A                          | ---                                       | EA-039                              | -                                     |                        |                               |
|     | B                          | ---                                       | EA-039                              | -                                     |                        |                               |

**KSC00235A / EV-4411**

|     | Ventil<br>Valve<br>Soupape | Druck/bar<br>Pressure/bar<br>Pression/bar | Verschraubung<br>Adaptor<br>Raccord | Drossel<br>Restrictor<br>Etranglement | Hebel<br>Leve<br>Lever | Element<br>Element<br>Element |
|-----|----------------------------|---|-------------------------------------|---------------------------------------|------------------------|-------------------------------|
| HUV | EV-990                     | 160                                       |                                     |                                       |                        |                               |
| P   | E                          |   | EA-039                              |                                       |                        |                               |
|     | P3                         |   | EA-746                              |                                       |                        |                               |
| T   | U1                         |   | HLA-376                             |                                       |                        |                               |
|     | NP                         |   | EA-746                              |                                       |                        |                               |
| 1   | A                          | ---                                       | EA-039                              | -                                     |                        |                               |
|     | B                          | ---                                       | EA-039                              | -                                     |                        |                               |
| 2   | A                          | ---                                       | EA-039                              | -                                     |                        |                               |
|     | B                          | ---                                       | EA-039                              | -                                     |                        |                               |
| 3   | A                          | ---                                       | EA-039                              | EZ3289                                |                        |                               |
|     | B                          | ---                                       | ---                                 | ---                                   |                        |                               |
| 4   | A                          | ---                                       | EA-039                              | EZ3289                                |                        |                               |
|     | B                          | ---                                       | ---                                 | ---                                   |                        |                               |

**R1,R2**

**KSC00012A / EV-4410**

|     | Ventil<br>Valve<br>Soupape | Druck/bar<br>Pressure/bar<br>Pression/bar | Verschraubung<br>Adaptor<br>Raccord | Drossel<br>Restrictor<br>Etranglement | Hebel<br>Leve<br>Lever | Element<br>Element<br>Element |
|-----|----------------------------|---|-------------------------------------|---------------------------------------|------------------------|-------------------------------|
| HUV | EV-990                     | 160                                       |                                     |                                       |                        |                               |
| P   | E                          |   | EA-769                              |                                       |                        |                               |
| T   | U1                         |   | HLA-376                             |                                       |                        |                               |
|     | NP                         |   | EA-746                              |                                       |                        |                               |
| 1   | A                          | ---                                       | EA-039                              | -                                     |                        |                               |
|     | B                          | ---                                       | EA-039                              | -                                     |                        |                               |
| 2   | A                          | ---                                       | EA-039                              | -                                     |                        |                               |
|     | B                          | ---                                       | EA-039                              | -                                     |                        |                               |

**R2X,R3X**

**KSC00013A / EV-4411**

|     | Ventil<br>Valve<br>Soupape | Druck/bar<br>Pressure/bar<br>Pression/bar | Verschraubung<br>Adaptor<br>Raccord | Drossel<br>Restrictor<br>Etranglement | Hebel<br>Leve<br>Lever | Element<br>Element<br>Element |
|-----|----------------------------|---|-------------------------------------|---------------------------------------|------------------------|-------------------------------|
| HUV | EV-990                     | 160                                       |                                     |                                       |                        |                               |
| P   | E                          |   | EA-769                              |                                       |                        |                               |
|     | P3                         |   | EA-746                              |                                       |                        |                               |
| T   | U1                         |   | HLA-376                             |                                       |                        |                               |
|     | NP                         |   | EA-746                              |                                       |                        |                               |
| 1   | A                          | ---                                       | EA-039                              | -                                     |                        |                               |
|     | B                          | ---                                       | EA-039                              | -                                     |                        |                               |
| 2   | A                          | ---                                       | EA-039                              | -                                     |                        |                               |
|     | B                          | ---                                       | EA-039                              | -                                     |                        |                               |
| 3   | A                          | ---                                       | EA-039                              | EZ3289                                |                        |                               |
|     | B                          | ---                                       | ---                                 | ---                                   |                        |                               |
| 4   | A                          | ---                                       | EA-039                              | EZ3289                                |                        |                               |
|     | B                          | ---                                       | ---                                 | ---                                   |                        |                               |

**Steuerventil** Control valve Distributeur de commande

KSC = mit Verschraubungen und Ventilen  
KSC = with adaptors and valves  
KSC = avec raccords et soupapes

HUV = Hauptüberdruckventil  
HUV = Main relief valve  
HUV = Soupape de surpression principal

O = mit Überlastsicherung F = ferngesteuert  
O = with overload protection F = remote controlled  
O = avec soupape de surcharge F = télécommand

EV = KSC ohne Verschraubungen und Ventilen  
EV = KSC without adaptors and valves  
EV = KSC sans raccords et soupapes

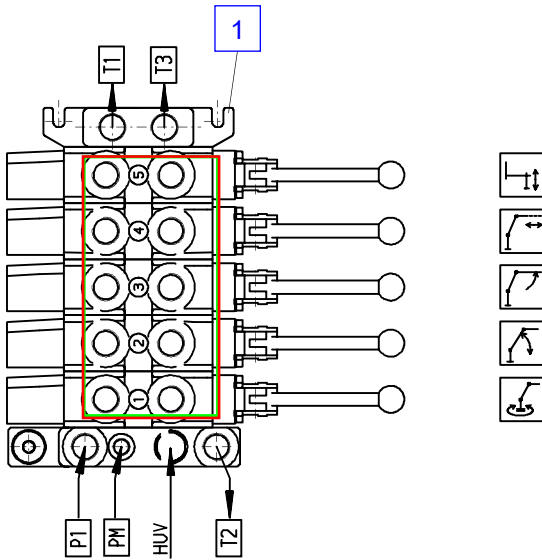
P,T = Versorgungsanschlüsse  
P,T = Supply connections  
P,T = Raccords de alimentation

x = offene Nullstellung - Schieberstange muß gesondert bestellt werden  
x = neutral position open - Spool must be ordered separately  
x = position neutral ouvert - on doit ordre le tiroir de distributeur separe

Control valve-F

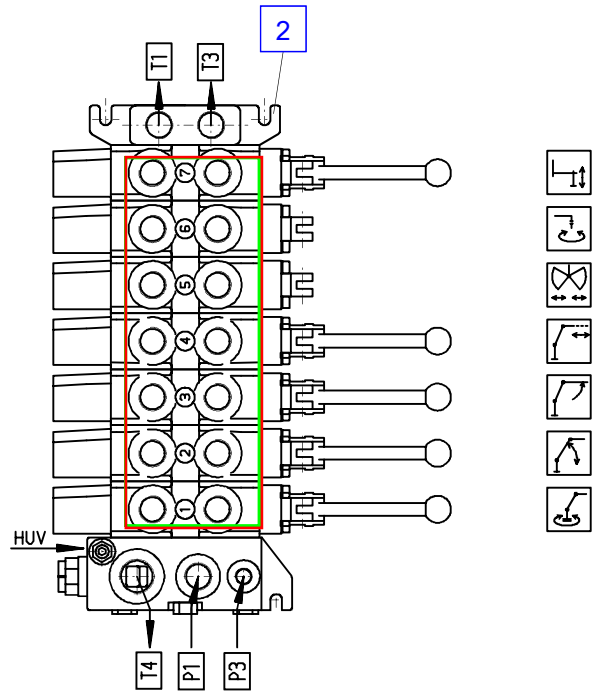
| No. | Spare part | Qty. | Description  | Dimension       |
|-----|------------|------|--|-----------------|
| 1   | EV5623     | 1    | Control valve<br>cpl.(5-sections)<br>without EA.,EV.,HH. |                 |
|     | EA 074     | 0    | Fitting  | GE 16S R1/2"-ED |
|     | EA 183     | 0    | Fitting  | GE 12S R1/2"-ED |
|     | EA 240     | 0    | Fitting  | GE 18 L R1/2"   |
|     | EA1646     | 0    | Fitting  | GE 12K R1/2" ED |
|     | EA1645     | 1    | Circlip  | WEO 1/2"        |
| 2   | EV5624     | 1    | Control valve<br>cpl.(7-sections)<br>without EA.,EV.,HH. |                 |
|     | EA 074     | 0    | Fitting  | GE 16S R1/2"-ED |
|     | EA 183     | 0    | Fitting  | GE 12S R1/2"-ED |
|     | EA 261     | 0    | Locking screw  | VSTI R1/2"      |
|     | EA1646     | 0    | Fitting  | GE 12K R1/2" ED |
|     | EA1645     | 1    | Circlip  | WEO 1/2"        |

**F**



**Ersatzteile siehe KSC0000**  
 Spare parts look KSC0000  
 Pieces de rechange voir KSC0000

**F**



**Ersatzteile siehe KSC0000**  
 Spare parts look KSC0000  
 Pieces de rechange voir KSC0000

| / EV-5623 |                            |   |                                     |                                       |                        |                               | / EV-5624 |                            |   |                                     |                                       |                        |                               |         |         |
|-----------|----------------------------|---|-------------------------------------|---------------------------------------|------------------------|-------------------------------|-----------|----------------------------|---|-------------------------------------|---------------------------------------|------------------------|-------------------------------|---------|---------|
|           | Ventil<br>Valve<br>Soupape | Druck/bar<br>Pressure/bar<br>Pression/bar | Verschraubung<br>Adaptor<br>Raccord | Drossel<br>Restrictor<br>Etranglement | Hebel<br>Leve<br>Lever | Element<br>Element<br>Element |           | Ventil<br>Valve<br>Soupape | Druck/bar<br>Pressure/bar<br>Pression/bar | Verschraubung<br>Adaptor<br>Raccord | Drossel<br>Restrictor<br>Etranglement | Hebel<br>Leve<br>Lever | Element<br>Element<br>Element |         |         |
| HUV       | EV-5118                    |   |                                     |                                       |                        |                               | HUV       | EV-2718                    |   |                                     |                                       |                        |                               |         |         |
| P         | P1                         |   | EA-074                              |                                       |                        |                               | P         | P1                         |   | EA-074                              |                                       |                        |                               |         |         |
| T         | T1                         |   | EA-240                              |                                       |                        |                               | T         | P3                         |   | EA-716                              |                                       |                        |                               |         |         |
|           | T2                         |   | -                                   |                                       |                        |                               |           | T1                         |   | -                                   |                                       |                        |                               |         |         |
|           | T3                         |   | -                                   |                                       |                        |                               |           | T3                         |   | -                                   |                                       |                        |                               |         |         |
| 1         | A EV-043                   | 160                                       | EA-590                              | HD-376                                |                        | HH-425                        | EV-5656   | 1                          | A EV-043                                  | 160                                 | EA-590                                | HD-376                 | HH-425                        | EV-5663 |         |
|           | B EV-043                   | 160                                       | EA-590                              | HD-376                                |                        |                               |           |                            | B EV-043                                  | 160                                 | EA-590                                | HD-376                 |                               |         |         |
| 2         | A EV-044                   | 330                                       | EA-1646                             | -                                     | 0                      | HH-411                        | EV-5657   | 2                          | A EV-044                                  | 330                                 | EA-1646                               | -                      | 0                             | HH-411  | EV-5664 |
|           | B EV-044                   | 120                                       | EA-1646                             | -                                     |                        |                               | EV-5659   |                            | B EV-044                                  | 120                                 | EA-1646                               | -                      |                               | EV-5033 |         |
| 3         | A -----                    | ---                                       | EA-1646                             | -                                     |                        | HH-411                        | EV-5659   | 3                          | A -----                                   | ---                                 | EA-1646                               | -                      |                               | HH-411  | EV-5666 |
|           | B -----                    | ---                                       | EA-1646                             | -                                     |                        |                               |           |                            | B -----                                   | ---                                 | EA-1646                               | -                      |                               |         |         |
| 4         | A -----                    | ---                                       | EA-1646                             | -                                     |                        | HH-411                        | EV-5661   | 4                          | A -----                                   | ---                                 | EA-1646                               | -                      |                               | HH-411  | EV-5667 |
|           | B -----                    | ---                                       | EA-1646                             | -                                     |                        |                               |           |                            | B -----                                   | ---                                 | EA-1646                               | -                      |                               |         |         |
| 5         | A EV-044                   | 080                                       | EA-183                              | -                                     |                        | HH-427                        | EV-5027   | 5                          | A EV-049                                  | ---                                 | EA-261                                | -                      |                               | -       | EV-5027 |
|           | B EV-049                   | ---                                       | EA-183                              | -                                     |                        |                               |           |                            | B EV-049                                  | ---                                 | EA-261                                | -                      |                               |         |         |
|           |                            |   |                                     |                                       |                        |                               |           | 6                          | A EV-049                                  | ---                                 | EA-261                                | -                      |                               | -       | EV-5027 |
|           |                            |   |                                     |                                       |                        |                               |           |                            | B EV-049                                  | ---                                 | EA-261                                | -                      |                               |         |         |
|           |                            |   |                                     |                                       |                        |                               |           | 7                          | A EV-049                                  | ---                                 | EA-183                                | -                      |                               | -       | EV-5027 |
|           |                            |   |                                     |                                       |                        |                               |           |                            | B EV-049                                  | ---                                 | EA-183                                | -                      |                               |         |         |

**Steuerventil** Control valve Distributeur de commande

**KSC = mit Verschraubungen und Ventilen**  
 KSC = with adaptors and valves  
 KSC = avec raccords et soupapes

**HUV = Hauptüberdruckventil**  
 HUV = Main relief valve  
 HUV = Soupape de surpression principal

**O = mit Überlastsicherung**  
 O = with overload protection  
 O = avec soupape de surcharge

**F = ferngesteuert**  
 F = remote controlled  
 F = télécommand

**EV = KSC ohne Verschraubungen und Ventilen**  
 EV = KSC without adaptors and valves  
 EV = KSC sans raccords et soupapes

**P,T = Versorgungsanschlüsse**  
 P,T = Supply connections  
 P,T = Raccords de alimentation

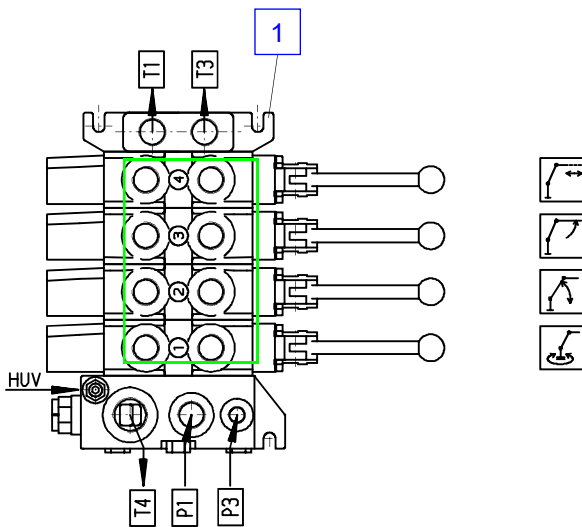
**x = offene Nullstellung - Schieberstange muß gesondert bestellt werden**  
 x = neutral position open - Spool must be ordered separately  
 x = position neutral ouvert - on doit ordre le tiroir de distributeur separe

Control valve-F,H-KL0

| No. | Spare part | Qty. | Description  | Dimension       |
|-----|------------|------|--|-----------------|
| 1   | EV5622     | 1    | Control valve<br>cpl.(4-sections)<br>without EA.,EV.,HH. |                 |
|     | EA 074     | 0    | Fitting  | GE 16S R1/2"-ED |
|     | EA 240     | 0    | Fitting  | GE 18 L R1/2"   |
|     | EA 243     | 0    | Fitting  | GE 18 L R3/4"   |
|     | EA1646     | 0    | Fitting  | GE 12K R1/2" ED |
|     | EA1645     | 1    | Circlip  | WEO 1/2"        |
| 2   | EV5625     | 1    | Control valve<br>cpl.(6-sections)<br>without EA.,EV.,HH. |                 |
|     | EA 074     | 0    | Fitting  | GE 16S R1/2"-ED |
|     | EA 243     | 0    | Fitting  | GE 18 L R3/4"   |
|     | EA 261     | 0    | Locking screw  | VSTI R1/2"      |
|     | EA1646     | 0    | Fitting  | GE 12K R1/2" ED |
|     | EA1645     | 1    | Circlip  | WEO 1/2"        |

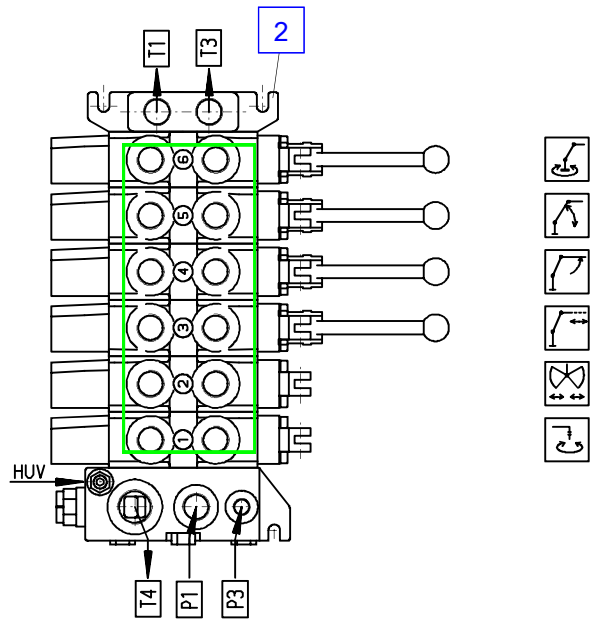


**F**



**Ersatzteile siehe KSC0000**  
 Spare parts look KSC0000  
 Pieces de rechange voir KSC0000

**H HH-433 (—>0722793)**  
**HH-433A (0722794—>)**



**Ersatzteile siehe KSC0000**  
 Spare parts look KSC0000  
 Pieces de rechange voir KSC0000

| / EV-5622 |                            |   |                                     |                                       |                        |                               |        | / EV-5625 |                            |   |                                     |                                       |                        |                               |         |         |         |
|-----------|----------------------------|---|-------------------------------------|---------------------------------------|------------------------|-------------------------------|--------|-----------|----------------------------|---|-------------------------------------|---------------------------------------|------------------------|-------------------------------|---------|---------|---------|
|           | Ventil<br>Valve<br>Soupape | Druck/bar<br>Pressure/bar<br>Pression/bar | Verschraubung<br>Adaptor<br>Raccord | Drossel<br>Restrictor<br>Etranglement | Hebel<br>Leve<br>Lever | Element<br>Element<br>Element |        |           | Ventil<br>Valve<br>Soupape | Druck/bar<br>Pressure/bar<br>Pression/bar | Verschraubung<br>Adaptor<br>Raccord | Drossel<br>Restrictor<br>Etranglement | Hebel<br>Leve<br>Lever | Element<br>Element<br>Element |         |         |         |
| HUV       | EV-2718                    |   |                                     |                                       |                        |                               |        | HUV       | EV-2718                    |   |                                     |                                       |                        |                               |         |         |         |
| P         | P1                         |   | EA-074                              |                                       |                        |                               |        | P         | P1                         |   | EA-074                              |                                       |                        |                               |         |         |         |
|           | P3                         |   | EA-716                              |                                       |                        |                               |        |           | P3                         |   | EA-716                              |                                       |                        |                               |         |         |         |
| T         | T1                         |   | EA-074                              |                                       |                        |                               |        | T         | T1                         |   | EA-074                              |                                       |                        |                               |         |         |         |
|           | T3                         |   | EA-240                              |                                       |                        |                               |        |           | T3                         |   | -                                   |                                       |                        |                               |         |         |         |
|           | T4                         |   | EA-243                              |                                       |                        |                               |        |           | T4                         |   | EA-243                              |                                       |                        |                               |         |         |         |
| 1         | A                          | EV-043                                    | 160                                 | EA-590                                | HD-376                 |                               | HH-425 | EV-5663   | 1                          | A   | EV-049                              | ---                                   | EA-261                 | -                             |         | EV-5027 |         |
|           | B                          | EV-043                                    | 160                                 | EA-590                                | HD-376                 |                               |        |           | B                          | EV-049                                    | ---                                 | EA-261                                | -                      |                               |         |         |         |
| 2         | A                          | EV-044                                    | 330                                 | EA-1646                               | -                      | 0                             | HH-411 | EV-5664   | 2                          | A   | EV-049                              | ---                                   | EA-261                 | -                             |         | EV-5027 |         |
|           | B                          | EV-044                                    | 120                                 | EA-1646                               | -                      |                               |        | EV-5033   | B                          | EV-049                                    | ---                                 | EA-261                                | -                      |                               |         |         |         |
| 3         | A                          | -----                                     | ---                                 | EA-1646                               | -                      |                               | HH-411 | EV-5666   | 3                          | A   | -----                               | ---                                   | EA-1646                | -                             | HH-433  | EV-5668 |         |
|           | B                          | -----                                     | ---                                 | EA-1646                               | -                      |                               |        |           | B                          | -----                                     | ---                                 | EA-1646                               | -                      | HH-433A                       |         |         |         |
| 4         | A                          | -----                                     | ---                                 | EA-1646                               | -                      |                               | HH-411 | EV-5667   | 4                          | A   | -----                               | ---                                   | EA-1646                | -                             | HH-433  | EV-5670 |         |
|           | B                          | -----                                     | ---                                 | EA-1646                               | -                      |                               |        |           | B                          | -----                                     | ---                                 | EA-1646                               | -                      | HH-433A                       |         |         |         |
|           |                            |   |                                     |                                       |                        |                               |        |           | 5                          | A   | EV-044                              | 120                                   | EA-1646                | -                             | 0       | HH-433  | EV-5665 |
|           |                            |   |                                     |                                       |                        |                               |        |           | B                          | EV-044                                    | 330                                 | EA-1646                               | -                      |                               | HH-433A | EV-5034 |         |
|           |                            |   |                                     |                                       |                        |                               |        |           | 6                          | A   | EV-043                              | 160                                   | EA-590                 | HD-376                        |         | HH-433  | EV-5663 |
|           |                            |   |                                     |                                       |                        |                               |        |           | B                          | EV-043                                    | 160                                 | EA-590                                | HD-376                 |                               | HH-433A |         |         |

**Steuerventil** Control valve Distributeur de commande

**KSC = mit Verschraubungen und Ventilen**  
 KSC = with adaptors and valves  
 KSC = avec raccords et soupapes

**HUV = Hauptüberdruckventil**  
 HUV = Main relief valve  
 HUV = Soupape de surpression principal

**O = mit Überlastsicherung**  
 O = with overload protection  
 O = avec soupape de surcharge

**F = ferngesteuert**  
 F = remote controlled  
 F = télécommand

**EV = KSC ohne Verschraubungen und Ventilen**  
 EV = KSC without adaptors and valves  
 EV = KSC sans raccords et soupapes

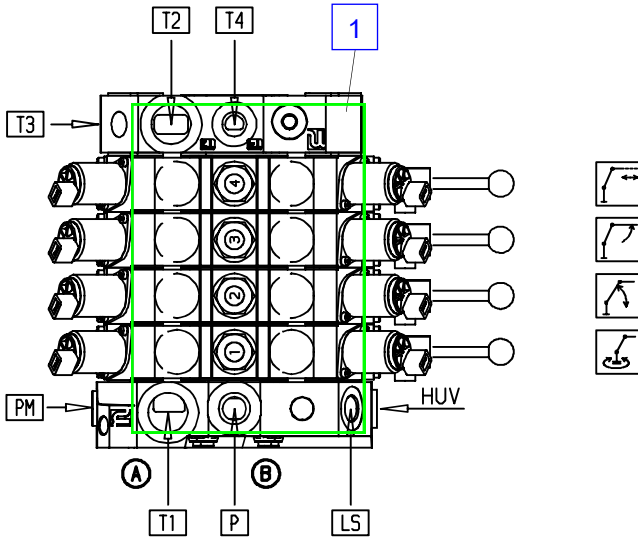
**P,T = Versorgungsanschlüsse**  
 P,T = Supply connections  
 P,T = Raccords de alimentation

**x = offene Nullstellung - Schieberstange muß gesondert bestellt werden**  
 x = neutral positon open - Spool must be ordered separatly  
 x = position neutral ouvert - on doit ordre le tiroir de distributeur separe

Control valve RSQ 240 RC

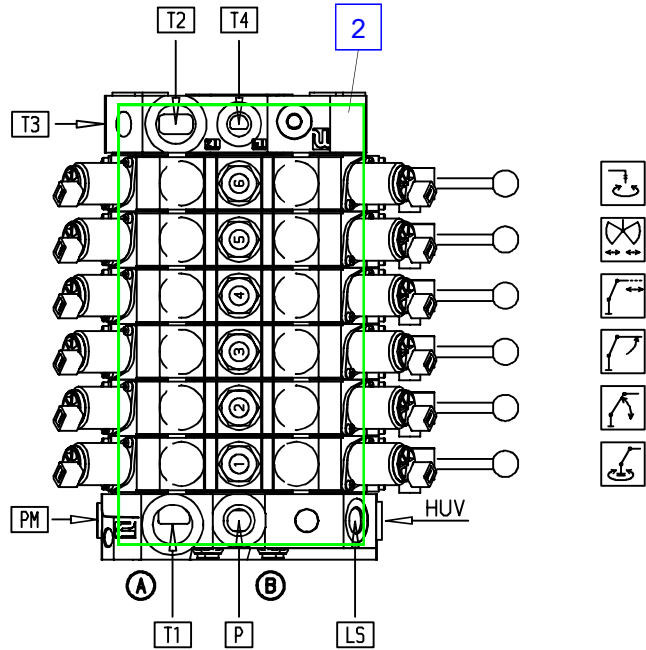
| No. | Spare part  | Qty. | Description   | Dimension       |
|-----|-------------|------|---|-----------------|
| 1   | EV4961-12V  | 1    | Control valve<br>cpl.(4-sections)<br>(for overload<br>protection)     | 12V             |
|     | EV4961Z-12V | 0    | Control valve<br>cpl.(4-sections)<br>(without overload<br>protection) | 12V             |
|     | EV4961      | 0    | Control valve<br>cpl.(4-sections)<br>(for overload<br>protection)     | 24V             |
|     | EV4961Z-24V | 0    | Control valve<br>cpl.(4-sections)<br>(without overload<br>protection) | 24V             |
|     | EA 033      | 0    | Fitting   | GE 16 SR 3/4"ED |
|     | EA 183      | 0    | Fitting   | GE 12S R1/2"-ED |
|     | EA1052      | 0    | Fitting   | GE 8 S R3/8"    |
|     | EA1514      | 0    | Fitting   | GE 18-LR 1/1-ed |
| 2   | EV4966-12V  | 1    | Control valve   | 12V             |
|     | EV4966      | 0    | Control valve<br>cpl.(6-sections)<br>without EA.,EV.,HH.              | 24V             |
|     | EA 033      | 0    | Fitting   | GE 16 SR 3/4"ED |
|     | EA 183      | 0    | Fitting   | GE 12S R1/2"-ED |
|     | EA1052      | 0    | Fitting   | GE 8 S R3/8"    |
|     | EA1514      | 0    | Fitting   | GE 18-LR 1/1-ed |

**RSQ 240 RC**



**Ersatzteile siehe KSC0000**  
 Spare parts look KSC0000  
 Pieces de rechange voir KSC0000

**RSQ 240 RC**



**Ersatzteile siehe KSC0000**  
 Spare parts look KSC0000  
 Pieces de rechange voir KSC0000

| / EV-4961 |                            |   |                                     |                                       |                         |                               | / EV-4966 |                            |   |                                     |                                       |                         |                               |         |
|-----------|----------------------------|---|-------------------------------------|---------------------------------------|-------------------------|-------------------------------|-----------|----------------------------|---|-------------------------------------|---------------------------------------|-------------------------|-------------------------------|---------|
|           | Ventil<br>Valve<br>Soupape | Druck/bar<br>Pressure/bar<br>Pression/bar | Verschraubung<br>Adaptor<br>Raccord | Drossel<br>Restrictor<br>Etranglement | Hebel<br>Leve<br>Levier | Element<br>Element<br>Element |           | Ventil<br>Valve<br>Soupape | Druck/bar<br>Pressure/bar<br>Pression/bar | Verschraubung<br>Adaptor<br>Raccord | Drossel<br>Restrictor<br>Etranglement | Hebel<br>Leve<br>Levier | Element<br>Element<br>Element |         |
| HUV       | EV-2718                    |   |                                     |                                       |                         |                               | HUV       | EV-2718                    |   |                                     |                                       |                         |                               |         |
| P         |                            |   | EA-033                              |                                       |                         |                               | P         |                            |   | EA-033                              |                                       |                         |                               |         |
| PM        |                            |   | EA-716                              |                                       |                         |                               | PM        |                            |   | EA-716                              |                                       |                         |                               |         |
| LS        |                            |   | -                                   |                                       |                         |                               | LS        |                            |   | -                                   |                                       |                         |                               |         |
| T1        |                            |   | EA-1514                             |                                       |                         |                               | T1        |                            |   | EA-1514                             |                                       |                         |                               |         |
| T2        |                            |   | EA-1514                             |                                       |                         |                               | T2        |                            |   | EA-1514                             |                                       |                         |                               |         |
| T3        |                            |   | EA-1052                             |                                       |                         |                               | T3        |                            |   | EA-1052                             |                                       |                         |                               |         |
| T4        |                            |   | EA-183                              |                                       |                         |                               | T4        |                            |   | EA-183                              |                                       |                         |                               |         |
| 1         | A EV-4560                  | 160                                       | EA-590                              | HD-376                                |                         | HH-439                        | EV-4951   | A EV-4560                  | 160                                       | EA-590                              | HD-376                                | HH-439                  | EV-4951                       |         |
|           | B EV-4560                  | 160                                       | EA-590                              | HD-376                                |                         |                               |           | B EV-4560                  | 160                                       | EA-590                              | HD-376                                |                         |                               |         |
| 2         | A EV-4935                  | 120                                       | EA-1646                             | -                                     | 0                       | HH-439                        | EV-4952   | A EV-4935                  | 120                                       | EA-1646                             | -                                     | 0                       | HH-439                        | EV-4952 |
|           | B EV-5117                  | 325                                       | EA-1646                             | -                                     |                         |                               | EV-6239   | B EV-5117                  | 325                                       | EA-1646                             | -                                     |                         | EV-6239                       |         |
| 3         | A EV-4935                  | 175                                       | EA-1646                             | -                                     |                         | HH-439                        | EV-4953   | A EV-4935                  | 175                                       | EA-1646                             | -                                     |                         | HH-439                        | EV-4953 |
|           | B EV-5117                  | 325                                       | EA-1646                             | -                                     |                         |                               |           | B EV-5117                  | 325                                       | EA-1646                             | -                                     |                         |                               |         |
| 4         | A -----                    | ---                                       | EA-1646                             | -                                     |                         | HH-439                        | EV-4954   | A -----                    | ---                                       | EA-1646                             | -                                     |                         | HH-439                        | EV-4954 |
|           | B -----                    | ---                                       | EA-1646                             | -                                     |                         |                               |           | B -----                    | ---                                       | EA-1646                             | -                                     |                         |                               |         |
| 5         | A EV-4546                  | -   | EA-1646                             | -                                     |                         | HH-439                        | EV-4955   | A EV-4546                  | -   | EA-1646                             | -                                     |                         | HH-439                        | EV-4955 |
|           | B EV-4546                  | -   | EA-1646                             | -                                     |                         |                               |           | B EV-4546                  | -   | EA-1646                             | -                                     |                         |                               |         |
| 6         | A EV-4546                  | -   | EA-1646                             | -                                     |                         | HH-439                        | EV-4955   | A EV-4546                  | -   | EA-1646                             | -                                     |                         | HH-439                        | EV-4955 |
|           | B EV-4546                  | -   | EA-1646                             | -                                     |                         |                               |           | B EV-4546                  | -   | EA-1646                             | -                                     |                         |                               |         |

**Steuerventil** Control valve Distributeur de commande

**KSC = mit Verschraubungen und Ventilen**  
 KSC = with adaptors and valves  
 KSC = avec raccords et soupapes

**HUV = Hauptüberdruckventil**  
 HUV = Main relief valve  
 HUV = Soupape de surpression principal

**O = mit Überlastsicherung**  
 O = with overload protection  
 O = avec soupape de surcharge

**F = ferngesteuert**  
 F = remote controlled  
 F = télécommand

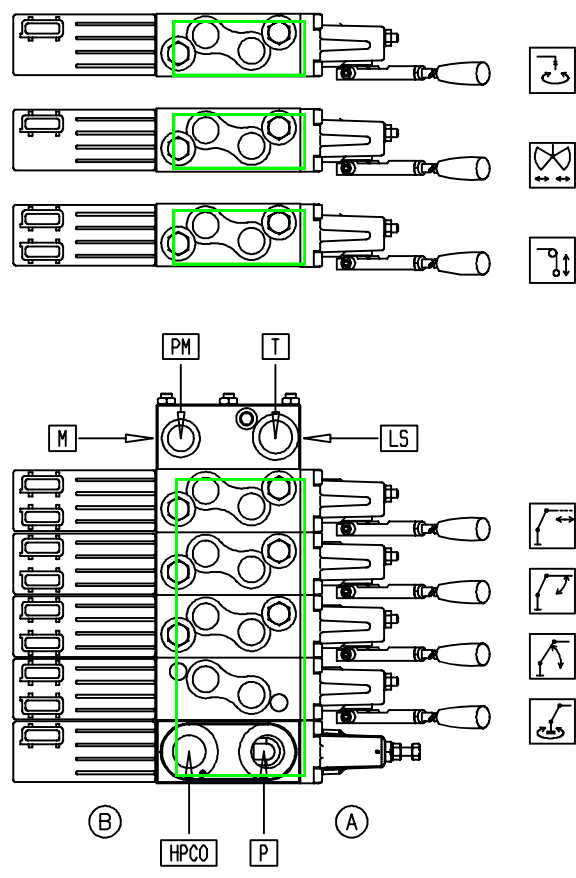
**EV = KSC ohne Verschraubungen und Ventilen**  
 EV = KSC without adaptors and valves  
 EV = KSC sans raccords et soupapes

**P,T = Versorgungsanschlüsse**  
 P,T = Supply connections  
 P,T = Raccords de alimentation

**x = offene Nullstellung - Schieberstange muß gesondert bestellt werden**  
 x = neutral position open - Spool must be ordered separately  
 x = position neutral ouvert - on doit ordre le tiroir de distributeur separe

## Control valve-RC001

| No. | Spare part | Qty. | Description           | Dimension       |
|-----|------------|------|-----------------------|-----------------|
| 1   | KSC00045B  | 1    | Control valve         | RC001           |
|     | EA 033     | 0    | Fitting               | GE 16 SR 3/4"ED |
|     | EA 089     | 0    | Fitting               | GE 08S R1/4"-ED |
|     | EA 097     | 0    | Fitting               | GE 20S R3/4"-ED |
|     | EA 261     | 0    | Locking screw         | VSTI R1/2"      |
|     | EA 330     | 0    | Fitting               | GE 22-L 3/4"-ED |
|     | EA 590     | 0    | Fitting               | GE 12 SR 1/2"ED |
|     | EA 716     | 0    | Dial gauge connection | EMA3 R1/4"      |
|     | EA1646     | 0    | Fitting               | GE 12K R1/2" ED |
|     | EA1645     | 1    | Circlip               | WEO 1/2"        |
|     | HD 376     | 0    | Restrictor            | D 1,5 mm        |



**Ersatzteile siehe PVG32**

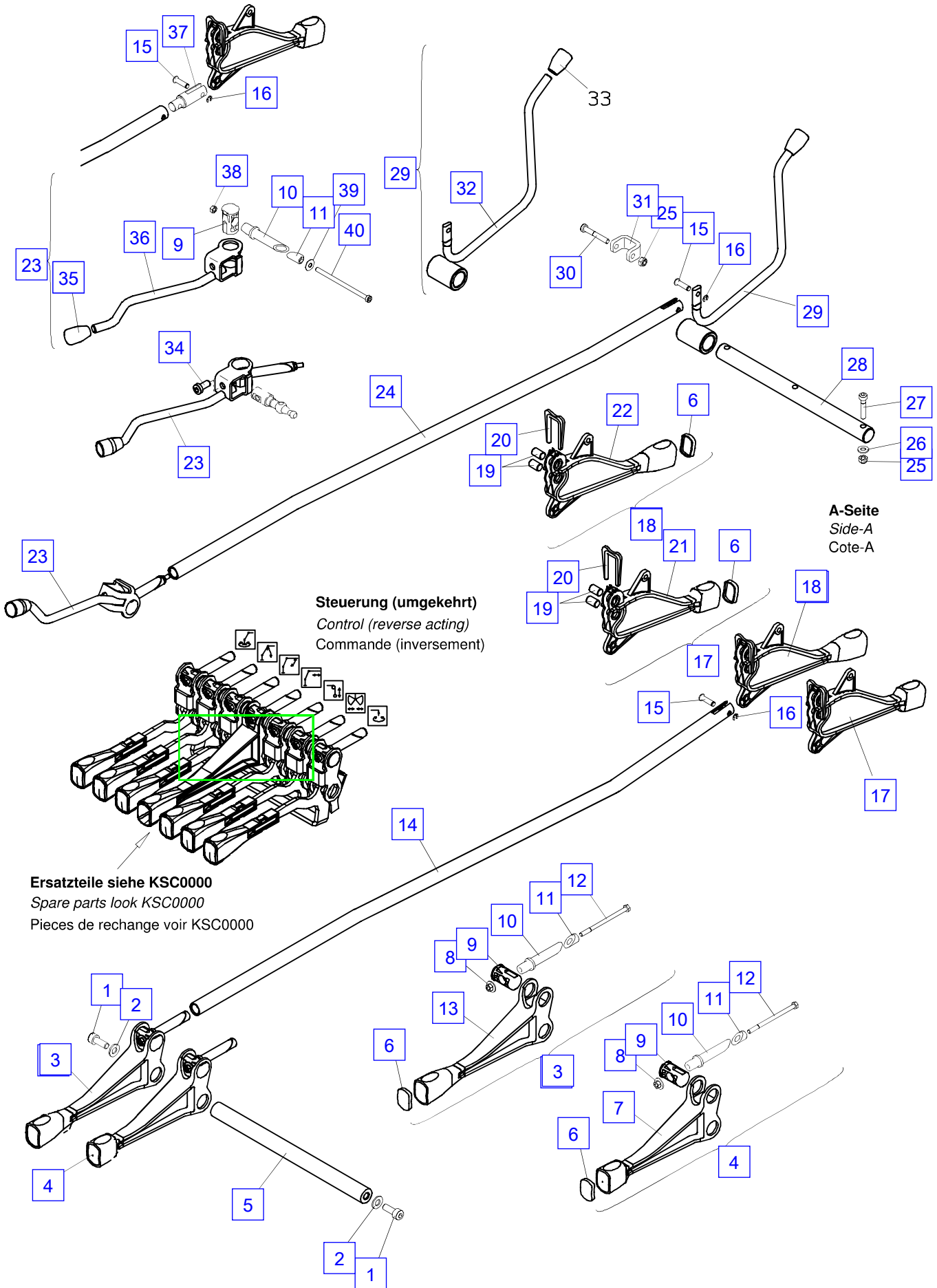
Spare parts look PVG32

Pieces de rechange voir PVG32

| OC | HUV 300 bar                    | HPCO EA-033    | P EA-097 | M EA-716                       | PM EA-261      | T EA-330 | LS ---    |
|----|--------------------------------|----------------|----------|--------------------------------|----------------|----------|-----------|
| CC | HUV 350 bar                    | HPCO EA-033    | P EA-097 | M EA-716                       | PM EA-261      | T EA-330 | LS EA-089 |
|    | A<br>EA-1646<br>175 bar        | LSA<br>---     | ---      | B<br>EA-1646<br>175 bar        | LSB<br>---     | ---      |           |
|    | A<br>EA-1646<br>175 bar        | LSA<br>---     | ---      | B<br>EA-1646<br>175 bar        | LSB<br>---     | ---      |           |
|    | A<br>EA-1646<br>---            | LSA<br>---     | 230 bar  | B<br>EA-1646<br>---            | LSB<br>---     | 100 bar  |           |
|    | A<br>EA-1646<br>---            | LSA<br>---     | ---      | B<br>EA-1646<br>---            | LSB<br>---     | ---      |           |
|    | A<br>EA-1646<br>---            | LSA<br>175 bar | ---      | B<br>EA-1646<br>---            | LSB<br>320 bar | ---      |           |
|    | A<br>EA-1646<br>150 bar        | LSA<br>---     | 120 bar  | B<br>EA-1646<br>345 bar        | LSB<br>---     | 320 bar  |           |
|    | A<br>EA-590, HD-376<br>190 bar | LSA<br>---     | 160 bar  | B<br>EA-590, HD-376<br>190 bar | LSB<br>---     | 160 bar  |           |

Control system

| No. | Spare part | Qty. | Description                | Dimension           |
|-----|------------|------|----------------------------|---------------------|
| 1   | ES 265     | 2    | Screw                      | M 8x20 ISO4762- 8.8 |
| 2   | EK 003     | 2    | Washer                     | D 8.4 ISO7089       |
| 3   | HH 409     | 0    | Control lever, black       |                     |
| 3   | HH 429     | 1    | Control lever, blue (blue) |                     |
| 4   | HH 431     | 1    | Control lever (Support)    |                     |
| 5   | HI 827     | 1    | Control axle               |                     |
| 6   | EK 884     | 3    | Cover                      |                     |
| 7   | HH 430     | 1    | Control lever (Support)    |                     |
| 8   | EM 234     | 2    | Nut                        | M 5                 |
| 9   | HI1543     | 3    | Pin                        | D20.0xL33.0         |
| 10  | EK 866     | 3    | Cotter                     |                     |
| 11  | EK 867     | 3    | Cotter                     |                     |
| 12  | ES1381     | 2    | Screw                      | M 5x80 DIN 931      |
| 13  | HH 408     | 1    | Control lever, black       |                     |
| 13  | HH 428     | 1    | Control lever, blue        |                     |
| 14  | HSV 206    | 0    | Control rod                |                     |
| 15  | HI2603     | 0    | Pin                        |                     |
| 16  | EQ 116     | 0    | Safety washer              | D4 DIN6799          |
| 17  | HH 427     | 1    | Control lever (Support)    |                     |
| 18  | HH 425     | 1    | Control lever, blue        |                     |
| 18  | HH 411     | 0    | Control lever, black       |                     |
| 19  | HI2907     | 2    | Pin                        |                     |
| 20  | EK 868     | 1    | Bolt retainer              |                     |
| 21  | HH 426     | 1    | Control lever (Support)    |                     |
| 22  | HH 410     | 1    | Control lever, black       |                     |
| 22  | HH 424     | 1    | Control lever, blue        |                     |
| 23  | HH 420     | 4    | Control lever, cpl.        |                     |
| 24  | HSV 205    | 0    | Control rod                |                     |
| 25  | EM 014     | 4    | Nut                        | DIN 985-8 M 6       |
| 26  | EK 043     | 3    | Washer                     | D 6.4 DIN 134       |
| 27  | ES 080     | 3    | Screw                      | M 6x35 DIN 6912     |
| 28  | HI2735     | 1    | Control axle               |                     |
| 29  | HH 423     | 0    | Control lever              |                     |
| 30  | ES 105     | 1    | Screw                      | M 6x40 ISO4762 10.9 |
| 31  | HA6509     | 1    | Bearer                     |                     |
| 32  | HH 422     | 1    | Control lever              |                     |
| 33  | EK 871     | 1    | Handle, black              |                     |
| 34  | ES 051     | 4    | Screw                      | M 8x16 DIN 7984 8.8 |
| 35  | EK 871     | 1    | Handle, black              |                     |
| 36  | HH 419     | 1    | Control lever              |                     |
| 37  | HIB 248    | 0    | Pin                        |                     |
| 38  | EM 018     | 1    | Nut                        | M5 DIN 934          |
| 39  | EK 560     | 1    | Disc spring                |                     |
| 40  | ES 578     | 1    | Screw                      | M05x090             |



**Steuerung (umgekehrt)**  
Control (reverse acting)  
Commande (inversion)

**A-Seite**  
Side-A  
Cote-A

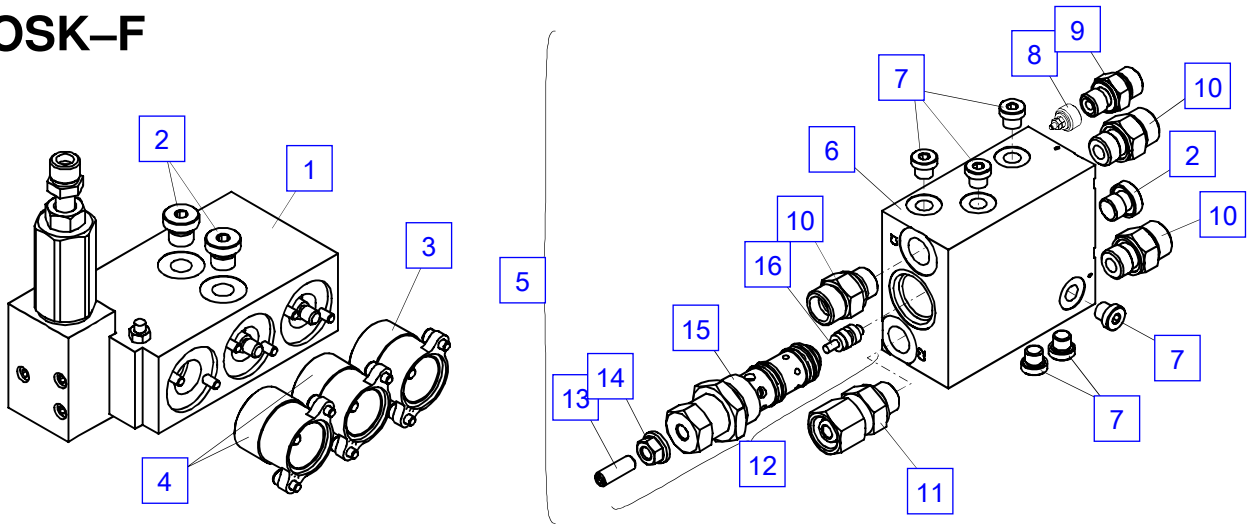
**Ersatzteile siehe KSC0000**  
Spare parts look KSC0000  
Pieces de rechange voir KSC0000

Overload protection-OSK-F

| No. | Spare part | Qty. | Description           | Dimension       |
|-----|------------|------|-----------------------|-----------------|
| 1   | EV4452     | 1    | Overload bloc         |                 |
|     | TD 946     | 1    | Seal kit              |                 |
|     | TD 947     | 0    | Seal kit              |                 |
| 2   | EA 236     | 3    | Locking screw         | VSTI R 1/4"     |
| 3   | EV4500     | 1    | Adapter               | RS 210          |
| 4   | EV4453     | 2    | Adapter               | RS 210          |
| 5   | UV431-330  | 1    | Load holding valve    |                 |
| 6   | HG 171     | 1    | Housing               |                 |
| 7   | EA 423     | 6    | Locking screw         | VSTI R 1/8"     |
| 8   | EV 330     | 1    | Hose break valve      | R1/4"           |
| 9   | EA 089     | 5    | Fitting               | GE 08S R1/4"-ED |
| 10  | EA 039     | 3    | Fitting               | GE 12S R3/8"-ED |
| 11  | EA 201     | 1    | Fitting               | EGE 12S R3/8-ED |
| 12  | EV 612     | 1    | Valve cartridge       |                 |
|     | TD 204     | 1    | Seal kit              |                 |
| 13  | ES1036     | 1    | Set screw             | M 8x20 DIN 916  |
| 14  | EM 199     | 1    | Sealing nut           | M 8x1.5         |
| 15  | EV2151     | 1    | Pressure relief valve |                 |
|     | TD 853     | 1    | Seal kit              |                 |
| 16  | EV2152     | 1    | Pressure compensator  |                 |
| 17  | HLR 9841   | 1    | Pipe                  | D 8             |
| 18  | EA 091     | 1    | L-Coupling            | EL 8 S          |
| 19  | EA 263     | 1    | Angle fitting         | EW 08S          |
| 20  | UV097A     | 1    | Pressure switch       |                 |
| 21  | EA 151     | 1    | Fitting               | EGE 8 S R1/4"   |
| 22  | EH4445     | 1    | Hose                  | NW 6x4400       |
| 23  | EA 190     | 1    | Fitting               | GE 10L R3/8"-ED |
| 24  | EH5162     | 1    | Hose                  | NW 6x750        |
| 25  | EA1655     | 1    | Fitting               | STE 10K R 3/8"  |
| 26  | EA1052     | 1    | Fitting               | GE 8 S R3/8"    |
| 27  | HLR 8827   | 1    | Pipe                  | D 8             |

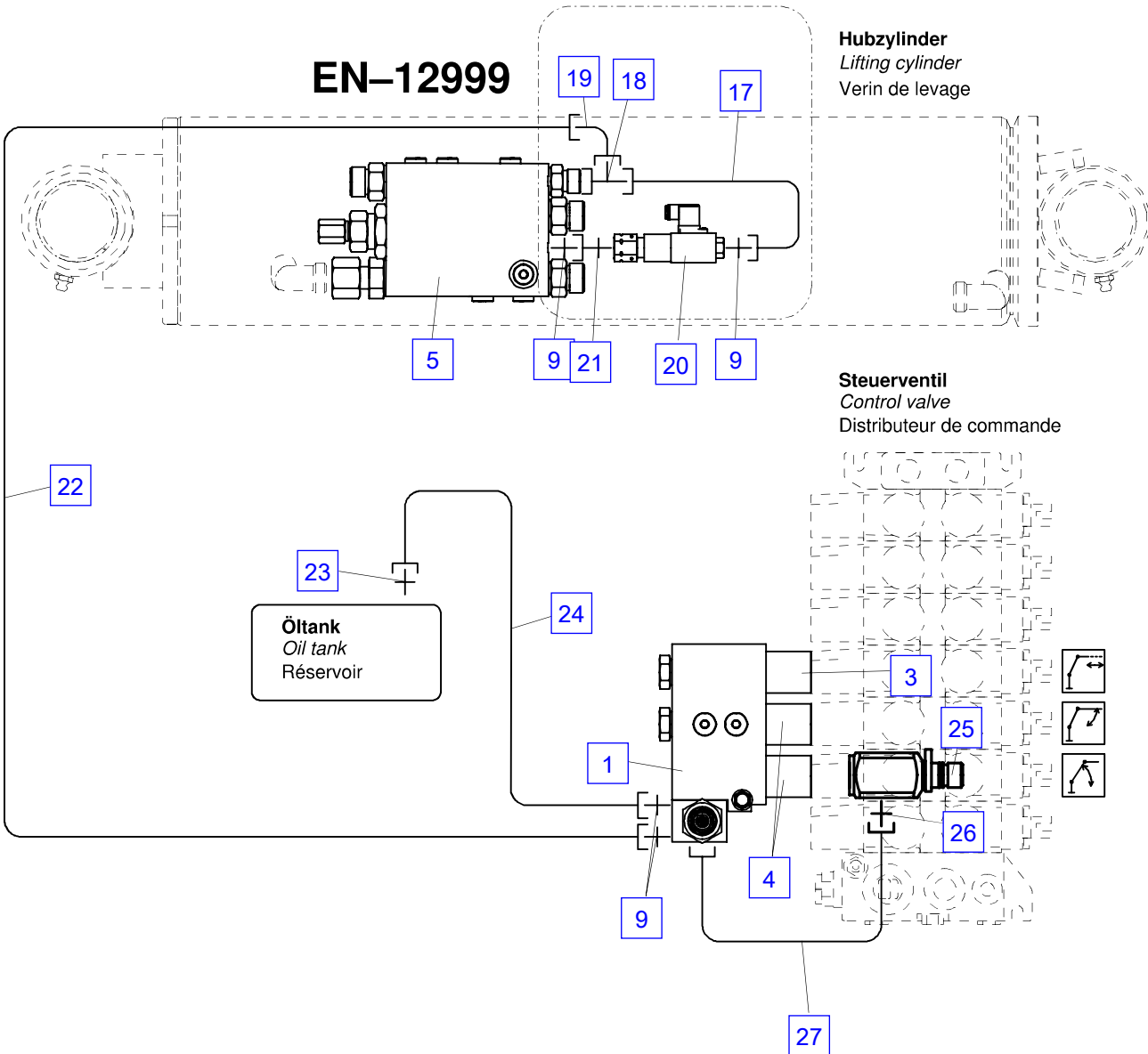


**OSK-F**



**EN-12999**

**Hubzylinder**  
Lifting cylinder  
Verin de levage

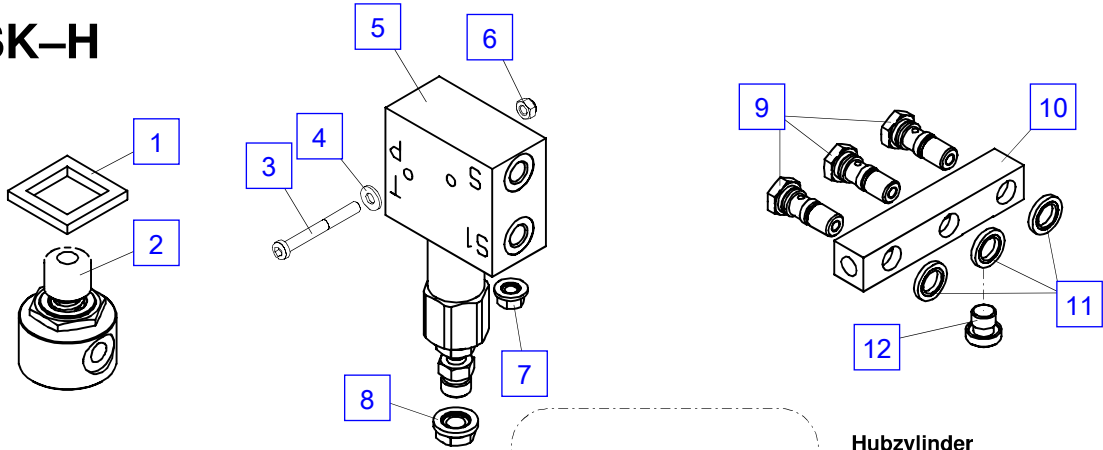


**Steuerventil**  
Control valve  
Distributeur de commande

Overload protection-OSK-H

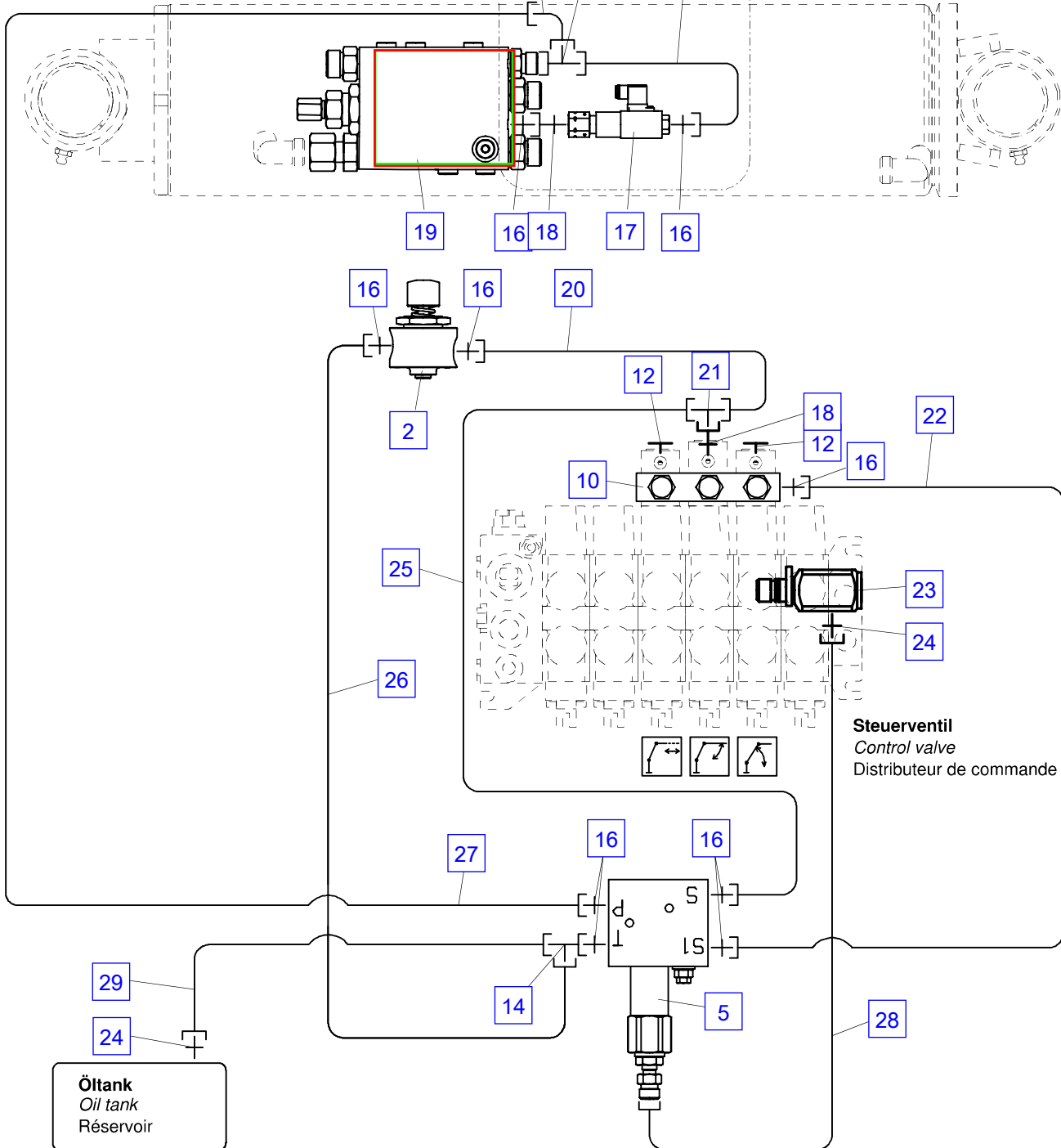
| No. | Spare part | Qty. | Description                        | Dimension       |
|-----|------------|------|------------------------------------|-----------------|
| 1   | HTR3533    | 1    | Bearer                             |                 |
| 2   | EV 174     | 1    | Peak pressure button               |                 |
|     | EZ1277     | 1    | Protecting cap                     |                 |
|     | TD 845     | 0    | Seal kit                           |                 |
| 3   | ES 106     | 2    | Screw                              | M 6x55 DIN 7984 |
| 4   | EK 043     | 2    | Washer                             | D 6.4 DIN 134   |
| 5   | EV3263     | 1    | Overload valve (+7,8)              |                 |
| 6   | EM 014     | 2    | Nut                                | DIN 985-8 M 6   |
| 7   | EM 199     | 1    | Sealing nut                        | M 8x1.5         |
| 8   | EM 200     | 1    | Sealing nut                        | M 12x1.5        |
| 9   | EA1057     | 3    | Banjo bolt (with O-ring)           |                 |
| 10  | HLA 875    | 1    | Connection block                   |                 |
| 11  | ED 619     | 3    | Sealing ring                       | KD 1/4"         |
| 12  | EA 236     | 3    | Locking screw                      | VSTI R 1/4"     |
| 13  | HLR 9841   | 1    | Pipe                               | D 8             |
| 14  | EA 091     | 2    | L-Coupling                         | EL 8 S          |
| 15  | EA 263     | 1    | Angle fitting                      | EW 08S          |
| 16  | EA 089     | 9    | Fitting                            | GE 08S R1/4"-ED |
| 17  | UV097A     | 1    | Pressure switch                    |                 |
| 18  | EA 151     | 2    | Fitting                            | EGE 8 S R1/4"   |
| 19  | UV431-330  | 1    | Load holding valve (page 030.0100) |                 |
| 20  | HLR 8799   | 1    | Pipe                               | D 8             |
| 21  | EA 192     | 1    | Fitting                            | T 8 S           |
| 22  | HLR 8797   | 1    | Pipe                               | D 8             |
| 23  | EA1655     | 1    | Fitting                            | STE 10K R 3/8"  |
| 24  | EA1052     | 2    | Fitting                            | GE 8 S R3/8"    |
| 25  | HLR 8798   | 1    | Pipe                               | D 8             |
| 26  | HLR 7219   | 1    | Pipe                               | D 8             |
| 27  | EH1148     | 1    | Hose                               | NW 06x3200      |
| 28  | HLR 8796   | 1    | Pipe                               | D 8             |
| 29  | EH3213     | 1    | Hose                               | NW 6x3500       |

**OSK-H**



**EN-12999**

**Hubzylinder**  
Lifting cylinder  
Verin de levage



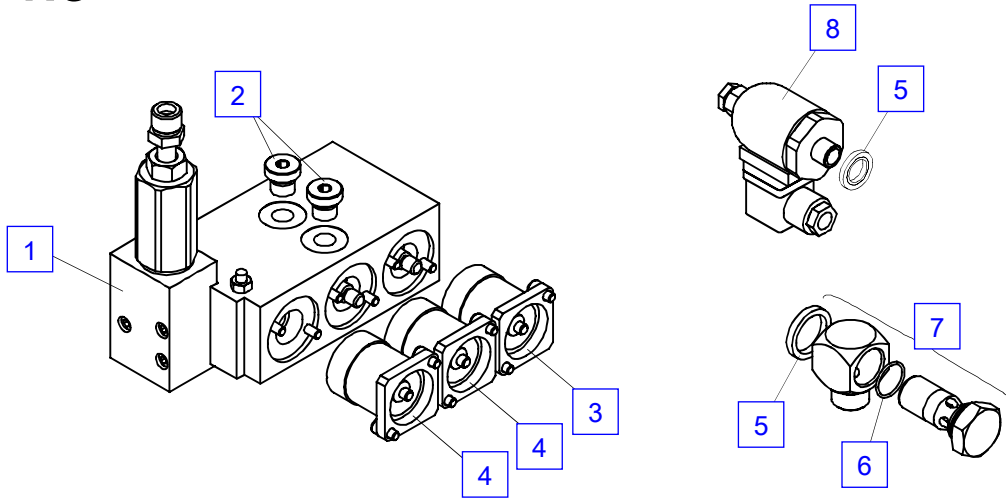
**Steuerventil**  
Control valve  
Distributeur de commande

**Öltank**  
Oil tank  
Réservoir

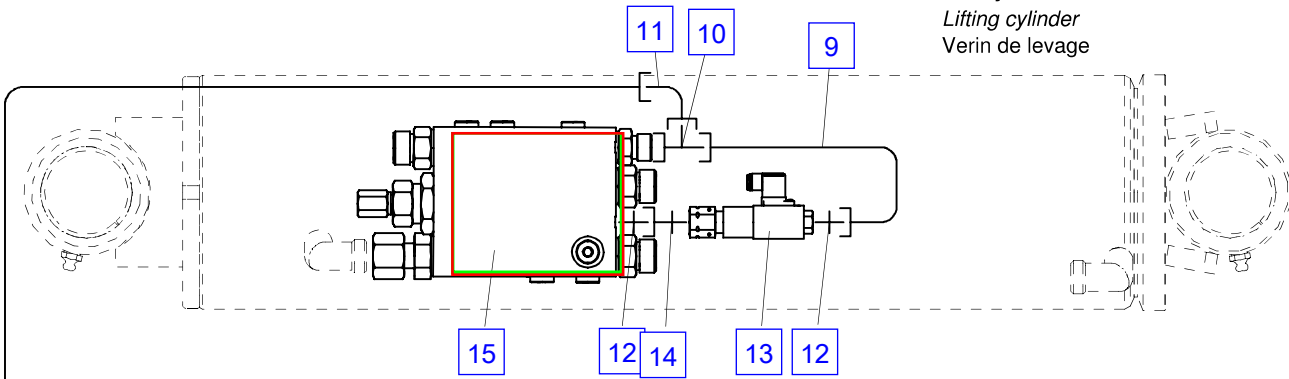
Overload protection-OSK-RC

| No. | Spare part | Qty. | Description                           | Dimension       |
|-----|------------|------|---------------------------------------|-----------------|
| 1   | EV4452     | 1    | Overload bloc                         |                 |
|     | TD 946     | 1    | Seal kit                              |                 |
|     | TD 947     | 0    | Seal kit                              |                 |
| 2   | EA 236     | 2    | Locking screw                         | VSTI R 1/4"     |
| 3   | EV4501     | 1    | Adapter                               | RSQ 240         |
| 4   | EV4454     | 2    | Adapter                               | RSQ 240         |
| 5   | ED 619     | 2    | Sealing ring                          | KD 1/4"         |
| 6   | EO 906     | 1    | O-ring                                | D 12,5x1,5      |
| 7   | EA 282     | 2    | Adaptor                               | WH 8 S R1/4"    |
| 8   | EEA1194    | 1    | Pressure switch                       | 30-400 bar      |
| 9   | HLR 9841   | 1    | Pipe                                  | D 8             |
| 10  | EA 091     | 2    | L-Coupling                            | EL 8 S          |
| 11  | EA 263     | 1    | Angle fitting                         | EW 08S          |
| 12  | EA 089     | 4    | Fitting                               | GE 08S R1/4"-ED |
| 13  | UV097A     | 1    | Pressure switch                       |                 |
| 14  | EA 151     | 2    | Fitting                               | EGE 8 S R1/4"   |
| 15  | UV431-330  | 1    | Load holding valve<br>(page 030.0100) |                 |
| 16  | EH4445     | 1    | Hose                                  | NW 6x4400       |
| 17  | EA1023     | 1    | Blanking part                         | ROV-10L         |
| 18  | EH1924     | 1    | Hose                                  | NW 6x410        |
| 19  | EH5162     | 1    | Hose                                  | NW 6x750        |
| 20  | HLR 8437   | 1    | Pipe                                  | D 8             |
| 21  | EA1655     | 1    | Fitting                               | STE 10K R 3/8"  |
| 22  | EA1052     | 1    | Fitting                               | GE 8 S R3/8"    |
| 23  | HLR 8846   | 1    | Pipe                                  | D 8             |

**OSK-RC**

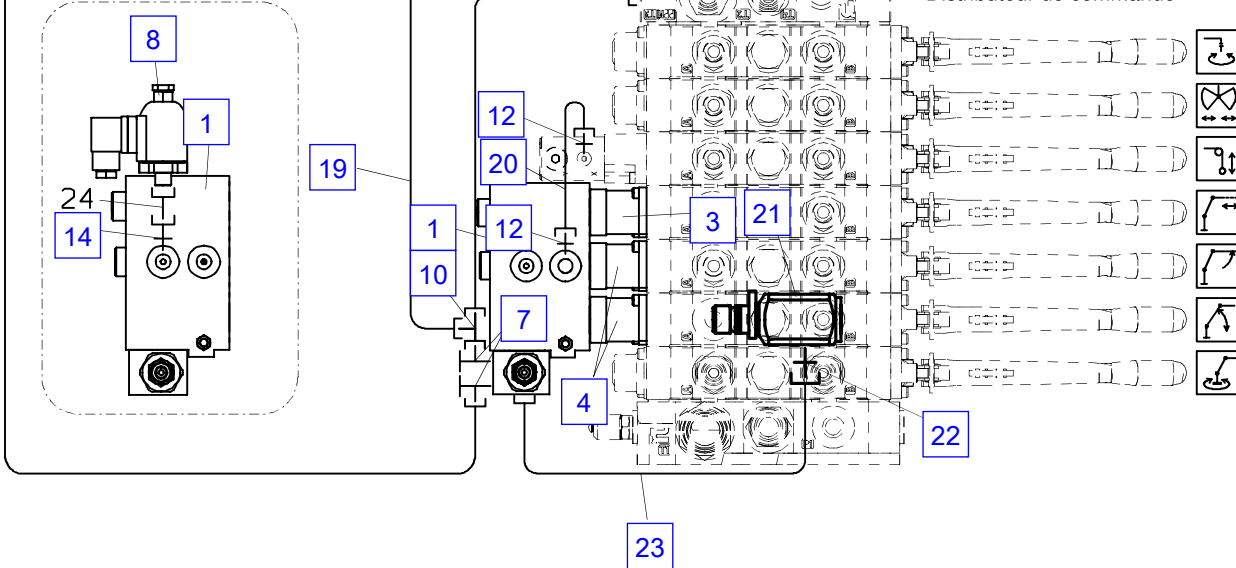


**Hubzylinder**  
Lifting cylinder  
Verin de levage



**Steuerventil**  
Control valve  
Distributeur de commande

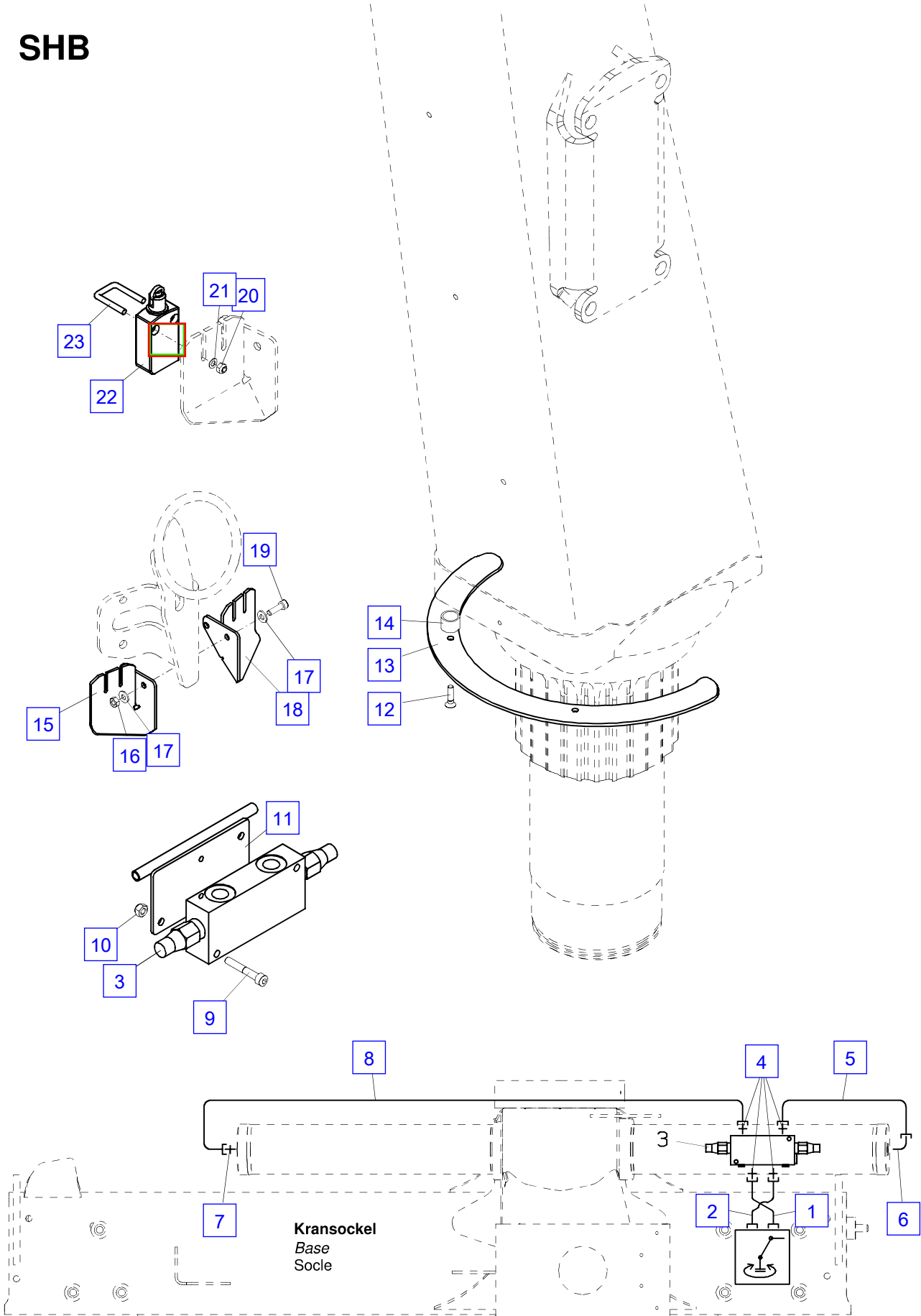
**EN-12999**



Slew limitation

| No. | Spare part | Qty. | Description                              | Dimension            |
|-----|------------|------|--|----------------------|
| 1   | HLR 8802   | 1    | Pipe (F)                                 | D 12                 |
| 1   | HLR 8892   | 1    | Pipe (RC001)                             | D 12                 |
| 2   | HLR 8801   | 1    | Pipe (F)                                 | D 12                 |
| 2   | HLR 8893   | 1    | Pipe (RC001)                             | D 12                 |
| 3   | EV5037-160 | 1    | Load holding valve                       | 160 bar              |
|     | TD1001     | 1    | Seal kit                                 |                      |
| 4   | EA 183     | 4    | Fitting                                  | GE 12S R1/2"-ED      |
| 5   | HLR 8791   | 1    | Pipe                                     | D 12                 |
| 6   | EA1749     | 1    | Adaptor                                  | WEE 12S 3/8"         |
| 7   | EA 039     | 1    | Fitting                                  | GE 12S R3/8"-ED      |
| 8   | HLR 8792   | 1    | Pipe                                     | D 12                 |
| 9   | ES 432     | 2    | Screw                                    | M 8x50 ISO4762- 8.8  |
| 10  | EM 026     | 2    | Nut                                      | M 8 DIN 985          |
| 11  | HXE 509    | 1    | Bracket                                  |                      |
| 12  | ES1330     | 2    | Screw                                    | M 6x25 ISO14581- 8.8 |
| 13  | HT6323     | 1    | Plate                                    |                      |
| 14  | HBS2884    | 2    | Spacer                                   | l=15 mm              |
| 15  | HA6551     | 1    | Bearer                                   |                      |
| 16  | EM 004     | 2    | Nut                                      | DIN 934 M6 CL8 ZB    |
| 17  | EK 043     | 4    | Washer                                   | D 6.4 DIN 134        |
| 18  | HA6550     | 1    | Bearer                                   |                      |
| 19  | ES 019     | 2    | Screw                                    | M 6x20 ISO4762-10.9  |
| 20  | EM 154     | 4    | Nut                                      | DIN 985 M4 CL8 ZB    |
| 21  | EK 124     | 4    | Washer                                   | ISO7092 - A2 -140HV  |
| 22  | EEA...     | 2    | Receiver (look ELEKTRIK) (page 030.0400) |                      |
| 23  | HIG 459    | 2    | Mounting bracket                         |                      |

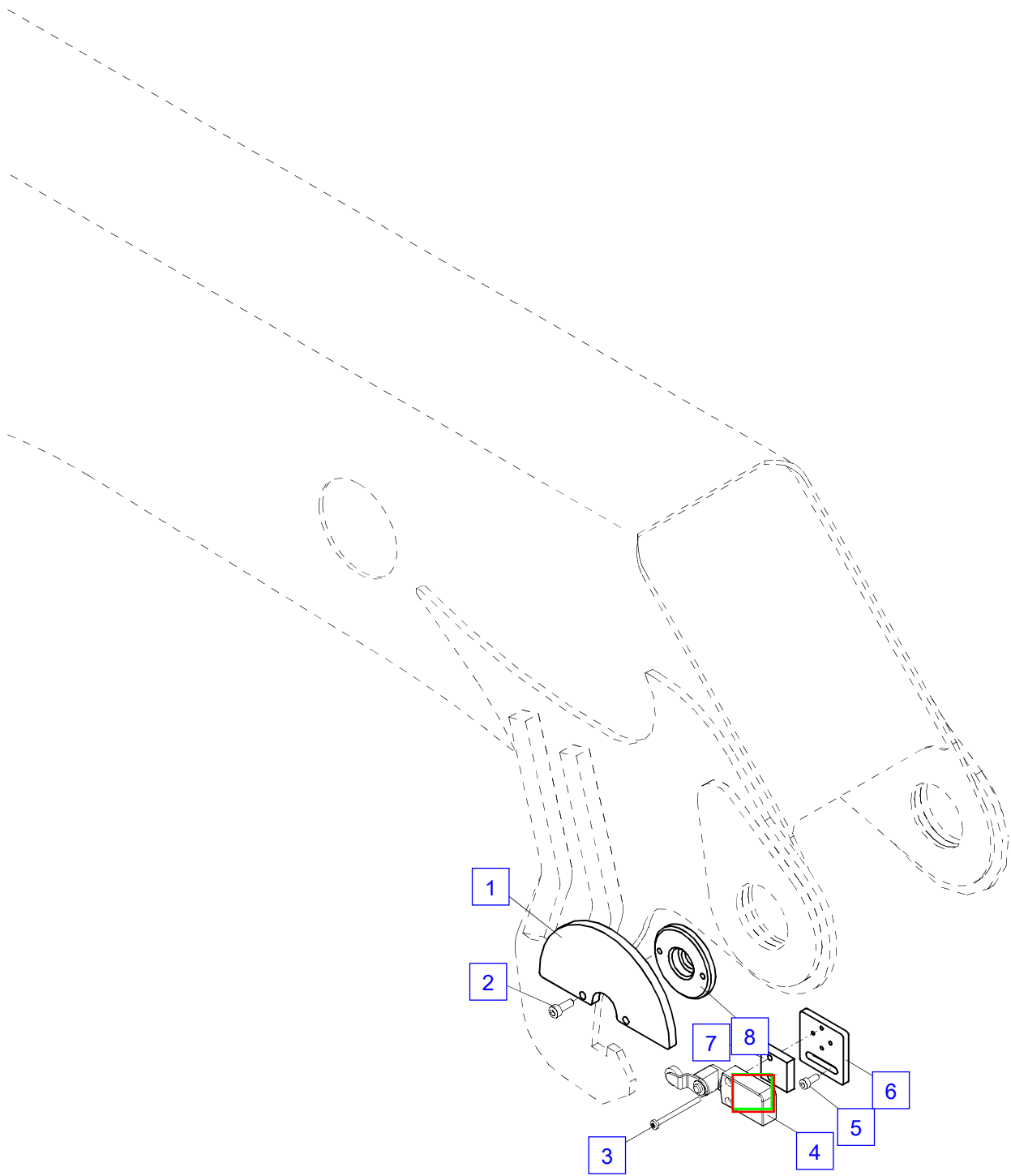
**SHB**



## Transport position monitoring

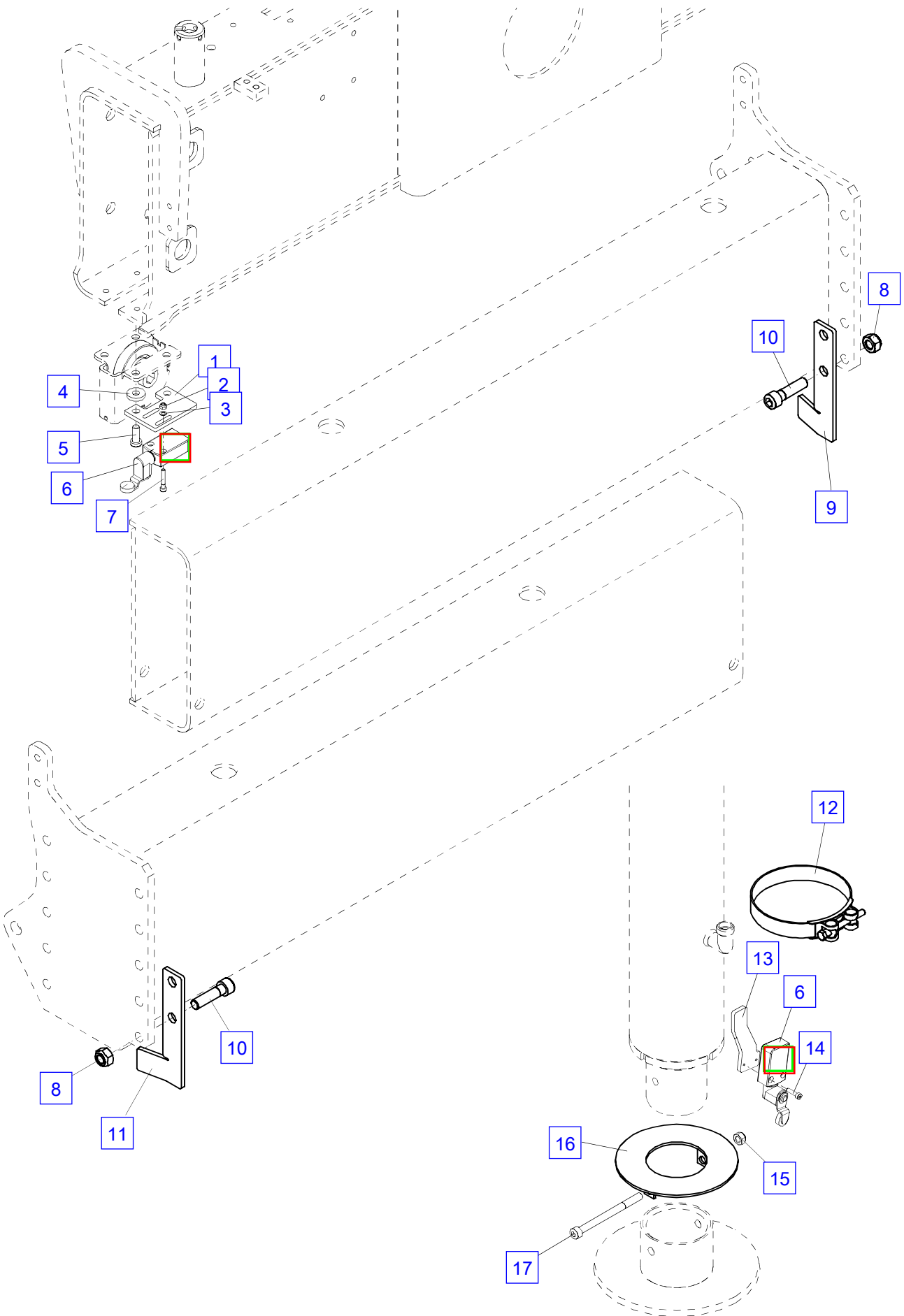
| No. | Spare part | Qty. | Description                                    | Dimension           |
|-----|------------|------|--|---------------------|
| 1   | HT6978     | 1    | Bracket  |                     |
| 2   | ES 175     | 2    | Screw  | M 6x16 ISO4762- 8.8 |
| 3   | ES 450     | 2    | Screw  | M 4x50 DIN 84       |
| 4   | EEA...     | 1    | Receiver<br>(look ELEKTRIK)<br>(page 030.0400) |                     |
| 5   | ES 061     | 2    | Screw  | M 5x12 ISO4762- 8.8 |
| 6   | HT7003     | 1    | Fastening plate                                |                     |
| 7   | HTR3901    | 1    | Spacing piece                                  | 8mm                 |
| 8   | HB 334     | 1    | Cover  |                     |





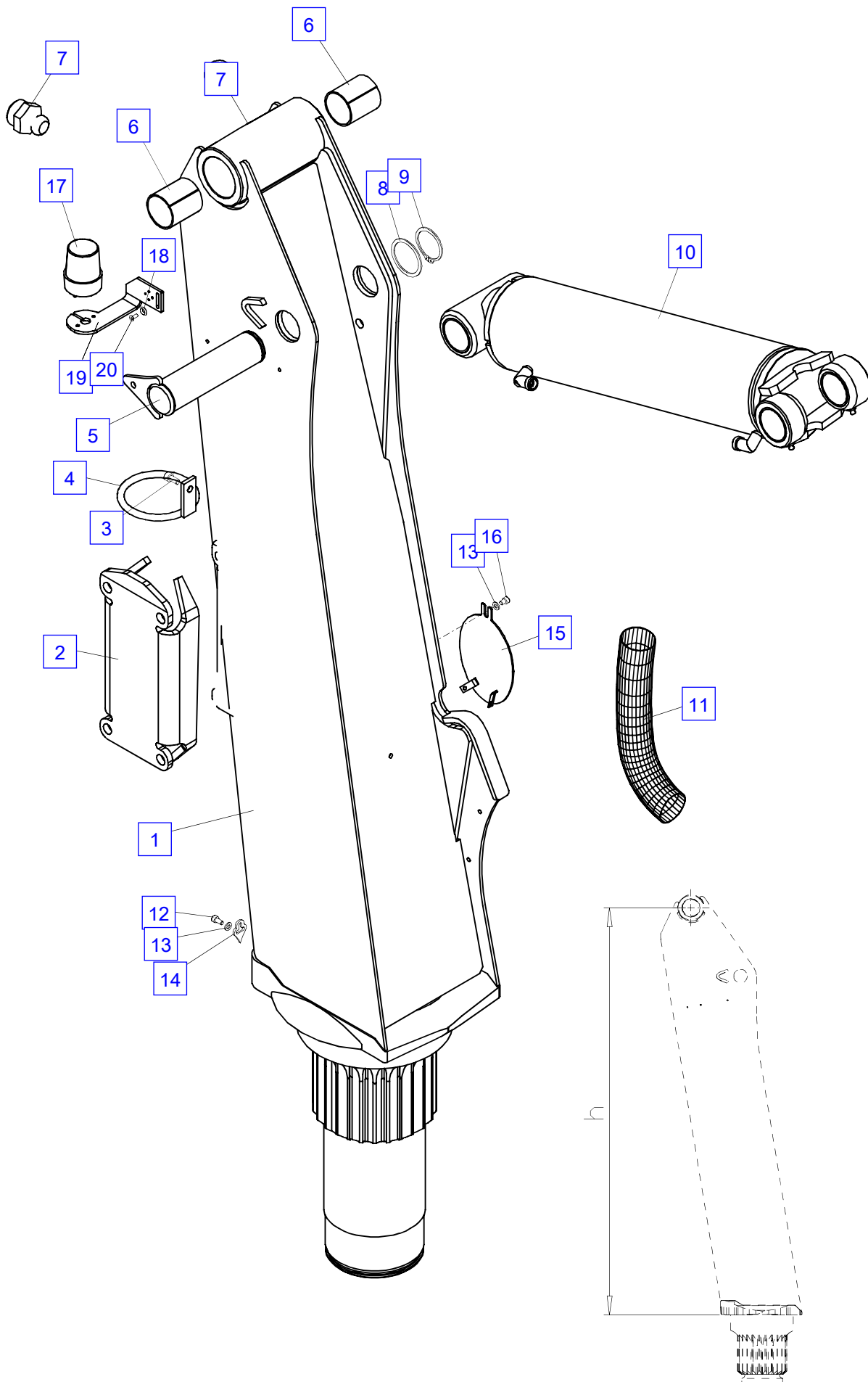
Stabilizer monitoring

| No. | Spare part | Qty. | Description                                    | Dimension               |
|-----|------------|------|--|-------------------------|
| 1   | HT3449     | 2    | Bearer   |                         |
| 2   | EM 154     | 4    | Nut  | DIN 985 M4 CL8 ZB       |
| 3   | EK 124     | 4    | Washer   | ISO7092 - A2 -140HV     |
| 4   | EK 044     | 4    | Washer   | D 8 DIN 7349            |
| 5   | ES 308     | 4    | Screw  | M 8x20 DIN7984- 8.8     |
| 6   | EEA...     | 4    | Receiver<br>(look ELEKTRIK)<br>(page 030.0400) |                         |
| 7   | ES 791     | 4    | Screw  | M 4x25 ISO4762- 8.8     |
| 8   | EM 023     | 4    | Nut  | M 12 DIN 985            |
| 9   | HA4795     | 1    | Stop buffer                                    |                         |
| 10  | ES 043     | 4    | Screw<br>(STZS)                                | M 12x40 ISO4762-10.9    |
| 10  | ES 655     | 4    | Screw<br>(STZY)                                | M12x40 - 10.9 - DIN 933 |
| 11  | HA4794     | 1    | Stop buffer                                    |                         |
| 12  | EZ2058     | 2    | Hose clip                                      |                         |
| 13  | HA7143     | 2    | Bearer   |                         |
| 14  | ES 853     | 4    | Screw  | M4x16 - 8.8 - ISO4762   |
| 15  | EM 026     | 2    | Nut  | M 8 DIN 985             |
| 16  | HXE2227    | 2    | Stop buffer                                    |                         |
| 17  | ES1161     | 2    | Screw  | M 8x100 ISO4762- 8.8    |



Crane column

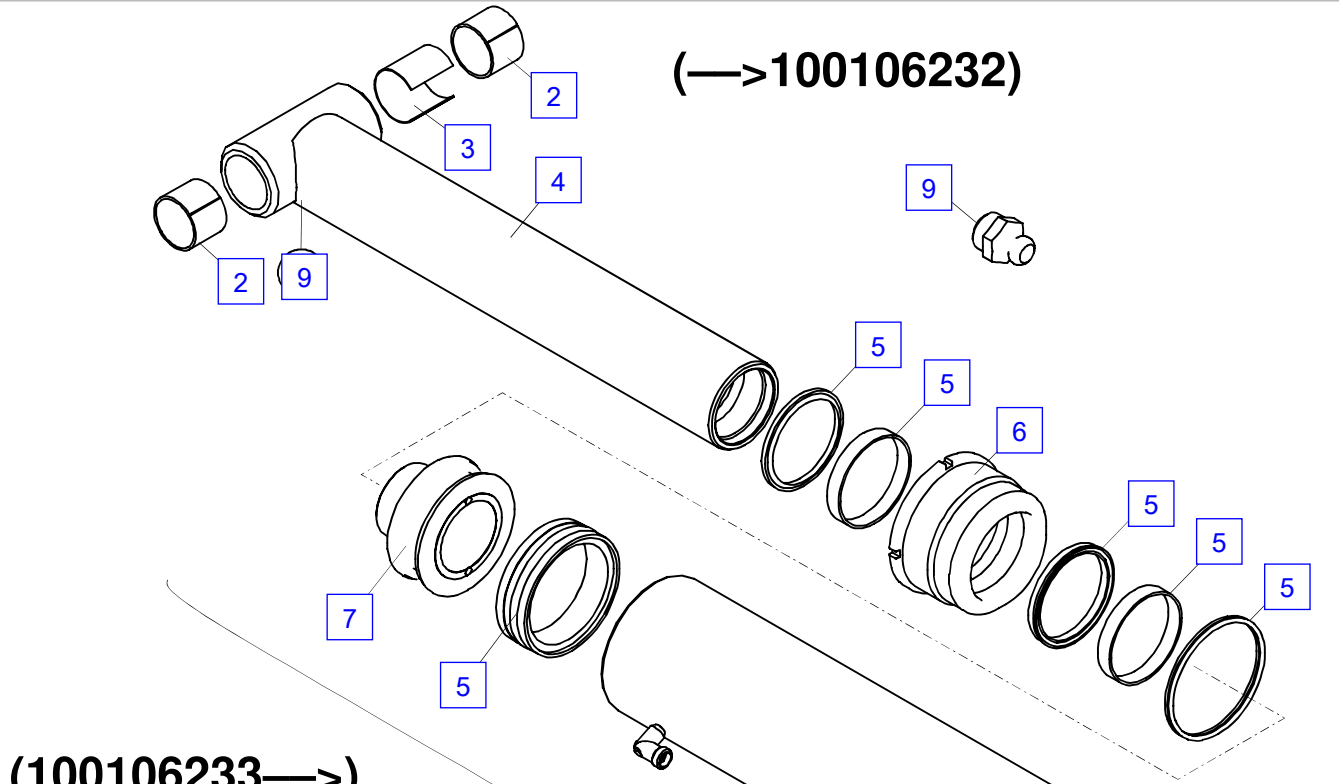
| No. | Spare part | Qty. | Description                         | Dimension              |
|-----|------------|------|-------------------------------------|------------------------|
| 1   | S105S01-A  | 1    | Crane column                        | h=1382 mm              |
| 1   | S105S02-A  | 1    | Crane column                        | h=1160 mm              |
| 2   | HA7466     | 1    | Bracket                             |                        |
| 3   | ES 264     | 1    | Screw                               | M8x16 ISO4762- 8.8     |
| 4   | HXL 020    | 1    | Hose ring                           | d=100 mm               |
| 5   | HI2771     | 1    | Pin                                 | D050.0xL0181.1         |
| 6   | ELG 011    | 2    | Bearing bush                        | D 60x65x60             |
| 7   | EA 005     | 1    | Grease nipple                       | M10x1 DIN71412         |
| 8   | HBS 874    | 1    | Spacer                              | 2 mm                   |
| 9   | EQ 086     | 1    | Circlip                             | D 50 DIN 471           |
| 10  | UP1517     | 1    | Lifting cylinder<br>(page 040.0200) |                        |
| 11  | EH 963     | 1    | Protection hose<br>(H)              | D 102x1500             |
| 11  | EH 808     | 1    | Protection hose<br>(F)              | NW 102x2300            |
| 11  | EH1567     | 1    | Protection hose<br>(H)              | NW 102x2600            |
| 11  | EH2251     | 1    | Protection hose<br>(Main boom)      | NW 102x800             |
| 12  | ES1150     | 1    | Screw                               | M 6x12 - 8.8 - ISO4762 |
| 13  | EK 190     | 2    | Washer                              | DIN134-06-ST           |
| 14  | HT7778     | 1    | Folding arrow                       |                        |
| 15  | HXE2960    | 1    | Cover                               |                        |
| 16  | ES 126     | 1    | Screw                               | M 6x8 ISO4762 8.8      |
| 17  | EEA5440    | 1    | Light, green                        | 5 m                    |
| 17  | EEA5441    | 1    | Light, green                        | 8 m                    |
| 18  | EK 567     | 2    | Washer                              | D 6                    |
| 19  | HA9353     | 1    | Bearer                              | L0236.3xB0116xS006     |
| 20  | ES 418     | 2    | Screw                               | M6x16 ISO14581- 8.8    |



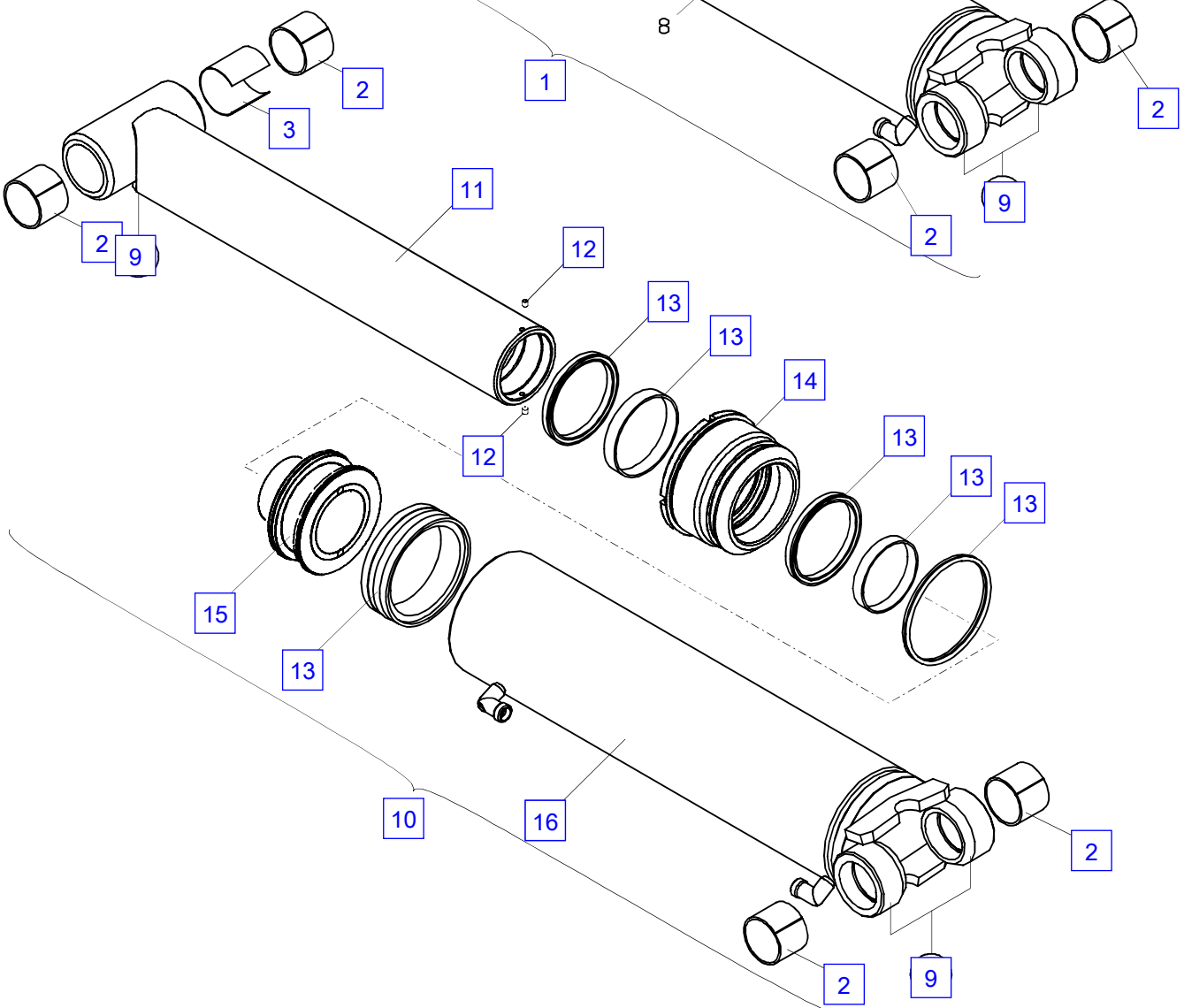
Lifting cylinder

| No. | Spare part | Qty. | Description      | Dimension            |
|-----|------------|------|------------------|----------------------|
| 1   | UP1517     | 1    | Lifting cylinder |                      |
| 2   | ELG 002    | 8    | Bearing bush     | D 50x55x40           |
| 3   | HBS 381    | 2    | Spacer           |                      |
| 4   | HSK1255    | 1    | Piston rod       |                      |
| 5   | TD 525     | 1    | Seal kit         |                      |
| 6   | HV 363     | 1    | Cylinder nut     | M131x2.5 d090xL085   |
| 7   | HK 362A    | 1    | Piston           | D125xL085.0 M075x2.0 |
| 8   | HY1397     | 1    | Cylinder tube    |                      |
| 9   | EA 005     | 6    | Grease nipple    | M10x1 DIN71412       |
| 10  | UP1517A    | 1    | Lifting cylinder | Cr                   |
| 11  | HSK1255A   | 1    | Piston rod       | Cr                   |
| 12  | ES1821     | 2    | Set screw        | M 6x8 DIN 914        |
| 13  | TD 525A    | 1    | Seal kit         |                      |
| 14  | HV 363A    | 1    | Cylinder nut     | M131x2.5 d090xL085   |
| 15  | HK 734     | 1    | Piston           | D124xL085.0 M075x2.0 |
| 16  | HY1397     | 1    | Cylinder tube    |                      |

(—>100106232)



(100106233—>)

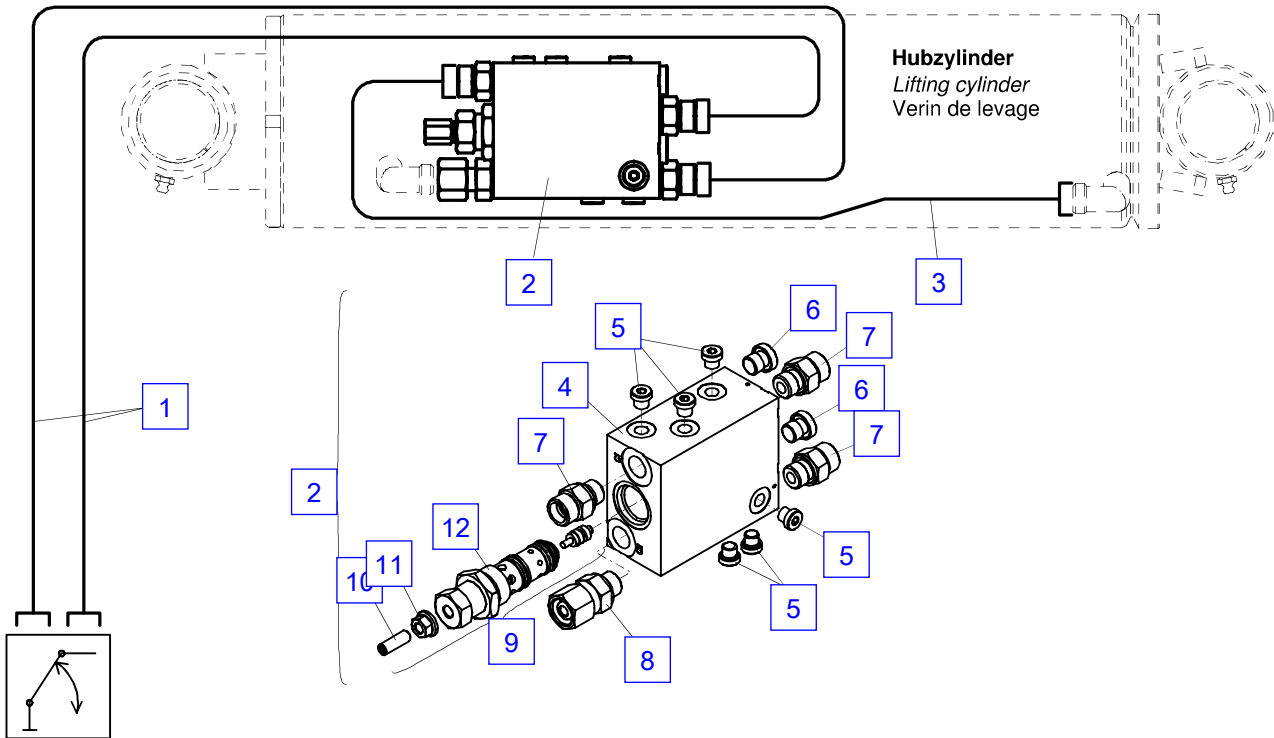


Pipes-Lifting cylinder

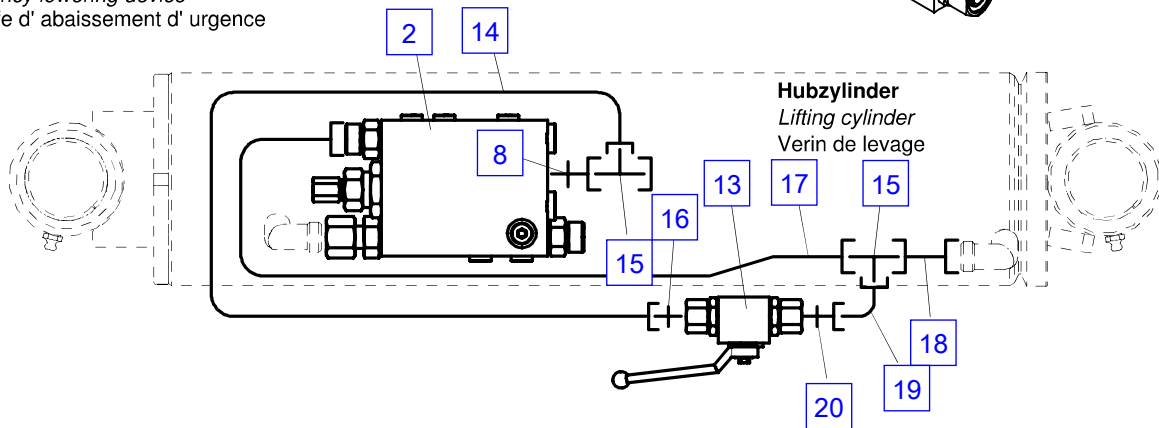
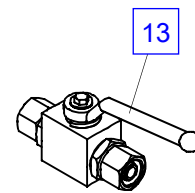
| No. | Spare part | Qty. | Description           | Dimension       |
|-----|------------|------|-----------------------|-----------------|
| 1   | EH4876     | 2    | Hose (H)              | NW 10x3200      |
| 1   | EH4887     | 2    | Hose (F)              | NW 10x4050      |
| 2   | UV439-330  | 1    | Load holding valve    |                 |
| 3   | HLR 8835   | 1    | Pipe                  | D 12            |
| 4   | HG 171     | 1    | Housing               |                 |
| 5   | EA 423     | 6    | Locking screw         | VSTI R 1/8"     |
| 6   | EA 236     | 2    | Locking screw         | VSTI R 1/4"     |
| 7   | EA 039     | 3    | Fitting               | GE 12S R3/8"-ED |
| 8   | EA 201     | 2    | Fitting               | EGE 12S R3/8-ED |
| 9   | EV 612     | 1    | Valve cartridge       |                 |
|     | TD 204     | 1    | Seal kit              |                 |
| 10  | ES1036     | 1    | Set screw             | M 8x20 DIN 916  |
| 11  | EM 199     | 1    | Sealing nut           | M 8x1.5         |
| 12  | EV2151     | 1    | Pressure relief valve |                 |
|     | TD 853     | 1    | Seal kit              |                 |
| 13  | EV 661     | 1    | Ball cock             |                 |
| 14  | HLR 9302   | 1    | Pipe                  | D 8             |
| 15  | EA1334     | 2    | Fitting               | TR 12/08/12S    |
| 16  | EA 089     | 1    | Fitting               | GE 08S R1/4"-ED |
| 17  | HLR 9303   | 1    | Pipe                  | D 12            |
| 18  | EA 784     | 1    | Fitting               | GZ 12 S         |
| 19  | EA 263     | 1    | Angle fitting         | EW 08S          |
| 20  | EA 151     | 1    | Fitting               | EGE 8 S R1/4"   |



# PK 7501



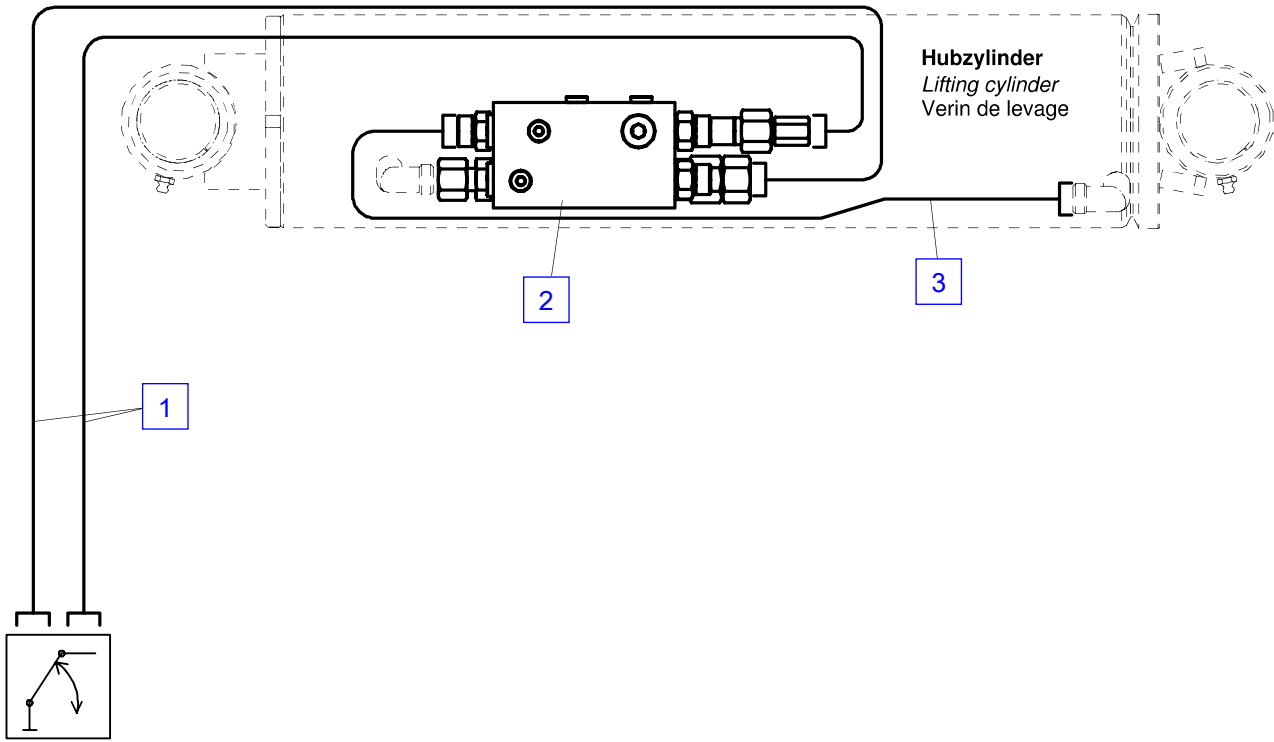
**Notabsenkung**  
Emergency lowering device  
Dispositif d'abaissement d'urgence



## Pipes-Lifting cylinder

| No. | Spare part | Qty. | Description        | Dimension       |
|-----|------------|------|--------------------|-----------------|
| 1   | EH4876     | 2    | Hose (H)           | NW 10x3200      |
| 1   | EH4887     | 2    | Hose (F)           | NW 10x4050      |
| 2   | UV500-350  | 1    | Load holding valve |                 |
| 3   | HLR12736   | 1    | Pipe               | D 12            |
| 4   | EV5325     | 1    | Shut-off cock      |                 |
| 5   | HLR12730   | 1    | Pipe               | D 8             |
| 6   | EA 782     | 1    | Fitting            | GZ 8 S          |
| 7   | EA1334     | 2    | Fitting            | TR 12/08/12S    |
| 8   | EA 201     | 1    | Fitting            | EGE 12S R3/8-ED |
| 9   | HLR12731   | 1    | Pipe               | D 12            |
| 10  | EA 784     | 1    | Fitting            | GZ 12 S         |

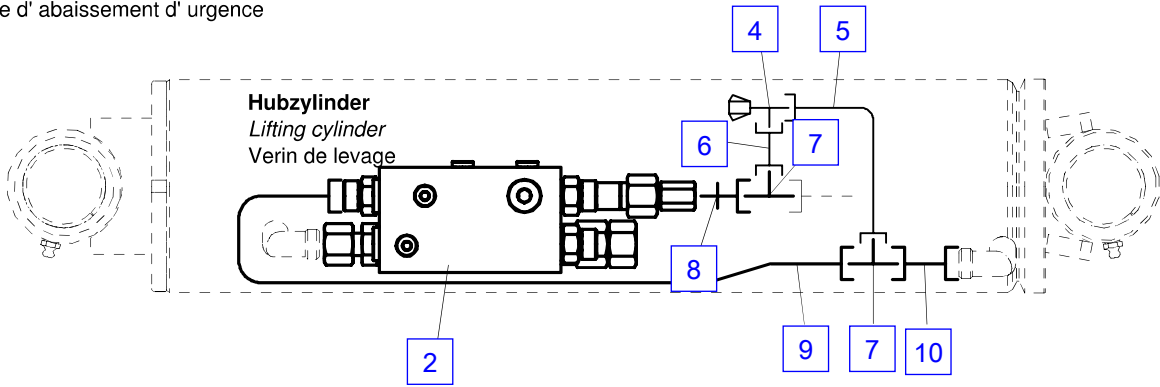
# PK 8501



**Notabsenkung**

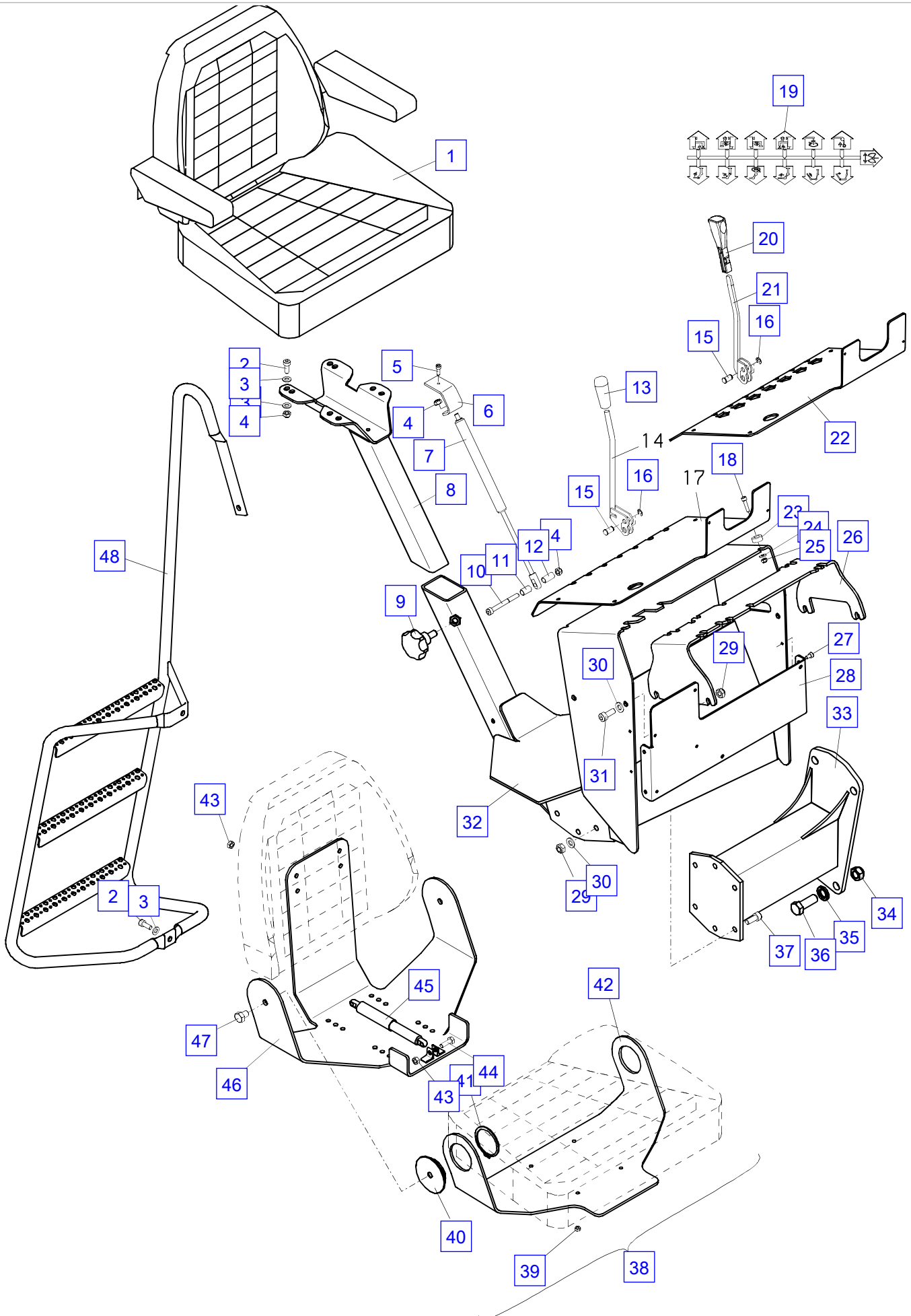
*Emergency lowering device*

Dipositife d' abaissement d' urgence



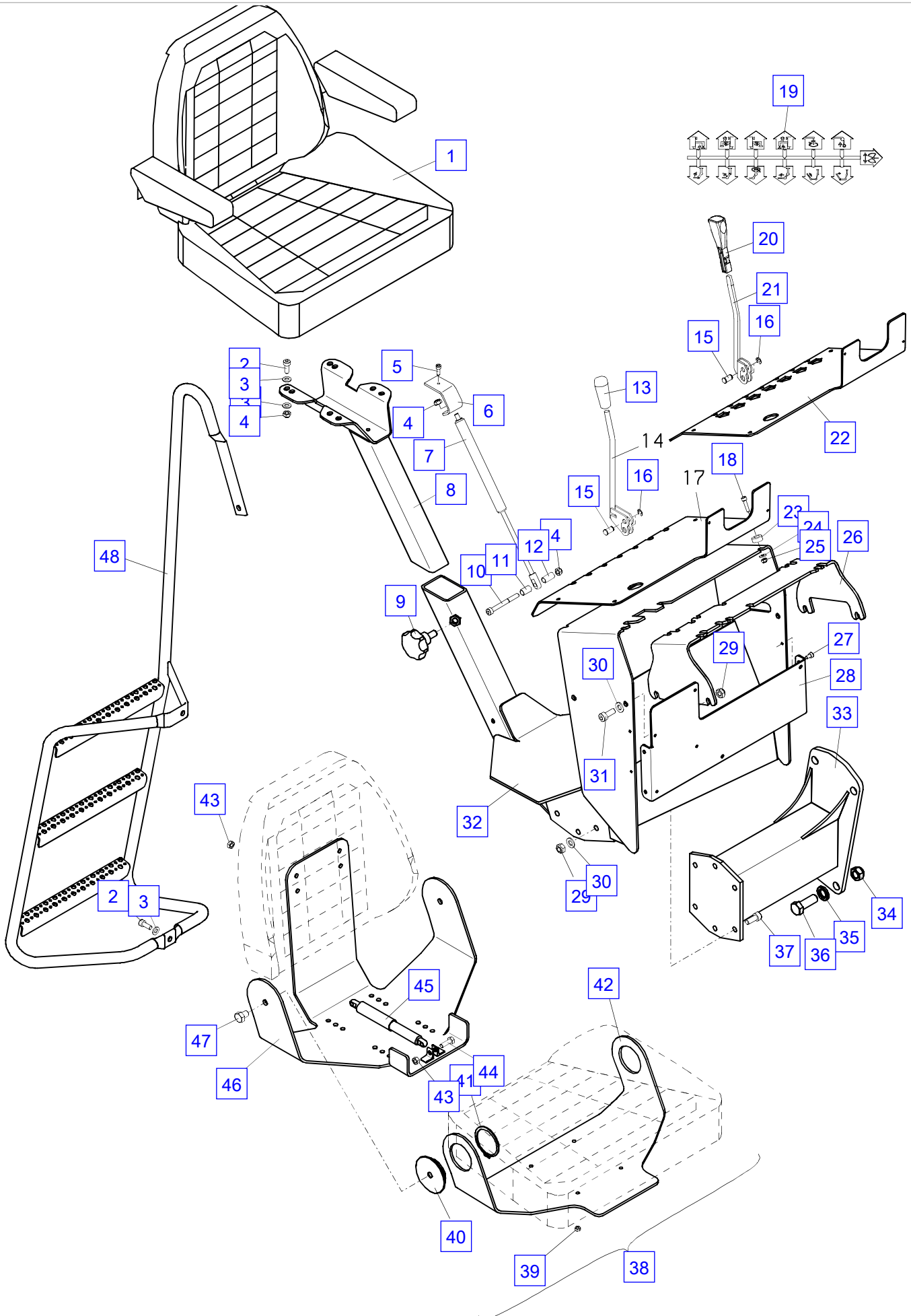
Top seat

| No. | Spare part | Qty. | Description                             | Dimension            |
|-----|------------|------|---|----------------------|
| 1   | EZ 525     | 1    | Seat for BZ240                          |                      |
|     | EZ 662A    | 1    | Adjusting rail (Kit)                    |                      |
|     | EZ 658     | 1    | Armrest, left                           |                      |
|     | EZ 659     | 1    | Armrest, right                          |                      |
|     | EZ 660     | 1    | Backrest                                |                      |
|     | EZ 661     | 1    | Seat rest                               |                      |
| 1   | EZ1535     | 1    | Seat                                    |                      |
| 1   | EZ 916     | 1    | Seat cpl. with heating for BZ351        |                      |
| 2   | ES 265     | 7    | Screw                                   | M 8x20 ISO4762- 8.8  |
| 3   | EK 003     | 11   | Washer                                  | D 8.4 ISO7089        |
| 4   | EM 026     | 6    | Nut                                     | M 8 DIN 985          |
| 5   | ES 175     | 1    | Screw                                   | M 6x16 ISO4762- 8.8  |
| 6   | HA5616     | 1    | Bearer                                  | L0120.6xB0036.0xS004 |
| 7   | EZ1071     | 1    | Gas pressure spring                     |                      |
| 8   | HXE1413    | 1    | Seat support                            |                      |
| 9   | ES1048     | 1    | Clamping screw                          | M12x025 DIN6336      |
| 10  | ES1370     | 1    | Screw                                   | M 8x75 DIN 912       |
| 11  | HBS2123    | 1    | Spacer                                  | l=21 mm              |
| 12  | HBS2124    | 1    | Spacer                                  | D12.0xd9.0xL=25 mm   |
| 13  | EZ 253     | 0    | Handle                                  |                      |
| 13  | EZ 374     | 0    | Handle, red                             |                      |
| 15  | HI 826     | 0    | Pin                                     |                      |
| 16  | EQ 064     | 0    | Safety washer                           | D 8 DIN 6799         |
| 18  | ES 042     | 4    | Screw                                   | M 6x25 DIN 912       |
| 19  | EK 898     | 1    | Control decal                           |                      |
| 20  | EK 899     | 0    | Handle, black                           |                      |
| 20  | EK 900     | 0    | Handle, blue                            |                      |
| 21  | HH 433A    | 0    | Control lever                           |                      |
| 22  | HXE2114    | 1    | Bracket                                 |                      |
| 23  | EK 230     | 4    | Washer                                  | D11 DIN7989A         |
| 24  | EK 343     | 4    | Washer                                  | D 6,4 DIN 125        |
| 25  | EM 014     | 4    | Nut                                     | DIN 985-8 M 6        |
| 26  | HA2313     | 1    | Bracket                                 |                      |
| 27  | ES 414     | 4    | Screw                                   | M6x10 ISO4762 - 8.8  |
| 28  | HA6344     | 1    | Bracket                                 | PALTRONIC            |
| 29  | EM 021     | 10   | Nut                                     | DIN 985 M10 CL8 ZB   |
| 30  | EK 007     | 10   | Washer                                  | D 10.5 ISO7089       |
| 31  | ES 015     | 4    | Screw                                   | M 10x25 ISO4762-10.9 |
| 32  | KHS001A-A  | 1    | Top seat bracket                        |                      |
| 33  | HXK 258A   | 1    | Bracket                                 |                      |
| 34  | EM 031     | 4    | Nut                                     | M 16 DIN 985         |
| 35  | EK 358     | 4    | Washer                                  | D 17 DIN6916         |
| 36  | ES 188     | 4    | Screw                                   | M 16x45 DIN 933-10.9 |
| 37  | ES 276     | 6    | Screw                                   | M 10x30 ISO4762- 8.8 |
| 38  | BZ240      | 1    | Tiltable seating area                   |                      |
| 38  | BZ351      | 1    | Tiltable seating area cpl. with heating |                      |
| 39  | EM 004     | 4    | Nut                                     | DIN 934 M6 CL8 ZB    |
| 40  | HBS2372    | 2    | Guide disc                              |                      |
| 41  | EQ 083     | 2    | Circlip                                 | D 60 DIN 471         |
| 42  | HXE1193    | 1    | Seat support                            |                      |
| 43  | EM 003     | 6    | Nut                                     | M 8 DIN 934-8        |
| 44  | ES 002     | 2    | Screw                                   | DIN933-M8x25-8.8     |
| 45  | EZ1002     | 1    | Gas pressure spring                     |                      |
| 46  | HXE1194    | 1    | Seat support                            |                      |
| 47  | ES 192     | 2    | Screw                                   | M 12x16 DIN 933      |



Top seat

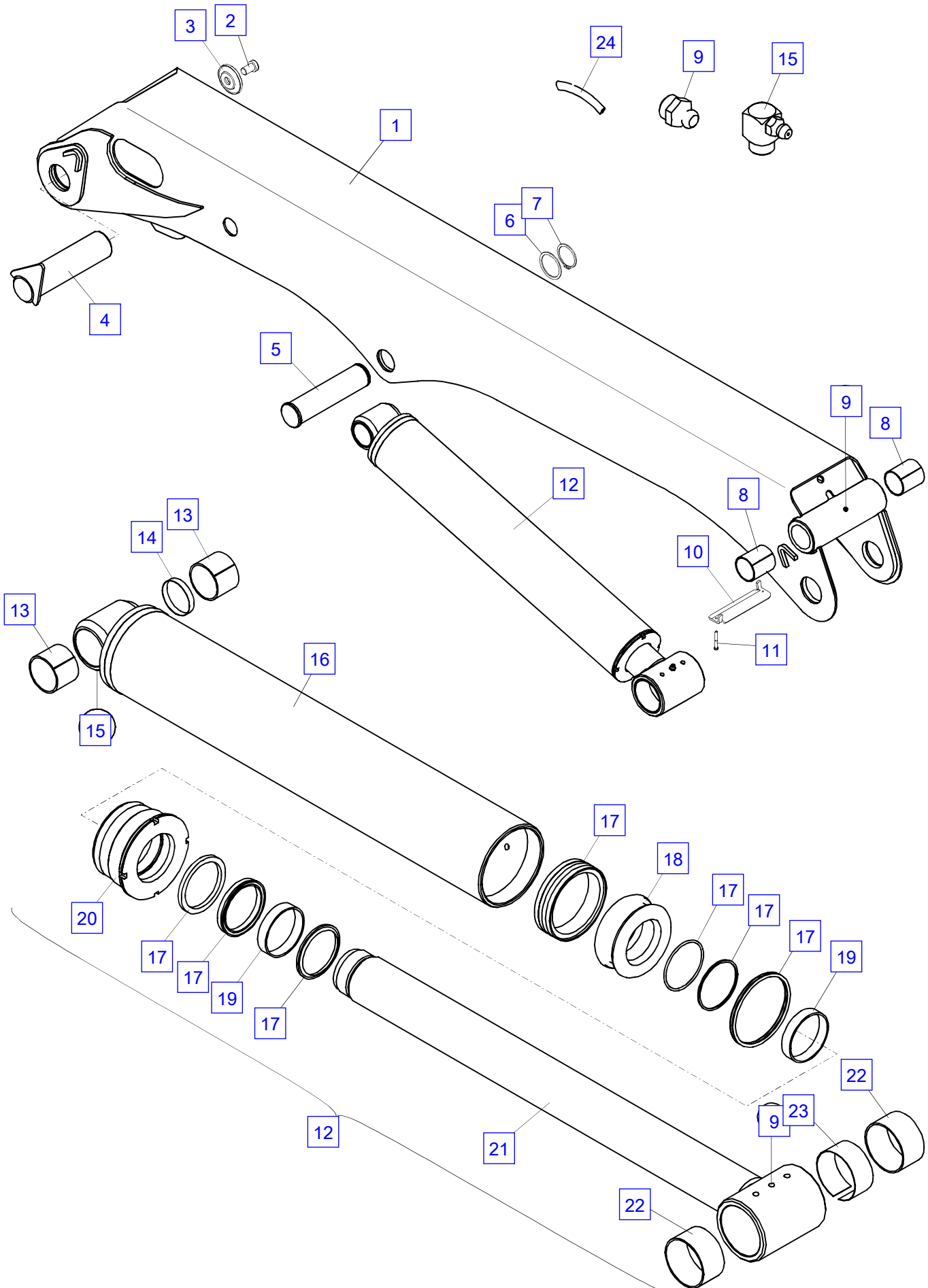
| No. | Spare part | Qty. | Description | Dimension |
|-----|------------|------|-------------|-----------|
| 48  | HXE1788    | 1    | Ladder      |           |



Main boom

| No. | Spare part | Qty. | Description  | Dimension            |
|-----|------------|------|--|----------------------|
| 1   | S105HA01A  | 1    | Main boom  |                      |
| 2   | ES 505     | 1    | Screw  | M 16x30 ISO4762 10.9 |
| 2   | ES 979     | 1    | Screw  | M 16x25 DIN7984 8.8  |
| 3   | HB 130     | 1    | Washer   | S0013 L0013 D0065    |
|     | HT16348    | 1    | Spacer   | D=35 s=1.5 mm        |
| 4   | HIG 507    | 1    | Pin  | D060.0xL0222.5       |
| 5   | HI2772     | 1    | Pin  |                      |
| 6   | HBS 874    | 1    | Spacer   | 2 mm                 |
| 7   | EQ 086     | 1    | Circlip  | D 50 DIN 471         |
| 8   | ELG 009    | 2    | Bearing bush   | D 50x55x60           |
| 9   | EA 005     | 2    | Grease nipple  | M10x1 DIN71412       |
| 10  | HXE2010    | 1    | Hose clip  |                      |
| 11  | ES 353     | 2    | Screw  | M 5x40 DIN 7984      |
| 12  | UP1518     | 1    | Outer boom ram                                       |                      |
| 13  | ELG 002    | 2    | Bearing bush   | D 50x55x40           |
| 14  | HBD 020    | 1    | Spacer   |                      |
| 15  | EA 023     | 1    | Grease nipple  | M 10x1 DIN 71412     |
| 16  | HY1396     | 1    | Cylinder tube  |                      |
| 17  | TD 577     | 1    | Seal kit (+19)                                       |                      |
| 18  | HK 291     | 1    | Piston   |                      |
| 19  | EG 051     | 2    | Guide ring   | 75x70x15             |
| 20  | HV 384     | 1    | Cylinder nut   |                      |
| 21  | HSK1254    | 1    | Piston rod   |                      |
| 22  | ELG 020    | 2    | Bearing bush   | d070xD075xL040       |
| 23  | HBD 177    | 1    | Spacer   |                      |
| 24  | EZ 578     | 0    | Edge protection (metro goods)<br>(sold by the meter) | 4-6 mm               |



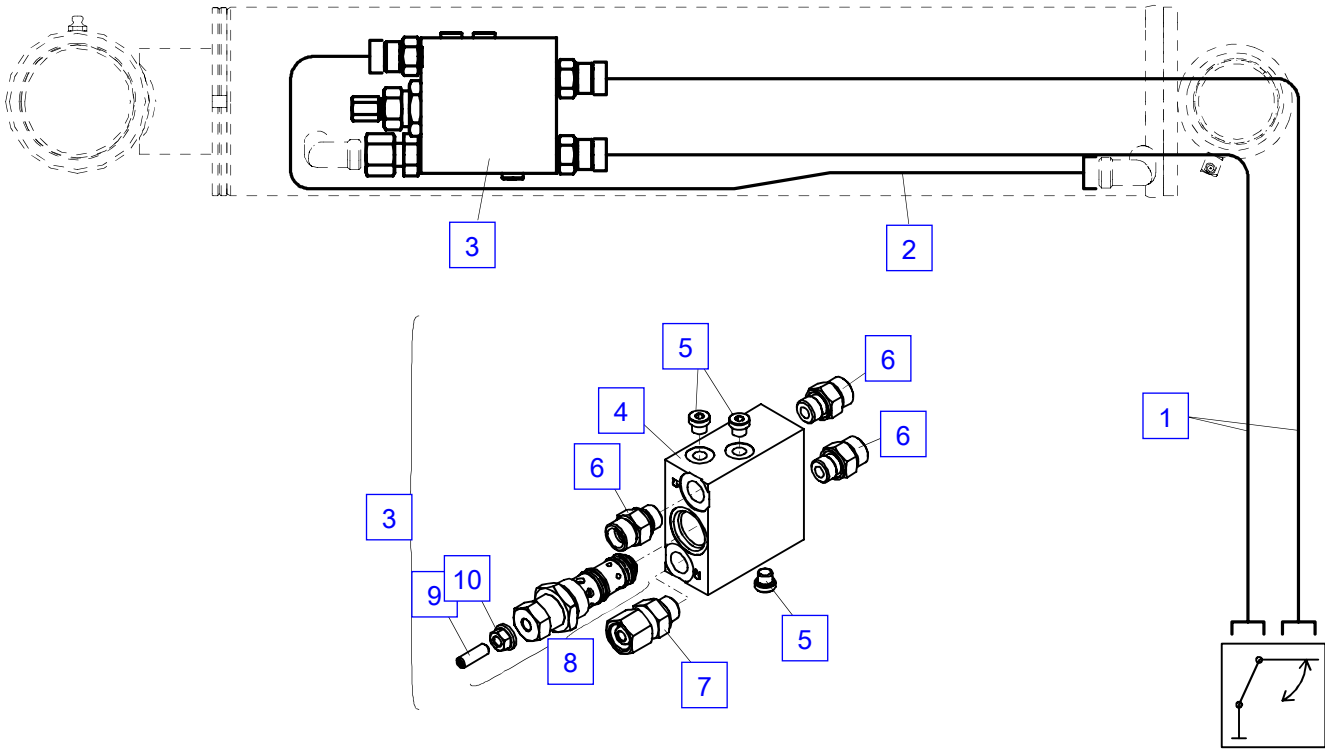


Pipes-Outer boom ram

| No. | Spare part | Qty. | Description           | Dimension        |
|-----|------------|------|-----------------------|------------------|
| 1   | EH4881     | 2    | Pressure hose (H)     | NW 10x3600       |
| 1   | EH4886     | 2    | Pressure hose (F)     | NW 10x4350       |
| 2   | HLR 8837   | 1    | Pipe                  | D 12             |
| 3   | UV432-340  | 1    | Load holding valve    |                  |
| 4   | HG 172     | 1    | Housing               |                  |
| 5   | EA 423     | 3    | Locking screw         | VSTI R 1/8"      |
| 6   | EA 039     | 3    | Fitting               | GE 12S R3/8"-ED  |
| 7   | EA 201     | 1    | Fitting               | EGE 12S R3/8"-ED |
| 8   | EV2151     | 1    | Pressure relief valve |                  |
|     | TD 853     | 1    | Seal kit              |                  |
| 9   | ES1036     | 1    | Set screw             | M 8x20 DIN 916   |
| 10  | EM 199     | 1    | Sealing nut           | M 8x1.5          |
| 11  | UV500-350  | 1    | Load holding valve    |                  |
| 12  | HLR12735   | 1    | Pipe                  | D 12             |

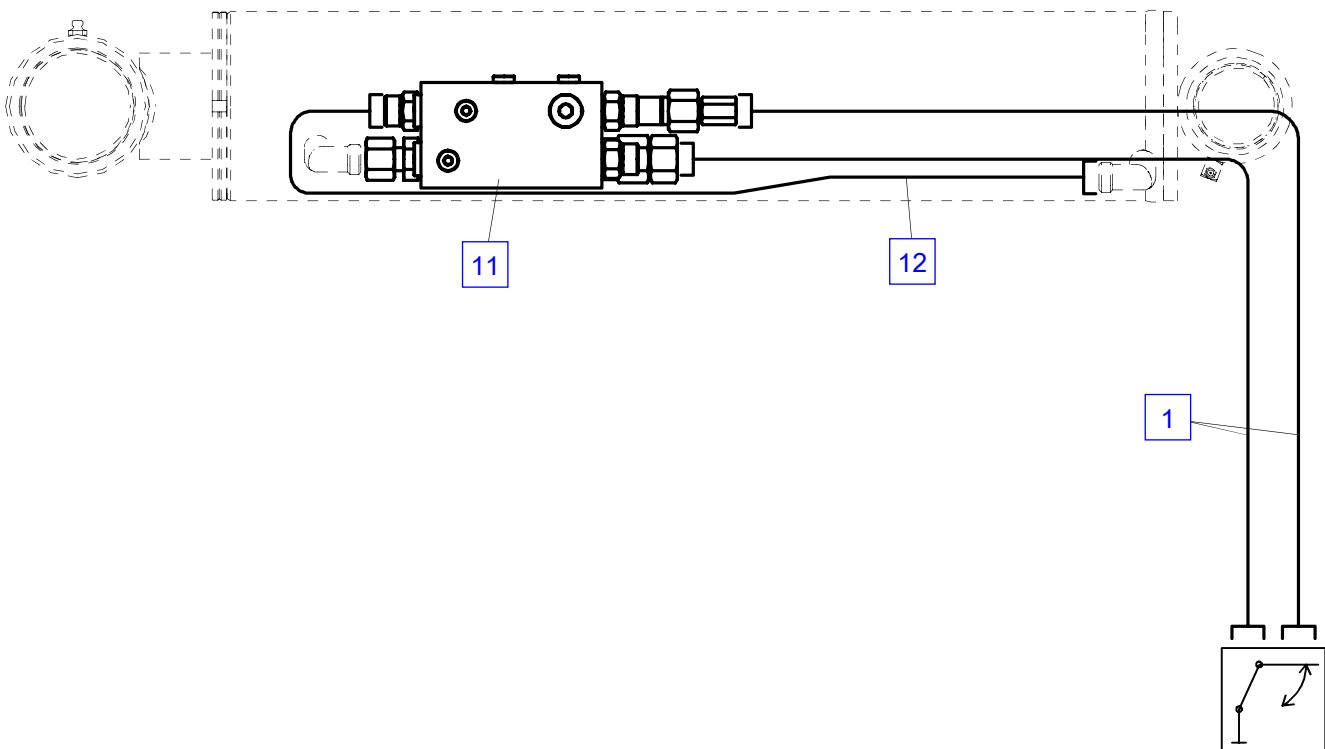
# PK 7501

**Knickzylinder**  
*Outer boom ram*  
Verin deuxieme bras



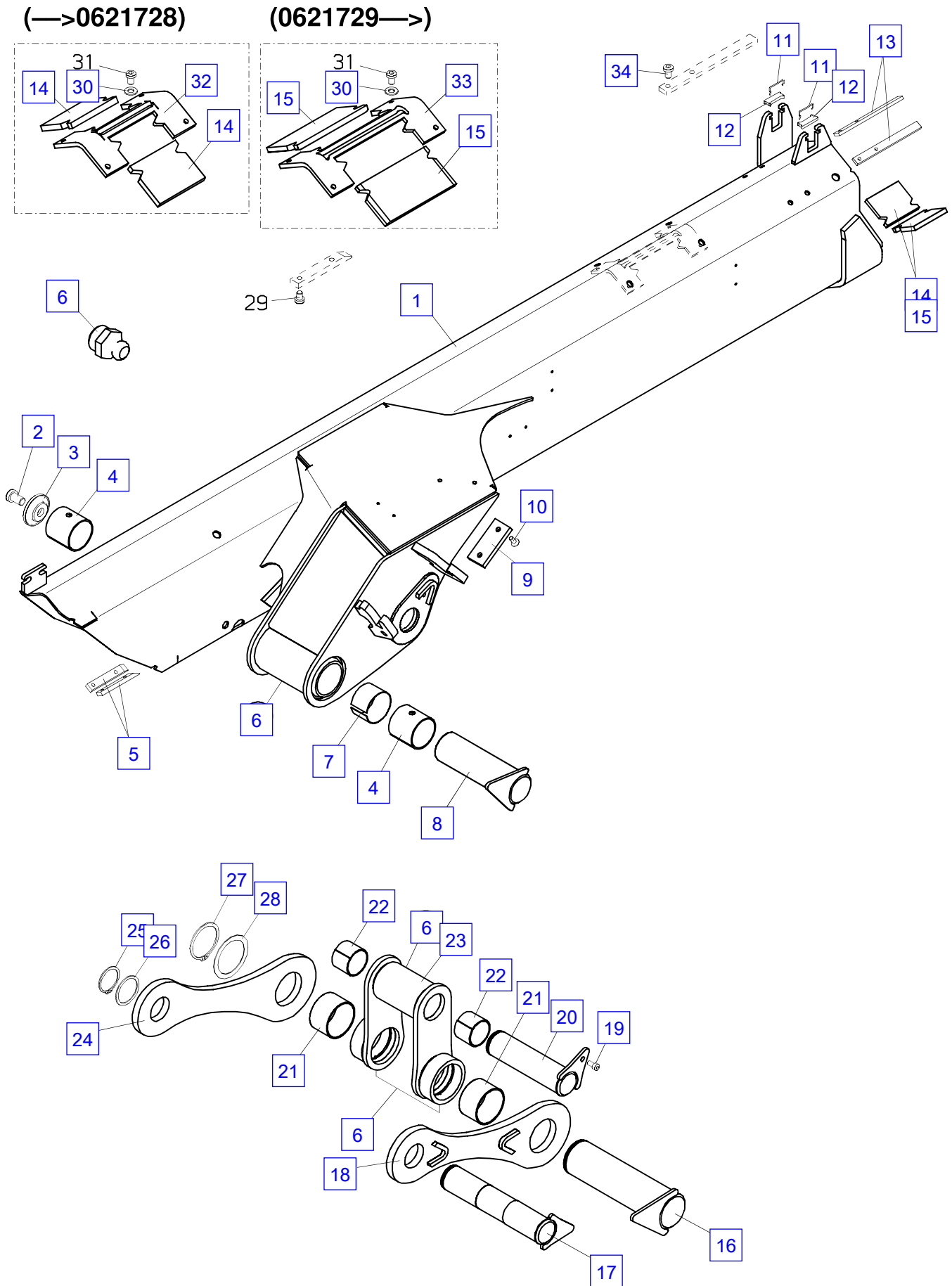
# PK 8501

**Knickzylinder**  
*Outer boom ram*  
Verin deuxieme bras



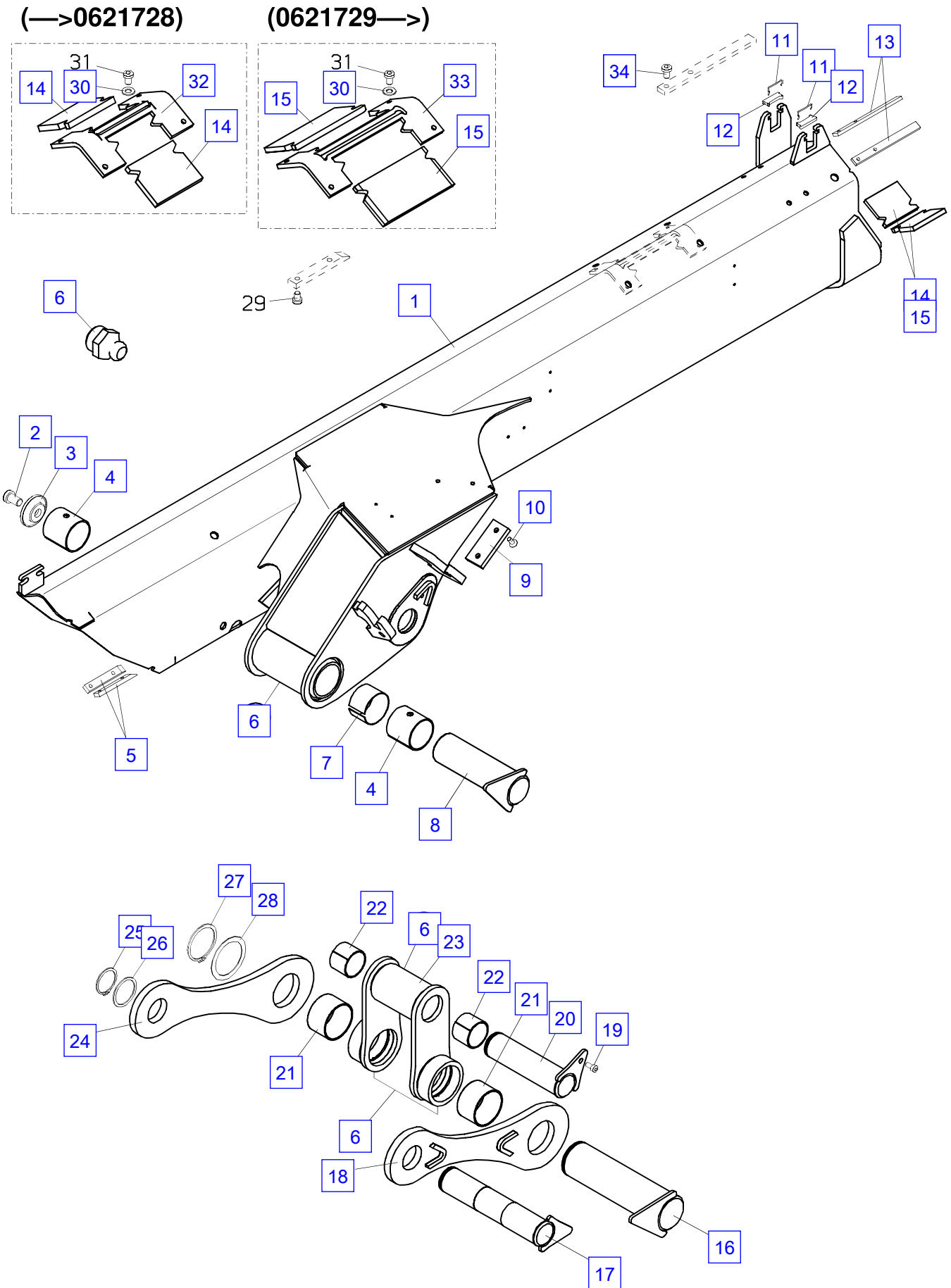
Outer boom

| No. | Spare part | Qty. | Description    | Dimension            |
|-----|------------|------|----------------|----------------------|
| 1   | S105K01-A  | 1    | Outer boom     |                      |
| 2   | ES 505     | 1    | Screw          | M 16x30 ISO4762 10.9 |
| 2   | ES 979     | 1    | Screw          | M 16x25 DIN7984 8.8  |
| 3   | HB 130     | 1    | Washer         | S0013 L0013 D0065    |
|     | HT16348    | 1    | Spacer         | D=35 s=1.5 mm        |
| 4   | ELG 011    | 2    | Bearing bush   | D 60x65x60           |
| 5   | HTR 659    | 2    | Guide block    | 8 mm                 |
| 5   | HTR 837    | 2    | Guide block    | 6 mm                 |
| 5   | HTR1024    | 2    | Guide block    | 10 mm                |
| 6   | EA 005     | 4    | Grease nipple  | M10x1 DIN71412       |
| 7   | HBD 314    | 1    | Spacer         | L0180 B0041 S0001    |
| 8   | HIG 599    | 1    | Pin            | D060.0xL0194.5       |
| 9   | HTR3920    | 1    | Stop buffer    | 10 mm                |
| 9   | HTR3921    | 1    | Stop buffer    | 12 mm                |
| 9   | HTR3922    | 1    | Stop buffer    | 13 mm                |
| 9   | HTR3923    | 1    | Stop buffer    | 14 mm                |
| 9   | HTR3924    | 1    | Stop buffer    | 8 mm                 |
| 9   | HTR3956    | 1    | Stop buffer    | 15 mm                |
| 9   | HTR3957    | 1    | Stop buffer    | 16 mm                |
| 9   | HTR3958    | 1    | Stop buffer    | 18 mm                |
| 9   | HTR3959    | 1    | Stop buffer    | 20 mm                |
| 10  | ES 109     | 2    | Screw          | M 8x20 ISO14581- 8.8 |
| 10  | ES 297     | 2    | Screw          | M 8x25 ISO14581- 8.8 |
| 11  | EF 144     | 2    | Spring         |                      |
| 12  | HT5746     | 2    | Bearer         | L=42 B=15 S=6        |
| 13  | HTR2951    | 2    | Guide block    | 6 mm                 |
| 13  | HTR2952    | 2    | Guide block    | 8 mm                 |
| 13  | HTR2953    | 2    | Guide block    | 10 mm                |
| 13  | HTR2982    | 2    | Guide block    | 1 mm                 |
| 14  | HF 846     | 4    | Guide block    | 8 mm l=85 mm         |
| 14  | HF 847     | 4    | Guide block    | 9 mm                 |
| 14  | HF 848     | 4    | Guide block    | 10 mm                |
| 14  | HF 849     | 4    | Guide block    | 11 mm                |
| 14  | HF 850     | 4    | Guide block    | 12 mm l=85 mm        |
| 14  | HF 851     | 4    | Guide block    | 13 mm l=85 mm        |
| 15  | HF 846A    | 4    | Guide block    | 8 mm                 |
| 15  | HF 847A    | 4    | Guide block    | 9 mm                 |
| 15  | HF 848A    | 4    | Guide block    | 10 mm                |
| 15  | HF 849A    | 4    | Guide block    | 11 mm                |
| 15  | HF 850A    | 4    | Guide block    | 12 mm                |
| 15  | HF 851A    | 4    | Guide block    | 13 mm                |
| 16  | HI2774     | 1    | Pin            | D070.0xL0245.0       |
| 17  | HI2773     | 1    | Pin            | D050.0xL0245.0       |
| 18  | HHK 317    | 1    | Linkage system |                      |
| 19  | ES 264     | 1    | Screw          | M8x16 ISO4762- 8.8   |
| 20  | HI2771     | 1    | Pin            | D050.0xL0181.1       |
| 21  | HBK 089    | 2    | Bearing bush   | D 70x75x45           |
| 22  | ELG 002    | 2    | Bearing bush   | D 50x55x40           |
| 23  | HHK 318    | 1    | Linkage system |                      |
| 24  | HHK 316    | 1    | Linkage system |                      |
| 25  | EQ 086     | 1    | Circlip        | D 50 DIN 471         |
| 26  | HBS 874    | 1    | Spacer         | 2 mm                 |
| 27  | EQ 062     | 1    | Circlip        | D 70 DIN 471         |
| 28  | HBS 760    | 1    | Spacer         | 1,5 mm               |
| 28  | HBS 888    | 1    | Spacer         | 2,0 mm               |
| 29  | ES1089     | 4    | Screw          | M 8x10 DIN 7984 8.8  |
| 30  | EK 003     | 4    | Washer         | D 8.4 ISO7089        |
| 31  | ES1082     | 4    | Screw          | M 8x12 DIN 7984 8.8  |
| 32  | HA3737     | 1    | Bearer         |                      |



## Outer boom

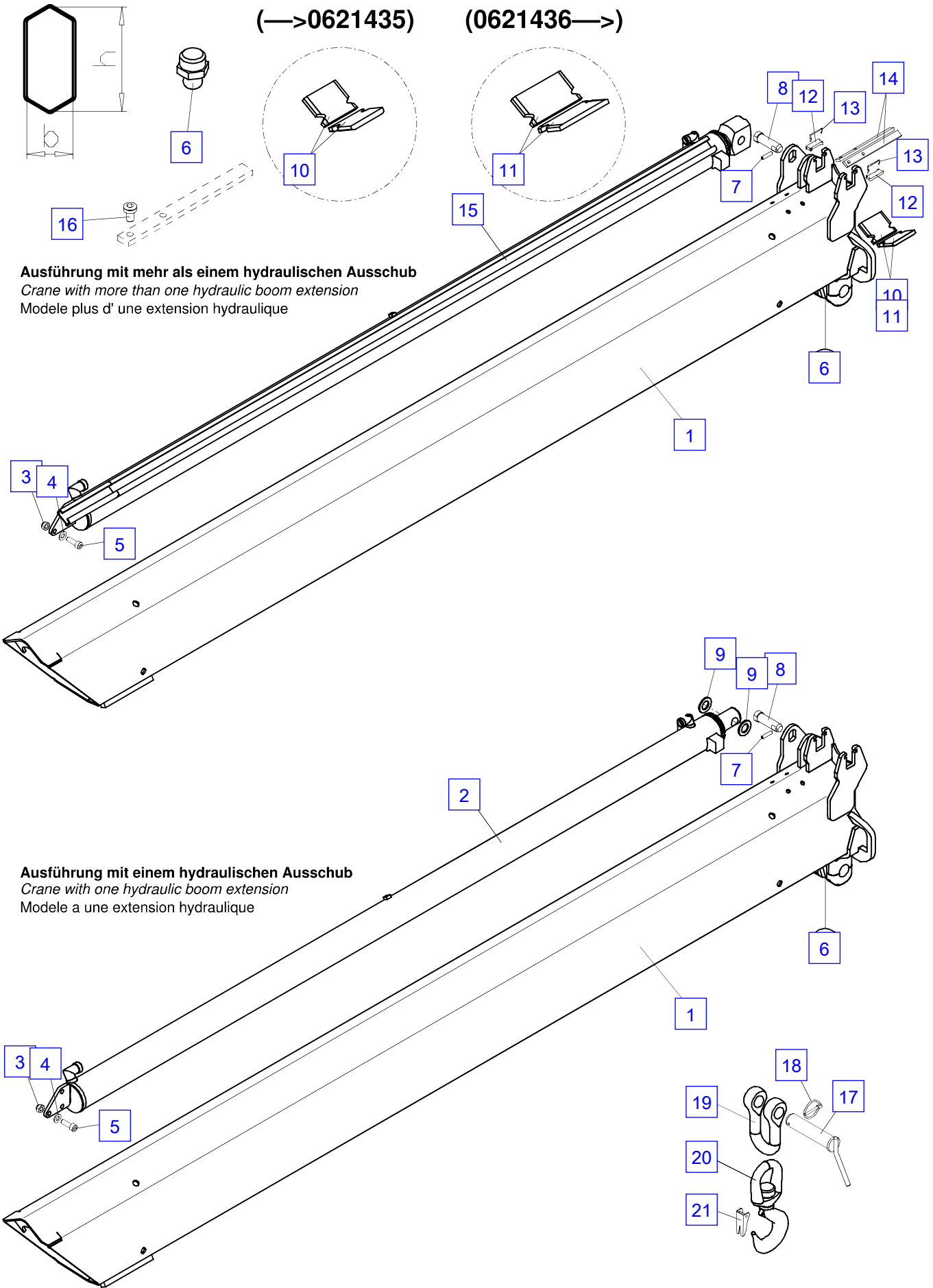
| No. | Spare part | Qty. | Description | Dimension           |
|-----|------------|------|-------------|---------------------|
| 33  | HA3737A    | 1    | Bearer      | L0211xB0110xS006    |
| 34  | ES1082     | 4    | Screw       | M 8x12 DIN 7984 8.8 |
| 34  | ES1089     | 4    | Screw       | M 8x10 DIN 7984 8.8 |



Boom extension 1

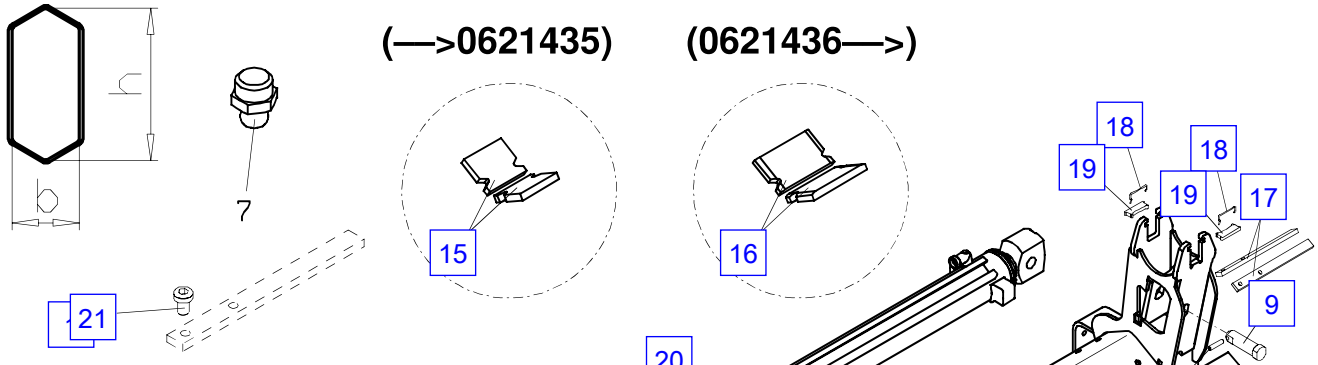
| No. | Spare part | Qty. | Description                              | Dimension                     |
|-----|------------|------|--|-------------------------------|
| 1   | S106T01-A  | 1    | Boom extension                           | 260x140 mm                    |
| 2   | UP2075     | 1    | Extension boom ram-1<br>(page 070.0600)  |                               |
| 2   | UP2075B    | 1    | Extension boom ram<br>(page 070.0601)    | Cr                            |
| 3   | EM 021     | 2    | Nut                                      | DIN 985 M10 CL8 ZB            |
| 4   | EK 007     | 2    | Washer                                   | D 10.5 ISO7089                |
| 5   | ES 276     | 2    | Screw                                    | M 10x30 ISO4762- 8.8          |
| 6   | EA 005     | 2    | Grease nipple                            | M10x1 DIN71412                |
| 7   | EQ 218     | 1    | Winding pin                              | D 6x30 ISO8752                |
| 8   | HI 704     | 1    | Pin                                      | D020.0xL0055.0                |
| 9   | EK 176     | 2    | Washer                                   | D021.0xD037.0 ISO7089         |
| 10  | HF 840     | 2    | Guide block                              | 8 mm l=70 mm                  |
| 10  | HF 841     | 2    | Guide block                              | 9 mm                          |
| 10  | HF 842     | 2    | Guide block                              | 10 mm                         |
| 10  | HF 843     | 2    | Guide block                              | 11 mm                         |
| 10  | HF 844     | 2    | Guide block                              | 12 mm l=70 mm                 |
| 10  | HF 845     | 2    | Guide block                              | 13 mm l=70 mm                 |
| 11  | HF 840A    | 2    | Guide block                              | 8 mm                          |
| 11  | HF 841A    | 2    | Guide block                              | 9 mm                          |
| 11  | HF 842A    | 2    | Guide block                              | 10 mm                         |
| 11  | HF 843A    | 2    | Guide block                              | 11 mm                         |
| 11  | HF 844A    | 2    | Guide block                              | 12 mm                         |
| 11  | HF 845A    | 2    | Guide block                              | 13 mm                         |
| 12  | HT5746     | 2    | Bearer                                   | L=42 B=15 S=6                 |
| 13  | EF 144     | 2    | Spring                                   |                               |
| 14  | HTR2951    | 2    | Guide block                              | 6 mm                          |
| 14  | HTR2952    | 2    | Guide block                              | 8 mm                          |
| 14  | HTR2953    | 2    | Guide block                              | 10 mm                         |
| 14  | HTR2982    | 2    | Guide block                              | 1 mm                          |
| 15  | UP1452     | 1    | Extension boom ram-II<br>(page 070.0600) |                               |
| 15  | UP1452B    | 1    | Extension boom ram<br>(page 070.0601)    | Cr                            |
| 16  | ES1082     | 4    | Screw                                    | M 8x12 DIN 7984 8.8           |
| 16  | ES1089     | 4    | Screw                                    | M 8x10 DIN 7984 8.8           |
| 17  | HIS 008    | 1    | Pin                                      | l=135 mm                      |
| 18  | EQ 042     | 1    | Bolt retainer                            | D 5,0 DIN 11023 - 05x042 - ST |
| 19  | HXL 010    | 1    | Suspension eye                           | 11t                           |
| 20  | EZ1422     | 1    | Crane hook<br>(+21)                      | 5,4 t                         |
|     | EZ1423     | 1    | Safety latch                             |                               |
| 20  | EZ1600     | 1    | Crane hook<br>(+21)                      | 8,0 t                         |
|     | EZ1599     | 1    | Safety latch                             |                               |
| 21  | EZ1423     | 1    | Safety latch                             |                               |
| 21  | EZ1599     | 1    | Safety latch<br>(for EZ1600)             |                               |



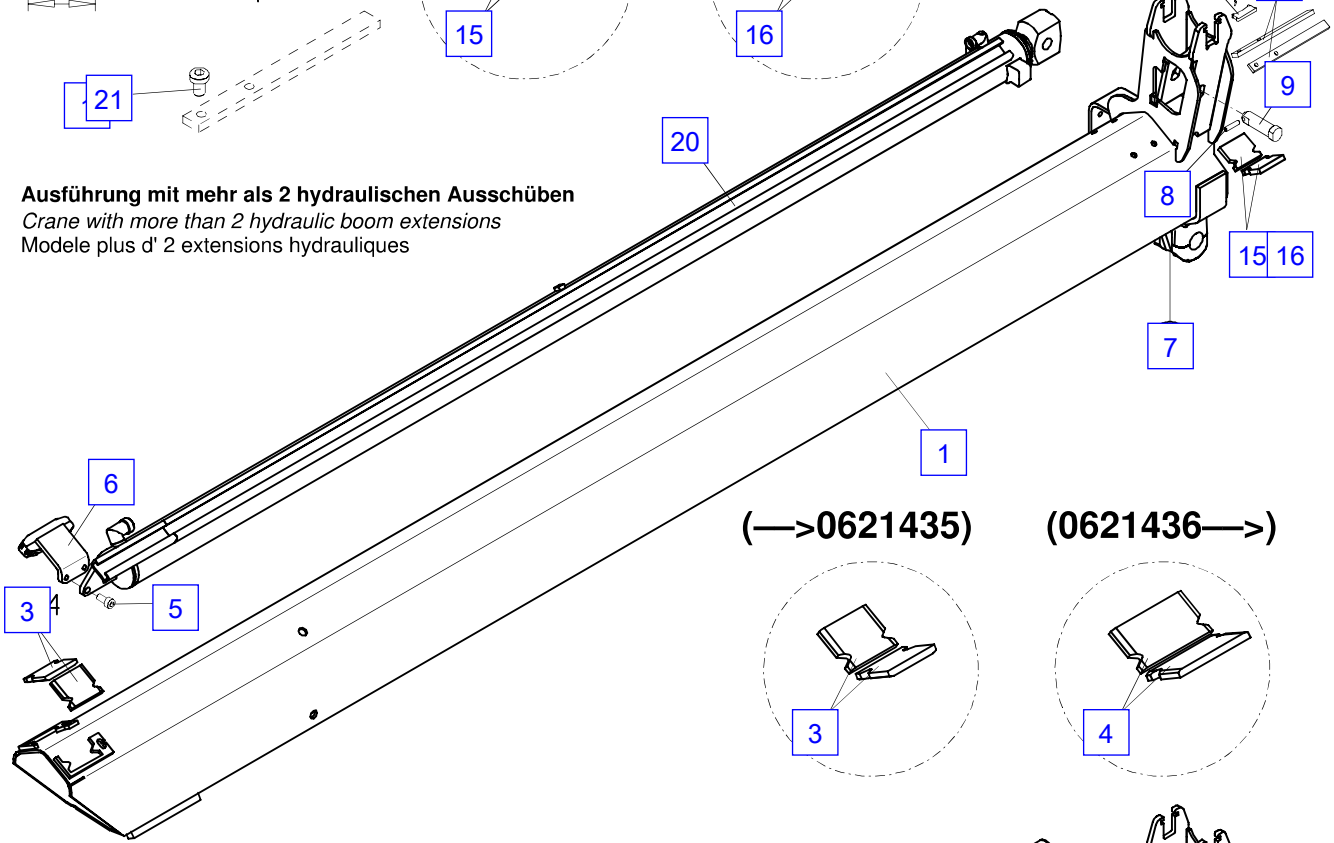


Boom extension 2

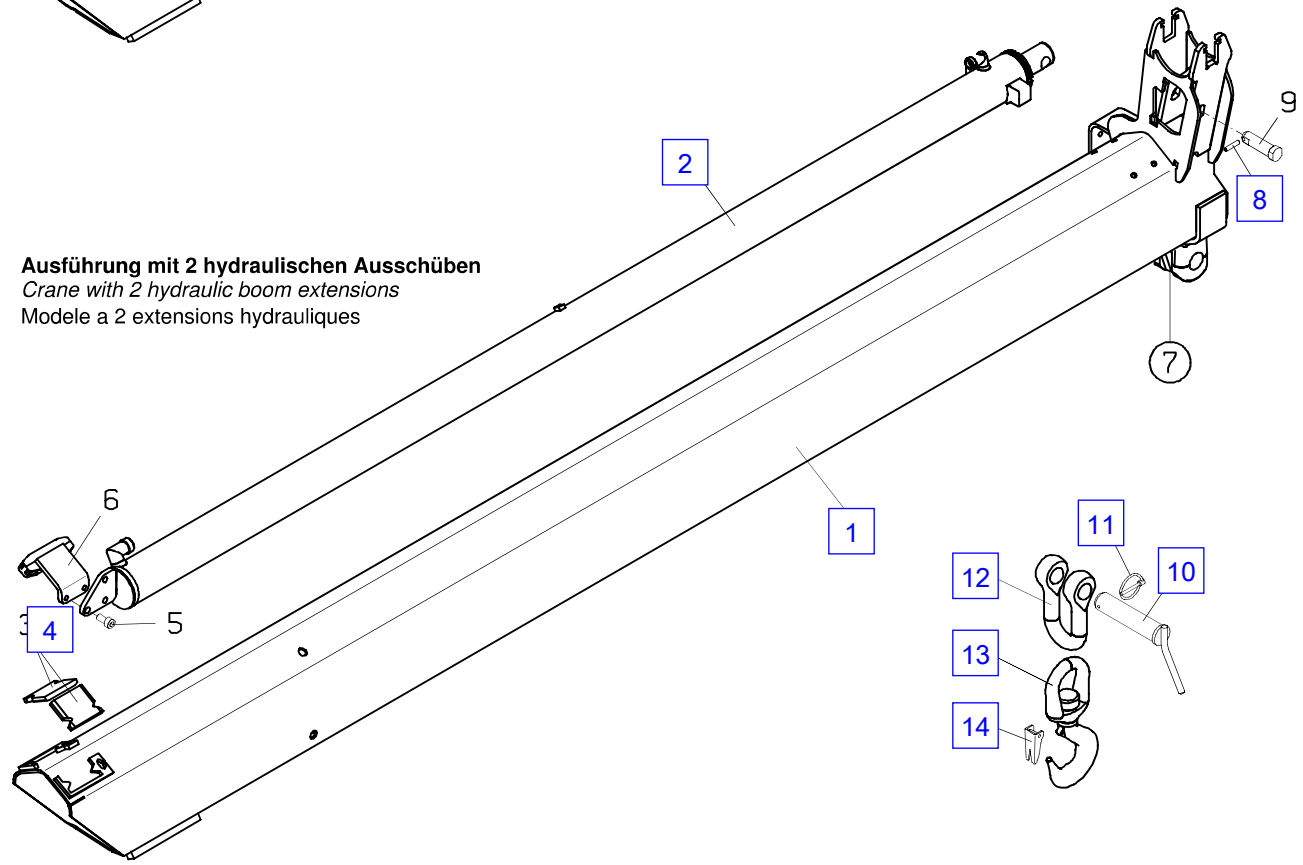
| No. | Spare part | Qty. | Description                              | Dimension                     |
|-----|------------|------|--|-------------------------------|
| 1   | 1160-711   | 1    | Boom extensions                          | 224x120 mm                    |
| 2   | UP2075     | 1    | Extension boom ram-1<br>(page 070.0600)  |                               |
| 2   | UP2075B    | 1    | Extension boom ram<br>(page 070.0601)    | Cr                            |
| 3   | HF 840     | 2    | Guide block                              | 8 mm l=70 mm                  |
| 3   | HF 841     | 2    | Guide block                              | 9 mm                          |
| 3   | HF 842     | 2    | Guide block                              | 10 mm                         |
| 3   | HF 843     | 2    | Guide block                              | 11 mm                         |
| 3   | HF 844     | 2    | Guide block                              | 12 mm l=70 mm                 |
| 3   | HF 845     | 2    | Guide block                              | 13 mm l=70 mm                 |
| 4   | HF 840A    | 2    | Guide block                              | 8 mm                          |
| 4   | HF 841A    | 2    | Guide block                              | 9 mm                          |
| 4   | HF 842A    | 2    | Guide block                              | 10 mm                         |
| 4   | HF 843A    | 2    | Guide block                              | 11 mm                         |
| 4   | HF 844A    | 2    | Guide block                              | 12 mm                         |
| 4   | HF 845A    | 2    | Guide block                              | 13 mm                         |
| 5   | ES 050     | 2    | Screw                                    | M 10x20 ISO4762-10.9          |
| 6   | HXE1679B   | 1    | Cylinder guide                           |                               |
|     | EM 006     | 2    | Nut                                      | DIN 934 M10 CL8 ZB            |
|     | EZ2402A    | 1    | Guide block                              |                               |
|     | ES 828     | 2    | Screw                                    | M 10x40 ISO14581-8.8          |
| 7   | EA 005     | 1    | Grease nipple                            | M10x1 DIN71412                |
| 8   | EQ 218     | 1    | Winding pin                              | D 6x30 ISO8752                |
| 9   | HI 704     | 1    | Pin                                      | D020.0xL0055.0                |
| 10  | HIS 008    | 1    | Pin                                      | l=135 mm                      |
| 11  | EQ 042     | 1    | Bolt retainer                            | D 5,0 DIN 11023 - 05x042 - ST |
| 12  | HXL 010    | 1    | Suspension eye                           | 11t                           |
| 13  | EZ1422     | 1    | Crane hook<br>(+14)                      | 5,4 t                         |
|     | EZ1423     | 1    | Safety latch                             |                               |
| 13  | EZ1600     | 1    | Crane hook<br>(+14)                      | 8,0 t                         |
|     | EZ1599     | 1    | Safety latch                             |                               |
| 14  | EZ1423     | 1    | Safety latch<br>EZ1422                   |                               |
| 14  | EZ1599     | 1    | Safety latch<br>EZ1600                   |                               |
| 15  | HF 834     | 2    | Guide block                              | 8 mm l=55 mm                  |
| 15  | HF 835     | 2    | Guide block                              | 9 mm l=55 mm                  |
| 15  | HF 836     | 2    | Guide block                              | 10 mm l=55 mm                 |
| 15  | HF 837     | 2    | Guide block                              | 11 mm l=55 mm                 |
| 15  | HF 838     | 2    | Guide block                              | 12 mm l=55 mm                 |
| 15  | HF 839     | 2    | Guide block                              | 13 mm l=55 mm                 |
| 16  | HF 834A    | 2    | Guide block                              | 8 mm                          |
| 16  | HF 835A    | 2    | Guide block                              | 9 mm                          |
| 16  | HF 836A    | 2    | Guide block                              | 10 mm                         |
| 16  | HF 838A    | 1    | Guide block                              | 12 mm                         |
| 16  | HF 835A    | 1    | Guide block                              | 9 mm                          |
| 16  | HF 834A    | 1    | Guide block                              | 8 mm                          |
| 16  | HF 837A    | 2    | Guide block                              | 11 mm                         |
| 16  | HF 838A    | 2    | Guide block                              | 12 mm                         |
| 16  | HF 839A    | 2    | Guide block                              | 13 mm                         |
| 17  | HTR2951    | 2    | Guide block                              | 6 mm                          |
| 17  | HTR2952    | 2    | Guide block                              | 8 mm                          |
| 17  | HTR2953    | 2    | Guide block                              | 10 mm                         |
| 17  | HTR2982    | 2    | Guide block                              | 1 mm                          |
| 18  | EF 144     | 2    | Spring                                   |                               |
| 19  | HT5746     | 2    | Bearer                                   | L=42 B=15 S=6                 |
| 20  | UP1452     | 1    | Extension boom ram-II<br>(page 070.0600) |                               |



**Ausführung mit mehr als 2 hydraulischen Ausschüben**  
*Crane with more than 2 hydraulic boom extensions*  
*Modele plus d' 2 extensions hydrauliques*

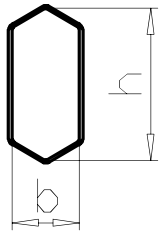


**Ausführung mit 2 hydraulischen Ausschüben**  
*Crane with 2 hydraulic boom extensions*  
*Modele a 2 extensions hydrauliques*



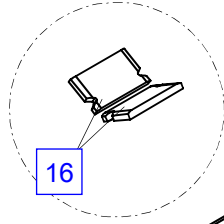
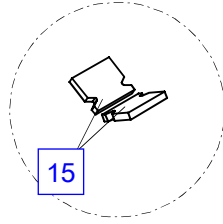
## Boom extension 2

| No. | Spare part | Qty. | Description                           | Dimension           |
|-----|------------|------|---------------------------------------|---------------------|
| 20  | UP1452B    | 1    | Extension boom ram<br>(page 070.0601) | Cr                  |
| 21  | ES1082     | 4    | Screw                                 | M 8x12 DIN 7984 8.8 |
| 21  | ES1089     | 4    | Screw                                 | M 8x10 DIN 7984 8.8 |

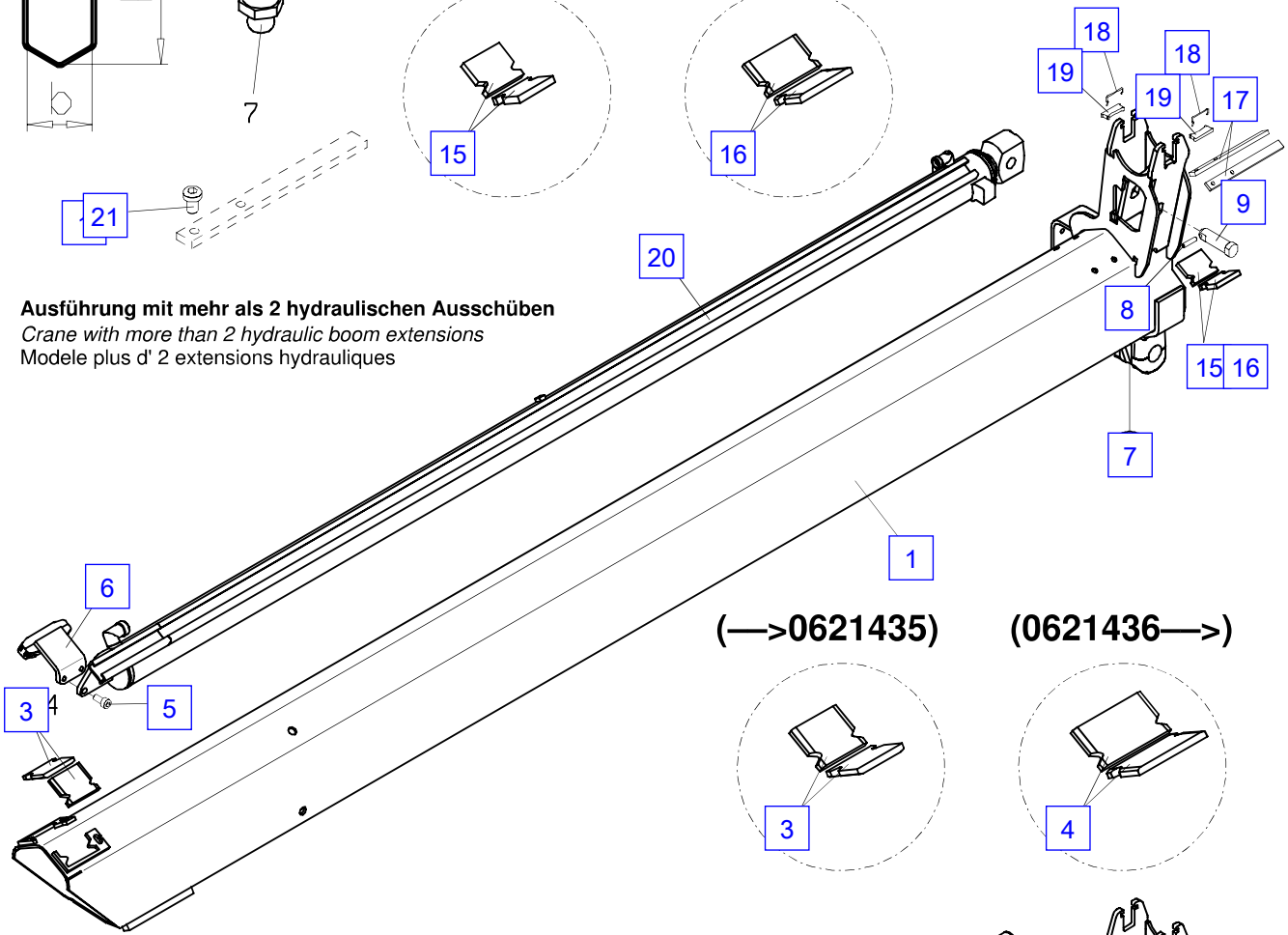


(→0621435)

(0621436→)

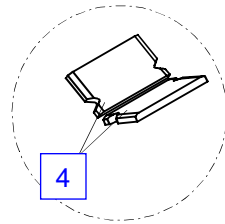
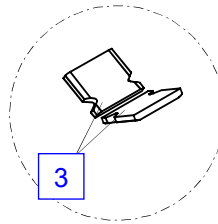


**Ausführung mit mehr als 2 hydraulischen Ausschüben**  
*Crane with more than 2 hydraulic boom extensions*  
 Modele plus d' 2 extensions hydrauliques

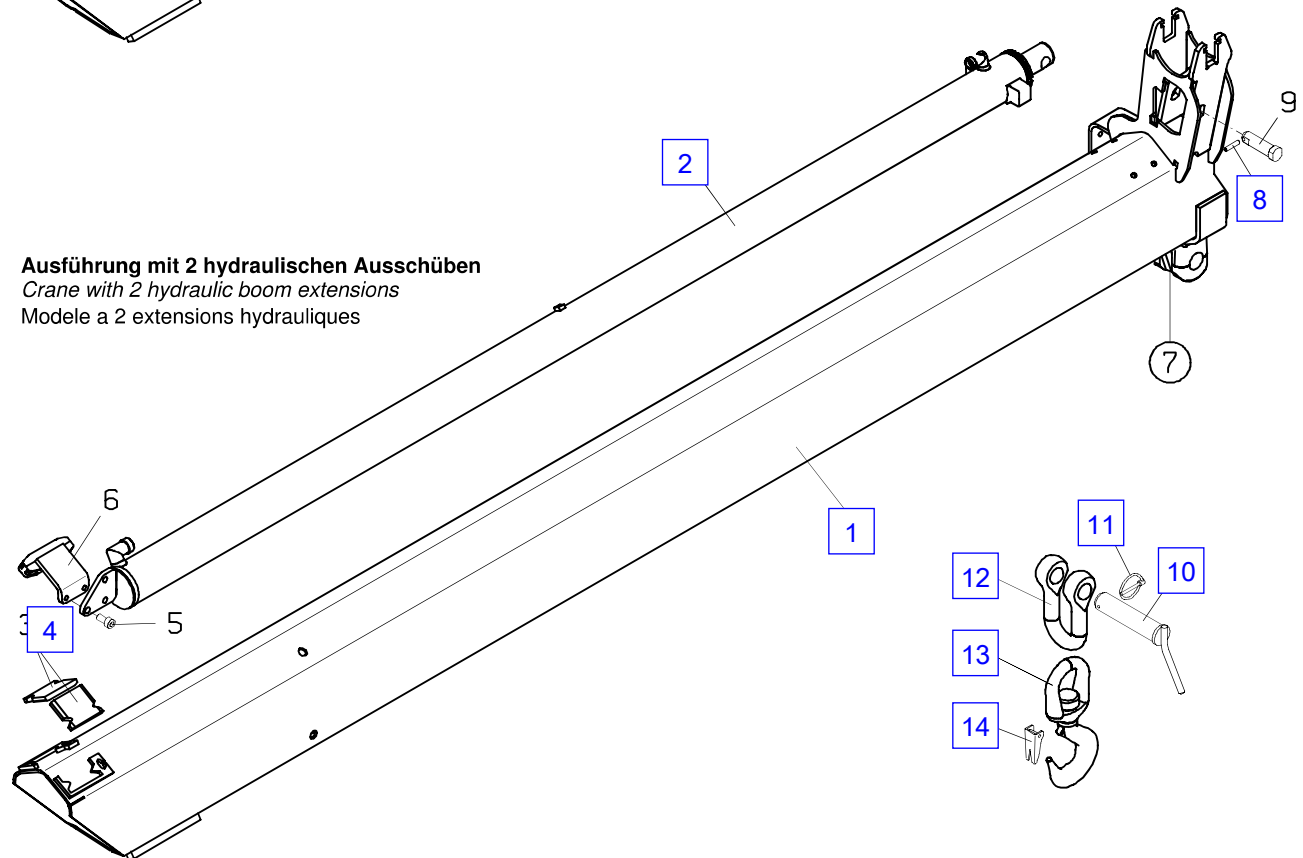


(→0621435)

(0621436→)

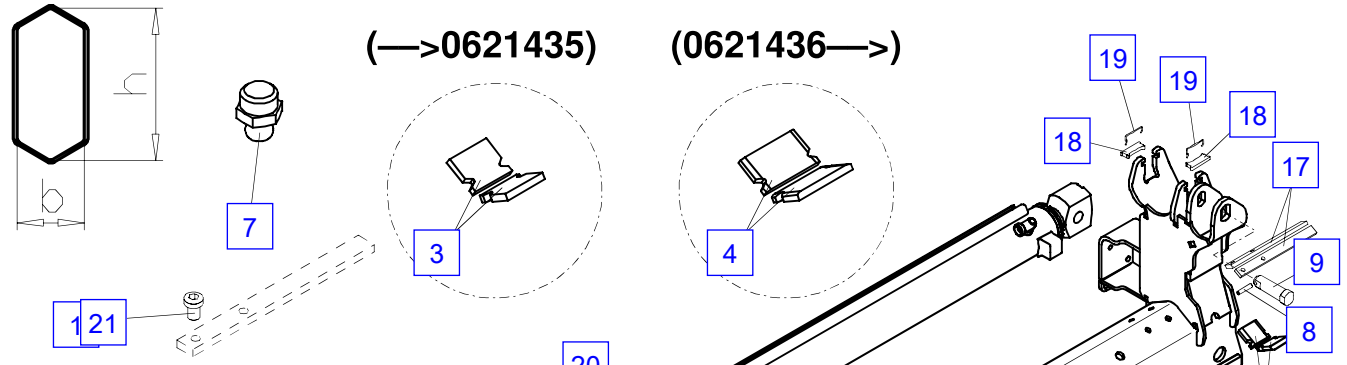


**Ausführung mit 2 hydraulischen Ausschüben**  
*Crane with 2 hydraulic boom extensions*  
 Modele a 2 extensions hydrauliques

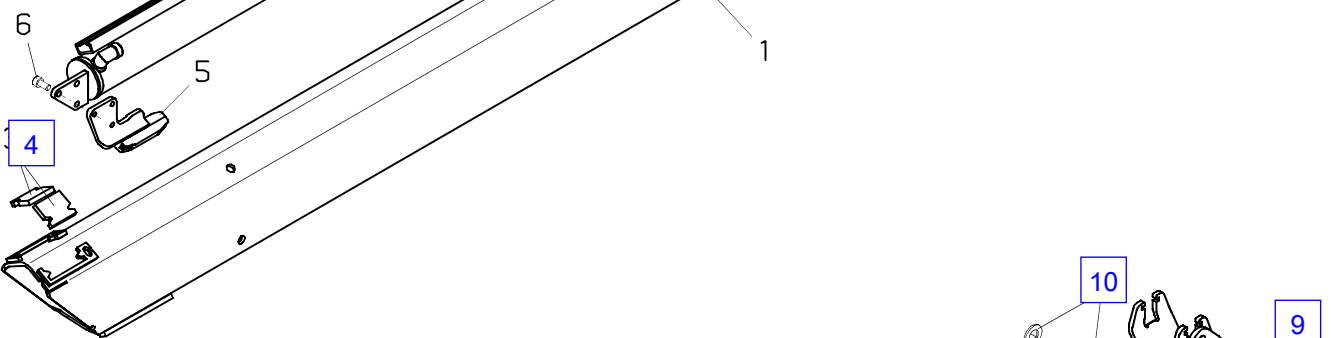


Boom extension 3

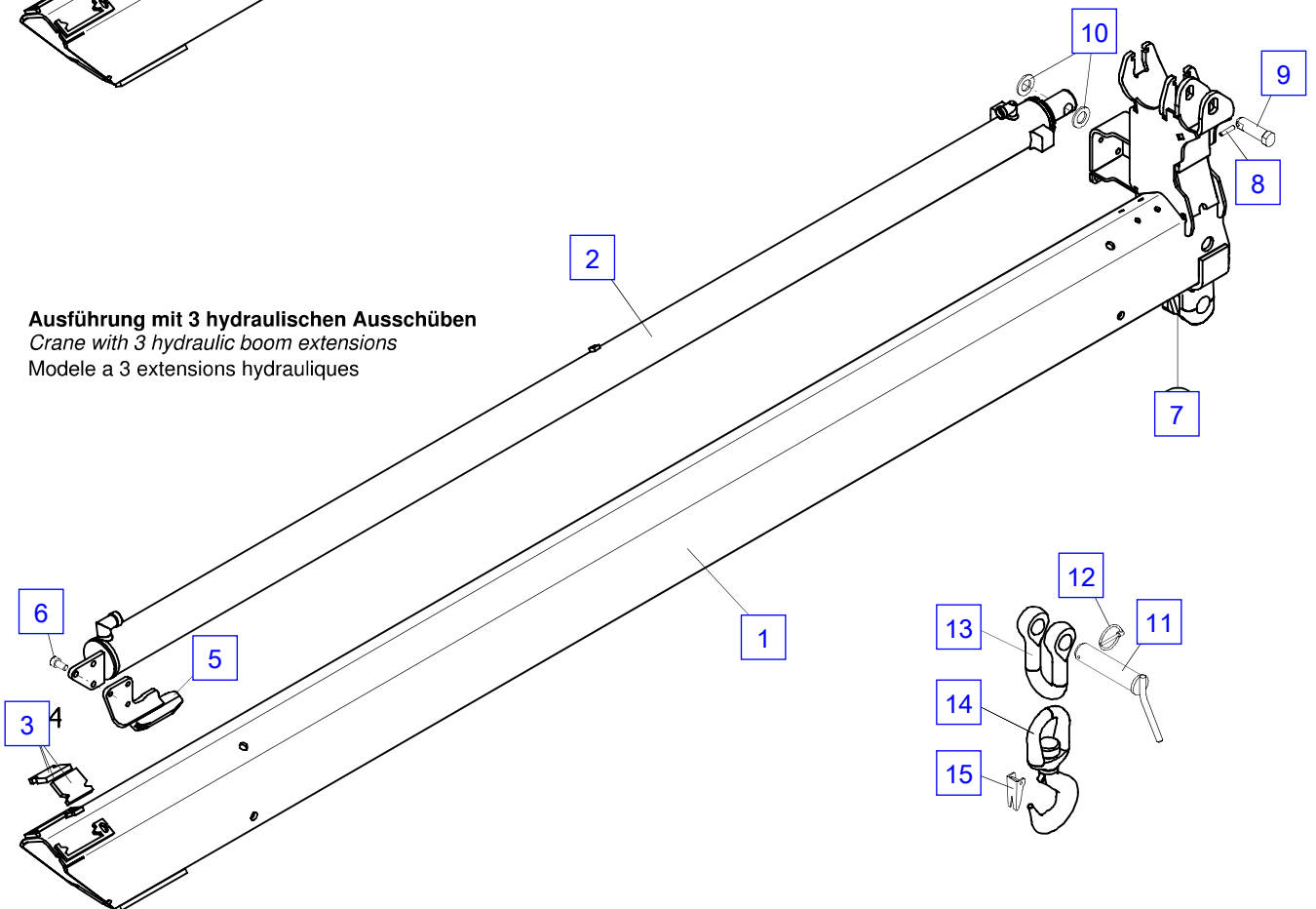
| No. | Spare part | Qty. | Description                             | Dimension                     |
|-----|------------|------|---|-------------------------------|
| 1   | 1160-712   | 1    | Boom extensions                         | 188x98 mm                     |
| 2   | UP1454     | 1    | Extension boom ram<br>(page 070.0600)   |                               |
| 2   | UP1454A    | 1    | Extension boom ram<br>(page 070.0601)   | Cr                            |
| 3   | HF 834     | 2    | Guide block                             | 8 mm l=55 mm                  |
| 3   | HF 835     | 2    | Guide block                             | 9 mm l=55 mm                  |
| 3   | HF 836     | 2    | Guide block                             | 10 mm l=55 mm                 |
| 3   | HF 837     | 2    | Guide block                             | 11 mm l=55 mm                 |
| 3   | HF 838     | 2    | Guide block                             | 12 mm l=55 mm                 |
| 3   | HF 839     | 2    | Guide block                             | 13 mm l=55 mm                 |
| 4   | HF 834A    | 2    | Guide block                             | 8 mm                          |
| 4   | HF 835A    | 2    | Guide block                             | 9 mm                          |
| 4   | HF 836A    | 2    | Guide block                             | 10 mm                         |
| 4   | HF 838A    | 1    | Guide block                             | 12 mm                         |
| 4   | HF 835A    | 1    | Guide block                             | 9 mm                          |
| 4   | HF 834A    | 1    | Guide block                             | 8 mm                          |
| 4   | HF 837A    | 2    | Guide block                             | 11 mm                         |
| 4   | HF 838A    | 2    | Guide block                             | 12 mm                         |
| 4   | HF 839A    | 2    | Guide block                             | 13 mm                         |
| 5   | HXE1624A   | 1    | Cylinder guide                          |                               |
|     | EM 006     | 2    | Nut                                     | DIN 934 M10 CL8 ZB            |
|     | EZ2402A    | 1    | Guide block                             |                               |
|     | ES 828     | 2    | Screw                                   | M 10x40 ISO14581-8.8          |
| 6   | ES 050     | 3    | Screw                                   | M 10x20 ISO4762-10.9          |
| 7   | EA 005     | 1    | Grease nipple                           | M10x1 DIN71412                |
| 8   | EQ 218     | 1    | Winding pin                             | D 6x30 ISO8752                |
| 9   | HI 704     | 1    | Pin                                     | D020.0xL0055.0                |
| 10  | EK 176     | 2    | Washer                                  | D021.0xD037.0 ISO7089         |
| 11  | HIS 008    | 1    | Pin                                     | l=135 mm                      |
| 12  | EQ 042     | 1    | Bolt retainer                           | D 5,0 DIN 11023 - 05x042 - ST |
| 13  | HXL 010    | 1    | Suspension eye                          | 11t                           |
| 14  | EZ1422     | 1    | Crane hook<br>(+15)                     | 5,4 t                         |
|     | EZ1423     | 1    | Safety latch                            |                               |
| 14  | EZ1600     | 1    | Crane hook<br>(+15)                     | 8,0 t                         |
|     | EZ1599     | 1    | Safety latch                            |                               |
| 15  | EZ1423     | 1    | Safety latch<br>EZ1422                  |                               |
| 15  | EZ1599     | 1    | Safety latch<br>EZ1600                  |                               |
| 16  | HF 829     | 2    | Guide block                             | 8 mm                          |
| 16  | HF 830     | 2    | Guide block                             | 9 mm                          |
| 16  | HF 831     | 2    | Guide block                             | 10 mm                         |
| 16  | HF 832     | 2    | Guide block                             | 11 mm                         |
| 16  | HF 833     | 2    | Guide block                             | 12 mm                         |
| 17  | HTR2951    | 2    | Guide block                             | 6 mm                          |
| 17  | HTR2952    | 2    | Guide block                             | 8 mm                          |
| 17  | HTR2953    | 2    | Guide block                             | 10 mm                         |
| 17  | HTR2982    | 2    | Guide block                             | 1 mm                          |
| 18  | HT5746     | 2    | Bearer                                  | L=42 B=15 S=6                 |
| 19  | EF 144     | 2    | Spring                                  |                               |
| 20  | UP1453     | 1    | Extension boom ram-3<br>(page 070.0600) |                               |
| 20  | UP1453A    | 1    | Extension boom ram<br>(page 070.0601)   | Cr                            |
| 21  | ES1082     | 4    | Screw                                   | M 8x12 DIN 7984 8.8           |
| 21  | ES1089     | 4    | Screw                                   | M 8x10 DIN 7984 8.8           |



**Ausführung mit mehr als 3 hydraulischen Ausschüben**  
 Crane with more than 3 hydraulic boom extensions  
 Modèle plus d' 3 extensions hydrauliques



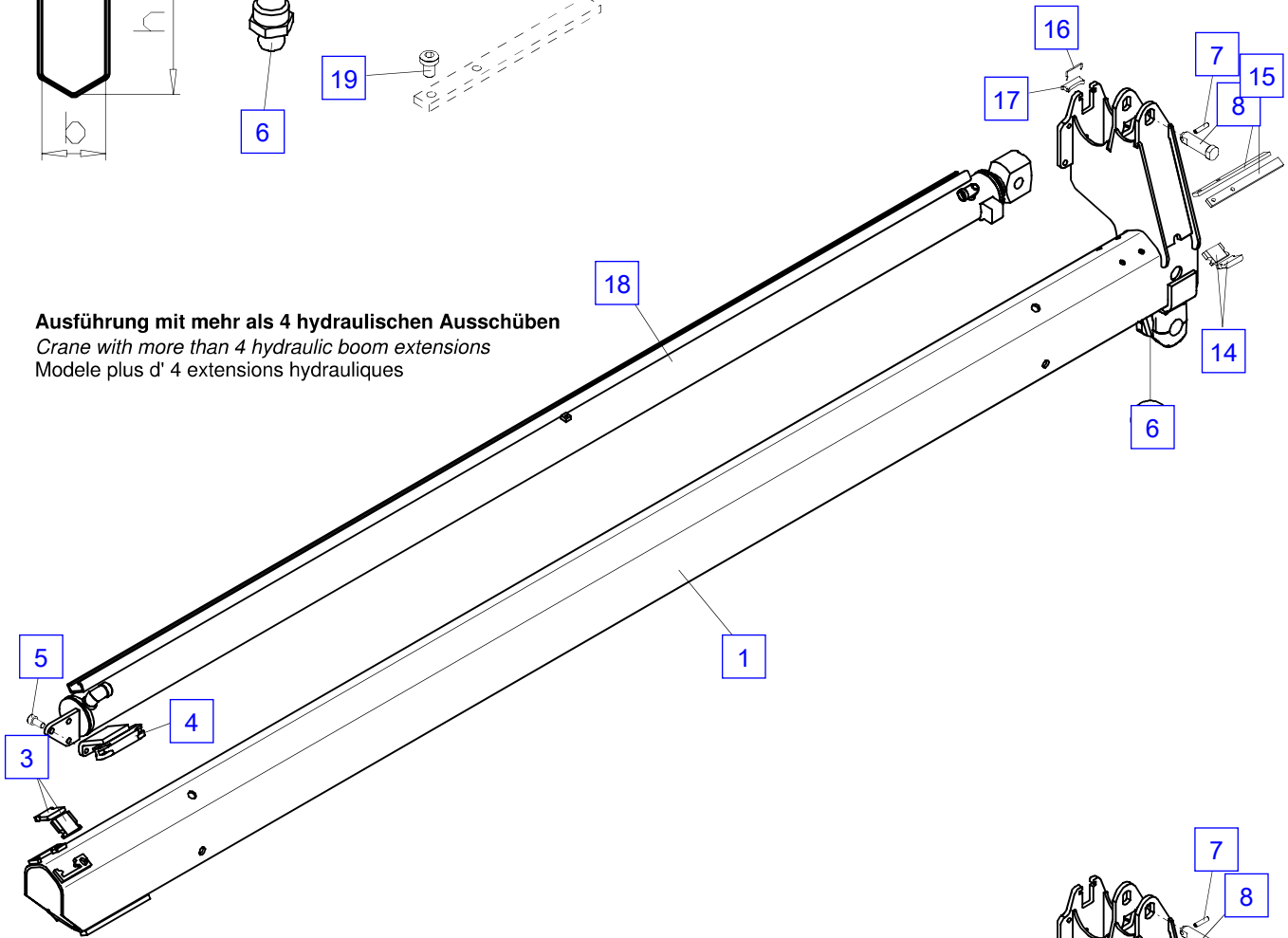
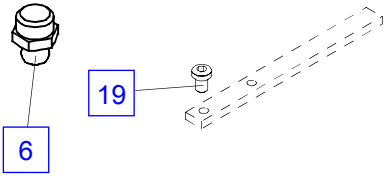
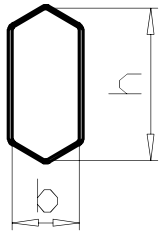
**Ausführung mit 3 hydraulischen Ausschüben**  
 Crane with 3 hydraulic boom extensions  
 Modèle a 3 extensions hydrauliques



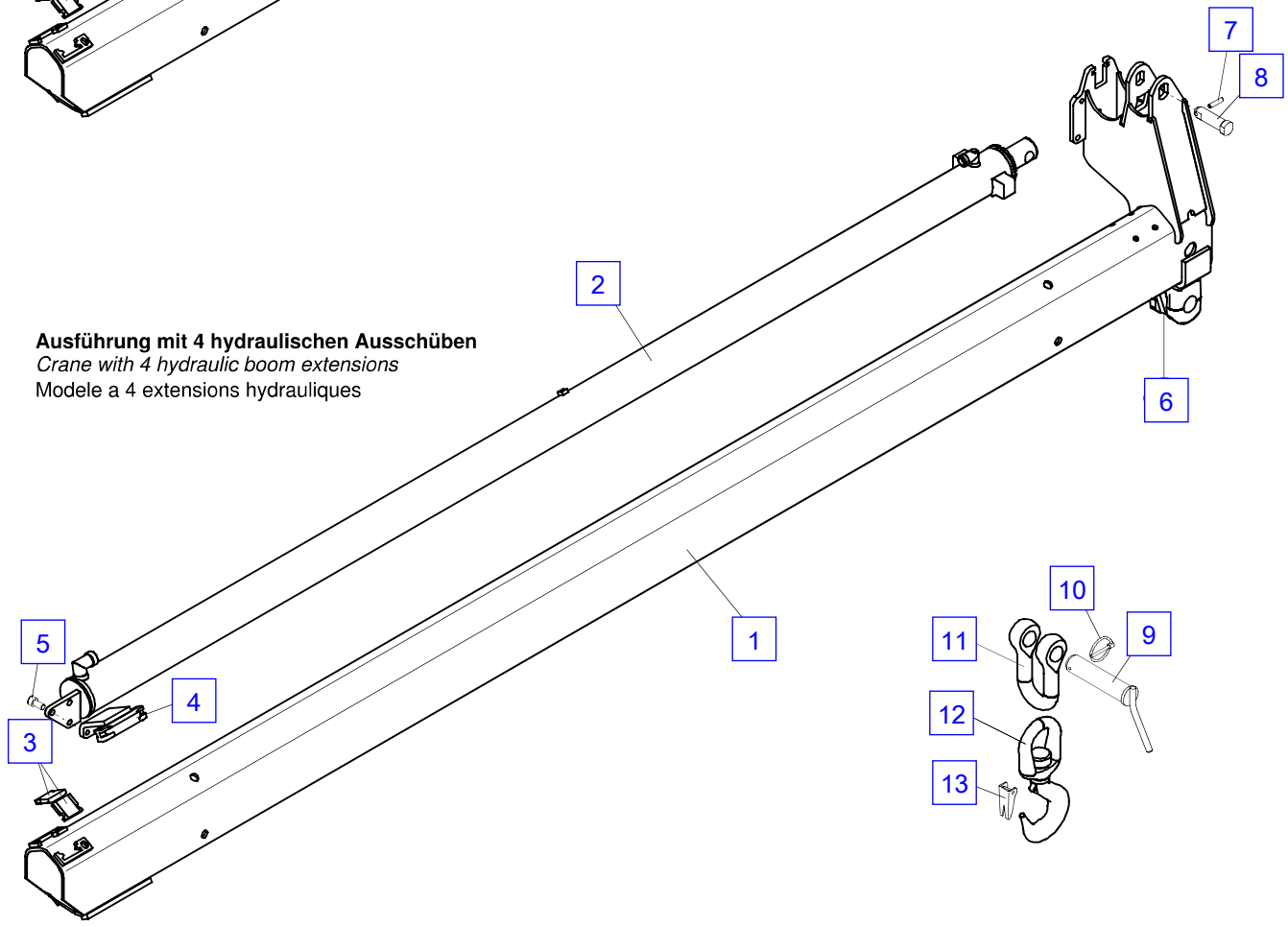
Boom extension 4

| No. | Spare part | Qty. | Description                             | Dimension                     |
|-----|------------|------|---|-------------------------------|
| 1   | 1160-713   | 1    | Boom extensions                         | 155x79 mm                     |
| 2   | UP1454     | 1    | Extension boom ram<br>(page 070.0600)   |                               |
| 2   | UP1454A    | 1    | Extension boom ram<br>(page 070.0601)   | Cr                            |
| 3   | HF 829     | 2    | Guide block                             | 8 mm                          |
| 3   | HF 830     | 2    | Guide block                             | 9 mm                          |
| 3   | HF 831     | 2    | Guide block                             | 10 mm                         |
| 3   | HF 832     | 2    | Guide block                             | 11 mm                         |
| 3   | HF 833     | 2    | Guide block                             | 12 mm                         |
| 4   | HXE1679B   | 1    | Cylinder guide                          |                               |
|     | EM 006     | 2    | Nut                                     | DIN 934 M10 CL8 ZB            |
|     | EZ2402A    | 1    | Guide block                             |                               |
|     | ES 828     | 2    | Screw                                   | M 10x40 ISO14581-8.8          |
| 5   | ES 050     | 2    | Screw                                   | M 10x20 ISO4762-10.9          |
| 6   | EA 005     | 1    | Grease nipple                           | M10x1 DIN71412                |
| 7   | EQ 218     | 1    | Winding pin                             | D 6x30 ISO8752                |
| 8   | HI 704     | 1    | Pin                                     | D020.0xL0055.0                |
| 9   | HIS 008    | 1    | Pin                                     | l=135 mm                      |
| 10  | EQ 042     | 1    | Bolt retainer                           | D 5,0 DIN 11023 - 05x042 - ST |
| 11  | HXL 010    | 1    | Suspension eye                          | 11t                           |
| 12  | EZ1422     | 1    | Crane hook<br>(+13)                     | 5,4 t                         |
|     | EZ1423     | 1    | Safety latch                            |                               |
| 12  | EZ1600     | 1    | Crane hook<br>(+13)                     | 8,0 t                         |
|     | EZ1599     | 1    | Safety latch                            |                               |
| 13  | EZ1423     | 1    | Safety latch<br>EZ1422                  |                               |
| 13  | EZ1599     | 1    | Safety latch<br>EZ1600                  |                               |
| 14  | HF 824     | 2    | Guide block                             | 8 mm                          |
| 14  | HF 825     | 2    | Guide block                             | 9 mm                          |
| 14  | HF 826     | 2    | Guide block                             | 10 mm                         |
| 14  | HF 827     | 2    | Guide block                             | 11 mm                         |
| 14  | HF 828     | 2    | Guide block                             | 12 mm                         |
| 15  | HTR2951    | 2    | Guide block                             | 6 mm                          |
| 15  | HTR2952    | 2    | Guide block                             | 8 mm                          |
| 15  | HTR2953    | 2    | Guide block                             | 10 mm                         |
| 15  | HTR2982    | 2    | Guide block                             | 1 mm                          |
| 16  | EF 144     | 1    | Spring                                  |                               |
| 17  | HT5746     | 1    | Bearer                                  | L=42 B=15 S=6                 |
| 18  | UP1453     | 1    | Extension boom ram-3<br>(page 070.0600) |                               |
| 18  | UP1453A    | 1    | Extension boom ram<br>(page 070.0601)   | Cr                            |
| 19  | ES1082     | 4    | Screw                                   | M 8x12 DIN 7984 8.8           |
| 19  | ES1089     | 4    | Screw                                   | M 8x10 DIN 7984 8.8           |





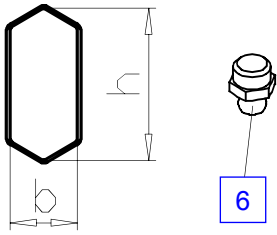
**Ausführung mit mehr als 4 hydraulischen Ausschüben**  
*Crane with more than 4 hydraulic boom extensions*  
 Modele plus d' 4 extensions hydrauliques



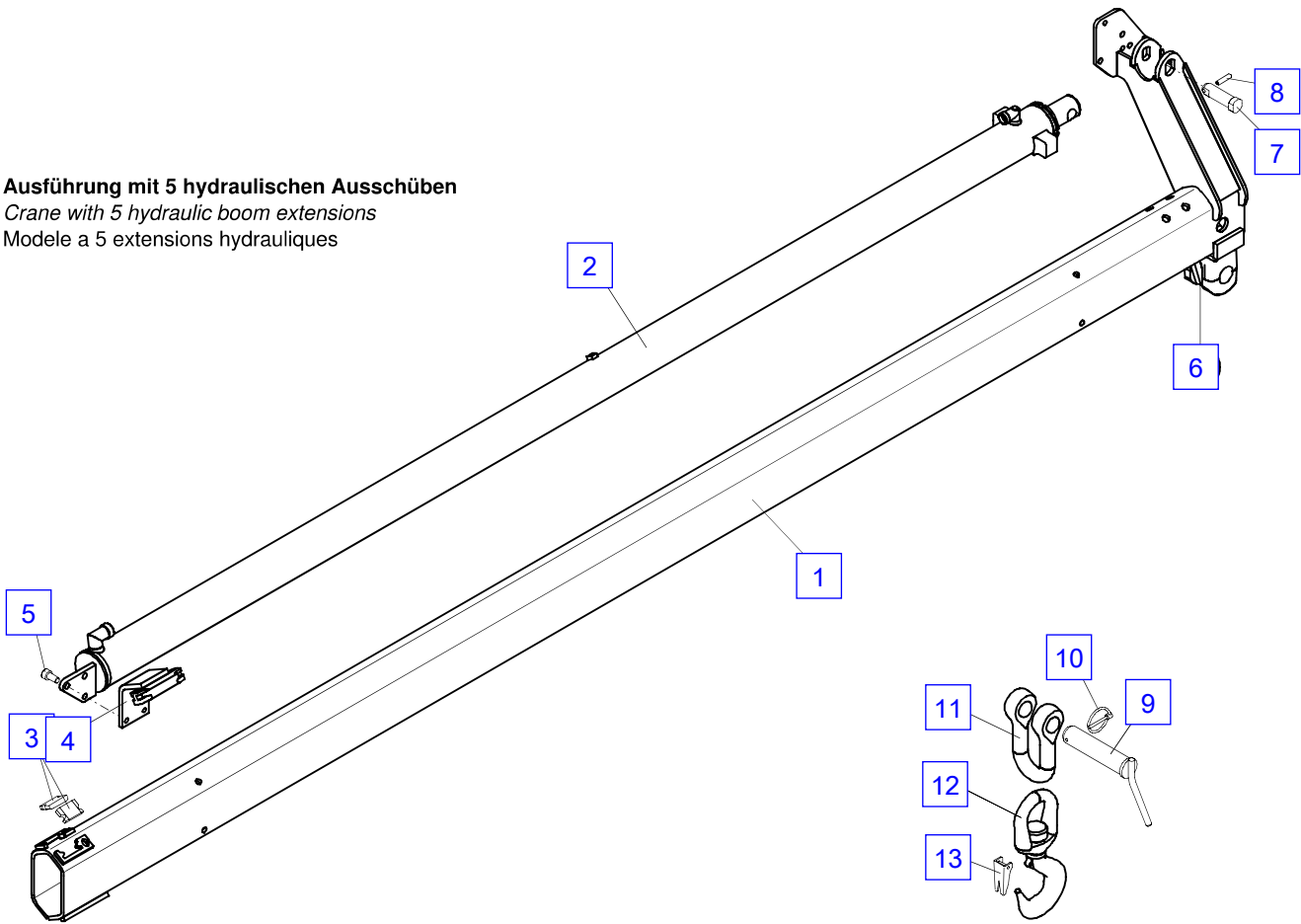
**Ausführung mit 4 hydraulischen Ausschüben**  
*Crane with 4 hydraulic boom extensions*  
 Modele a 4 extensions hydrauliques

Boom extension 5

| No. | Spare part | Qty. | Description                           | Dimension                     |
|-----|------------|------|---------------------------------------|-------------------------------|
| 1   | 1160-714   | 1    | Boom extensions                       | 123x62 mm                     |
| 2   | UP1454     | 1    | Extension boom ram<br>(page 070.0600) |                               |
| 2   | UP1454A    | 1    | Extension boom ram<br>(page 070.0601) | Cr                            |
| 3   | HF 824     | 2    | Guide block                           | 8 mm                          |
| 3   | HF 825     | 2    | Guide block                           | 9 mm                          |
| 3   | HF 826     | 2    | Guide block                           | 10 mm                         |
| 3   | HF 827     | 2    | Guide block                           | 11 mm                         |
| 3   | HF 828     | 2    | Guide block                           | 12 mm                         |
| 4   | HXE1623A   | 1    | Cylinder guide                        |                               |
|     | EZ2402A    | 1    | Guide block                           |                               |
|     | ES 828     | 2    | Screw                                 | M 10x40 ISO14581-8.8          |
|     | EM 006     | 2    | Nut                                   | DIN 934 M10 CL8 ZB            |
| 5   | ES 050     | 2    | Screw                                 | M 10x20 ISO4762-10.9          |
| 6   | EA 005     | 1    | Grease nipple                         | M10x1 DIN71412                |
| 7   | HI 704     | 1    | Pin                                   | D020.0xL0055.0                |
| 8   | EQ 218     | 1    | Winding pin                           | D 6x30 ISO8752                |
| 9   | HIS 008    | 1    | Pin                                   | l=135 mm                      |
| 10  | EQ 042     | 1    | Bolt retainer                         | D 5,0 DIN 11023 - 05x042 - ST |
| 11  | HXL 010    | 1    | Suspension eye                        | 11t                           |
| 12  | EZ1422     | 1    | Crane hook<br>(+13)                   | 5,4 t                         |
|     | EZ1423     | 1    | Safety latch                          |                               |
| 12  | EZ1600     | 1    | Crane hook<br>(+13)                   | 8,0 t                         |
|     | EZ1599     | 1    | Safety latch                          |                               |
| 13  | EZ1423     | 1    | Safety latch<br>EZ1422                |                               |
| 13  | EZ1599     | 1    | Safety latch<br>EZ1600                |                               |



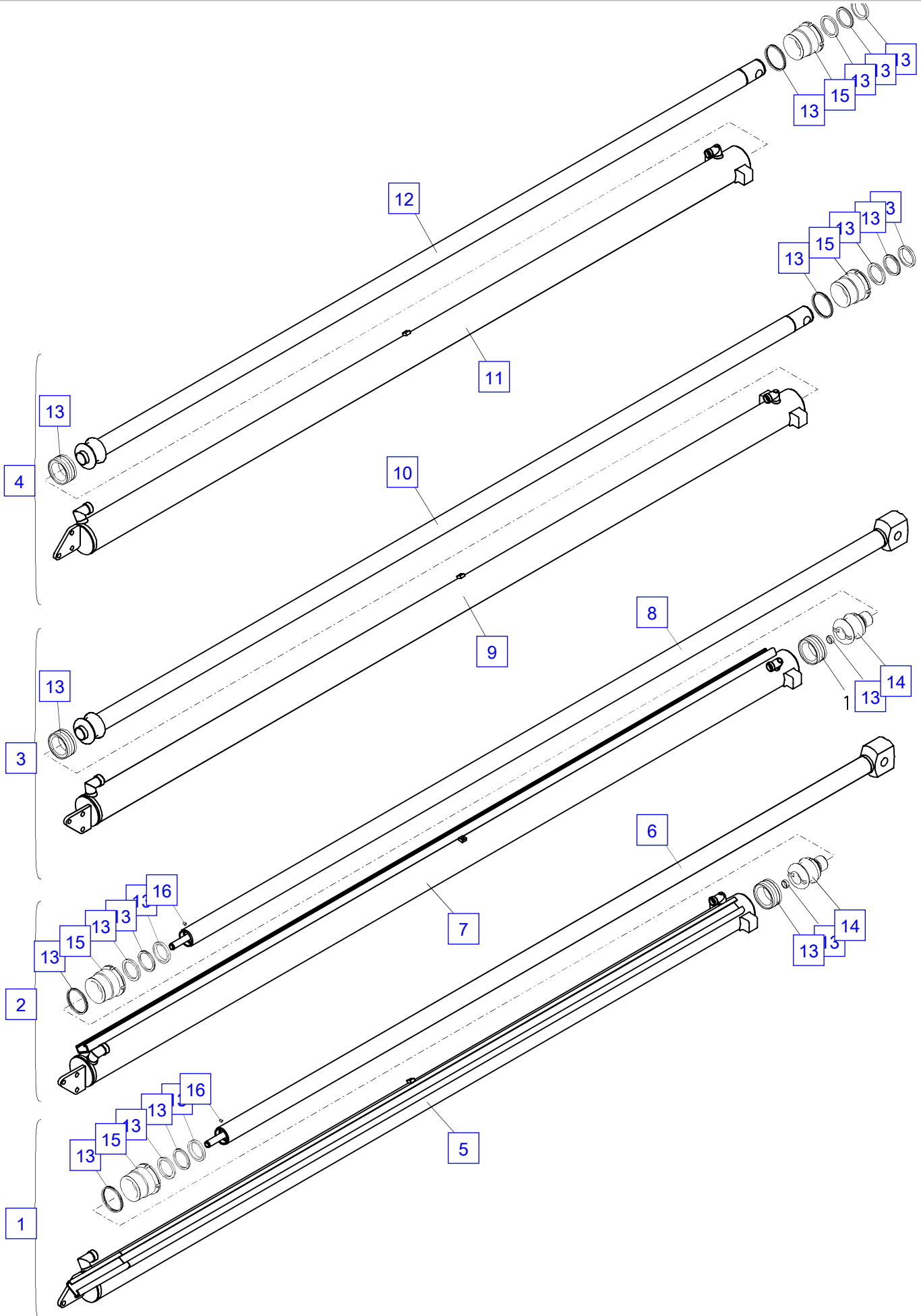
**Ausführung mit 5 hydraulischen Ausschüben**  
*Crane with 5 hydraulic boom extensions*  
Modele a 5 extensions hydrauliques



Extension boom cylinders 1-5

| No. | Spare part | Qty. | Description  | Dimension               |
|-----|------------|------|--|-------------------------|
| 1   | UP1452     | 1    | Extension boom ram-II<br>Type A,B                      |                         |
| 2   | UP1453     | 1    | Extension boom ram-3<br>Type C,D                       |                         |
| 3   | UP1454     | 1    | Extension boom ram<br>(Type B)<br>(Type C)<br>(Type D) |                         |
| 4   | UP2075     | 1    | Extension boom ram-1<br>Type A,                        |                         |
| 5   | HY1353     | 1    | Cylinder tube  | d060                    |
| 6   | HSK1219    | 1    | Piston rod   |                         |
| 7   | HY1354     | 1    | Cylinder tube  | d060                    |
| 8   | HSK1220    | 1    | Piston rod   | Cr                      |
| 9   | HY1355     | 1    | Cylinder tube  | d060                    |
| 10  | HSK1221    | 1    | Piston rod   | D040xL.2225 Dzyl.060 Cr |
| 11  | HY1841     | 1    | Cylinder tube  | d060                    |
| 12  | HSK1266    | 1    | Piston rod   | D040xL.2075 Dzyl.060 Cr |
| 13  | TD 528     | 4    | Seal kit   |                         |
| 14  | HK 300     | 2    | Piston   |                         |
| 15  | HV 370     | 4    | Cylinder nut   | M064x2.0 d040xL060      |
| 16  | ES 228     | 2    | Set screw  | M 6x6 DIN 913           |

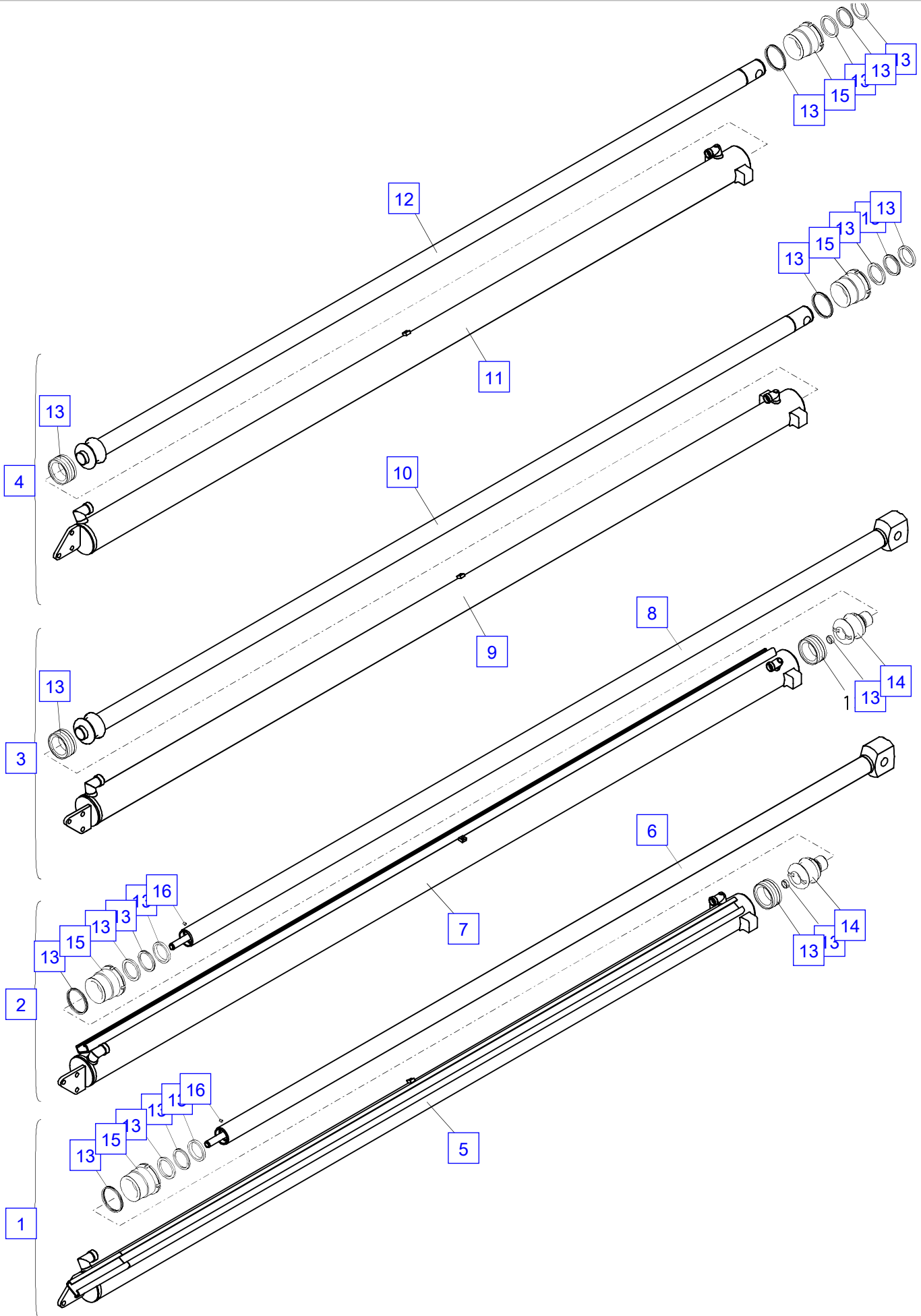
Extension boom cylinders 1-5



Extension boom cylinders 1-5

| No. | Spare part | Qty. | Description  | Dimension              |
|-----|------------|------|--|------------------------|
| 1   | UP1452     | 1    | Extension boom ram-II<br>(Type A)<br>(Type B)          |                        |
| 2   | UP1453A    | 1    | Extension boom ram<br>(Type C)<br>(Type D)             | Cr                     |
| 3   | UP1454A    | 1    | Extension boom ram<br>(Type B)<br>(Type C)<br>(Type D) | Cr                     |
| 4   | UP2075B    | 1    | Extension boom ram<br>(Type standard)<br>(Type A)      | Cr                     |
| 5   | HY1353     | 1    | Cylinder tube  | d060                   |
| 6   | HSK1219    | 1    | Piston rod   |                        |
| 7   | HY1354     | 1    | Cylinder tube  | d060                   |
| 8   | HSK1220    | 1    | Piston rod   | Cr                     |
| 9   | HY1355     | 1    | Cylinder tube  | d060                   |
| 10  | HSK1221    | 1    | Piston rod   | D040xL2225 Dzyl.060 Cr |
| 11  | HY1841     | 1    | Cylinder tube  | d060                   |
| 12  | HSK1266    | 1    | Piston rod   | D040xL2075 Dzyl.060 Cr |
| 13  | TD 528A    | 4    | Seal kit   |                        |
| 14  | HK 300A    | 2    | Piston   | D060xL083.0 M032x1.5   |
| 15  | HV 370A    | 4    | Cylinder nut   | M064x2.0 d040xL060     |
| 16  | ES1644     | 2    | Set screw  | M 6x6 DIN 914          |

Extension boom cylinders 1-5



Pipes-Boom extens.ram

| No. | Spare part | Qty. | Description        | Dimension             |
|-----|------------|------|--------------------|-----------------------|
| 1   | EV5144     | 1    | Load holding valve |                       |
| 2   | ES1157     | 2    | Screw              | M8x70 DIN 912         |
| 3   | HBS1020    | 2    | Spacer             | S0002.5 L0020.0 D0016 |
| 4   | EH4874     | 2    | Hose (H)           | NW 10x4800            |
| 4   | EH4888     | 2    | Pressure hose (F)  | NW 10x5650            |
| 5   | EA 183     | 5    | Fitting            | GE 12S R1/2"-ED       |
| 6   | EA 074     | 3    | Fitting            | GE 16S R1/2"-ED       |
| 7   | EA 496     | 1    | Fitting            | G 16 S                |
| 8   | HLR 8838   | 1    | Pipe               | D 16                  |
| 9   | HLR 8833   | 1    | Pipe               | D 16                  |
| 10  | HLR 8834   | 1    | Pipe               | D 12                  |
| 11  | HLR 8275   | 1    | Pipe               | D 16                  |
| 12  | HLR 8276   | 1    | Pipe               | D 12                  |
| 13  | HLR 8467   | 1    | Pipe               | D 16                  |
| 14  | HLR 8278   | 1    | Pipe               | D 12                  |



**Ausführung mit 3 hydraulischen Ausschüben**

Crane with 3 hydraulic boom extensions  
 Modèle a 3 extensions hydrauliques

**Schubzylinder 3**

Boom extension ram 3

Verin d'extension 3

**Schubzylinder 2**

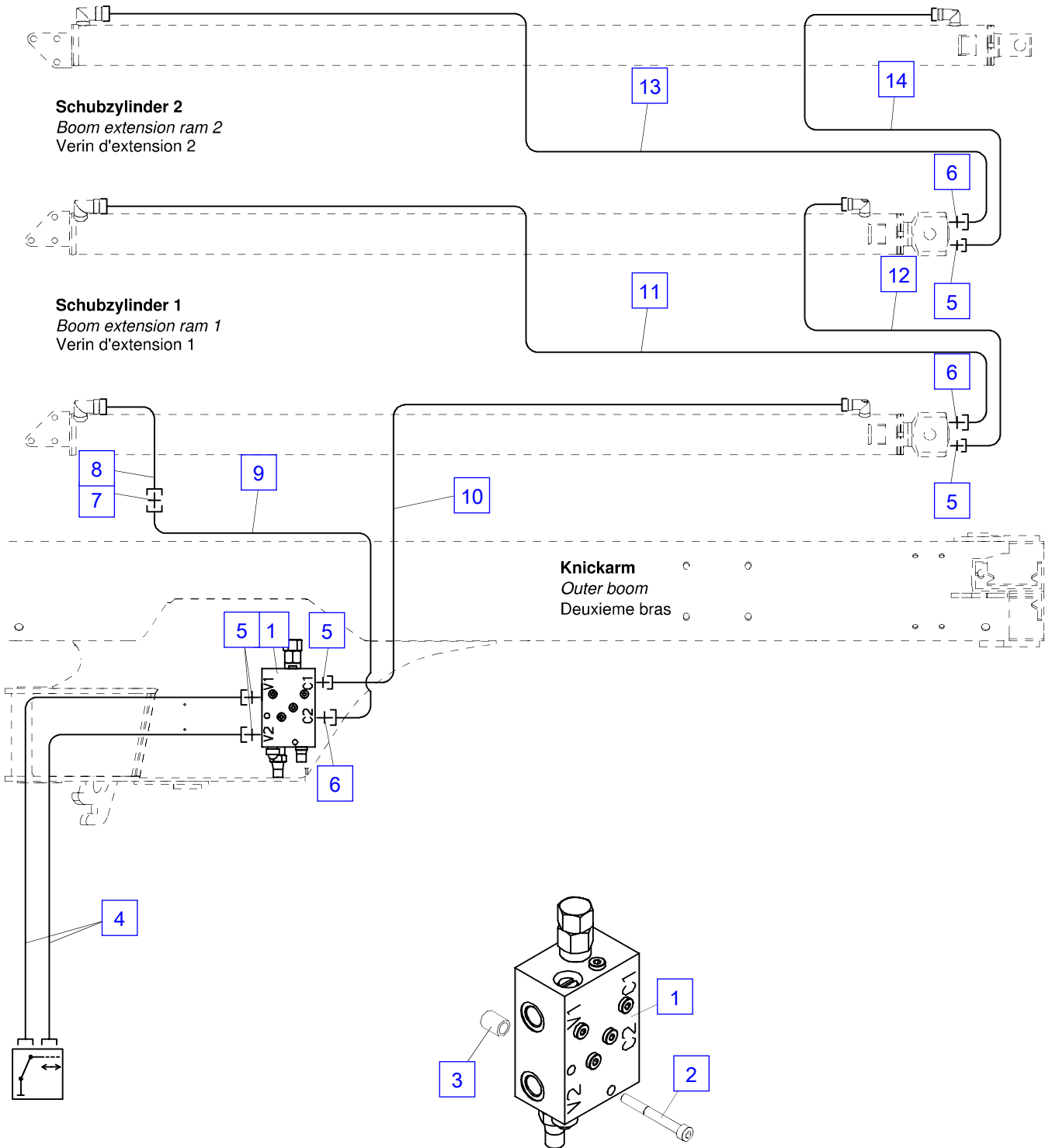
Boom extension ram 2

Verin d'extension 2

**Schubzylinder 1**

Boom extension ram 1

Verin d'extension 1



## Pipes-Boom extens.ram

| No. | Spare part | Qty. | Description        | Dimension             |
|-----|------------|------|--------------------|-----------------------|
| 1   | EV5144     | 1    | Load holding valve |                       |
| 2   | ES1157     | 2    | Screw              | M8x70 DIN 912         |
| 3   | HBS1020    | 2    | Spacer             | S0002.5 L0020.0 D0016 |
| 4   | EH4874     | 2    | Hose (H)           | NW 10x4800            |
| 4   | EH4888     | 2    | Pressure hose (F)  | NW 10x5650            |
| 5   | EA 183     | 6    | Fitting            | GE 12S R1/2"-ED       |
| 6   | EA 074     | 4    | Fitting            | GE 16S R1/2"-ED       |
| 7   | EA 496     | 1    | Fitting            | G 16 S                |
| 8   | HLR 8838   | 1    | Pipe               | D 16                  |
| 9   | HLR 8833   | 1    | Pipe               | D 16                  |
| 10  | HLR 8834   | 1    | Pipe               | D 12                  |
| 11  | HLR 8275   | 1    | Pipe               | D 16                  |
| 12  | HLR 8276   | 1    | Pipe               | D 12                  |
| 13  | HLR 8277   | 1    | Pipe               | D 16                  |
| 14  | HLR 8468   | 1    | Pipe               | D 12                  |
| 15  | HLR 8469   | 1    | Pipe               | D 16                  |
| 16  | HLR 8466   | 1    | Pipe               | D 12                  |

**Ausführung mit 4 hydraulischen Ausschüben**

*Crane with 4 hydraulic boom extensions*

*Modele a 4 extensions hydrauliques*

**Schubzylinder 4**

*Boom extension ram 4*

*Verin d'extension 4*

**Schubzylinder 3**

*Boom extension ram 3*

*Verin d'extension 3*

**Schubzylinder 2**

*Boom extension ram 2*

*Verin d'extension 2*

**Schubzylinder 1**

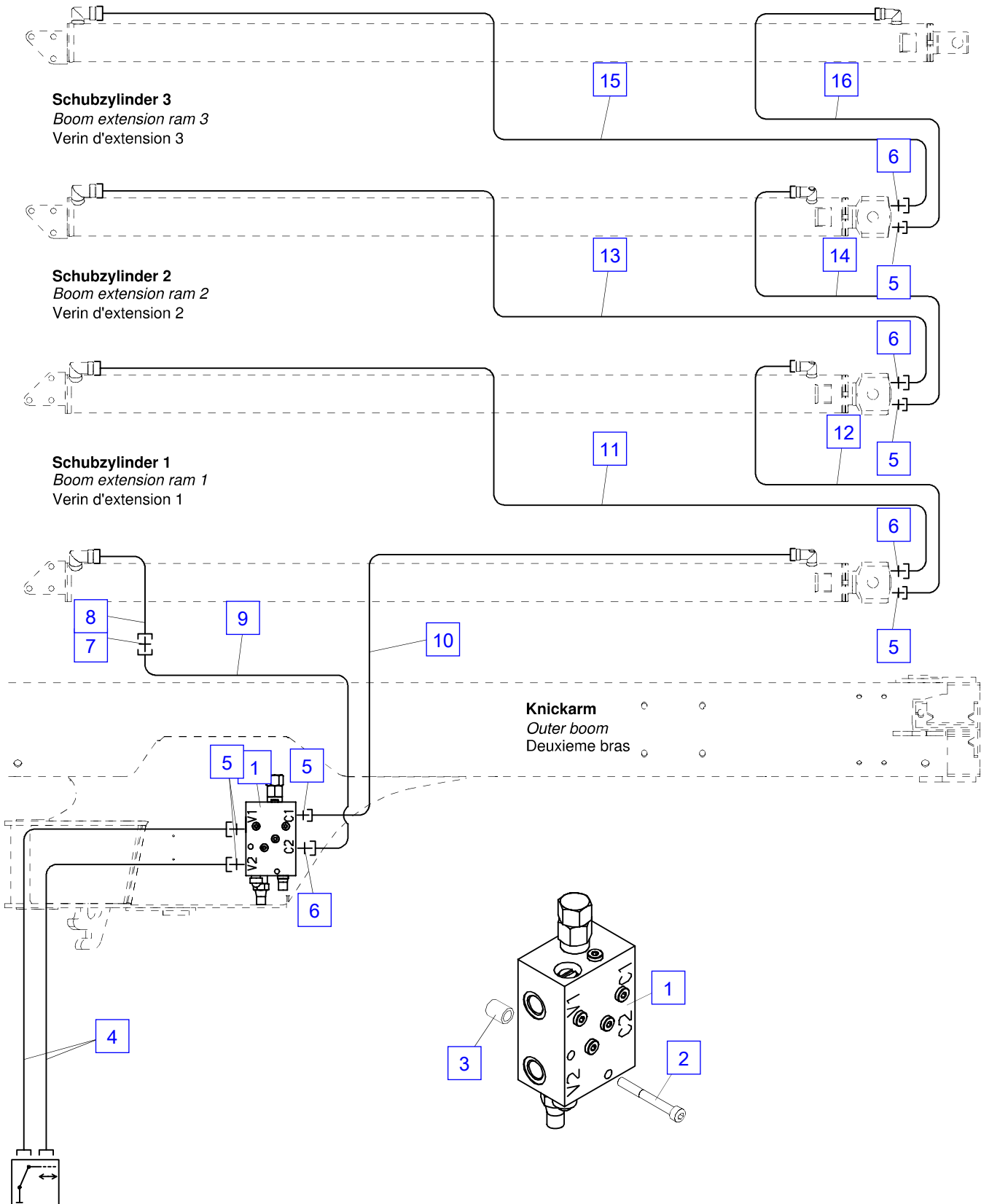
*Boom extension ram 1*

*Verin d'extension 1*

**Knickarm**

*Outer boom*

*Deuxieme bras*

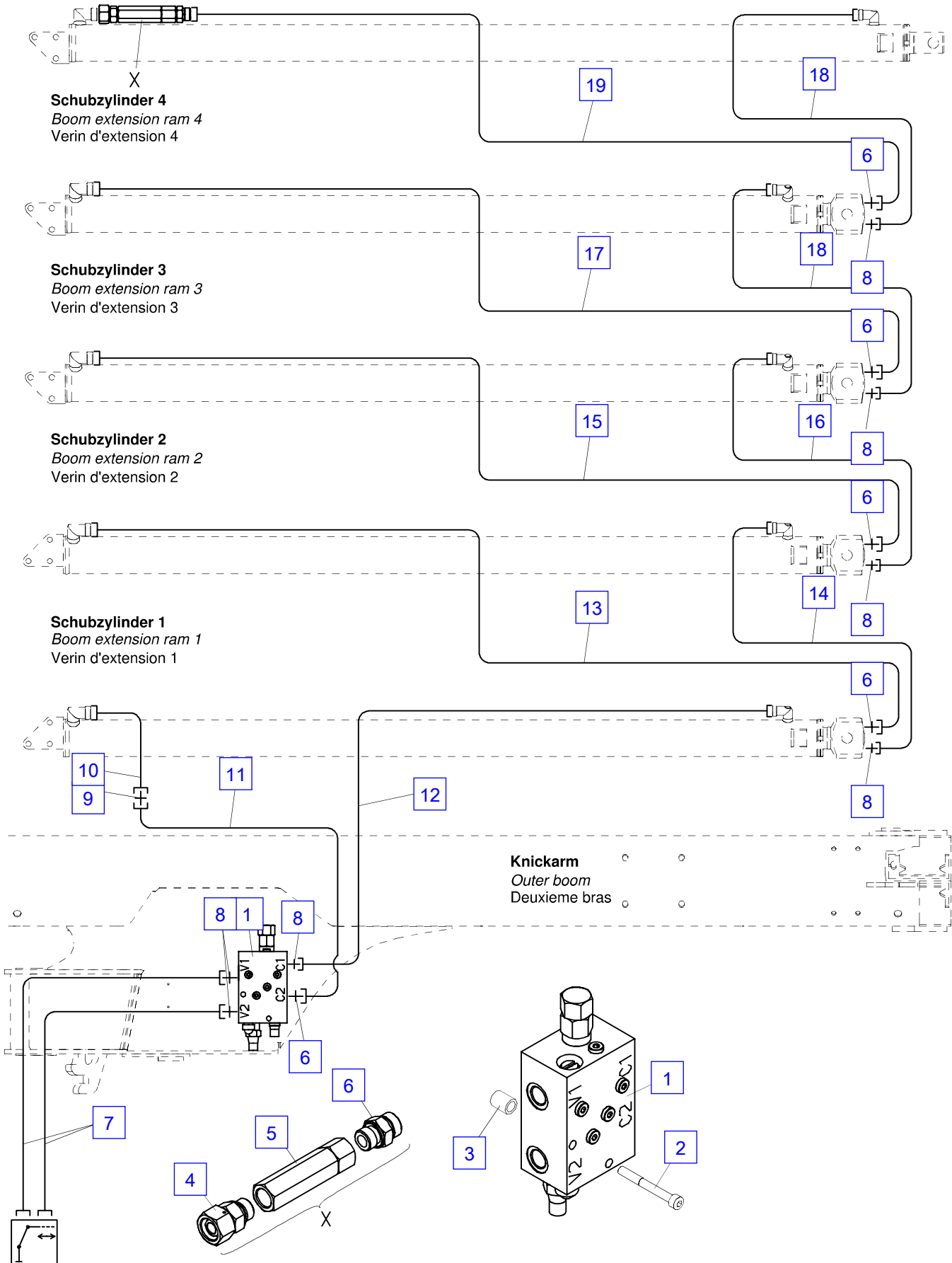


Pipes-Boom extens.ram

| No. | Spare part | Qty. | Description        | Dimension             |
|-----|------------|------|--------------------|-----------------------|
| 1   | EV5144     | 1    | Load holding valve |                       |
| 2   | ES1157     | 2    | Screw              | M8x70 DIN 912         |
| 3   | HBS1020    | 2    | Spacer             | S0002.5 L0020.0 D0016 |
| 4   | EA 181     | 1    | Fitting            | EGE 16S R1/2"-ED      |
| 5   | EV 363/040 | 1    | Pretension valve   | 40 bar                |
| 6   | EA 074     | 6    | Fitting            | GE 16S R1/2"-ED       |
| 7   | EH4874     | 2    | Hose (H)           | NW 10x4800            |
| 7   | EH4888     | 2    | Pressure hose (F)  | NW 10x5650            |
| 8   | EA 183     | 7    | Fitting            | GE 12S R1/2"-ED       |
| 9   | EA 496     | 1    | Fitting            | G 16 S                |
| 10  | HLR 8838   | 1    | Pipe               | D 16                  |
| 11  | HLR 8833   | 1    | Pipe               | D 16                  |
| 12  | HLR 8834   | 1    | Pipe               | D 12                  |
| 13  | HLR 8275   | 1    | Pipe               | D 16                  |
| 14  | HLR 8276   | 1    | Pipe               | D 12                  |
| 15  | HLR 8277   | 1    | Pipe               | D 16                  |
| 16  | HLR 8468   | 1    | Pipe               | D 12                  |
| 17  | HLR 8463   | 1    | Pipe               | D 16                  |
| 18  | HLR 8466   | 2    | Pipe               | D 12                  |
| 19  | HLR 8465   | 1    | Pipe               | D 16                  |

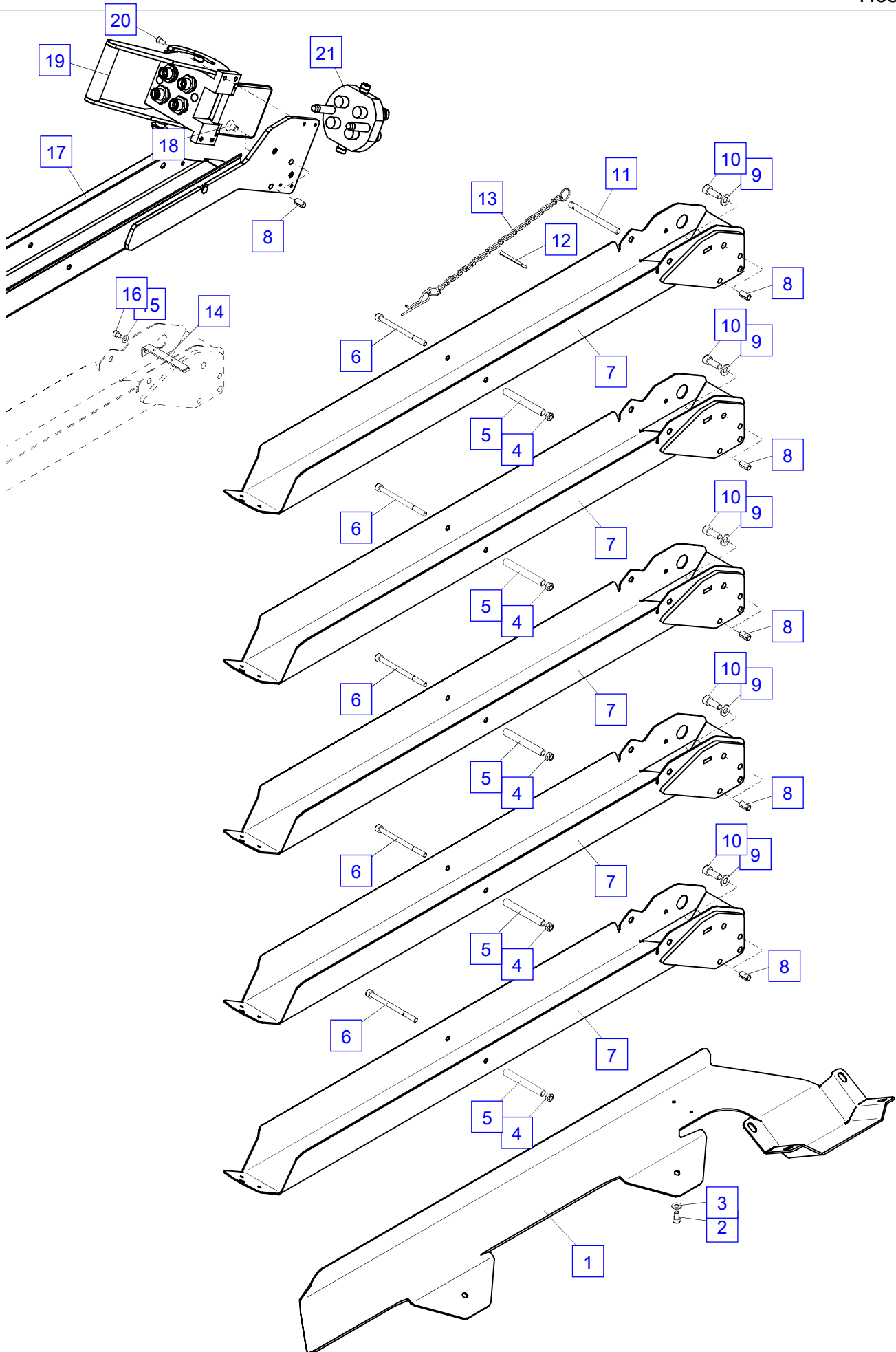
**Ausführung mit 5 hydraulischen Ausschüben**  
 Crane with 5 hydraulic boom extensions  
 Modele a 5 extensions hydrauliques

**Schubzylinder 5**  
 Boom extension ram 5  
 Verin d'extension 5



Hose trays

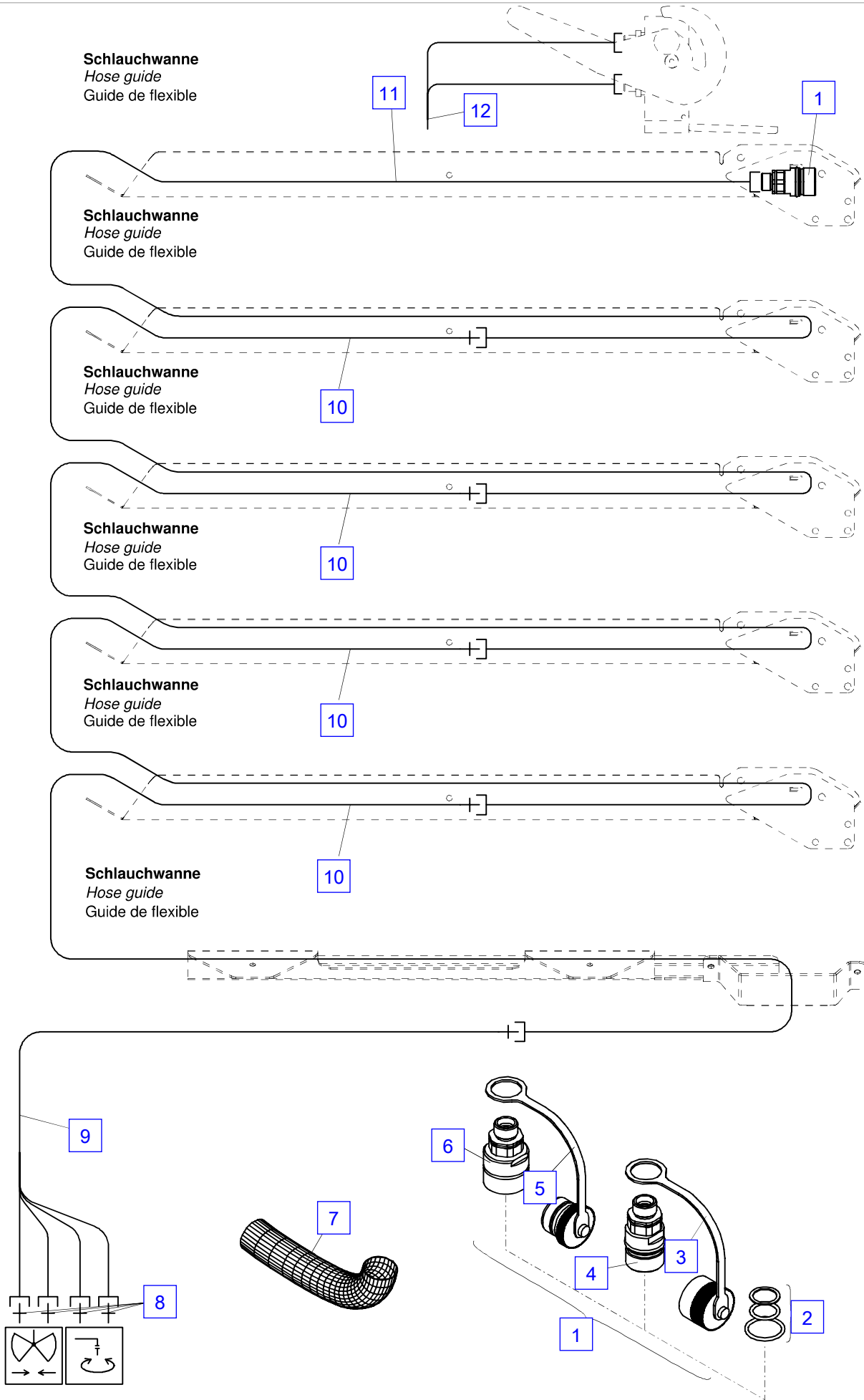
| No. | Spare part | Qty. | Description    | Dimension              |
|-----|------------|------|----------------|------------------------|
| 1   | HA3559     | 1    | Hose tray      |                        |
| 2   | ES 374     | 6    | Screw          | M 8x12 ISO4762- 8.8    |
| 3   | EK 003     | 6    | Washer         | D 8.4 ISO7089          |
| 4   | EM 026     | 5    | Nut            | M 8 DIN 985            |
| 5   | HBS2126    | 5    | Spacer tube    | D12.0xd9.0xL=92 mm     |
| 6   | ES1163     | 5    | Screw          | M 8x110 DIN 912        |
| 7   | HXE1154    | 5    | Hose tray      |                        |
| 8   | EQ 044     | 10   | Winding pin    | D 10x20 DIN1481        |
| 9   | EK 007     | 10   | Washer         | D 10.5 ISO7089         |
| 10  | ES 050     | 10   | Screw          | M 10x20 ISO4762-10.9   |
| 11  | HI2453     | 1    | Pin            | l=117 mm               |
| 12  | EQ 021     | 1    | Split pin      | D 5x50 ISO 1234        |
| 13  | HXS 032    | 1    | Safety chain   |                        |
| 14  | HA4298     | 4    | Bearer         | L0115.5xB0015xS003     |
| 15  | EK 043     | 4    | Washer         | D 6.4 DIN 134          |
| 16  | ES 414     | 4    | Screw          | M6x10 ISO4762 - 8.8    |
| 17  | HXE2817    | 1    | Hose tray      |                        |
| 18  | ES 314     | 2    | Screw          | M 10x16 ISO14581- 8.8  |
| 19  | EA2186     | 1    | Quick-coupling |                        |
| 20  | ES1150     | 4    | Screw          | M 6x12 - 8.8 - ISO4762 |
| 21  | EA2187     | 1    | Quick-coupling |                        |
|     | TD1734     | 1    | Seal kit       |                        |



Pipes-Hose guide

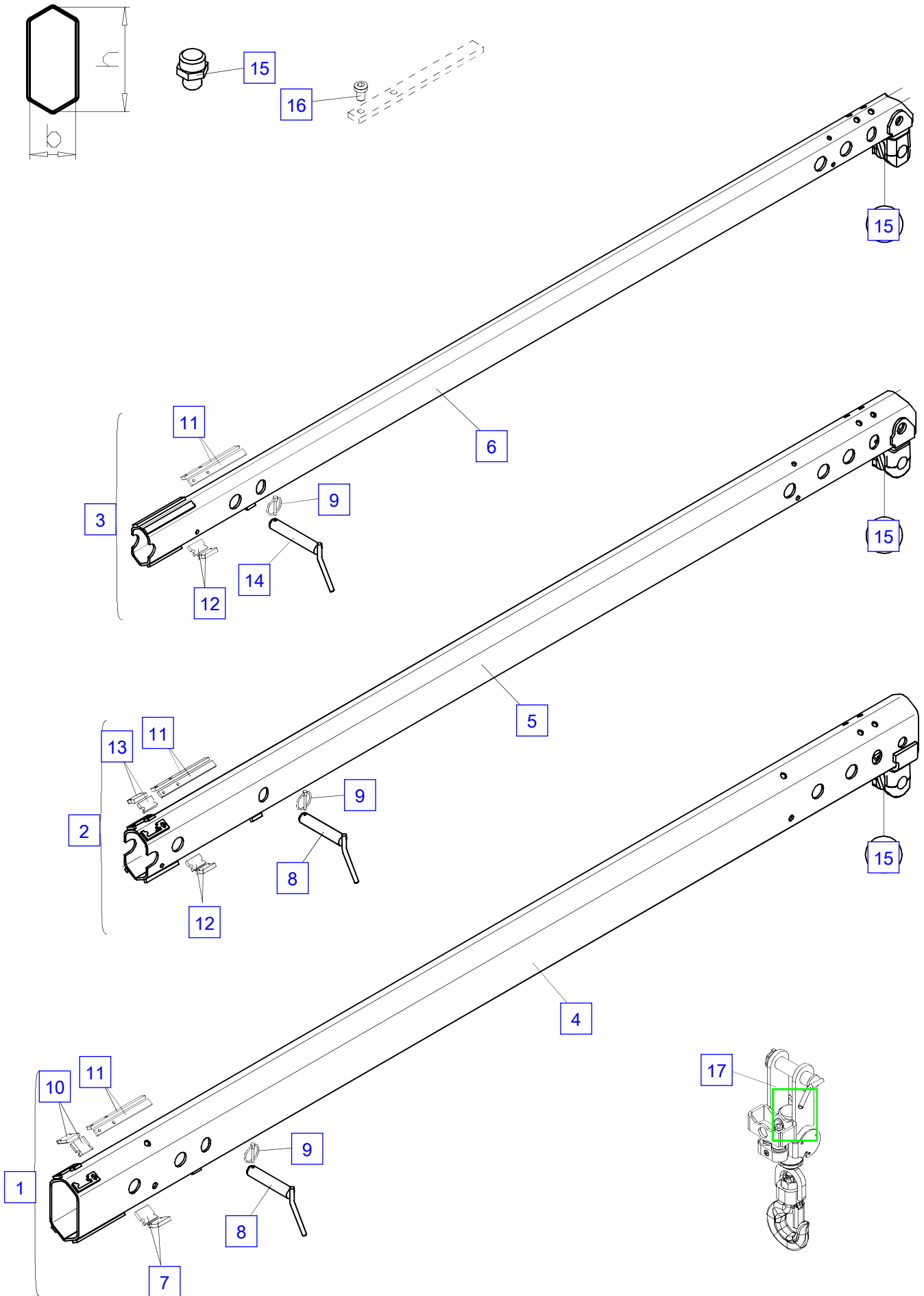
| No. | Spare part | Qty. | Description          | Dimension         |
|-----|------------|------|----------------------|-------------------|
| 1   | EA1113     | 2    | Quick coupling, cpl. | 12S NW 10 DIN2353 |
| 2   | TD 045     | 1    | Seal kit, cpl.       |                   |
| 3   | EK 112     | 1    | Dust cover (red)     | Rot               |
| 3   | EK 143     | 1    | Dust cover (black)   | Schwarz           |
| 4   | EA1266     | 1    | Quick-coupling       | 12 S              |
| 5   | EK 113     | 1    | Dust cover (red)     | Rot               |
| 5   | EK 144     | 1    | Dust cover (black)   | Schwarz           |
| 6   | EA1267     | 1    | Quick-coupling       | 12 S              |
| 7   | EH 617     | 0    | Protection hose      | NW 50x1400        |
| 7   | EH 619     | 0    | Protection hose      | NW 50x1500        |
| 7   | EH 768     | 0    | Protection hose      | NW 70x1500        |
| 8   | EA1646     | 4    | Fitting              | GE 12K R1/2" ED   |
|     | EA1645     | 1    | Circlip              | WEO 1/2"          |
| 9   | EH4882     | 4    | Pressure hose (H)    | NW 10x5700        |
| 9   | EH4889     | 4    | Pressure hose (F)    | NW 10x6550        |
| 10  | EH2283     | 16   | Hose                 | NW 10x2700        |
| 11  | EH4786     | 4    | Hose                 | NW 10x3350        |
| 12  | EH7271     | 4    | Hose                 | NW 10x3450        |





Man. boom extensions

| No. | Spare part | Qty. | Description   | Dimension                     |
|-----|------------|------|---|-------------------------------|
| 1   | KMT006ASA  | 1    | Extension V, cpl.   |                               |
| 2   | KMT007ASA  | 1    | Extension, cpl.   |                               |
| 3   | KMT008ASA  | 1    | Extension , cpl.  |                               |
| 4   | KMT006A-A  | 1    | Extension   | 155x81 mm                     |
| 5   | KMT007A-A  | 1    | Extension   | 123x64 mm                     |
| 6   | KMT008A-A  | 1    | Extension   | 93x47 mm                      |
| 7   | HT7633     | 2    | Guide block   | 9 mm                          |
| 7   | HT2299     | 2    | Guide block   | 7 mm                          |
| 7   | HT2221     | 2    | Guide block   | 10 mm                         |
| 8   | HIS 061    | 2    | Pin   | l=128 mm                      |
| 9   | EQ 042     | 3    | Bolt retainer   | D 5,0 DIN 11023 - 05x042 - ST |
| 10  | HF 829     | 2    | Guide block   | 8 mm                          |
| 10  | HF 830     | 2    | Guide block   | 9 mm                          |
| 10  | HF 831     | 2    | Guide block   | 10 mm                         |
| 10  | HF 832     | 2    | Guide block   | 11 mm                         |
| 10  | HF 833     | 2    | Guide block   | 12 mm                         |
| 11  | HTR2951    | 6    | Guide block   | 6 mm                          |
| 11  | HTR2952    | 6    | Guide block   | 8 mm                          |
| 11  | HTR2953    | 6    | Guide block   | 10 mm                         |
| 11  | HTR2982    | 6    | Guide block   | 1 mm                          |
| 12  | HT6723     | 4    | Guide block   | 7 mm                          |
| 12  | HT2218     | 4    | Guide block   | 8 mm                          |
| 12  | HT2219     | 4    | Guide block   | 10 mm                         |
| 13  | HF 824     | 2    | Guide block   | 8 mm                          |
| 13  | HF 825     | 2    | Guide block   | 9 mm                          |
| 13  | HF 826     | 2    | Guide block   | 10 mm                         |
| 13  | HF 827     | 2    | Guide block   | 11 mm                         |
| 13  | HF 828     | 2    | Guide block   | 12 mm                         |
| 14  | HIS 040    | 1    | Pin   | l= 144 mm                     |
| 15  | EA 005     | 3    | Grease nipple   | M10x1 DIN71412                |
| 16  | ES1082     | 0    | Screw   | M 8x12 DIN 7984 8.8           |
| 16  | ES1088     | 0    | Screw   | M 8x6 DIN 7984                |
| 16  | ES1089     | 0    | Screw   | M 8x10 DIN 7984 8.8           |
| 17  | KLK001A-A  | 1    | Pressure compensator<br>(look KMG00303A)<br>(page 030.0100) |                               |

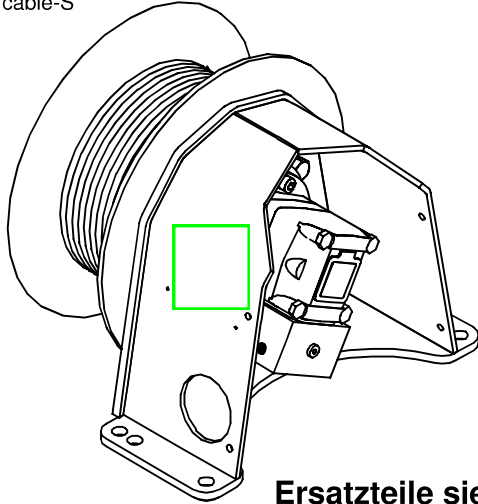


## Rope winch-S

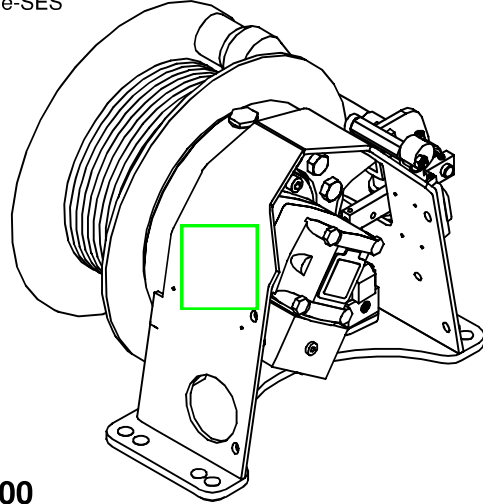
| No. | Spare part | Qty. | Description | Dimension       |
|-----|------------|------|-------------|-----------------|
| 1   | ES1395     | 4    | Screw       | M 16x40 DIN 912 |
| 2   | EK 041     | 4    | Washer      | D 16 DIN 134    |
| 3   | HA2275     | 1    | Bracket     |                 |
| 4   | EM 031     | 4    | Nut         | M 16 DIN 985    |
| 5   | EQ 066     | 1    | Spring pin  | DIN11024        |
| 6   | HXV 061    | 1    | Rope winder |                 |
| 7   | EZ 574     | 1    | Cotter      |                 |
| 8   | EZ 575     | 1    | Load rope   | D 8x41 m        |
| 8   | EZ 656     | 1    | Load rope   | D 8x52 m        |
| 8   | EZ 858     | 1    | Load rope   | D 8x33 m        |

**(—>100023340)**

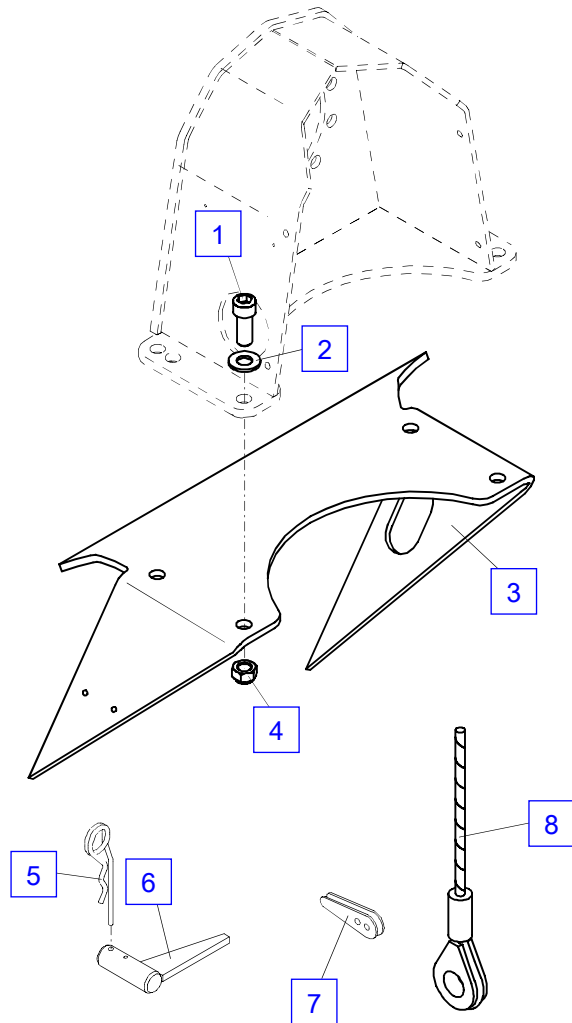
**Seilwinde-S**  
Rope winch-S  
Treuil a cable-S



**Seilwinde-SES**  
Rope winch-SES  
Treuil a cable-SES



**Ersatzteile siehe KBW0000**  
Spare parts look KBW0000  
Pieces de rechange voir KBW0000

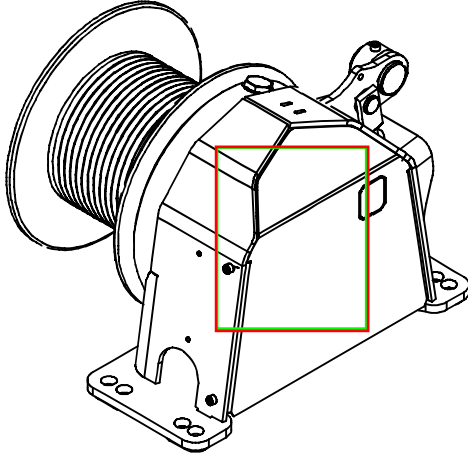


## Rope winch-S

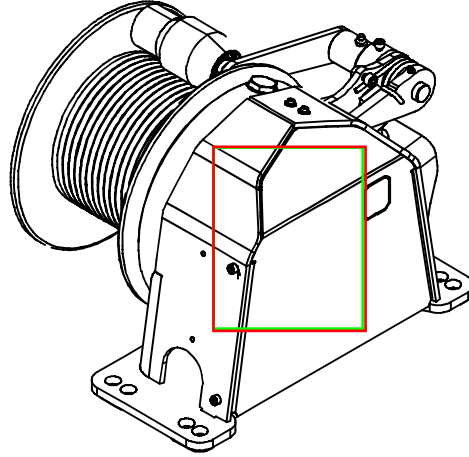
| No. | Spare part | Qty. | Description | Dimension            |
|-----|------------|------|-------------|----------------------|
| 1   | ES 188     | 4    | Screw       | M 16x45 DIN 933-10.9 |
| 2   | HA2275     | 1    | Bracket     |                      |
| 3   | EK 358     | 4    | Washer      | D 17 DIN6916         |
| 4   | EM 164     | 4    | Nut         | M 16 DIN 985         |
| 5   | EQ 066     | 1    | Spring pin  | DIN11024             |
| 6   | HXV 061    | 1    | Rope winder |                      |
| 7   | EZ 574     | 1    | Cotter      |                      |
| 8   | EZ 656     | 1    | Load rope   | D 8x52 m             |

**(100023341—>)**

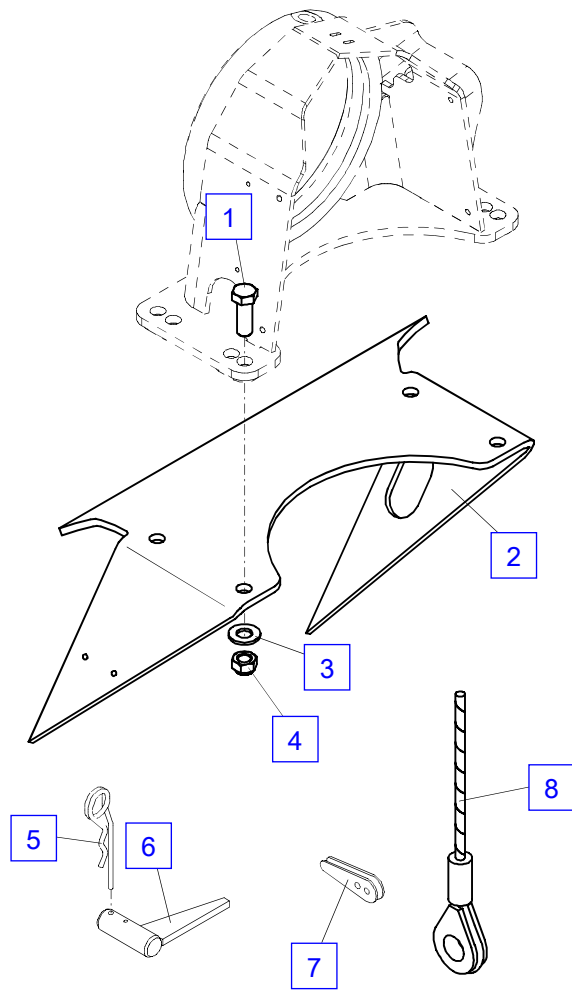
**Seilwinde-S**  
Rope winch-S  
Treuil a cable-S



**Seilwinde-SES**  
Rope winch-SES  
Treuil a cable-SES



**Ersatzteile siehe KBW005A**  
Spare parts look KBW005A  
Pieces de rechange voir KBW005A



## Pipes-Rope winch S

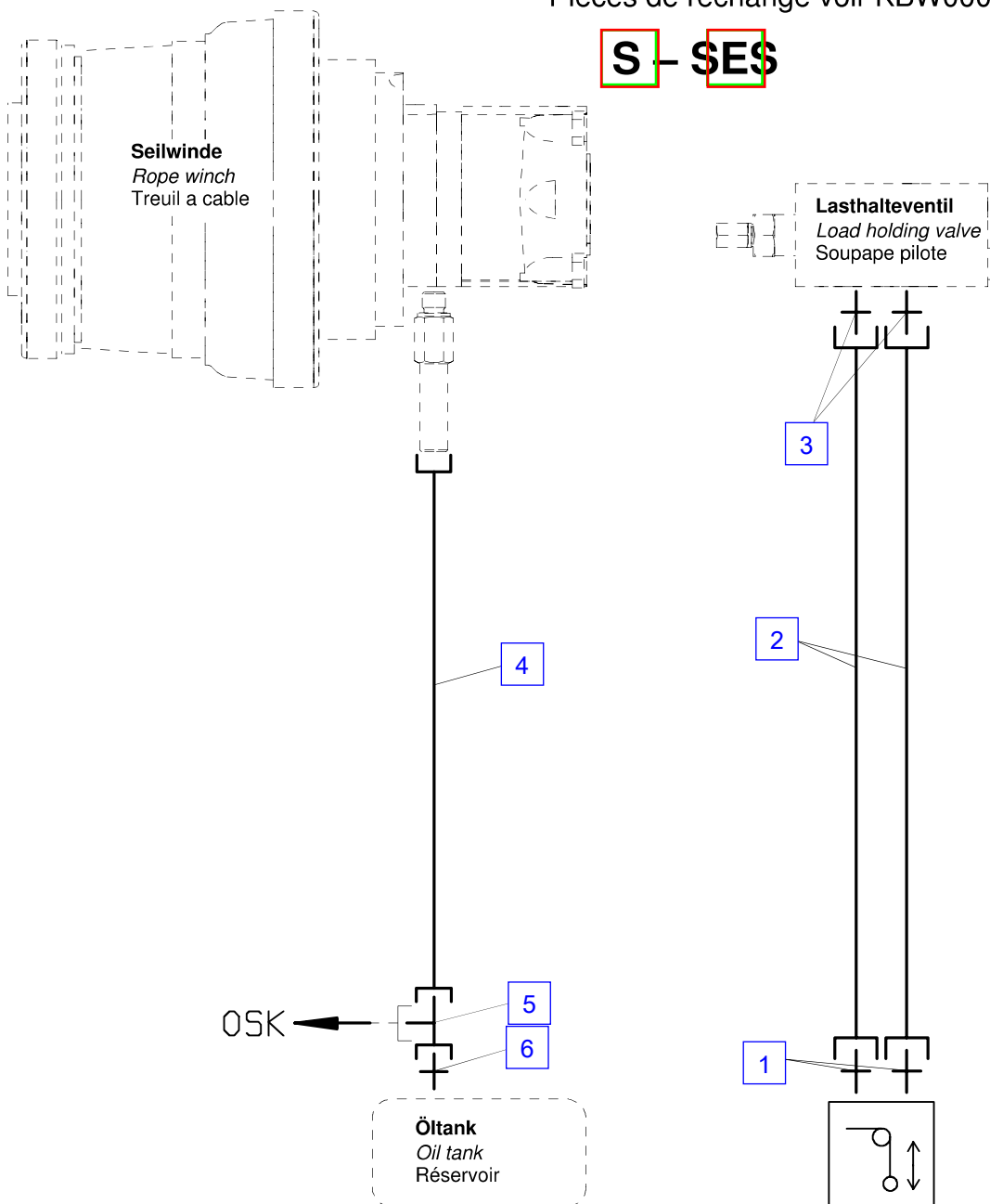
| No. | Spare part | Qty. | Description          | Dimension       |
|-----|------------|------|----------------------|-----------------|
| 1   | EA1646     | 2    | Fitting              | GE 12K R1/2" ED |
|     | EA1645     | 1    | Circlip              | WEO 1/2"        |
| 2   | EH4890     | 2    | Pressure hose<br>(F) | NW 10x6900      |
| 2   | EH4892     | 2    | Pressure hose<br>(H) | NW 10x6150      |
| 3   | EA 183     | 2    | Fitting              | GE 12S R1/2"-ED |
| 4   | EH4893     | 1    | Pressure hose<br>(F) | NW 8x7900       |
| 4   | EH5047     | 1    | Hose<br>(H)          | NW 10x9500      |
| 5   | EA 531     | 1    | L-Coupling           | EL 10 L         |
| 6   | EA 190     | 1    | Fitting              | GE 10L R3/8"-ED |



(—>100023340)

**Ersatzteile siehe KBW0000**  
*Spare parts look KBW0000*  
**Pieces de rechange voir KBW0000**

**S - SES**



## Pipes-Rope winch S

| No. | Spare part | Qty. | Description          | Dimension       |
|-----|------------|------|----------------------|-----------------|
| 1   | EA1646     | 2    | Fitting              | GE 12K R1/2" ED |
|     | EA1645     | 1    | Circlip              | WEO 1/2"        |
| 2   | EH4890     | 2    | Pressure hose<br>(F) | NW 10x6900      |
| 2   | EH4892     | 2    | Pressure hose<br>(H) | NW 10x6150      |
| 3   | EH4893     | 1    | Pressure hose<br>(F) | NW 8x7900       |
| 3   | EH5047     | 1    | Hose<br>(H)          | NW 10x9500      |
| 4   | EA 531     | 1    | L-Coupling           | EL 10 L         |
| 5   | EA 190     | 1    | Fitting              | GE 10L R3/8"-ED |

(100023341—>)

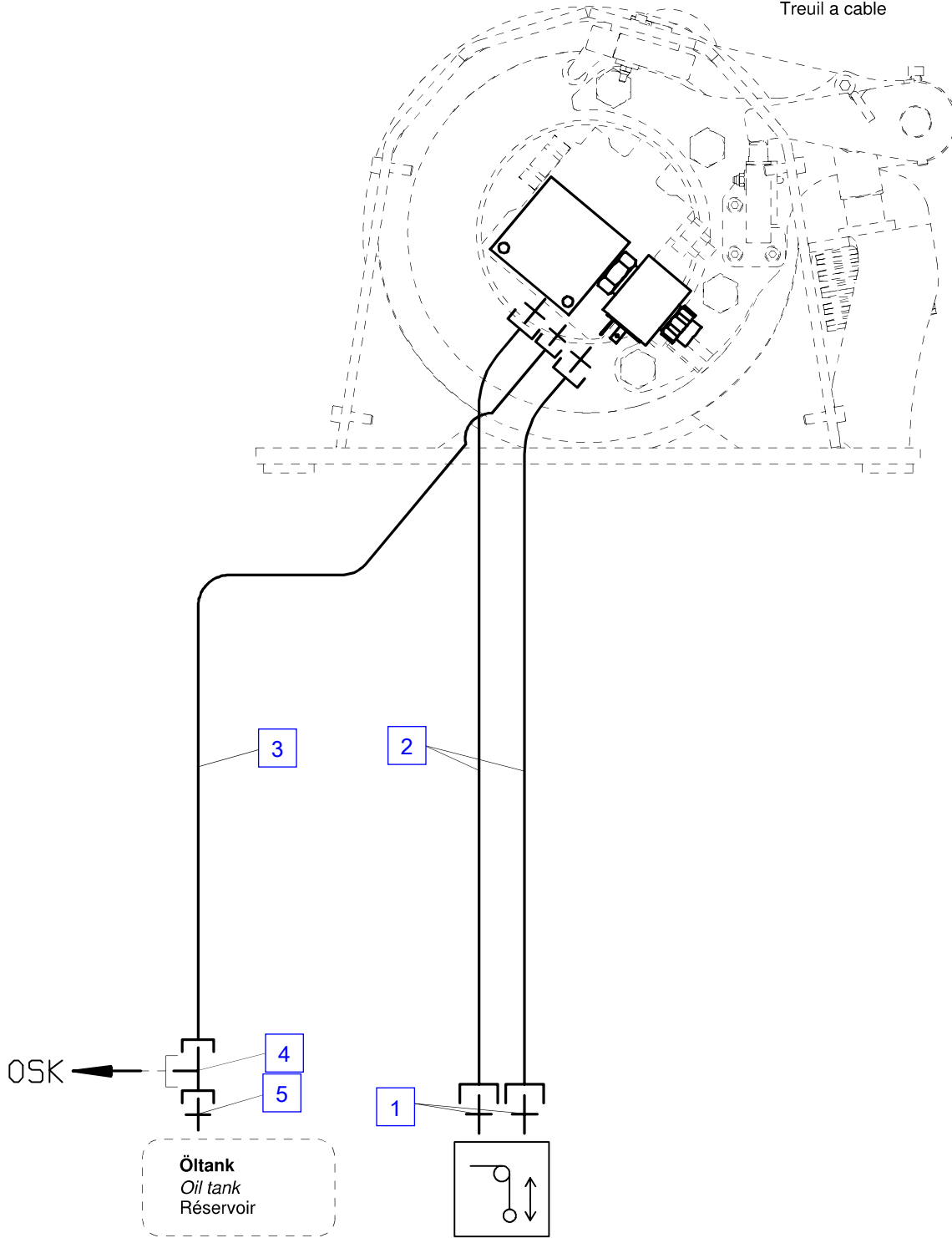
Ersatzteile siehe KBW005A

Spare parts look KBW005A

Pieces de rechange voir KBW005A

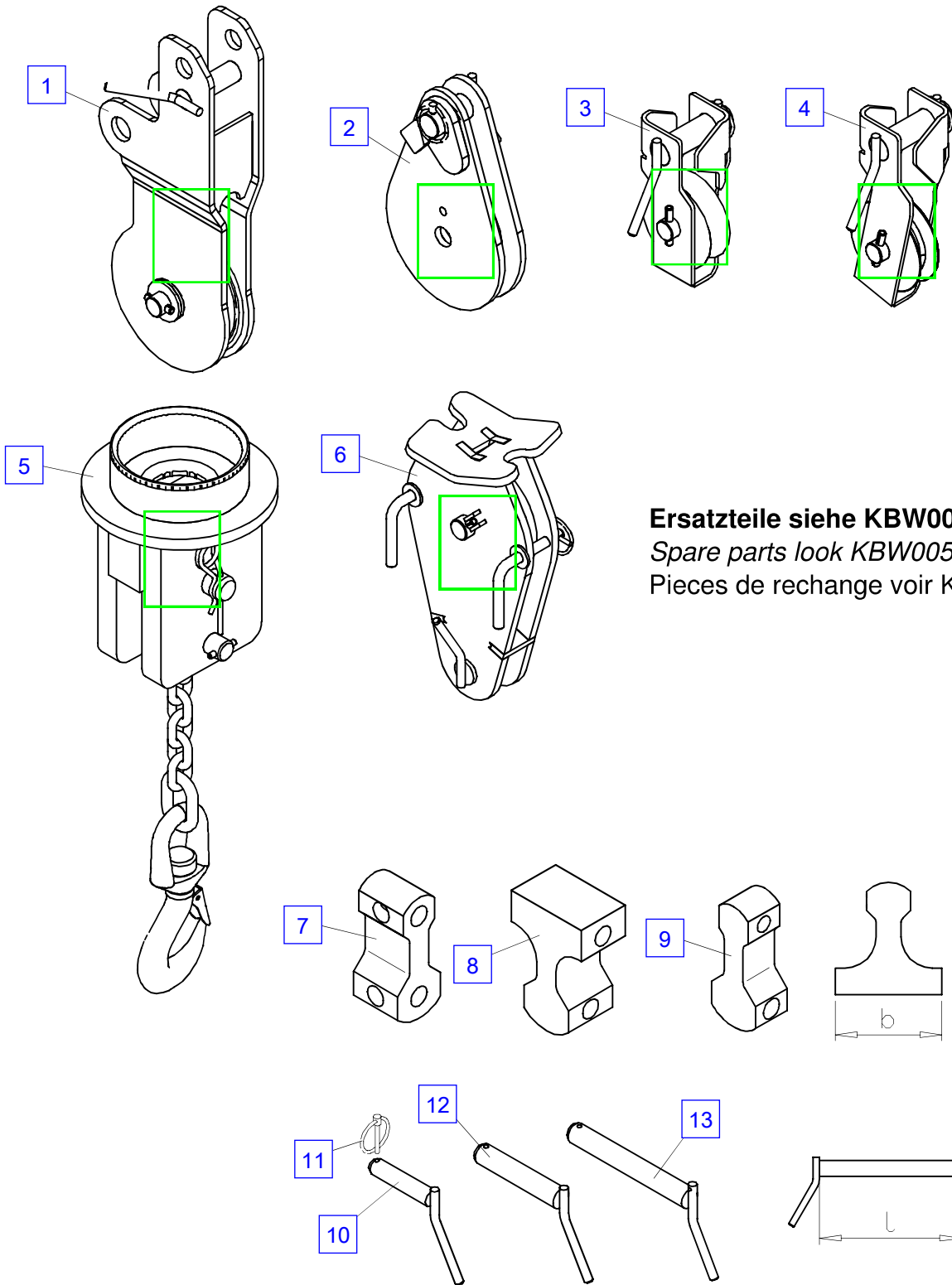
**S - SES**

Seilwinde  
Rope winch  
Treuil a cable



Guide pulley,trolley head

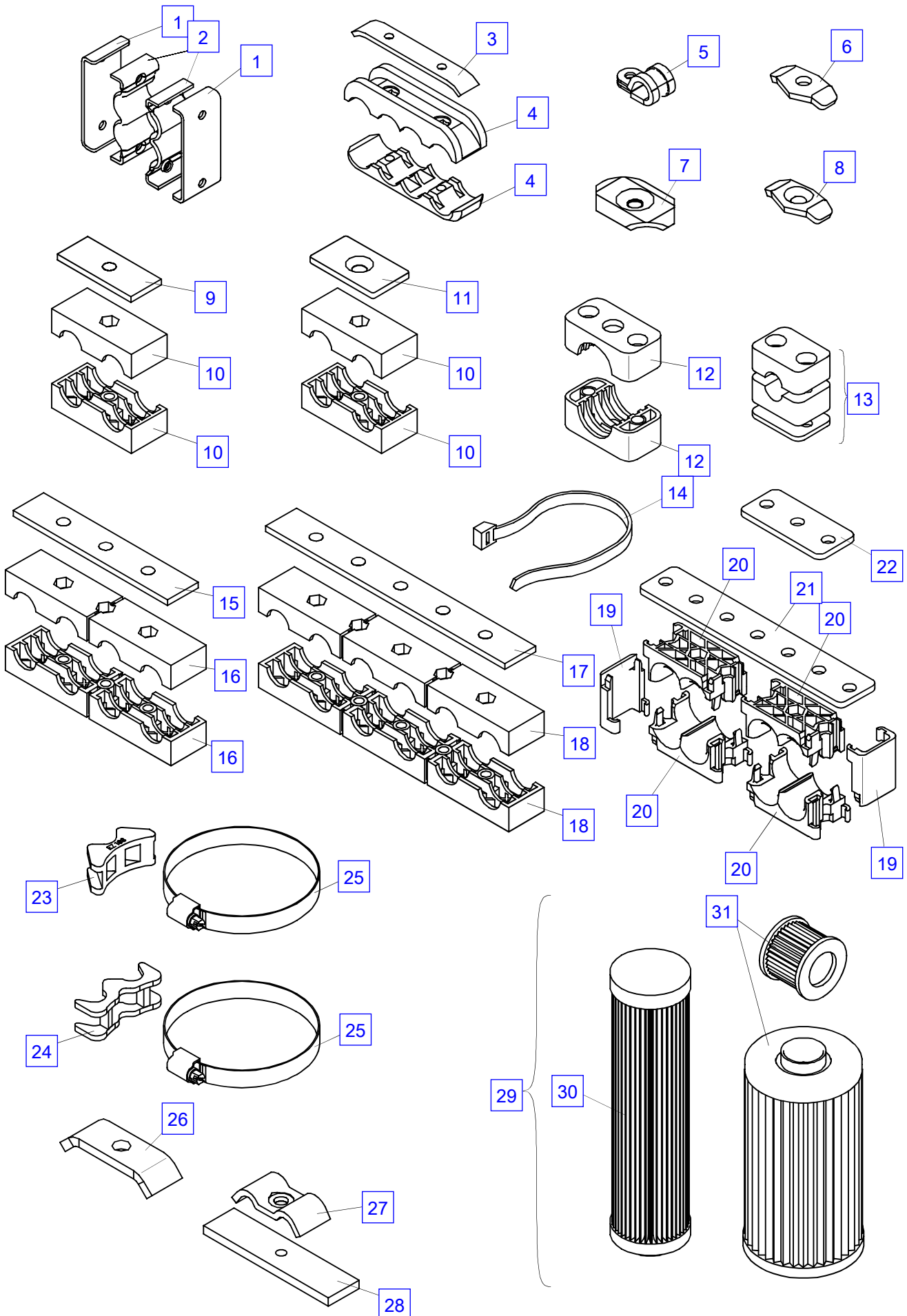
| No. | Spare part | Qty. | Description            | Dimension                     |
|-----|------------|------|------------------------|-------------------------------|
| 1   | KUR001-BA  | 1    | Pulley head, cpl.      |                               |
| 2   | KUR002-BA  | 1    | Pulley head, cpl.      |                               |
| 3   | KUR003-BA  | 1    | Inside pulley          | Dseil 12                      |
| 4   | KUR004-BA  | 1    | Reversing pulley, cpl. |                               |
| 5   | UL056A     | 1    | Load attachment, cpl.  |                               |
| 6   | UL085      | 1    | Hook block cpl.        | Dseil 08                      |
| 7   | HHK 051    | 1    | Fastening clip         | b=70 mm                       |
| 8   | HHK 326    | 1    | Fastening clip         | b=110 mm                      |
| 9   | HHK 341    | 1    | Fastening clip         | b=50 mm                       |
| 10  | HI 042     | 1    | Pin                    | l=92 mm                       |
| 11  | EQ 042     | 1    | Bolt retainer          | D 5,0 DIN 11023 - 05x042 - ST |
| 12  | HIS 061    | 1    | Pin                    | l=128 mm                      |
| 13  | HIS 073A   | 1    | Pin                    | l=188 mm                      |



**Ersatzteile siehe KBW005A**  
*Spare parts look KBW005A*  
**Pieces de rechange voir KBW005A**

Miscellaneous

| No. | Spare part | Qty. | Description          | Dimension               |
|-----|------------|------|----------------------|-------------------------|
| 1   | HA3041     | 0    | Clip                 | L0076.3xB0030xS002      |
| 2   | HA3022     | 0    | Clip                 |                         |
| 3   | HTR 810    | 0    | Plate                | L0093.0xB0015.0xS0003.3 |
| 4   | EZ 124     | 0    | Hose clip            | D 17x4                  |
| 5   | EK 216     | 0    | Pipe clip            | D 10                    |
| 5   | EK 217     | 0    | Pipe clip            | D 20                    |
| 5   | EK 221     | 0    | Pipe clip            | D 12                    |
| 5   | EK 256     | 0    | Pipe clip            | D 16                    |
| 5   | EK 351     | 0    | Pipe clip            | D 14                    |
| 5   | EK 352     | 0    | Pipe clip            | D 8                     |
| 6   | HX 007     | 0    | Pipe clip            |                         |
| 7   | HX 611     | 0    | Clip                 | L0058.2xB0039.1 xS003.0 |
| 8   | HX 416     | 0    | Pipe clip            |                         |
| 9   | HX 335     | 0    | Stiffening plate     |                         |
| 10  | EZ 257     | 0    | Hose clip            | D 19-22                 |
| 10  | EZ 259     | 0    | Hose clip            | D 15-18                 |
| 11  | HX 599     | 0    | Plate                |                         |
| 12  | EZ 502     | 0    | Hose clip            | D 28                    |
| 13  | EZ 306     | 0    | Pipe clip            | D 14                    |
| 14  | EK 084     | 0    | Mounting band        | l=360x7.5               |
| 14  | EK 085     | 0    | Cable tie            | l=370x7,6               |
| 14  | EK 165     | 0    | Cable tie            | l=215x4.8               |
| 15  | HX 337     | 0    | Stiffening plate     | L0126xB0025xS004        |
| 16  | EZ 256     | 0    | Hose clip            | D 19-21                 |
| 16  | EZ 258     | 0    | Hose clip            | D 15-18                 |
| 17  | HX 336     | 0    | Stiffening plate     | S0004 B0025 L0195       |
| 18  | EZ 186     | 0    | Hose clip            | D 19-21                 |
| 18  | EZ 223     | 0    | Hose clip            | D 15-18                 |
| 19  | EZ1718     | 0    | Stop plate           |                         |
| 20  | EZ1589     | 0    | Hose clip            | NW 10                   |
| 21  | HX 965     | 0    | Fastening plate      | L0166.0 B0030 S0004     |
| 22  | HX 963     | 0    | Fastening plate      | L0066xB0030xS004        |
| 23  | EZ 188     | 0    | Pipe clip            |                         |
| 24  | EZ 272     | 0    | Pipe clip            |                         |
| 25  | EQ 007     | 0    | Hose clamp           | D 110-130               |
| 25  | EQ 020     | 0    | Hose clamp           | D 130-150               |
| 25  | EQ 091     | 0    | Hose clamp           | D 150-170               |
| 25  | EQ 099     | 0    | Circlip              | D 90-110                |
| 25  | EQ 103     | 0    | Hose clamp           | D170-190                |
| 25  | EQ 107     | 0    | Hose clamp           | D 70-90                 |
| 25  | EQ 271     | 0    | Hose clamp           | D180-200                |
| 25  | EQ 276     | 0    | Hose clamp           | D280-320                |
| 25  | EQ 302     | 0    | Hose clamp           | D230-250                |
| 26  | HX 058     | 0    | Pipe clip            | L0076xB0025xS006        |
| 27  | HX 448     | 0    | Pipe clip            | L0070xB0025xS004        |
| 28  | HTR1231    | 0    | Plate                | L0102xB0025xS006        |
| 29  | BZ204S     | 1    | Filter element, cpl. |                         |
| 30  | EA1392     | 1    | Filter element       |                         |
| 31  | EA1412     | 1    | Filter element       | 80 l/min                |

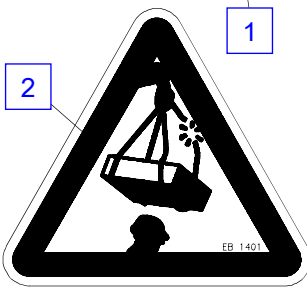


## Decals

| No. | Spare part | Qty. | Description              | Dimension  |
|-----|------------|------|--------------------------|------------|
| 1   | EB7986     | 2    | Company decal -Palfinger | 930x117 mm |
| 2   | EB1401     | 2    | Danger sign              | h=153 mm   |
| 3   | EB3682     | 2    | Company decal            |            |
| 4   | EB3262     | 2    | Capacity diagram         | PK 7501    |
| 5   | EB1846     | 1    | Decal                    |            |
| 6   | EB1826     | 2    | Symbol sign              |            |
| 7   | EB1279     | 2    | Folding arrow            |            |
| 8   | EB4589     | 2    | Company decal            |            |
| 9   | EB4590     | 2    | Capacity diagram         | PK 8501    |
| 10  | EB1115     | 1    | Sign                     |            |
| 11  | EB1018     | 2    | Sign                     |            |
| 12  | EB 754     | 1    | Decal                    |            |
| 15  | EB4182     | 1    | Decal                    |            |
| 16  | EB4636     | 1    | Symbol sign              |            |

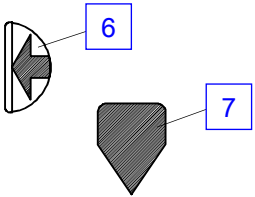
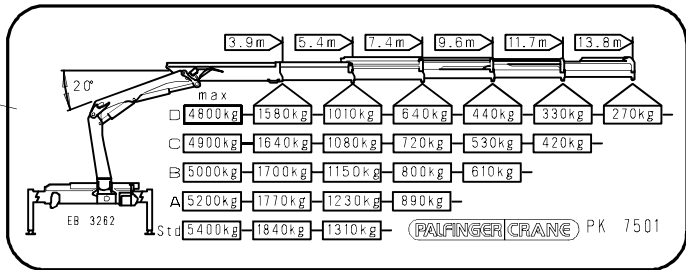
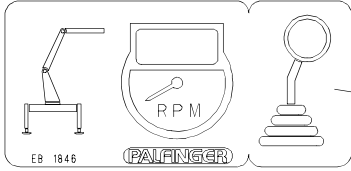


# PALFINGER CRANE



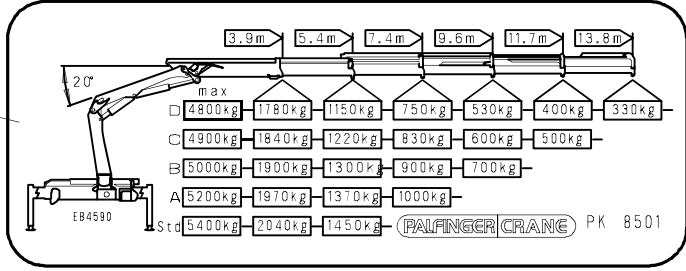
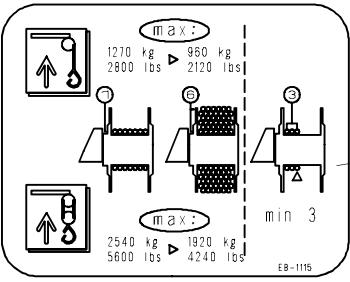
## PK 7501

Performance

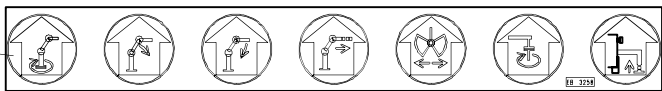


## PK 8501

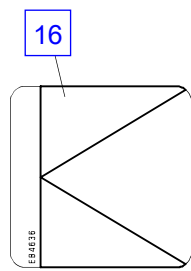
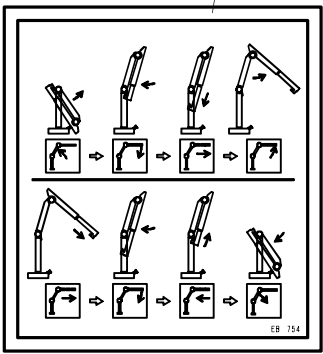
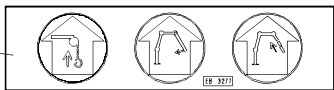
Performance



max. 1200 kg

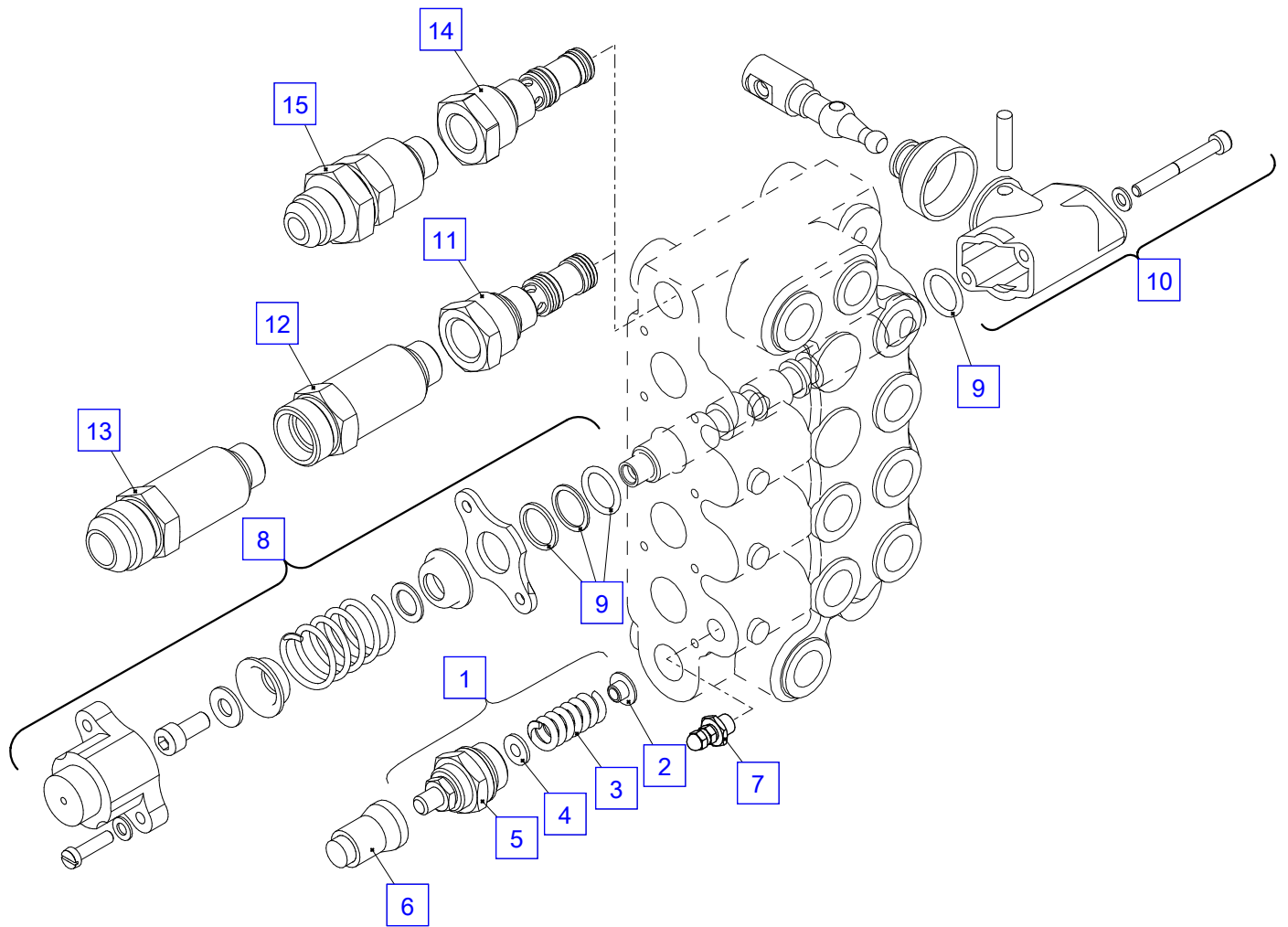


**H**



Control valve VDM07

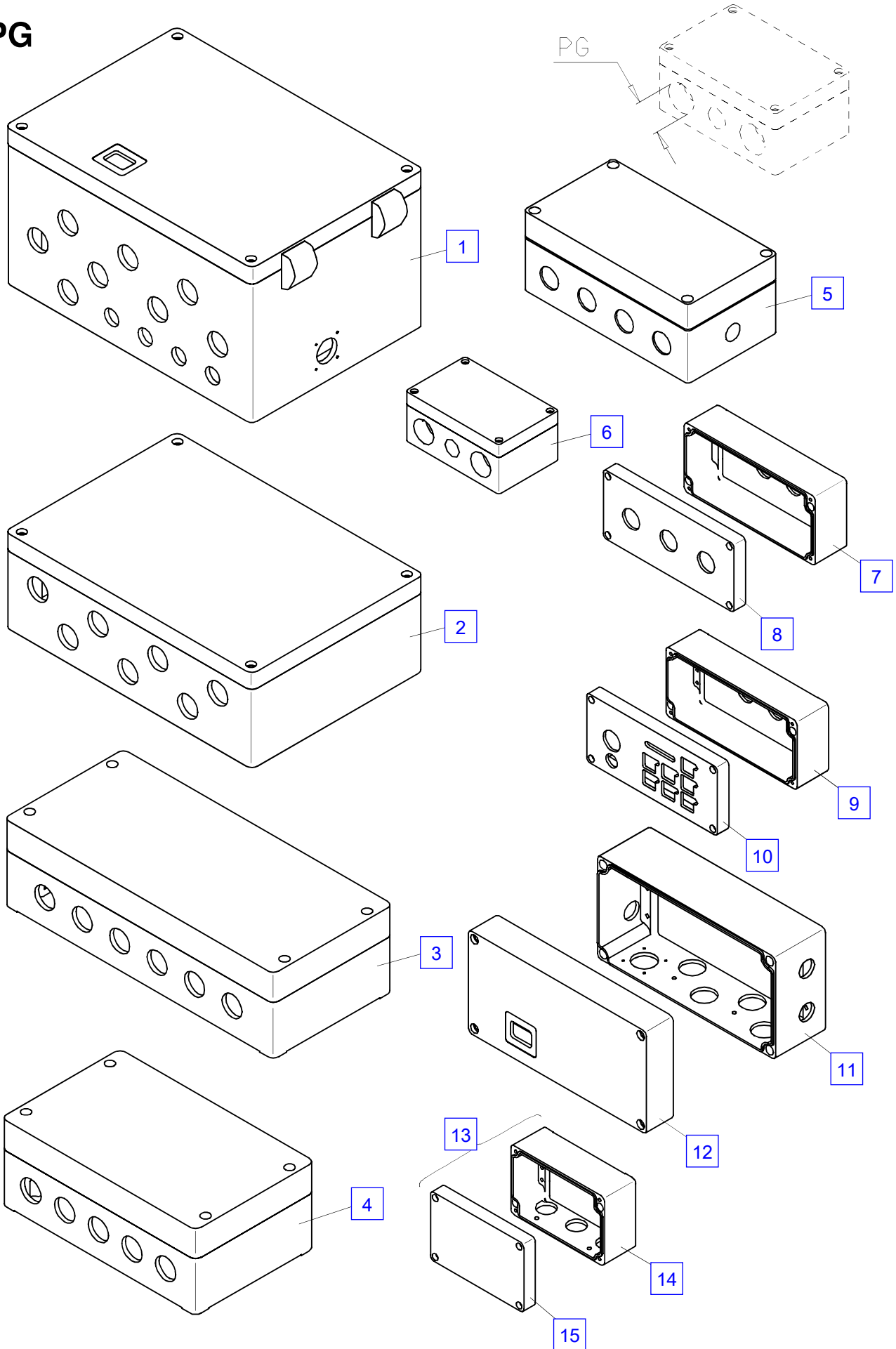
| No. | Spare part | Qty. | Description  | Dimension           |
|-----|------------|------|--|---------------------|
| 1   | EV 990     | 1    | Main relief valve, cpl.                              |                     |
| 2   | EK 279     | 1    | Bushing  |                     |
| 3   | EF 077     | 1    | Pressure spring                                      |                     |
| 4   | EK 278     | 1    | Washer   |                     |
| 5   | EV 989     | 1    | Valve housing  |                     |
| 6   | EK 715A    | 1    | Sealing cap  |                     |
| 7   | EV5719A    | 1    | Port relief valve                                    | 30-70 bar           |
|     | EK4283     | 1    | Cape, blue   |                     |
| 8   | EZ9426     | 1    | Spring housing, cpl.<br>(sans montage en opposition) |                     |
| 8   | EZ2148     | 1    | Spring housing, cpl.<br>(avec montage en opposition) |                     |
| 9   | TD1605     | 1    | Seal kit   |                     |
| 10  | EZ2146     | 1    | Lever support, cpl.                                  |                     |
| 11  | EV1778     | 1    | High pressure carry over port                        | M 18x1,5 - M 18x1,5 |
| 12  | UV148A     | 1    | Check valve  | M 18x1.5            |
| 13  | EV2083     | 1    | Check valve<br>Type JI                               | M18x1.5             |
| 14  | EV1021     | 1    | High pressure carry over port                        | M 18x1.5 - 3/8"     |
| 15  | UV301JI    | 1    | Check valve<br>Type JI                               | 3/8"                |



## Housing - PG

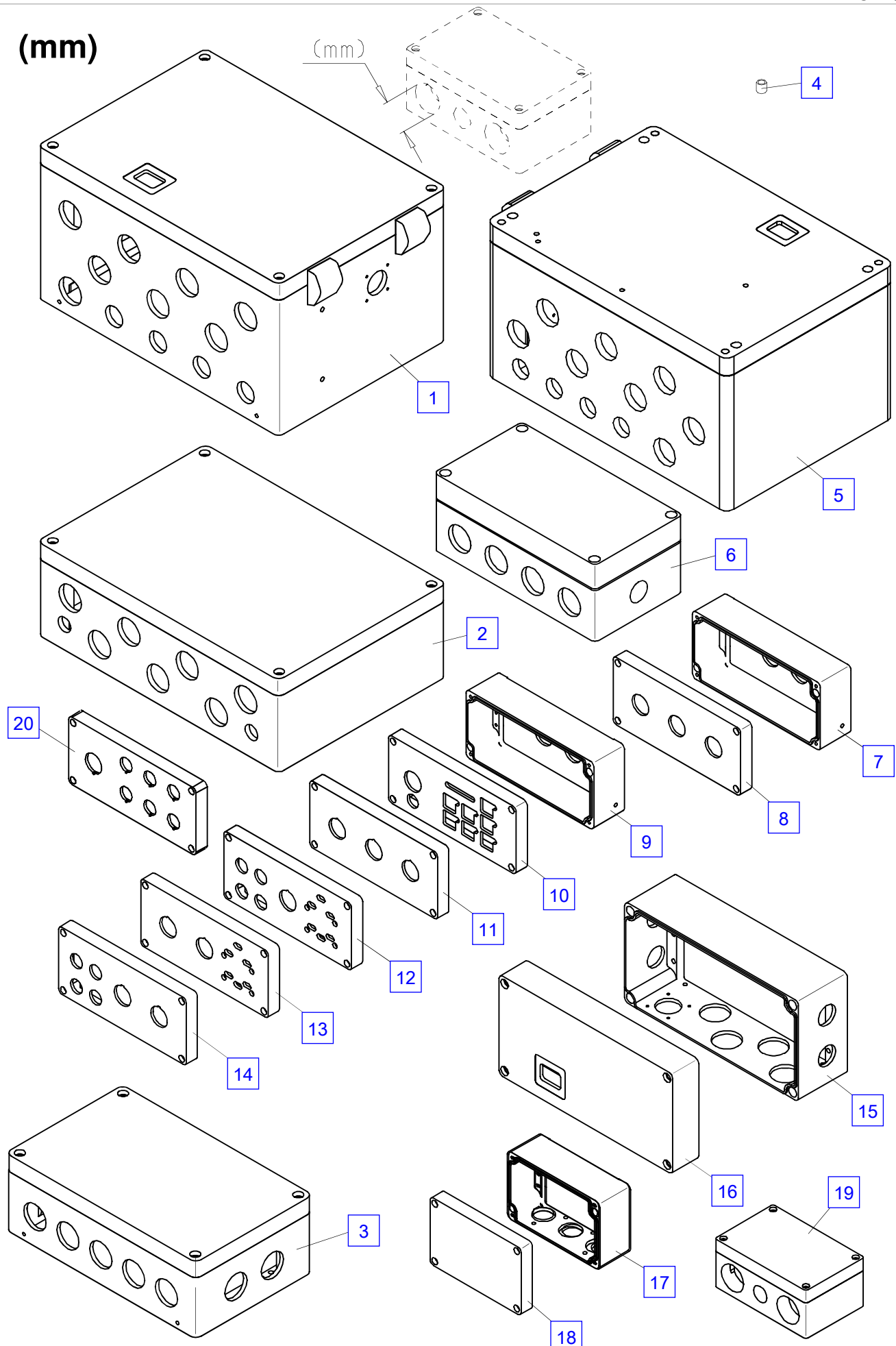
| No. | Spare part | Qty. | Description    | Dimension   |
|-----|------------|------|----------------|-------------|
| 1   | EEA2842    | 1    | Connection box | 330x230x180 |
| 2   | EEA 788    | 1    | Connection box | 330x230x110 |
| 3   | HEEA 200   | 1    | Connection box | 360x160x90  |
| 4   | EEA2695    | 1    | Connection box | 260x160x100 |
| 5   | EEA1691    | 1    | Connection box | 220x120x91  |
| 6   | EEA 928    | 1    | Connection box | 125x80x57   |
| 7   | EEA2891    | 1    | Base           |             |
| 8   | EEA2892    | 1    | Cover<br>(PVC) | 175x80x15   |
| 9   | EEA2707    | 1    | Base           | PG13.5      |
| 10  | EEA2706    | 1    | Cover          |             |
| 11  | EEA2703    | 1    | Base           |             |
| 12  | EEA2702    | 1    | Cover          |             |
| 13  | EEA1695    | 1    | Connection box | 125x80x57   |
| 14  | EEA2705    | 1    | Base           |             |
| 15  | EEA2704    | 1    | Cover          |             |

**PG**



Housing - (mm) 1

| No. | Spare part | Qty. | Description                          | Dimension      |
|-----|------------|------|--------------------------------------|----------------|
| 1   | EEA3696    | 1    | Connection box 4xM 25x1.5+8xM 32x1.5 | 330x230x180 mm |
|     | ED2131     | 1    | Sealing profile                      |                |
| 2   | EEA3686    | 1    | Connection box 7xM 20x1.5+9xM 32x1.5 | 330x230x110 mm |
|     | ES3569     | 4    | Screw                                | M 6x35 ISO4762 |
|     | ES3567     | 4    | Screw                                | M 6x25 ISO4762 |
|     | ES3568     | 4    | Screw                                | M 6x30 ISO4762 |
| 3   | EEA3687    | 1    | Connection box                       | 260x160x100    |
|     | ES3569     | 4    | Screw                                | M 6x35 ISO4762 |
|     | ES3567     | 4    | Screw                                | M 6x25 ISO4762 |
|     | ES3568     | 4    | Screw                                | M 6x30 ISO4762 |
| 4   | EEA2887    | 4    | Spacer (NK)                          | l=10 mm        |
| 5   | EEA3547    | 1    | Connection box 4xM 25x1.5+8xM 32x1.5 | 330x230x180 mm |
| 6   | EEA3693    | 1    | Connection box 1xM 25x1.5+4xM 32x1.5 | 220x120x91 mm  |
| 7   | EEA3691    | 1    | Base (PVC) (PVC)                     | 175x80x43.5    |
| 8   | EEA2892    | 1    | Cover (PVC)                          | 175x80x15      |
| 9   | EEA3689    | 1    | Base                                 | 175x80x43.5    |
| 10  | EEA2706    | 1    | Cover                                |                |
| 11  | EEA4143    | 1    | Cover                                |                |
| 12  | EEA4700    | 1    | Cover                                |                |
| 13  | EEA4701    | 1    | Cover                                |                |
| 14  | EEA4702    | 1    | Cover                                |                |
| 15  | EEA3692    | 1    | Base                                 | 238x119x68.8   |
| 16  | EEA2702    | 1    | Cover                                |                |
| 17  | EEA3690    | 1    | Base                                 |                |
| 18  | EEA2704    | 1    | Cover                                |                |
| 19  | EEA3685    | 1    | Connection box                       | 125x80x57 mm   |
| 19  | EEA5473    | 1    | Connection box 4xM 25x1.5+2xM 32x1.5 | 140x140x92 mm  |
| 20  | EEA 163    | 1    | Cover                                | 175x80x15      |

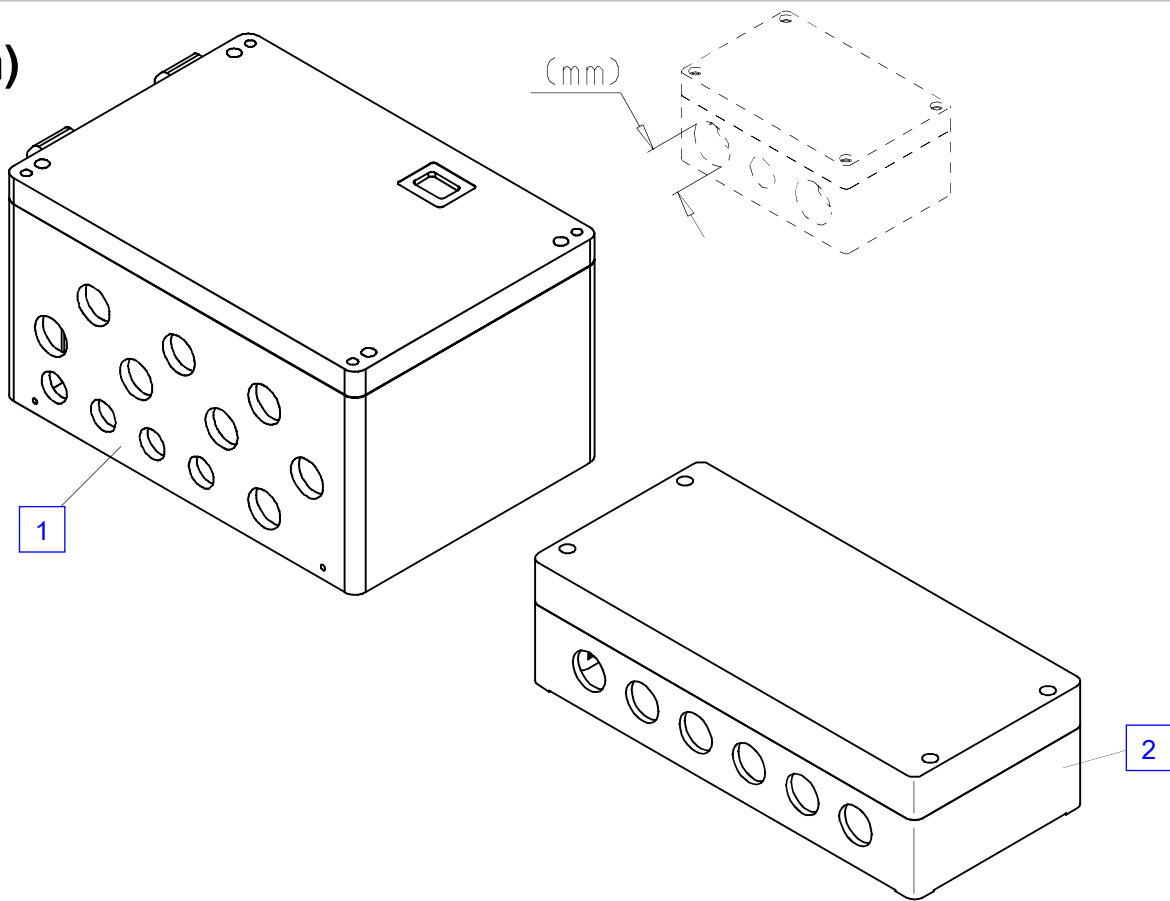


Housing - (mm) 2

| No. | Spare part | Qty. | Description                           | Dimension      |
|-----|------------|------|---------------------------------------|----------------|
| 1   | EEA4244    | 1    | Connection box 4xM 25x1.5+10xM 32x1.5 | 330x230x180 mm |
|     | ES3569     | 4    | Screw                                 | M 6x35 ISO4762 |
|     | ES3567     | 4    | Screw                                 | M 6x25 ISO4762 |
|     | ES3568     | 4    | Screw                                 | M 6x30 ISO4762 |
| 2   | EEA3688    | 1    | Connection box 2xM 25x1.5+6xM 32x1.5  | 360x160x90 mm  |
|     | ES3567     | 4    | Screw                                 | M 6x25 ISO4762 |
|     | ES3568     | 4    | Screw                                 | M 6x30 ISO4762 |
|     | ES3569     | 4    | Screw                                 | M 6x35 ISO4762 |

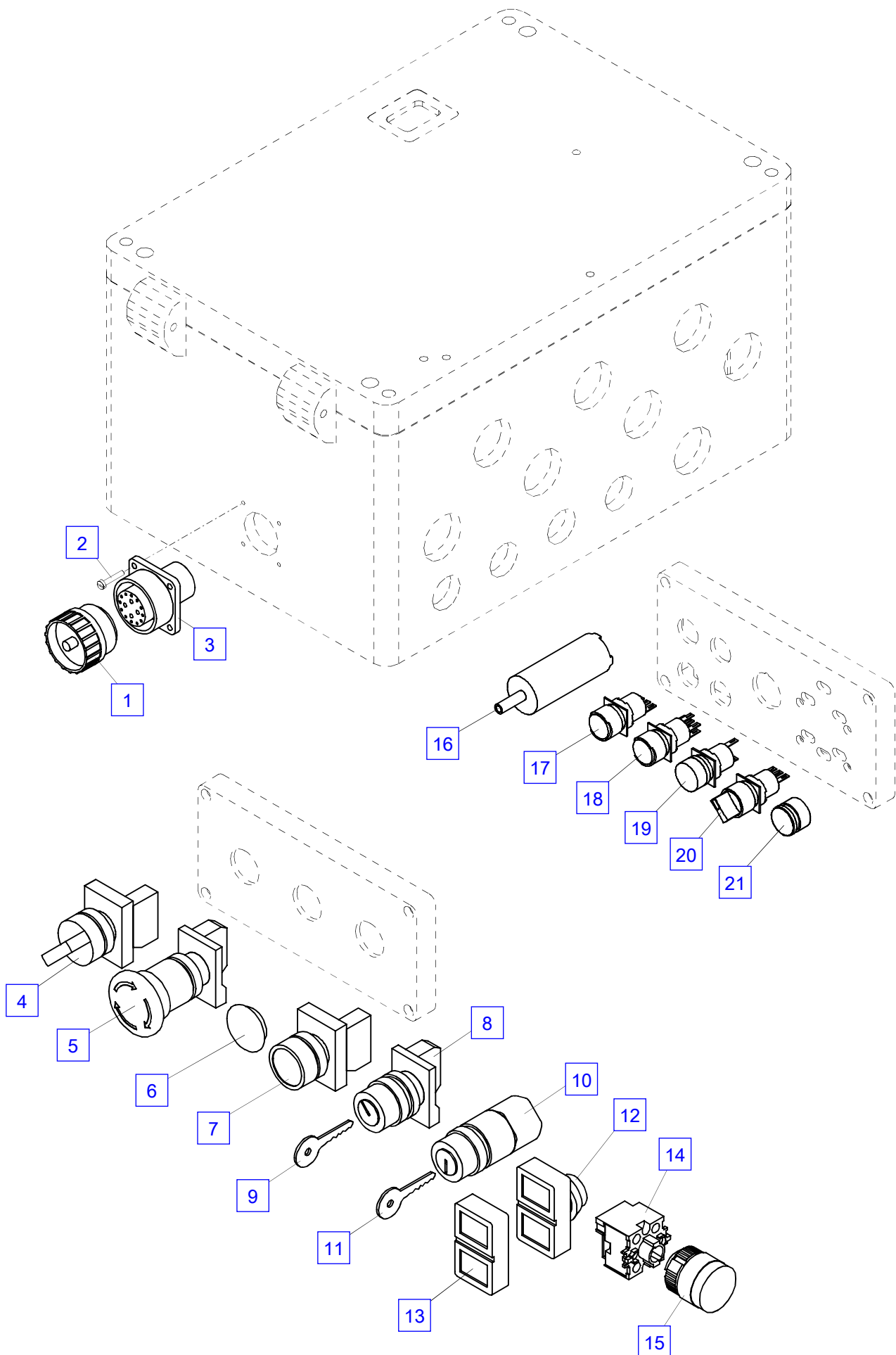


(mm)



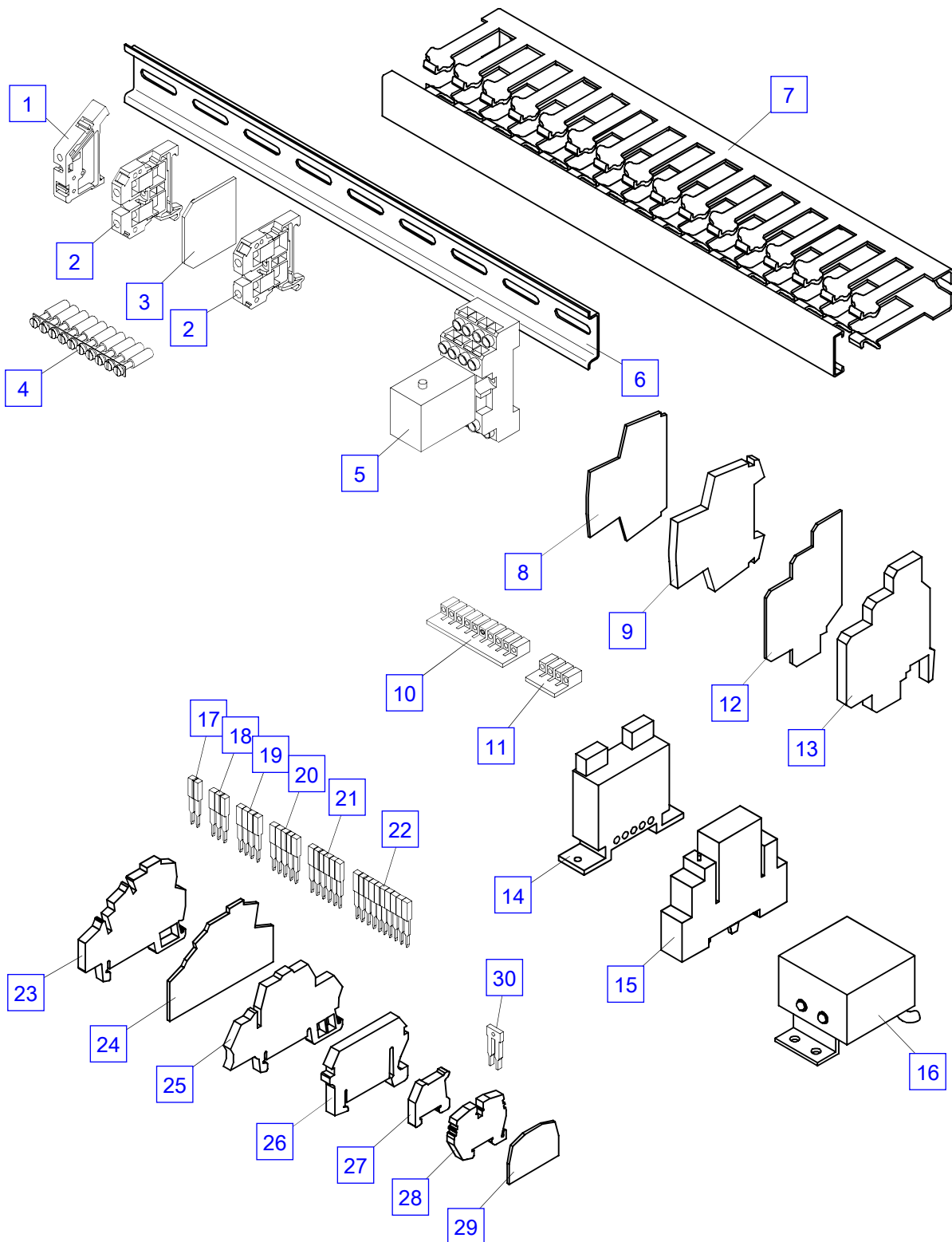
Switch

| No. | Spare part | Qty. | Description                               | Dimension                     |
|-----|------------|------|---|-------------------------------|
| 1   | EK 370     | 1    | Protecting cap 14+PE                      | C16-3                         |
| 2   | ES 412     | 4    | Screw                                     | M 3x16 DIN 84                 |
| 3   | EEA 599    | 1    | Plug box 14+PE                            | C16-3                         |
|     | EEA5498    | 1    | Contact                                   | C16-3 0.5-1.5 mm <sup>2</sup> |
|     | EEA5500    | 1    | Contact                                   | C16-3 0.75-1 mm <sup>2</sup>  |
|     | EEA 602    | 1    | Contact                                   | C16-3                         |
|     | EEA 605    | 1    | Contact                                   | C16-3                         |
| 4   | EEA3008    | 1    | Switch, black                             |                               |
| 5   | EEA2998    | 1    | Emergency cut-off button                  |                               |
| 6   | EEA3001    | 1    | Blind plug                                |                               |
| 7   | EEA2999    | 1    | Button cpl. (normally open)               |                               |
|     | EEA5000    | 1    | LED-module (green) without bearing        | 12V                           |
|     | EEA5001    | 1    | LED-module (red) without bearing          | 12V                           |
|     | EEA5002    | 1    | LED-module (yellow) without bearing       | 12V                           |
|     | EEA5003    | 1    | LED-module (blue) without bearing         | 12V                           |
|     | EEA4183    | 1    | Contact (normally open)                   |                               |
|     | EEA3571    | 1    | Protecting cap                            |                               |
| 8   | EEA3000    | 1    | Key switch (2-positions)<br>(2 positions) |                               |
| 9   | EEA3156    | 1    | Key<br>for EEA3000                        | RONIS 455                     |
| 10  | EEA3002    | 1    | Key switch (3-positions)<br>(3 positions) |                               |
| 11  | EEA3157    | 1    | Key<br>for EEA3002                        | RONIS 601                     |
| 12  | EEA3777    | 1    | Switch                                    |                               |
| 13  | EEA3778    | 1    | Protecting cap                            |                               |
| 14  | EEA3268    | 2    | Contact (normally open)                   |                               |
| 15  | EEA3311    | 2    | Front element                             |                               |
| 16  | EEA4729    | 1    | Installation Key                          |                               |
| 17  | EEA4722    | 1    | Push button, black                        |                               |
| 18  | EEA4723    | 1    | Push button, green                        |                               |
| 18  | EEA4725    | 1    | Push button, green<br>withLED             |                               |
| 19  | EEA4724    | 1    | Alarm lamp, green                         |                               |
| 20  | EEA4728    | 1    | Switch                                    |                               |
| 21  | EEA5041    | 1    | Blind plug                                |                               |



Electrical parts

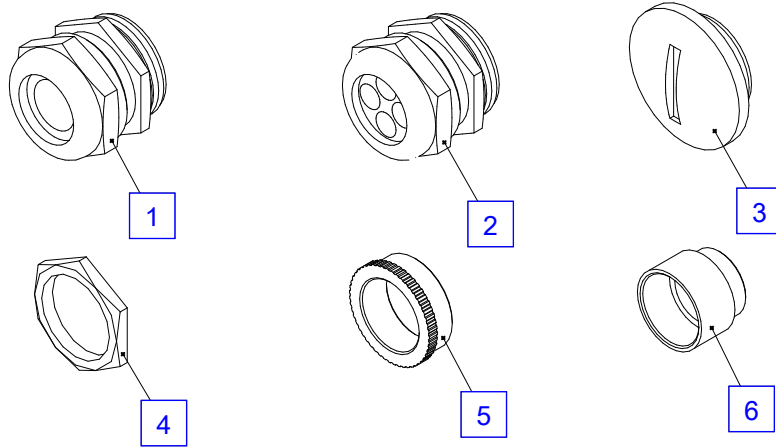
| No. | Spare part | Qty. | Description                     | Dimension                 |
|-----|------------|------|---------------------------------|---------------------------|
| 1   | EEA 195    | 0    | End terminal                    |                           |
| 2   | EEA 234    | 0    | Line-up terminal                | SAKD 2.5/035              |
| 3   | EEA 516    | 0    | Plate                           |                           |
| 4   | EEA 594    | 0    | Cross connection                | 10-fach                   |
| 5   | EE 102     | 0    | Relay                           | 24V 7A                    |
| 5   | EE 105     | 0    | Relay                           | 12V 7A                    |
| 6   | EEA 219    | 0    | Bearing rail<br>Metered good    |                           |
| 7   | EEA 241    | 0    | Cable duct<br>Metered good      | h=60 mm b=25 mm           |
| 8   | EEA3075    | 0    | Stop plate                      | WAP/WDK 2.5               |
| 9   | EEA3074    | 0    | Line-up terminal                | WDK 2.5                   |
| 9   | EEA4071    | 0    | Line-up terminal                | WDK 2.5 LD                |
| 10  | EEA3073    | 0    | Cross connection                | WQV 2.5/10                |
| 11  | EEA3076    | 0    | Cross connection                | WQV 2,5/4                 |
| 12  | EEA3972    | 0    | Stop plate                      | 12V                       |
| 13  | EEA4971    | 0    | Relay                           | 12V 6A                    |
| 13  | EEA4972    | 0    | Relay                           | 24V 6A                    |
| 13  | EEA4255    | 0    | Relay                           | 12V 6A                    |
| 13  | EEA3971    | 0    | Relay                           | 24V 6A                    |
| 14  | EEA5060    | 1    | Time lag relay                  | 8...32Vdc                 |
| 15  | EE 101     | 0    | Relay                           | 24V 12A                   |
| 15  | EE 104     | 0    | Relay                           | 12V 12A                   |
| 15  | EE 127     | 0    | Relay<br>(2-de poles)           | 24V 8A                    |
| 15  | EE 128     | 0    | Relay<br>(2-de poles)           | 12V 8A                    |
| 15  | EEA1456    | 0    | Relay<br>Workman basket         | 24V 4A                    |
| 15  | EEA1812    | 0    | Relay                           | 24V 16A                   |
| 15  | EEA2419    | 0    | Relay                           | 12V 16A                   |
| 15  | EEA4088    | 0    | Relay - gold kontakt            | 24V 6A                    |
| 15  | EEA4089    | 0    | Relay - gold kontakt            | 12V 6A                    |
| 16  | EE 020     | 1    | Relay                           | 12V 20A                   |
| 16  | EE 024     | 1    | Relay                           | 24V 10A                   |
| 17  | EEA4552    | 1    | Cross connection (2-sections)   | ZDK 27.6 mm               |
| 18  | EEA4553    | 1    | Cross connection (3-sections)   | ZDK 27.6 mm               |
| 19  | EEA4554    | 1    | Cross connection (4-sections)   | ZDK 27.6 mm               |
| 20  | EEA4555    | 1    | Cross connection (5-sections)   | ZDK 27.6 mm               |
| 21  | EEA4556    | 1    | Cross connection (6-sections)   | ZDK 27.6 mm               |
| 22  | EEA4557    | 1    | Cross connection (10-sections)  | ZDK 27.6 mm               |
| 23  | EEA4550    | 1    | Line-up terminal                | ZDK max. 2.5 <sup>2</sup> |
| 24  | EEA4551    | 1    | Stop plate                      | ZDK 27.6 mm               |
| 25  | EEA4559    | 1    | Line-up terminal LED<br>withLED | ZDK max. 2.5 <sup>2</sup> |
| 26  | EEA4558    | 1    | End terminal                    | ZDK                       |
| 27  | EEA4547    | 1    | End terminal                    | ZDK                       |
| 28  | EEA4543    | 1    | Line-up terminal                | ZDK max. 2.5 <sup>2</sup> |
| 29  | EEA4546    | 1    | Connection plate                | ZDK                       |
| 30  | EEA4548    | 1    | Cross connection (2-sections)   | ZDK 23 mm                 |



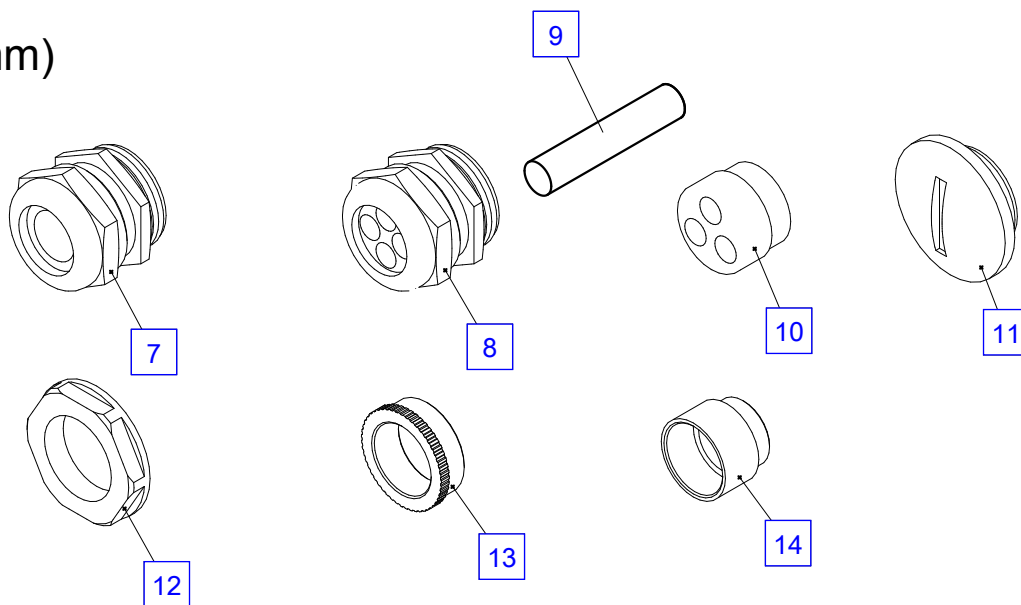
Fitting

| No. | Spare part | Qty. | Description         | Dimension             |
|-----|------------|------|---------------------|-----------------------|
| 1   | EEA 508    | 1    | Fitting             | PG 9                  |
| 1   | EEA 509    | 1    | Fitting             | PG 11                 |
| 1   | EEA 510    | 1    | Fitting             | PG 13.5               |
| 1   | EEA 511    | 1    | Pressure connection |                       |
| 1   | EEA 512    | 1    | Pressure connection | PG 21                 |
| 2   | EEA 513    | 1    | Pressure connection | PG 31 4x6             |
| 2   | EEA1754    | 1    | Fitting             | PG 13.5 4x4 mm        |
| 3   | EEA 279    | 1    | Blind plug          | PG 13,5               |
| 3   | EEA 280    | 1    | Blind plug          | PG 16                 |
| 3   | EEA 281    | 1    | Blind plug          | PG 21                 |
| 4   | EEA1473    | 1    | Counter nut         |                       |
| 4   | EEA1474    | 1    | Counter nut         |                       |
| 4   | EEA1475    | 1    | Counter nut         |                       |
| 5   | EEA 262    | 1    | Reduction           | PG 21/16              |
| 5   | EEA 285    | 1    | Reduction           | PG 13.5/11            |
| 6   | EEA 291    | 1    | Extension           | PG 11-13.5            |
| 6   | EEA 293    | 1    | Extension           | PG 16-21              |
| 6   | EEA 294    | 1    | Extension           | PG 21-29              |
| 7   | EEA3703    | 1    | Fitting             | M 25x1.5 (1x7-17 mm)  |
| 7   | EEA3704    | 1    | Fitting             | M 32x1.5 (1x13-21 mm) |
| 7   | EEA3705    | 1    | Fitting             | M20x1.5 (1x4-13 mm)   |
| 8   | EEA3706    | 1    | Fitting             | M 32x1.5 (4x5-7 mm)   |
| 8   | EEA3707    | 1    | Fitting             | M 32x1.5 (2x8-10 mm)  |
| 8   | EEA3708    | 1    | Fitting             | M 25x1.5 (4x4-6 mm)   |
| 8   | EEA3709    | 1    | Fitting             | M 25x1.5 (3x5-7 mm)   |
| 9   | EEA11601   | 1    | Pin                 | D=5x25 mm             |
| 9   | EEA11602   | 1    | Pin                 | D=6x25 mm             |
| 9   | EEA11603   | 1    | Pin                 | D=7x25 mm             |
| 9   | EEA11604   | 1    | Pin                 | D=8x20 mm             |
| 9   | EEA11605   | 1    | Pin                 | D=9x20 mm             |
| 10  | EEA3710    | 1    | Cartridge           | M 32x1.5 (3x6-8 mm)   |
| 11  | EEA3711    | 1    | Blind plug          | M 25x1.5              |
| 11  | EEA3712    | 1    | Blind plug          | M 32x1.5              |
| 11  | EEA3727    | 1    | Blind plug          | M 20x1.5              |
| 12  | EEA3713    | 1    | Counter nut         | M 25x1.5              |
| 12  | EEA3714    | 1    | Counter nut         | M20x1.5               |
| 12  | EEA3725    | 1    | Counter nut         | M 32x1.5              |
| 13  | EEA3715    | 1    | Reduction           | M 32x1.5 - M 25x1.5   |
| 13  | EEA3726    | 1    | Reduction           | M 25x1.5 - M 20x1.5   |
| 14  | EEA3716    | 1    | Extension           | M 25x1.5 - M 32x1.5   |
| 14  | EEA3728    | 1    | Extension           | M 20x1.5 - M 25x1.5   |

PG



(mm)



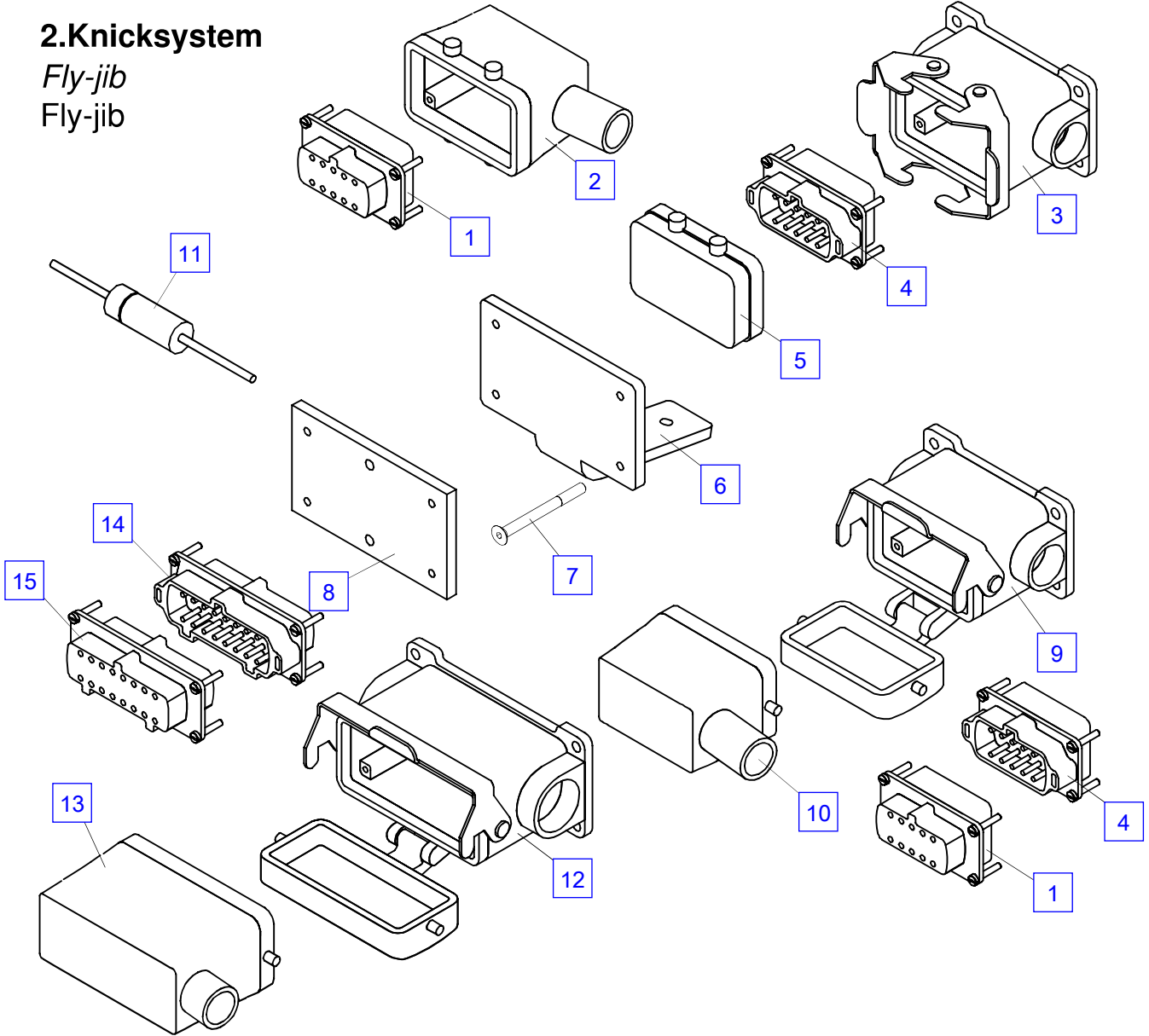
Plug - auxiliary equipment

| No. | Spare part | Qty. | Description                  | Dimension       |
|-----|------------|------|------------------------------|-----------------|
| 1   | EEA1666    | 1    | Female insert (10-pole)      |                 |
| 2   | EEA1663    | 1    | Plug case                    |                 |
| 3   | EEA1664    | 1    | Base case                    |                 |
| 4   | EEA1665    | 1    | Plug insert (10-pole)        |                 |
| 5   | EEA1667    | 1    | Protecting cap               |                 |
| 6   | HA6721     | 1    | Bearer                       |                 |
| 7   | ES 954     | 4    | Screw                        | M 5x55 DIN 7991 |
| 8   | HTR3506    | 1    | Fastening plate              |                 |
| 9   | EEA3898    | 1    | Base case (10-pole)          | M 20x1.5        |
| 10  | EEA4111    | 1    | Plug case (10-pole)          | M 20x1.5        |
| 11  | EEA2538    | 1    | Resistor                     | 2200 OHM        |
| 11  | EEA3069    | 1    | Resistor PJ<br>(Version 2.6) | 12,7 kΩ / 24V   |
| 11  | EEA3070    | 1    | Resistor PJ<br>(Version 2.6) | 6,2 kΩ / 12V    |
| 12  | EEA5024    | 1    | Base case (16+40-pole)       | M 25x1.5        |
| 12  | EEA5796    | 1    | Base case (24-pole)          | M 32x1.5        |
| 13  | EEA5025    | 1    | Plug case (16+40-pole)       | M 25x1.5        |
| 13  | EEA5797    | 1    | Plug case (24-pole)          | M 32x1.5        |
| 14  | EEA5026    | 1    | Plug insert (16-pole)        |                 |
| 14  | EEA5798    | 1    | Plug insert (24-pole)        |                 |
| 15  | EEA5027    | 1    | Female insert (16-pole)      |                 |
| 15  | EEA5799    | 1    | Bush insert (24-pole)        |                 |
| 16  | EEA3815    | 1    | Plug case                    |                 |
| 16  | EEA4952    | 1    | Base case (6-pole)           | M 20x1.5        |
| 17  | EEA3816    | 1    | Plug case                    |                 |
| 17  | EEA4953    | 1    | Plug case (6-pole)           | M 25x1.5        |
| 18  | EEA3817    | 1    | Plug insert (6-pole)         |                 |
| 19  | EEA3818    | 1    | Bush insert (6-pole)         |                 |
| 20  | HT6038     | 1    | Fastening plate              |                 |



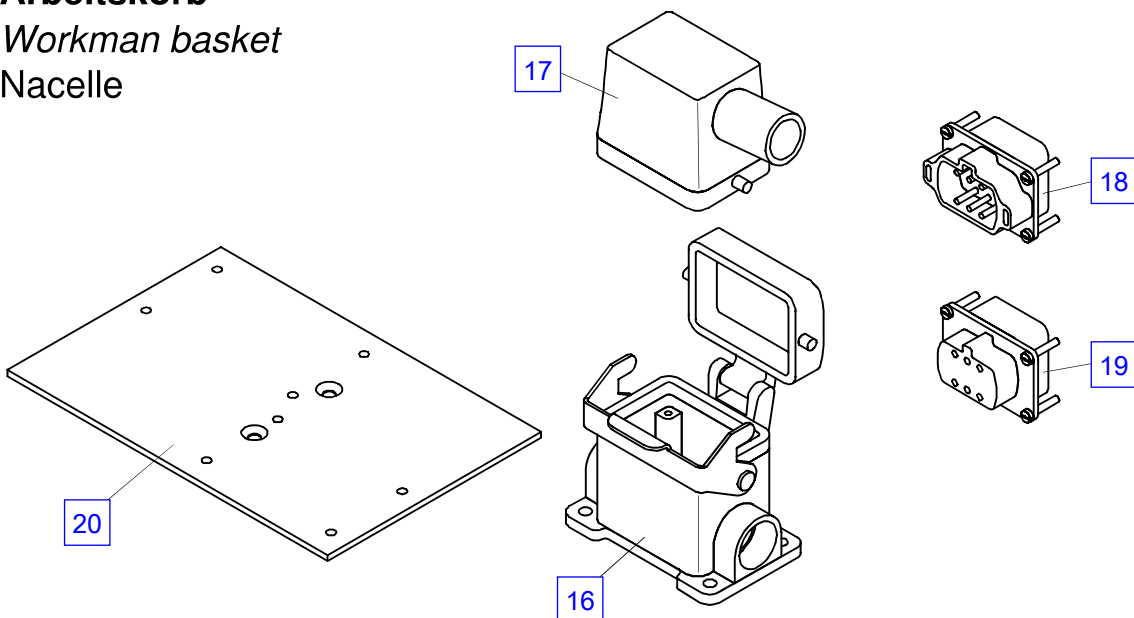
**2.Knicksystem**

*Fly-jib*  
*Fly-jib*



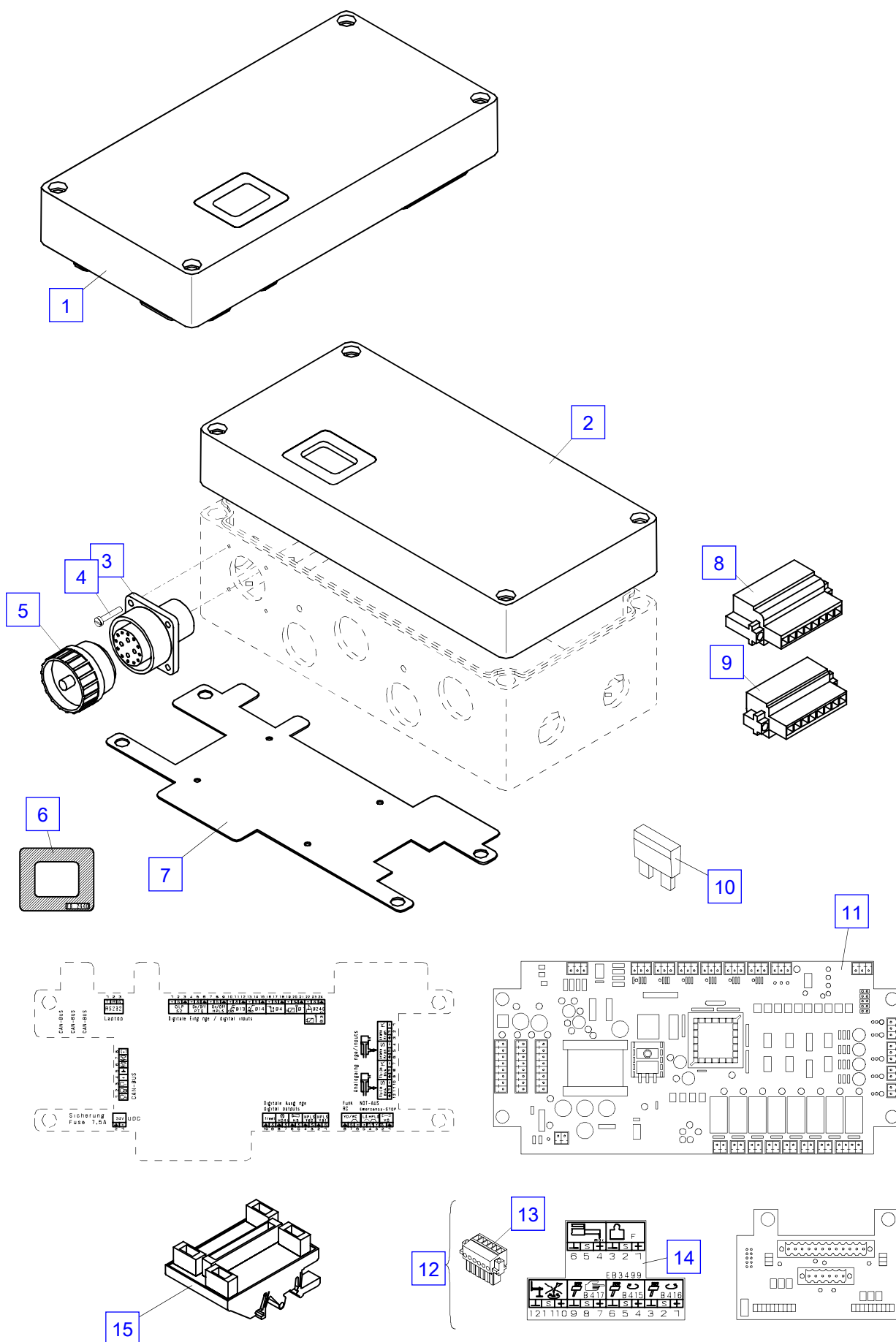
**Arbeitskorb**

*Workman basket*  
*Nacelle*



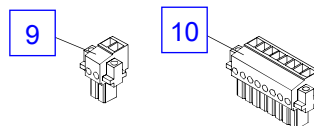
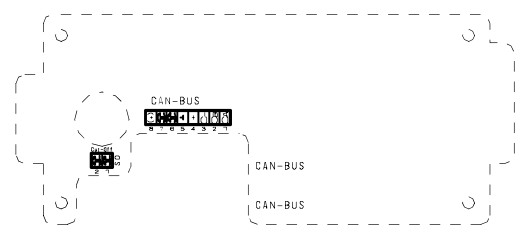
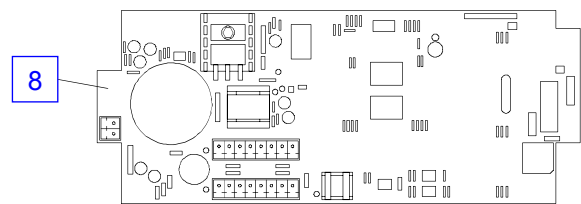
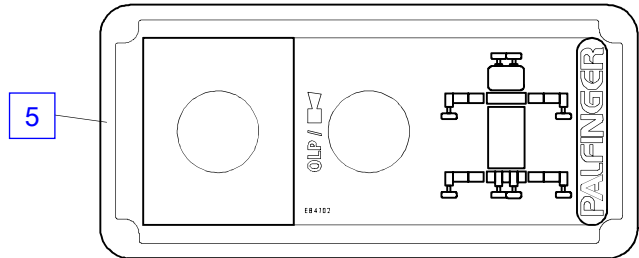
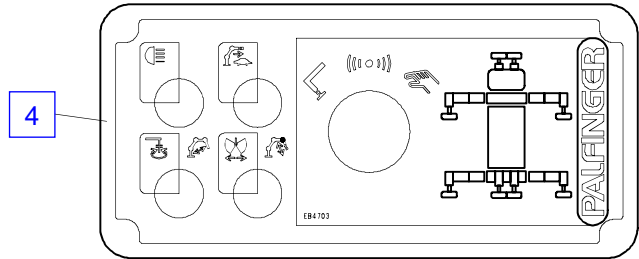
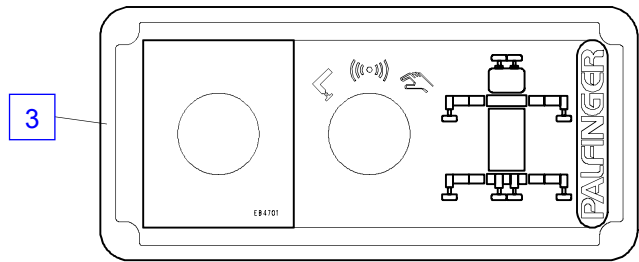
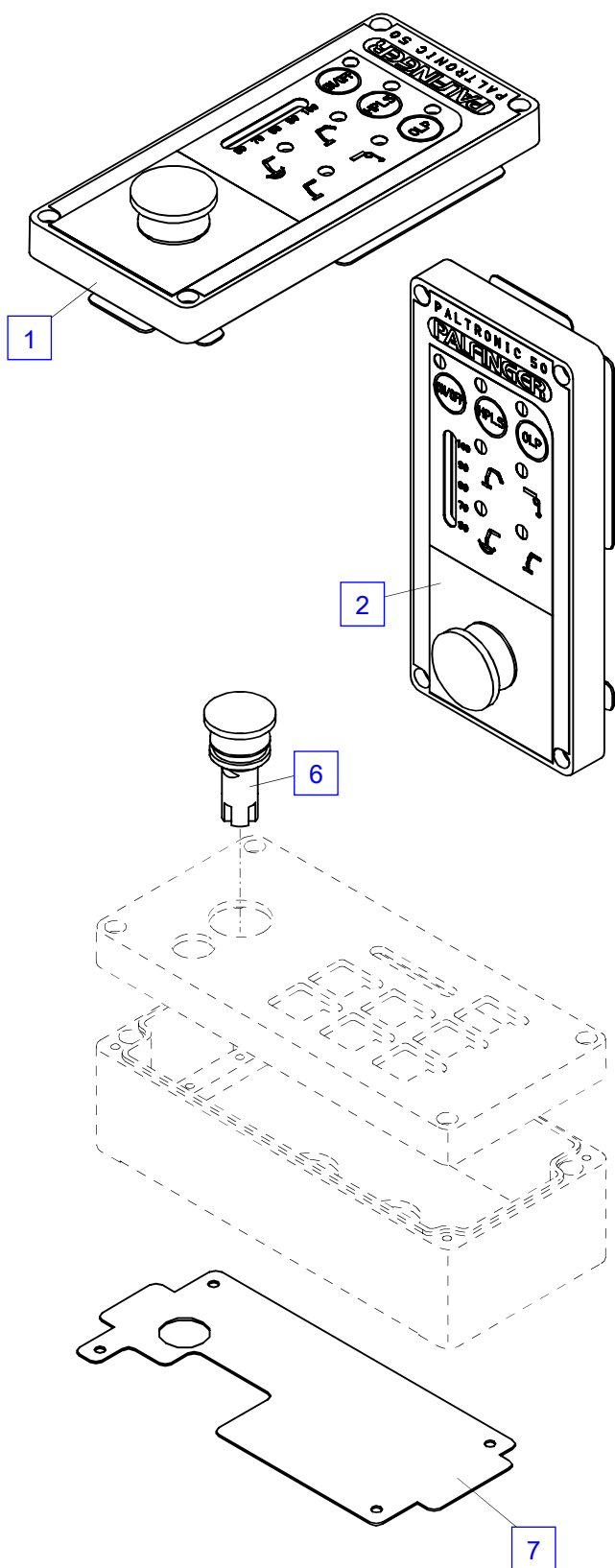
Basic element

| No. | Spare part | Qty. | Description                | Dimension                     |
|-----|------------|------|----------------------------|-------------------------------|
| 1   | EEA4054    | 1    | Basic element              | Version 3.0                   |
| 1   | EEA4575    | 1    | Basic element<br>cplt.     | Version 4.0                   |
| 2   | EEA2702    | 1    | Cover                      |                               |
| 3   | EEA 599    | 1    | Plug box 14+PE             | C16-3                         |
|     | EEA5498    | 1    | Contact                    | C16-3 0.5-1.5 mm <sup>2</sup> |
|     | EEA5500    | 1    | Contact                    | C16-3 0.75-1 mm <sup>2</sup>  |
|     | EEA 602    | 1    | Contact                    | C16-3                         |
|     | EEA 605    | 1    | Contact                    | C16-3                         |
| 4   | ES 412     | 4    | Screw                      | M 3x16 DIN 84                 |
| 5   | EK 370     | 1    | Protecting cap 14+PE       | C16-3                         |
| 6   | EB2440     | 1    | Decal                      |                               |
| 7   | HT1009     | 1    | Cover plate                |                               |
| 8   | EEA4591    | 1    | Female strip (2-sections)  | Typ BLZF                      |
| 8   | EEA4592    | 1    | Female strip (3-sections)  | Typ BLZF                      |
| 8   | EEA4597    | 1    | Female strip (24-sections) | Typ BLZF                      |
| 8   | EEA5034    | 1    | Female strip (4-sections)  | Typ BLZF                      |
| 8   | EEA4948    | 1    | Female strip (5-sections)  | Typ BLZF                      |
| 8   | EEA4593    | 1    | Female strip (6-sections)  | Typ BLZF                      |
| 8   | EEA4594    | 1    | Female strip (8-sections)  | Typ BLZF                      |
| 8   | EEA4947    | 1    | Female strip (9-sections)  | Typ BLZF                      |
| 8   | EEA4595    | 1    | Female strip (10-sections) | Typ BLZF                      |
| 8   | EEA4596    | 1    | Female strip (12-sections) | Typ BLZF                      |
| 8   | EEA5705    | 1    | Wire plug (15-sections)    | Typ BLZF                      |
| 9   | EEA2603    | 1    | Wire plug (2-sections)     | Typ BL                        |
| 9   | EEA2698    | 1    | Wire plug (3-sections)     | Typ BL                        |
| 9   | EEA1720    | 1    | Wire plug (4-sections)     | Typ BL                        |
| 9   | EEA3087    | 1    | Wire plug (6-sections)     | Typ BL                        |
| 9   | EEA2604    | 1    | Wire plug (8-sections)     | Typ BL                        |
| 9   | EEA2605    | 1    | Female strip (10-sections) | Typ BL                        |
| 9   | EEA2606    | 1    | Wire plug (12-sections)    | Typ BL                        |
| 9   | EEA2607    | 1    | Wire plug (24-sections)    | Typ BL                        |
| 10  | EEA4577    | 1    | Fuse                       | 5 A                           |
| 11  | EEA4058    | 1    | Attachment board           | Version 3.0                   |
| 11  | EEA4576    | 1    | Attachment board           | Version 4.0                   |
| 12  | EEA2937    | 1    | Attachment board<br>cplt.  | 12/24V                        |
| 13  | EEA3087    | 1    | Wire plug (6-sections)     | Typ BL                        |
| 14  | EB3499     | 1    | Symbol sign                |                               |
| 15  | EEA4658    | 1    | Indicator module           |                               |



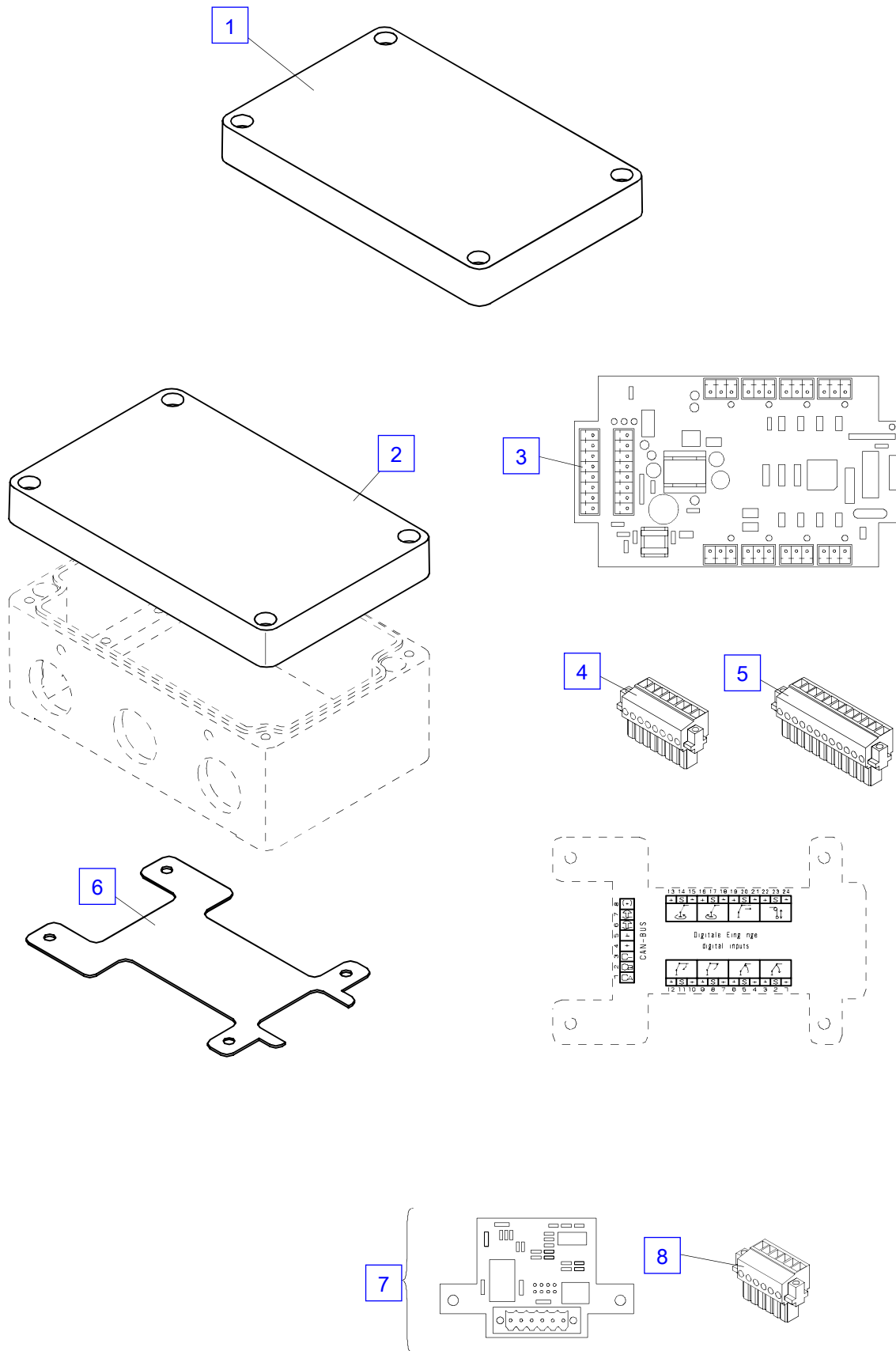
Control unit, cpl.

| No. | Spare part | Qty. | Description              | Dimension |
|-----|------------|------|--------------------------|-----------|
| 1   | EEA1717    | 1    | Control unit, cpl.       |           |
| 2   | EEA2740    | 1    | Control unit, cpl.       |           |
| 3   | EEA4806    | 1    | Control unit, cpl.       |           |
| 4   | EEA4807    | 1    | Control unit, cpl.       |           |
| 5   | EEA4808    | 1    | Control unit, cpl.       |           |
| 6   | EEA2234    | 1    | Emergency cut-off button | 22 mm     |
| 6   | EEA6077    | 1    | Emergency cut-off button |           |
| 7   | HT1042     | 1    | Cover plate              |           |
| 8   | EEA1931    | 1    | Attachment board         |           |
| 9   | EEA2603    | 0    | Wire plug (2-sections)   | Typ BL    |
| 10  | EEA2604    | 0    | Wire plug (8-sections)   | Typ BL    |



Valve casing, cpl.

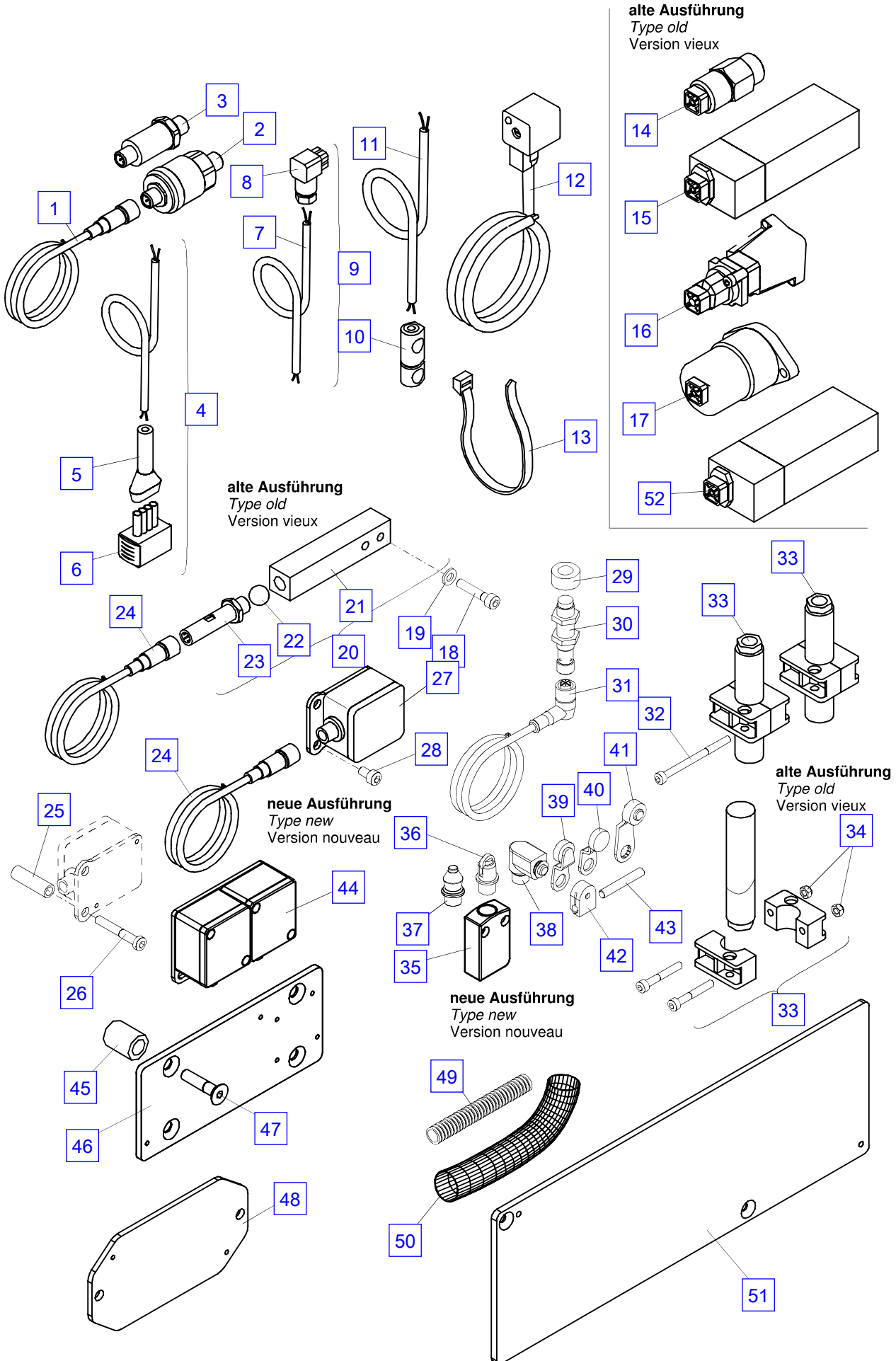
| No. | Spare part | Qty. | Description               | Dimension |
|-----|------------|------|---------------------------|-----------|
| 1   | EEA1716    | 1    | Valve casing, cpl.        |           |
| 2   | EEA2704    | 1    | Cover                     |           |
| 3   | EEA1930B   | 1    | Drawer electronics, cpl.  | PAL 50    |
|     | EEA12797   | 1    | Spool position board      |           |
|     | EEA12797B  | 1    | Spool position board      |           |
| 4   | EEA2604    | 0    | Wire plug (8-sections)    | Typ BL    |
| 5   | EEA2606    | 0    | Wire plug (12-sections)   | Typ BL    |
| 6   | HT16686    | 1    | Cover plate               |           |
| 7   | EEA3019    | 1    | Attachment board<br>cplt. | AOS 24V   |
| 7   | EEA3429    | 1    | Attachment board<br>cplt. | AOS 12V   |
| 8   | EEA3087    | 1    | Wire plug (6-sections)    | Typ BL    |



Accessories (1)

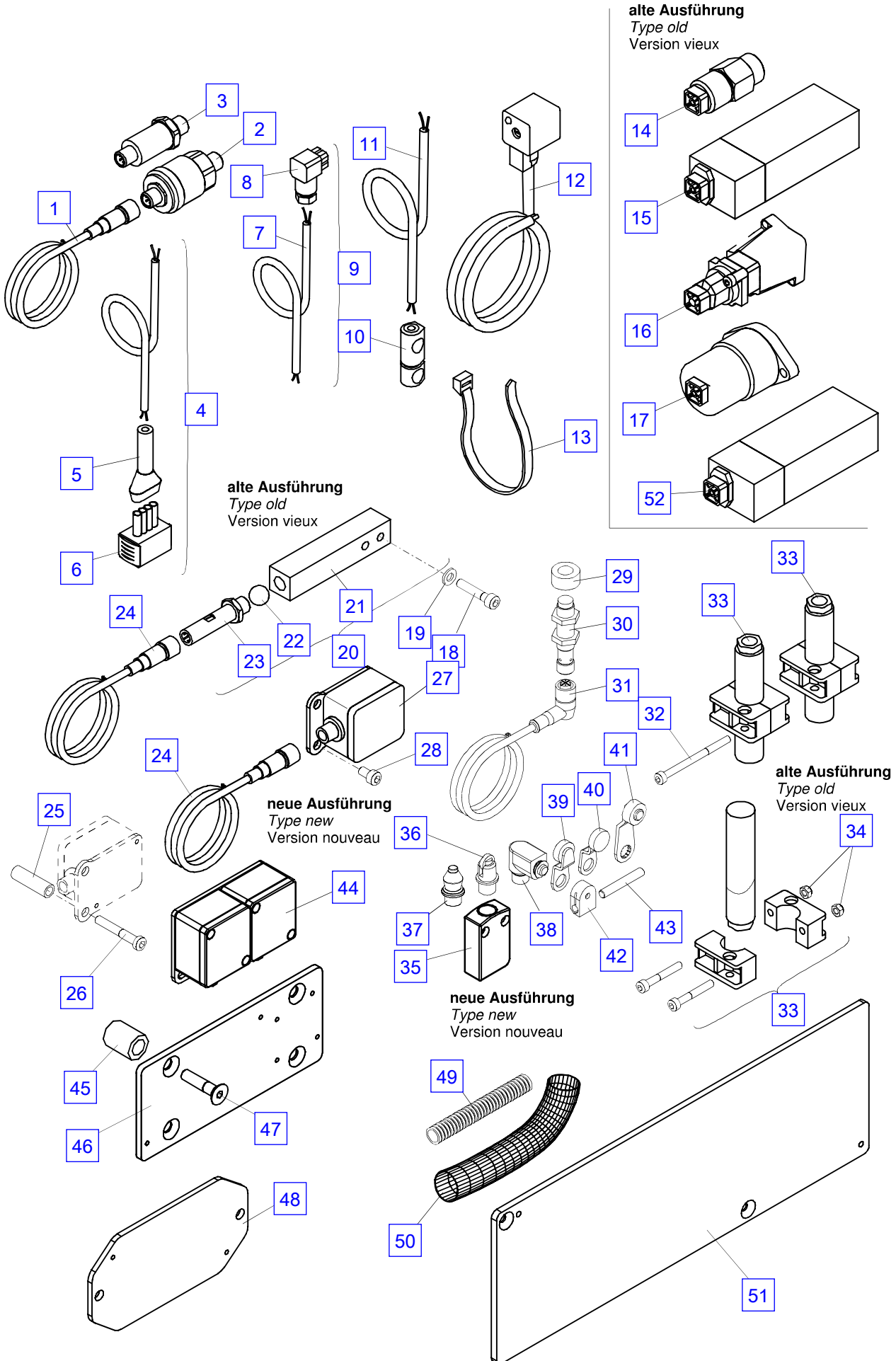
| No. | Spare part | Qty. | Description                            | Dimension              |
|-----|------------|------|--|------------------------|
| 1   | EEA2574    | 2    | Plug with cable (3-pole)               | M 12 - 8 m             |
| 1   | EEA5075    | 2    | Plug with cable (3-pole)               | M 12 - 3 m             |
| 2   | EEA2559    | 2    | Pressure transducer                    | 24 V 400 bar           |
| 2   | EEA2812    | 2    | Pressure transducer                    | 12V 400bar             |
| 3   | EEA4164    | 2    | Pressure transducer                    | 12V 600 bar            |
| 3   | EEA4165    | 2    | Pressure transducer                    | 24V 600 bar            |
| 4   | EEA2595    | 1    | Plug, cpl. with cable                  | 4x0.34 l=1500          |
| 4   | EEA2889    | 1    | Plug with cable black (AMP) with cable | l=2500                 |
| 4   | EEA3037    | 1    | Plug with cable grey (AMP) with cable  | l=2150                 |
| 5   | EZ1731     | 1    | Rubber grummet                         |                        |
| 6   | EEA2609    | 1    | Plug, black                            | AMP                    |
| 7   | EEA1755    | 0    | Cable (metre goods) Metered good       | 4x0.34 mm <sup>2</sup> |
| 8   | EEA1718    | 1    | Wire plug                              |                        |
| 9   | EEA2696    | 1    | Plug with cable                        | 1.5 m                  |
| 10  | EEA 031    | 1    | Fuse                                   | 8 A                    |
| 11  | EEA 058    | 0    | Cable (metre goods)                    | 3x0.5 mm <sup>2</sup>  |
| 11  | EEA 134    | 0    | Cable for drag chain (metro goods)     | 12x1 mm <sup>2</sup>   |
| 11  | EEA 162    | 0    | Cable (metre goods)                    | 3x1.5 mm <sup>2</sup>  |
| 11  | EEA 169    | 0    | Cable (metre goods)                    | 2x1 mm <sup>2</sup>    |
| 11  | EEA 170    | 0    | Cable (metre goods)                    | 2x1.5 mm <sup>2</sup>  |
| 11  | EEA 192    | 0    | Cable (metre goods)                    | 7x1.5 mm <sup>2</sup>  |
| 11  | EEA2141    | 0    | Cable for drag chain (metro goods)     | 5x1 mm <sup>2</sup>    |
| 11  | EEA2478    | 0    | Cable (metre goods)                    | 2x2.5 mm <sup>2</sup>  |
| 11  | EEA5752    | 0    | Cable for drag chain (metro goods)     | 22x1 mm <sup>2</sup>   |
| 12  | EEA 772    | 1    | Plug with cable LED                    | 1,5 m                  |
| 12  | EEA 773    | 1    | Plug with cable LED                    | 3 m                    |
| 13  | EK 155     | 1    | Cable tie                              | l=102x2.5              |
| 13  | EK 165     | 1    | Cable tie                              | l=215x4.8              |
| 14  | EV3612     | 1    | Spool position control (APITECH)       |                        |
| 15  | EV3613     | 1    | Spool position control (DANFOSS)       |                        |
| 16  | EV3614     | 1    | Spool position control (RS 210)        |                        |
| 17  | EV3615     | 1    | Spool position control (VOAC)          |                        |
| 18  | ES 087     | 2    | Screw                                  | M 6x30 - 8.8 - ISO4762 |
| 18  | ES 855     | 2    | Screw                                  | M 6x25 ISO4762- 8.8    |
| 19  | EK 190     | 2    | Washer                                 | DIN134-06-ST           |
| 20  | HXE 953    | 1    | Pendulum, cpl.                         |                        |
| 21  | HT3612     | 1    | Housing                                |                        |
| 22  | EK 610     | 1    | Ball                                   |                        |
| 23  | EE 110     | 1    | Inductive switch                       |                        |
| 24  | EEA1150    | 1    | Plug with cable (3-pole)               | M 12 - 12 m            |
| 25  | HBS3084    | 2    | Spacer (PJ170)                         | l=33 mm                |
| 26  | ES 105     | 2    | Screw                                  | M 6x40 ISO4762 10.9    |
| 27  | EEA15298   | 1    | Pendulum (0-180°)                      | M 12                   |
| 28  | ES 414     | 2    | Screw                                  | M6x10 ISO4762 - 8.8    |
| 29  | BH242-0803 | 1    | Bushing                                | M 12x1                 |
| 30  | EEA3104    | 1    | Sensor Opener                          | M 12x1 - M 12x1        |
| 31  | EEA3105    | 1    | Angle plug with cable (4-pole)         | M 12 - 2 m             |
| 32  | ES 810     | 2    | Screw                                  | M 5x65 DIN 912         |
| 33  | EEA1252    | 2    | Inductive switch                       |                        |
| 34  | EM 247     | 4    | Nut                                    | M 5 DIN 562 VZ         |
| 35  | EEA3942    | 1    | Limit switch                           |                        |





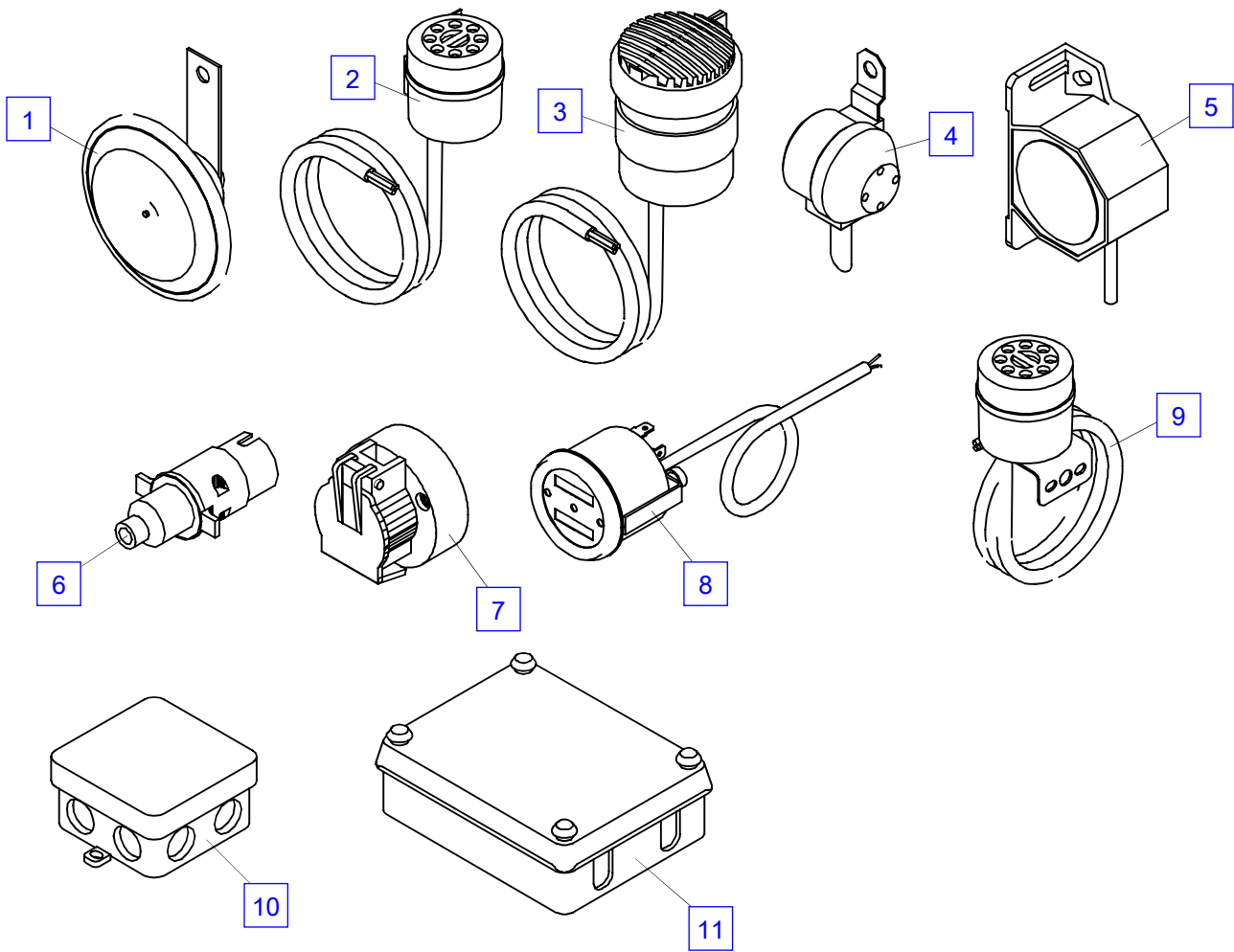
Accessories (1)

| No. | Spare part | Qty. | Description                   | Dimension            |
|-----|------------|------|-------------------------------|----------------------|
|     | EEA3944    | 0    | Connection element with cable | 2 m                  |
|     | EEA3945    | 0    | Connection element with cable | 5 m                  |
|     | EEA3949    | 0    | Connection element with cable | 10 m                 |
| 36  | EEA3943    | 1    | Roller tappet                 |                      |
| 37  | EEA5454    | 1    | Roller tappet                 |                      |
| 38  | EEA3986A   | 1    | Drive                         |                      |
| 39  | EEA3987    | 1    | Roller lever Plastic          | l=42.5 mm, b=5 mm    |
| 40  | EEA4272    | 1    | Roller lever                  |                      |
| 41  | EEA9882    | 1    | Roller lever                  | l=55 mm              |
| 42  | EEA4579    | 1    | Bearer                        |                      |
| 43  | HI7270     | 1    | Pin                           |                      |
| 44  | EEA5030    | 1    | Pendulum, cpl.                |                      |
| 45  | HBS1533    | 2    | Bushing                       | D20.0xd12.5xL=25 mm  |
| 46  | HT6592     | 1    | Plate                         |                      |
| 47  | ES 408     | 2    | Screw                         | M8x35 - 8.8 ISO14581 |
| 48  | HTR4023    | 1    | Fastening plate               |                      |
| 49  | EZ1266     | 0    | Protection hose (metre goods) | D 12.2/15.7 mm       |
| 49  | EZ1293     | 0    | Protection hose (metre goods) | D 9.8/13 mm          |
| 50  | EH 822     | 1    | Protection hose               | NW 50x500            |
| 50  | EH 878     | 1    | Protection hose               | NW 102x1000          |
| 51  | HT11022    | 1    | Plate                         |                      |
| 52  | EV7149     | 1    | Spool position control        |                      |



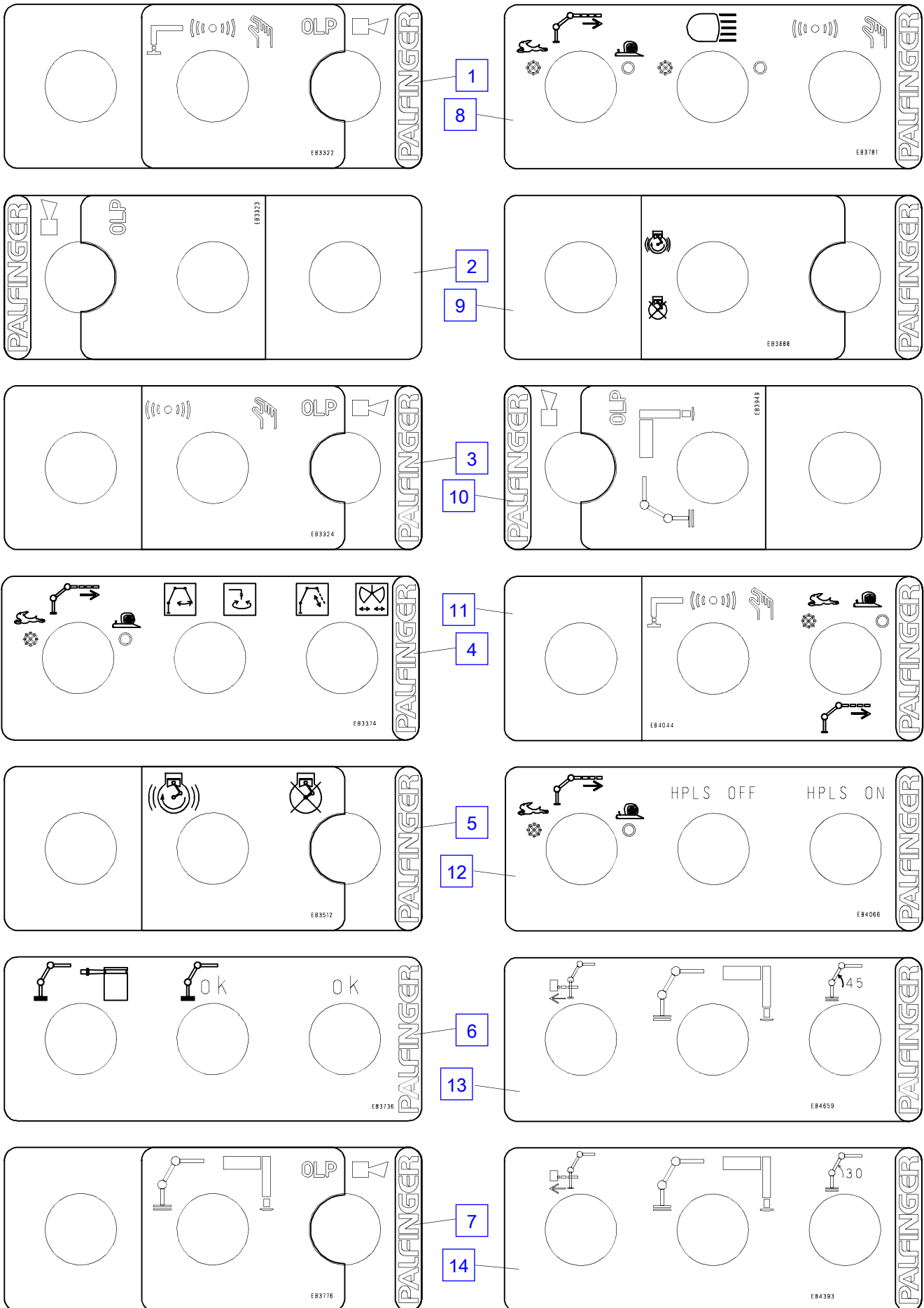
Accessories (2)

| No. | Spare part | Qty. | Description                             | Dimension      |
|-----|------------|------|---|----------------|
| 1   | EEA 036    | 1    | Horn                                    | 12 V           |
| 1   | EEA 037    | 1    | Horn                                    | 24 V           |
| 2   | EEA 080    | 1    | Horn<br>(Alternating tone alert signal) | 12/24 V        |
| 3   | EEA3674    | 1    | Horn<br>for EN-12999                    | 12/24 VDC      |
| 4   | EEA1998    | 1    | Buzzer                                  | 12 V           |
| 4   | EEA1999    | 1    | Horn                                    | 24 V           |
| 5   | EEA2753    | 1    | Horn<br>for EN-12999                    | 12 m (CE)      |
| 6   | EEA 028    | 1    | Plug<br>(3-de poles)                    |                |
| 7   | EEA 029    | 1    | Plug box<br>(3-de poles)                |                |
| 8   | EEA3427    | 1    | Hour meter                              |                |
| 9   | EEA6193    | 1    | Horn<br>(Alternating tone alert signal) | 12/24 VDC (H5) |
| 10  | EEA 030    | 1    | Branch box                              |                |
| 11  | EEA 378    | 1    | Clamp housing                           |                |



## Decals (1)

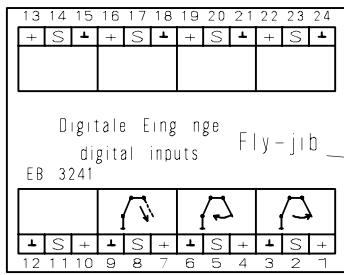
| No. | Spare part | Qty. | Description | Dimension |
|-----|------------|------|-------------|-----------|
| 1   | EB3322     | 1    | Symbol sign |           |
| 2   | EB3323     | 1    | Symbol sign |           |
| 3   | EB3324     | 1    | Symbol sign |           |
| 4   | EB3374     | 1    | Symbol sign |           |
| 5   | EB3512     | 1    | Symbol sign |           |
| 6   | EB3736     | 1    | Symbol sign |           |
| 7   | EB3776     | 1    | Symbol sign |           |
| 8   | EB3781     | 1    | Symbol sign |           |
| 9   | EB3888     | 1    | Symbol sign |           |
| 10  | EB3949     | 1    | Symbol sign |           |
| 11  | EB4044     | 1    | Symbol sign |           |
| 12  | EB4066     | 1    | Symbol sign |           |
| 13  | EB4659     | 1    | Symbol sign |           |
| 14  | EB4393     | 1    | Symbol sign |           |



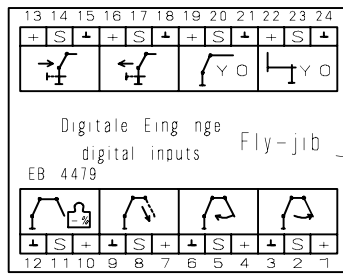
## Decals (2)

| No. | Spare part | Qty. | Description | Dimension |
|-----|------------|------|-------------|-----------|
| 1   | EB3241     | 1    | Symbol sign |           |
| 2   | EB4479     | 1    | Symbol sign |           |
| 3   | EB4480     | 1    | Symbol sign |           |
| 4   | EB3499     | 1    | Symbol sign |           |
| 5   | EB 450     | 1    | Symbol sign | 10A       |
| 6   | EB 382     | 1    | Decal       | 12V       |
| 7   | EB 383     | 1    | Decal       | 24V       |
| 8   | EB3902     | 1    | Symbol sign |           |
| 9   | EB3903     | 1    | Symbol sign |           |
| 10  | EB4710     | 1    | Symbol sign |           |

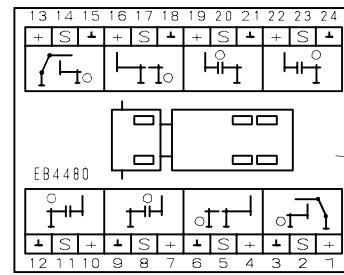




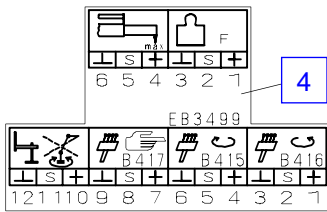
1



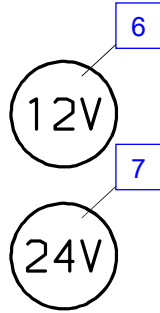
2



3

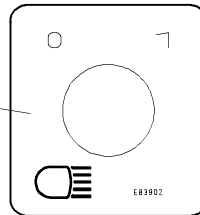


4

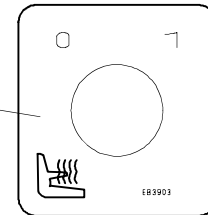


6

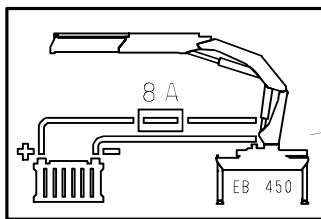
7



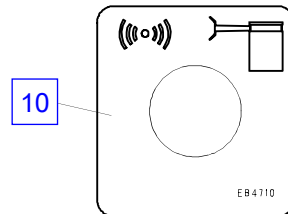
8



9



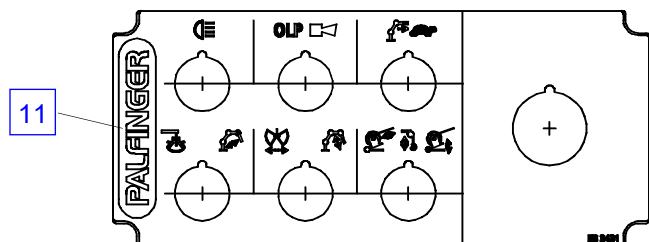
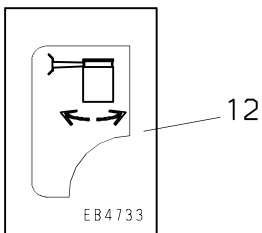
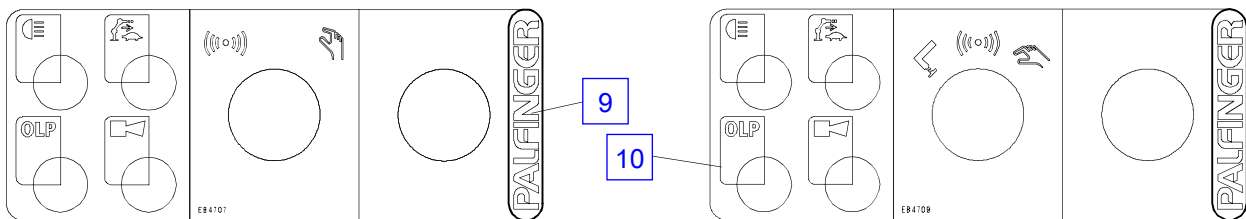
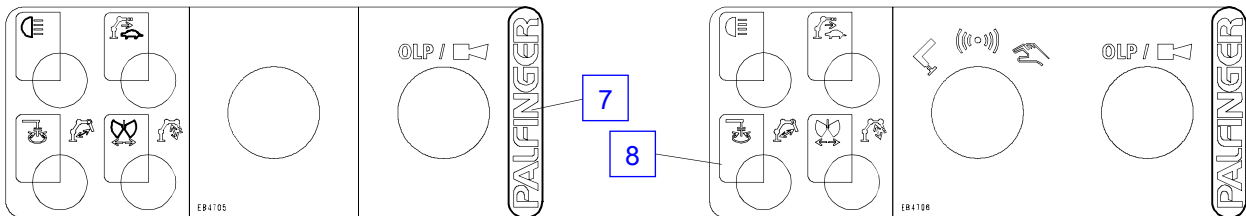
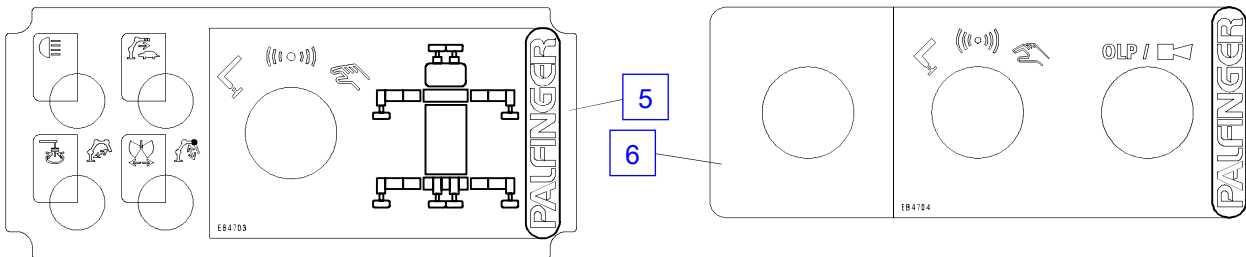
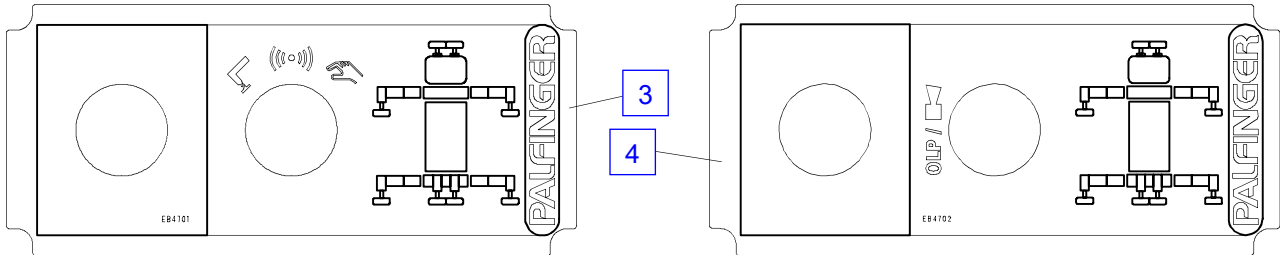
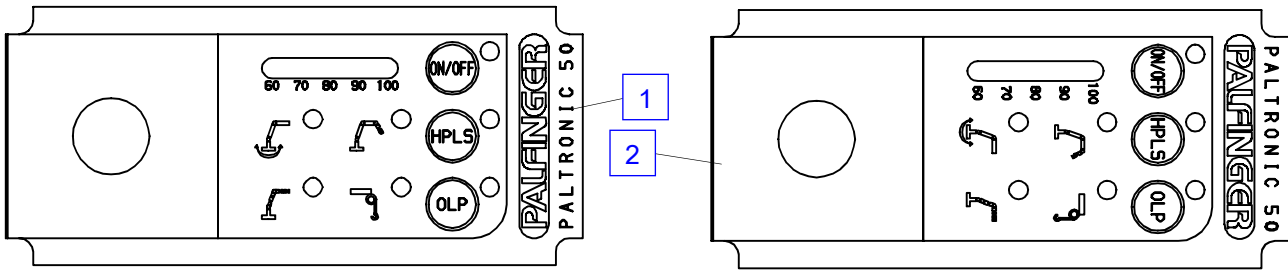
5



10

## Decals (3)

| No. | Spare part | Qty. | Description | Dimension |
|-----|------------|------|-------------|-----------|
| 1   | EB2468     | 1    | Symbol sign |           |
| 2   | EB3221     | 1    | Symbol sign |           |
| 3   | EB4701     | 1    | Symbol sign |           |
| 4   | EB4702     | 1    | Symbol sign |           |
| 5   | EB4703     | 1    | Symbol sign |           |
| 6   | EB4704     | 1    | Symbol sign |           |
| 7   | EB4705     | 1    | Symbol sign |           |
| 8   | EB4706     | 1    | Symbol sign |           |
| 9   | EB4707     | 1    | Symbol sign |           |
| 10  | EB4709     | 1    | Symbol sign |           |
| 11  | EB3431     | 1    | Symbol sign |           |
| 12  | EB4733     | 1    | Symbol sign |           |



Working light

| No. | Spare part | Qty. | Description         | Dimension             |
|-----|------------|------|---------------------|-----------------------|
| 1   | EEA 575    | 1    | Button              |                       |
| 2   | EEA 500    | 1    | Sub switch          |                       |
| 3   | EEA 499    | 1    | Housing             |                       |
| 4   | EEA 298    | 1    | Nut                 | PG 13.5               |
| 5   | EEA 510    | 1    | Fitting             | PG 13.5               |
| 6   | EEA 169    | 0    | Cable (metre goods) | 2x1 mm <sup>2</sup>   |
| 6   | EEA 170    | 0    | Cable (metre goods) | 2x1.5 mm <sup>2</sup> |
| 7   | EB2485     | 1    | Symbol sign         |                       |
| 8   | EK 084     | 0    | Mounting band       | l=360x7.5             |
| 8   | EK 165     | 0    | Cable tie           | l=215x4.8             |
| 9   | HXE2248    | 1    | Bearer              |                       |
| 10  | HA6884     | 1    | Bearer              |                       |
| 11  | HA7050     | 1    | Bearer              | L0441.3xB0025xS005    |
| 12  | EEA 242    | 1    | Headlight           | 12/24 VDC             |
|     | EEA 243    | 1    | Spare lamp/light    | 24V 100W              |
|     | EEA3507    | 1    | Spare lamp/light    | 12V 50W               |
| 12  | EEA 243    | 1    | Spare lamp/light    | 24V 100W              |
| 12  | EEA3507    | 1    | Spare lamp/light    | 12V 50W               |
| 13  | EZ 934     | 1    | Screen              |                       |
| 14  | EB3902     | 1    | Symbol sign         |                       |
| 15  | EB3903     | 1    | Symbol sign         |                       |
| 16  | EEA5407    | 1    | Headlight           | Power Beam 3000       |
|     | EEA5044    | 1    | Plug, cpl.          |                       |
|     | EEA14722   | 1    | Plug (2-pole)       |                       |
| 17  | HA11802    | 1    | Bearer              | L0109xB0100xS005      |
| 18  | EK 003     | 2    | Washer              | D 8.4 ISO7089         |
| 19  | ES 264     | 2    | Screw               | M8x16 ISO4762- 8.8    |
| 20  | EEA11204   | 1    | Headlight24         | 24 VDC                |
|     | EEA5044    | 1    | Plug, cpl.          |                       |
|     | EEA14722   | 1    | Plug (2-pole)       |                       |
|     | EEA11504   | 1    | Spare lamp/light    | H3 24V 70W            |
| 20  | EEA11088   | 1    | Headlight12         | 12 VDC                |
|     | EEA5044    | 1    | Plug, cpl.          |                       |
|     | EEA14722   | 1    | Plug (2-pole)       |                       |
|     | EEA11503   | 1    | Spare lamp/light    | H3 12V 55W            |
| 21  | HA11466    | 1    | Bearer              |                       |

