

Spare Parts Catalogue

PK 34002 SH

(S407-SK-D)

Valid for serial number

100162220

First Edition: 07/2010

Edition: 04/2024

EN

PALFINGER AG
Lamprechtshausener Bundesstraße 8
5101 Bergheim / Austria
www.palfinger.com

Preface

This catalogue of spare parts is based on latest stages of product design and development.

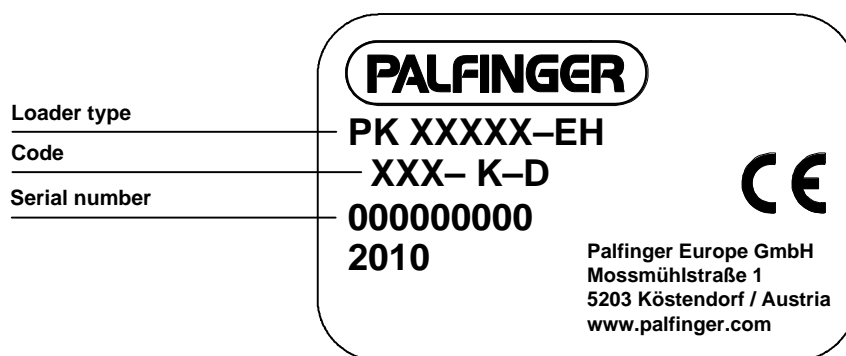
If you have maintained and serviced the technically matured equipment purchased from us in accordance with our instructions, there will scarcely be any need to consult this spares catalogue.

Should, in spite of this, the occasion arise to order spares, we would kindly ask you to state precise details as given in the catalogue, (please refer to "INFORMATION ON THE ORDERING OF SPARE PARTS") so as to avoid confusion.

We reserve the right to make design modifications.

Information on the ordering of spare parts

- To supply you with the correct parts in the shortest possible time it is necessary to inform us about following details:
- Loader type, code and serial number (look identification plate)
 - Spare parts number
 - Required quantity of spare parts



(-->123456789)	Valid to crane number		
(123456789-->)	Valid from crane number		
(1-16)	consists out of position 1-16		
(+20)	with position 20		
Page-A	Control valve side		
Page-B	Counter control side		
ABST	Support	R	without extension box
		R0	One side extension box
		R1	Both side extension box
		R2	Both side extension box - extended
		R3	Extension box telescopic
		R4	Both side extension box - extended
		R.X	Both side extension box - hydraulic
		SR.	Support controllable from top seat
DPS+	Dual Power System Plus	FFST	Radio remote control
FERN	Remote control	PALF20	PALFINGER-PALCOM
FERT	Type - remote control	P2	PALFINGER-SCANRECO
		BMS2	HETRONIC
		P3	with display
GGSR	Control (reverse acting)	LKW	Mounting LKW
GRA	Type - crane Base	SAT	Semi-trailer installation
		EGG	Integrated base
HEC	Rear-stabilizer	HSTZY	Tiltable stabilizer
HEM	Rear module	HEM900	Rear module +900
HKONS	Top seat FFST	HK001	Standard seat
		HK002	Tiltable seat
		HK003	Seat with heater
		HK004	Folding seat with heater
HOST	Top seat - control	KL0	Linear lever control
		KK1	Cross lever control
HPLS	High Power Lifting System	EHPLS	High Power Lifting System
		SHPLS	Super High Power Lifting System
HSITZ	Top seat - standard	HS005	Tiltable seat
		HS012	Standard seat
HYA,PJHY	Hydraulic extensions	()	Configuration with one hydraulic extension boom
		A	Crane with 2 hydraulic extension booms
		B	Crane with 3 hydraulic extension booms
		C	Crane with 4 hydraulic extension booms
		D	Crane with 5 hydraulic extension booms
		E	Crane with 6 hydraulic extension booms
		F	Crane with 7 hydraulic extension booms
		G	Crane with 8 hydraulic extension booms
		H	Crane with 9 hydraulic extension booms
IKONS	Standing platform FFST	IK002	without IS001, with IG001
		IK004	with IS001,IG001
		IK006	with IS002,IG001
IG	Railing	IG001	3 port
		IG002	2 port
IS	Limitation of rotation (I)	IS001	Limitation of rotation over (I)
		IS002	Limitation of rotation, main boom over (I)
		IS003	Limitation of rotation over (FL)
ISC	Integrated Stability Control	ISC01	Support control +SHB
		HPSC	High Performance Stability Control
LHA	Crane hook	LHA03	25t with sleeve bearing
		LHA04	8t with sleeve bearing
		LHA06	15t with sleeve bearing
		LHA08	5,4t with sleeve bearing
		LHA09	11t with roller bearing
		LHA12	8t with roller bearing

Signs and symbols

LHV	Load holding valve	LHV...	see page 0.22
NOTAB	Emergency lowering device	NOT01	(NOTAB) Lifting cylinder
O	Overload protection	OSK	with lock cylinder
OELKU	Oil cooler	ÖLK01	Oil cooler 8.5kW mounted
		ÖLK02	Oil cooler 10.5kW, loose
		ÖLK03	Oil cooler 8.5kW, loose
		ÖLK04	Oil cooler 20kW mounted
		ÖLK05	Oil cooler 20kW, loose
		ÖLK07	Oil cooler 10.5kW mounted
		PT050	Paltronic 50
		PT150	Paltronic 150
PAL	Paltronic		
PJ	Fly-Jib		
PJHY	Hydraulic extensions	see (HYA)	
PJKSL	Hose-equipment (PJ)	J02	1 Auxiliary equipment
		J04	Auxiliary equipments2
PJV	Extension	see (V)	
PUMPE	Type - pump	PU002	Fixed displacement pump
		PU003	Variable displacement pump
RODRU	Rotator (...bar)		
S	Rope winch	SHE	with limiting switch - main boom
		SK	without limiting switch - outer boom
		SKE	with limiting switch - outer boom
		SHEK	Power link rope winch (hydraulic tiltable at main boom)
		GR__	Limit of rotation __ degree
SCH	Slew limitation	SHB01	with one pressure range
SHB	Slew angle dependent capacity limitation	SHB07	with 2 pressure ranges + jumper
		MULT11	Quick-coupling, crane
		MULT12	Quick-coupling,(PJ)
		MULT13	Quick-coupling, crane+(PJ)
SKUPP	Quick-coupling Multifaster	2	1 Auxiliary equipment - hose tray
		4	2 Auxiliary equipment - hose tray
SL	Hose-equipment	T2	1 Auxiliary equipment - hose drum
		T4	2 Auxiliary equipment - hose drum
		T2i	1 Auxiliary equipment - hose drum (inside)
		T4i	2 Auxiliary equipment - hose drum (inside)
SLVO	Preparation (SL)	VSL2	Preparation (SL) 1 auxiliary equipment
		VSL4	Preparation (SL) 2 auxiliary equipment
SONSL	Control valve section (SL)	SSZD	Brick grab Germany
		SSZT	Brick grab + deadman push button
		SCSTD	Type Scandinavian
SOSTZ	Stabilizer ram	STÜ01	Stabilizer ram -150 mm
		STÜ02	Stabilizer ram +100 mm
		STÜ03	Stabilizer ram -100 mm
STEIL	Boom angle monitoring system	STEIL1	Boom angle monitoring system
		STEIL2	Monitoring the steep position (PJ)
STG	Control - support	FL	Control valve - support
		FLZUS	Control valve - auxiliary support
		FFST4	remote controlled (4-elements)
		FFST8	remote controlled (8-elements)
		FFST12	remote controlled (12-elements)
		FFST14	remote controlled (14-elements)
STGA	Control - crane	FL	Floor control
		I	High stand platform
		H	Top seat
		NK	Emergency control - crane column
		NK2K	Emergency control - crane column, double circuit
STRAN	Rope winch, strand	1	1 strand
		2	2 strand
		4	4 strand
STT	Stabilizer plates	STD	Standard
STU	Hour meter	__	Extension __mm

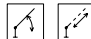
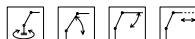

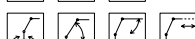
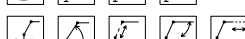
STZ	Stabilizer ram	STZO	Type without support
		STZS3	Stabilizer ram - rigid
		STZY3	Stabilizer ram - slewable
		STZY	Hydraulically tiltable stabilizer cylinder
		STZS3Y	Page-A=(STZS3) B=(STZY3)
		STZYS3	Page-A=(STZY3) B=(STZS3)
SWERK	Slewing system	1GETR	1-Slewing gear
		2GETR	2-Slewing gear
SWK	Max. rope winch capacity:	1,5 - 4,5	1,5t - 4,5t
TKKR	Crane tank		
TKLO	Auxiliary tank	TL__	Oil tank__l
TOT	Dead center	TOWI	Dead center over balance
		TOQU	Dead center over transverse spar
		SE	continuous
TRANS	Transport position monitoring	TRAN1	Armrest
		TRAN2	Main boom - horizontal level
TSCH,TSTB	Control valve	DN46	DINOIL DN46
		M4-12	REXROTH M4-12
		PVG32	DANFOSS PVG32
		RS210	NORDHYDRAULIK RS210
		RS220	NORDHYDRAULIK RS220
		RSQ240	NORDHYDRAULIK RSQ240
		SDM081	WALVOIL SDM081
		VDM07	SALAMI VDM07
V,PJV	Extension	V1()	1 Extension by (HYA ())
		V1A	1 Extension by (HYA A)
		V1B	1 Extension by (HYA B)
		V1C	1 Extension by (HYA C)
		V1D	1 Extension by (HYA D)
		V1E	1 Extension by (HYA E)
		V1F	1 Extension by (HYA F)
		V1G	1 Extension by (HYA G)
		V1H	1 Extension by (HYA H)
		V2()	2 Extensions by (HYA ())
		V2A	2 Extensions by (HYA A)
		V2B	2 Extensions by (HYA B)
		V2C	2 Extensions by (HYA C)
		V2D	2 Extensions by (HYA D)
		V2E	2 Extensions by (HYA E)
		V2F	2 Extensions by (HYA F)
		V2G	2 Extensions by (HYA G)
		V2H	2 Extensions by (HYA H)
		V3()	3 Extensions by (HYA ())
		V3A	3 Extensions by (HYA A)
		V3B	3 Extensions by (HYA B)
		V3C	3 Extensions by (HYA C)
		V3D	3 Extensions by (HYA D)
		V3E	3 Extensions by (HYA E)
		V3F	3 Extensions by (HYA F)
		V3G	3 Extensions by (HYA G)
		V3H	3 Extensions by (HYA H)
LHV	Load holding valve	LHV14	
		LHV18	
		LHV19	
		LHV28	 Double-acting load holding valve
		LHV34	

Table of Contents

Page	
0	PREFACE
0.02	Preface-EN
0.20	Signs and symbols
0.21	Signs and symbols
0.22	Signs and symbols
0100	BASE
0100.01000-A	Base
0100.01001-A	Hose holder
0100.02000-A	Brackets
0100.03000-A	Brackets
0100.04000-A	Piping - control M4-12
0100.05000-A	Piping - control VDM07
0100.06100-A	Extension box R3X
0100.06102-A	Outrigger extension cylinder UP2910
0100.06110-A	Hose tray R3X
0100.06230-A	Tread roller HPSC
0100.06231-A	Tread roller
0100.07100-B	Extension - box piping R3X,VDM07
0100.07111-A	Pretension valve UV423
0100.08200-B	Support STZYS3,STZY A-side
0100.08201-B	Stabilizer ram UP2864
0100.08300-A	Support STZS3Y,STZY B-side
0100.08301-A	Stabilizer ram UP2865
0100.08302-B	Lifting cylinder UP2863
0100.08303-B	Pipes - support STZY
0100.08306-A	Lighting
0100.09000-A	Stabilizer plates
0100.10000-A	Oil cooler 10,5kW
0100.11000-A	Piping - oil cooler
0100.11100-A	Piping - oil tank
0200	CONTROL - SUPPORT VDM07
0200.01000-B	Control valve VDM07
0201.01000-A	Control valve - details
0220	CONTROL - CRANE M4-12
0220.01000-B	Control valve M4-12 (PU003)
0221.01000-A	Inlet element PU003
0221.02000-A	Separate element
0221.03100-A	Separate element
0221.03201-A	Separate element
0221.04000-A	End element
0221.05000-A	Cable harness
0300	SAFETY DEVICES
0300.01000-A	Support control HPSC
0300.01001-A	Rope length control

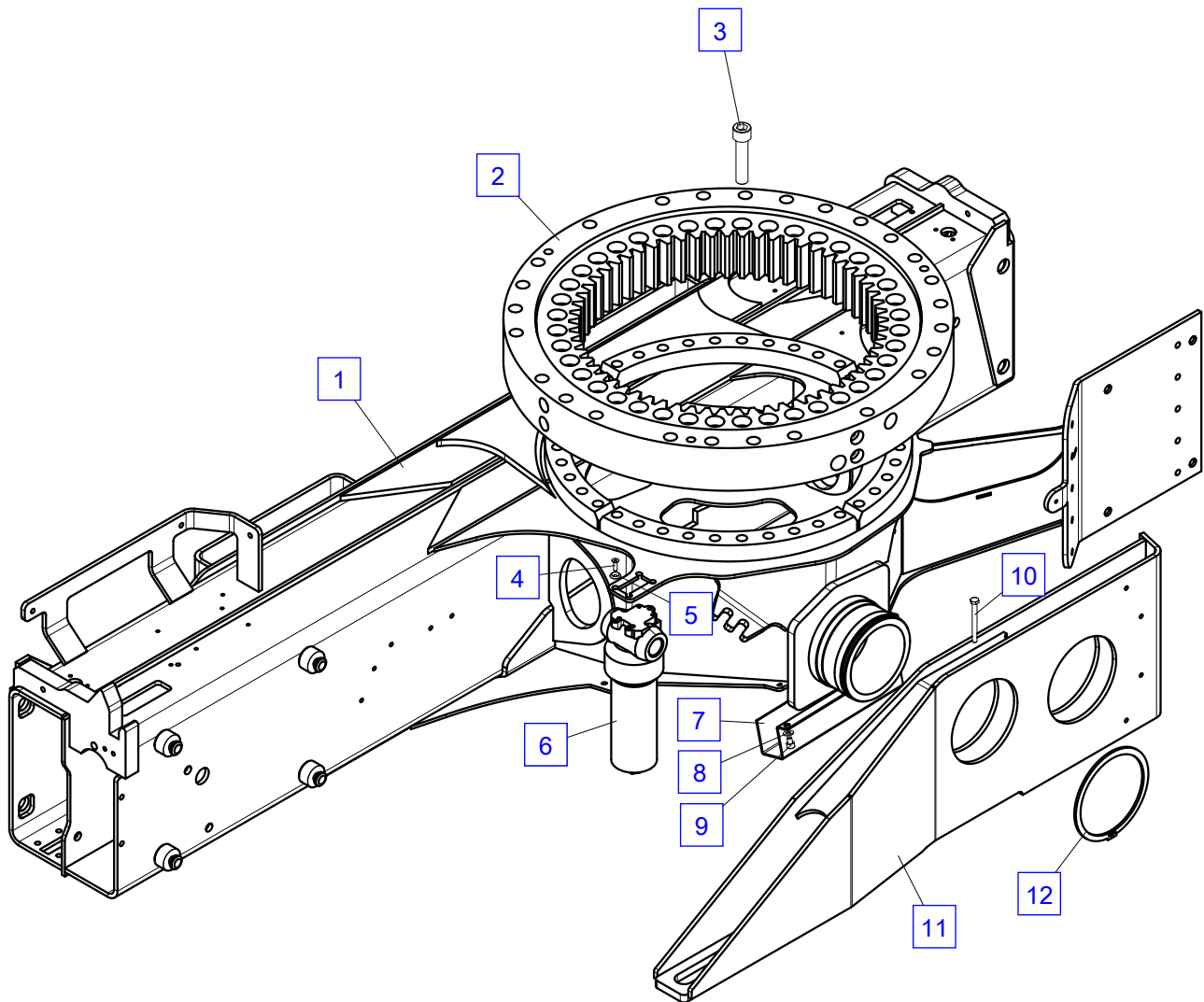
Page	
0300.03000-A	Encoder
0301	TRANSPORT POSITION MONITORING
0301.02100-A	Transport position monitoring TRAN2,5
0400	CRANE COLUMN
0400.01000-A	Crane column
0400.01001-A	Lifting cylinder - details
0400.02000-A	Piping - lifting cylinder
0400.02001-A	Load holding valve UV503-390,UV503-405
0400.03000-A	Rotary distributor
0400.04000-A	Slewing drive 1GETR
0400.05000-A	Piping - slewing drive 1GETR
0400.05100-B	Piping - slewing drive 2GETR
0400.06000-A	Piping - lube system 1GETR
0400.07000-A	Bracket NK (M4-12)
0400.07101-A	Cover HXE3514
0400.08000-A	Piping - standard M4-12
0400.08100-A	Piping - auxiliary equipments M4-12
0500	MAIN BOOM
0500.01000-A	Main boom
0500.01001-A	Outer boom ram - details
0500.01002-A	Encoder
0500.02000-C	Piping - outer boom cylinder
0500.02001-A	Load holding valve UV505-390,UV539-405
0600	OUTER BOOM
0600.01000-A	Outer boom
0600.01001-A	Hose clip
0600.01002-A	Attachments - Clamp housing
0600.02100-A	Working light
0700	BOOM EXTENSIONS
0700.01000-A	Extension boom 1 + piping
0700.01001-A	Boom extensions ram 1,2 details
0700.02100-A	Extension boom 2 + piping
0700.03000-A	Extension boom 3 + piping
0700.03001-A	Boom extensions ram 3,4,5 details
0710	HOSE TRAYS
0710.01000-A	Outer boom
0710.02200-A	Hose tray 2
0710.03000-A	Hose tray 3
0710.06001-A	Quick-coupling
0710.07000-A	Workman basket / SRC
1000	MISCELLANEOUS
1000.01000-A	Miscellaneous

Table of Contents

Page	
1000.02000-A	Crane hook
1000.03000-A	Decals (1)
1000.04000-A	Decals (2)
1000.05000-A	Decals (PK34002-SH)
1200	ACCESSORIES TKKR,TL,OLK
1211	OIL TANK TKKR
1211.00100	Oil tank KTK031-BA
1213	OIL COOLER
1213.07000	Oil cooler BKA56,BKA57
1213.07000A	Oil cooler BKA63-12(24)V
1213.07200A	Oil cooler EP2074+00005(6)
7000	REMOTE CONTROL
0720	REMOTE CONTROL P3
0720.00110	Portable control large
0720.00130	Transmitter - details
0720.01000	Receiver
0720.02000	Cable harness
0720.02001	Cable harness
0720.02002	Cable harness
0720.02003	Cable harness
0720.02100	Plug
0720.03000	Accessories
0720.04000	Decals
8300	ELECTRICAL PARTS
8310	HOUSING
8310.00100	Housing base
8310.00210	Terminal PT150
8310.00300	Cover
8310.00310	Housing top
8310.00320	Housing top ISC (175 mm)
8310.00321	Housing top ISC (250 mm)
8310.00340	Housing top PT150
8310.00400	Connection box (1)
8310.00401	Connection box (2)
8310.00410	Housing
8320	ATTACHMENT BOARD
8320.00200	Attachment board, cpl. PT150
8320.00201	Fastener Attachment board
8340	ADAPTOR, SWITCH
8340.00100	Packing gland
8340.00200	Switch 16 mm

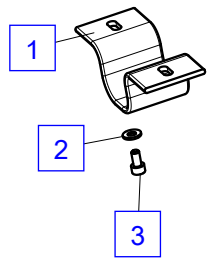
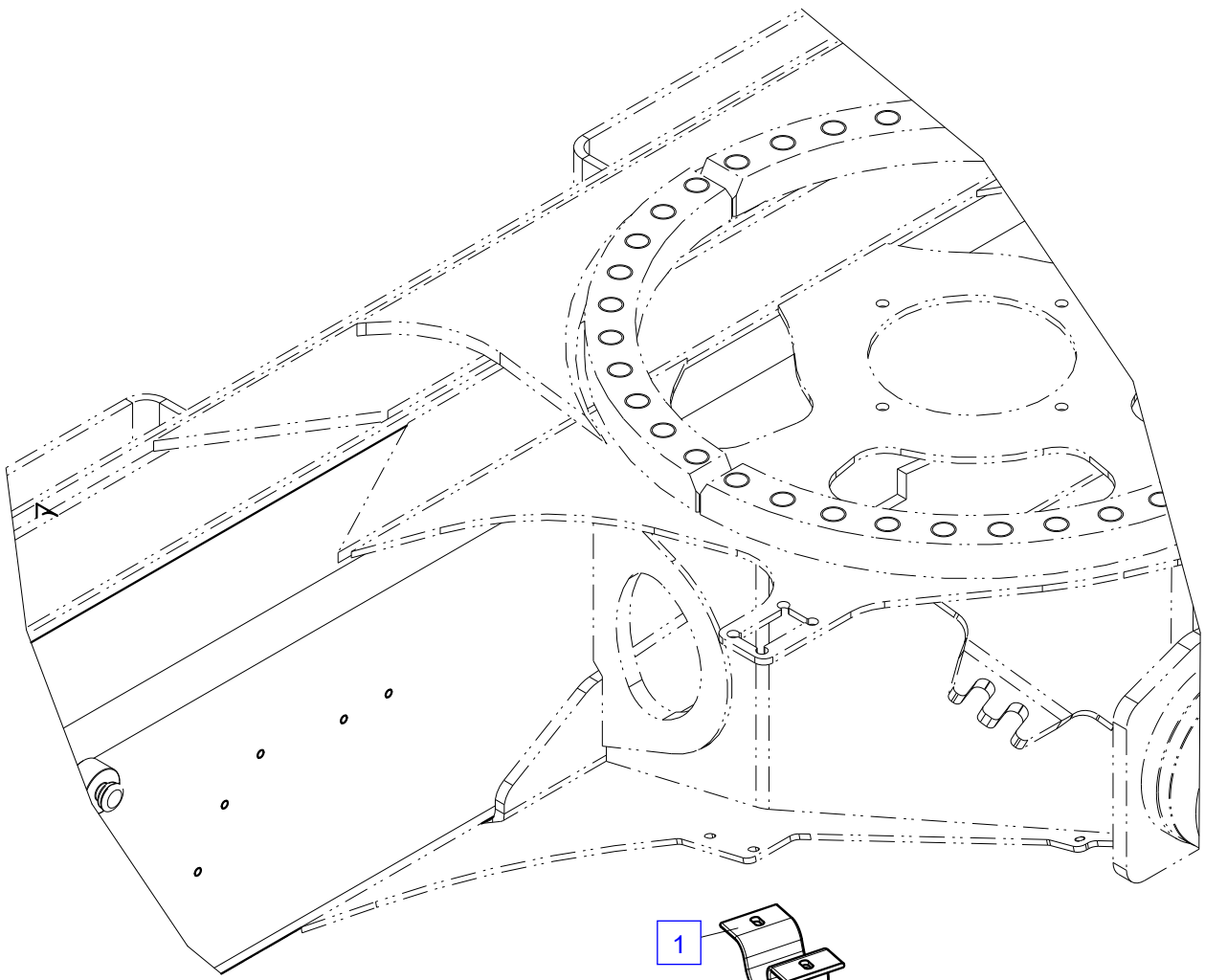
Base

No.	Spare part	Qty.	Description	Dimension
1	S407G30SA+00001	1	Crane Base (Standard colour RAL 2002)	
2	ELW 253A	1	Slewring	
3	ES1427	40	Screw	M 20x90 ISO4762 10.9
4	ES1329	4	Screw	M6x20 ISO14581- 8.8
5	EK 567	4	Washer	D 6
6	EA4924	1	High pressure filter	
	TD1553	1	Seal kit	
	EA4925	1	Filter element	
7	HA10024	1	Protection plate	L0295.5xB0186.5xS002
8	EK 003	2	Washer	D 8.4 ISO7089
9	ES 858	2	Screw	M 8x10 ISO4762- 8.8
10	ES 479	1	Screw	M 8x80 DIN 933
11	S407G35SA+00001	1	Balance (Standard colour RAL 2002)	
12	EQ 039	1	Circlip	D 155 DIN 471



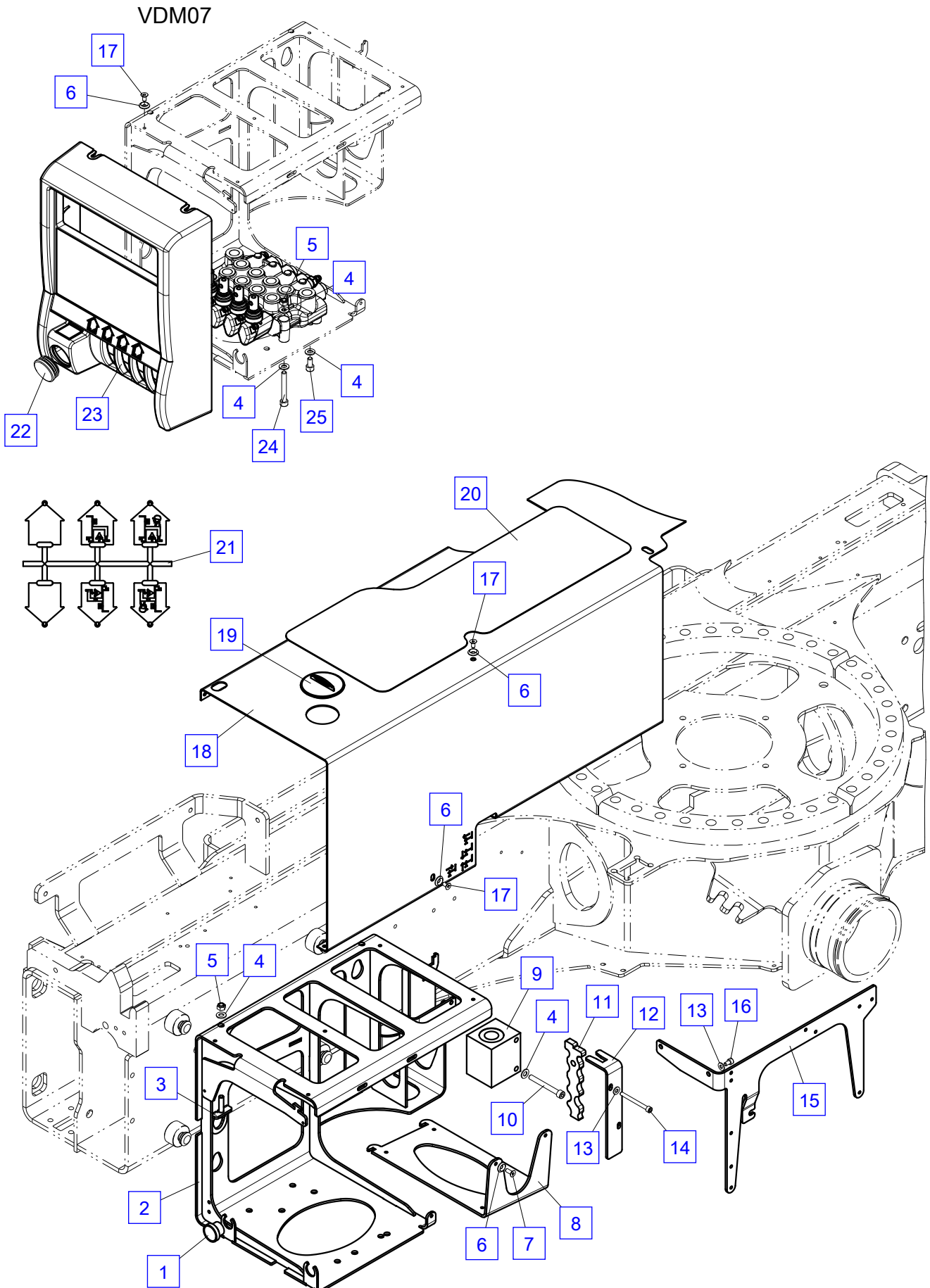
Hose holder

No.	Spare part	Qty.	Description	Dimension
1	HA14831	1	Hose holder	
2	EK 043	2	Washer	D 6.4 DIN 134
3	ES1150	2	Screw	M 6x12 - 8.8 - ISO4762



Brackets

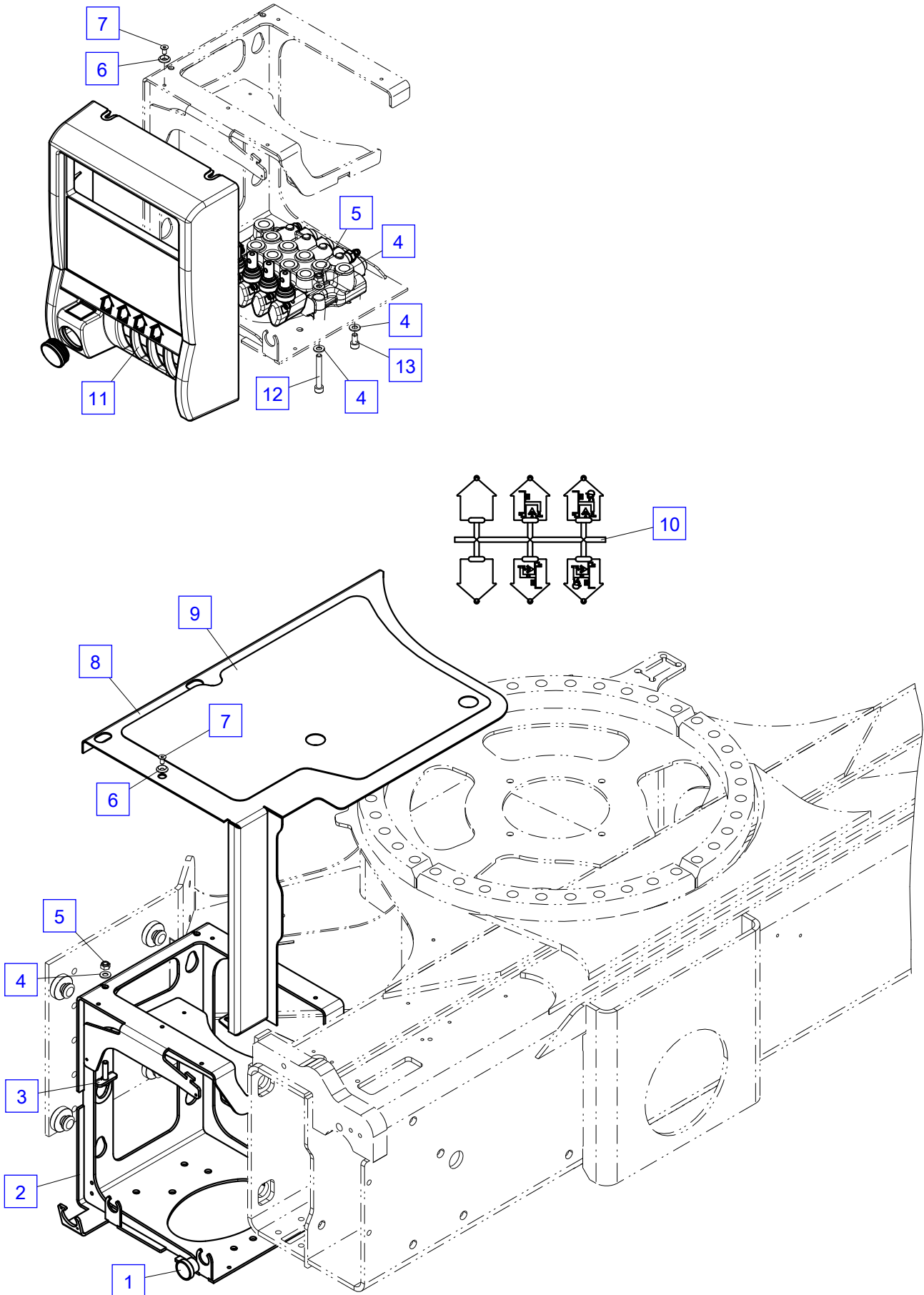
No.	Spare part	Qty.	Description	Dimension
1	EZ2318	2	Locking mechanism	
2	HXE4425	1	Bracket	
3	HXE1684	2	Bearer	
4	EK 003	8	Washer	D 8.4 ISO7089
5	EM 026	2	Nut	M 8 DIN 985
6	EK 567	6	Washer	D 6
7	ES 418	2	Screw	M6x16 ISO14581- 8.8
8	HA9341	1	Bearer	
9	HLA1081	1	Connection block	
10	ES 059	2	Screw	M 8x70 DIN 912
11	HT10457	1	Clamping ledge	
12	HA9342	1	Attaching bracket	
13	EK 043	2	Washer	D 6.4 DIN 134
14	ES1387	2	Screw	M 6x65 ISO4762- 8.8
15	HA12031	1	Bearer	
16	ES 414	2	Screw	M6x10 ISO4762 - 8.8
17	ES 419	6	Screw	M6x12 ISO14581- 8.8
18	HA10254	1	Cover	
19	EK1045	1	Cover	
20	EZ3299	1	Anti slide covering	
21	EK3598	1	Symbol sign Support	
22	EK 876	1	Plug	DI 38-40 mm
23	HXE3270	1	Cover	
24	ES 048	2	Screw	M 8x60 DIN 912
25	ES 264	1	Screw	M8x16 ISO4762- 8.8



Brackets

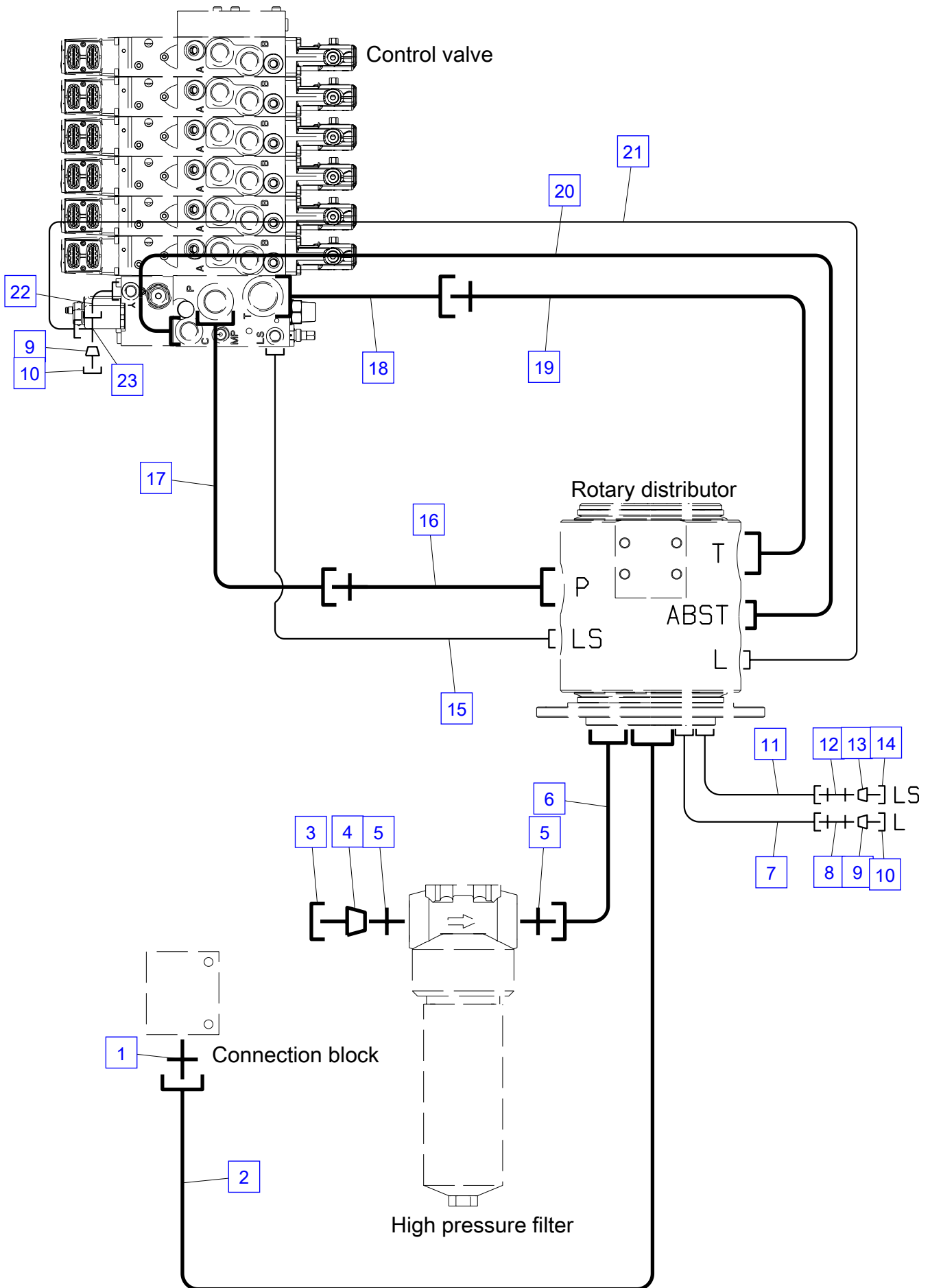
No.	Spare part	Qty.	Description	Dimension
1	EZ2318	2	Locking mechanism	
2	HXE3201	1	Bracket	
3	HXE1684	2	Bearer	
4	EK 003	6	Washer	D 8.4 ISO7089
5	EM 026	2	Nut	M 8 DIN 985
6	EK 567	7	Washer	D 6
7	ES 419	7	Screw	M6x12 ISO14581- 8.8
8	HXE3718	1	Cover for oil tank	
9	EZ3298	1	Anti slide covering	
10	EK3598	1	Symbol sign Support	
11	HXE3270	1	Cover	
12	ES 048	2	Screw	M 8x60 DIN 912
13	ES 264	1	Screw	M8x16 ISO4762- 8.8

VDM07



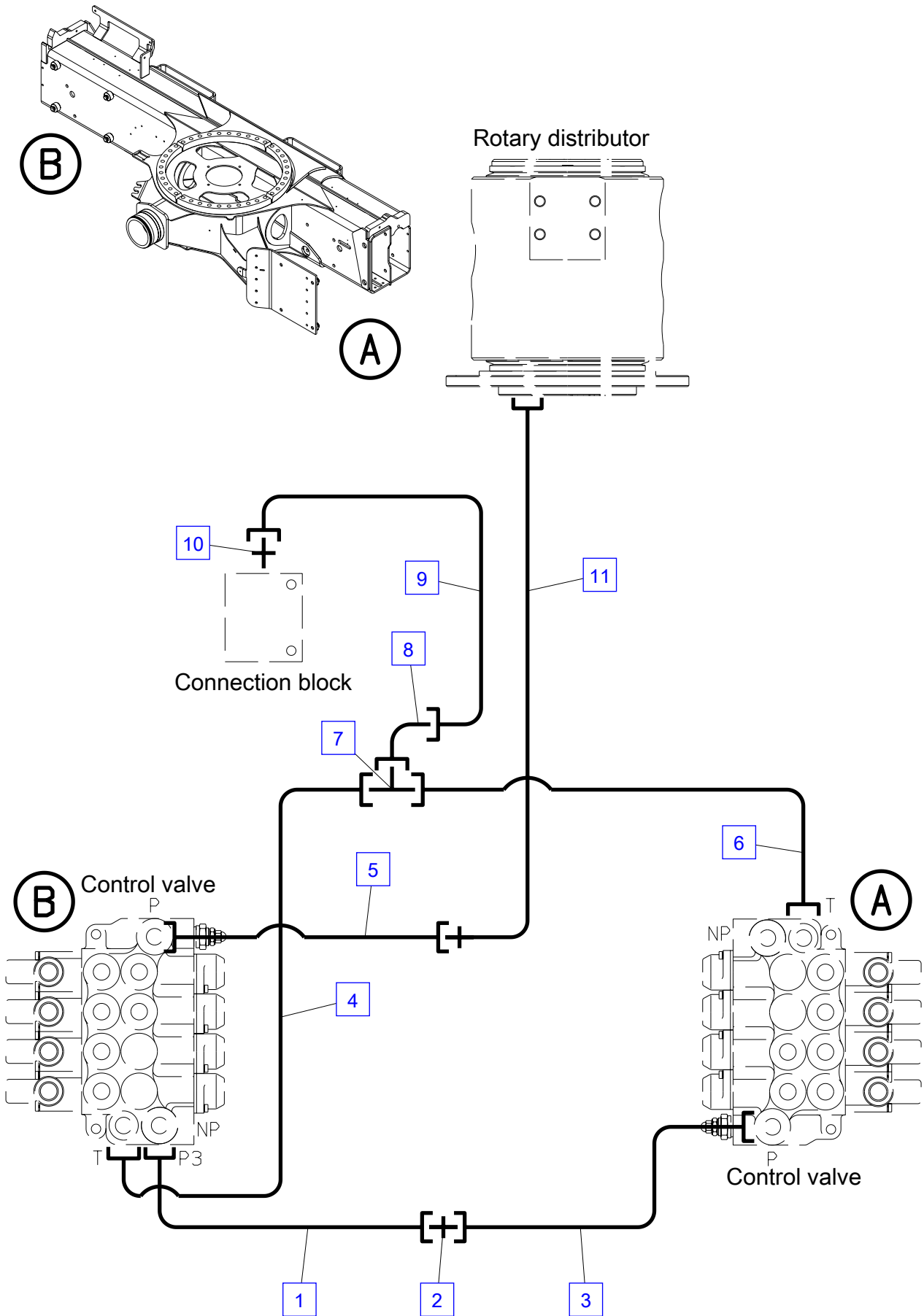
Piping - control M4-12

No.	Spare part	Qty.	Description	Dimension
1	EA 053	1	Fitting	GE 28 L R1/1"
2	EH4870	1	Hose	NW 25x1000
3	EA1087	1	Fitting	M 25-S
4	EA1117	1	Blind plug	VKA 25
5	EA 085	2	Fitting	GE 25 S R1/1"
6	EH4755	1	Hose	NW 20x1100
7	EH6511	1	Hose	NW 10x1100
8	HLA2225	1	Bulkhead fitting	SV 10-L
9	EA 507	1	Locking bolt	BUZ 10-L
10	EA 287	1	Nut	M 10-L
11	EH2003	1	Hose	NW 6x1100
12	EA1108	1	Bulkhead fitting	SV 8S
13	EA 443	1	Blind plug	VKA 8
14	EA 266M	1	Nut	M 8S
15	EH5096	1	Hose	NW 6x1600
16	EH5633	1	Hose	NW 20x760
17	HLR11259	1	Pipe	D 25
18	HLR10988	1	Pipe	D 28
19	EH5634	1	Hose	NW 25x680
20	EH1225	1	Hose	NW 12x1470
21	EH6510	1	Hose	NW 10x1500
22	EA 278	1	Angle fitting	EW 10 L
23	EA 531	1	L-Coupling	EL 10 L



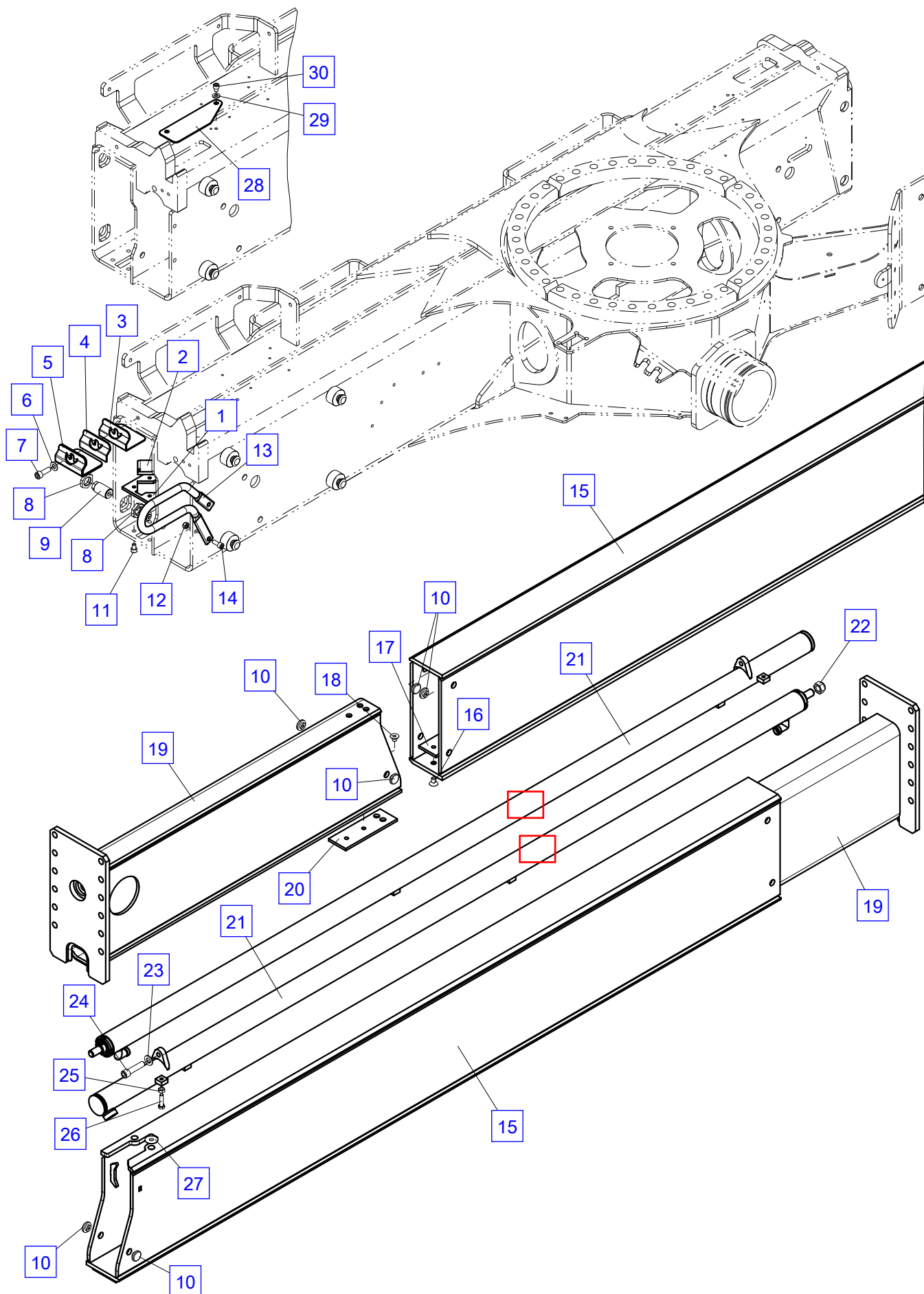
Piping - control VDM07

No.	Spare part	Qty.	Description	Dimension
1	HLR13741	1	Pipe	D 16
2	EA 496	1	Fitting	G 16 S
3	HLR13742	1	Pipe	D 16
4	HLR13739	1	Pipe	D 18
5	HLR13743	1	Pipe	D 16
6	HLR13740	1	Pipe	D 18
7	EA 252	1	Fitting	T 18-L
8	EA 237	1	Angle fitting	EW 18 L
9	EH1070	1	Hose	NW 16x500
10	EA 243	1	Fitting	GE 18 L R3/4"
11	EH3265	1	Hose	NW 12x880



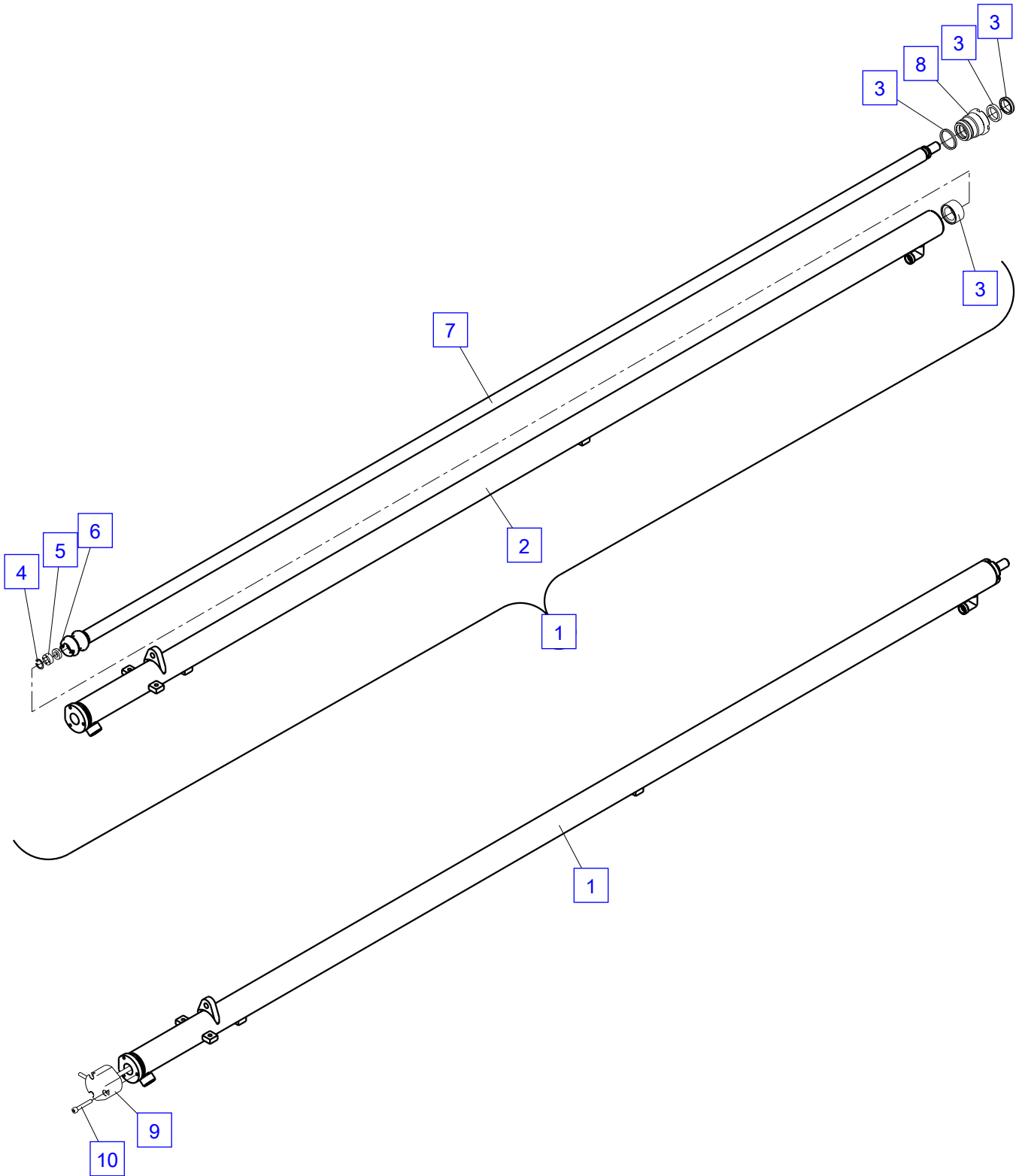
Extension box R3X

No.	Spare part	Qty.	Description	Dimension
1	HTR1192	2	Stop buffer	L0157 B0088 S0006
2	HF 834	2	Guide block	8 mm l=55 mm
2	HF 835	2	Guide block	9 mm l=55 mm
2	HF 836	2	Guide block	10 mm l=55 mm
3	HA7198	2	Sliding guide	2 mm
4	HA7199	2	Stiffening plate for HA7198	
5	HA7276	2	Stiffening plate	4 mm
5	HA7705	2	Sliding guide	3 mm
6	EK 007	2	Washer	D 10.5 ISO7089
7	ES 024	2	Screw	M 10x16 ISO4762-10.9
8	EM 540	8	Nut	M 24x1.5 DIN 80705
9	HIG 428A	4	Guide	L=46 mm
10	HF 047	1	Guide	2 mm
10	HF 050	1	Guide	3 mm
10	HF 108	1	Guide	4 mm
10	HF 007	1	Guide	5 mm
10	HF 795	1	Guide	6 mm
10	HF 345	1	Guide	7 mm
10	HF 796	1	Guide	8 mm
10	HF2384	1	Guide	10 mm
11	ES 374	8	Screw	M 8x12 ISO4762- 8.8
12	EM 026	2	Nut	M 8 DIN 985
13	HA8836	1	Protection stirrup	
14	ES 265	2	Screw	M 8x20 ISO4762- 8.8
15	S407A30-A	2	Extension box	l=2120 mm
16	ES 142	4	Screw	M 10x12 ISO14581- 8.8
17	HTR1278	2	Guide block	6 mm
17	HTR1246	2	Guide block	8 mm
18	ES 314	4	Screw	M 10x16 ISO14581- 8.8
19	S427A31-A	2	Extension box	
20	HTR3871	2	Guide block	6 mm
20	HTR3872	2	Guide block	8 mm
21	UP2910	2	Outrigger extension cylinder HPSC see page 0100.06102-A	
22	EM 031	2	Nut	M 16 DIN 985
23	EK 301	2	Washer	D 12 ISO7089-A2-HV140
24	ES 458	2	Screw	M 12x50 ISO4762-10.9
25	EM 003	4	Nut	M 8 DIN 934-8
26	ES 013	4	Screw	M 8x30 DIN 933
27	HF 608A	1	Guide	1,5 mm
27	HF 575A	1	Guide	2 mm
27	HIA 130A	1	Guide	3 mm
27	HF 576A	1	Guide	4 mm
27	HF 577A	1	Guide	5 mm
27	HF 578A	1	Guide	6 mm
27	HF 727A	1	Guide	7 mm
27	HF 728A	1	Guide	8 mm
27	HF 899A	1	Guide	9 mm
27	HF 900A	1	Guide	10 mm
28	HT11147	2	Cover plate	L0188xB0058xS002
29	EK 003	4	Washer	D 8.4 ISO7089
30	ES 858	4	Screw	M 8x10 ISO4762- 8.8



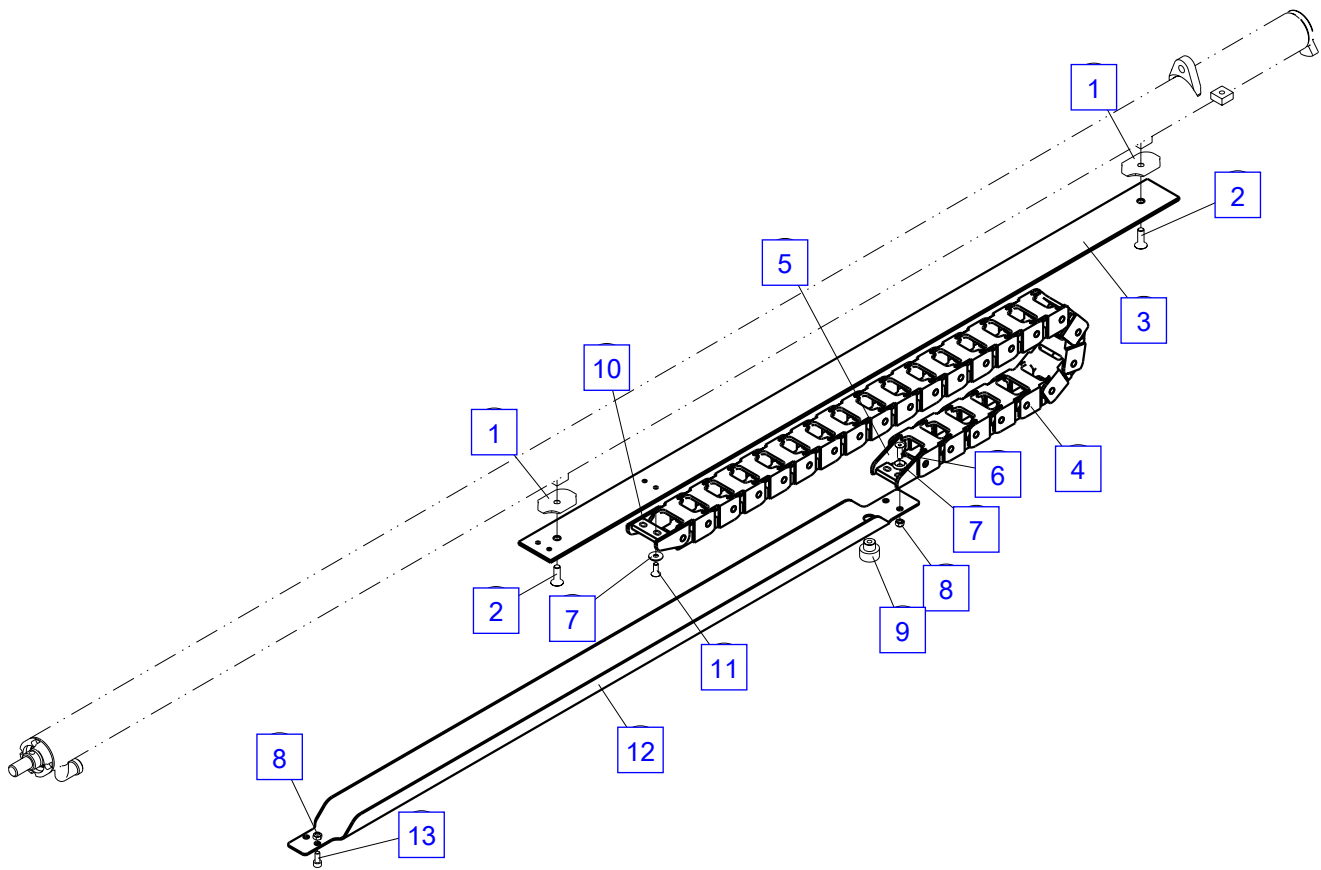
Outrigger extension cylinder UP2910

No.	Spare part	Qty.	Description	Dimension
1	UP2910	1	Outrigger extension cylinder HPSC	
2	HY2123	1	Cylinder tube	
3	TD 526A	1	Seal kit	
4	EQ1487M	1	Circlip	D 20 DIN 472
5	EZ4848	1	Solenoid	
6	EK2610	1	Spacer	
7	HSK1876	1	Piston rod	
8	HV 437A	1	Cylinder nut	M044x1.5 d025xL052
9	EEA10419	1	Linear position sensor CAN-Open	Measuring range 2150 mm Cable 5 m
	TD1778	1	Seal kit	
10	ES 574	3	Screw	M 6x40 ISO4762-A2-70



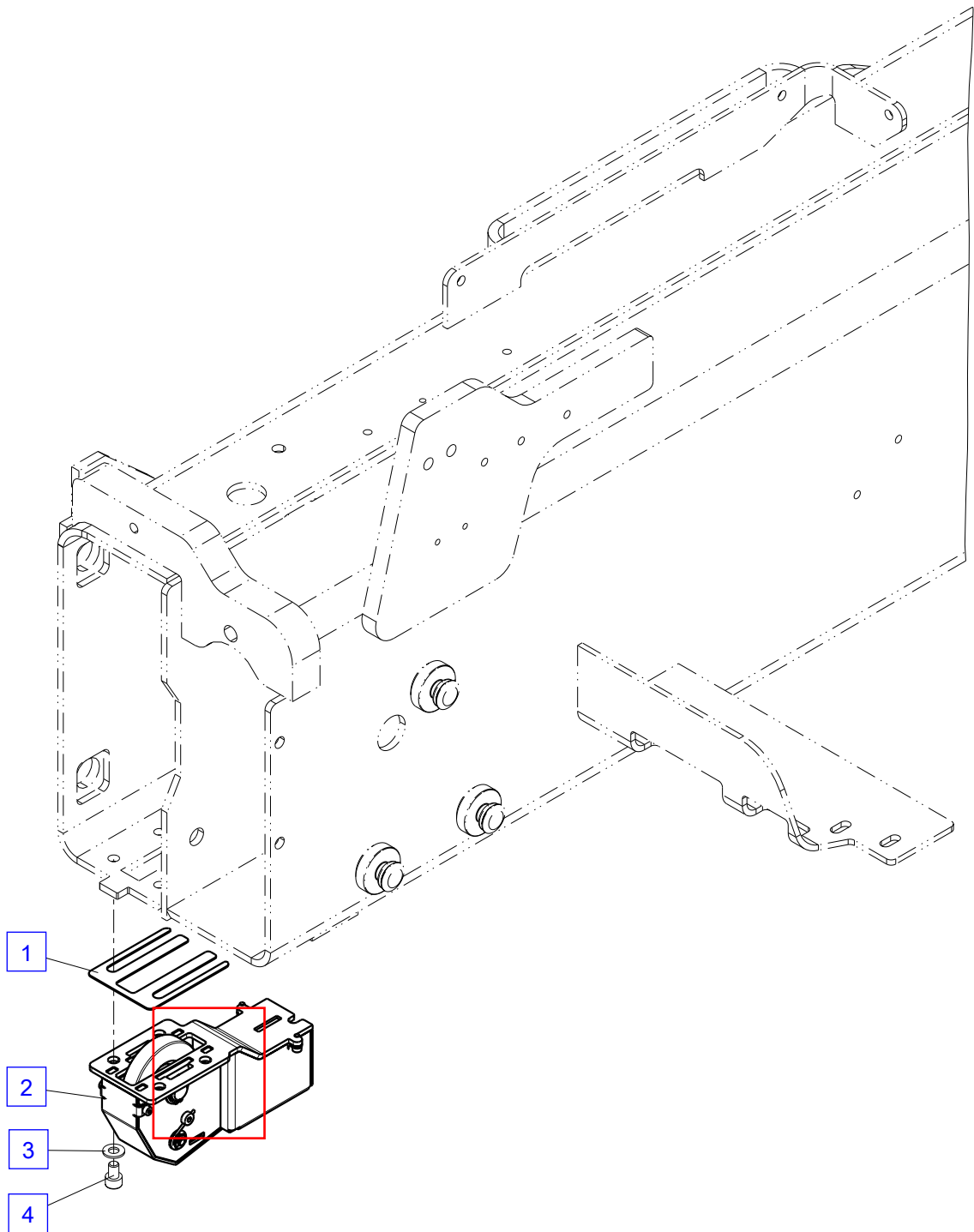
Hose tray R3X

No.	Spare part	Qty.	Description	Dimension
1	HX 611	2	Clip	L0058.2xB0039.1 xS003.0
2	ES 297	2	Screw	M 8x25 ISO14581- 8.8
3	HTR 976	1	Fastening plate	
4	EZ 437	28	Chain link	
5	EZ1368	1	Special single part	
6	ES1329	2	Screw	M6x20 ISO14581- 8.8
7	EK 567	4	Washer	D 6
8	EM 014	4	Nut	DIN 985-8 M 6
9	HF 281	1	Guide	13.5 mm
10	EZ1367	1	Special single part	
11	ES 418	2	Screw	M6x16 ISO14581- 8.8
12	HA2598	1	Hose tray	
13	ES1146	2	Screw	M 6x14 ISO4762- 8.8



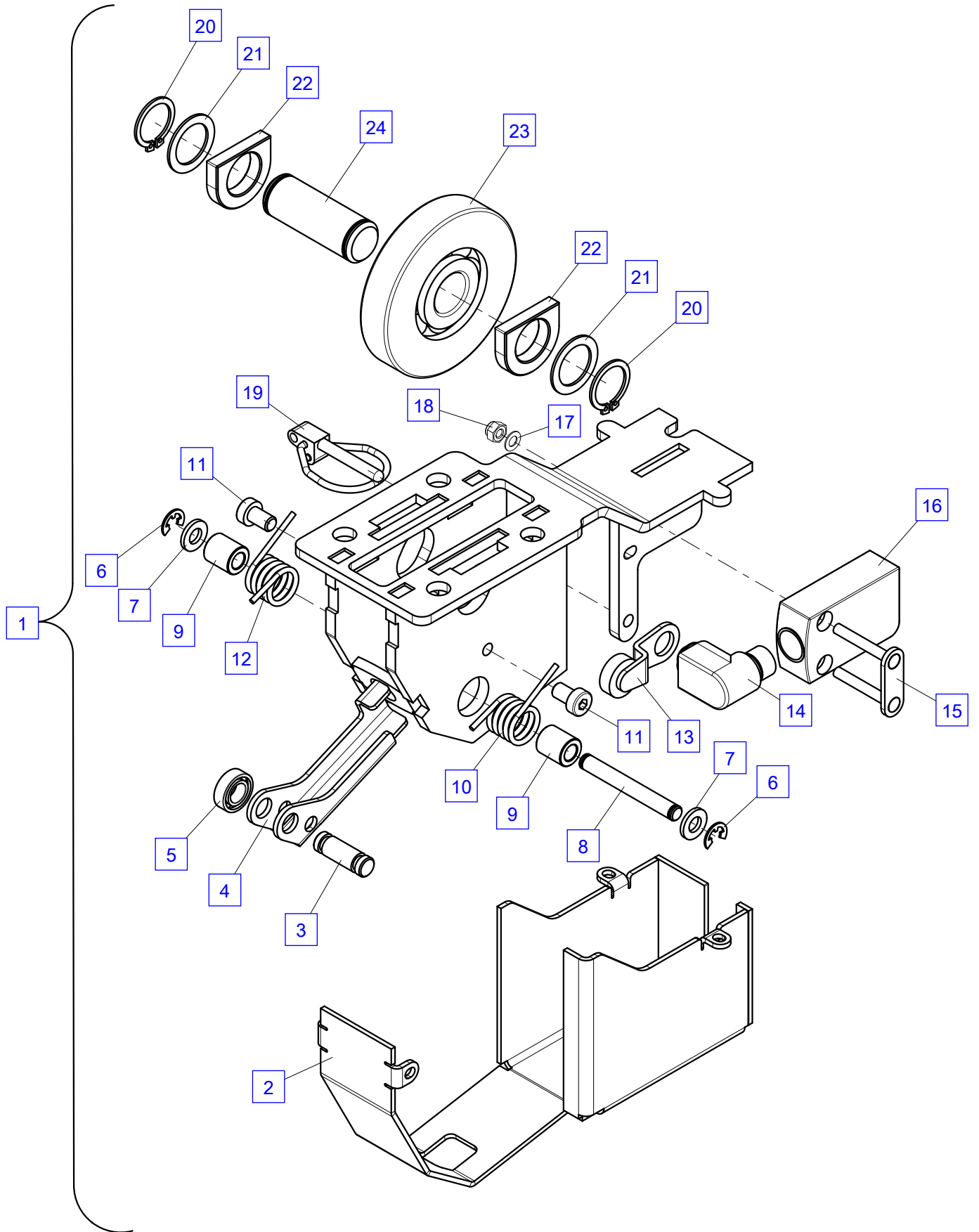
Tread roller HPSC

No.	Spare part	Qty.	Description	Dimension
1	HT8878	1	Distance plate	1 mm
1	HT8879	1	Distance plate	2 mm
1	HT8880	1	Distance plate	4 mm
1	HT11247	1	Distance plate	0,5 mm
2	HXE3554	1	Tread roller see page 0100.06231-A	D=70 mm
3	EK 003	4	Washer	D 8.4 ISO7089
4	ES 374	4	Screw	M 8x12 ISO4762- 8.8



Tread roller

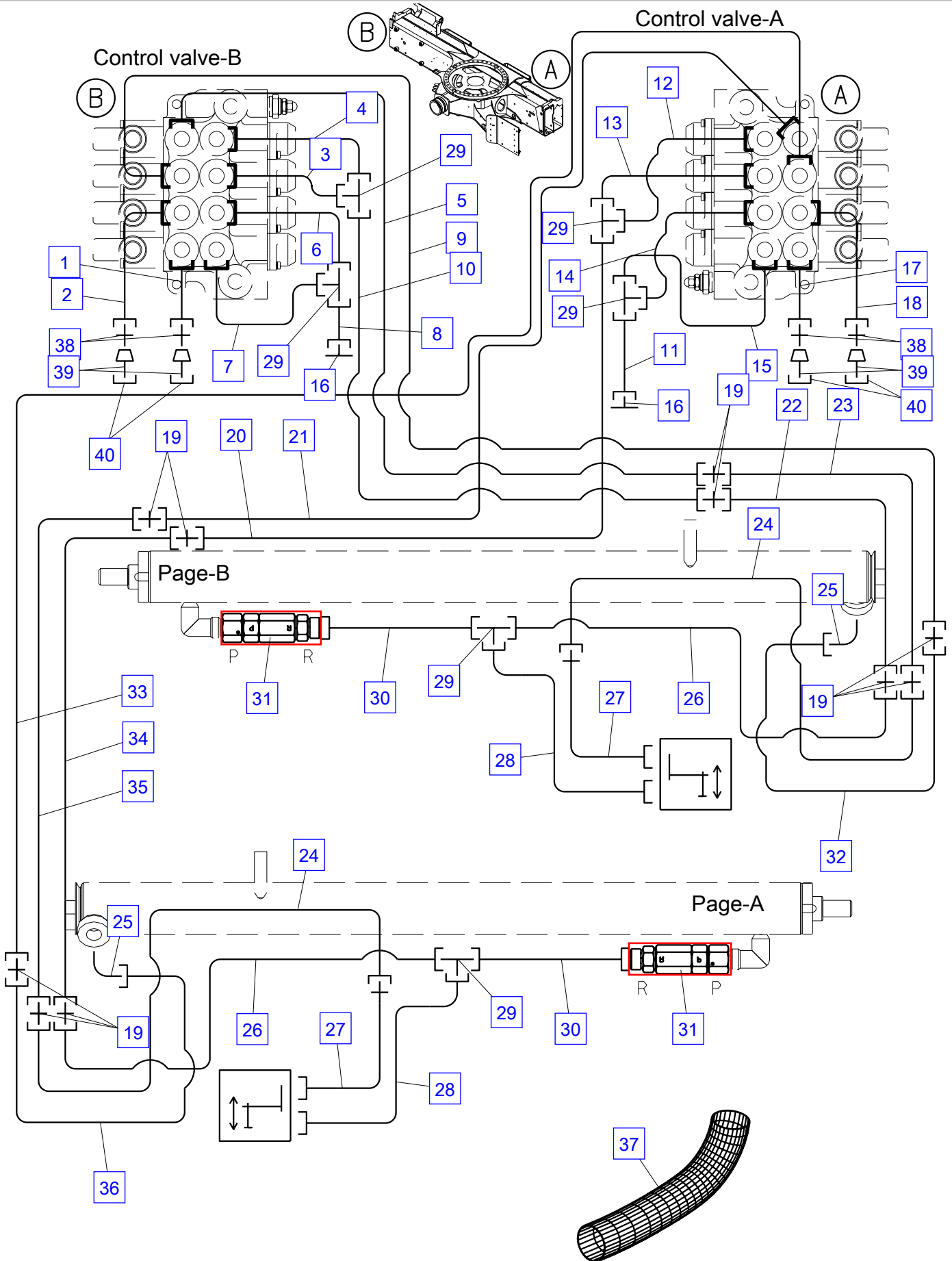
No.	Spare part	Qty.	Description	Dimension
1	HXE3554	1	Tread roller	D=70 mm
2	HA4842	1	Cover	
3	HI3316	2	Pin	
4	HT8881	1	Lever	
5	ELW 266	1	Ball bearing	d008xD016x05
6	EQ 052	2	Safety washer	D 5 DIN 6799
7	EK 190	2	Washer	DIN134-06-ST
8	HI3317	1	Pin	
9	HBS3177	2	Bushing	
10	EF 192	1	Spring	
11	ES 879	2	Screw	M 6x10 - 8.8 - DIN 7984
12	EF 193	1	Spring	
13	EEA3987	1	Roller lever Plastic	l=42.5 mm, b=5 mm
14	EEA3986A	1	Drive	
15	HXE5232	1	Mounting bracket	
16	EEA3942	1	Limit switch	
16	EEA9885	1	Connection element with cable	5 m
17	EK 124	2	Washer	ISO7092 - A2 -140HV
18	EM 154	2	Nut	DIN 985 M4 CL8 ZB
19	EQ 285	1	Split pin	
20	EQ 873	2	Circlip	D 17 DIN 471
21	EK 689	2	Spacer	D 17/1 DIN 988
22	HT8991	2	Metal plate	
23	ELW 269	1	Ball bearing	D=70 mm
24	HI3315	1	Pin	



Extension - box piping R3X,VDM07

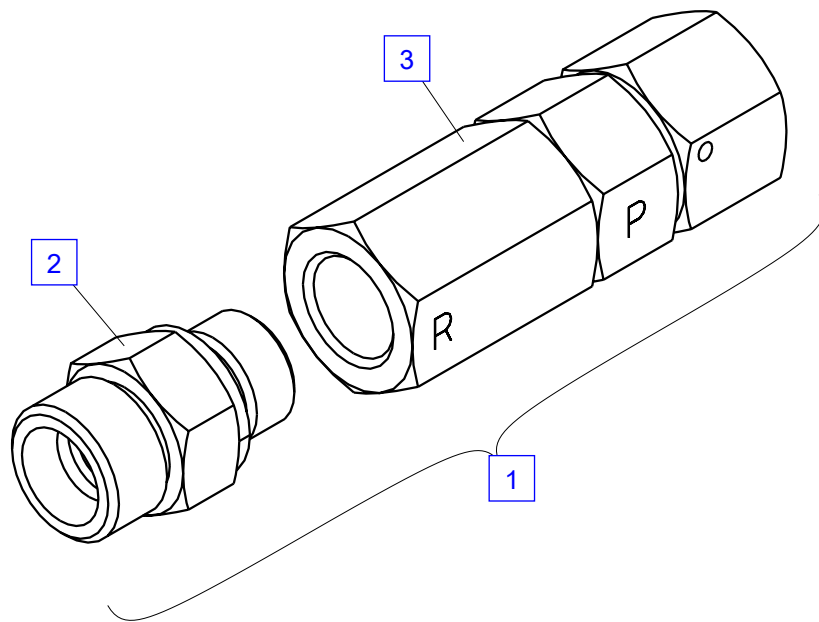
No.	Spare part	Qty.	Description	Dimension
1	HLR13784	1	Pipe	D 12
2	HLR13785	1	Pipe	D 12
3	HLR15060	1	Pipe	D 12
4	HLR15059	1	Pipe	D 12
5	HLR13734	1	Pipe	D 12
6	HLR15066	1	Pipe	D 12
7	HLR15058	1	Pipe	D 12
8	HLR15057	1	Pipe	D 12
9	HLR13735	1	Pipe	D 12
10	HLR15065	1	Pipe	D 12
11	HLR15068	1	Pipe	D 12
12	HLR15062	1	Pipe	D 12
13	HLR15061	1	Pipe	D 12
14	HLR15064	1	Pipe	D 12
15	HLR15063	1	Pipe	D 12
16	EA 774	2	Plug	ROV 12-S
17	HLR13788	1	Pipe	D 12
18	HLR13789	1	Pipe	D 12
19	EA 204	10	Fitting	G 12 S
20	HLR13736	1	Pipe	D 12
21	HLR13737	1	Pipe	D 12
22	HLR13744	1	Pipe	D 12
23	HLR13745	1	Pipe	D 12
24	HLR 9324	2	Pipe	D 12
25	EA1749	2	Adaptor	WEE 12S 3/8"
26	HLR 9323	2	Pipe	D 12
27	EH 286	2	Hose	NW 8x4000
28	EH5073	3	Hose	NW 8x4000
29	EA 195	6	Fitting	T 12-S
30	HLR 9322	2	Pipe	D 12
31	UV423	2	Pretension valve, cpl. see page 0100.07111-A	80 bar
32	HLR13746	1	Pipe	D 12
33	HLR13738	1	Pipe	D 12
34	HLR13747	1	Pipe	D 12
35	HLR13748	1	Pipe	D 12
36	HLR13749	1	Pipe	D 12
37	EH1487	2	Protection hose Tilttable stabilizer	NW 50x750
38	EA2998	4	Fitting	GR 16/12S
39	EA 343	4	Blind plug	BUZ 16 S
40	EA 045	4	Nut	M 16-S - M 24x1,5

Extension - box piping R3X,VDM07



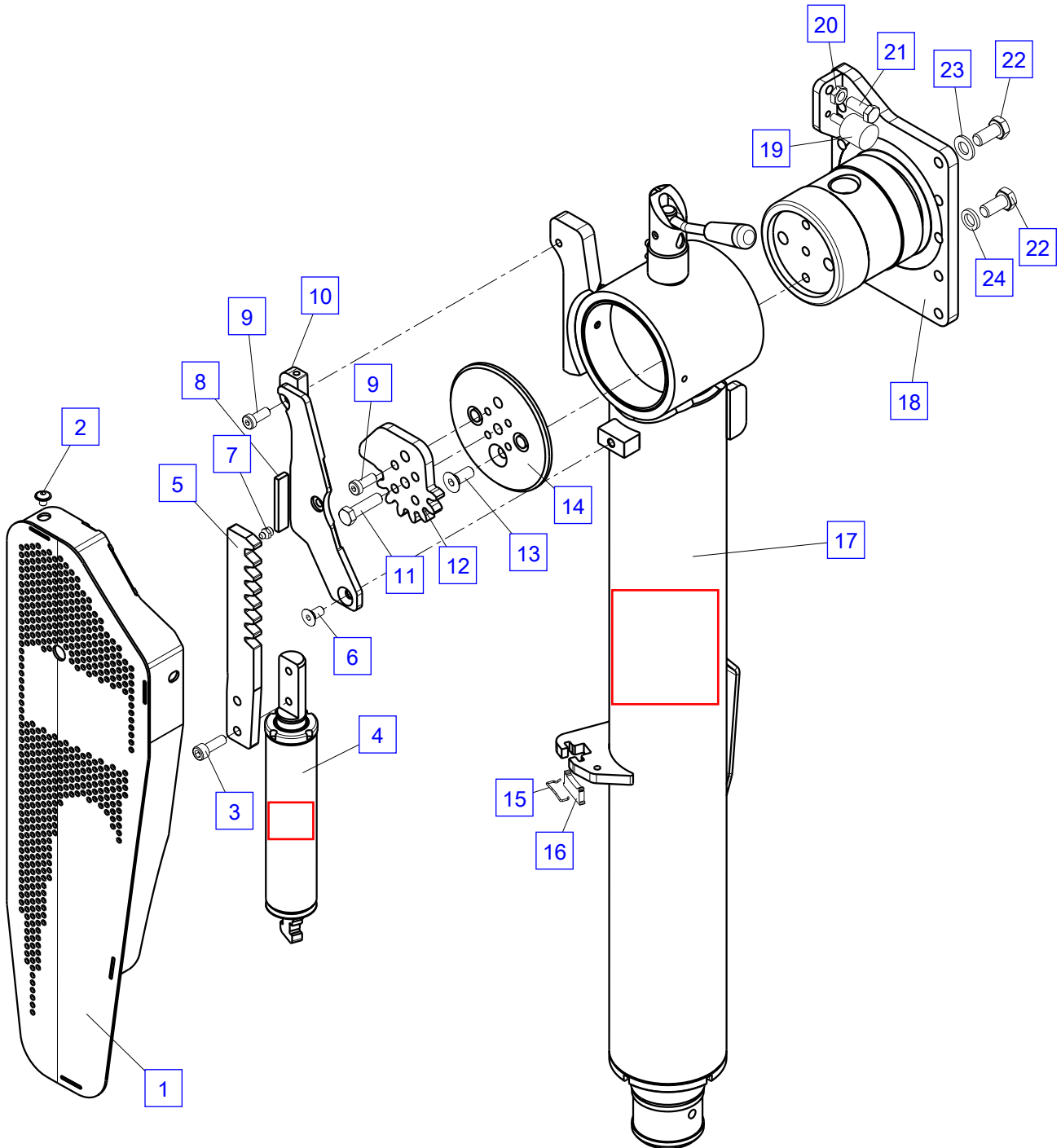
Pretension valve UV423

No.	Spare part	Qty.	Description	Dimension
1	UV423	1	Pretension valve, cpl.	80 bar
2	EA 039	1	Fitting	GE 12S R3/8"-ED
3	EV4107/080	1	Pretension valve	



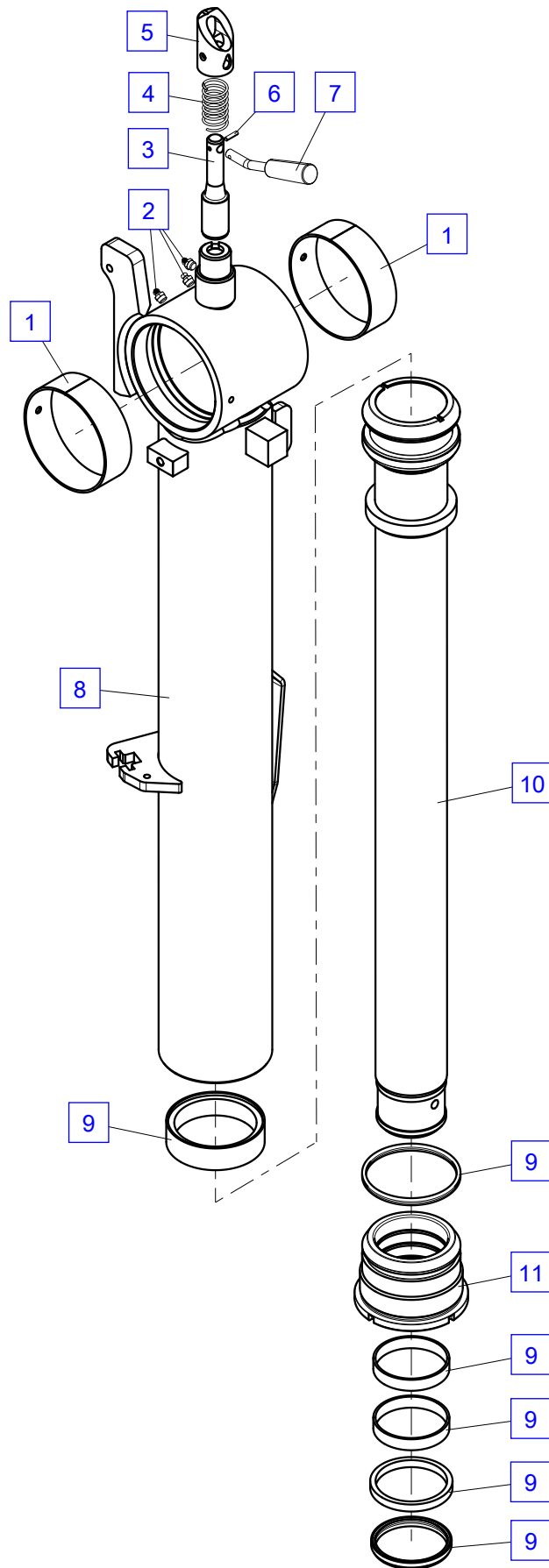
Support STZYS3,STZY A-side

No.	Spare part	Qty.	Description	Dimension
1	HXE4269	1	Cover	
2	ES2566	3	Screw	M 08x10 ISO7380MF
3	ES 031	2	Screw	M 10x30 ISO4762-10.9
4	UP2863	1	Tilt cylinder see page 0100.08302-B	
5	HT10809	1	Rack	
6	ES 298	1	Screw	M 10x20 ISO14581- 8.8
7	EA 005	1	Grease nipple	M10x1 DIN71412
8	HF1816	1	Guide block	
9	ES 587	5	Screw	M 10x25 DIN7984
10	HXE4259	1	Bracket	
11	ES 844	2	Screw	M 12x45 DIN 931
12	HT10808	1	Gear wheel	
13	ES 227	1	Screw	M 12x30 DIN7991
14	HXE4258	1	Fastening plate	
15	EF 144	1	Spring	
16	HT1040	1	Bearer	L=42 B=19 S=6
17	UP2864	1	Stabilizer ram see page 0100.08201-B	
18	HXE4260	1	Stabilizer support	
19	EK1064	1	Stop buffer	30x30 mm
20	EM 086	1	Nut	M 12 DIN 936
21	ES1273	1	Screw	DIN933-M12x30-10.9
22	ES 415	10	Screw	M 14x30 DIN 933
23	EK 148	8	Washer	D 14 DIN 134
24	EK 588	2	Washer	D 14



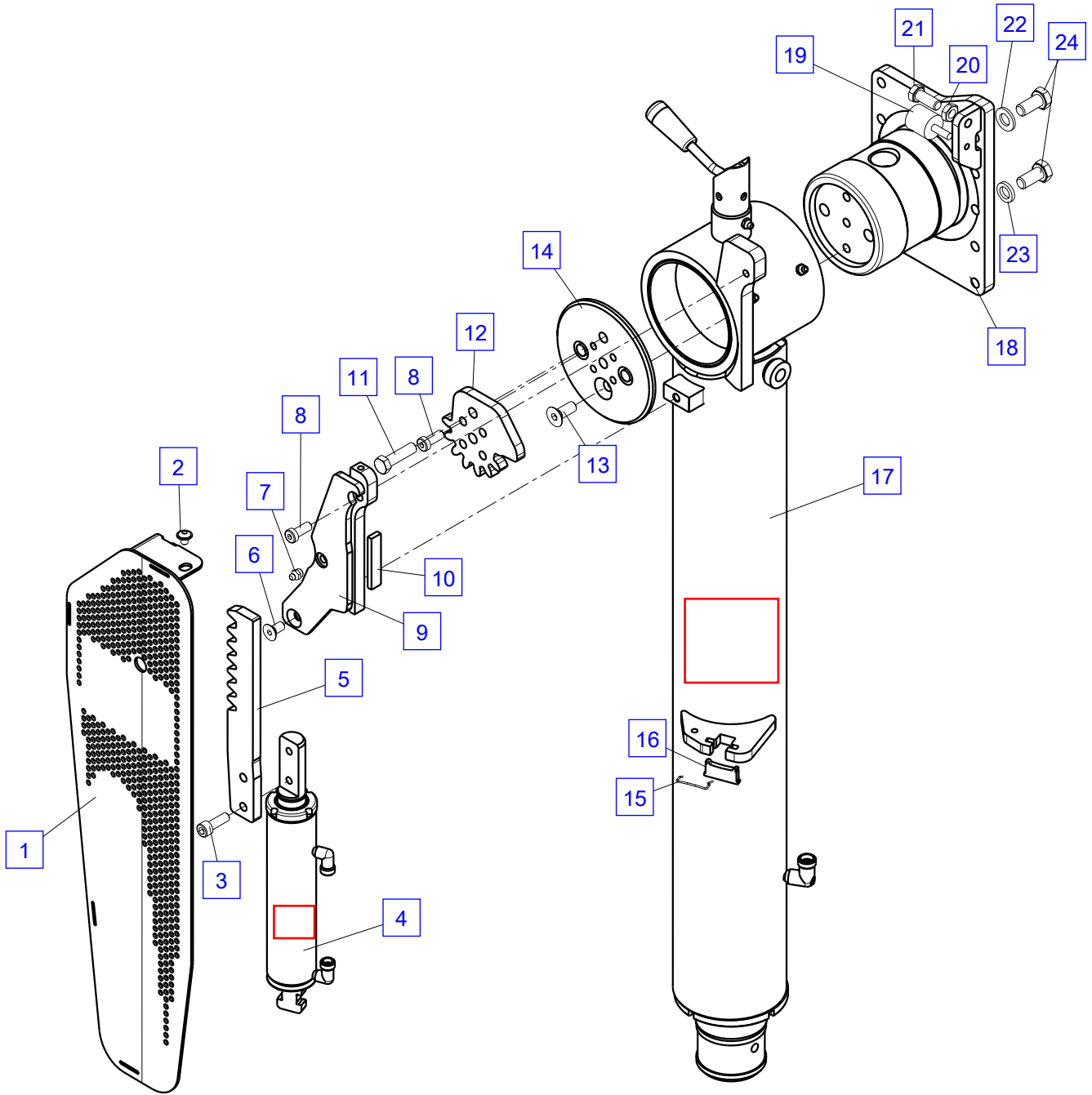
Stabilizer ram UP2864

No.	Spare part	Qty.	Description	Dimension
	UP2864	1	Stabilizer ram	
1	ELG 941	2	Bearing bush	
2	EA 005	3	Grease nipple	M10x1 DIN71412
3	HI2738	1	Pin	
4	EF 061	1	Pressure spring	D 24.2.5x60
5	HX 463	1	Bushing	
6	EQ 299	1	Adapter sleeve	D 4x18 DIN 1481
7	EZ6638	1	Hand lever	
8	HY2100	1	Cylinder tube	
9	TD 508A	1	Seal kit	
10	HSK1497A	1	Piston rod	
11	HV 389A	1	Cylinder nut	



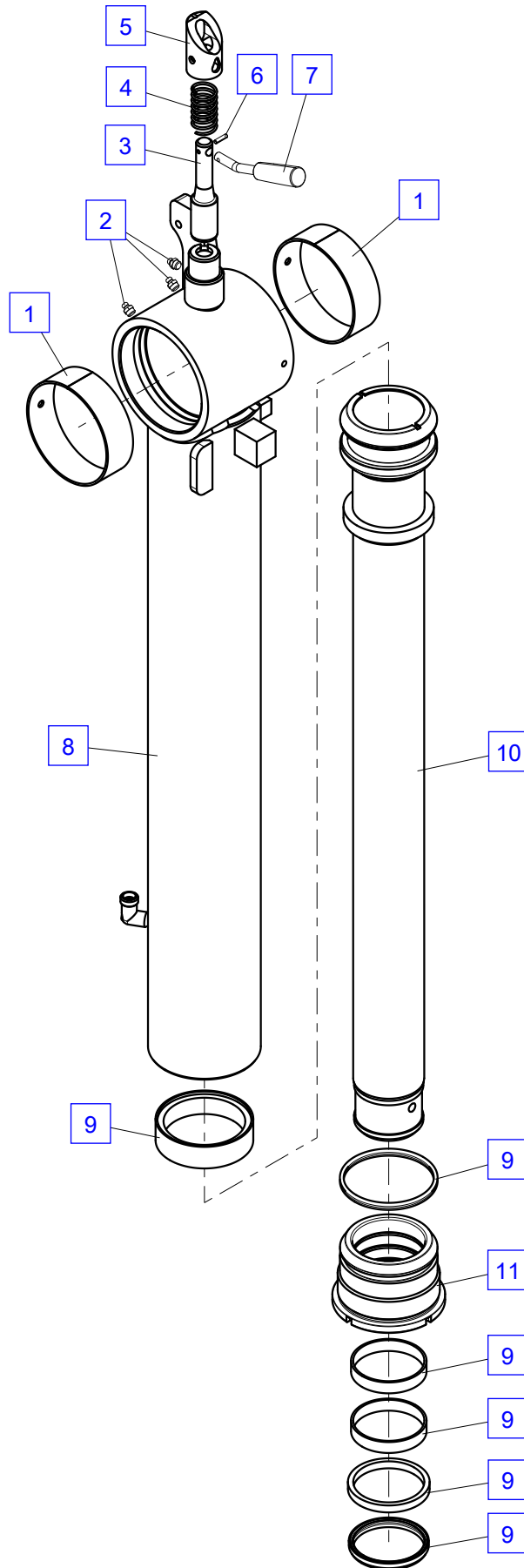
Support STZS3Y,STZY B-side

No.	Spare part	Qty.	Description	Dimension
1	HXE4270	1	Cover	
2	ES2566	3	Screw	M 08x10 ISO7380MF
3	ES 031	2	Screw	M 10x30 ISO4762-10.9
4	UP2863	1	Tilt cylinder see page 0100.08302-B	
5	HT10809	1	Rack	
6	ES 298	1	Screw	M 10x20 ISO14581- 8.8
7	EA 005	1	Grease nipple	M10x1 DIN71412
8	ES 587	5	Screw	M 10x25 DIN7984
9	HXE4289	1	Bracket	
10	HF1816	1	Guide block	
11	ES 844	2	Screw	M 12x45 DIN 931
12	HT10808	1	Gear wheel	
13	ES 227	1	Screw	M 12x30 DIN7991
14	HXE4258	1	Fastening plate	
15	EF 144	1	Spring	
16	HT1040	1	Bearer	L=42 B=19 S=6
17	UP2865	1	Stabilizer ram see page 0100.08301-A	l=1059 mm
18	HXE4261	1	Stabilizer support	
19	EK1064	1	Stop buffer	30x30 mm
20	EM 086	1	Nut	M 12 DIN 936
21	ES1273	1	Screw	DIN933-M12x30-10.9
22	EK 148	8	Washer	D 14 DIN 134
23	EK 588	2	Washer	D 14
24	ES 415	10	Screw	M 14x30 DIN 933



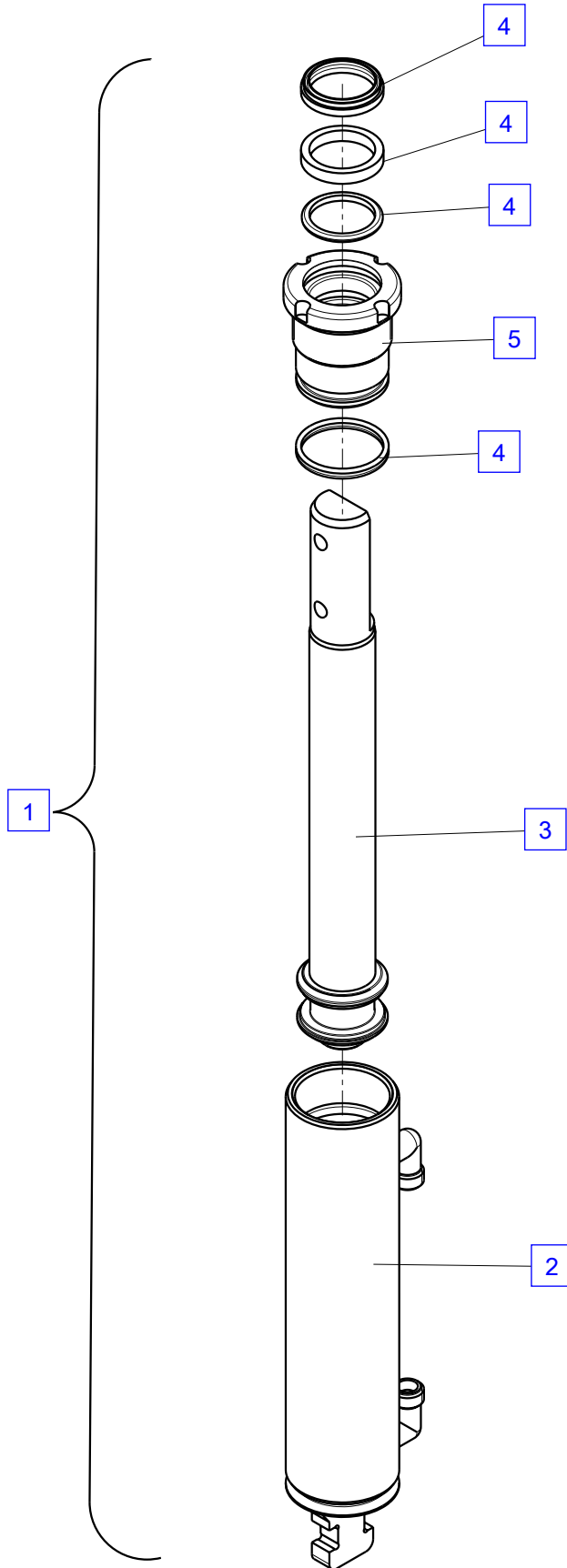
Stabilizer ram UP2865

No.	Spare part	Qty.	Description	Dimension
	UP2865	1	Stabilizer ram	l=1059 mm
1	ELG 941	2	Bearing bush	
2	EA 005	3	Grease nipple	M10x1 DIN71412
3	HI2738	1	Pin	
4	EF 061	1	Pressure spring	D 24.2.5x60
5	HX 463	1	Bushing	
6	EQ 299	1	Adapter sleeve	D 4x18 DIN 1481
7	EZ6638	1	Hand lever	
8	HY2101	1	Cylinder tube	
9	TD 508A	1	Seal kit	
10	HSK1497A	1	Piston rod	
11	HV 389A	1	Cylinder nut	



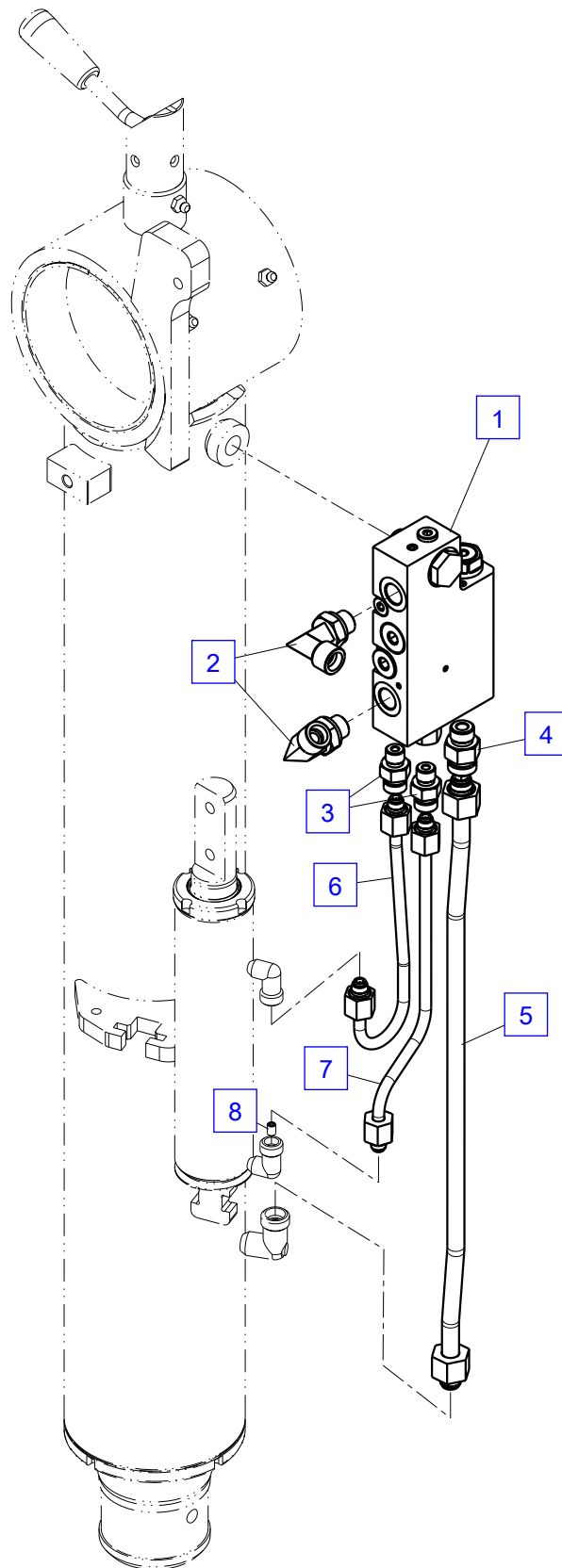
Lifting cylinder UP2863

No.	Spare part	Qty.	Description	Dimension
1	UP2863	1	Tilt cylinder	
2	HY2099	1	Cylinder tube	
3	HSK1856	1	Piston rod	
4	TD 578A	1	Seal kit	
5	HV 390A	1	Cylinder nut	M048x1.5 d032xL060



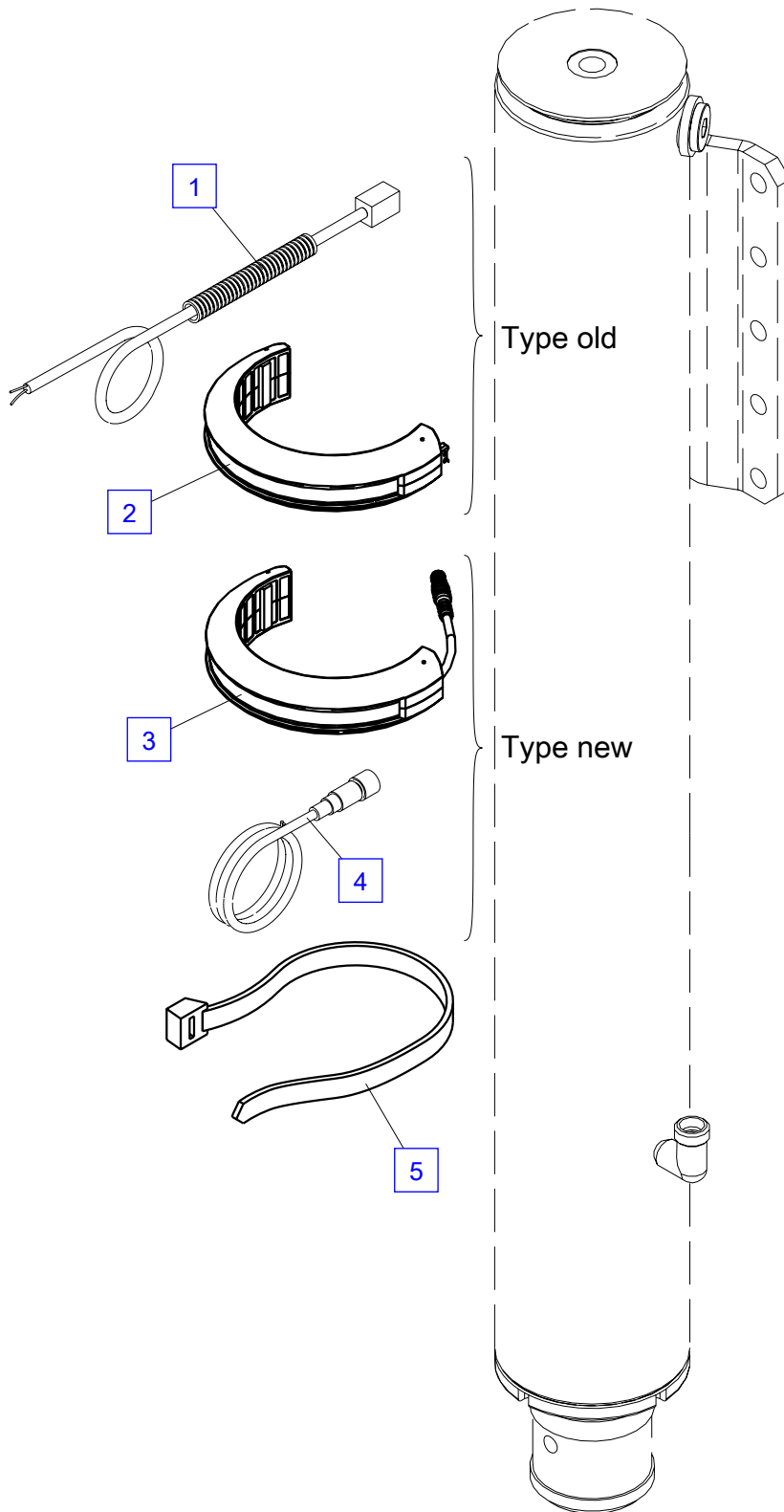
Pipes - support STZY

No.	Spare part	Qty.	Description	Dimension
1	EV7227	1	Pilot operated check valve	
	EA6490	1	Banjo bolt	3/8"
2	EA1749	2	Adaptor	WEE 12S 3/8"
3	EA 089	2	Fitting	GE 08S R1/4"-ED
4	EA 039	1	Fitting	GE 12S R3/8"-ED
5	HLR14257	1	Pipe	D 12
6	HLR14258	1	Pipe	D 8
7	HLR14259	1	Pipe	D 8
8	HLA2046	1	Restrictor	D 0.8 mm



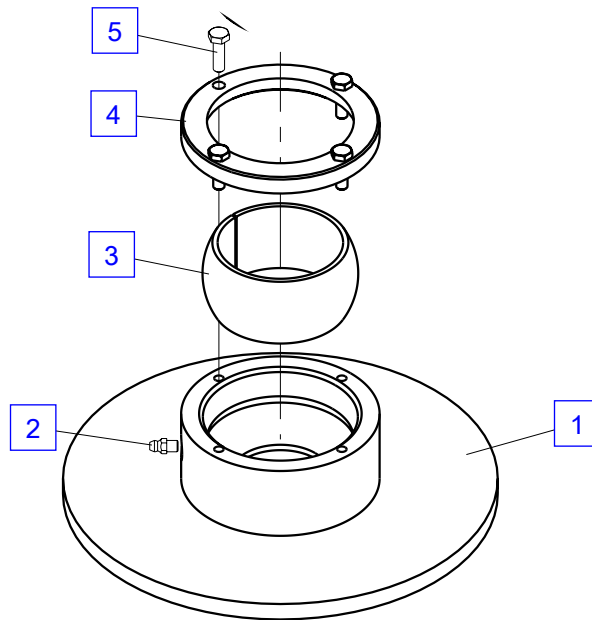
Lighting

No.	Spare part	Qty.	Description	Dimension
1	EEA5013	1	Plug with cable (2-pole)	12 m
	EEA 082	1	Plug (2-pole)	
	EEA 083	2	Pin	
2	HXE 568	1	Light, cpl.	24V
3	HXE 568A-24V	1	Light	M 8 d=127 mm
4	EEA5452	1	Plug with cable (3-pole)	M 8 - 10 m
5	EK 387	1	Mounting band	l=500x9 mm



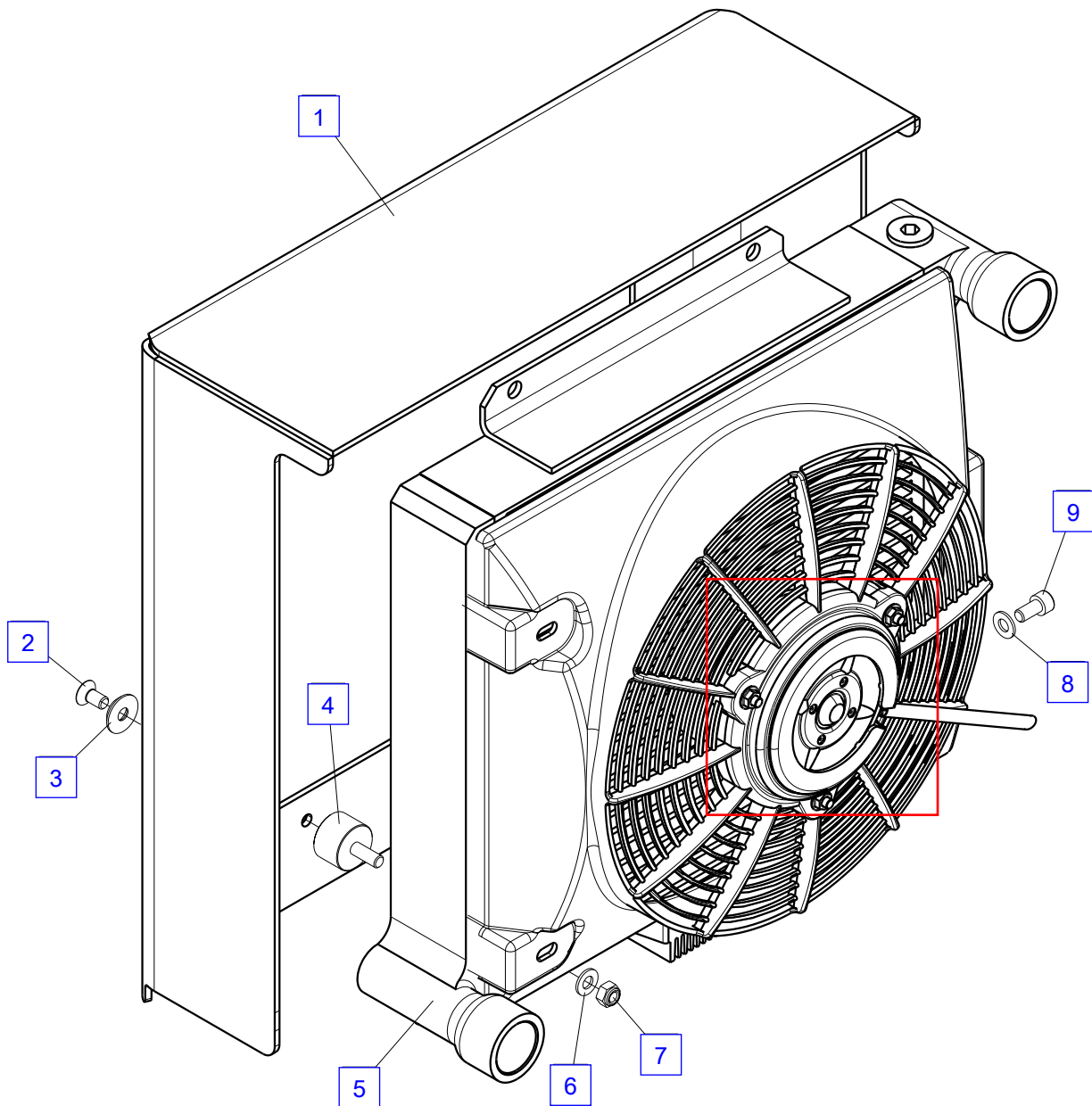
Stabilizer plates

No.	Spare part	Qty.	Description	Dimension
1	HXE3506	1	Stabilizer plates	D 230
2	EA 412	1	Grease nipple	M 6x1 H1 71412
3	HBS3328	1	Bearing bush	d075xD091xL040
4	HBS3327	1	Cover	D114.3xd087.2xL010.0
5	ES 344	4	Screw	M6x20 DIN 933



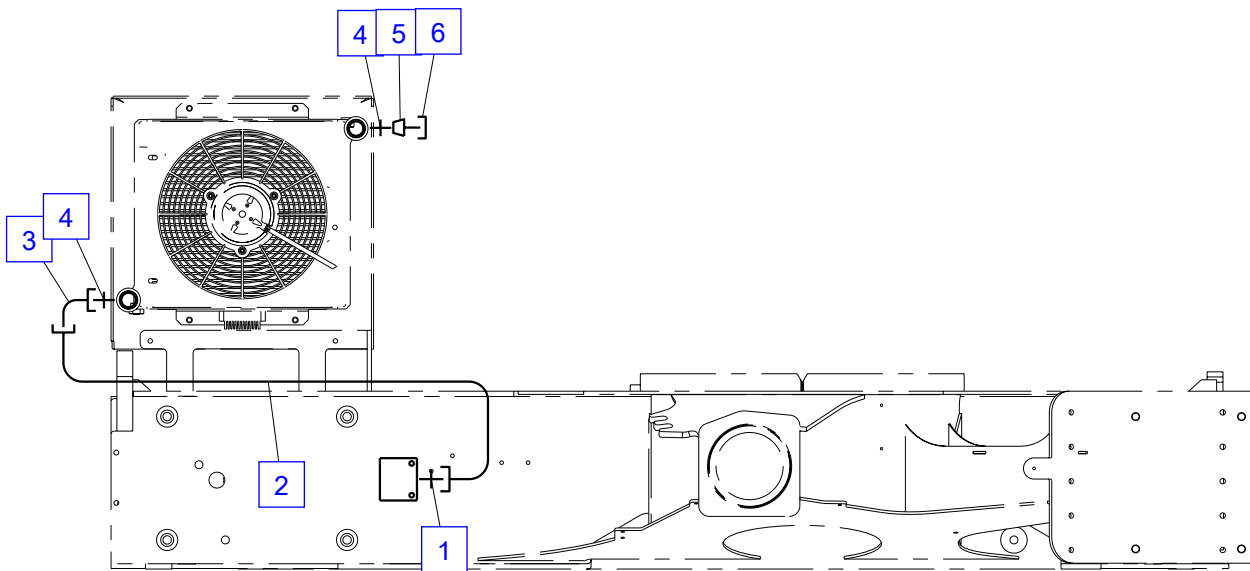
Oil cooler 10,5kW

No.	Spare part	Qty.	Description	Dimension
1	HA6856	1	Bracket	
2	ES 156	4	Screw	M 8x16 ISO14581- 8.8
3	EK 568	4	Washer	D 8
4	EK 905	4	Rubber damper	M8
5	BKA56	1	Oil cooler see additional chapter AB001	10kW - 24V
6	EK 003	4	Washer	D 8.4 ISO7089
7	EM 026	4	Nut	M 8 DIN 985
8	EK 007	3	Washer	D 10.5 ISO7089
9	ES 049	3	Screw	M 10x16 DIN 933



Piping - oil cooler

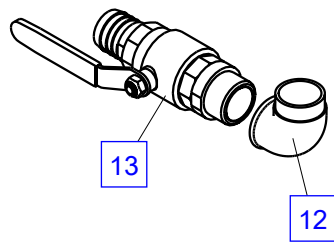
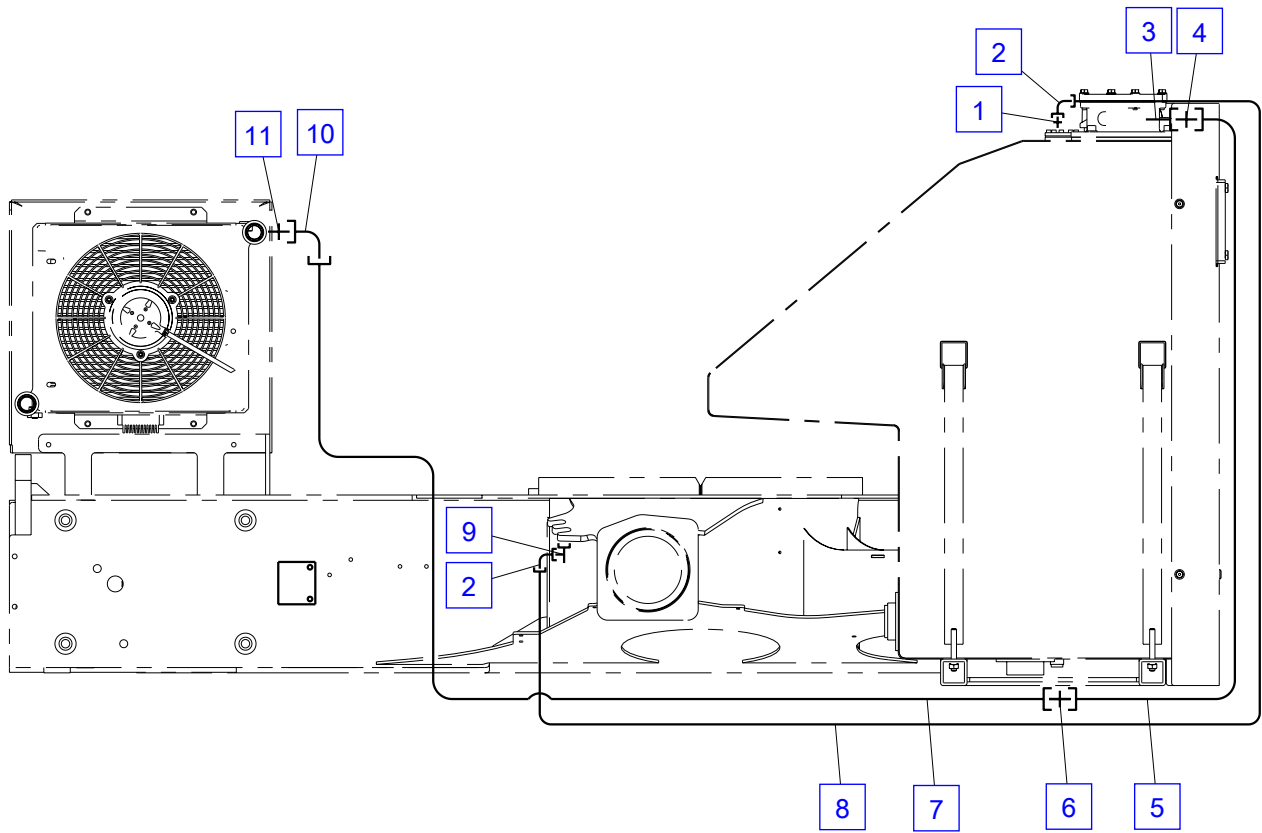
No.	Spare part	Qty.	Description	Dimension
1	EA1141	1	Fitting	GE 35 R1 1/4-ED
2	HLR14479	1	Pipe	D 35
2	HLR21605	1	Pipe	D 35
3	EA1375	1	Fitting	EW 35-L
4	EA1161	2	Fitting	GE 35L R1-ED
5	EA1118	1	Plug	BUZ 35-L
6	EA1156	1	Nut	M 35 L



Piping - oil tank

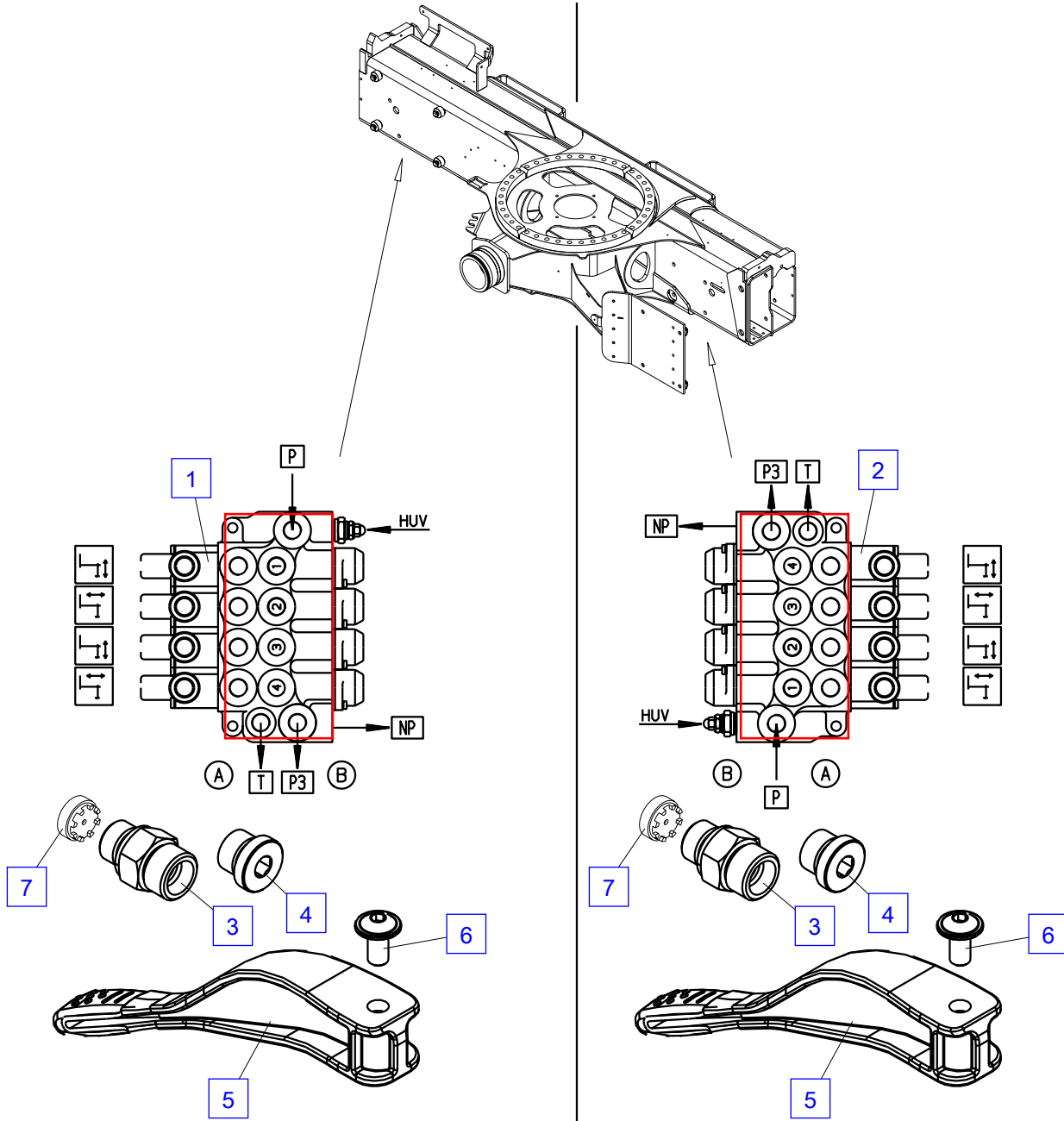
No.	Spare part	Qty.	Description	Dimension
1	EA 190	1	Fitting	GE 10L R3/8"-ED
2	EA 278	2	Angle fitting	EW 10 L
3	EA1879	1	Reduction	G 1-1/2" 1-1/4"
4	EA1141	1	Fitting	GE 35 R1 1/4-ED
5	HLR11018	1	Pipe	D 35
6	EA1140	1	Fitting	G 35-L
7	HLR13750	1	Pipe	D 35
8	EH5657	1	Hose	NW 10x3200
9	EA 531	1	L-Coupling	EL 10 L
10	EA1375	1	Fitting	EW 35-L
11	EA1161	1	Fitting	GE 35L R1-ED
12	EA1817	1	Pipe bend	2"
13	EV4512	1	Ball cock	2" PN25

Oil tank, cpl.
see additional chapter AB001



Control valve VDM07

No.	Spare part	Qty.	Description	Dimension
1	KSC00983B	1	Control valve (4-sections) see page 0201.01000-A	
2	KSC00985B	1	Control valve (4-sections) see page 0201.01000-A	
3	EA 039	16	Fitting	GE 12S R3/8"-ED
3	EA 769	3	Fitting	GE 16 SR 3/8"-ED
3	HLA 376	2	Fitting	GE 18L R3/8"-ED
4	EA 442	1	Locking screw	VSTI R3/8"
4	EA 746	1	Locking screw	vsti M 18x1.5
5	HH 544	8	Hand lever	
6	ES 963	8	Screw	M 8x16 ISO7380
7	EZ3289	2	Restrictor	2.2 mm



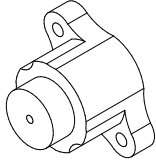
/ EV5860							/ EV8559						
HUV	EV-990	Pressure/bar	Fitting	Restrictor	Lever	Element	HUV	EV-990	Pressure/bar	Fitting	Restrictor	Lever	Element
P	P		EA-769				P	P		EA-769			
	P3		EA-769					P3		EA-442			
T	T		HLA-376				T	T		HLA-376			
	NP		EV1778, EA-746					NP		EA-746			
1	A	---	EA-039	-			1	A	---	EA-039	-		
	B	---	EA-039	-				B	---	EA-039	-		
2	A	---	EA-039	EZ3289			2	A	---	EA-039	-		
	B	---	EA-039	-				B	---	EA-039	-		
3	A	---	EA-039	-			3	A	---	EA-039	EZ3289		
	B	---	EA-039	-				B	---	EA-039	-		
4	A	---	EA-039	-			4	A	---	EA-039	-		
	B	---	EA-039	-				B	---	EA-039	-		

Control valve

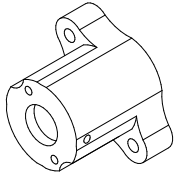
- KSC = with adaptors and valves
- EV = KSC without adaptors and valves
- HUV = Main relief valve
- P,T = Supply connections
- O = with overload protection
- x = open center - spool must be ordered separately

Control valve - details

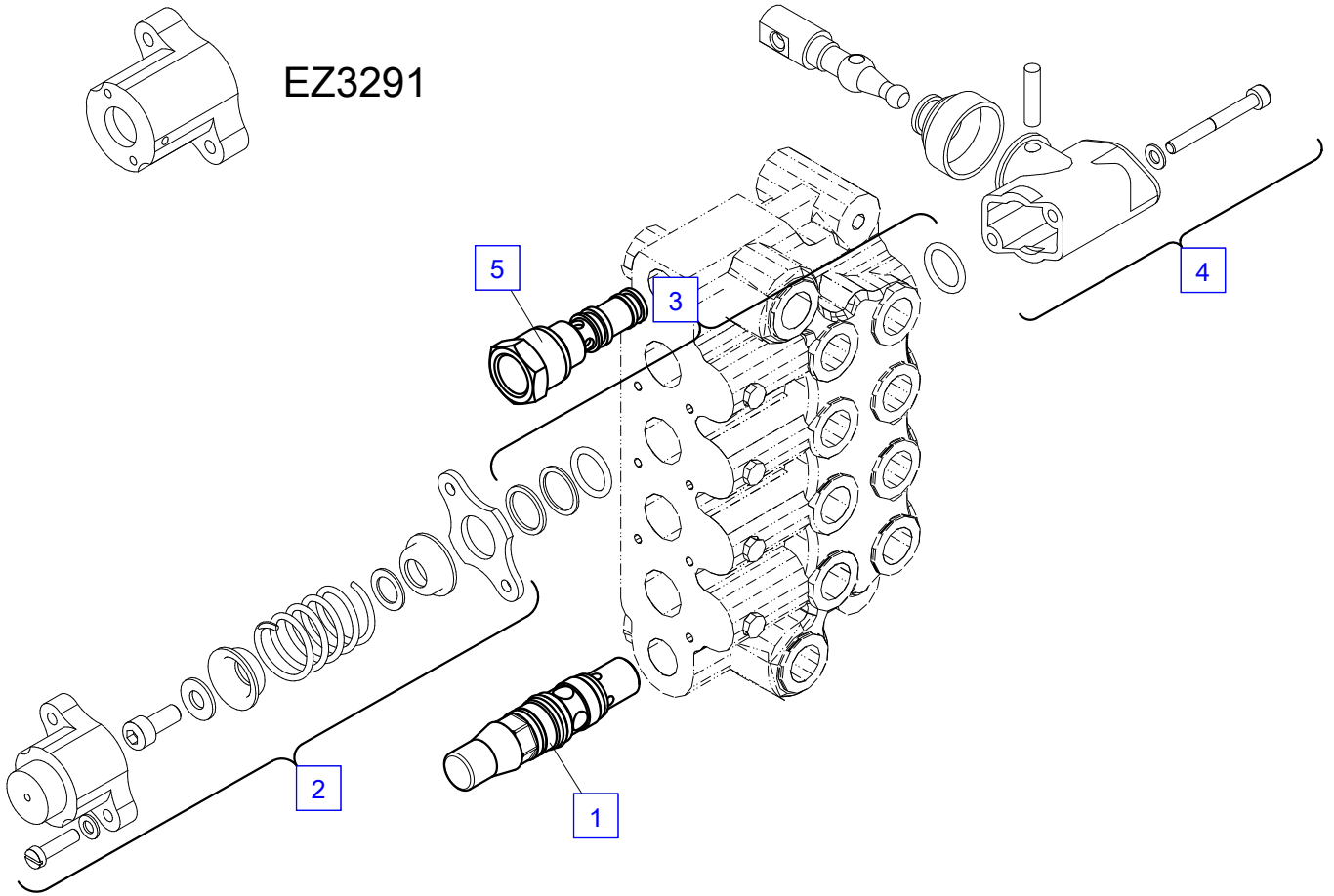
No.	Spare part	Qty.	Description	Dimension
1	EV5857	1	Main relief valve	
2	EZ9426	4	Spring housing, cpl.	
2	EZ3291	4	Spring housing, cpl.	
3	TD1605	4	Seal kit	
4	EZ3292	4	Lever support, cpl.	
5	EV1778	1	High pressure carry over port	M 18x1,5 - M 18x1,5
5	EV1021	1	High pressure carry over port	M 18x1.5 - 3/8"



EZ9426



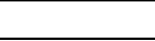
EZ3291



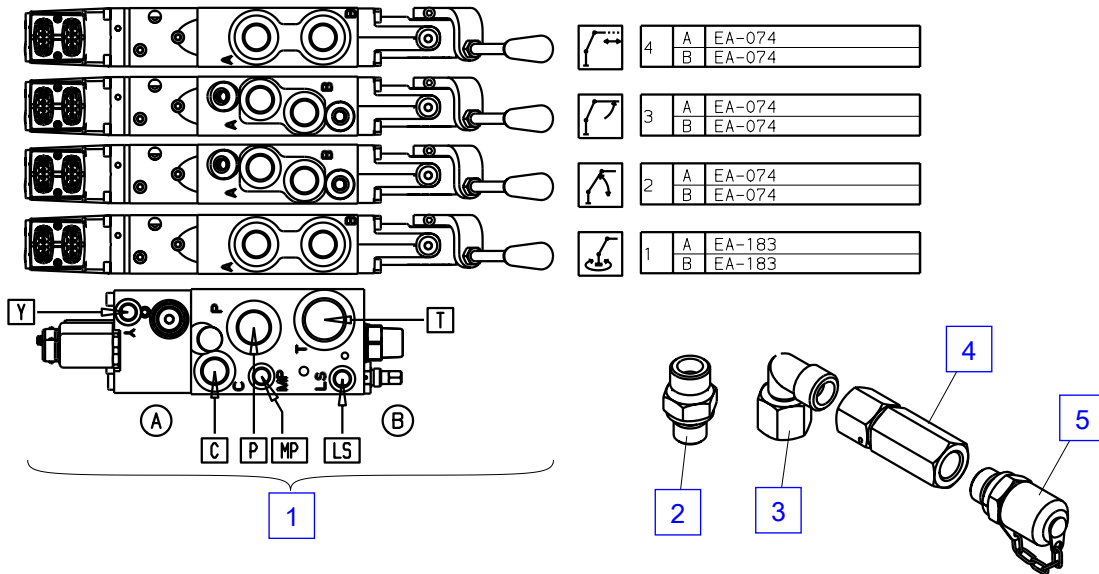
Control valve M4-12 (PU003)

No.	Spare part	Qty.	Description	Dimension
1	KSC00696A	1	Control valve see page 0221.0...	M4-12
2	EA 053	1	Fitting	GE 28 L R1/1"
2	EA 074	0	Fitting	GE 16S R1/2"-ED
2	EA 089	1	Fitting	GE 08S R1/4"-ED
2	EA 183	0	Fitting	GE 12S R1/2"-ED
2	EA 283	1	Fitting	GE 10L R1/4"-ED
2	EA1018	1	Fitting	GE 25 S R3/4"
3	EA 263	1	Angle fitting	EW 08S
4	HLA 804	1	Fitting	EGAI 08S R1/4"
5	EA 716	1	Dial gauge connection	EMA3 R1/4"

PU003

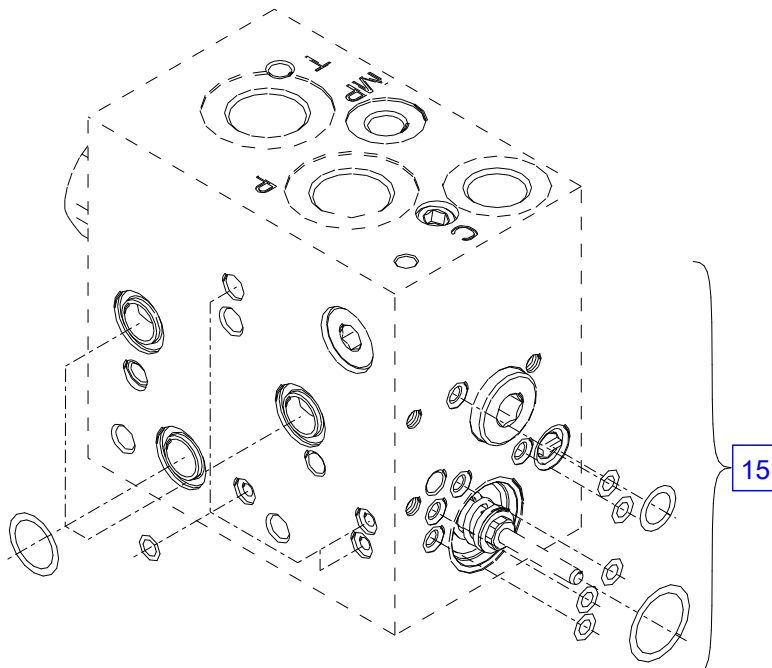
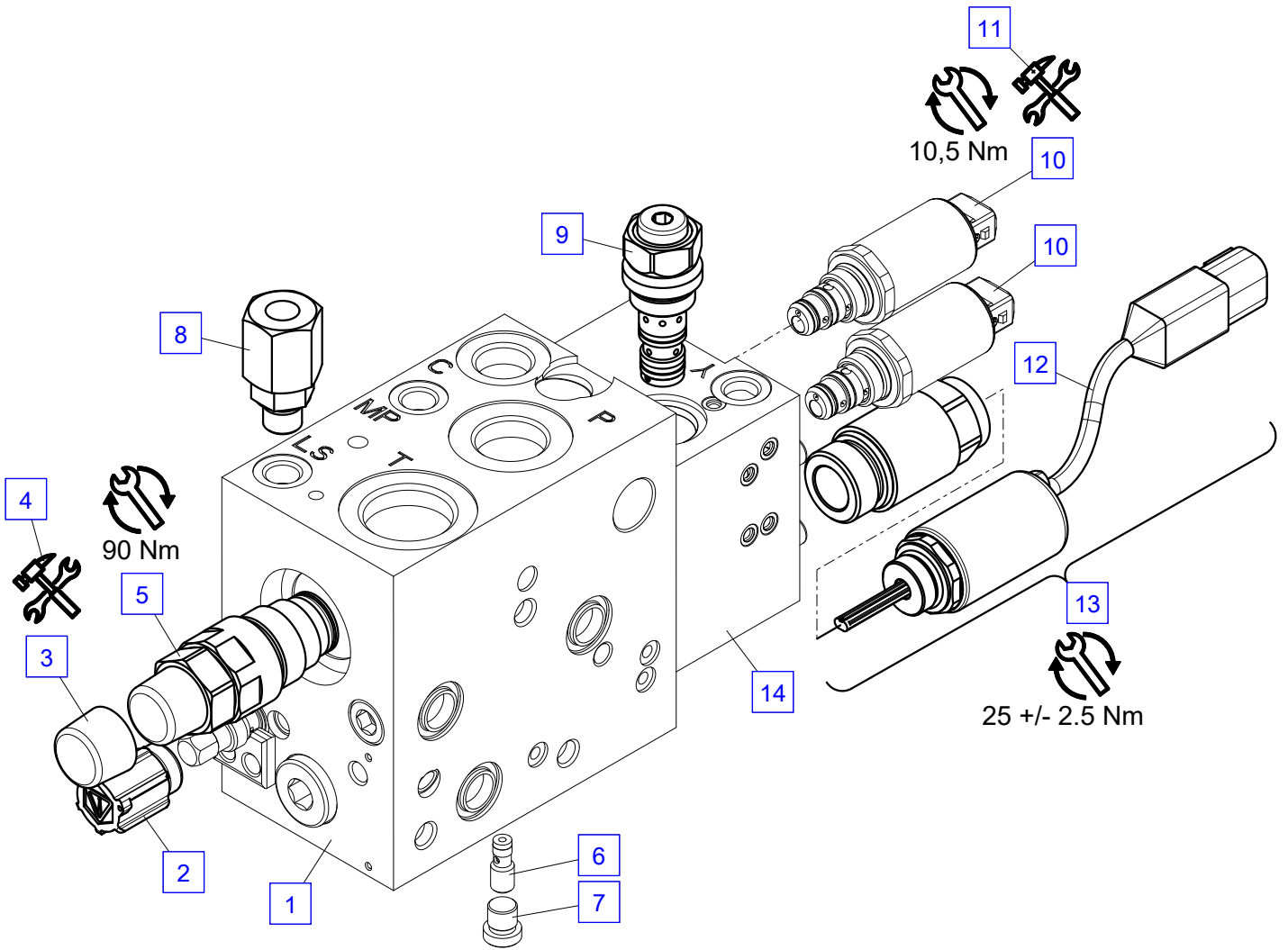
End cover


KSC00696A	
Fitting	
C	EA-074
P	EA1018
T	EA-053
MP	EA-716
Y	EA-283
LS	EV7484 / EA-089



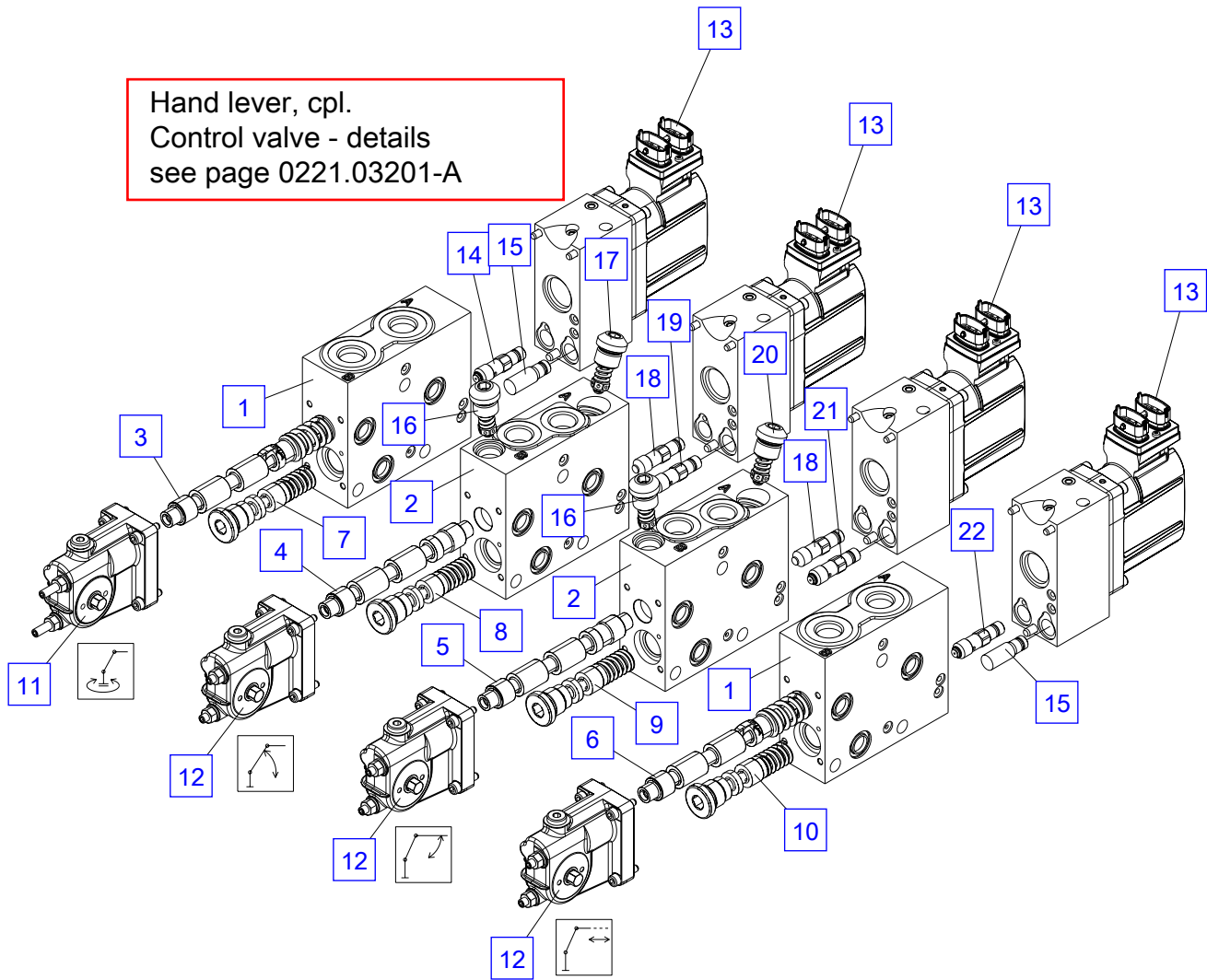
Inlet element PU003

No.	Spare part	Qty.	Description	Dimension
1	EV5673	1	Inlet element +5,6,7,9,13	
2	EK 917	1	Protecting cap	
3	EK1275	1	Cape, blue	
4	EKD1001	1	Tool for EK1275	
5	EV5765	1	Main relief valve	
6	EV5825	1	Shuttle valve	
7	EA 244	1	Locking screw	vsti M 10x1
8	EV7484	1	Fitting with choke	1.2 - 0.4 mm
9	EV5805	1	Pressure regulator valve	
10	EV5676	2	Switch valve	FTWE 24V
11	EKD1002	1	Tool for EV5757, EV5676	
12	EV8417	1	Sensor - neutral position	CPM
13	EV8418	1	Sensor - neutral position	EPM2
	EEA15490	1	Adapter cable	
14	EV8927	1	Housing, cpl.	
15	TD1612	1	Seal kit	



Separate element

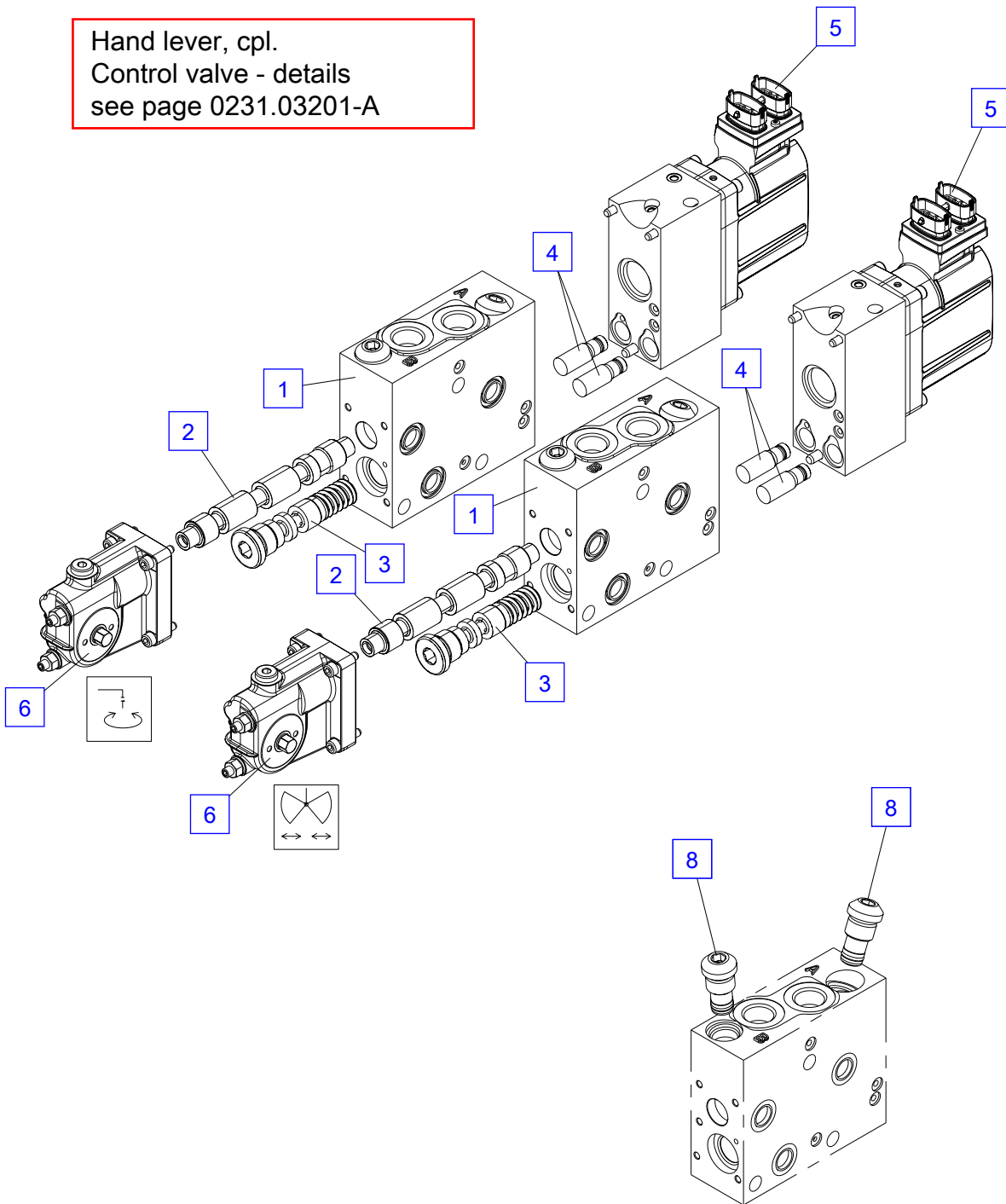
No.	Spare part	Qty.	Description	Dimension
1	EV5677	2	Control valve section	1LS-DB
2	EV5678	2	Control valve section	
3	EV7113	1	Control spool 1-Slewing gear	
4	EV7083	1	Control spool	
5	EV7266	1	Control spool	
6	EV7114	1	Control spool	
7	EV5687	1	Pressure compensator 1-Slewing gear	K0
8	EV5687	1	Pressure compensator	K0
9	EV5686	1	Pressure compensator	K1
10	EV5688	1	Pressure compensator	K2
11	EV6272	1	Lever support	
12	EV6011	3	Lever support	
13	EV7242	4	CAN-BUS modul	
14	EV9093	1	Pressure relief valve	0-150 bar
15	EV5692	2	Plug	
16	EV5696/380	2	Pressure relief valve	
17	EV5696/100	1	Pressure relief valve	
18	EV5695	2	Locking screw	
19	EV9093	1	Pressure relief valve	0-150 bar
20	EV5696/190	1	Pressure relief valve	
21	EV5694	1	Pressure relief valve	150-365 bar
22	EV5695	1	Locking screw	



Separate element

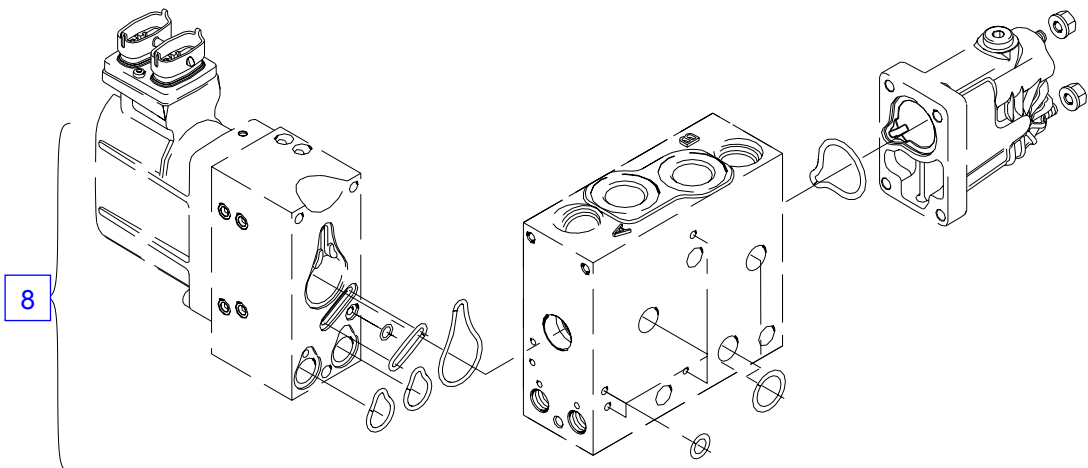
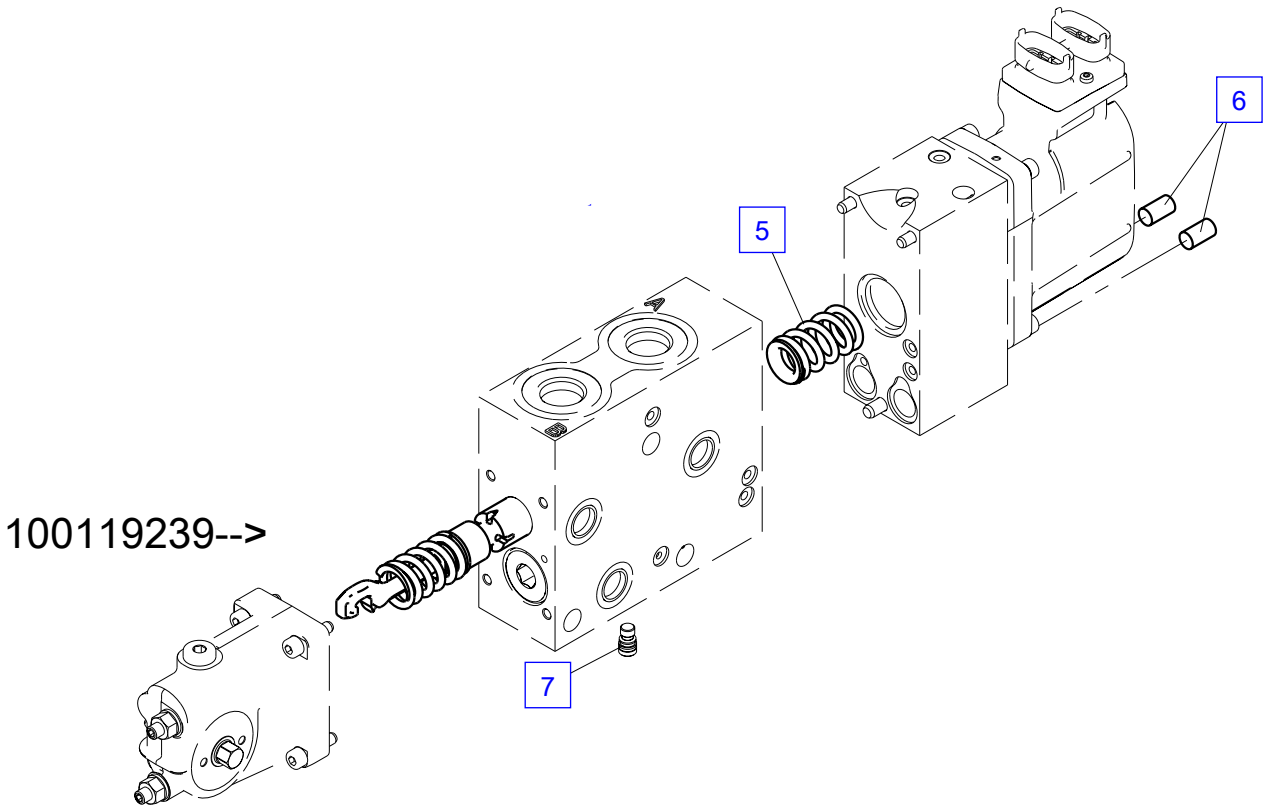
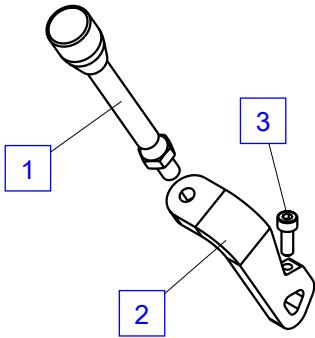
No.	Spare part	Qty.	Description	Dimension
1	EV5762	2	Control valve section	
2	EV7111	2	Control spool	
3	EV5687	2	Pressure compensator	K0
4	EV5692	4	Plug	
5	EV7242	2	CAN-BUS modul	
6	EV6011	2	Lever support	
8	EV5697	4	Locking screw	

Hand lever, cpl.
Control valve - details
see page 0231.03201-A



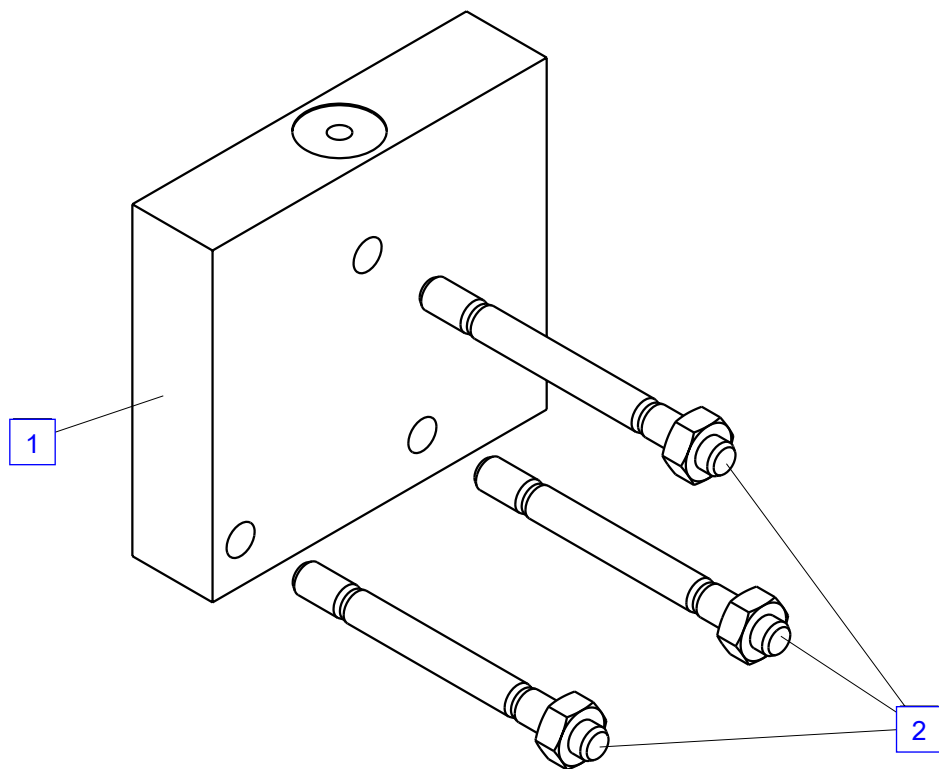
Separate element

No.	Spare part	Qty.	Description	Dimension
1	HH 532	1	Control lever, black	l=125.5 mm
2	HA9461	1	Lever support	
3	ES 112	1	Screw	M 5x14 DIN 912
5	EV5690	2	Spring	
6	EK1277	2	Lead seal, blue	LS-DB
7	EV5826	1	Shuttle valve	
8	TD1611	1	Seal kit (for EV7242)	
8	TD2206	1	Seal kit (for EV8275,EV8419)	



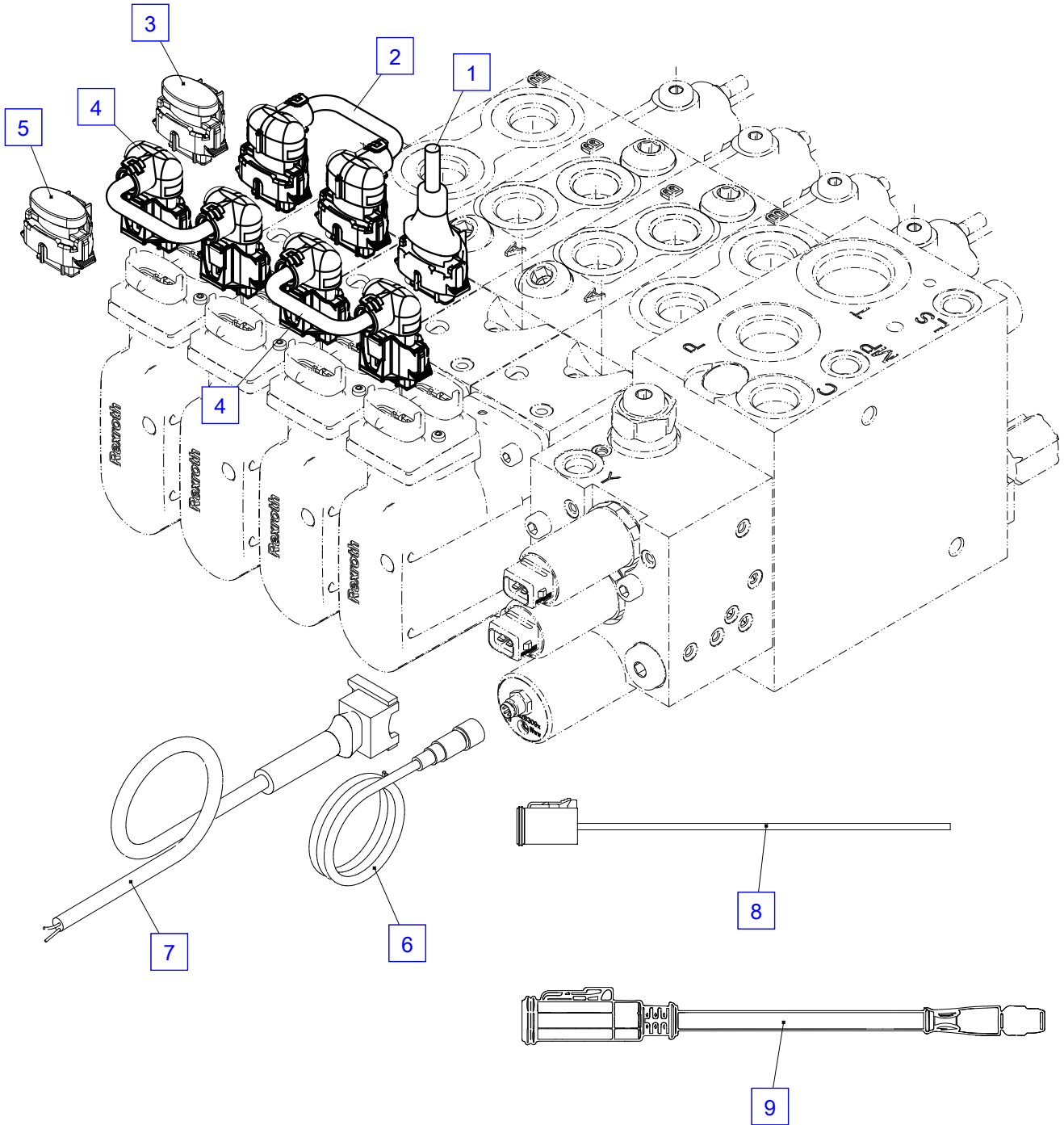
End element

No.	Spare part	Qty.	Description	Dimension
1	EV6235	1	End cover	
	TD1163	1	Seal kit	
2	ES1626	1	Anchor bolt, cpl. (6-elements)	



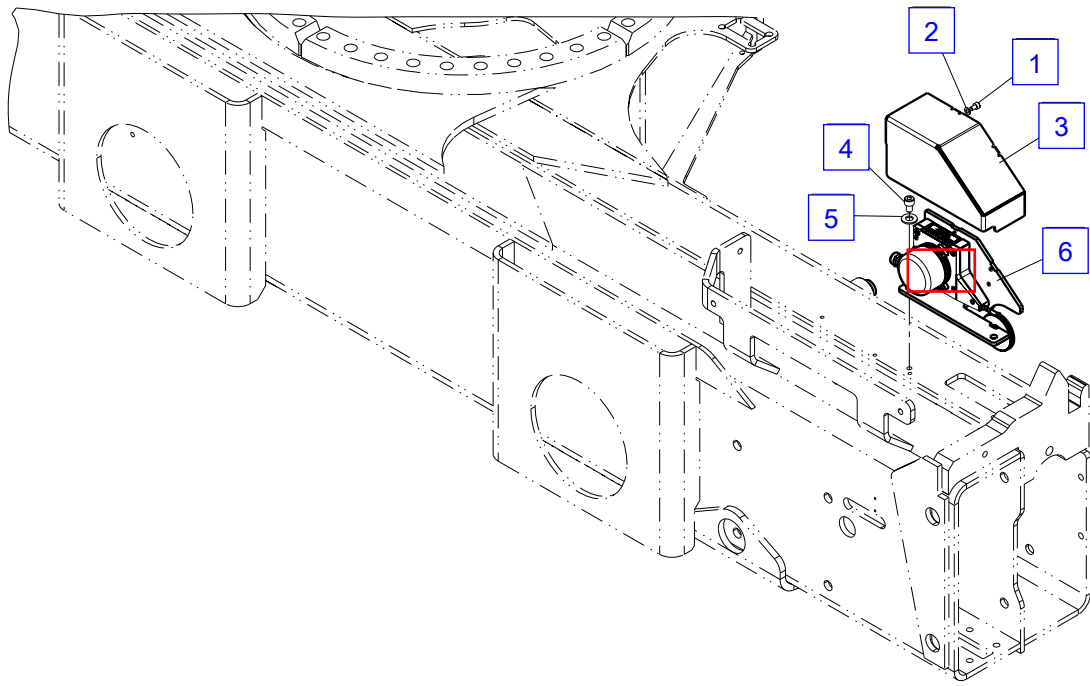
Cable harness

No.	Spare part	Qty.	Description	Dimension
1	EEA4927	1	Plug with cable	2.5 m
2	EEA5750	1	Cable harness, black	Kodierung 1 l=135 mm
2	EEA16147	1	Cable harness, black	Kodierung 1 EPM --> CPM l=300
3	EEA5751	1	Blank plug, black	Kodierung 1
4	EEA5749	1	Cable harness, grey	Kodierung 2 l=135 mm
4	EEA16148	1	Cable harness, grey	Kodierung 2 EPM --> CPM l=300
5	EEA4930	1	Blank plug, grey	Kodierung 2
6	EEA4957	1	Plug with cable (4-pole)	M 8 - 4 m
7	EEA14947	2	Plug with cable (2-pole)	
8	EEA14948	1	Plug with cable	
9	EEA15490	1	Adapter cable	



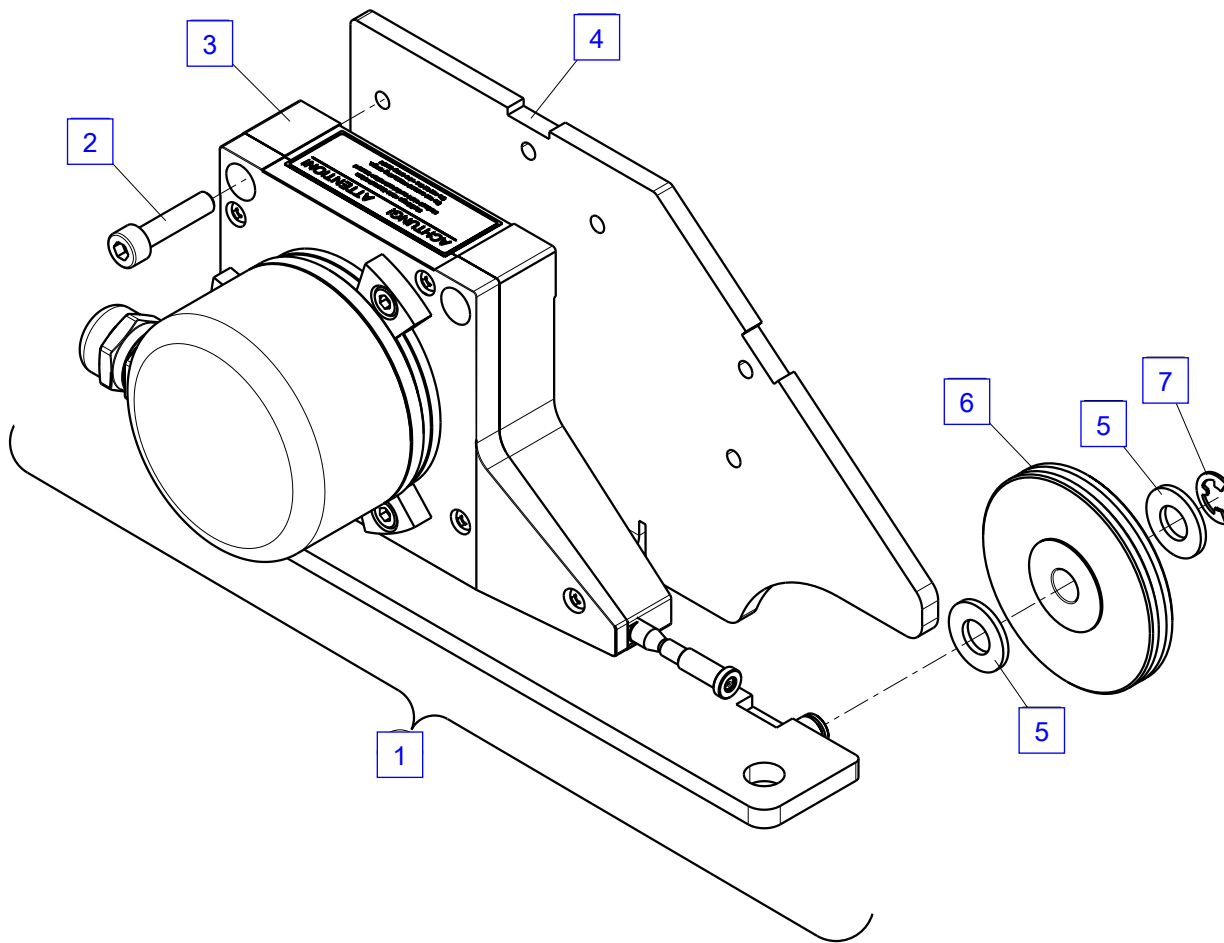
Support control HPSC

No.	Spare part	Qty.	Description	Dimension
1	ES 107	3	Screw	M 5x8 ISO4762- 8.8
2	EK 153	3	Washer	DIN134-05-ST
3	HA11790	1	Cover	
4	ES 374	2	Screw	M 8x12 ISO4762- 8.8
5	EK 007	2	Washer	D 10.5 ISO7089
6	HXE5737	1	Detection kit CAN-Open see page 0300.01001-A	Measuring range 3500 mm Cable 5 m



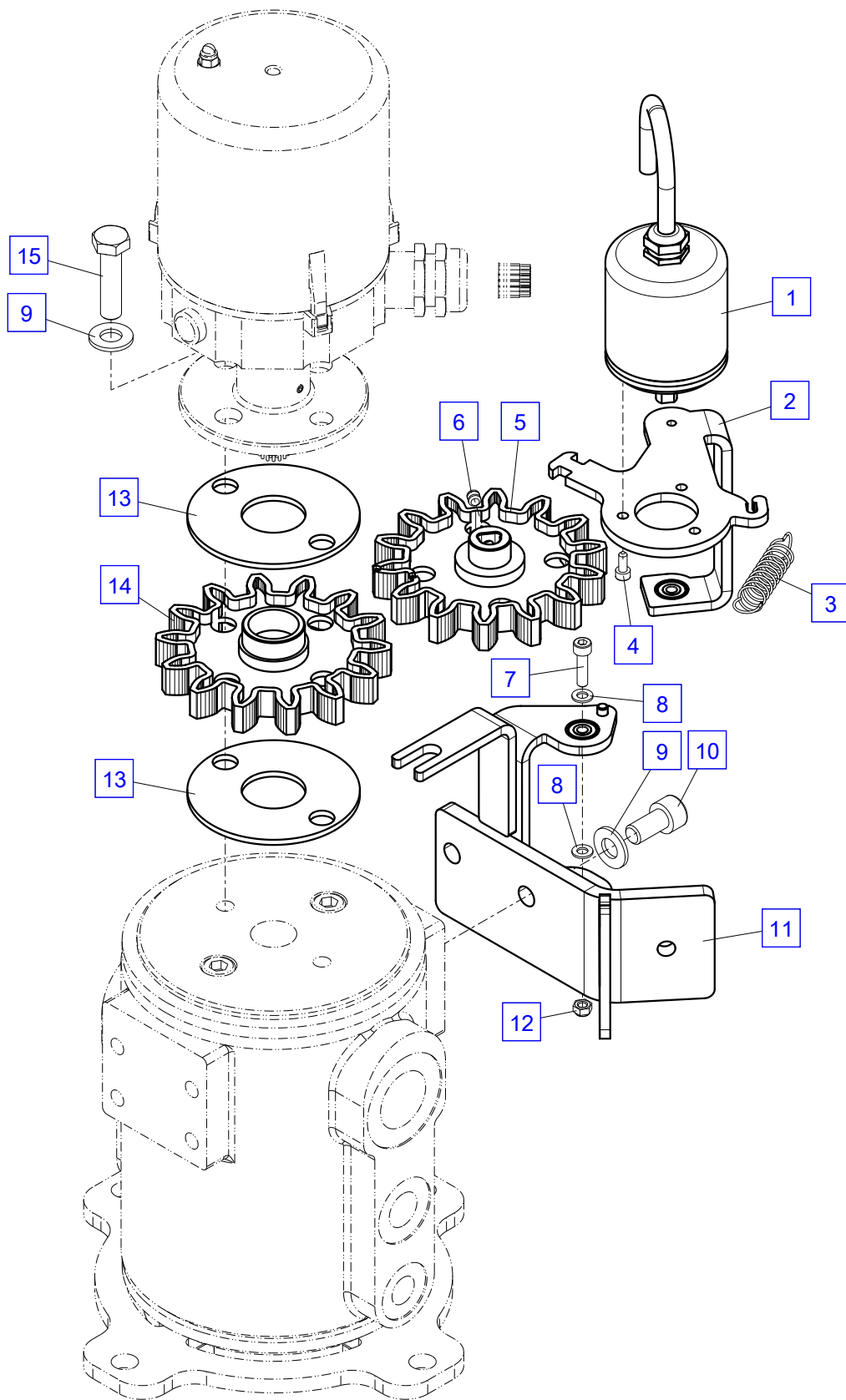
Rope length control

No.	Spare part	Qty.	Description	Dimension
1	HXE5737	1	Detection kit CAN-Open	Measuring range 3500 mm Cable 5 m
2	ES 812	3	Screw	M 5x22 ISO4762- 8.8
3	EEA10033	1	Rope length sensor CAN-Open	Measuring range 3500 mm Cable 5 m
4	HXE5736	1	Bracket	
5	EK 003	2	Washer	D 8.4 ISO7089
6	HR 681	1	Rope pulley	
7	EQ 017	1	Safety washer	D 6 DIN 6799



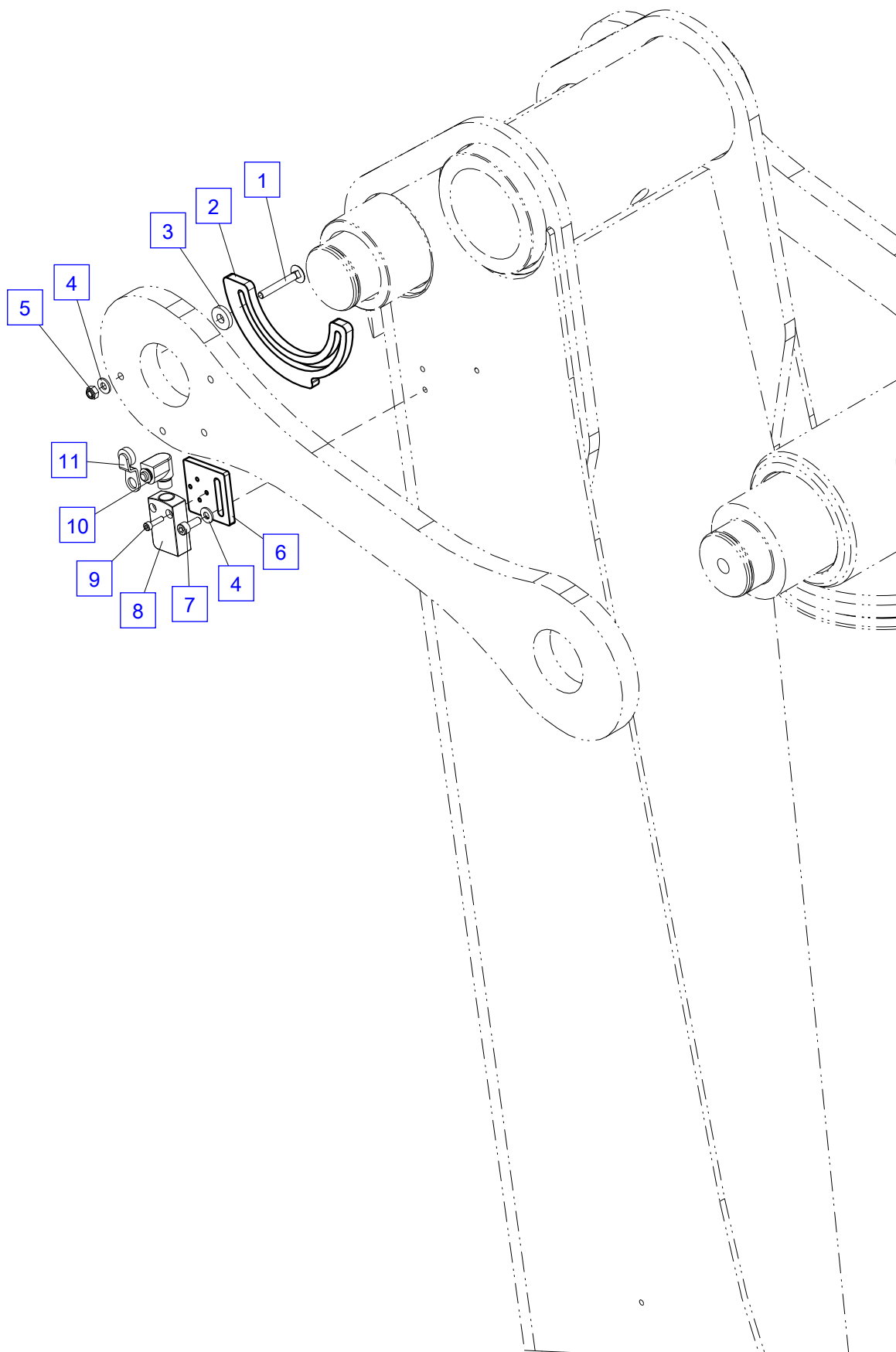
Encoder

No.	Spare part	Qty.	Description	Dimension
1	EEA4903A	1	Shaft encoder PT150	
2	HXE2714	1	Bracket	
3	EF 172	1	Tension spring	
4	ES 852	3	Screw	ISO4762 M 4 x 10
5	HZR 099	1	Gear wheel	
6	ES4103	1	Set screw	M 6x6
7	ES1148	1	Screw	M 5x20 ISO4762- 8.8
8	EK 153	2	Washer	DIN134-05-ST
9	EK 007	4	Washer	D 10.5 ISO7089
10	ES 050	2	Screw	M 10x20 ISO4762-10.9
11	HXE2904	1	Bearer	
12	EM 040	1	Nut	DIN985-8 M5
13	HT7547	2	Spacer	
14	HZR 098	1	Gear wheel	
15	ES 170	2	Screw	M 10x40 DIN 933



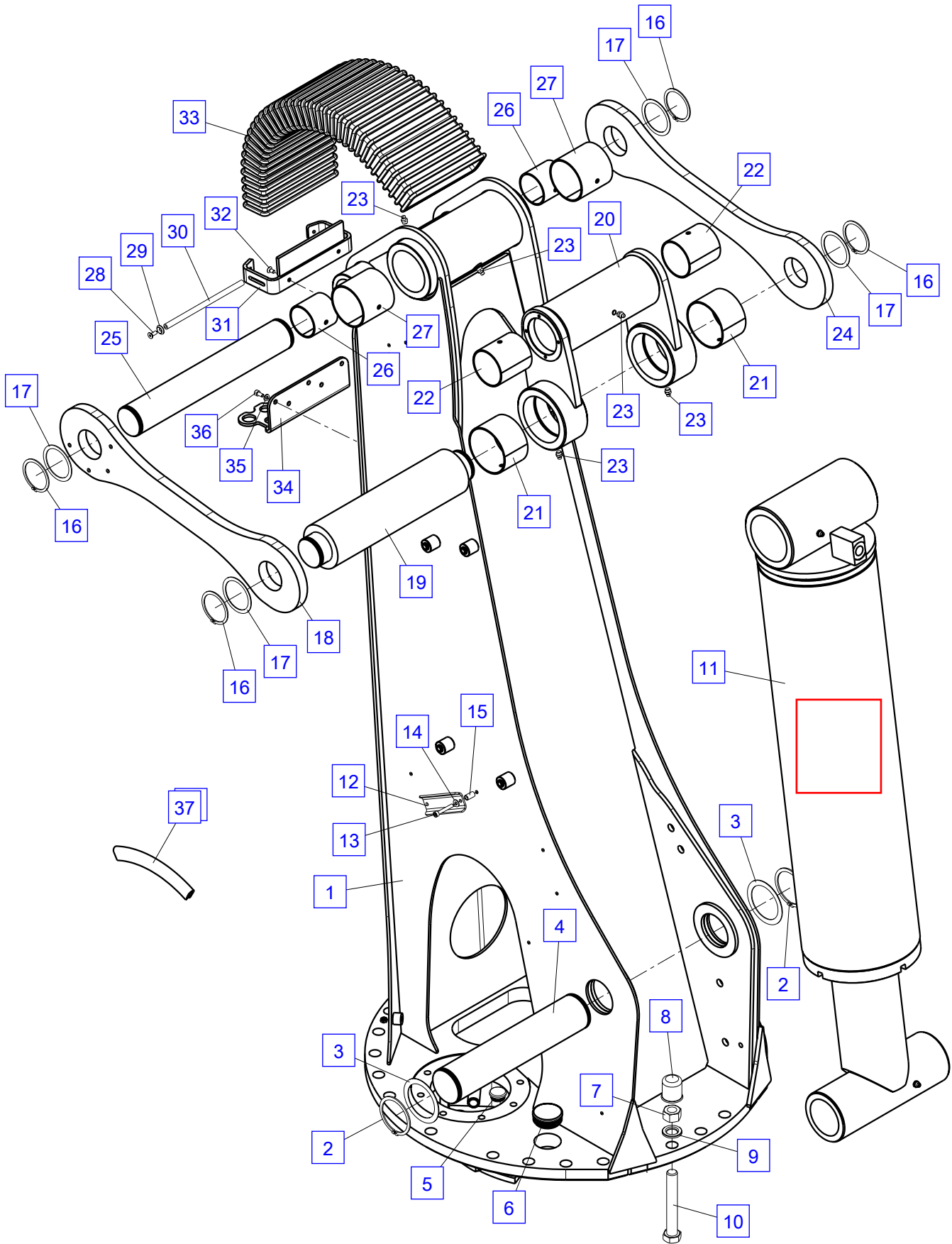
Transport position monitoring TRAN2,5

No.	Spare part	Qty.	Description	Dimension
1	ES1012	2	Screw	M 6x45 DIN 603
2	HT10610	1	Bracket	L0149.6xB0080.0xS008
3	EK 044	2	Washer	D 8 DIN 7349
4	EK 043	4	Washer	D 6.4 DIN 134
5	EM 014	2	Nut	DIN 985-8 M 6
6	HT7003	1	Fastening plate	
7	ES 175	2	Screw	M 6x16 ISO4762- 8.8
8	EEA3942	1	Limit switch	
8	EEA9885	1	Connection element with cable	5 m
9	ES 853	2	Screw	M4x16 - 8.8 - ISO4762
10	EEA3986A	1	Drive	
11	EEA5460	1	Roller lever	l=42.5 mm, b=10 mm



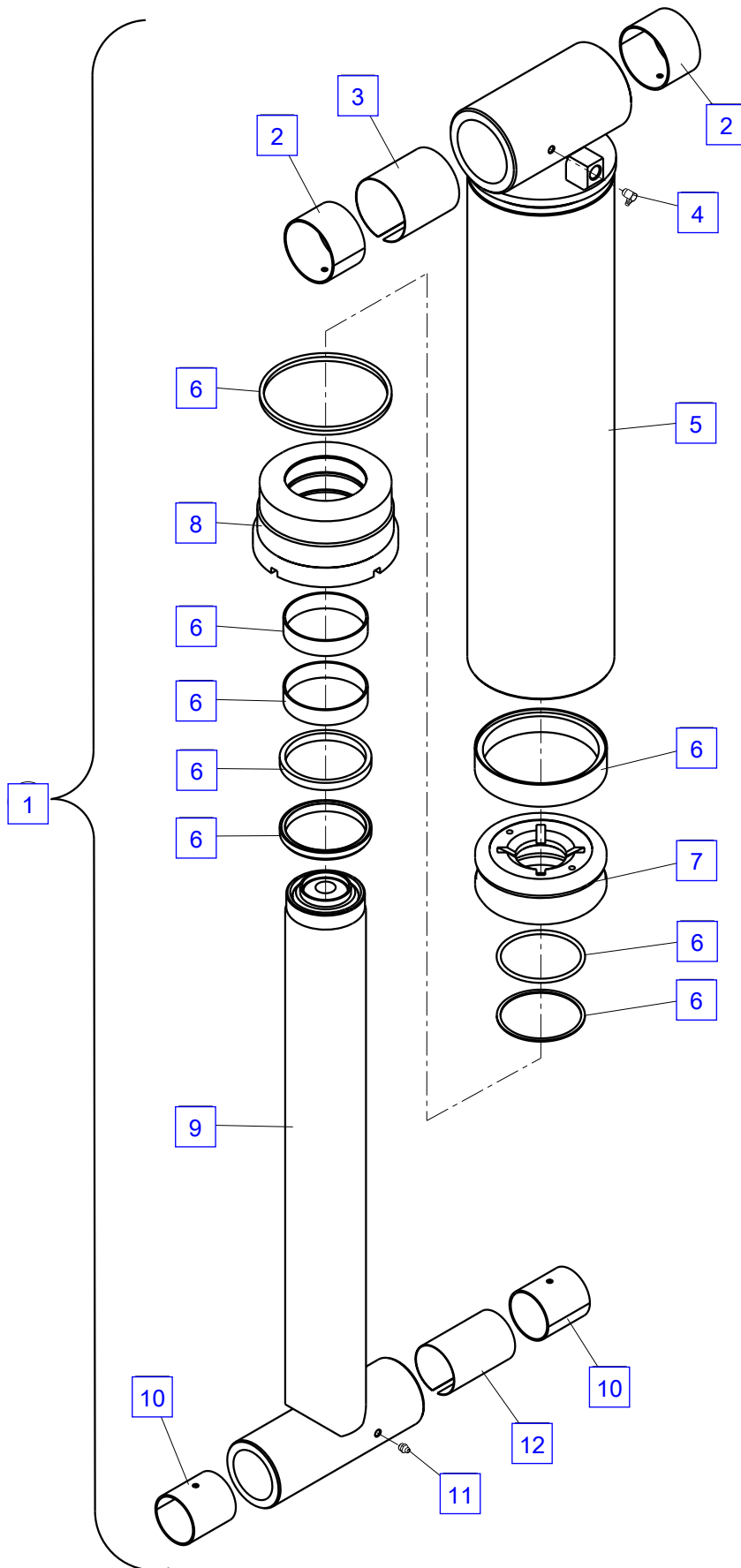
Crane column

No.	Spare part	Qty.	Description	Dimension
1	S407S30SA+00001	1	Crane column (Standard colour RAL 2002)	
2	EQ 062	2	Circlip	D 70 DIN 471
3	HBS 760	2	Spacer	1,5 mm
3	HBS 888	2	Spacer	2,0 mm
4	HI4083	1	Pin	
5	EK 885	0	Plug	DI 24-26 mm
6	EZ1481	2	Plug	D 50
7	EM 301	26	Nut	M 20 ISO4032-10.9
8	EK1525	3	Protecting cap	
9	EK 198	26	Washer	D 21 DIN 6916
10	ES 685	26	Screw	M 20x140 DIN 931 10.9
11	UP1882A	1	Lifting cylinder see page 0400.01001-A	
12	HAW 154	1	Hose clamp	I=115 mm
13	ES 105	2	Screw	M 6x40 ISO4762 10.9
14	EK 043	2	Washer	D 6.4 DIN 134
15	HBS3507	2	Spacer	L=18 mm
16	EQ 083	4	Circlip	D 60 DIN 471
17	HBS 759	4	Spacer	1.5 mm
17	HBS 880	4	Spacer	2 mm
18	S407L02-A	1	Linkage system Transport position monitoring	
19	HI3078	1	Pin	D090.0xL0392.0
20	S407L03-A	1	Lever (+21,22)	
21	ELG 062	2	Bearing bush	d090xD095xL060
22	ELG 007	2	Bearing bush	D 70x75x80
23	EA 005	5	Grease nipple	M10x1 DIN71412
24	S407L01-A	1	Linkage system	
25	HI3077	1	Pin	D060.0xL0392.0
26	ELG 011	2	Bearing bush	D 60x65x60
27	ELG 019	2	Bearing bush	D 85x80x80
28	ES 418	2	Screw	M6x16 ISO14581- 8.8
29	EK 567	2	Washer	D 6
30	HI4070	1	Pin	
31	HXE3717	1	Bearer	
32	ES 419	2	Screw	M6x12 ISO14581- 8.8
33	EZ3209	1	Protection hose	
34	HXE5794	1	Bearer	
35	EK 190	5	Washer	DIN134-06-ST
36	ES1150	5	Screw	M 6x12 - 8.8 - ISO4762
37	EZ 578	0	Edge protection (metro goods)	4-6 mm



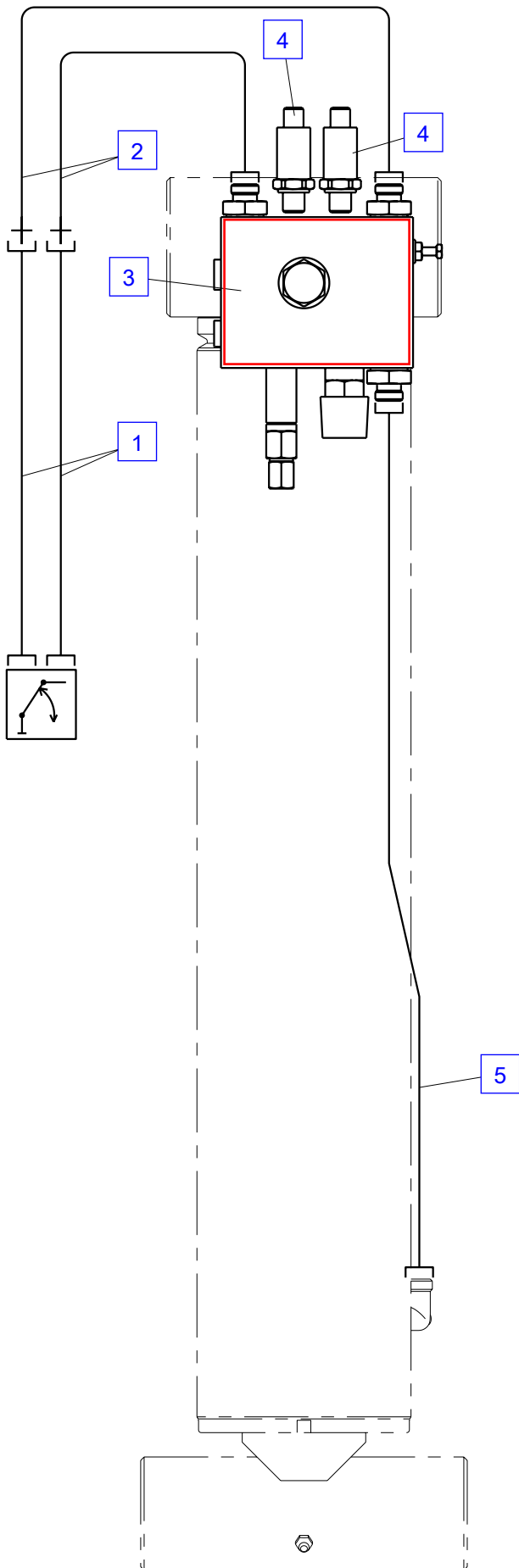
Lifting cylinder - details

No.	Spare part	Qty.	Description	Dimension
1	UP1882A	1	Lifting cylinder	
2	ELG 062	2	Bearing bush	d090xD095xL060
3	HBD 410	1	Spacer	
4	EA 023	1	Grease nipple	M 10x1 DIN 71412
5	HY1637	1	Cylinder tube	d200
6	TD 560A	1	Seal kit	
7	HK 729	1	Piston	
8	HV 391A	1	Cylinder nut	
9	HSK1477A	1	Piston rod	Cr
10	ELG 007	2	Bearing bush	D 70x75x80
11	EA 005	1	Grease nipple	M10x1 DIN71412
12	HBD 408	1	Spacer	



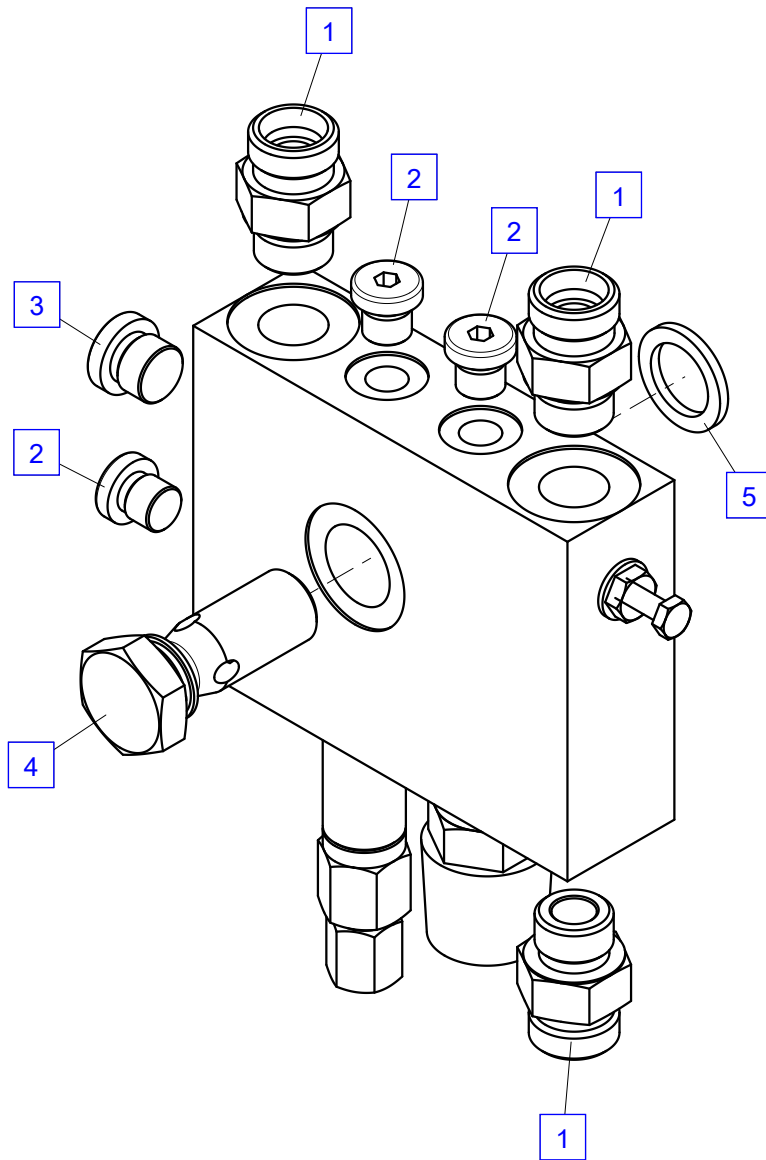
Piping - lifting cylinder

No.	Spare part	Qty.	Description	Dimension
1	HLR....	2	Pipe see page 0400.08...	
2	EH1934	2	Hose	NW 12x1350
3	UV503-405	1	Load holding valve see page 0400.02001-A	
4	EEA5763	2	Pressure transducer	0 - 600 bar SIL2
5	HLR10964	1	Pipe	D 16



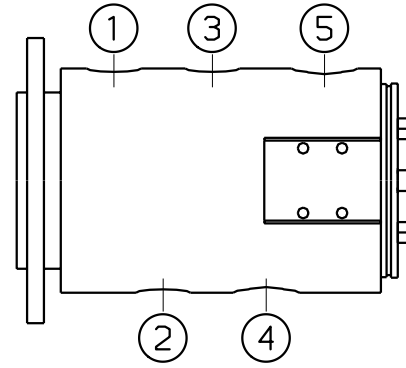
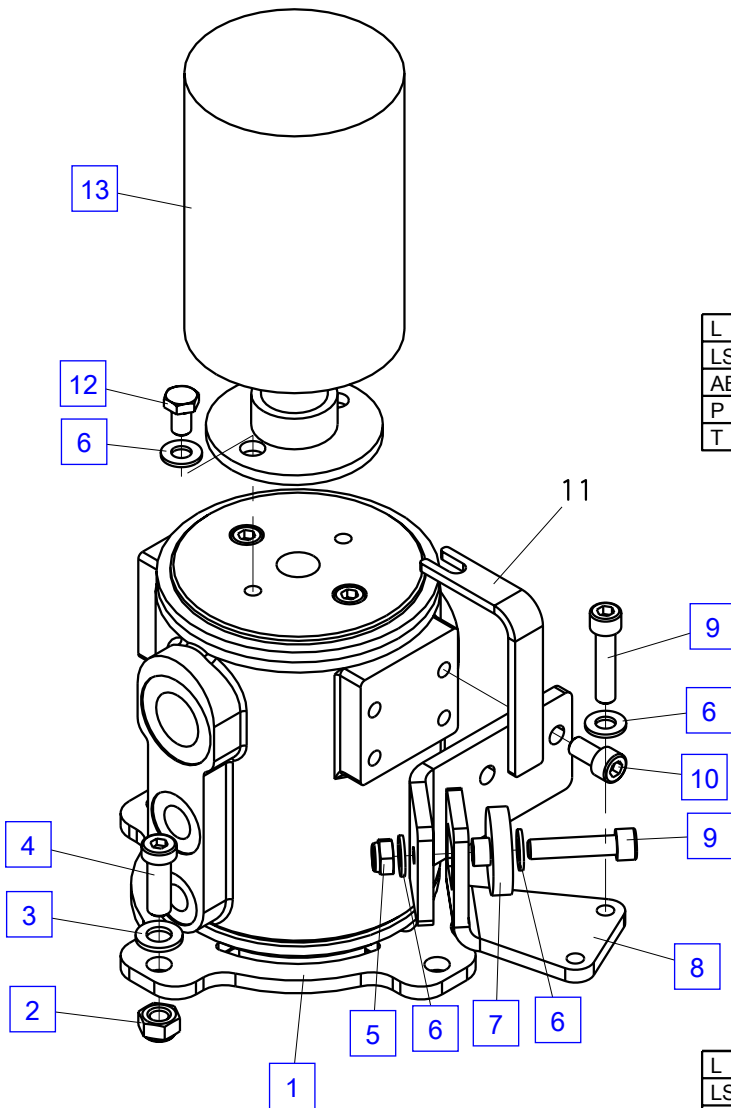
Load holding valve UV503-390,UV503-405

No.	Spare part	Qty.	Description	Dimension
	UV503-405	1	Load holding valve	
1	EA 074	3	Fitting	GE 16S R1/2"-ED
2	EA 236	3	Locking screw	VSTI R 1/4"
3	EA 442	1	Locking screw	VSTI R3/8"
4	HLA1013	1	Banjo bolt	
5	ED 370	1	Sealing ring	KD 1/2"

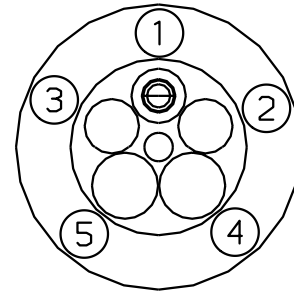


Rotary distributor

No.	Spare part	Qty.	Description	Dimension
1	S407DV30A	1	Rotary distributor with hoses	
	EH5096	1	Hose	NW 6x1600
	EH2003	1	Hose	NW 6x1100
	EH1225	1	Hose	NW 12x1470
	EA 053	2	Fitting	GE 28 L R1/1"
	EA 085	2	Fitting	GE 25 S R1/1"
	EH3265	1	Hose	NW 12x880
	EA 074	2	Fitting	GE 16S R1/2"-ED
	EA 190	2	Fitting	GE 10L R3/8"-ED
	EA1052	2	Fitting	GE 8 S R3/8"
	EH6511	1	Hose	NW 10x1100
	EH6510	1	Hose	NW 10x1500
	EH4755	1	Hose	NW 20x1100
	EH4870	1	Hose	NW 25x1000
	EH5634	1	Hose	NW 25x680
	EH5633	1	Hose	NW 20x760
1	UV471	1	Rotary distributor without hoses	
	TD1105	1	Seal kit	
2	EM 023	4	Nut	M 12 DIN 985
3	EK 207	4	Washer	D 13 ISO7089
4	ES 528	4	Screw	M 12x35 DIN7984
5	EM 021	1	Nut	DIN 985 M10 CL8 ZB
6	EK 007	6	Washer	D 10.5 ISO7089
7	HBS7798	1	Bushing	
8	HA10226	1	Bearer	
9	ES 269	3	Screw	M 10x45 DIN 912
10	ES 050	2	Screw	M 10x20 ISO4762-10.9
12	ES 049	2	Screw	M 10x16 DIN 933
13	EEA10986	1	Slip ring body (40-pole)	



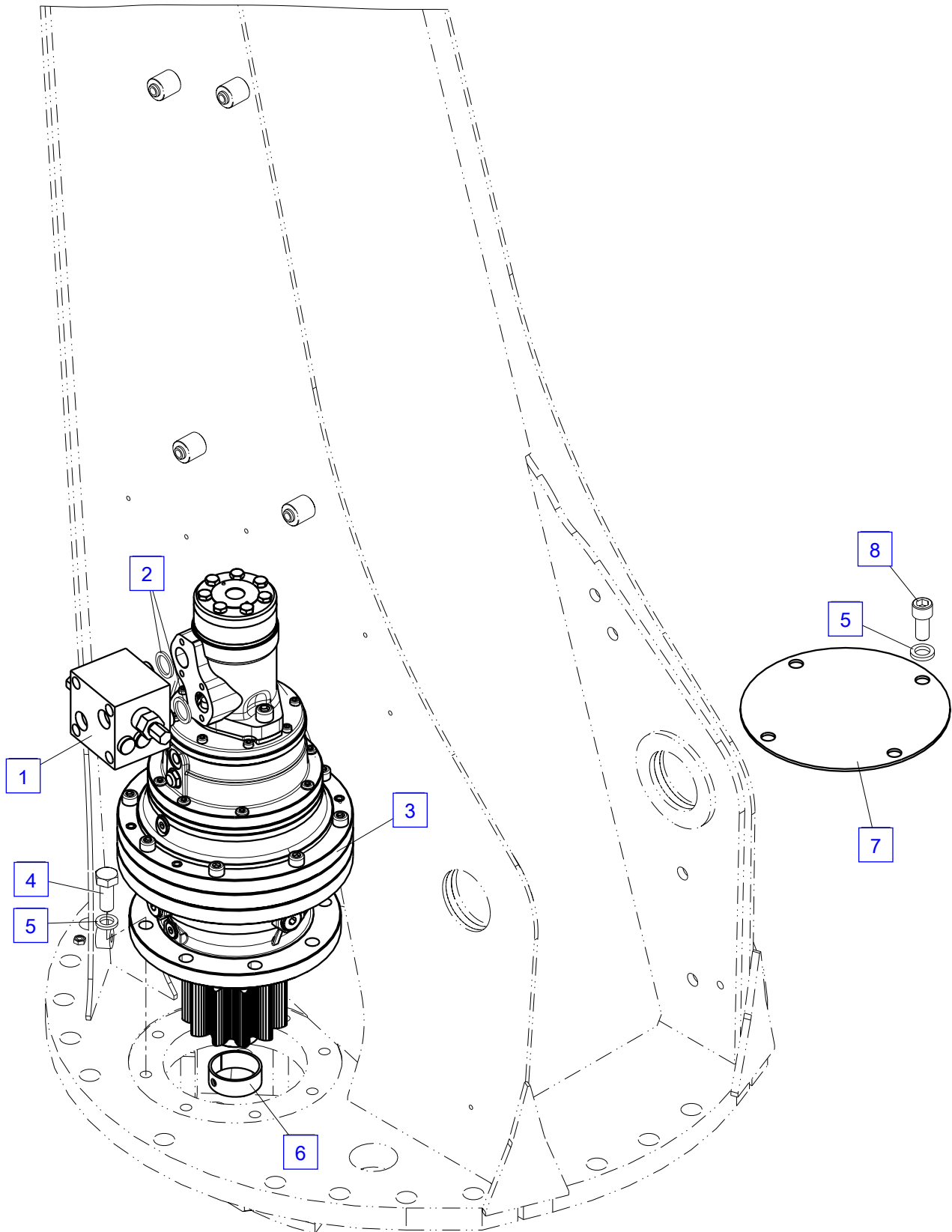
	No.	Hose	Fitting
L	1	EH6510	EA 190
LS	2	EH5096	EA1052
ABST	3	EH1225	EA 074
P	4	EH5633	EA 085
T	5	EH5634	EA 053



	No.	Hose	Fitting
L	1	EH6511	EA 190
LS	2	EH2003	EA1052
ABST	3	EH3265	EA 074
P	4	EH4755	EA 085
T	5	EH4870	EA 053

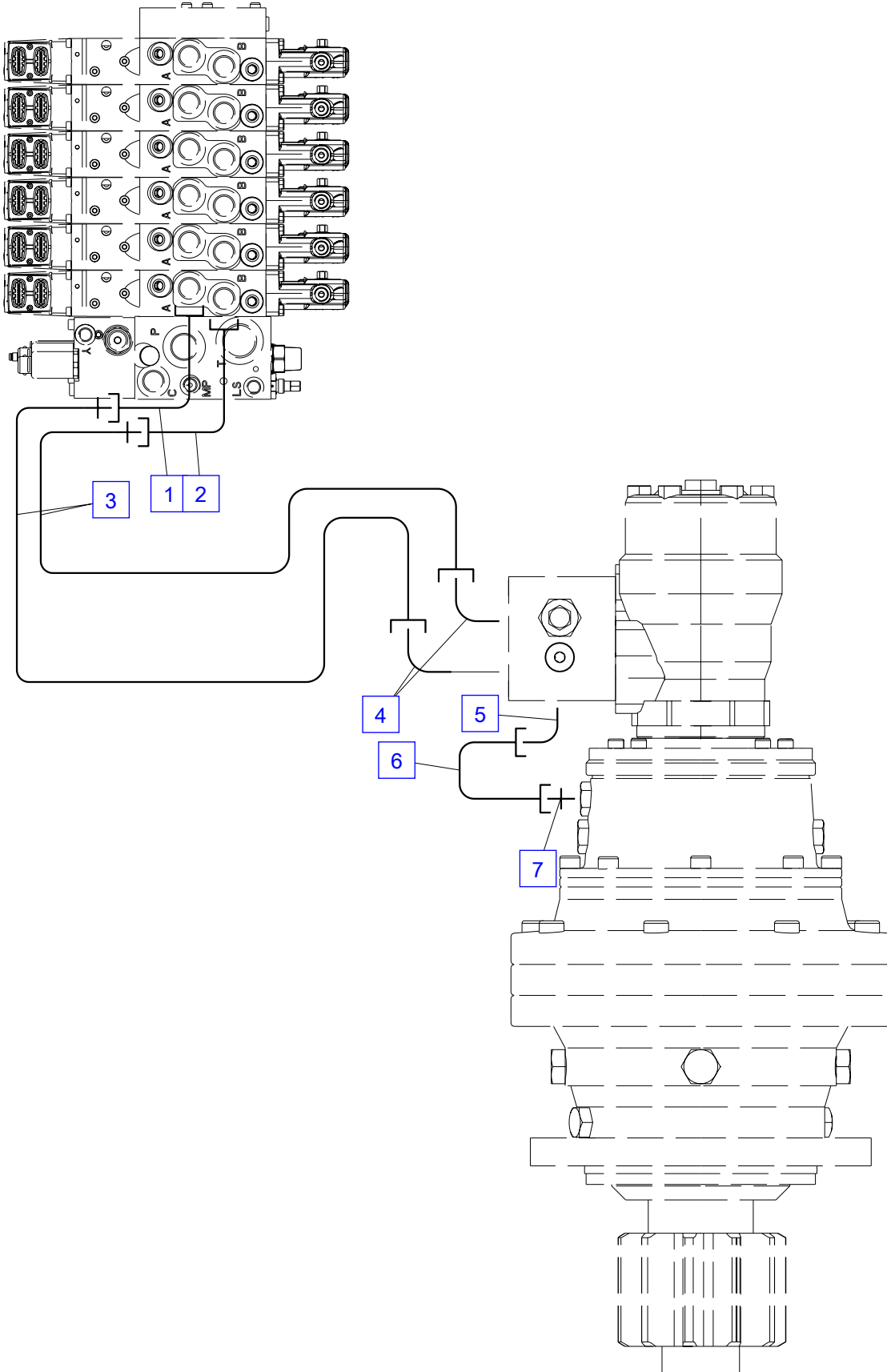
Slewing drive 1GETR

No.	Spare part	Qty.	Description	Dimension
1	EV 987/125	1	Load holding valve	125 bar
2	ED 570	2	Sealing ring	D 21,5x28,7x2,5
3	KSG00012A	1	Slewing drive (M24)	
	EZ 580	1	Pressure plate	
	ER 164	1	Back up ring	
	TD 268	1	Seal kit for gear	
	EF 138	1	Pressure spring	
	EA1792	1	Oil gauge	
	EZ2243	1	Breather valve	
	EP2030	1	Oilmotor	M+S MR160C
4	ES 503	8	Screw	M 14x35 DIN 931
5	EK 861	12	Washer	D 25x14x4 mm
6	ELG 165	1	Bearing bush	d050xD055xL020
7	HT6947	1	Cover plate	
8	ES 416	4	Screw	M 14x30 DIN 912



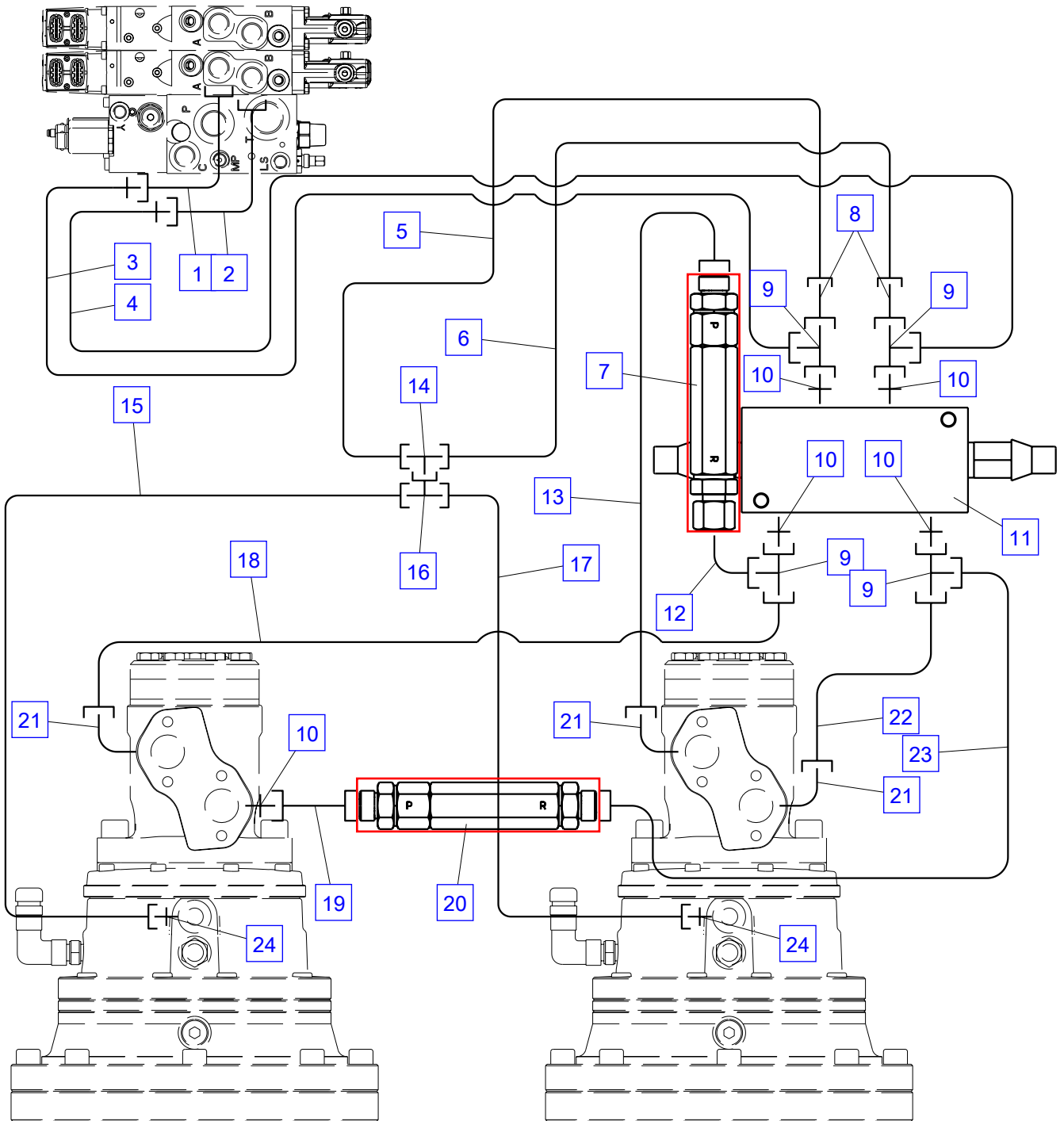
Piping - slewing drive 1GETR

No.	Spare part	Qty.	Description	Dimension
1	HLR11215	1	Pipe	D 12
2	HLR11216	1	Pipe	D 12
3	EH6134	2	Hose	NW 10x1100
4	EA1875	2	Adaptor	WEE 12S R1/2"
5	EA 185	1	Angle fitting	WE 8 S R1/4"
6	HLR 3289	1	Pipe	D 8
7	EA 089	1	Fitting	GE 08S R1/4"-ED



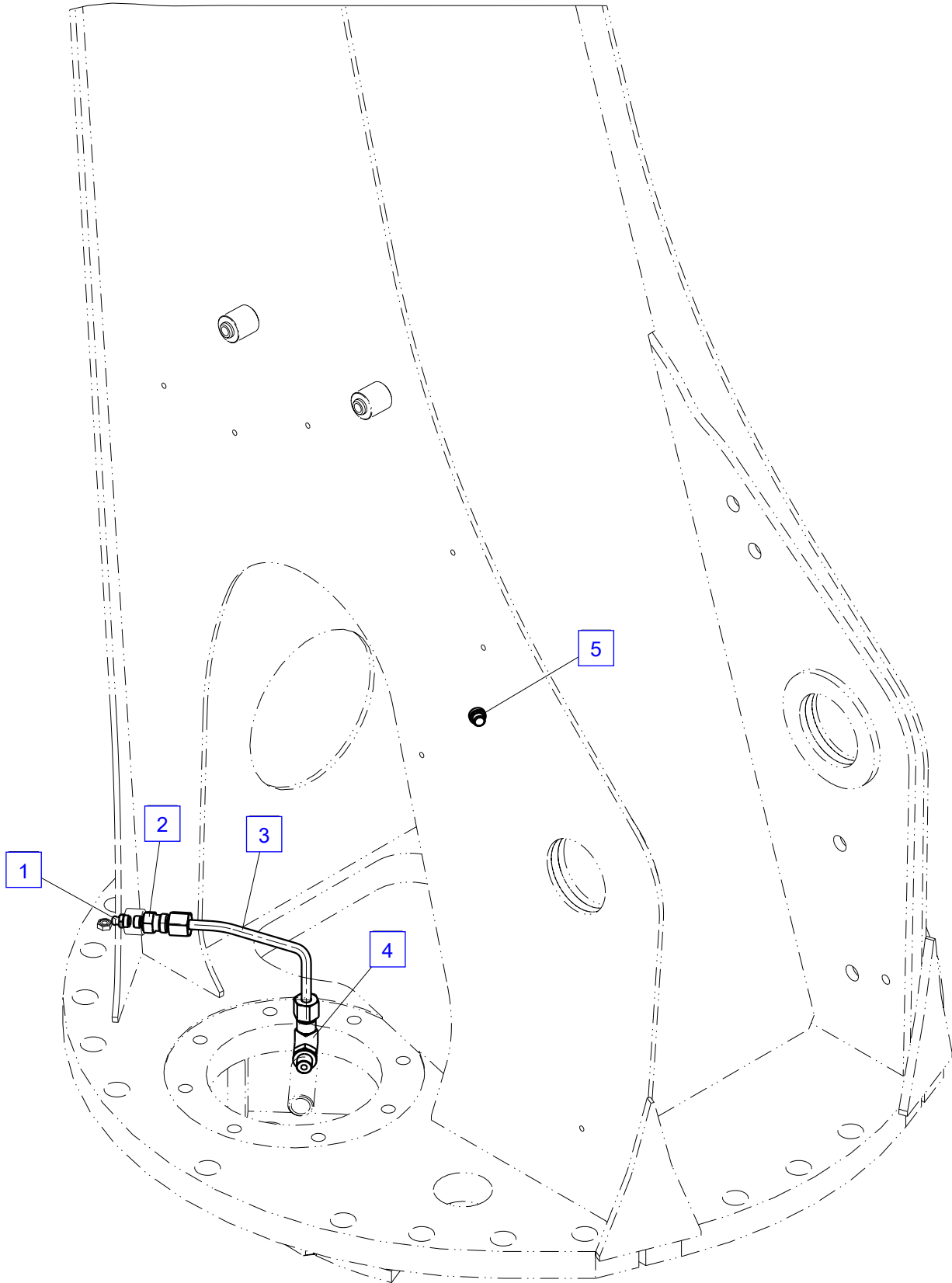
Piping - slewing drive 2GETR

No.	Spare part	Qty.	Description	Dimension
1	HLR14343	1	Pipe	D 16
2	HLR14359	1	Pipe	D 16
3	EH1563	1	Hose	NW 12x1900
4	EH4811	1	Hose	NW 12x1350
5	HLR13703	1	Pipe	D 8
6	HLR13704	1	Pipe	D 8
7	UV388	1	Pretension valve, cpl. see page 0400.05101-A	40 bar
8	EA 402	2	Reduction	RED 16/8 S
9	EA 062	4	L-Coupling	EL 16 S
10	EA 074	5	Fitting	GE 16S R1/2"-ED
11	EV5037-125	1	Load holding valve	
12	EA 019	1	Angle fitting	EW 16S
13	HLR13701A	1	Pipe	D 16
14	EV 093	1	Shuttle valve	WV 8 S
15	HLR13706	1	Pipe	D 8
16	EA1544	1	Fitting	ET 08 S
17	HLR13705	1	Pipe	D 8
18	HLR13698A	1	Pipe	D 16
19	HLR13699A	1	Pipe	D 16
20	UV544	1	Pretension valve, cpl. see page 0400.05102-A	40 bar
21	EA1782	3	Adaptor	WEE 16S R1/2"
22	HLR13700A	1	Pipe	D 16
23	HLR13702A	1	Pipe	D 16
24	EA 089	2	Fitting	GE 08S R1/4"-ED
25	EK 003	2	Washer	D 8.4 ISO7089
26	ES1388	2	Screw	M 8x45 ISO4762- 8.8



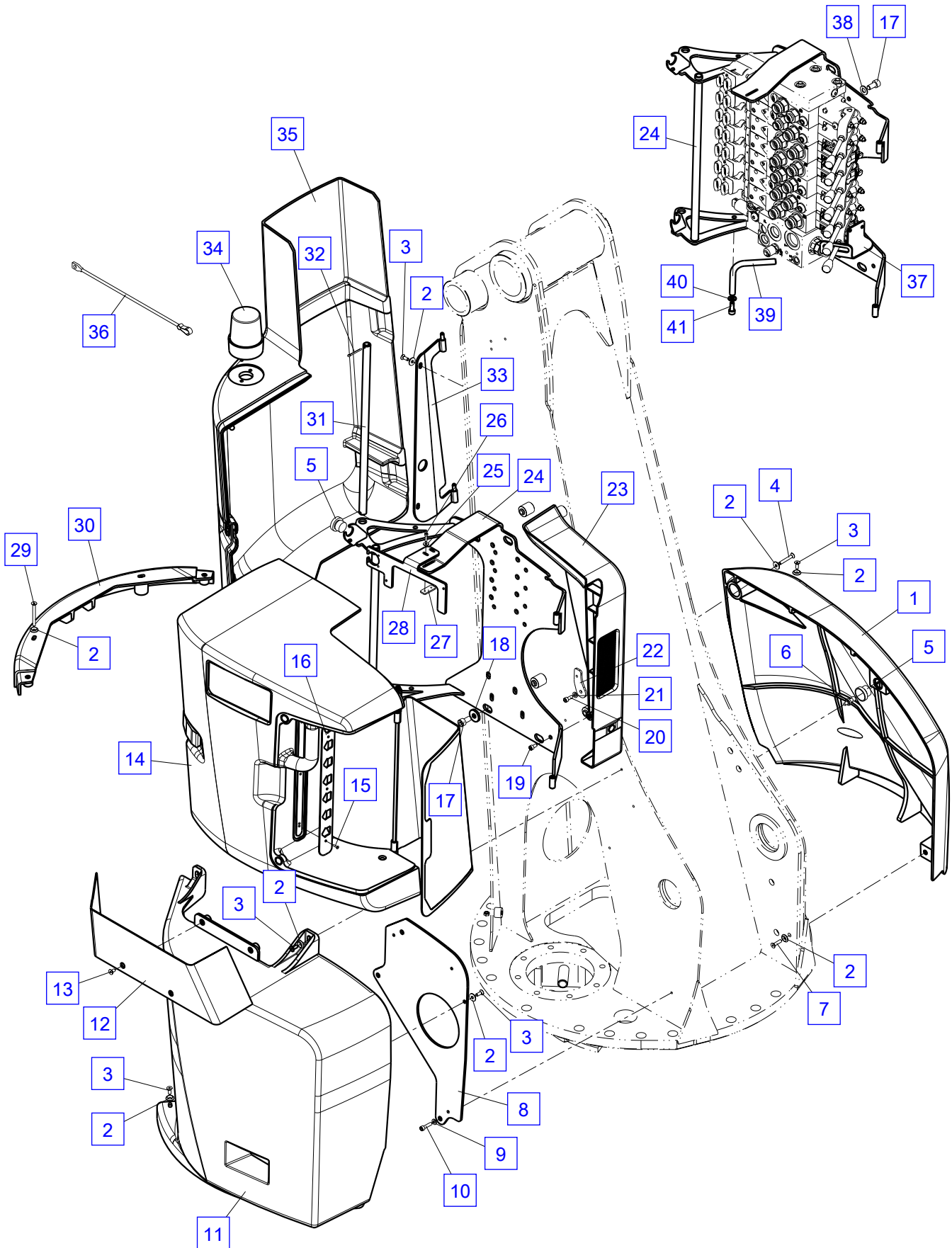
Piping - lube system 1GETR

No.	Spare part	Qty.	Description	Dimension
1	EA 005	1	Grease nipple	M10x1 DIN71412
2	EA1898	1	Fitting	GE 8 S M 10x1
3	HLR13697	1	Pipe	D 8
4	EA1747	1	Adaptor	WEE 08S R1/4"
5	EA 244	1	Locking screw	vsti M 10x1



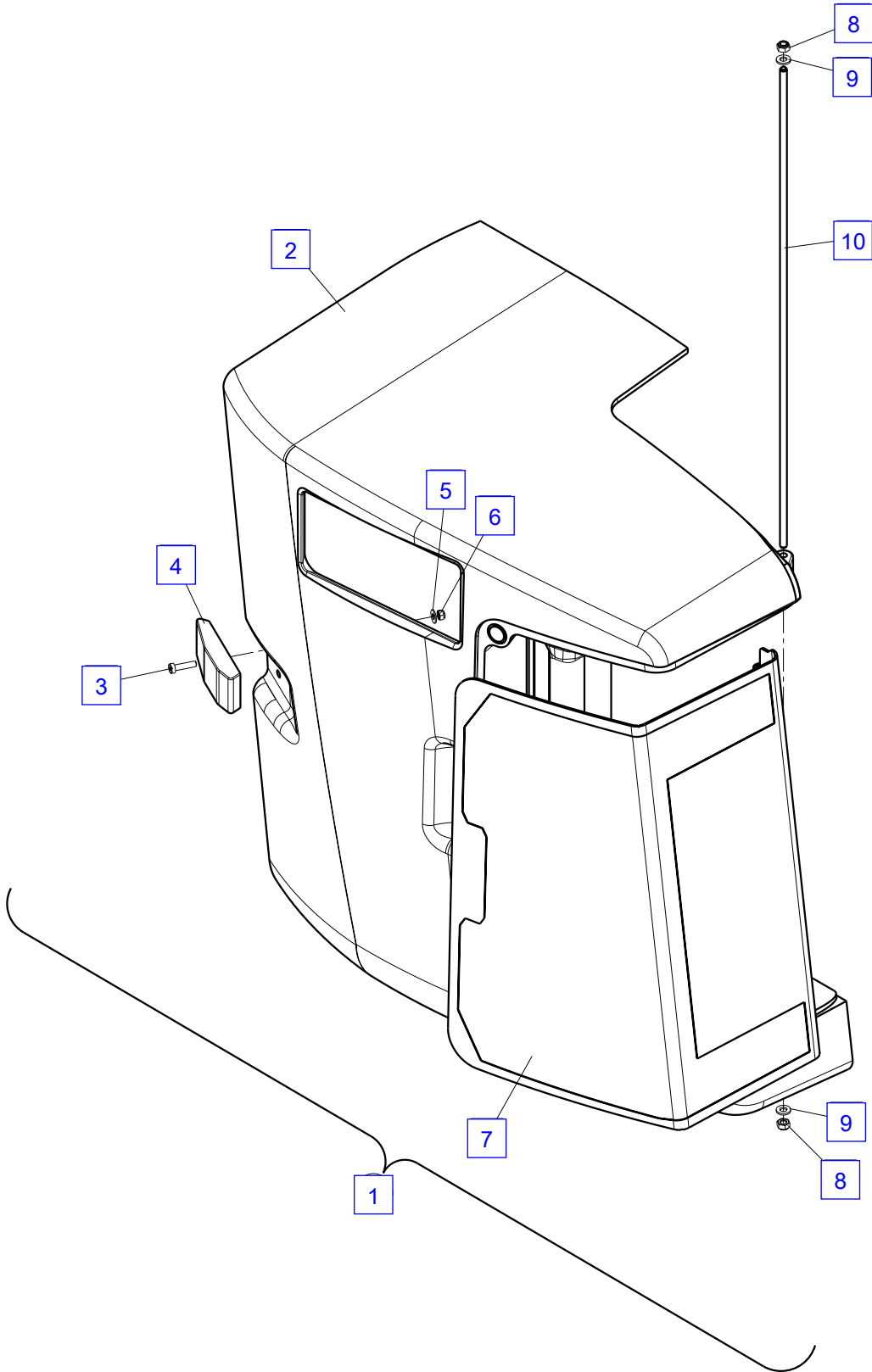
Bracket NK (M4-12)

No.	Spare part	Qty.	Description	Dimension
1	HXE3692	1	Cover 1-Slewing gear	
2	EK 567	11	Washer	D 6
3	ES 418	7	Screw	M6x16 ISO14581- 8.8
4	ES 545	1	Screw	M 6x40 DIN 7991
5	EZ2318	3	Locking mechanism	
6	EZ2325	1	Locking mechanism	
7	ES1330	1	Screw	M 6x25 ISO14581- 8.8
8	HXE3660	1	Bracket	
9	EK 307	3	Washer	D6 ISO7089-A2-HV140
10	ES 042	3	Screw	M 6x25 DIN 912
11	HXE3666	1	Cover	
12	HA22884	1	Cover	
13	ES 419	2	Screw	M6x12 ISO14581- 8.8
14	HXE3514	1	Cover see page 0400.07101-A	
15	EK 095	3	Pop - rivet	D 3,2x16,5
16	HT22640	1	Bearer	
17	ES 050	8	Screw	M 10x20 ISO4762-10.9
18	EK2719	4	Washer	D 10 DIN 6340
19	ES1150	2	Screw	M 6x12 - 8.8 - ISO4762
20	ES 175	2	Screw	M 6x16 ISO4762- 8.8
21	EK 190	2	Washer	DIN134-06-ST
22	HT6052	1	Bearer	
23	HXE3174	1	Cover	
24	HXE3069	1	Bracket	
25	EK 564	2	Washer	D 4 DIN 9021
26	ES 853	2	Screw	M4x16 - 8.8 - ISO4762
27	HTR3850	1	Fastening plate	L0035.0xB0015xS003
28	HA9320	1	Bearer	
29	ES1823	2	Screw	M 6x60 DIN 7991
30	HXE3668	1	Cover	
31	HI3360	1	Axle	
32	EQ 867	2	Split pin	D 3,2x32 ISO 1234
33	HXE3191	1	Bracket	
34	EEA15937	1	Light, green	M 12
34	EEA17020	1	Adapter cable	MIC - M 12
35	HXE3669	1	Cover	
36	EZ3332	1	Grappling rope 1-Slewing gear	l=400 mm
37	HA9460	1	Bracket	
38	EK 007	4	Washer	D 10.5 ISO7089
39	HA12619	1	Deflector	
40	EK 003	1	Washer	D 8.4 ISO7089
41	ES 265	1	Screw	M 8x20 ISO4762- 8.8



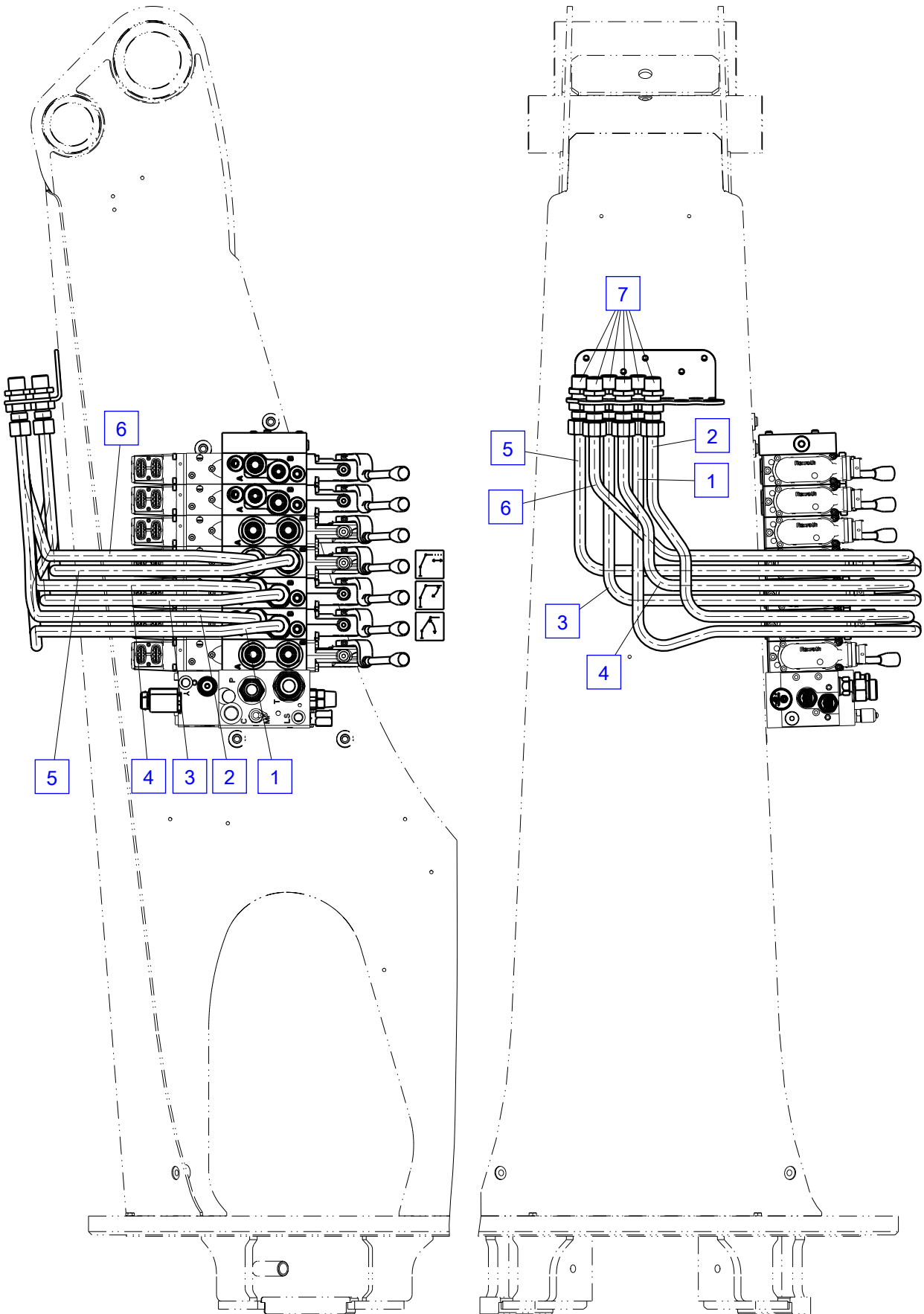
Cover HXE3514

No.	Spare part	Qty.	Description	Dimension
1	HXE3514	1	Cover	
2	HXE3172	1	Cover	
3	ES 508	3	Screw	M 5x20 DIN 7984
4	EZ2854	1	Locking mechanism	
5	EK 059	3	Washer	D 5,3 DIN 134
6	EM 040	3	Nut	DIN985-8 M5
7	HXE3173	1	Cover	
8	EM 014	2	Nut	DIN 985-8 M 6
9	EK 307	2	Washer	D6 ISO7089-A2-HV140
10	HIG 869	1	Pin	



Piping - standard M4-12

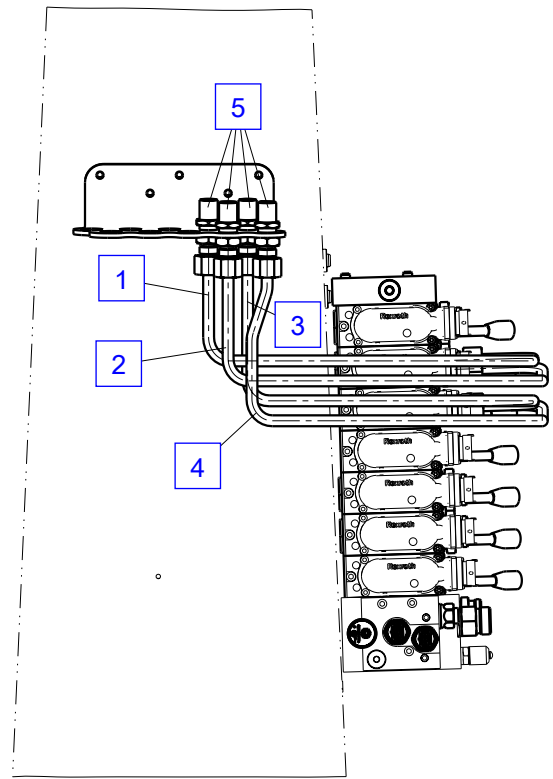
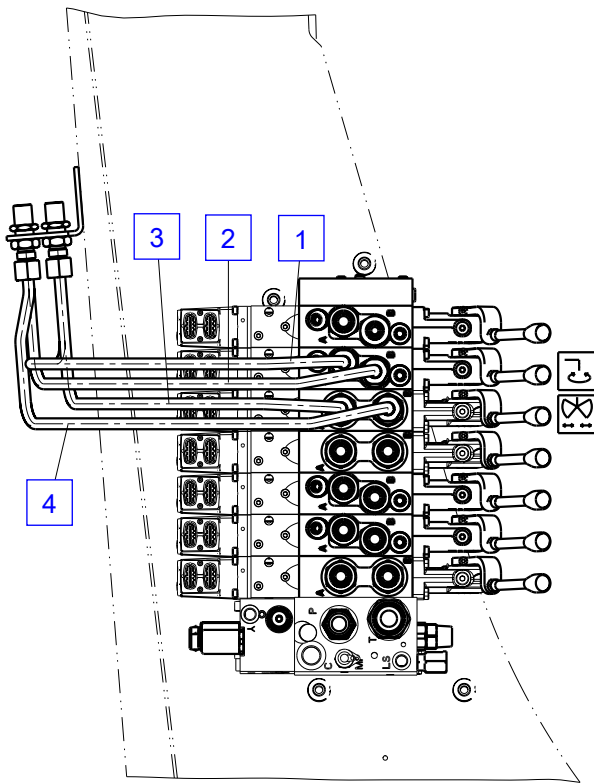
No.	Spare part	Qty.	Description	Dimension
1	HLR14592	1	Pipe	D 16
2	HLR14591	1	Pipe	D 16
3	HLR14391	1	Pipe	D 16
4	HLR14390	1	Pipe	D 16
5	HLR14393	1	Pipe	D 16
6	HLR14392	1	Pipe	D 16
7	EA 230	6	Bulkhead fitting	SV 16 S



Piping - auxiliary equipments M4-12

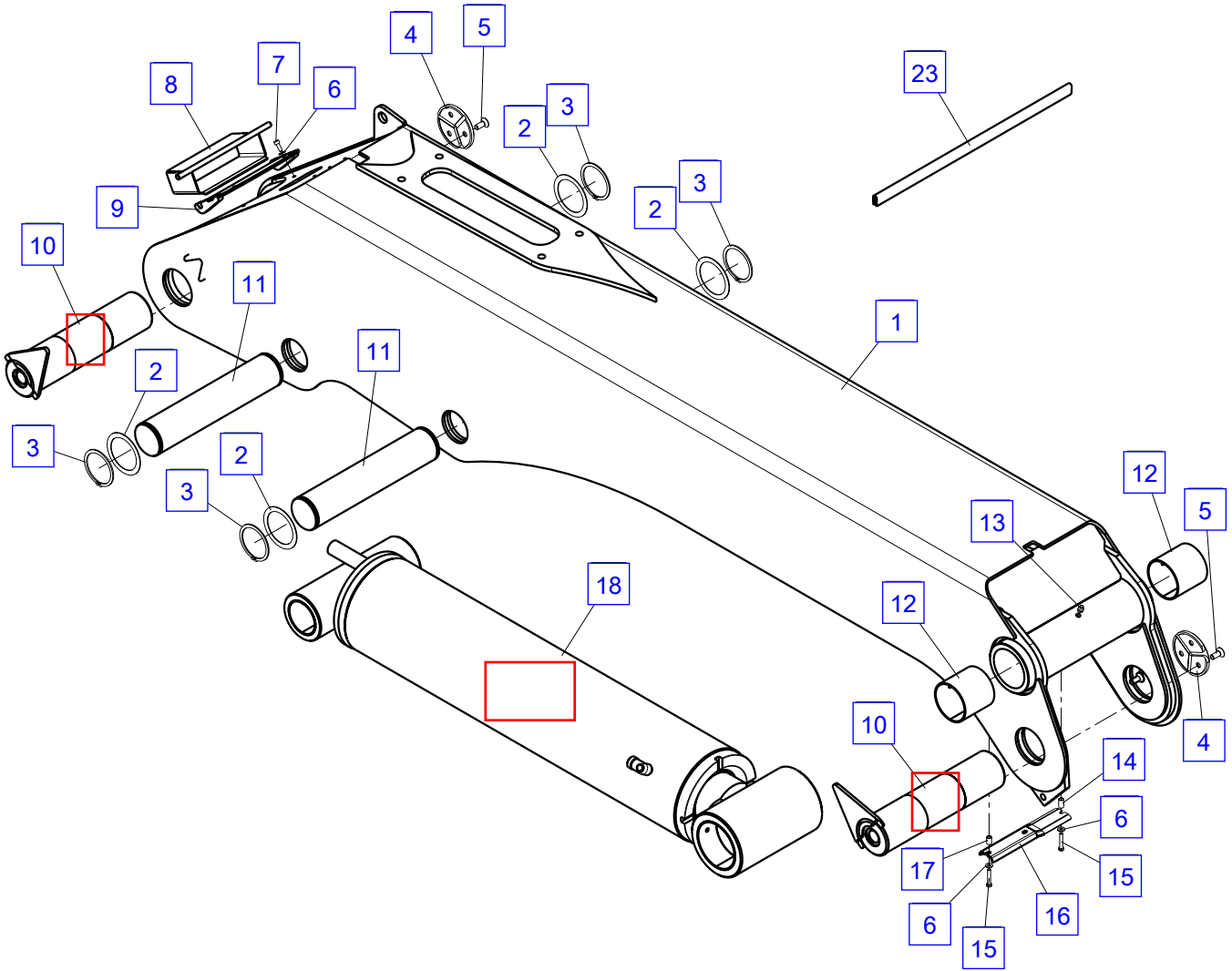
No.	Spare part	Qty.	Description	Dimension
1	HLR14407	1	Pipe	D 12
2	HLR14408	1	Pipe	D 12
3	HLR14409	1	Pipe	D 12
4	HLR14406	1	Pipe	D 12
5	EA 489	0	Bulkhead fitting	SV 12 S

Version SL



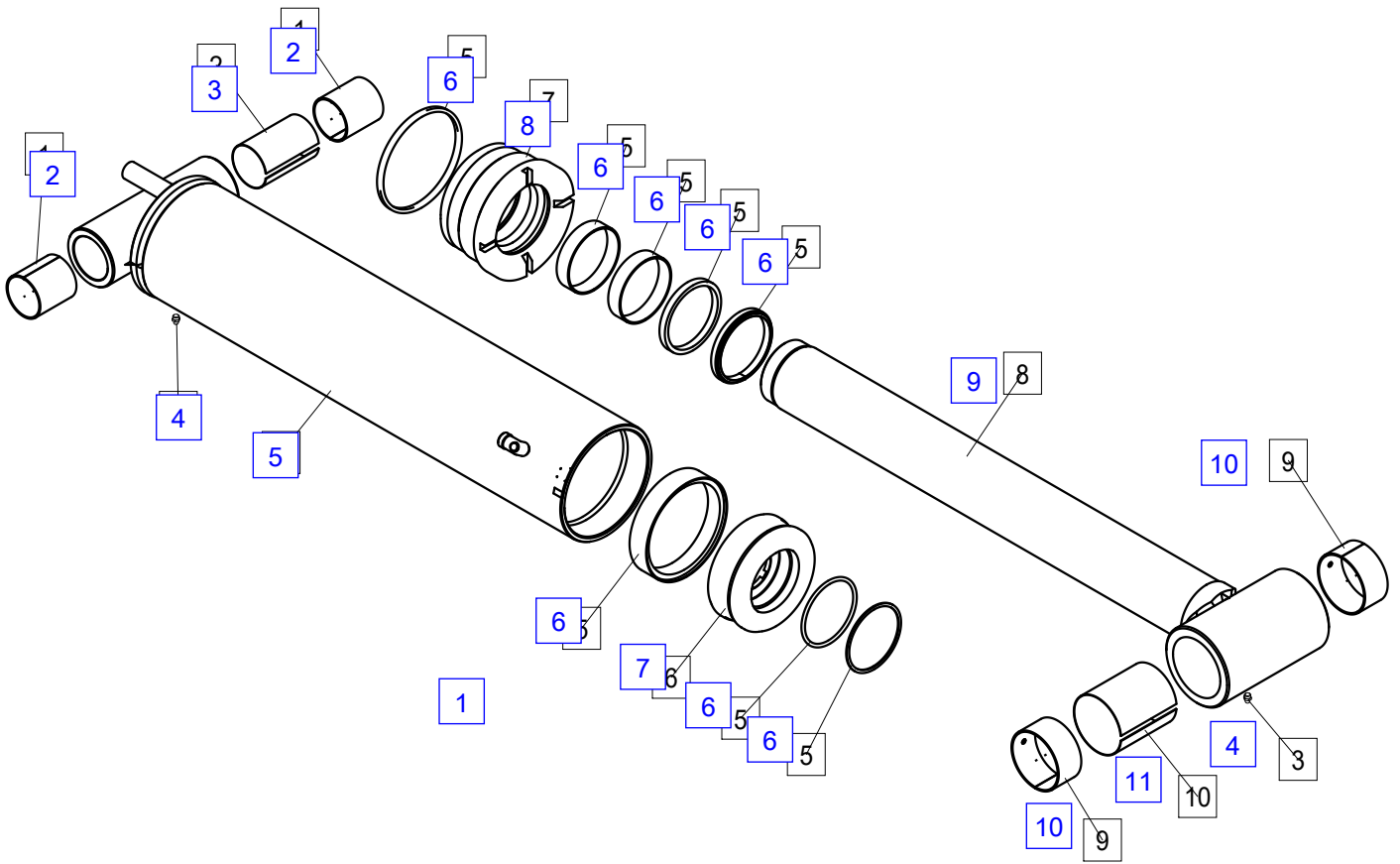
Main boom

No.	Spare part	Qty.	Description	Dimension
1	S407H01SB+00001	1	Main boom (Standard colour RAL 2002)	
2	HBS 760	4	Spacer	1,5 mm
2	HBS 888	4	Spacer	2,0 mm
3	EQ 062	4	Circlip	D 70 DIN 471
4	HD2080	2	Cover	D95.0xS8.0
5	ES2571	6	Screw	M 12x25 DIN 7991
6	EK 043	4	Washer	D 6.4 DIN 134
7	ES 175	2	Screw	M 6x16 ISO4762- 8.8
8	HXE3711A	1	Bearer	
9	HXE3710	1	Hose holder	
10	HIG 807A	2	Pin Encoder see page 0500.01002-A	D080.0xL0324.0
11	HI3076	2	Pin	
12	ELG 019	2	Bearing bush	D 85x80x80
13	EA 005	1	Grease nipple	M10x1 DIN71412
14	HBS3507	1	Spacer	L=18 mm
15	ES 080	2	Screw	M 6x35 DIN 6912
16	HA7484	1	Hose clamp	L0215.8xB046.0xS03.0
17	HBS3508	1	Spacer	D10.0xd7.0xL=14.5 mm
18	UP1821A	1	Outer boom ram see page 0500.01001-A	
23	EZ 578	0	Edge protection (metro goods)	4-6 mm



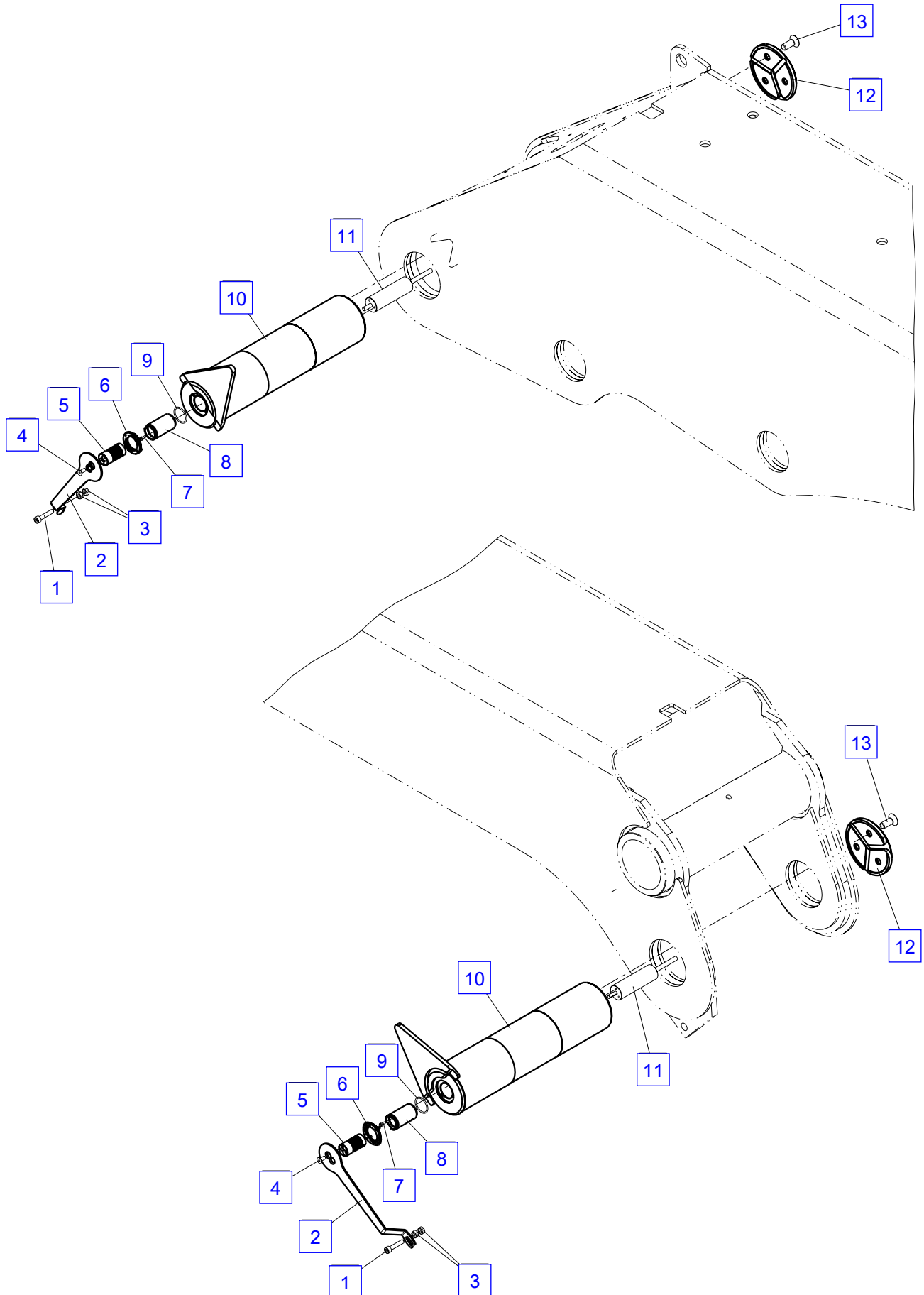
Outer boom ram - details

No.	Spare part	Qty.	Description	Dimension
1	UP1821A	1	Outer boom ram	
2	ELG 007	2	Bearing bush	D 70x75x80
3	HBD 408	1	Spacer	
4	EA 005	2	Grease nipple	M10x1 DIN71412
5	HY1583A	1	Cylinder tube	
6	TD 560A	1	Seal kit	
7	HK 729	1	Piston	
8	HV 391A	1	Cylinder nut	
9	HSK1424A	1	Piston rod	Cr
10	ELG 166	2	Bearing bush	d100xD105xL050
11	HBD 409	1	Spacer	



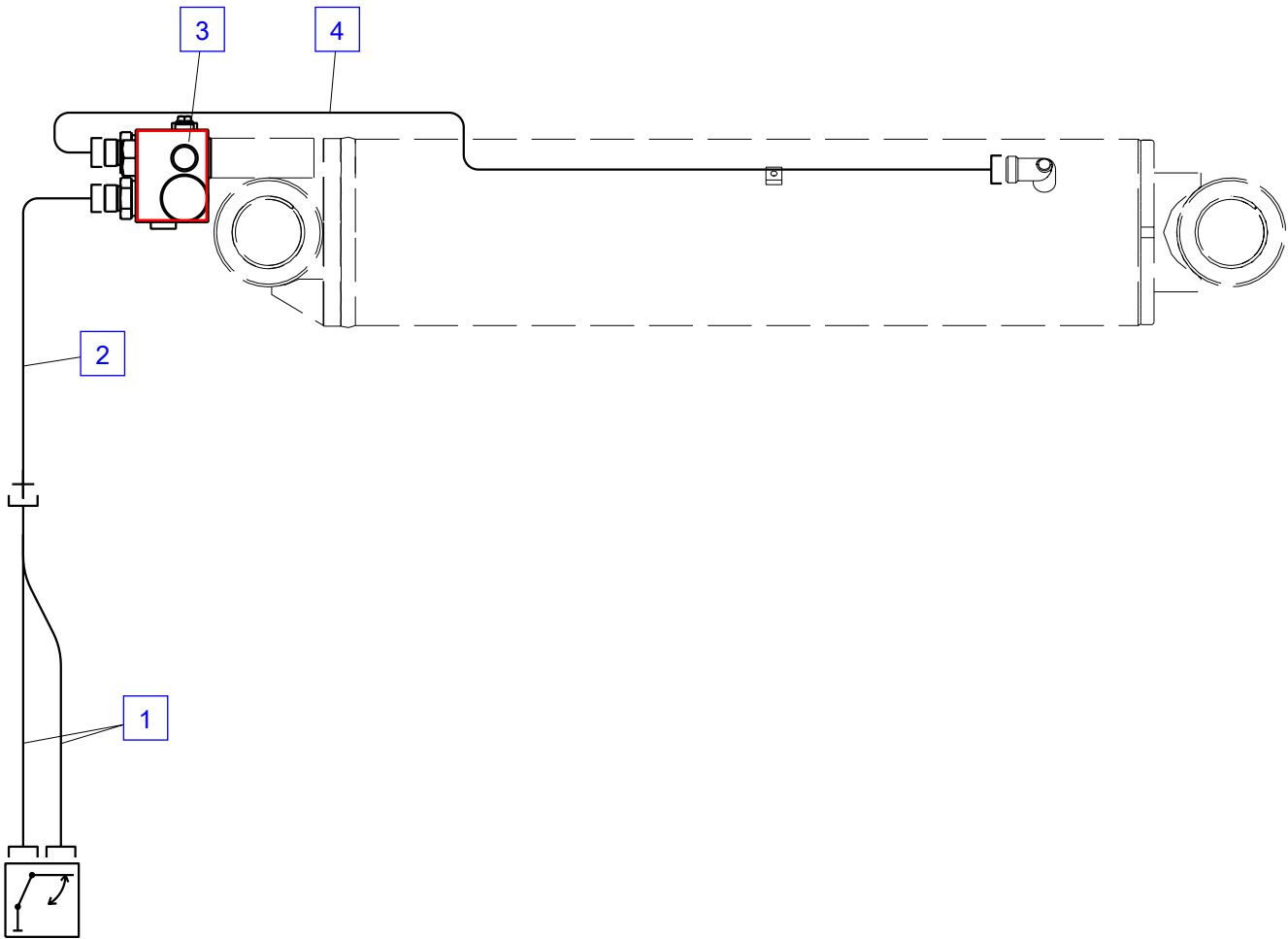
Encoder

No.	Spare part	Qty.	Description	Dimension
1	ES 087	2	Screw	M 6x30 - 8.8 - ISO4762
2	HA4834	2	Saveguarding	
3	EM 004	4	Nut	DIN 934 M6 CL8 ZB
4	ES2493	4	Screw	M 5x8 ISO 14581
5	EK1129	2	Coupling	
6	HX 063	2	Holding ring	
7	ES1820	6	Screw	M 3x8 DIN 7984
8	HBB 125	2	Bushing	D025.0xd021.0xL045.5
9	EO 142	2	O-ring not for EEA11087	D 22x2
10	HIG 807A	2	Pin	D080.0xL0324.0
11	EEA4904	2	Shaft encoder with cable	5 m
12	HD2080	2	Cover	D95.0xS8.0
13	ES2571	6	Screw	M 12x25 DIN 7991



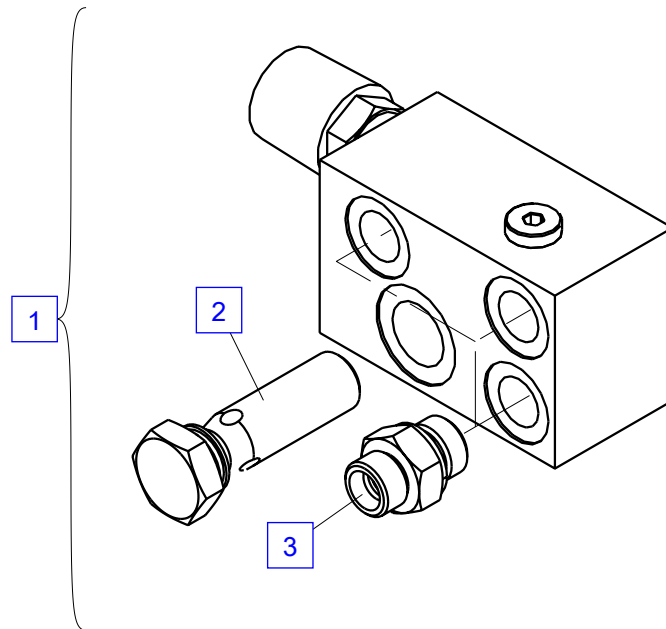
Piping - outer boom cylinder

No.	Spare part	Qty.	Description	Dimension
1	HLR....	2	Pipe see page 0400.08...	
2	EH6561	2	Hose	NW 12x1450
3	UV505-390	1	Load holding valve see page 0500.02001-A	
4	HLR10965	1	Pipe	D 16



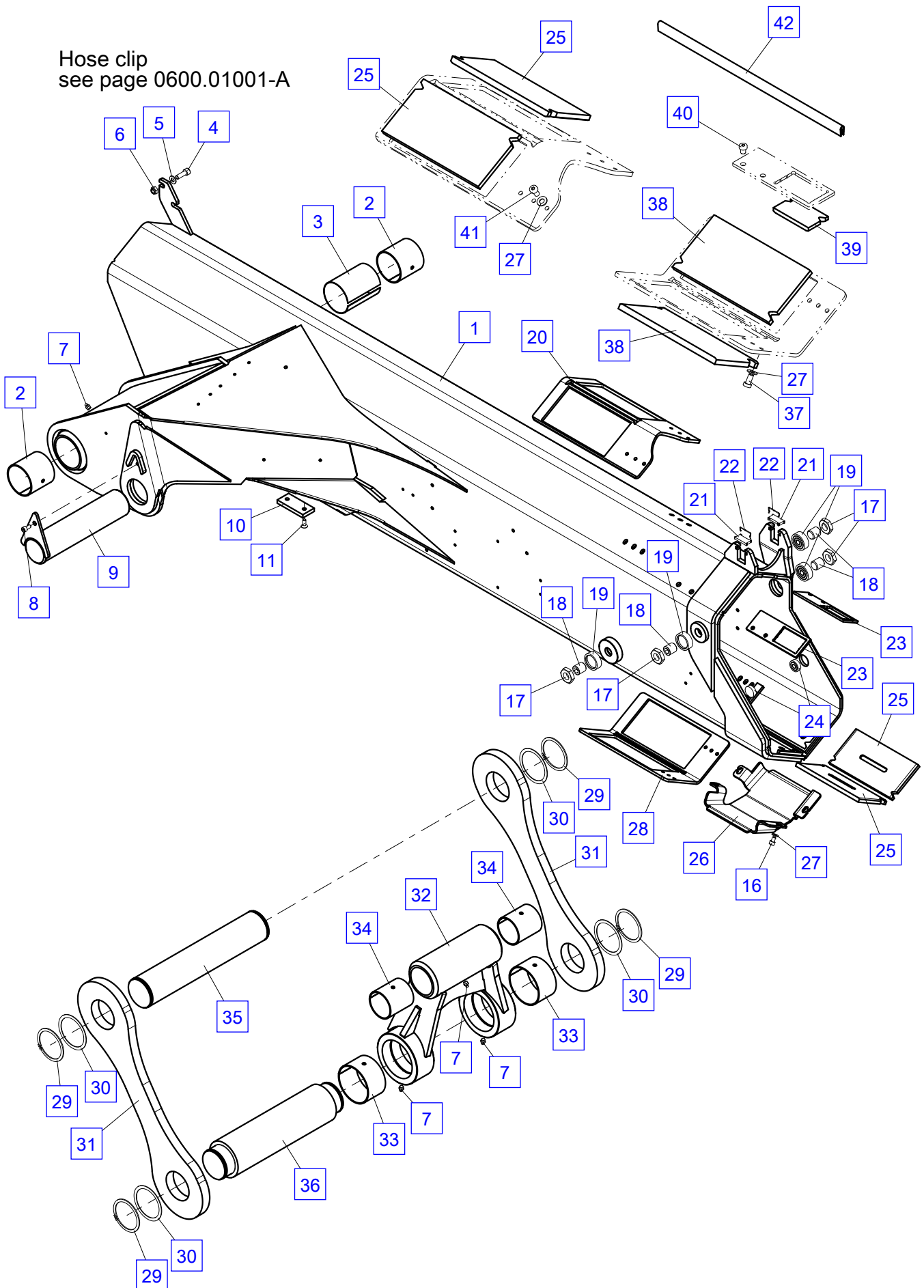
Load holding valve UV505-390,UV539-405

No.	Spare part	Qty.	Description	Dimension
1	UV505-390	1	Load holding valve	
2	EA2272	1	Banjo bolt	
3	EA 074	3	Fitting	GE 16S R1/2"-ED



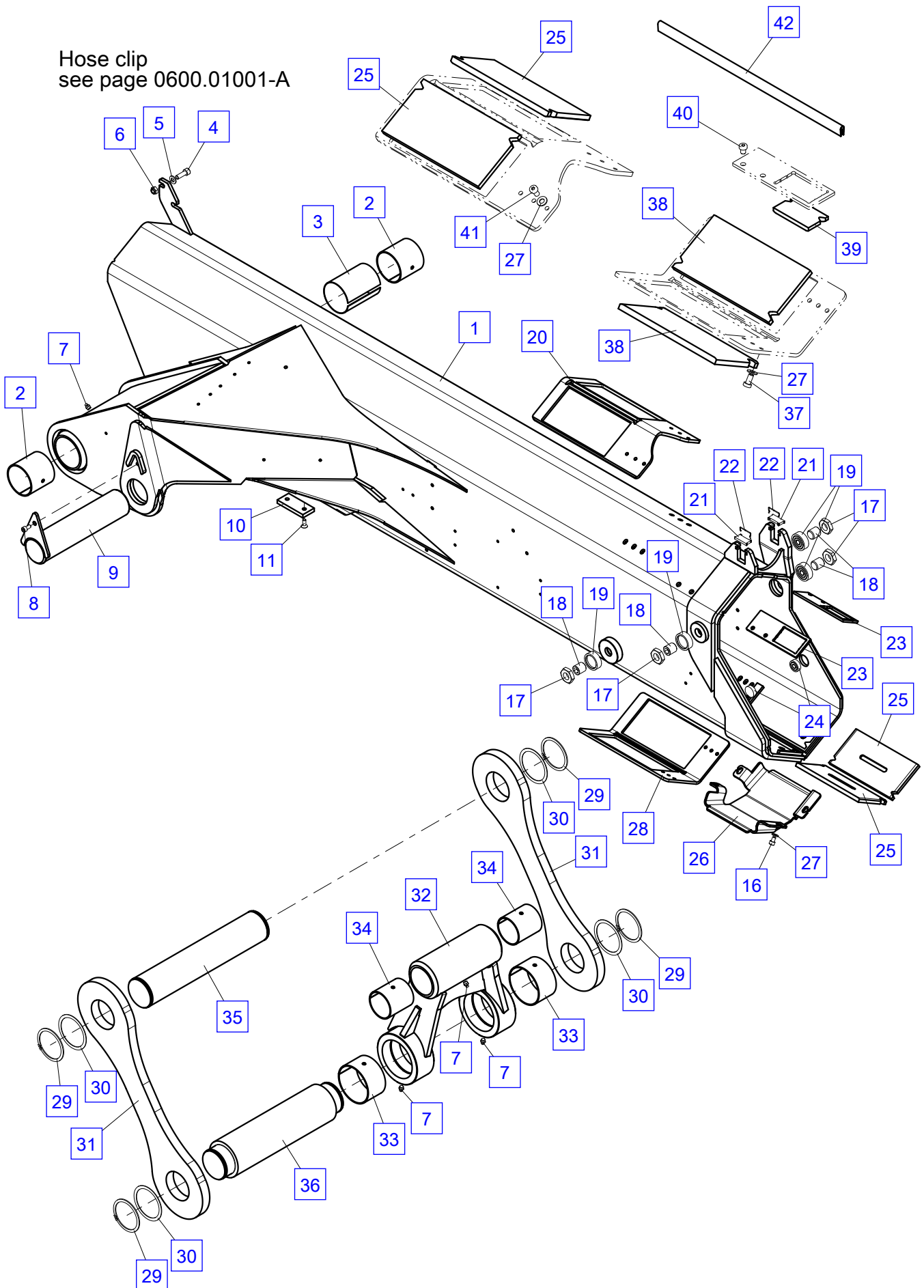
Outer boom

No.	Spare part	Qty.	Description	Dimension
1	S407K30SA+00001	1	Outer boom (Standard colour RAL 2002)	
2	ELG 019	2	Bearing bush	D 85x80x80
3	HBD 219	1	Spacer	
4	ES 031	2	Screw	M 10x30 ISO4762-10.9
5	EK 007	2	Washer	D 10.5 ISO7089
6	EM 021	2	Nut	DIN 985 M10 CL8 ZB
7	EA 005	4	Grease nipple	M10x1 DIN71412
8	ES 264	1	Screw	M8x16 ISO4762- 8.8
9	HI7239	1	Pin	D070.0xL0293.0
10	HTR3920	1	Stop buffer	10 mm
10	HTR3921	1	Stop buffer	12 mm
10	HTR3922	1	Stop buffer	13 mm
10	HTR3956	1	Stop buffer	15 mm
10	HTR3957	1	Stop buffer	16 mm
10	HTR3958	1	Stop buffer	18 mm
10	HTR3959	1	Stop buffer	20 mm
10	HTR3923	1	Stop buffer	14 mm
10	HTR3924	1	Stop buffer	8 mm
11	ES 109	2	Screw	M 8x20 ISO14581- 8.8
11	ES 297	2	Screw	M 8x25 ISO14581- 8.8
16	ES 374	0	Screw	M 8x12 ISO4762- 8.8
17	EM 192	4	Nut	M 24x1.5 DIN 936
18	HIG 958	4	Pin	D 24x25 mm
19	EZ2848	4	Guide block	D 45x15
20	HA7415B	1	Bearer	
21	HT1040	2	Bearer	L=42 B=19 S=6
22	EF 144	2	Spring	
23	HT9378	2	Bearer	L0175xB0070xS005
24	EZ2983	2	Guide block	D 30x9
25	HF1376A+00010	1	Guide block	10 mm
25	HF1376A+00011	1	Guide block	11 mm
25	HF1376A+00012	1	Guide block	12 mm
25	HF1376A+00013	1	Guide block	13 mm
25	HF1376A+00014	1	Guide block	14 mm
25	HF1376A+00015	1	Guide block	15 mm
25	HF1376+00016	1	Guide block	16 mm
25	HF1376+00017	1	Guide block	17 mm
26	HA4256A	1	Hose protection	L0303xB0235.6xS004
27	EK 003	0	Washer	D 8.4 ISO7089
28	HA9492	1	Bearer	
29	EQ 076	4	Circlip	D 80 DIN 471
30	HBS 889	4	Spacer	1,5 mm
30	HBS 890	4	Spacer	2,0 mm
31	S407L05-A	2	Linkage system	
32	S407L07-A	1	Linkage system (+32,33)	
33	ELG 190	2	Bearing bush	D 105x100x60
34	ELG 007	2	Bearing bush	D 70x75x80
35	HI3079	1	Pin	D080.0xL0402.0
36	HI3080	1	Pin	D100.0xL0402.0
37	ES 051	6	Screw	M 8x16 DIN 7984 8.8
38	HF 937	1	Guide block	10mm l=220mm
38	HF 939	1	Guide block	12mm l=220mm
38	HF1414	1	Guide block	9 mm
38	HF1415	1	Guide block	8 mm
38	HF1416	1	Guide block	7 mm
38	HF1417	1	Guide block	6 mm
38	HF 968	1	Guide block	13mm l= 220mm
39	HF1405	1	Guide block	7 mm



Outer boom

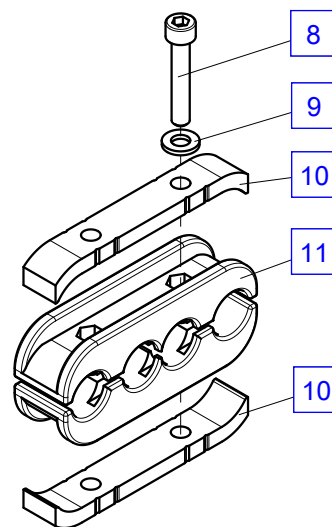
No.	Spare part	Qty.	Description	Dimension
39	HF1406	1	Guide block	6 mm
39	HF 835A	1	Guide block	9 mm
39	HF 836A	1	Guide block	10 mm
39	HF 838A	1	Guide block	12 mm
39	HF 837A	1	Guide block	11 mm
39	HF 834A	1	Guide block	8 mm
40	ES 243	1	Screw	M 10x10 DIN7984
40	ES1179	1	Screw	M 10x12 DIN 7984
40	ES1430	1	Screw	M 10x14 DIN 7984
41	ES1514	6	Screw	M 8x14 DIN 7984 8.8
42	EZ 578	0	Edge protection (metro goods)	4-6 mm



Hose clip

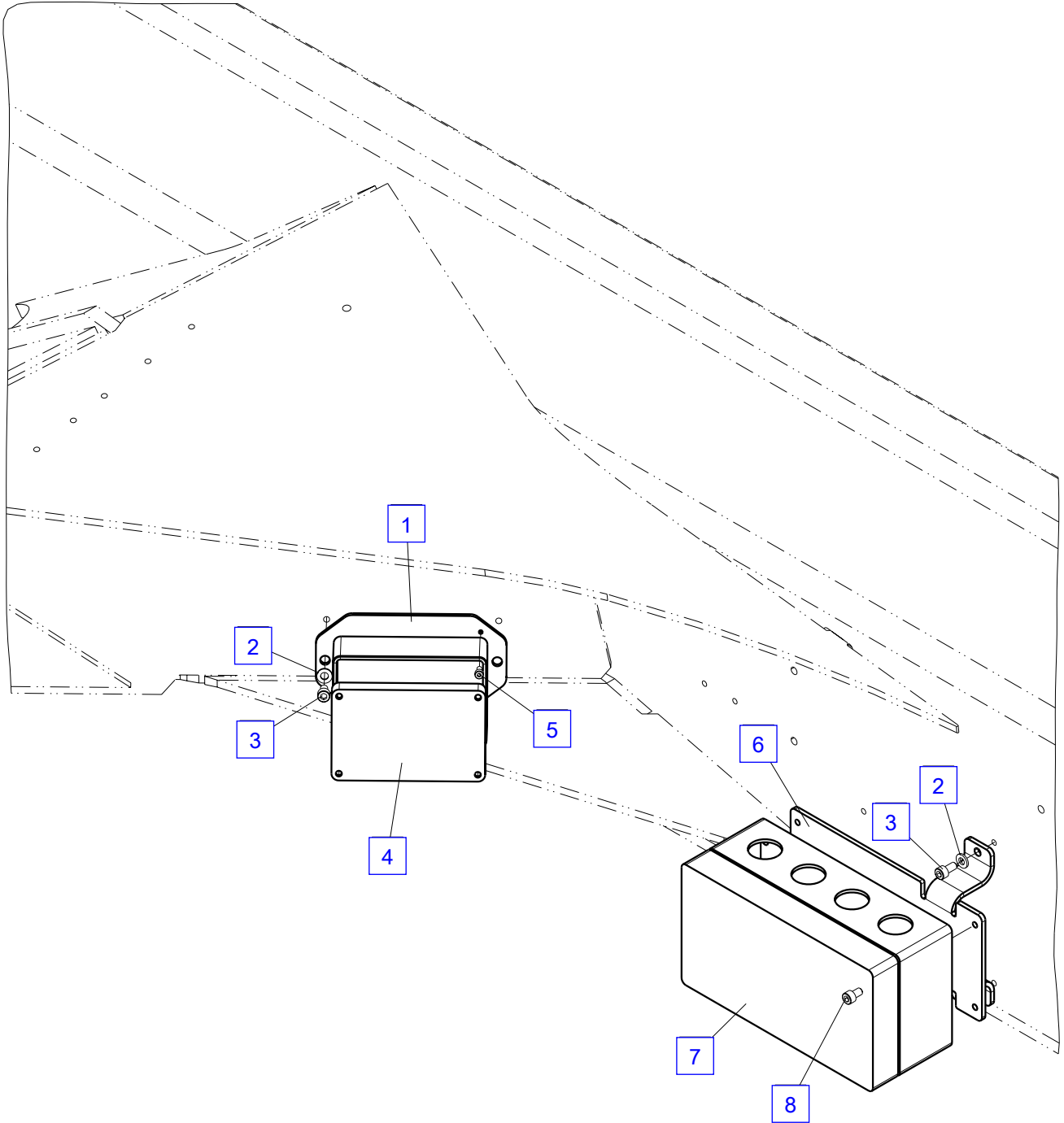
No.	Spare part	Qty.	Description	Dimension
1	ES 104	0	Screw	M 6x50 ISO4762-10.9
3	EZ1718	0	Stop plate	
4	EZ1589	0	Hose clip	NW 10
6	EZ1590	0	Hose clip	NW 12
8	ES 856	6	Screw	M 6x35 ISO4762- 8.8
9	EK 043	6	Washer	D 6.4 DIN 134
10	HTR 810B	6	Plate	L0090.0xB0015.0xS006.0
11	EZ 124	3	Hose clip	D 17x4

Auxiliary equipment



Attachments - Clamp housing

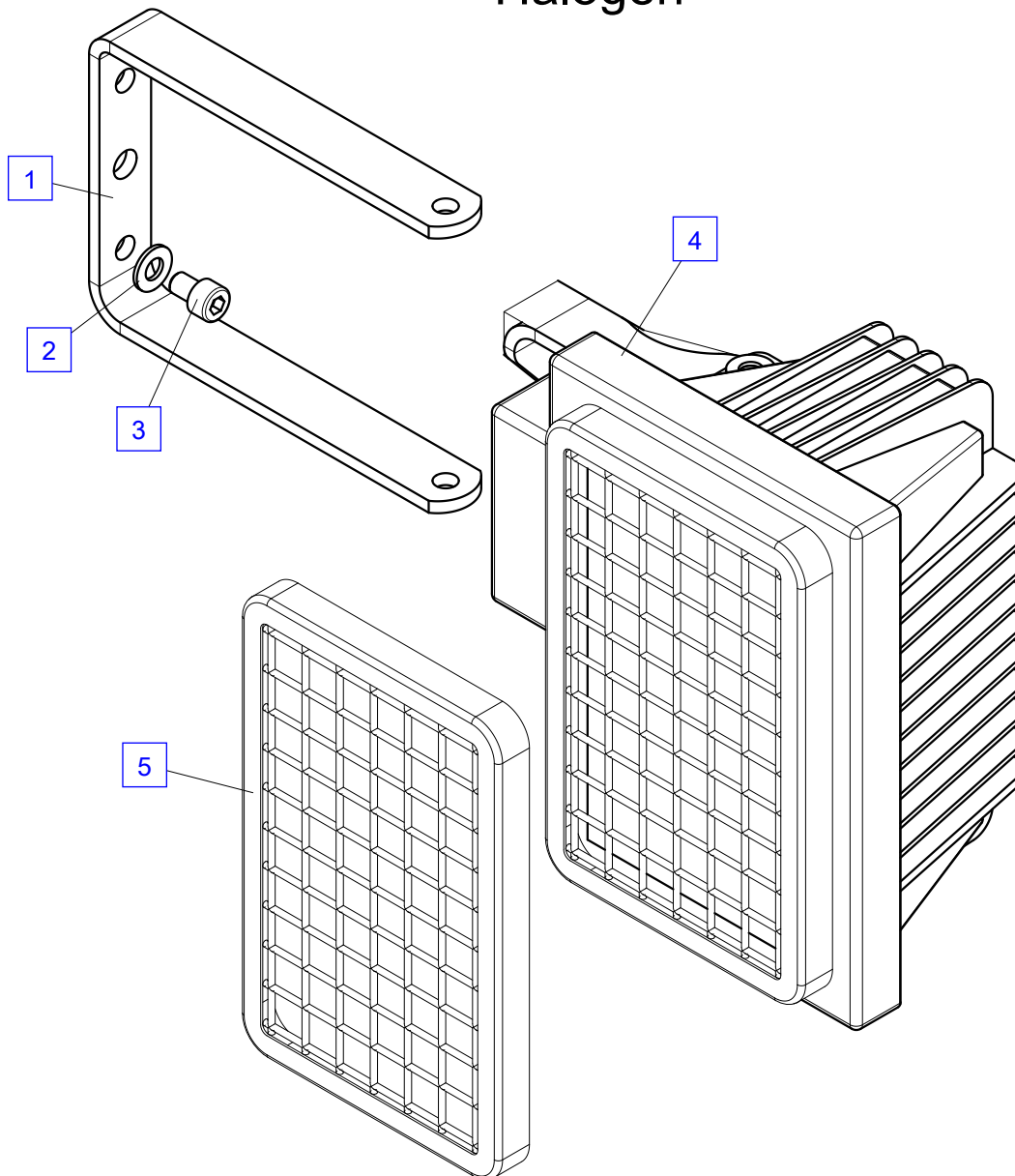
No.	Spare part	Qty.	Description	Dimension
1	HTR4023	1	Fastening plate	
2	EK 190	4	Washer	DIN134-06-ST
3	ES1150	4	Screw	M 6x12 - 8.8 - ISO4762
4	EEA3685	1	Connection box	125x80x57 mm
5	ES 852	2	Screw	ISO4762 M 4 x 10
6	HA10115	1	Bearer	
7	EEA11683	1	Connection box	220x120x91
	ES3567	4	Screw	M 6x25 ISO4762
	ES3568	4	Screw	M 6x30 ISO4762
	ES3569	4	Screw	M 6x35 ISO4762
8	ES 414	4	Screw	M6x10 ISO4762 - 8.8



Working light

No.	Spare part	Qty.	Description	Dimension
1	HA7050	1	Bearer	L0441.3xB0025xS005
2	EK 003	2	Washer	D 8.4 ISO7089
3	ES 264	2	Screw	M8x16 ISO4762- 8.8
4	EEA 242	1	Headlight	12/24 VDC
	EEA 243	1	Spare lamp/light	24V 100W
	EEA3507	1	Spare lamp/light	12V 50W
5	EZ 934	1	Screen	

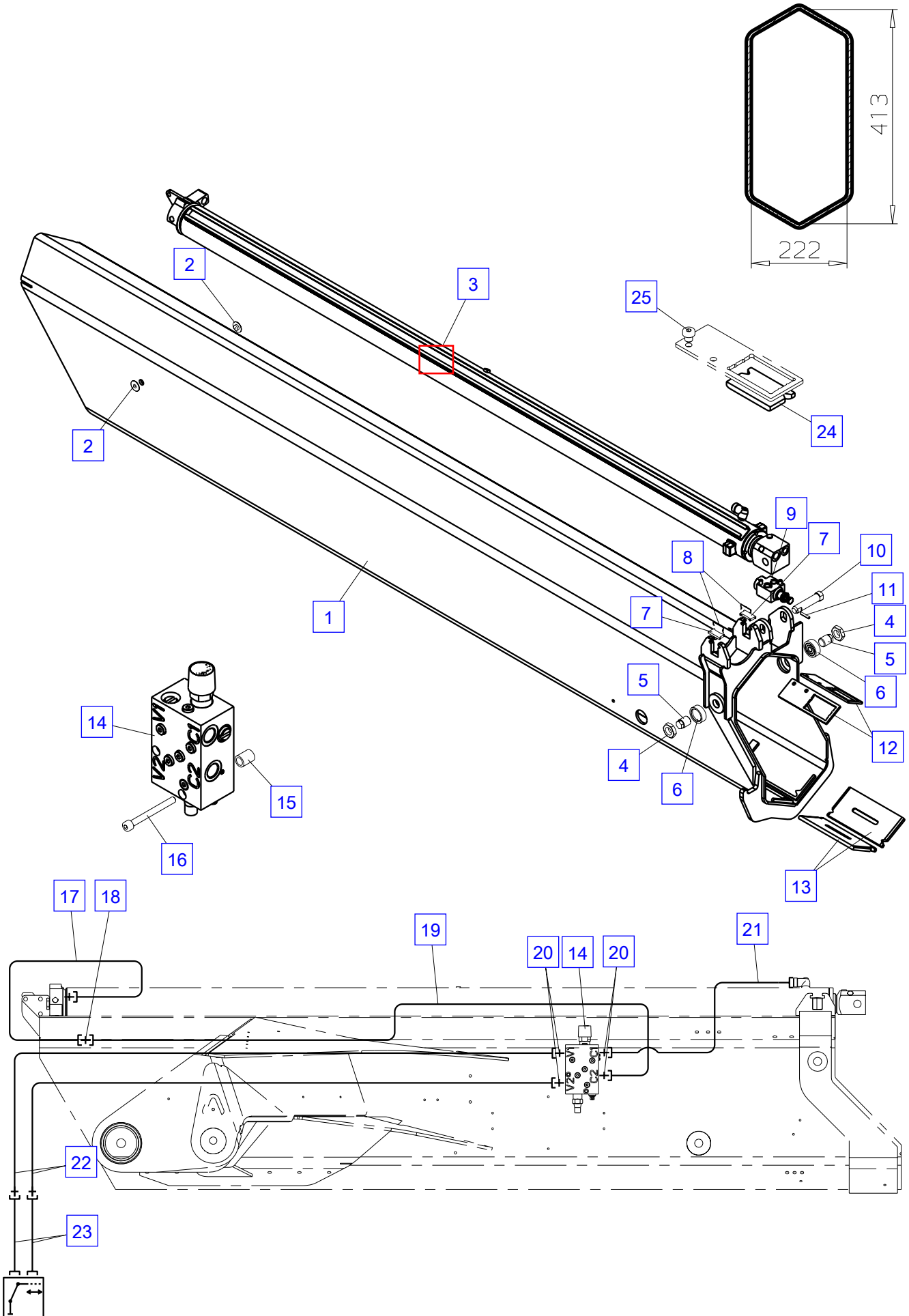
Halogen



Extension boom 1 + piping

No.	Spare part	Qty.	Description	Dimension
1	S407T01-C	1	Boom extension-1	413x222 mm
2	HF 575A	1	Guide	2 mm
2	HF 576A	1	Guide	4 mm
2	HF 577A	1	Guide	5 mm
2	HF 578A	1	Guide	6 mm
2	HIA 130A	1	Guide	3 mm
2	HF 608A	1	Guide	1,5 mm
2	HF 727A	1	Guide	7 mm
3	UP1797C	1	Extension boom ram see page 0700.01001-A	
4	EM 192	2	Nut	M 24x1.5 DIN 936
5	HIG 957	2	Pin	D 24x33 mm
6	EZ2848	2	Guide block	D 45x15
7	HT1040	2	Bearer	L=42 B=19 S=6
8	EF 144	2	Spring	
9	UV223	1	Sequence valve	
10	HI7197	1	Pin	D024.0xL0097.0
11	EQ 218	1	Winding pin	D 6x30 ISO8752
12	HT9378	2	Bearer	L0175xB0070xS005
13	HF1384A+00009	1	Guide block	9 mm
13	HF1384A+00010	1	Guide block	10 mm
13	HF1384A+00011	1	Guide block	11 mm
13	HF1384A+00012	1	Guide block	12 mm
13	HF1384A+00013	1	Guide block	13 mm
13	HF1384A+00014	1	Guide block	14 mm
13	HF1384+00015	1	Guide block	15 mm
13	HF1384+00016	1	Guide block	16 mm
14	UV532-430	1	Load holding valve	
	EK2966	1	Cape, black	
	EK2967	2	Cape, blue	
15	HBS1020A	2	Spacer	l=23 mm
16	ES1159	2	Screw	M 8x80 ISO4762- 8.8
17	HLR10053	1	Pipe	D 16
18	EA 496	1	Fitting	G 16 S
19	HLR10054	1	Pipe	D 16
20	EA 074	4	Fitting	GE 16S R1/2"-ED
21	HLR10055	1	Pipe	D 16
22	EH6558	2	Hose	NW 12x4700
23	HLR...	2	Pipe 0400.08... see page	
24	HF1405	1	Guide block	7 mm
24	HF1406	1	Guide block	6 mm
24	HF 835A	1	Guide block	9 mm
24	HF 836A	1	Guide block	10 mm
24	HF 838A	1	Guide block	12 mm
24	HF 837A	1	Guide block	11 mm
24	HF 834A	1	Guide block	8 mm
25	ES 243	1	Screw	M 10x10 DIN7984
25	ES1179	1	Screw	M 10x12 DIN 7984
25	ES1430	1	Screw	M 10x14 DIN 7984

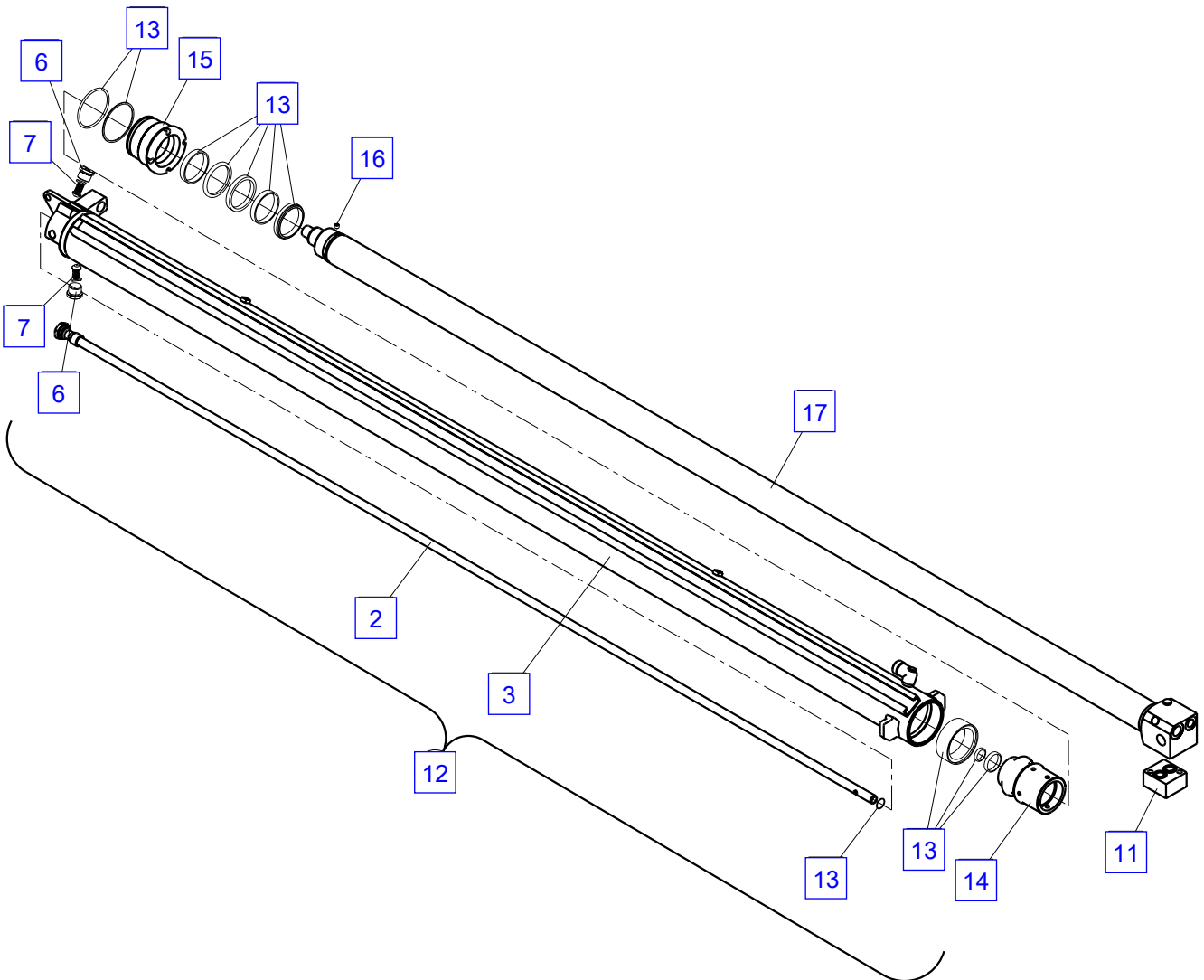
Extension boom 1 + piping



Boom extensions ram 1,2 details

No.	Spare part	Qty.	Description	Dimension
2	HLA1154A	1	Inner tube	
3	HY1562	1	Cylinder tube	
6	EA 684	2	Locking screw	M22x1.5
7	EV1455	2	Check valve	I-TL 15-L/16-S
11	HGA 012	1	Housing, cpl.	
12	UP1797C	1	Extension boom ram	
13	TD 530A	1	Seal kit	
14	HK 737B	1	Piston	
15	HV 373A	1	Cylinder nut	M080x2.0 d055xL065
16	ES1645	1	Set screw	M 8x8 ISO4027- 45H
17	HSK1407B	1	Piston rod	

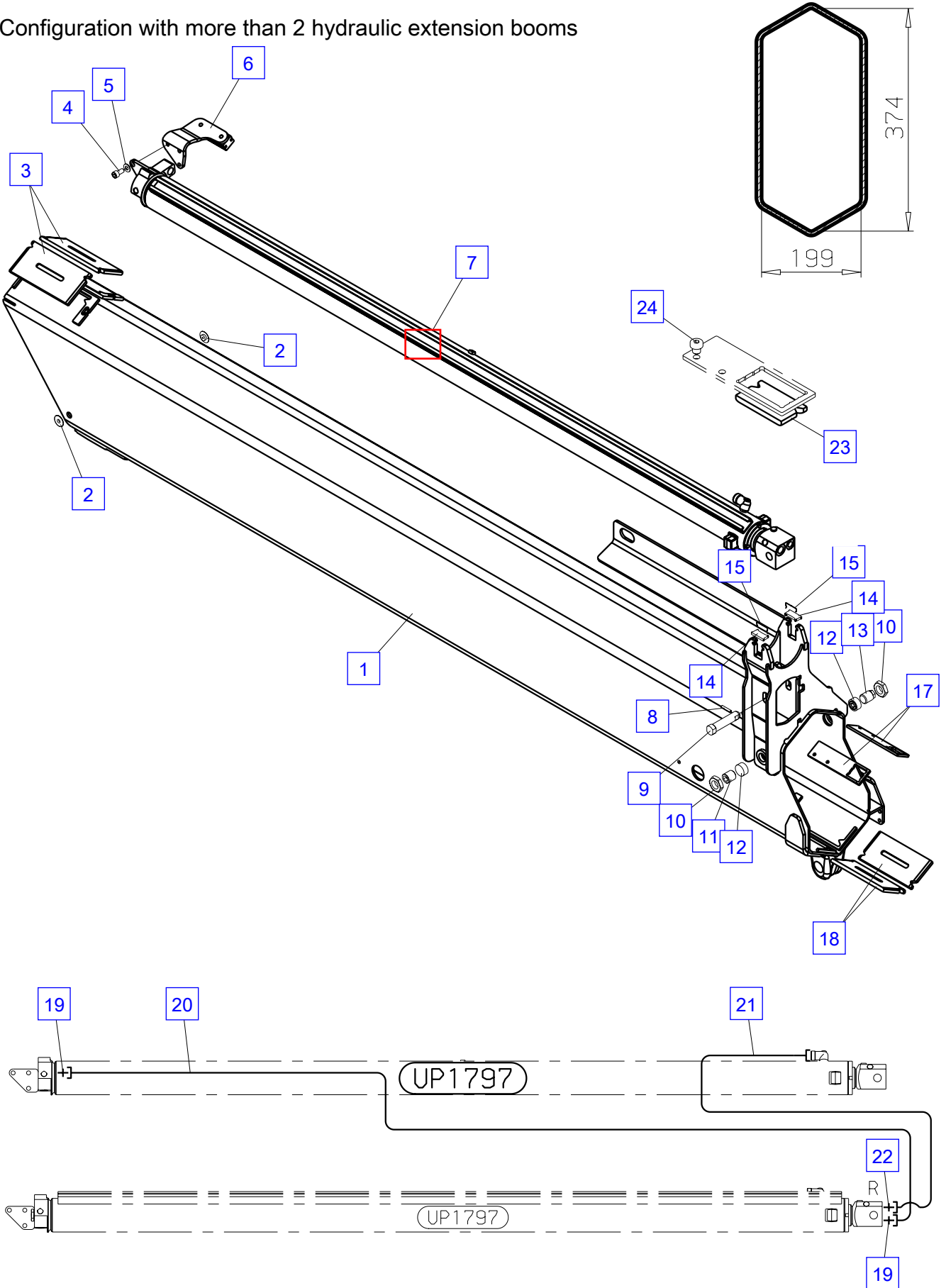
(100145919-->)



Extension boom 2 + piping

No.	Spare part	Qty.	Description	Dimension
1	S407T02-C	1	Boom extension-2	374x199 mm
2	HF 575A	1	Guide	2 mm
2	HF 576A	1	Guide	4 mm
2	HF 577A	1	Guide	5 mm
2	HF 578A	1	Guide	6 mm
2	HIA 130A	1	Guide	3 mm
2	HF 608A	1	Guide	1,5 mm
2	HF 727A	1	Guide	7 mm
3	HF1384A+00009	1	Guide block	9 mm
3	HF1384A+00010	1	Guide block	10 mm
3	HF1384A+00011	1	Guide block	11 mm
3	HF1384A+00012	1	Guide block	12 mm
3	HF1384A+00013	1	Guide block	13 mm
3	HF1384A+00014	1	Guide block	14 mm
3	HF1384+00015	1	Guide block	15 mm
3	HF1384+00016	1	Guide block	16 mm
4	ES 050	2	Screw	M 10x20 ISO4762-10.9
5	EK 007	2	Washer	D 10.5 ISO7089
6	HXE2364A	1	Cylinder guide	
	EM 006	2	Nut	DIN 934 M10 CL8 ZB
	EZ2402A	1	Guide block	
	HA7550A	1	Bearer	
	ES 828	2	Screw	M 10x40 ISO14581-8.8
7	UP1797C	1	Extension boom ram see page 0700.01001-A	
8	EQ 218	1	Winding pin	D 6x30 ISO8752
9	HI7197	1	Pin	D024.0xL0097.0
10	EM 192	2	Nut	M 24x1.5 DIN 936
11	HIG 958	1	Pin	D 24x25 mm
12	EZ2847	2	Guide block	D 30x14
13	HIG 957	1	Pin	D 24x33 mm
14	HT1040	2	Bearer	L=42 B=19 S=6
15	EF 144	2	Spring	
17	HT9379	2	Bearer	L0175xB0045xS005
18	HF1377A+00010	1	Guide block	10 mm
18	HF1377A+00011	1	Guide block	11 mm
18	HF1377A+00012	1	Guide block	12 mm
18	HF1377A+00013	1	Guide block	13 mm
18	HF1377A+00014	1	Guide block	14 mm
18	HF1377A+00015	1	Guide block	15 mm
18	HF1377+00016	1	Guide block	16 mm
18	HF1377+00017	1	Guide block	17 mm
18	HF1377A+00009	1	Guide block	9 mm
19	EA 074	2	Fitting	GE 16S R1/2"-ED
20	HLR10057	1	Pipe	D 16
21	HLR10056	1	Pipe	D 16
22	EA 769	1	Fitting	GE 16 SR 3/8"-ED
23	HF1403	1	Guide block	7 mm
23	HF 830	1	Guide block	9 mm
23	HF 831	1	Guide block	10 mm
23	HF 833	1	Guide block	12 mm
23	HF 832	1	Guide block	11 mm
23	HF1404	1	Guide block	6 mm
23	HF 829	1	Guide block	8 mm
24	ES1082	1	Screw	M 8x12 DIN 7984 8.8
24	ES1089	1	Screw	M 8x10 DIN 7984 8.8
24	ES1514	1	Screw	M 8x14 DIN 7984 8.8

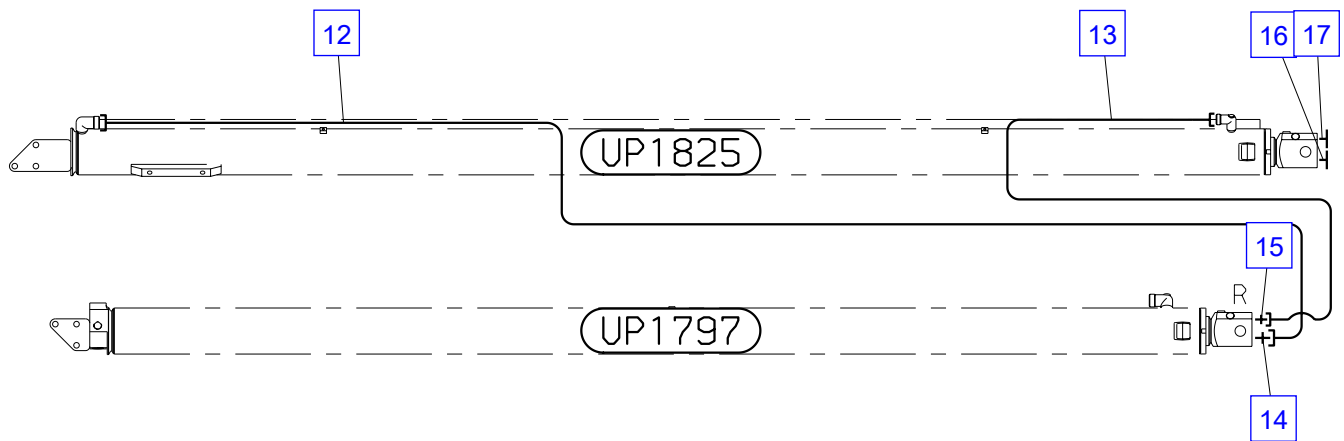
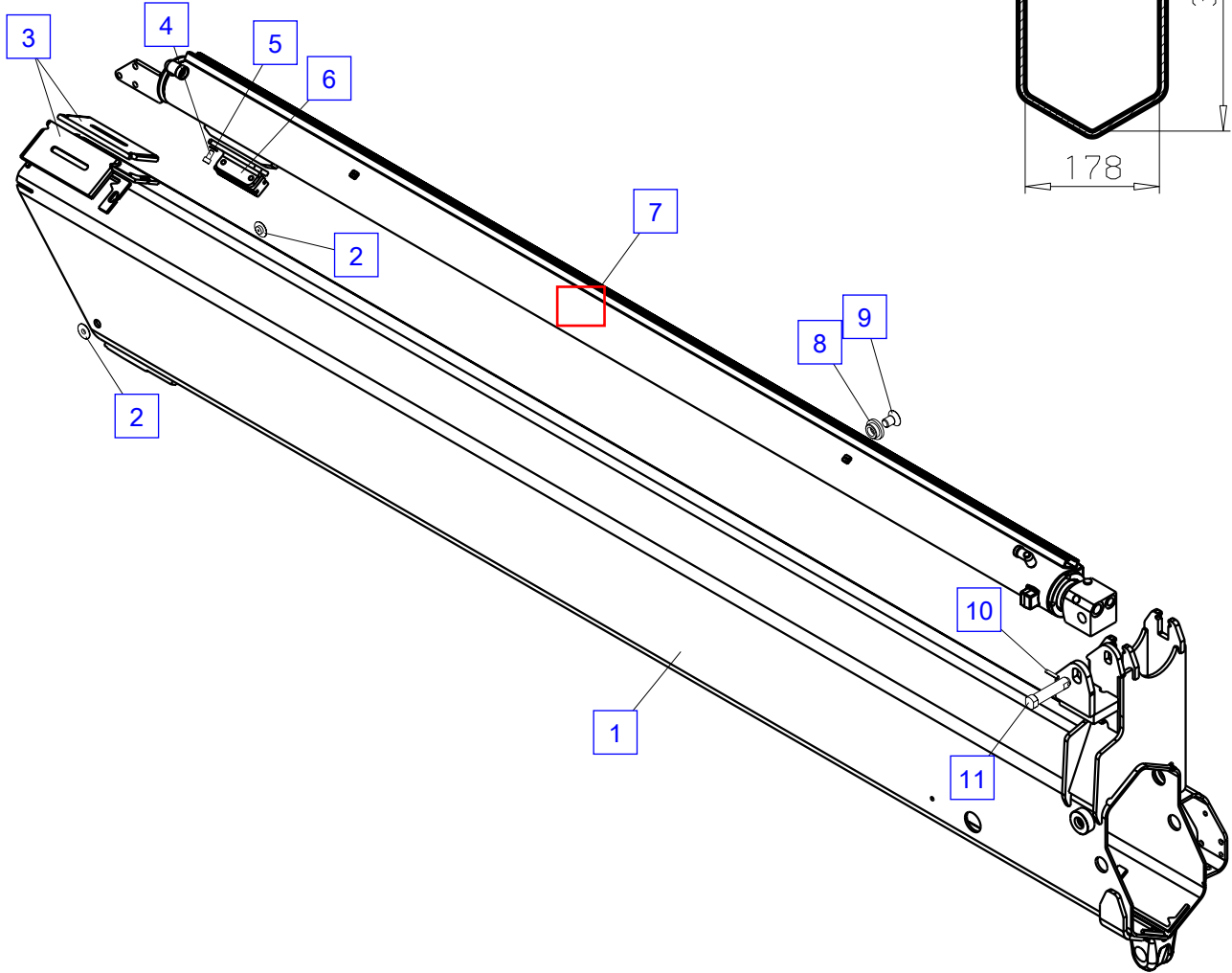
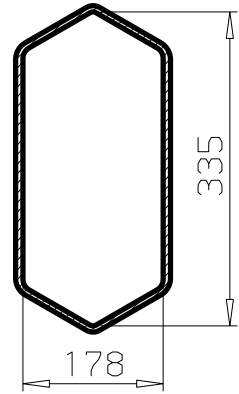
Configuration with more than 2 hydraulic extension booms



Extension boom 3 + piping

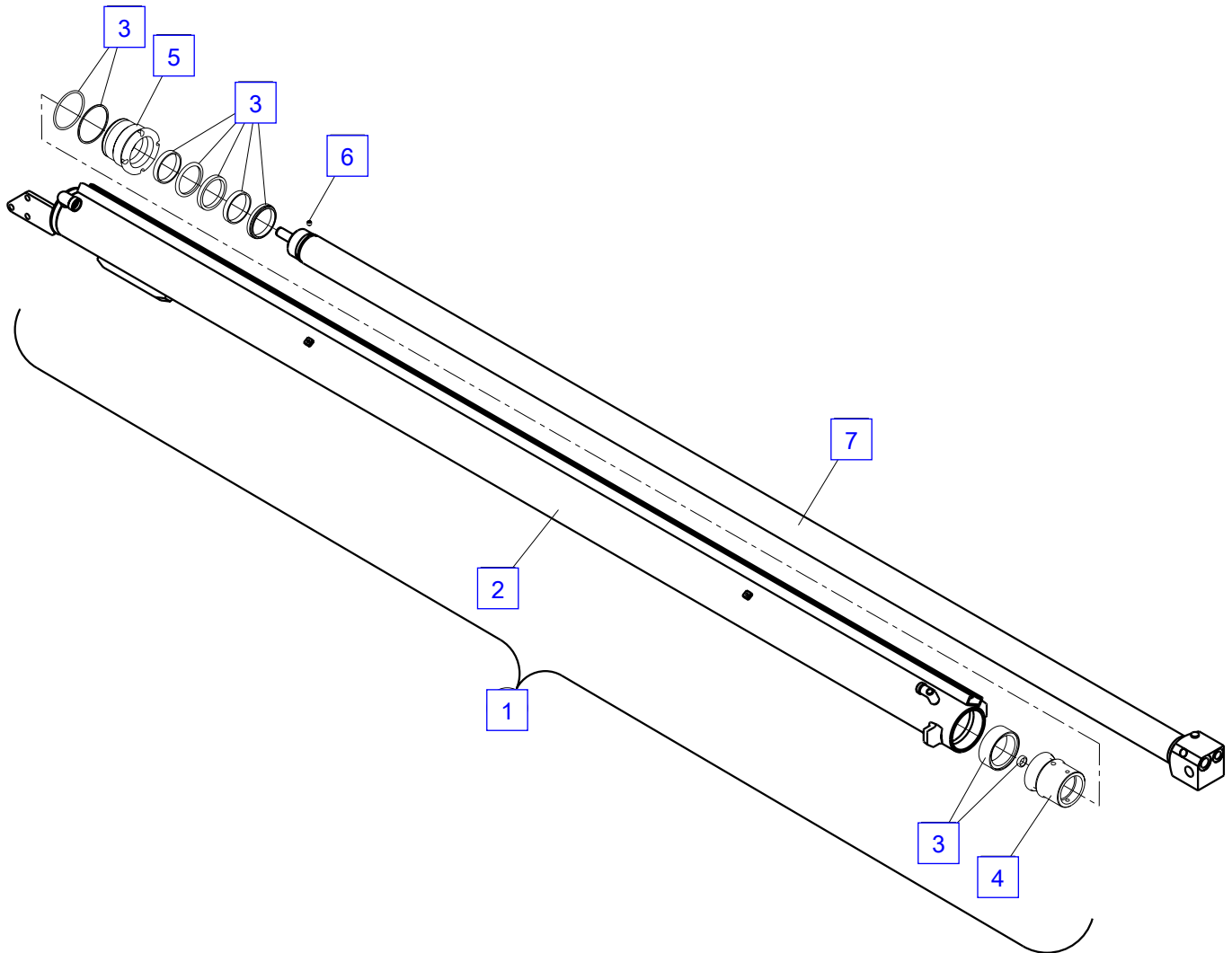
No.	Spare part	Qty.	Description	Dimension
1	S407T03-C	1	Boom extension-3	335x178 mm
2	HF 575A	1	Guide	2 mm
2	HF 576A	1	Guide	4 mm
2	HF 577A	1	Guide	5 mm
2	HF 578A	1	Guide	6 mm
2	HIA 130A	1	Guide	3 mm
2	HF 608A	1	Guide	1,5 mm
2	HF 727A	1	Guide	7 mm
3	HF1377A+00010	1	Guide block	10 mm
3	HF1377A+00011	1	Guide block	11 mm
3	HF1377A+00012	1	Guide block	12 mm
3	HF1377A+00013	1	Guide block	13 mm
3	HF1377A+00014	1	Guide block	14 mm
3	HF1377A+00015	1	Guide block	15 mm
3	HF1377+00016	1	Guide block	16 mm
3	HF1377+00017	1	Guide block	17 mm
3	HF1377A+00009	1	Guide block	9 mm
4	ES 264	2	Screw	M8x16 ISO4762- 8.8
5	EK 003	2	Washer	D 8.4 ISO7089
6	HXE2365A	1	Cylinder guide	
	EM 006	2	Nut	DIN 934 M10 CL8 ZB
	EZ2402A	1	Guide block	
	ES 828	2	Screw	M 10x40 ISO14581-8.8
7	UP1825B	1	Extension boom ram see page 0700.03001-A	Cr
8	HBS2946	1	Spacer	D038.0xd017.5xL015.0
9	ES1480	1	Screw	M 16x25 ISO14581-10.9
10	EQ 218	1	Winding pin	D 6x30 ISO8752
11	HI7197	1	Pin	D024.0xL0097.0
12	HLR13901	1	Pipe	D 16
13	HLR13899	1	Pipe	D 12
14	EA 074	1	Fitting	GE 16S R1/2"-ED
15	EA 039	1	Fitting	GE 12S R3/8"-ED
16	EA 261	1	Locking screw	VSTI R1/2"
17	EA 442	1	Locking screw	VSTI R3/8"

Crane with 3 hydraulic extension booms



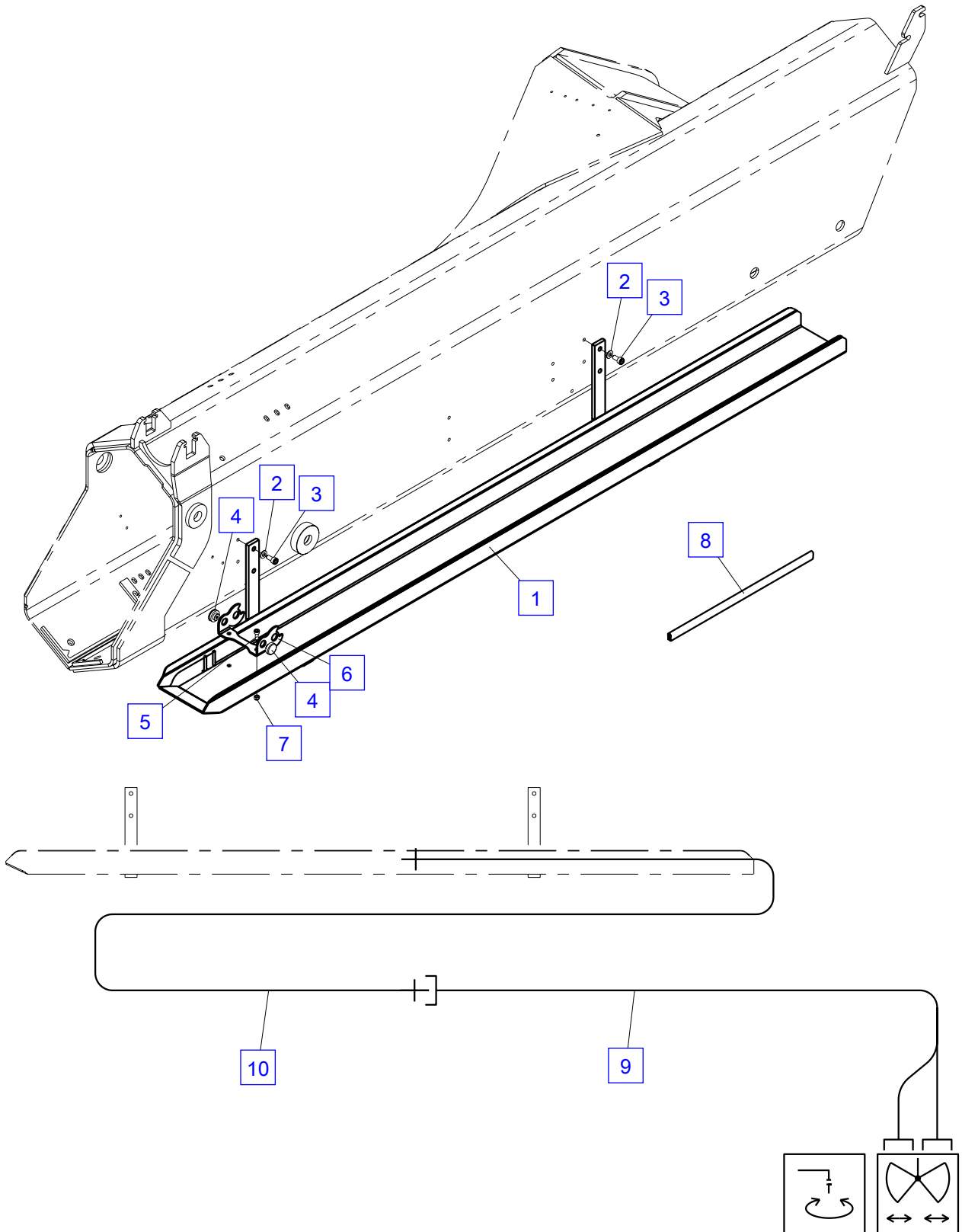
Boom extensions ram 3,4,5 details

No.	Spare part	Qty.	Description	Dimension
1	UP1825B	1	Extension boom ram	Cr
2	HY1589	1	Cylinder tube	d075
3	TD 531A	1	Seal kit	
4	HK 735A	1	Piston	
5	HV 373A	1	Cylinder nut	M080x2.0 d055xL065
6	ES1645	1	Set screw	M 8x8 ISO4027- 45H
7	HSK1430B	1	Piston rod	



Outer boom

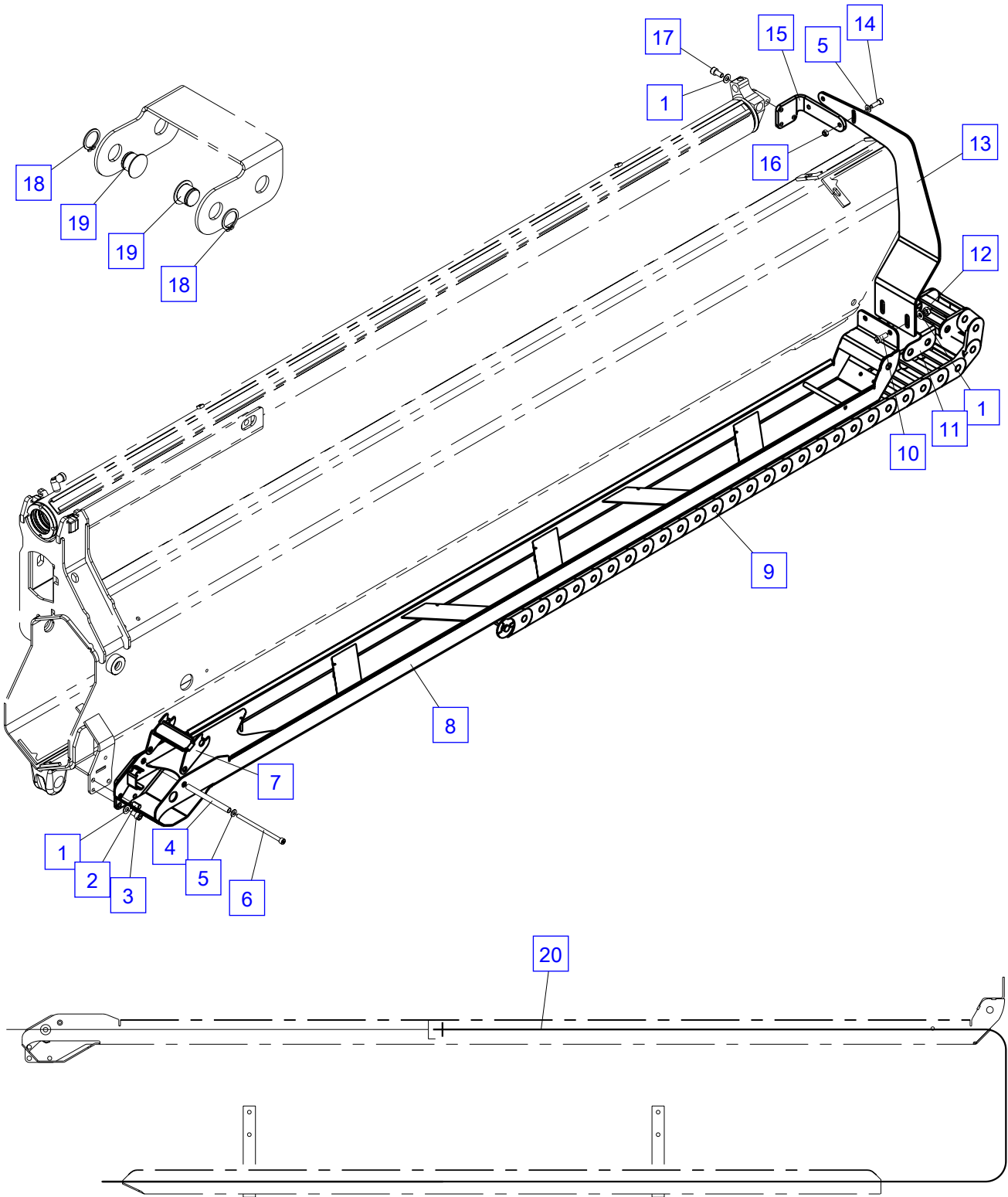
No.	Spare part	Qty.	Description	Dimension
1	HXE2015	1	Hose tray	b= 100mm
2	EK 003	4	Washer	D 8.4 ISO7089
3	ES 264	4	Screw	M8x16 ISO4762- 8.8
4	HF 345	2	Guide	7 mm
5	ES 175	2	Screw	M 6x16 ISO4762- 8.8
6	HA6689	1	Bracket	b= 100mm
7	EM 014	2	Nut	DIN 985-8 M 6
8	EZ 578	0	Edge protection (metro goods)	4-6 mm
9	HLR....	4	Pipe see page 0400.08...	
10	EH6559	4	Hose	NW 10x5150



Hose tray 2

No.	Spare part	Qty.	Description	Dimension
1	EK 007	7	Washer	D 10.5 ISO7089
2	EQ 044	2	Winding pin	D 10x20 DIN1481
3	ES 024	2	Screw	M 10x16 ISO4762-10.9
4	HBS3341	1	Spacer	D=12x9 L=134
5	EK 003	3	Washer	D 8.4 ISO7089
6	ES1168	1	Screw	M 8x140 ISO4762- 8.8
7	HA9942	1	Bearer	
8	HXE2016A	1	Hose tray	
9	EZ3096+00005	1	Link chain (38-sections)	
	EZ1755	1	Chain link	b=100mm
	EZ1756	1	Chain link - folding	b=100 mm
	EZ1775	1	Sheeting	
10	ES 015	2	Screw	M 10x25 ISO4762-10.9
11	HA6679	1	Bracket	b= 100mm
12	EM 021	2	Nut	DIN 985 M10 CL8 ZB
13	HA7558	1	Bearer	
14	ES 006	2	Screw	M 8x25 ISO4762-10.9
15	HA7551A	1	Bearer	L0210.0xB0060xS008
16	EM 026	2	Nut	M 8 DIN 985
17	ES 050	3	Screw	M 10x20 ISO4762-10.9
18	EQ 011	4	Circlip	D 16 DIN 471
19	HI2993	4	Pin	D=22 L=15
20	EH7453A	0	Hose	NW 10x4850

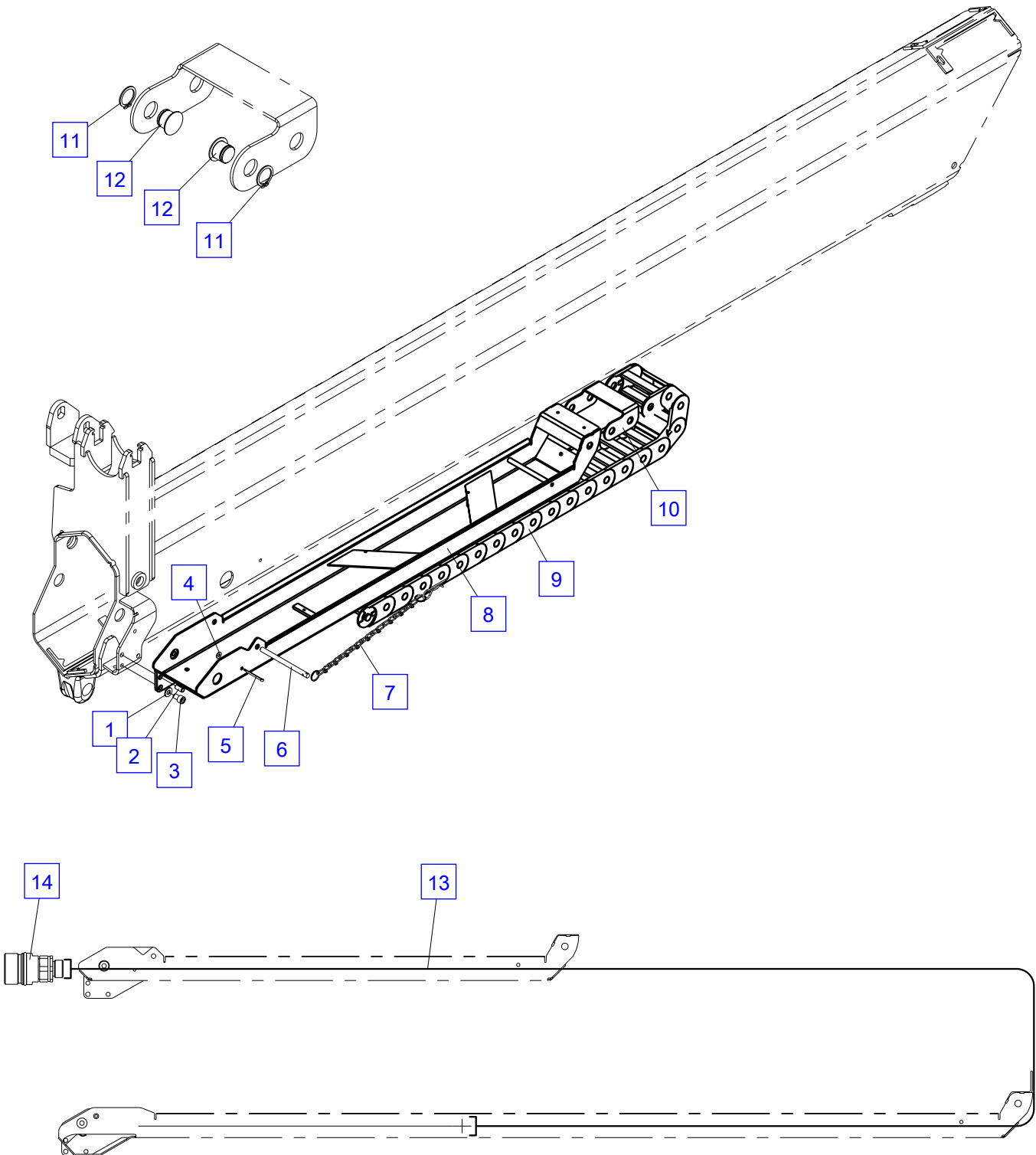
Configuration with more than 2 hydraulic extension booms



Hose tray 3

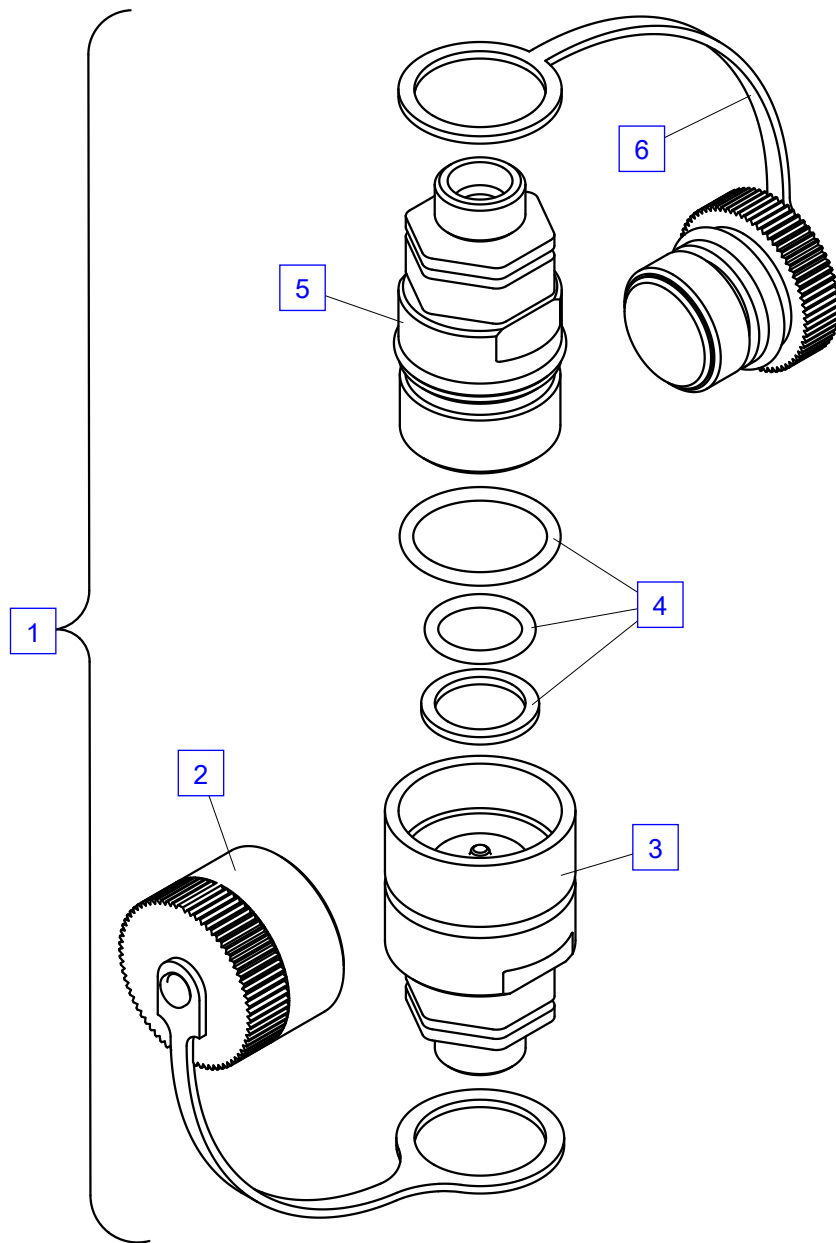
No.	Spare part	Qty.	Description	Dimension
1	EK 007	2	Washer	D 10.5 ISO7089
2	EQ 044	2	Winding pin	D 10x20 DIN1481
3	ES 024	2	Screw	M 10x16 ISO4762-10.9
4	EK 043	1	Washer	D 6.4 DIN 134
5	EQ1313	1	Split pin	D 5x30 ISO 1234 A2
6	HI2908	1	Pin	b= 100mm
7	HXS 032	1	Safety chain	
8	HXE2018A	1	Hose tray	
9	EZ3096+00007	1	Link chain (21-sections)	
	EZ1755	1	Chain link	b=100mm
	EZ1756	1	Chain link - folding	b=100 mm
	EZ1775	1	Sheeting	
10	HA6679	1	Bracket	b= 100mm
11	EQ 011	4	Circlip	D 16 DIN 471
12	HI2993	4	Pin	D=22 L=15
13	EH5267A	0	Hose	NW 10x3150
14	EA1113S	0	Quick coupling, cpl. see page 0710.06001-A	12-S DIN 2353

Crane with 3 hydraulic extension booms



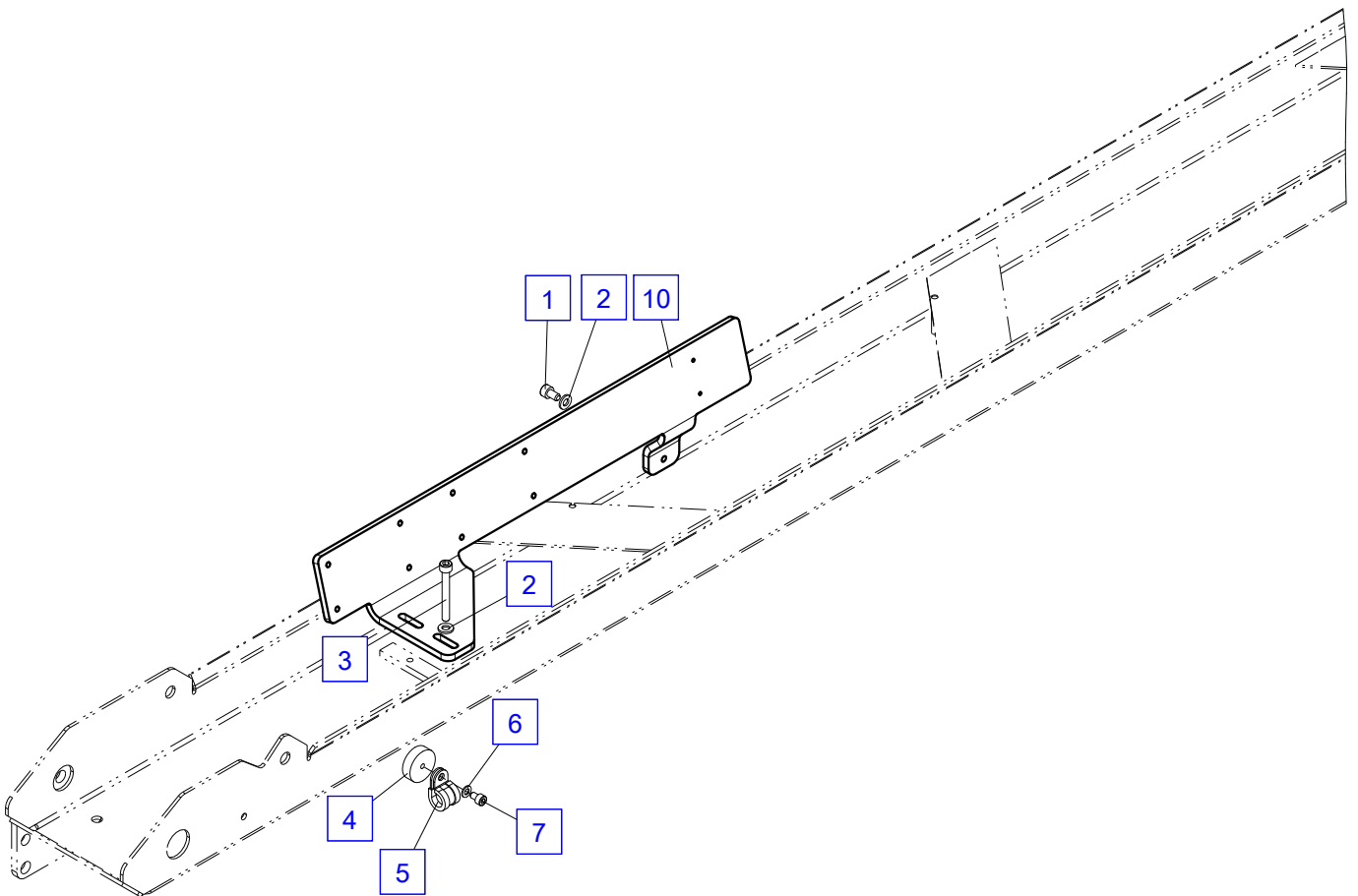
Quick-coupling

No.	Spare part	Qty.	Description	Dimension
1	EA1113S	1	Quick coupling, cpl.	12-S DIN 2353
2	EK 112	1	Dust cover (red)	Rot
2	EK 143	1	Dust cover (black)	Schwarz
3	EA1267	1	Quick-coupling	12 S
4	TD 045	1	Seal kit, cpl.	
5	EA1266	1	Quick-coupling	12 S
6	EK 113	1	Dust cover (red)	Rot
6	EK 144	1	Dust cover (black)	Schwarz



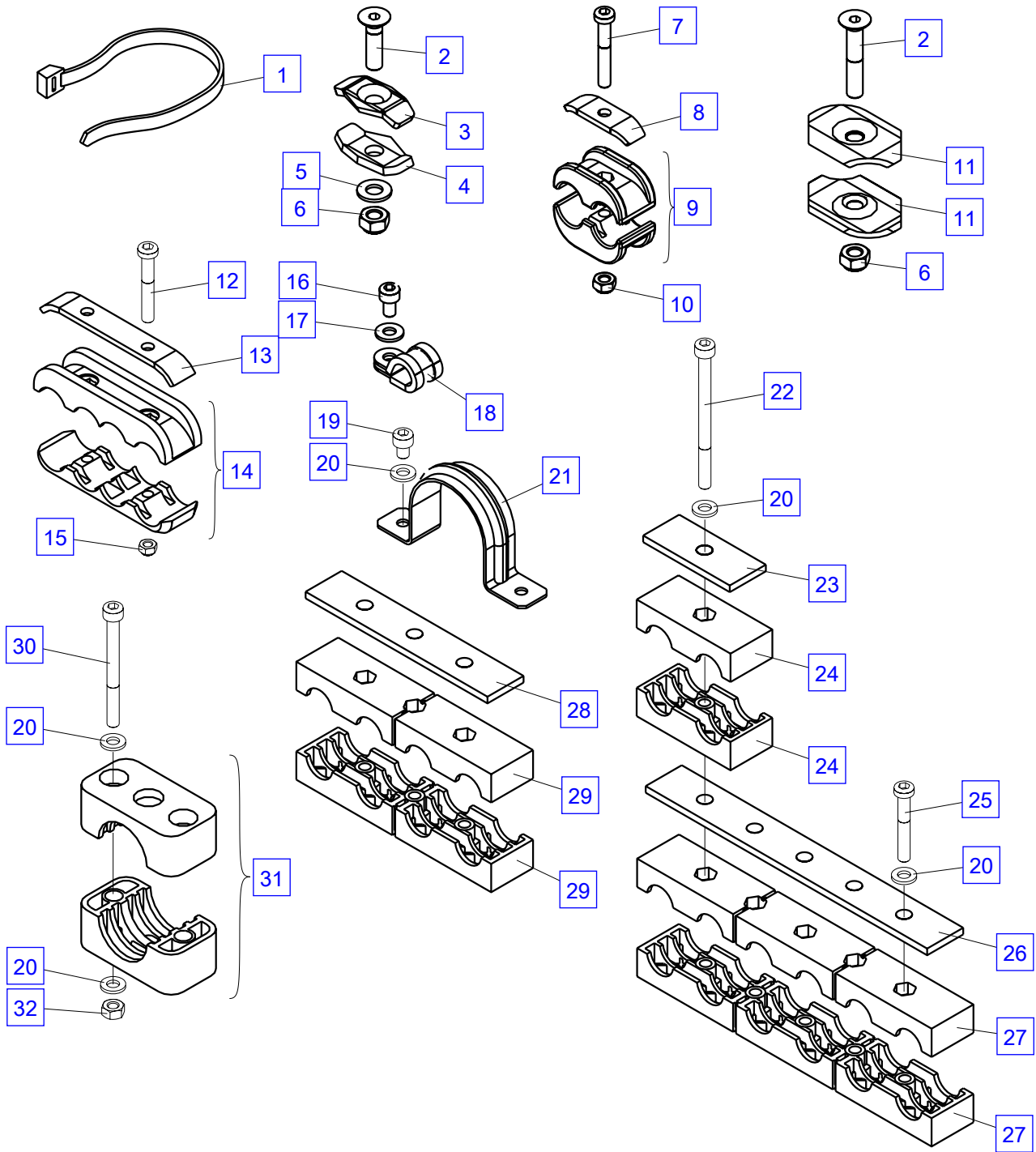
Workman basket / SRC

No.	Spare part	Qty.	Description	Dimension
1	ES 414	1	Screw	M6x10 ISO4762 - 8.8
2	EK 190	3	Washer	DIN134-06-ST
3	ES 104	2	Screw	M 6x50 ISO4762-10.9
4	EK3635	2	Solenoid	
5	EK 221	2	Pipe clip	D 12
6	EK 153	2	Washer	DIN134-05-ST
7	ES 107	2	Screw	M 5x8 ISO4762- 8.8
10	HA13190	1	Bearer	AK



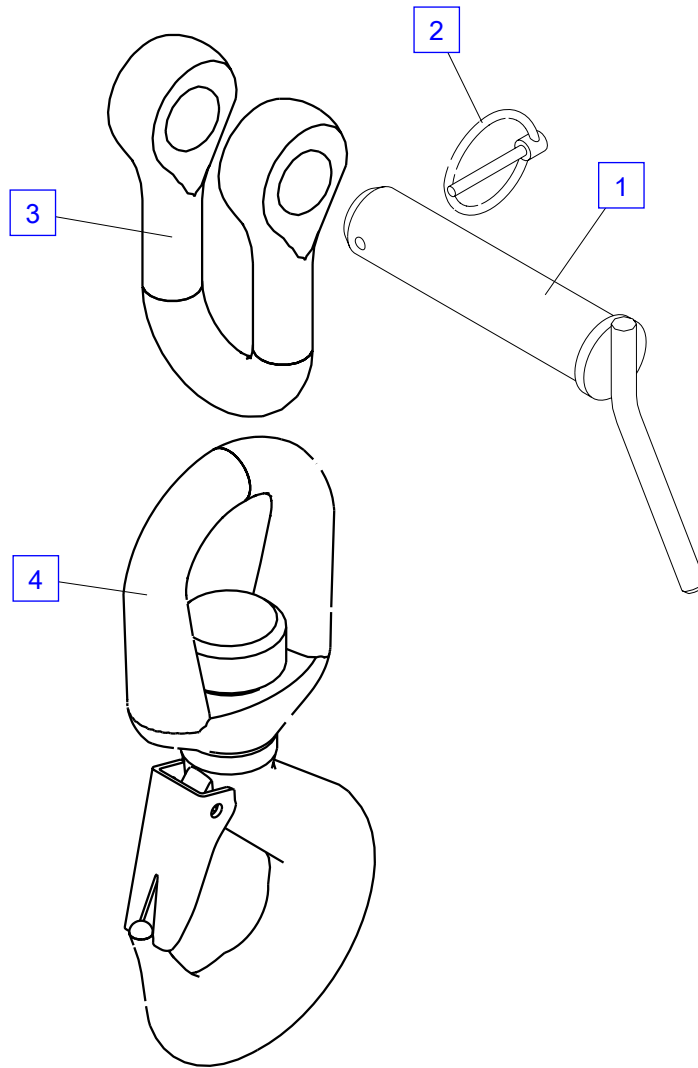
Miscellaneous

No.	Spare part	Qty.	Description	Dimension
1	EK 085	0	Cable tie	l=370x7,6
1	EK 165	0	Cable tie	l=215x4.8
2	ES 216	0	Screw	M 8x30 - 8.8 - ISO14581
2	ES 216	0	Screw	M 8x30 - 8.8 - ISO14581
2	ES 408	0	Screw	M8x35 - 8.8 ISO14581
2	ES 470	0	Screw	M 8x45 ISO14581- 8.8
3	HX 416	0	Pipe clip	
4	HX 007	0	Pipe clip	
5	EK 003	0	Washer	D 8.4 ISO7089
6	EM 026	0	Nut	M 8 DIN 985
7	ES 856	0	Screw	M 6x35 ISO4762- 8.8
7	ES 574	0	Screw	M 6x40 ISO4762-A2-70
8	HA4819	0	Plate	L0046.2xB0015xS003
9	EZ2643	0	Hose clip	D017.0
10	EM 014	0	Nut	DIN 985-8 M 6
11	HX 611	0	Clip	L0058.2xB0039.1 xS003.0
12	ES 105	0	Screw	M 6x40 ISO4762 10.9
12	ES 083	0	Screw	M 5x40 DIN 84
12	ES 263	0	Screw	M 5x45 ISO4762- 8.8
13	HTR 810B	0	Plate	L0090.0xB0015.0xS006.0
14	EZ 124	0	Hose clip	D 17x4
14	EZ2836	0	Hose clip	D 17x2 20x2
15	EM 040	0	Nut	DIN985-8 M5
16	ES 414	0	Screw	M6x10 ISO4762 - 8.8
17	EK 043	0	Washer	D 6.4 DIN 134
18	EK 256	0	Pipe clip	D 16
19	ES 879M	0	Screw	M 6x10 DIN 7984-A2-80
20	EK 190	0	Washer	DIN134-06-ST
21	EZ3108	1	Pipe clip	
22	ES 171	0	Screw	M 6x80 ISO4762- 8.8
23	HX 335	0	Stiffening plate	
24	EZ 259	1	Hose clip	D 15-18
24	EZ 257	1	Hose clip	D 19-22
24	EZ 487	1	Hose clip	D 17
25	ES1568	0	Screw	M 6x45 ISO4762- 8.8
26	HX6626	0	Stiffening plate	L195.0xB25.0xS4.0
27	EZ 186	0	Hose clip	D 19-21
28	HX 337	0	Stiffening plate	L0126xB0025xS004
29	EZ 256	0	Hose clip	D 19-21
29	EZ 258	0	Hose clip	D 15-18
30	ES1387	2	Screw	M 6x65 ISO4762- 8.8
31	EZ 751	1	Hose clip	D 38
32	EM 004	2	Nut	DIN 934 M6 CL8 ZB



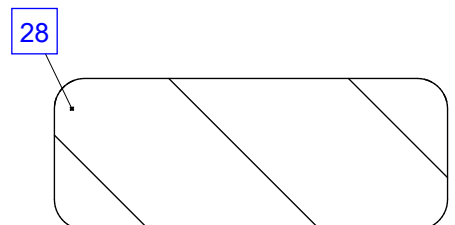
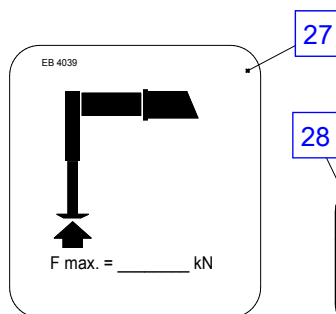
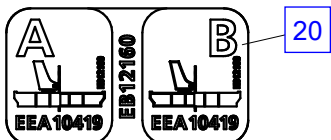
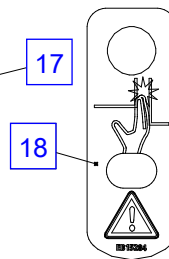
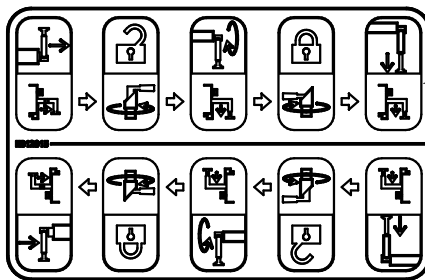
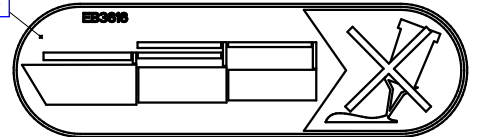
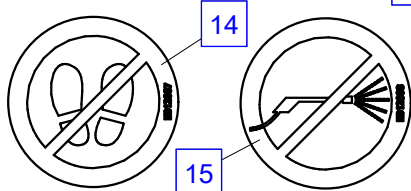
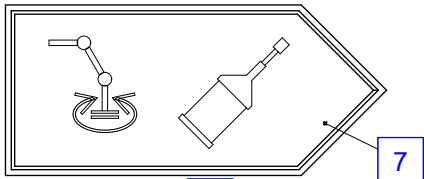
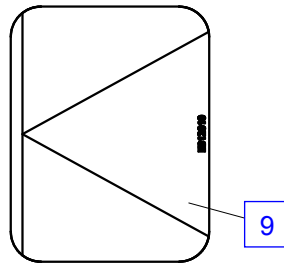
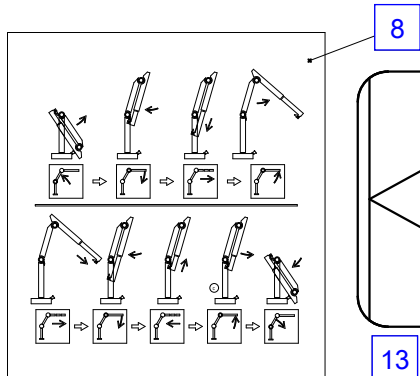
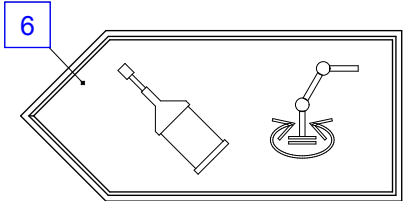
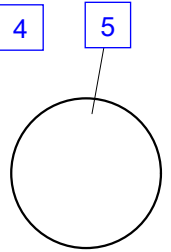
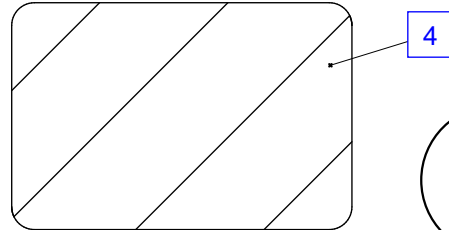
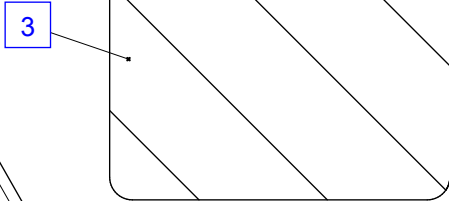
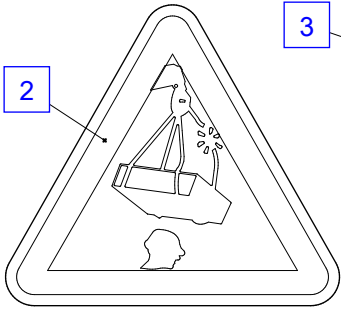
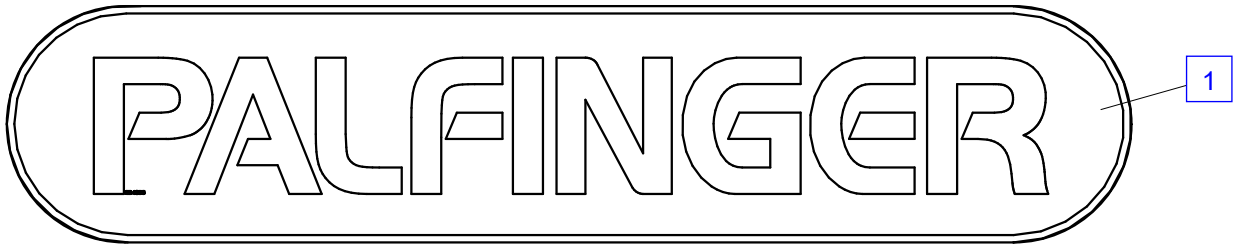
Crane hook

No.	Spare part	Qty.	Description	Dimension
1	HIS 008	1	Pin	l=135 mm
2	EQ 042	1	Bolt retainer	D 5,0 DIN 11023 - 05x042 - ST
3	HXL 010	1	Suspension eye	11t
4	EZ1598	1	Crane hook	8 t
	EZ1599	1	Safety latch	
	ELW 262	1	Ball bearing	
	EZ1598-01	1	Nut	M 30x3.5 UNI 5593
	EQ1875	1	Split pin	D 6x40 mm



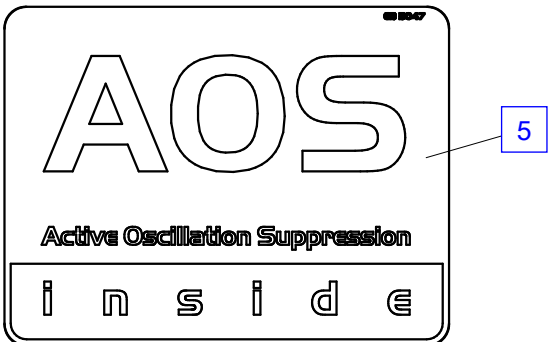
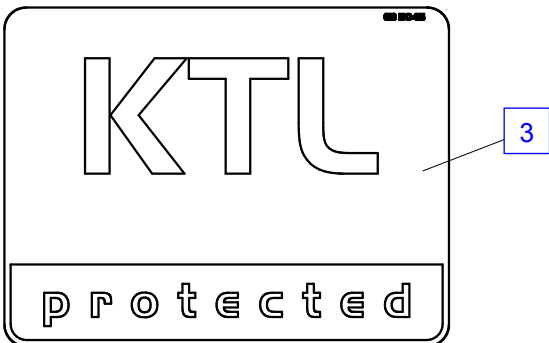
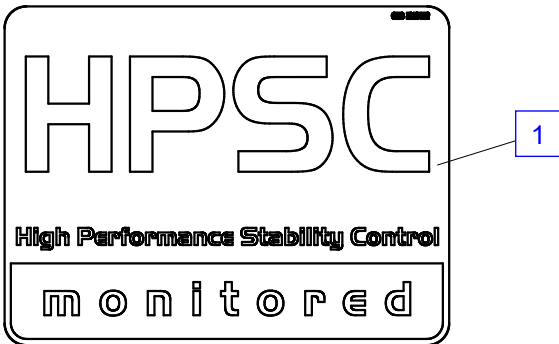
Decals (1)

No.	Spare part	Qty.	Description	Dimension
1	EB4857	2	Company decal Palfinger	660x140 mm
1	EB5051	2	Company decal	370x83 mm
2	EB1401	2	Danger sign	h=153 mm
3	EB2806	2	Warning sign	150x100 mm
4	EB5190	2	Warning sign	150x100 mm
5	EB3269	1	Decal	D 60 mm
6	EB2943	2	Symbol sign	
7	EB3247	2	Symbol sign	
8	EB 754	1	Decal	
9	EB12010	1	Decal	67,5x52,5 mm
12	EB3616	2	Symbol sign	
13	EB14559	1	Symbol sign	
14	EB12007	3	Symbol sign	
15	EB12008	2	Sign	45x45 mm
17	EB12015	1	Symbol sign	
18	EB15284	1	Symbol sign	
20	EB12160	1	Symbol sign	
27	EB4039	2	Symbol sign	
28	EB9939	1	Warning sign	130x50 mm



Decals (2)

No.	Spare part	Qty.	Description	Dimension
1	EB2312	1	Symbol sign	
3	EB5045	1	Symbol sign	
5	EB5047	1	Symbol sign	
8	EB5050	1	Symbol sign	
10	EB15520	1	Symbol sign	



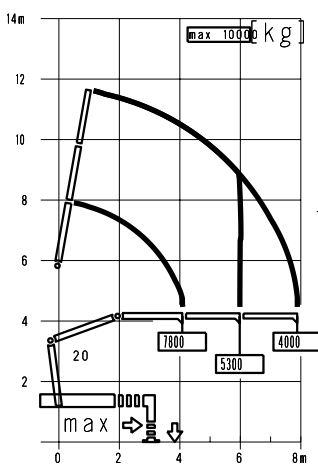
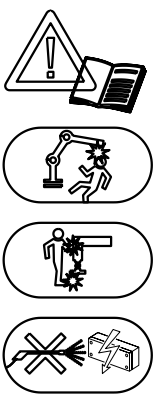
Decals (PK34002-SH)

No.	Spare part	Qty.	Description	Dimension
1	EB5820	2	Company decal	PK 34002-SH
2	EB5822	2	Capacity diagram	PK 34002-SH B
3	EB5841	1	Capacity diagram	PK 34002-SH B

PK 34002-SH

1


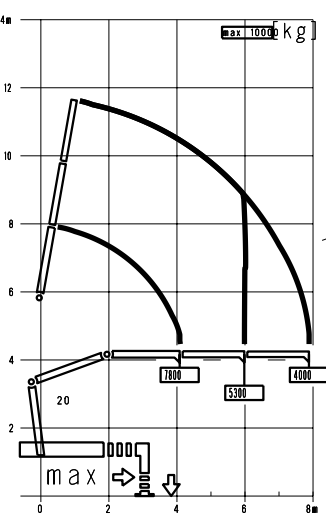
PALFINGER CRANE
PK 34002-SH A
Power Link Plus



EB5821

2

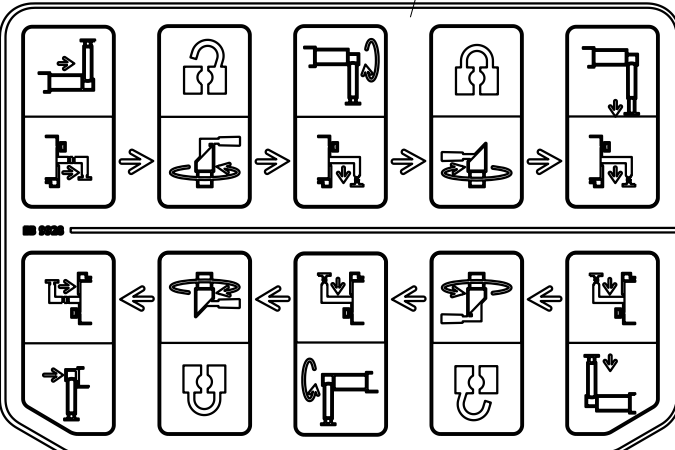
PALFINGER CRANE
PK 34002-SH A
Power Link Plus



EB5840

3

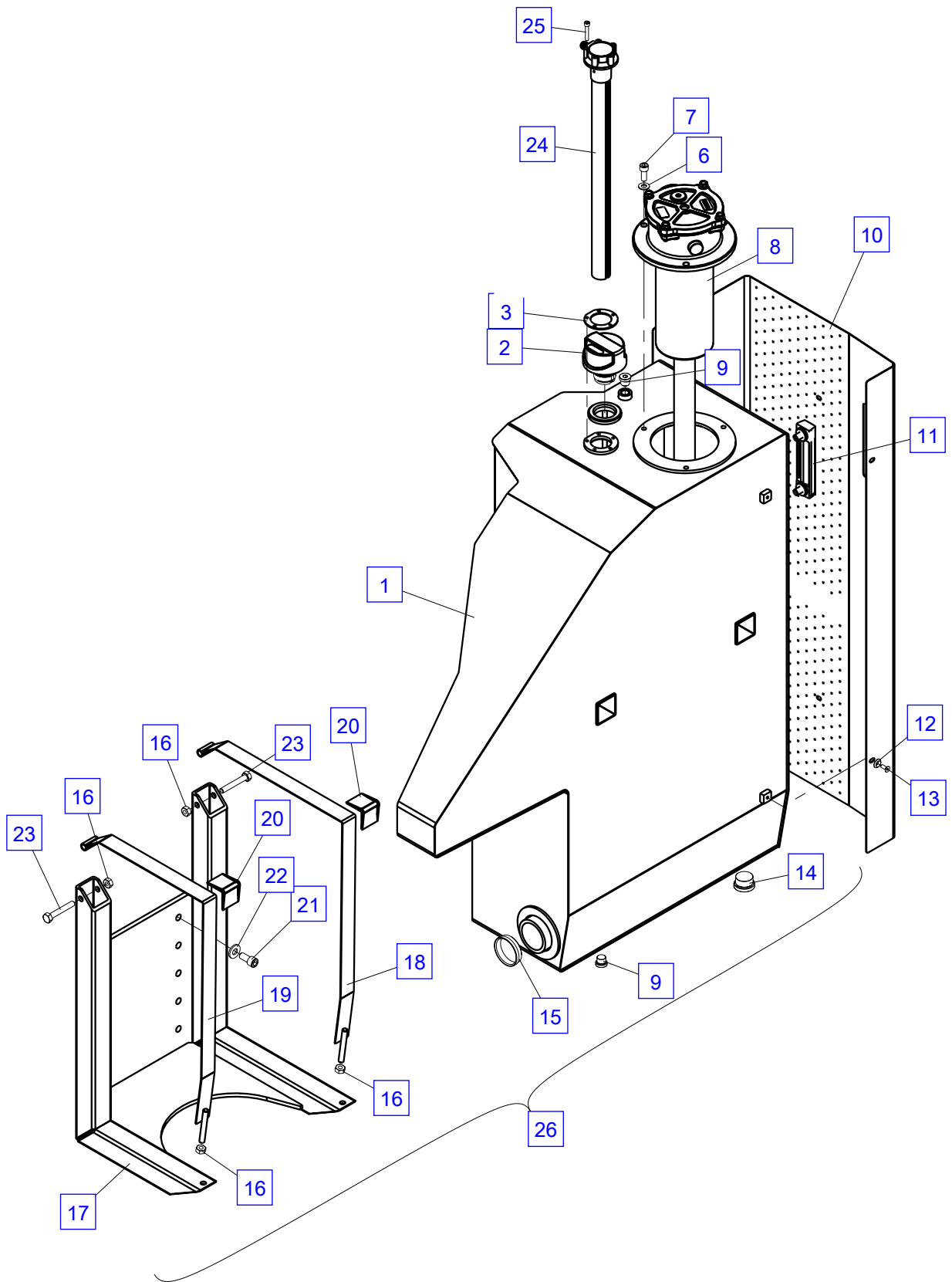
4



Oil tank KTK031-BA

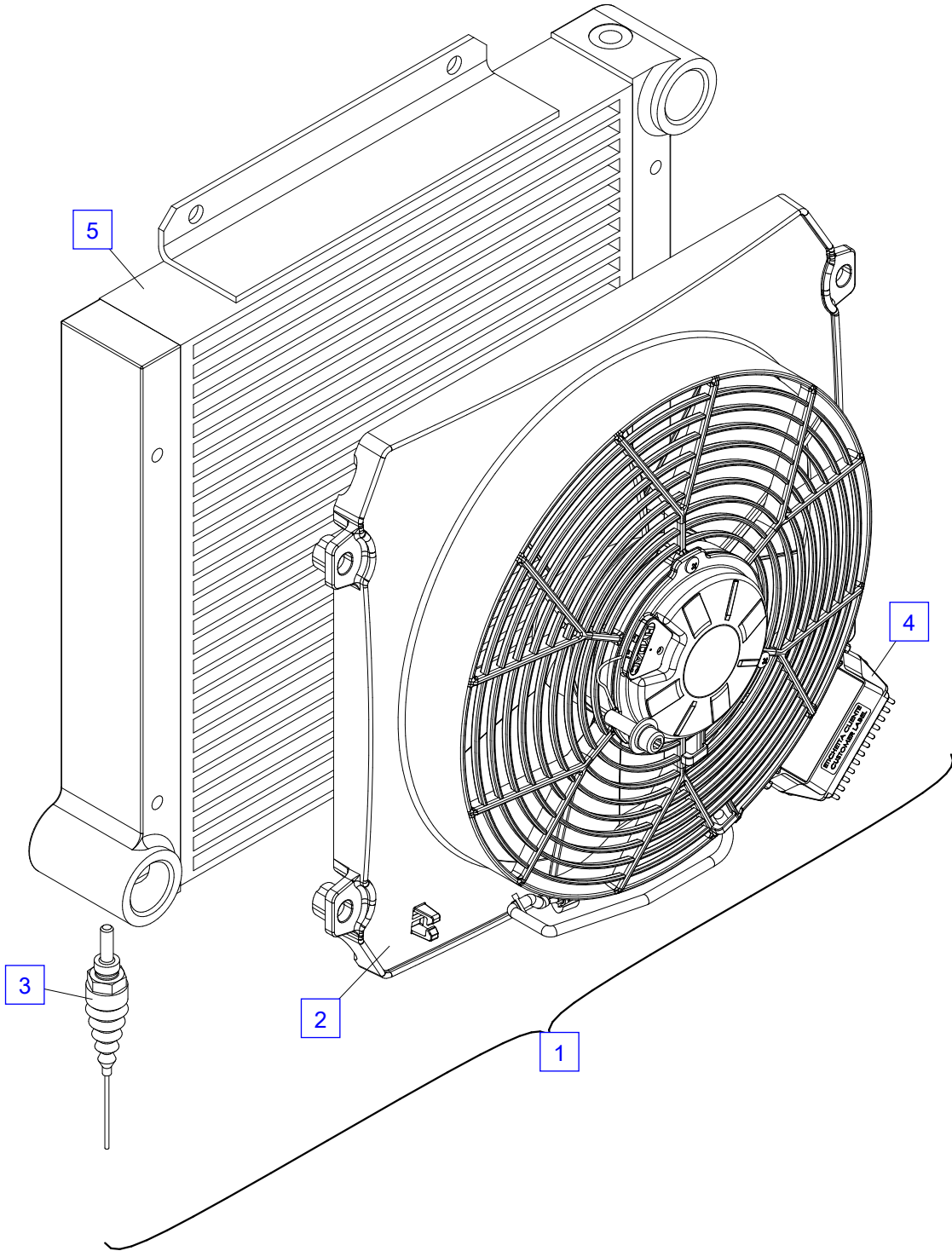
No.	Spare part	Qty.	Description	Dimension
1	KTK031A-A	1	Oil tank	180l
2	EA2244	1	Tank cap incl. Ventilation filter	M42x2 - 800l/min
3	ED1253	1	Seal	
6	EK 007	3	Washer	D 10.5 ISO7089
7	ES 015	3	Screw	M 10x25 ISO4762-10.9
8	EA2726	1	Return oil filter	
	EA1761	1	Filter element	180 l/min
	TD 308	1	Seal kit	
	EA1899	1	Filter cover	
9	EA 442	2	Locking screw	VSTI R3/8"
10	KTK031A20	1	Cover	
11	EA 027A	1	Oil gauge	
12	EK 567	6	Washer	D 6
13	ES 418	6	Screw	M6x16 ISO14581- 8.8
14	EA 369	1	Locking screw	VSTI R 1/1"
15	EA1816	1	Locking screw	R 2"
16	EM 006	4	Nut	DIN 934 M10 CL8 ZB
17	KTK031B-A	1	Bearer	
18	KTK031C-A	1	Tightening band	
19	KTK031D-A	1	Tightening band	
20	EK1278	2	Protection ledge	
21	ES 041	10	Screw	M 12x25 ISO4762-10.9
22	EK 018	10	Washer	D 13 DIN 134
23	ES1093	2	Screw	M 10x65 DIN 931
24	EEA6330A	1	Filling level sensor 4-20 mA	Measuring range 960 mm Cable M 12
25	ES 291	5	Screw	M 5x35 ISO4762- 8.8
26	KTK031-BA	1	Oil tank, cpl. Position 10,12,13 are not included in the delivery.	180l

Position 10,12,13,24,25 are not included in the delivery.



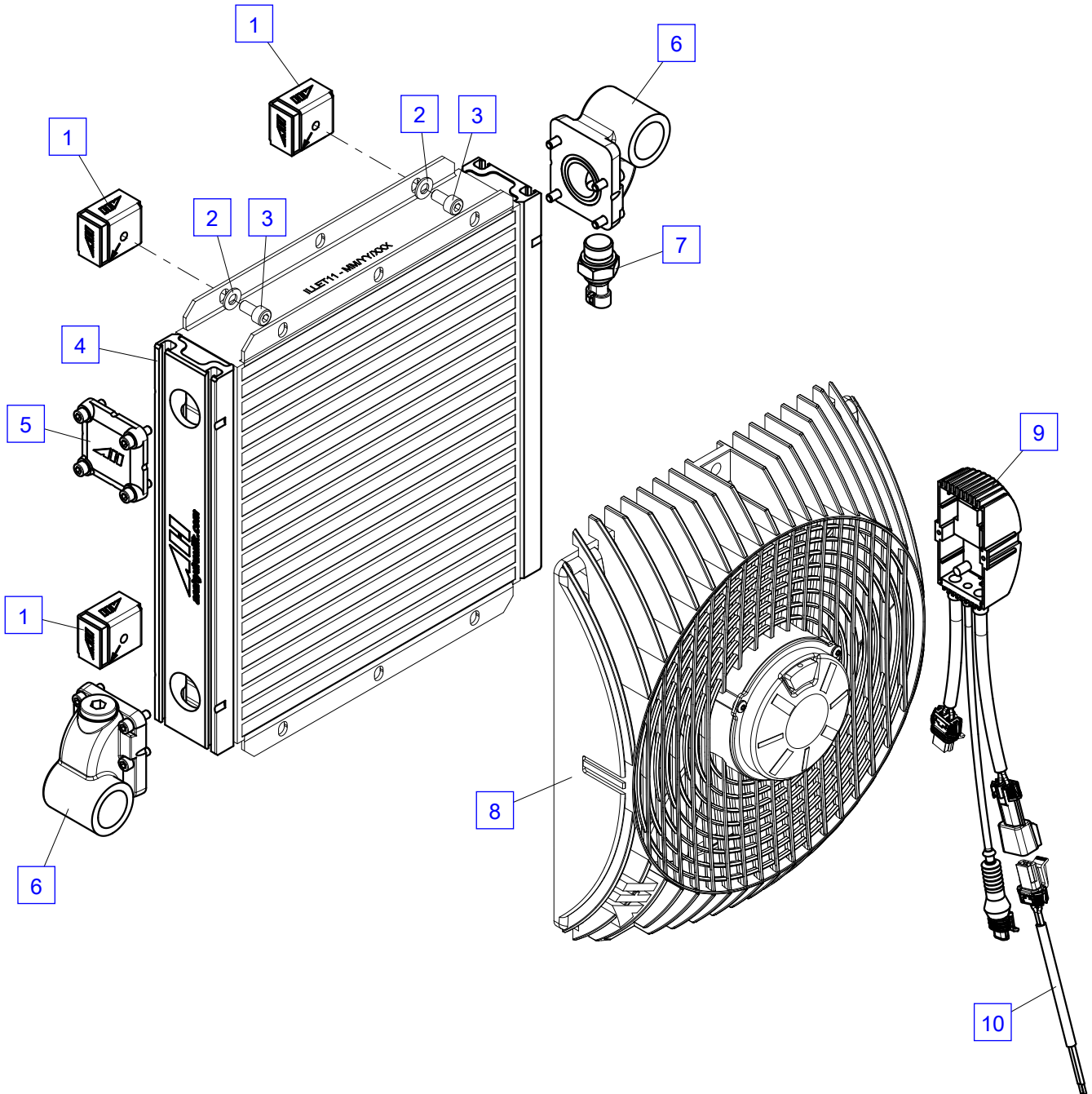
Oil cooler BKA56,BKA57

No.	Spare part	Qty.	Description	Dimension
1	BKA56	1	Oil cooler	10kW - 24V
2	EZ2791	1	Ventilator with motor	24V
3	EZ2792	1	Temperature sensor	
4	EZ2793	1	Control for ventilator	24V
5	EZ4544	1	Oil cooler	



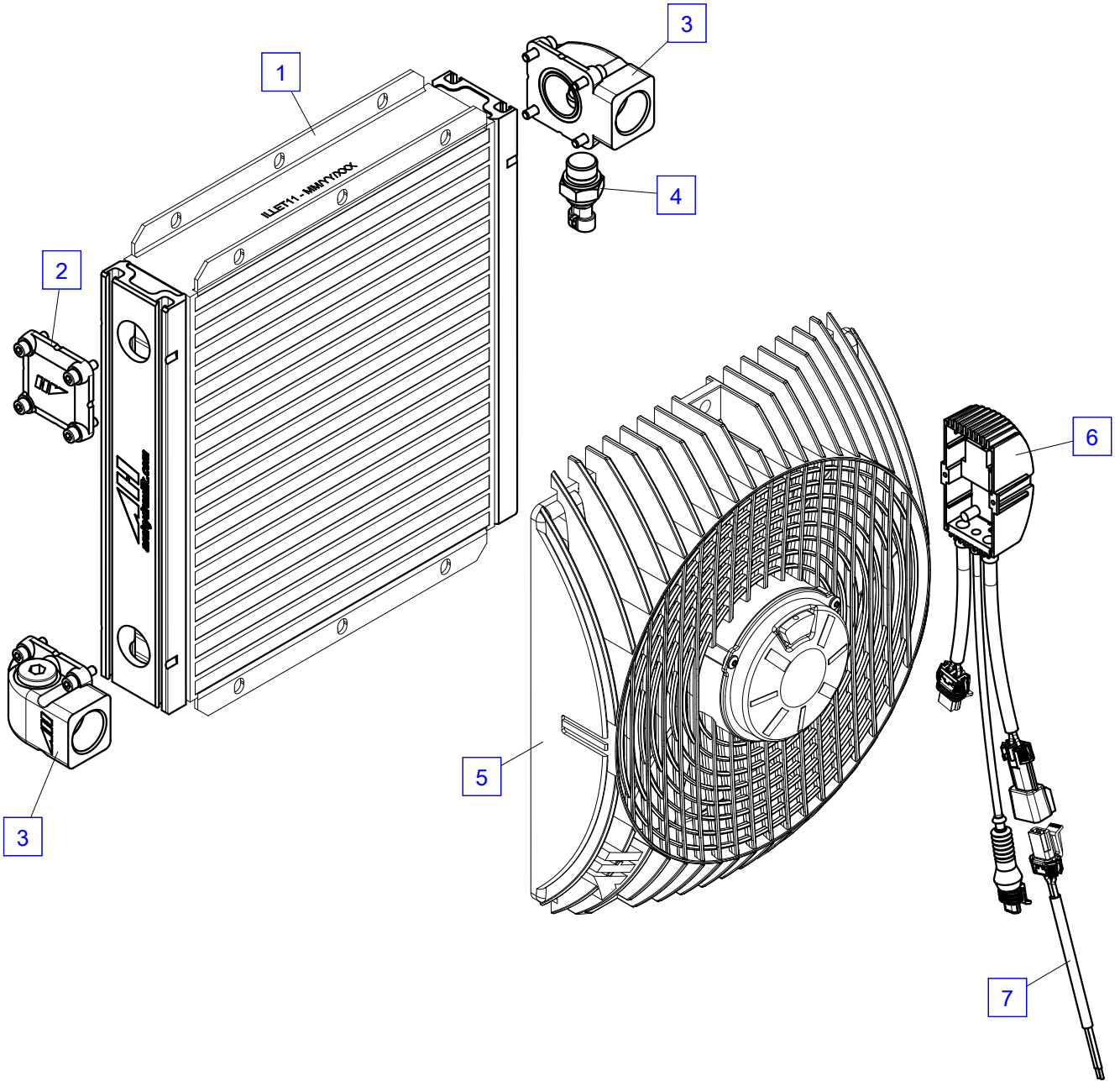
Oil cooler BKA63-12(24)V

No.	Spare part	Qty.	Description	Dimension
	BKA63-24V	1	Oil cooler	10,5 kW
1	EZ1575	4	Spacing piece	
2	EK 003	4	Washer	D 8.4 ISO7089
3	ES 264	4	Screw	M8x16 ISO4762- 8.8
4	EZ6492	1	Oil cooler	
5	EZ6541	1	Cap	
6	EZ6539	2	Connecting flange	
7	EZ6490	1	Temperature sensor	
8	EZ1569	1	Ventilator with motor	24 V
9	EZ6489	1	Control for ventilator	24 V
10	EEA11315	1	Cable	4.5 m



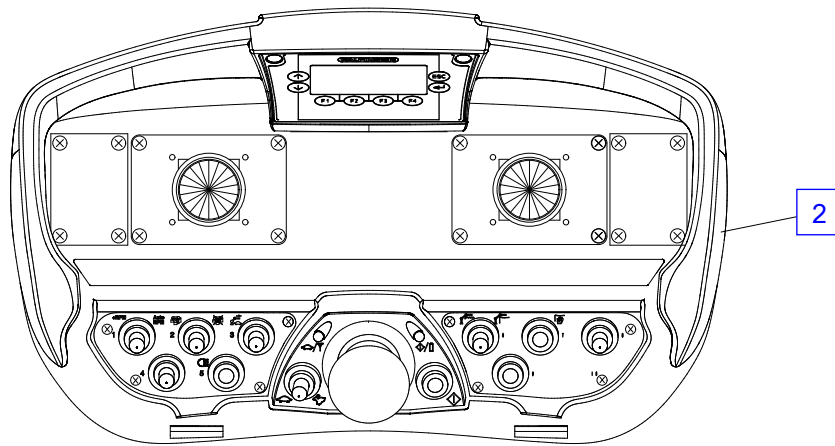
Oil cooler EP2074+00005(6)

No.	Spare part	Qty.	Description	Dimension
	EP2074+00005	1	Oil cooler	24V
1	EZ6492	1	Oil cooler	
2	EZ6541	1	Cap	
3	EZ6540	2	Connecting flange G1-1/4"	
4	EZ6490	1	Temperature sensor	
5	EZ1569	1	Ventilator with motor	24 V
6	EZ6489	1	Control for ventilator	24 V
7	EEA11315	1	Cable	4.5 m



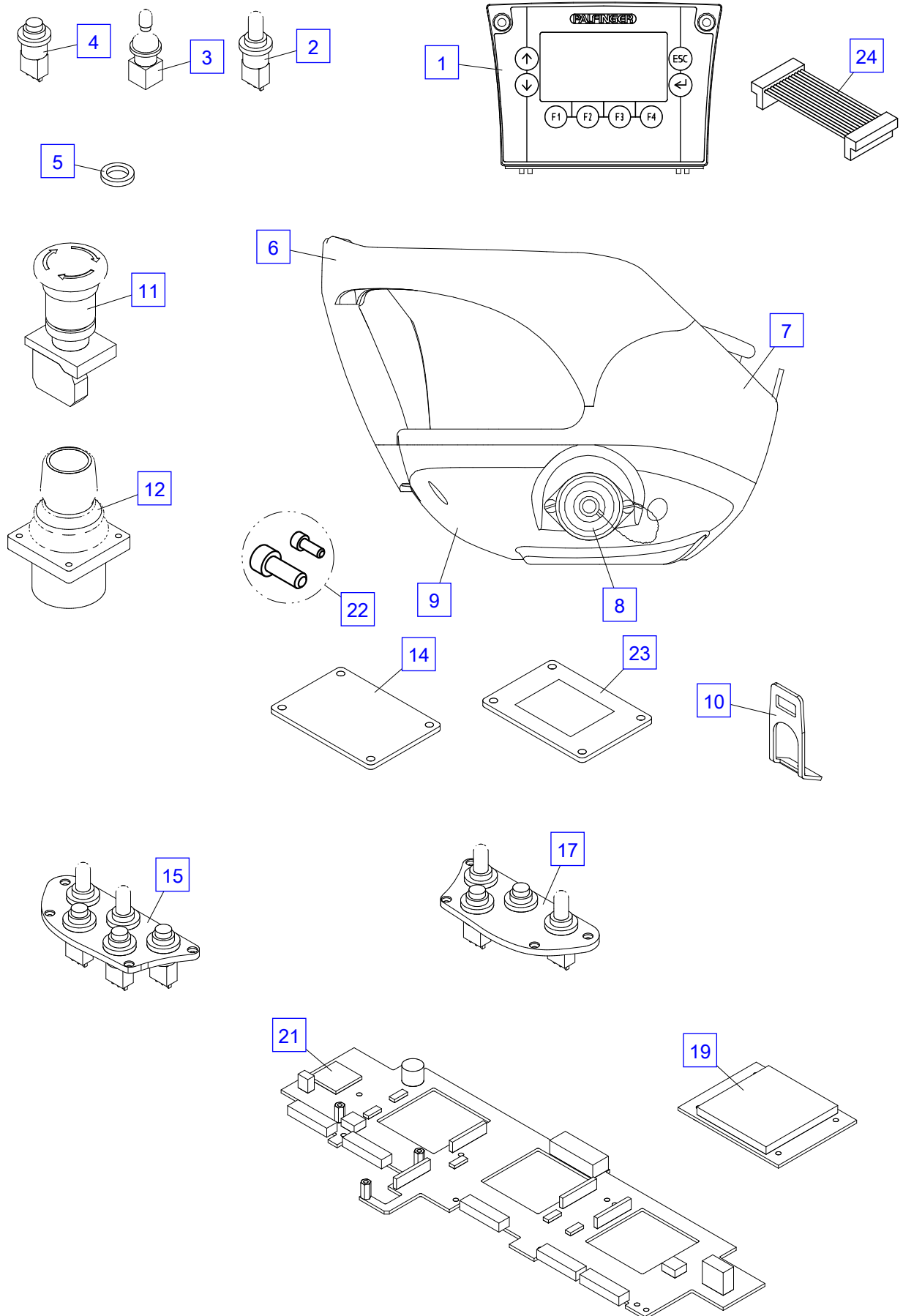
Portable control large

No.	Spare part	Qty.	Description	Dimension
2	EEA6431	1	Transmitter (6-sections) (European frequency) 433 MHz	



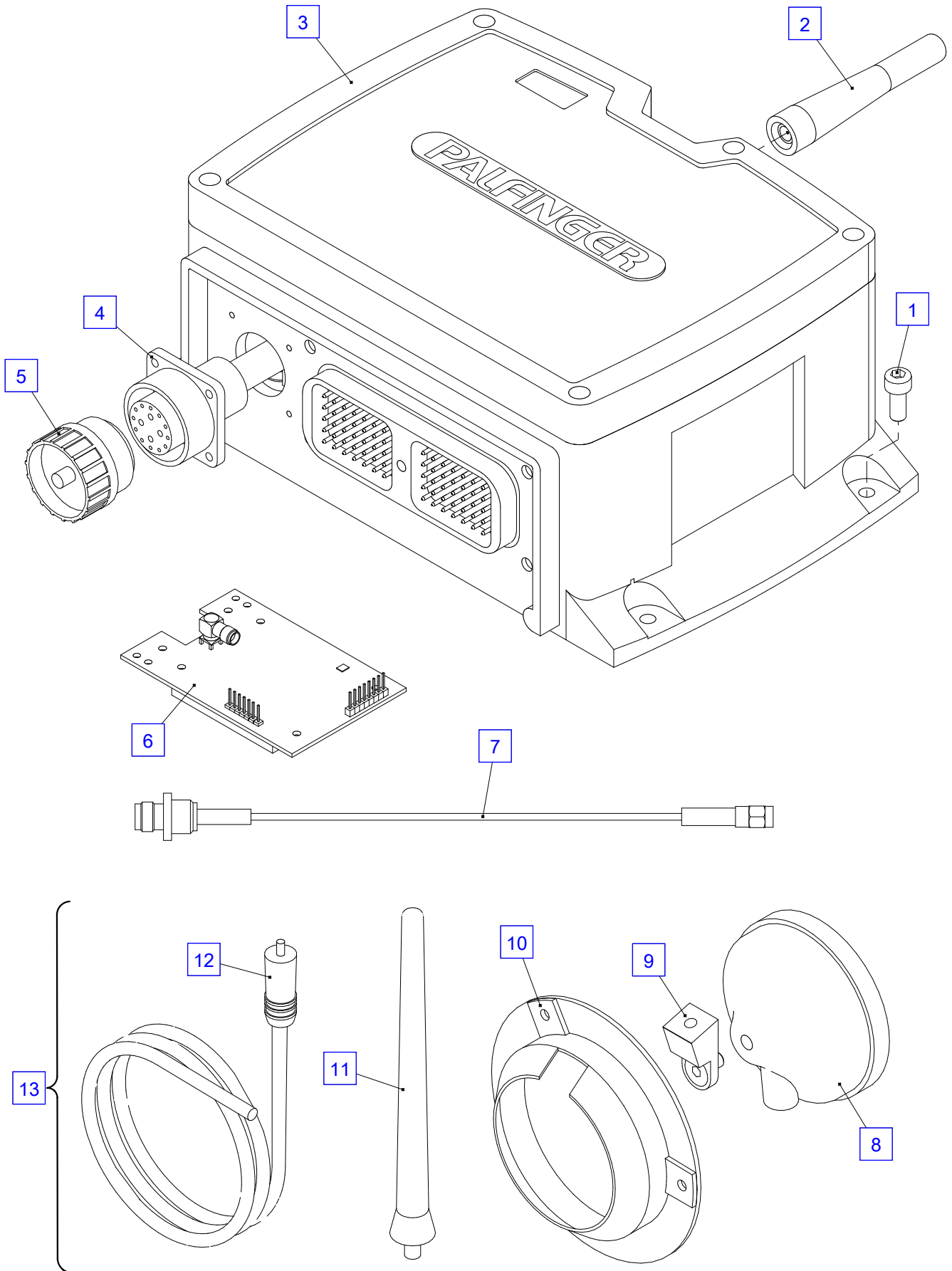
Transmitter - details

No.	Spare part	Qty.	Description	Dimension
1	EEA9900	1	Display	
2	EEA4013	1	Rocker switch	ON-ON
2	EEA2582	1	Rocker switches (detent)	ON-OFF-ON
	EEA2578	1	Cap	
2	EEA2569	1	Rocker switch	ON-OFF-ON
	EEA2578	1	Cap	
3	EEA4059	1	Rocker switches (detent) (2-positions)	ON-OFF-ON
	EEA4430	1	Cap	
4	EEA2570	1	Push button	
	EEA5589	1	Rubber cap	
5	EEA4919	1	Distance ring	
6	EEA4709	1	Housing top Cross lever control	
7	EEA4859	1	Housing Cross lever control	
8	EEA4714	1	Plug	
	EEA4301	1	Cap	
9	EEA4708	1	Housing base	
10	EEA2763	1	Belt attachment	
11	EEA5438	1	Emergency cut-off button	
12	EEA4000	1	Cross levers (biaxial)	2 axis
12	EEA4001	1	Cross levers (triaxial)	3 axis
14	EK1228	1	Planking plate Cross lever control	
15	EEA9902	1	Switch unit Standard	
17	EEA9904	1	Switch unit Standard	
19	EEA4860	1	High Frequency module, cpl. (European frequency) 433 MHz	
21	EEA9908	1	Attachment board Cross lever control	
22	ES3389	1	Screw	
23	EZ6496	1	Cover	
24	EEA9999	1	Connecting cable - Display	



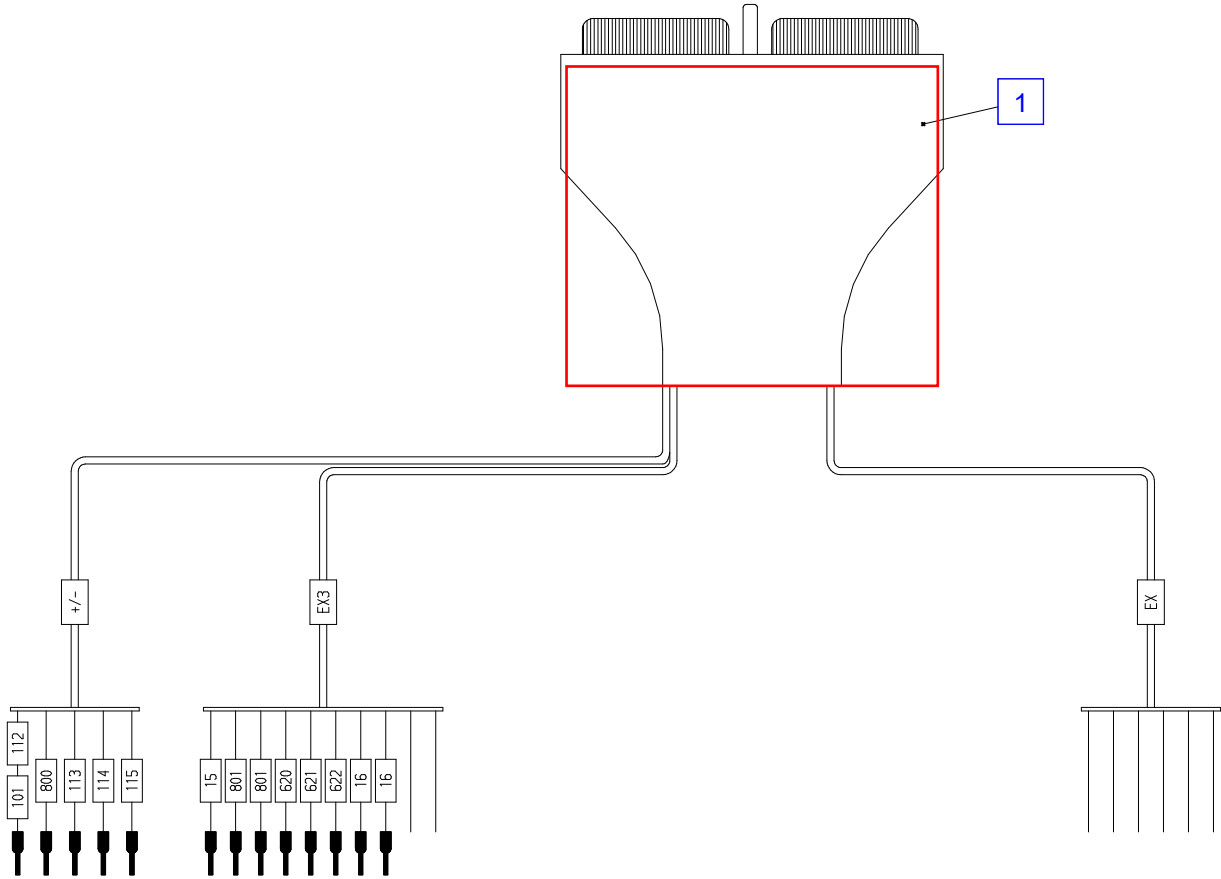
Receiver

No.	Spare part	Qty.	Description	Dimension
1	ES1146	4	Screw	M 6x14 ISO4762- 8.8
2	EEA4796	1	Antenna EUROPA	433 MHz
3	EEA5259	1	Receiver P3 EUROPA	433 MHz
4	EEA4910	1	Plug with cable (15-pole)	
5	EEA4911	1	Cap	
6	EEA4795	1	High frequency part EUROPA	433 MHz
7	EEA4907	1	Connecting cable Attachment board	
8	EEA5096	1	Bearer	
9	EEA5097	1	Adapter	
10	EEA5095	1	Bearer	
11	EEA5094	1	Antenna EUROPA	433 MHz
12	EEA5098	1	Antenna cable	2.5 m
12	EEA5099	1	Antenna cable	5 m
12	EEA5100	1	Antenna cable	10 m
13	EEA5781	1	Antenna kit EU	433 MHz



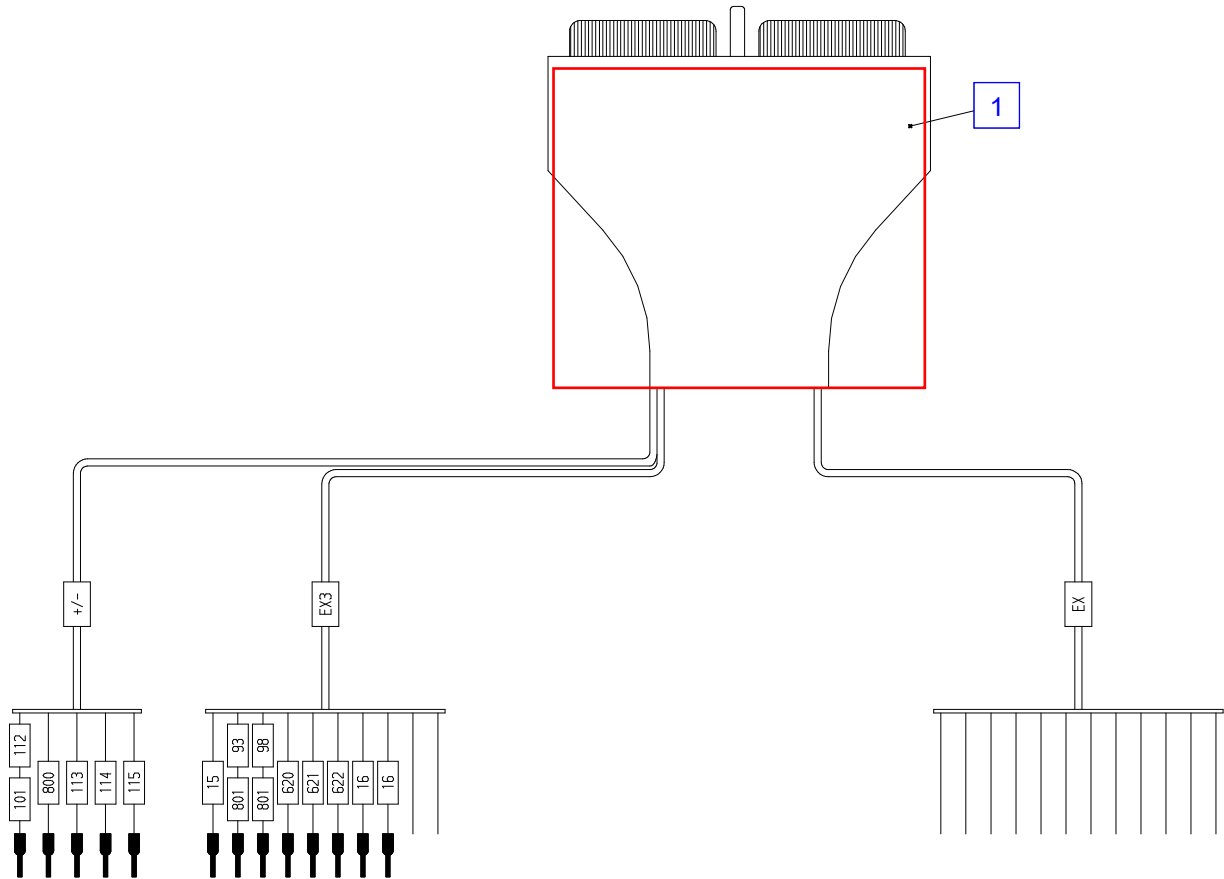
Cable harness

No.	Spare part	Qty.	Description	Dimension
1	EEA16226	1	Cable harness EX (6-pole)	



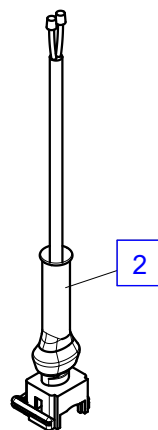
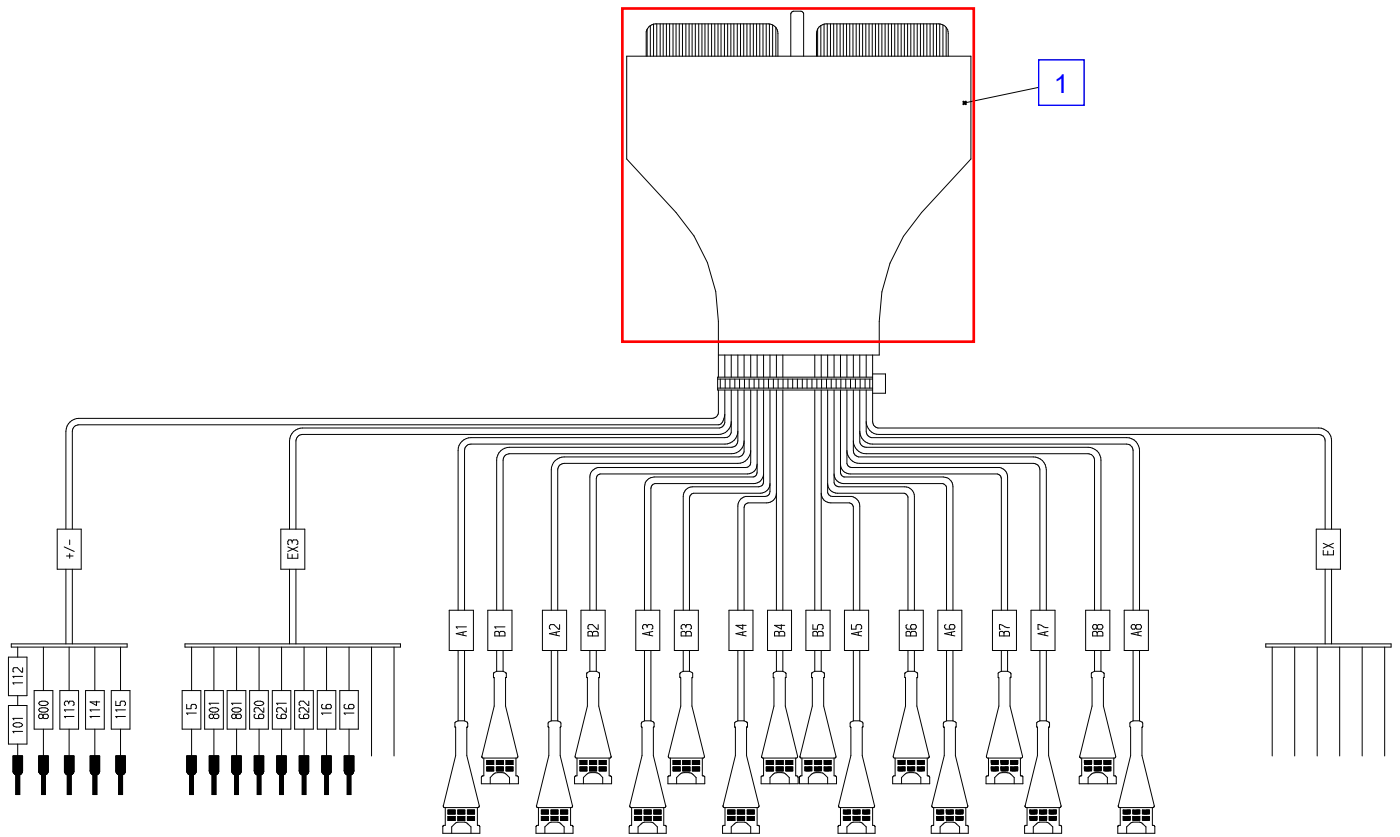
Cable harness

No.	Spare part	Qty.	Description	Dimension
1	EEA16227	1	Cable harness EX (12-pole)	



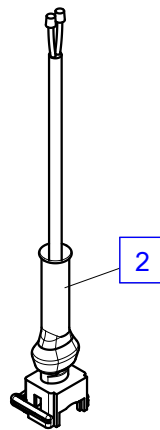
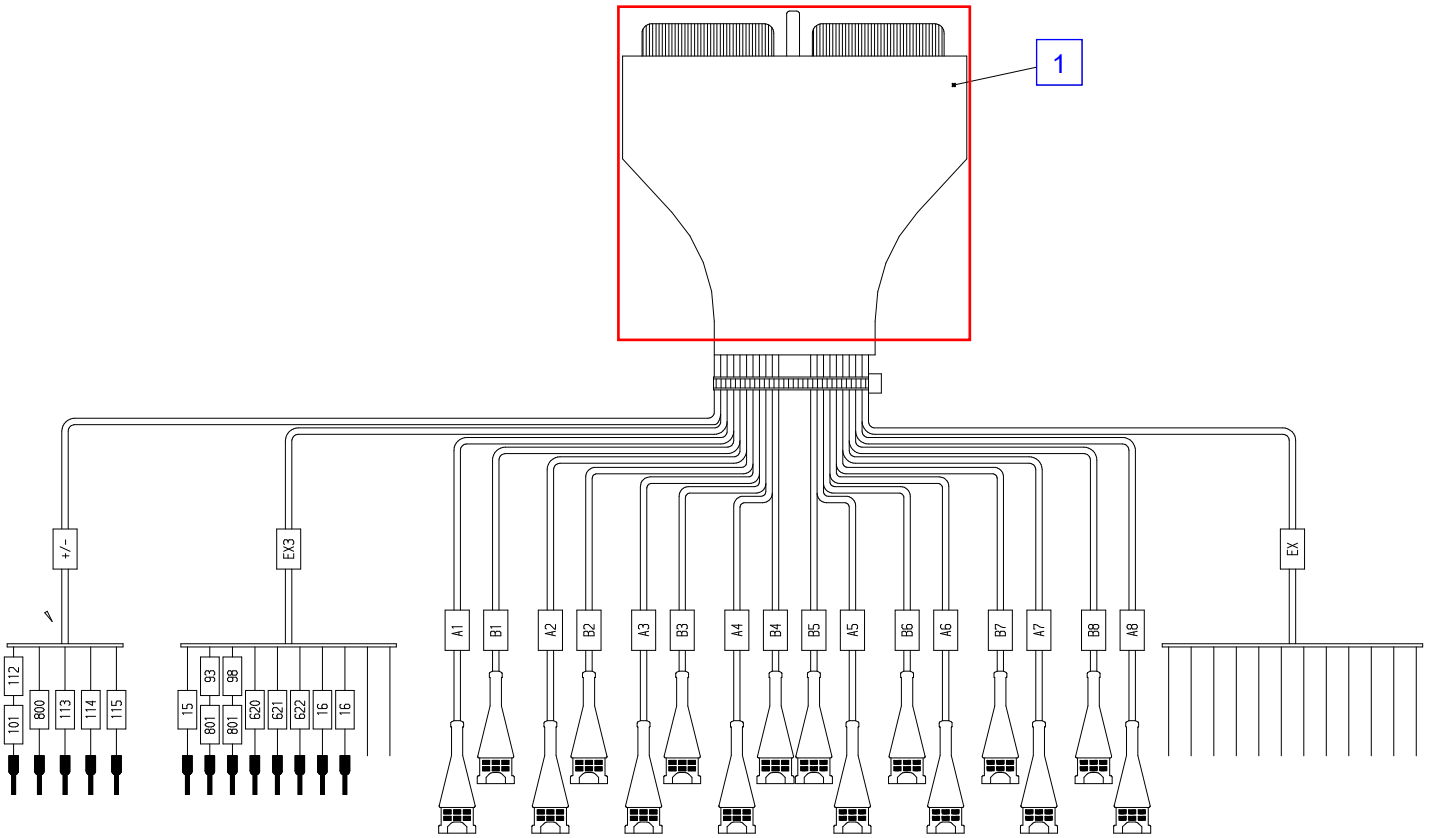
Cable harness

No.	Spare part	Qty.	Description	Dimension
1	EEA16056	1	Cable harness EX (6-pole)	PWM
2	EEA5634	1	Plug with cable (2-pole)	l=2710 mm PWM



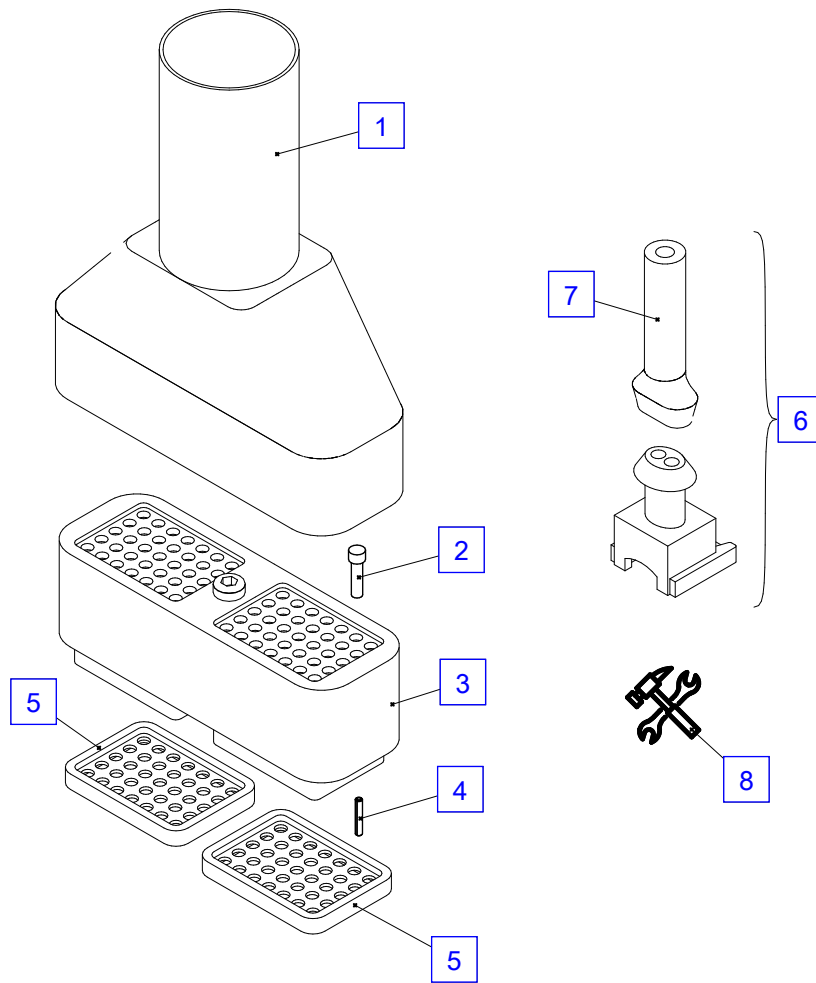
Cable harness

No.	Spare part	Qty.	Description	Dimension
1	EEA16057	1	Cable harness EX (12-pole)	PWM
2	EEA5634	1	Plug with cable (2-pole)	l=2710 mm PWM



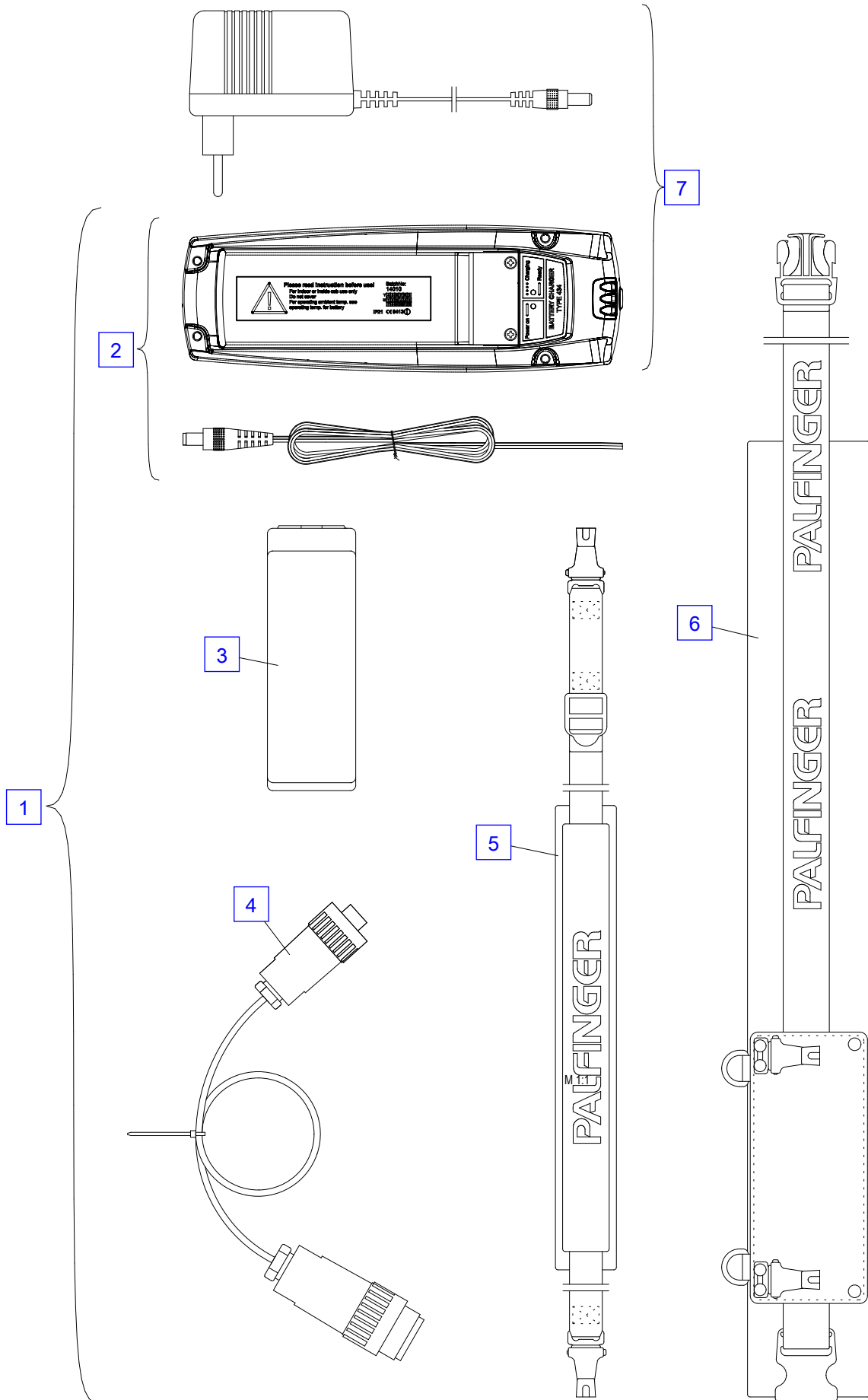
Plug

No.	Spare part	Qty.	Description	Dimension
1	EEA4169	1	Rubber cap	
2	EEA4423	1	Seal plug	
3	EEA4090	1	Plug (+5)	
4	EEA4092	1	Contact	1-2.8 mm
4	EEA4093	1	Contact	0.5-1 mm
5	EEA4424	2	Seal	
6	EEA4425	1	Plug (2-pole)	
7	EEA4426	1	Rubber grummet	
8	EKD 080	1	Set of universal crimping pliers	
8	EKD 081	1	Set of universal crimping contacts	



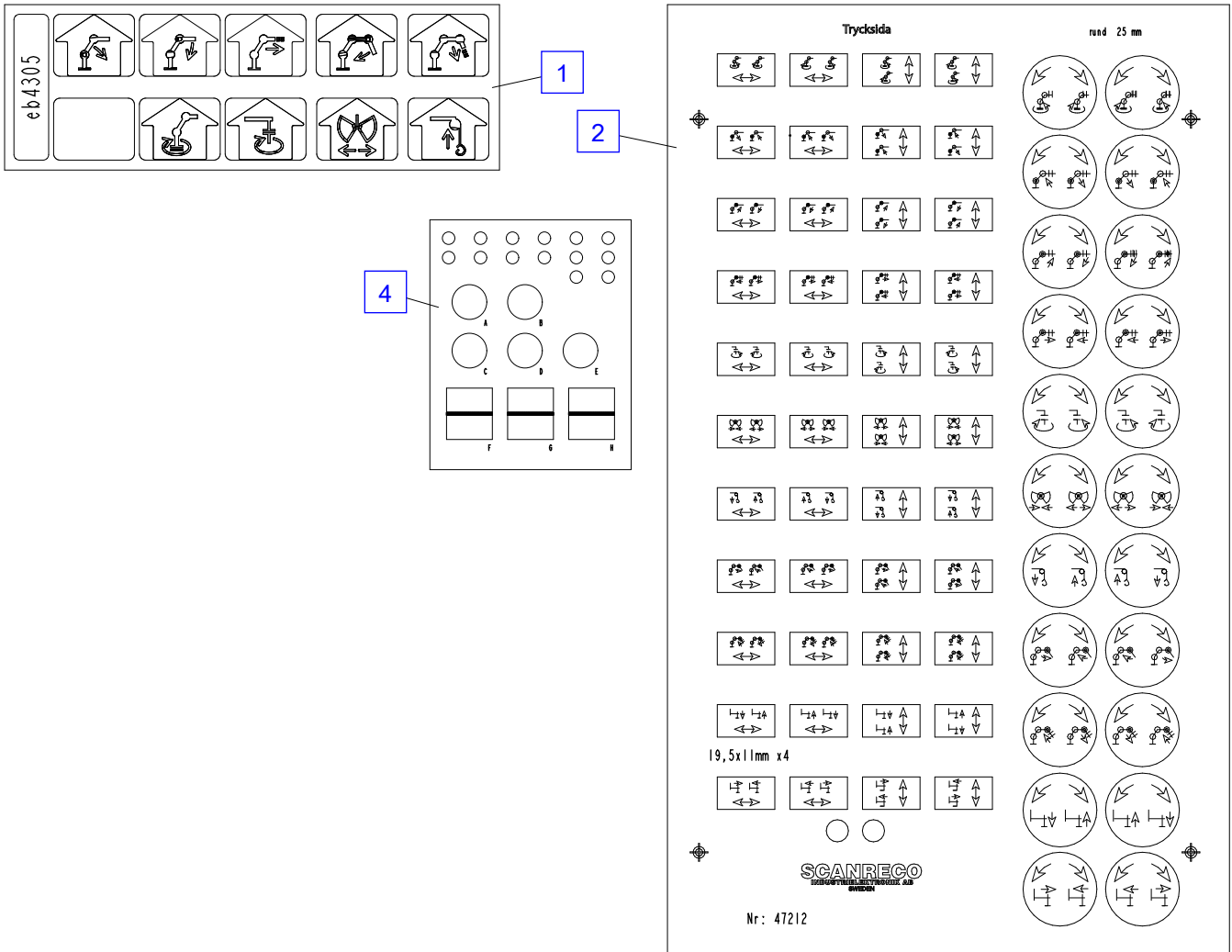
Accessories

No.	Spare part	Qty.	Description	Dimension
1	EZ2600	1	Accessories Set (+2,3,4,5,6)	
2	EEA4291	1	Charger	10-30V
3	EEA2512	2	Accu	7.2 VDC
4	EEA4699	1	Control cables	L=10m
5	EZ1607	1	Neck belt	
6	EZ1608	1	Lap belt	
7	EEA4404	1	Charger	110-220VAC



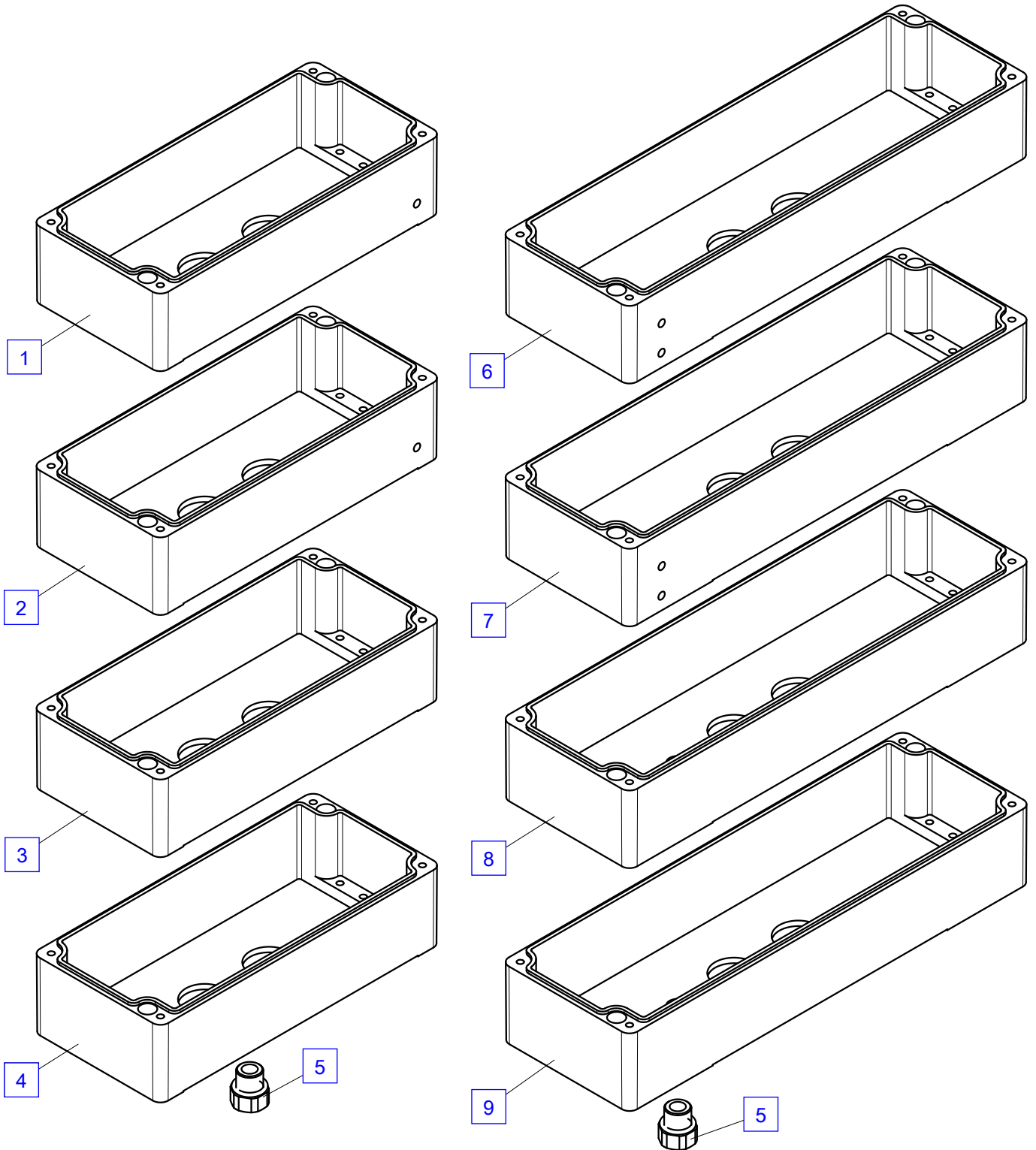
Decals

No.	Spare part	Qty.	Description	Dimension
1	EB4305	1	Symbol sign	
2	EK1143	1	Symbol sign	
4	EK 879	1	Decals Cross lever control	



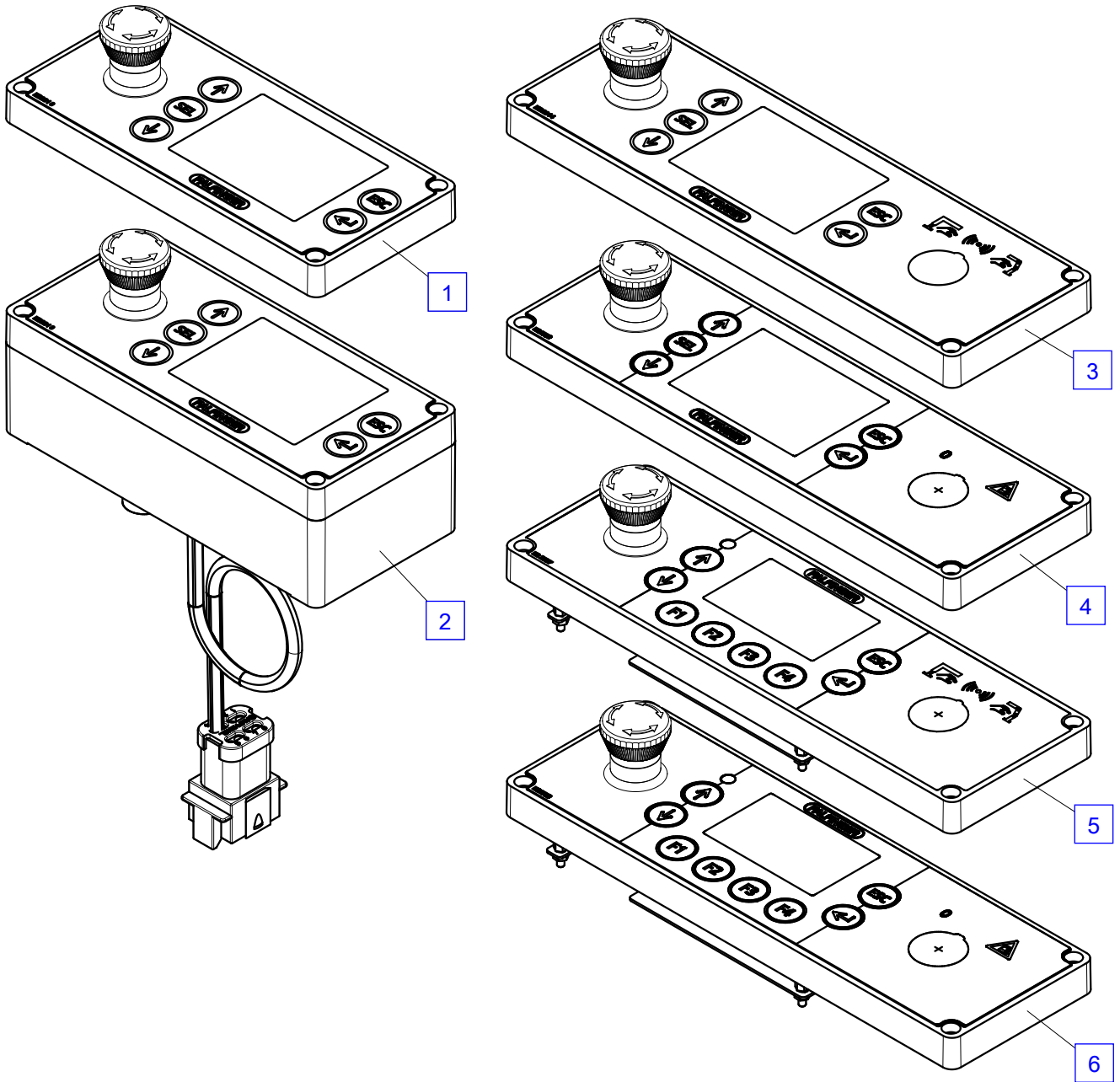
Housing base

No.	Spare part	Qty.	Description	Dimension
1	EEA3689	1	Base	175x80x43.5
2	EEA5464	1	Base	175x80x43.5
3	EEA6391	1	Base for breather membrane The membrane are not included in the delivery.	175x80x43.5
4	EEA5465	1	Base for breather membrane The membrane are not included in the delivery.	175x80x43.5
5	EEA3909	1	Breather valve	M 12x1.5
5	EEA6395	1	Ventilation membrane	M 12x1.5
6	EEA 269	1	Base	250x80x43.5
7	EEA5463	1	Base	250x80x43,5
8	EEA5466	1	Base for breather membrane The membrane are not included in the delivery.	250x80x43,5
9	EEA6392	1	Base for breather membrane The membrane are not included in the delivery.	250x80x43.5



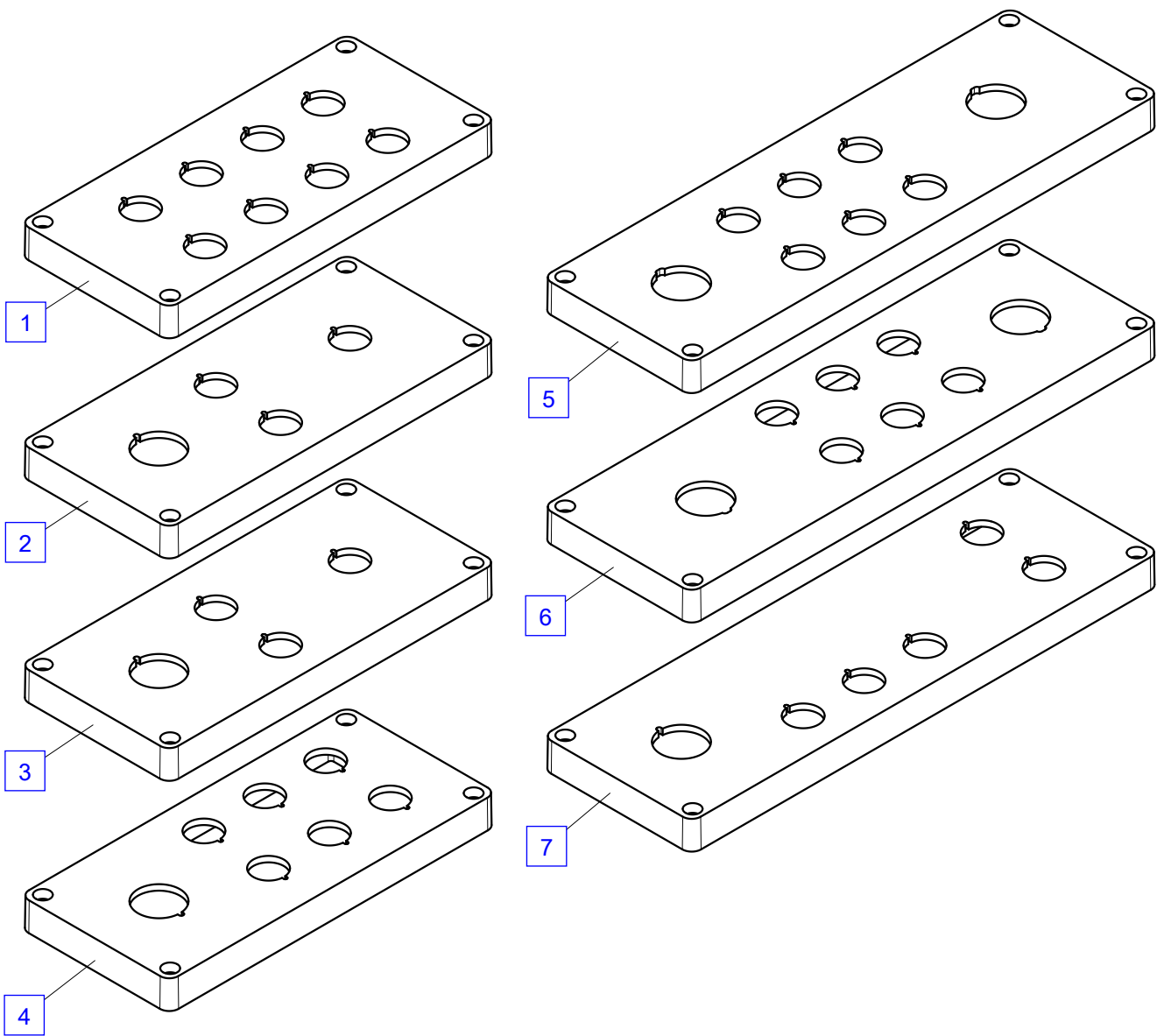
Terminal PT150

No.	Spare part	Qty.	Description	Dimension
1	EEA5612	1	Terminal PT150 EB2313	
2	EEA18949	1	Terminal + Plug with cable PT150	
3	EEA5611	1	Terminal PT150 EB2314	
4	EEA5613	1	Terminal PT150 EB1552	
5	EEA5746	1	Terminal PT150 EB2557	
6	EEA5748	1	Terminal PT150 EB1553	



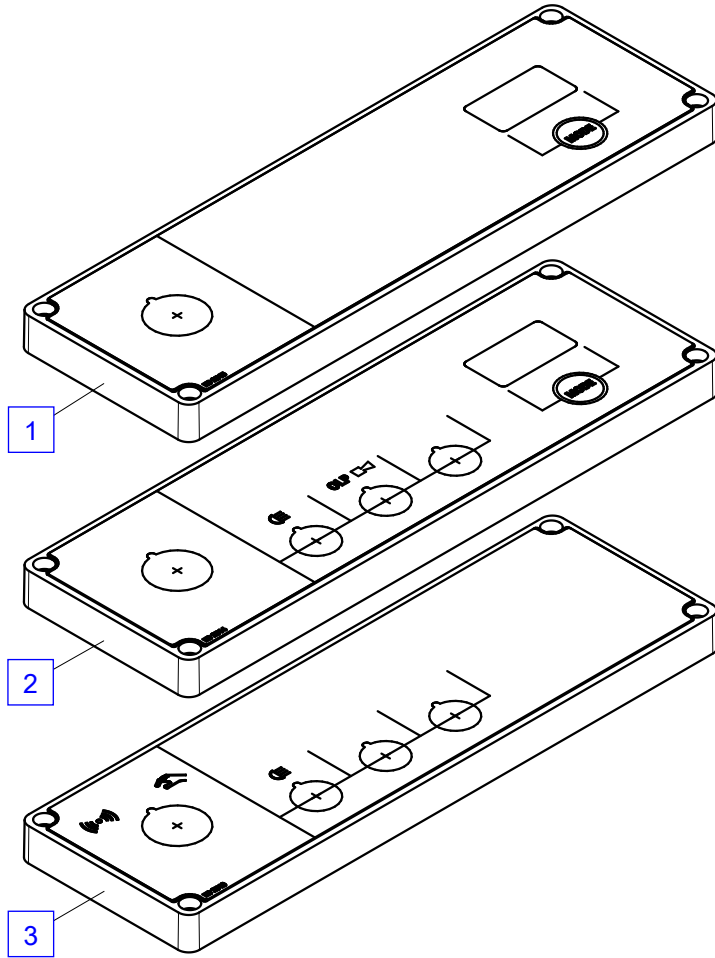
Cover

No.	Spare part	Qty.	Description	Dimension
1	EEA 292	1	Cover	175x80x15
2	EEA 391	1	Cover	175x80x15
3	EEA5462	1	Cover	175x80x15
4	EEA 163	1	Cover	175x80x15
5	EEA 439	1	Cover	250x80x15
6	EEA5461	1	Cover	250x80x15
7	EEA12571	1	Cover	250x80x15



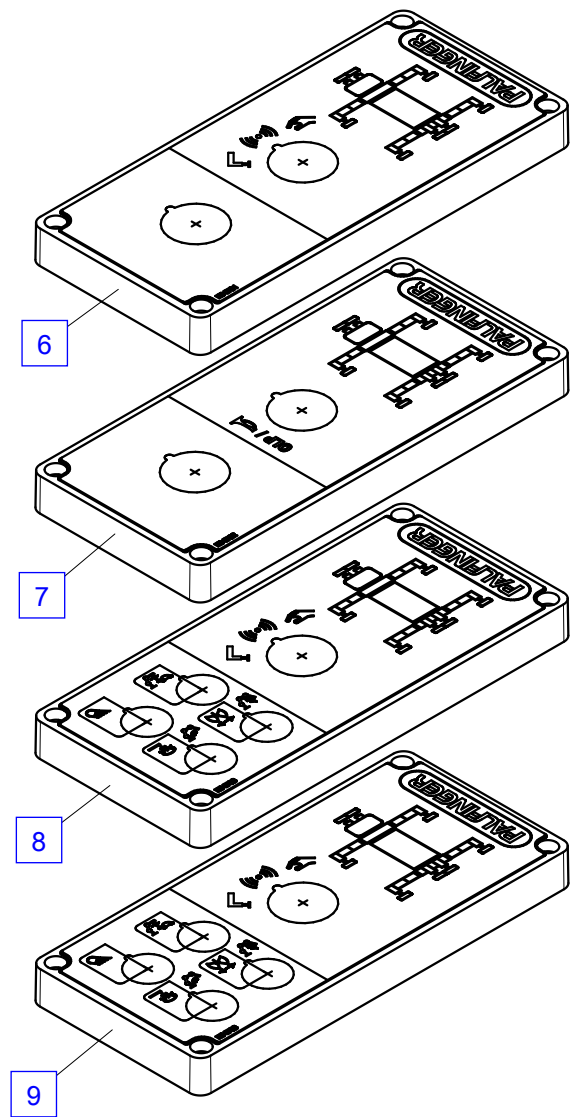
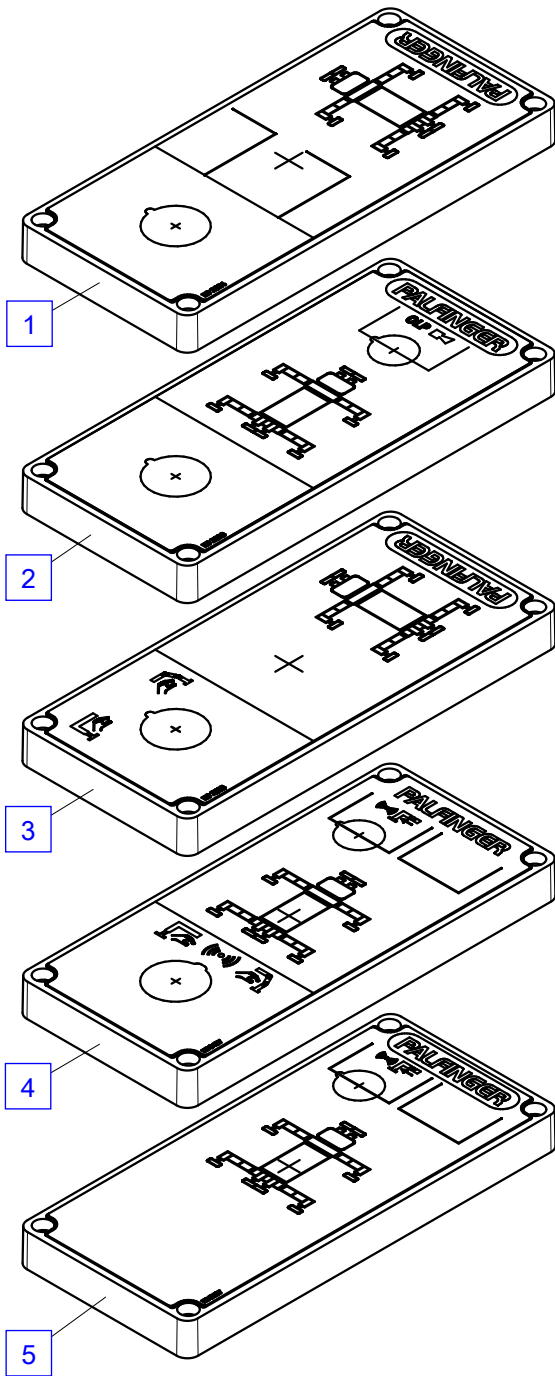
Housing top

No.	Spare part	Qty.	Description	Dimension
1	EEA11524	1	Cover + Symbol sign EB2515	
2	EEA12422	1	Cover + Symbol sign EB2514	
3	EEA12490	1	Cover + Symbol sign EB2519	



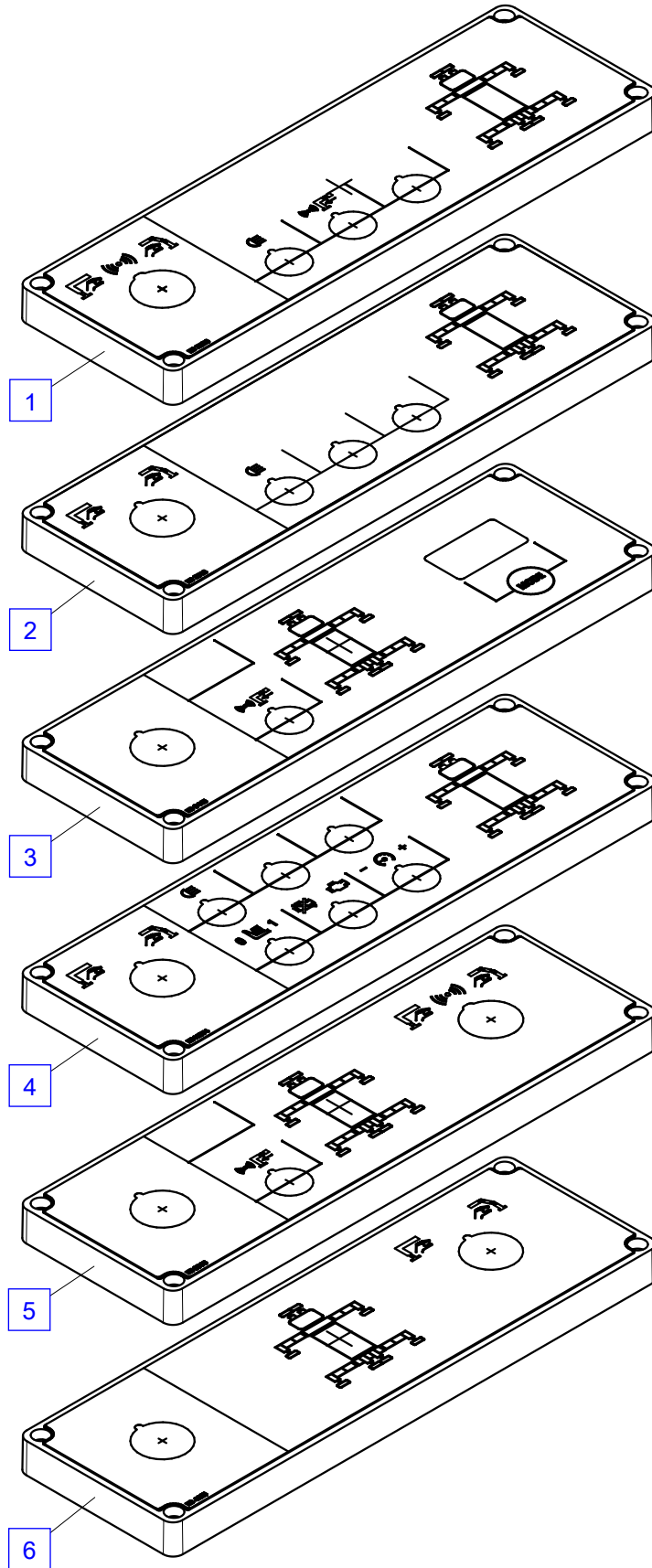
Housing top ISC (175 mm)

No.	Spare part	Qty.	Description	Dimension
1	EEA11520	1	Cover + Symbol sign EB2824	
2	EEA12480	1	Cover + Symbol sign EB2823	
3	EEA12489	1	Cover + Symbol sign EB2306	
4	EEA12491	1	Cover + Symbol sign EB3137	
5	EEA12493	1	Cover + Symbol sign EB3537	
6	EEA12483	1	Cover + Symbol sign EB4701	
7	EEA12484	1	Cover + Symbol sign EB4702	
8	EEA12485	1	Cover + Symbol sign EB4703	
9	EEA12486	1	Cover + Symbol sign EB5859	



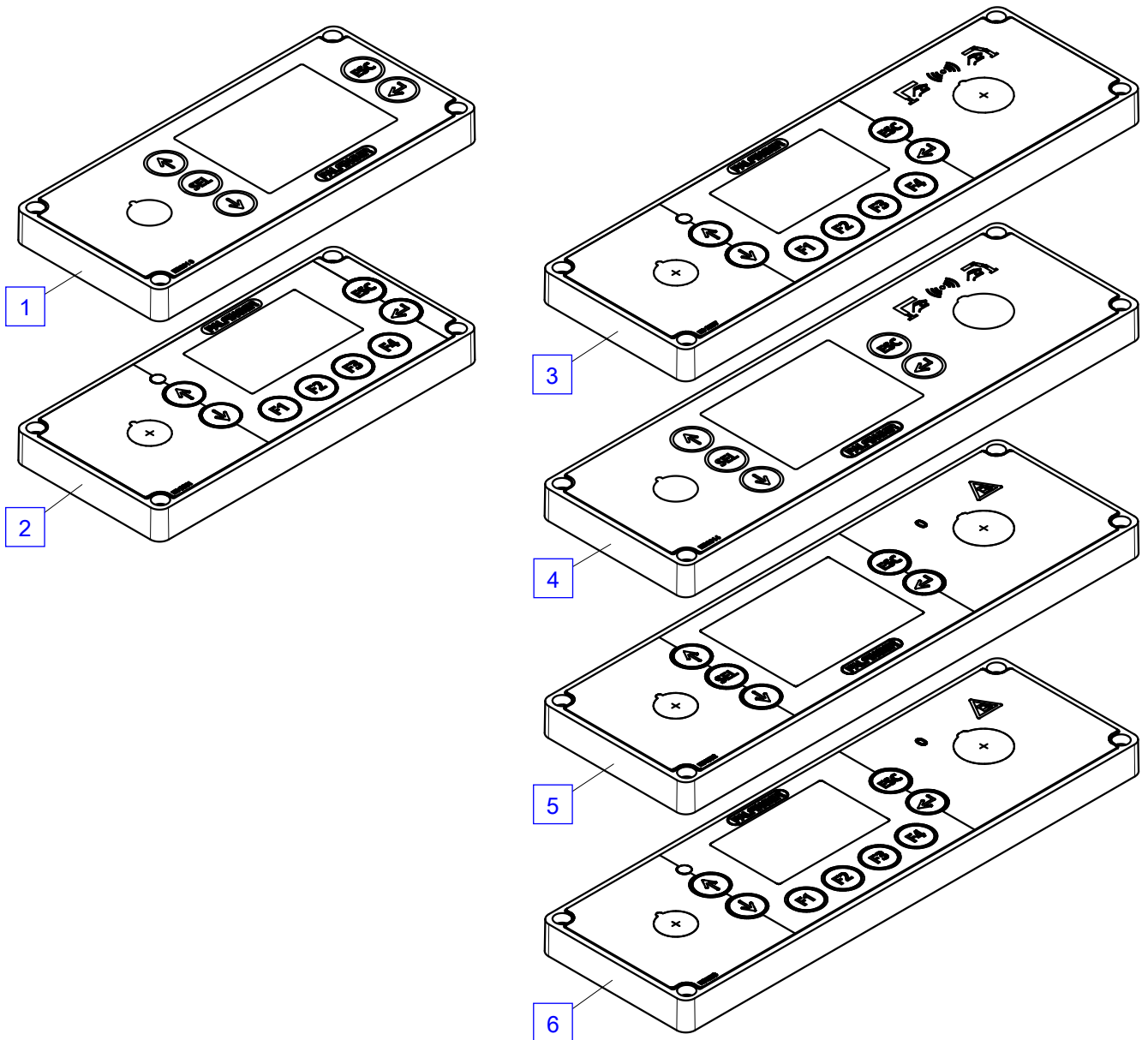
Housing top ISC (250 mm)

No.	Spare part	Qty.	Description	Dimension
1	EEA11519	1	Cover + Symbol sign EB2520	
2	EEA12479	1	Cover + Symbol sign EB2518	
3	EEA12482	1	Cover + Symbol sign EB3415	
4	EEA12488	1	Cover + Symbol sign EB11974	
5	EEA12492	1	Cover + Symbol sign EB3398	
6	EEA12494	1	Cover + Symbol sign EB4220	



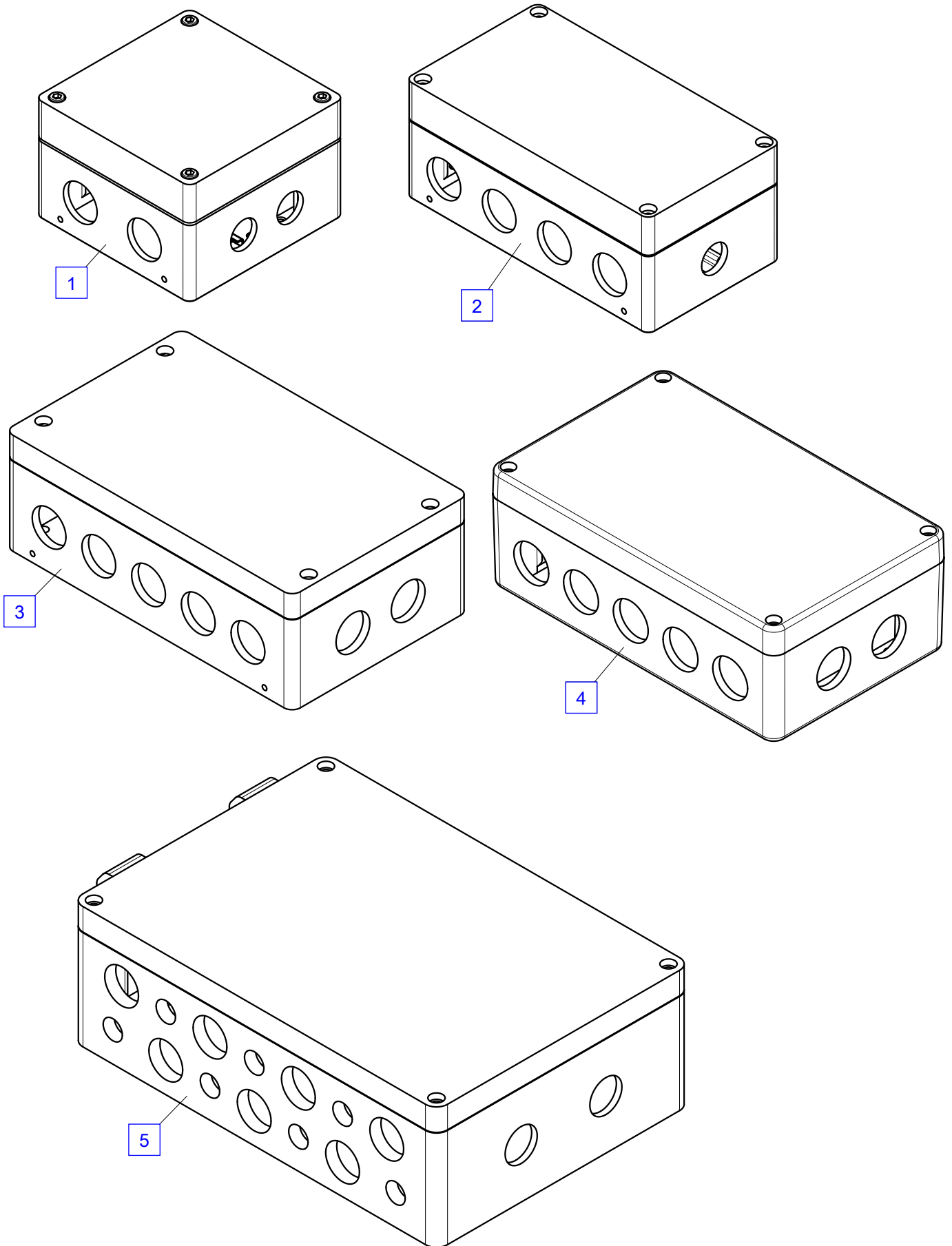
Housing top PT150

No.	Spare part	Qty.	Description	Dimension
1	EEA12319	1	Cover + Symbol sign EB2313	
2	EEA12481	1	Cover + Symbol sign EB3081	
3	EEA11525	1	Cover + Symbol sign EB2557	
4	EEA12318	1	Cover + Symbol sign EB2314	
5	EEA12320	1	Cover + Symbol sign EB1552	
6	EEA12425	1	Cover + Symbol sign EB1553	



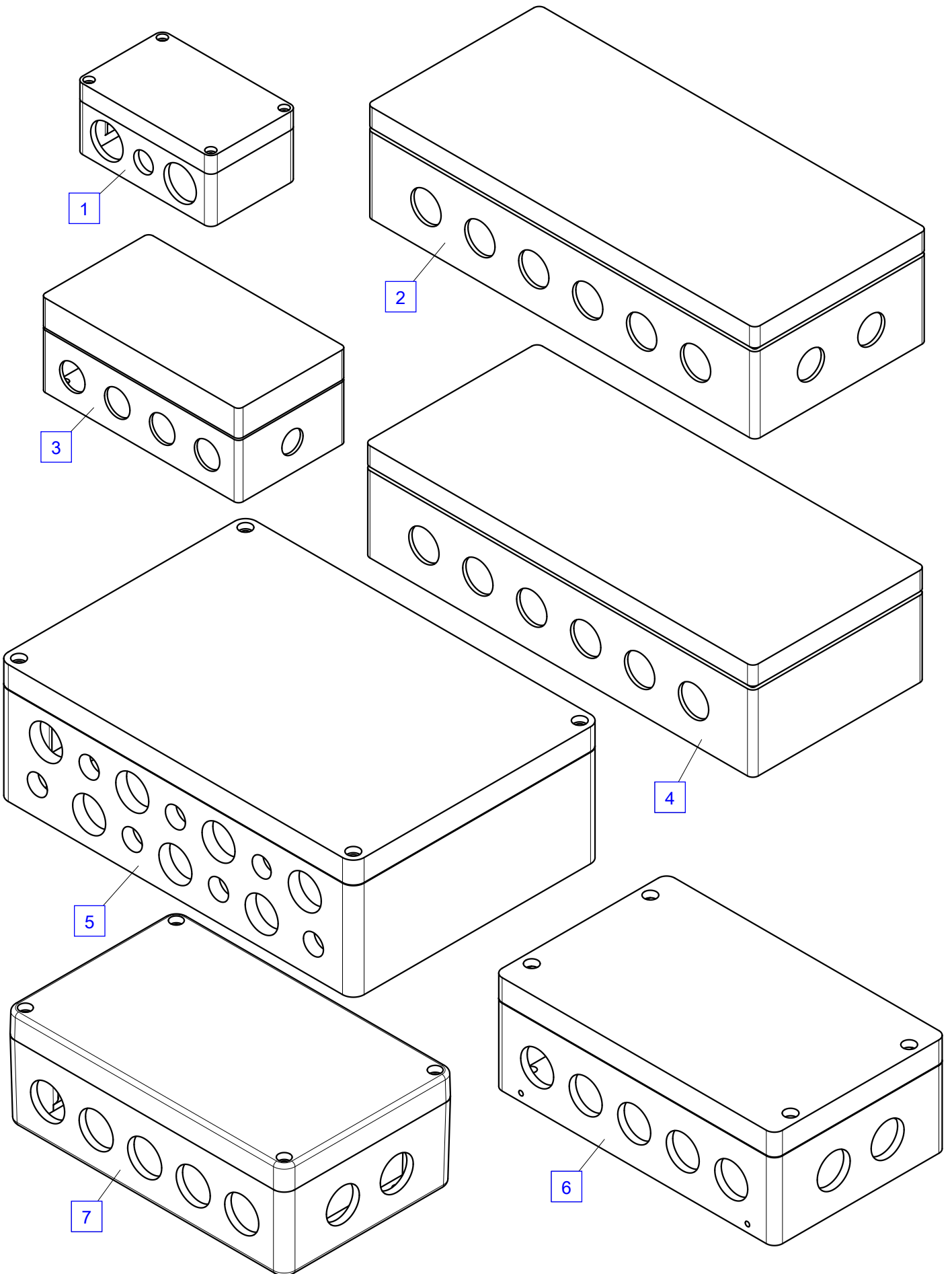
Connection box (1)

No.	Spare part	Qty.	Description	Dimension
1	EEA3936	1	Connection box	140x140x92
2	EEA11683	1	Connection box	220x120x91
	ES3567	4	Screw	M 6x25 ISO4762
	ES3568	4	Screw	M 6x30 ISO4762
	ES3569	4	Screw	M 6x35 ISO4762
3	EEA11079	1	Connection box	260x160x91
	ES3569	4	Screw	M 6x35 ISO4762
	ES3567	4	Screw	M 6x25 ISO4762
	ES3568	4	Screw	M 6x30 ISO4762
4	EEA5667	1	Connection box	260x160x91
5	EEA4457	1	Connection box 7xM 20x1.5+9xM 32x1.5	330x230x110 mm
	EEA6440	1	Construction joint kit	
	ES3569	4	Screw	M 6x35 ISO4762
	ES3567	4	Screw	M 6x25 ISO4762
	ES3568	4	Screw	M 6x30 ISO4762



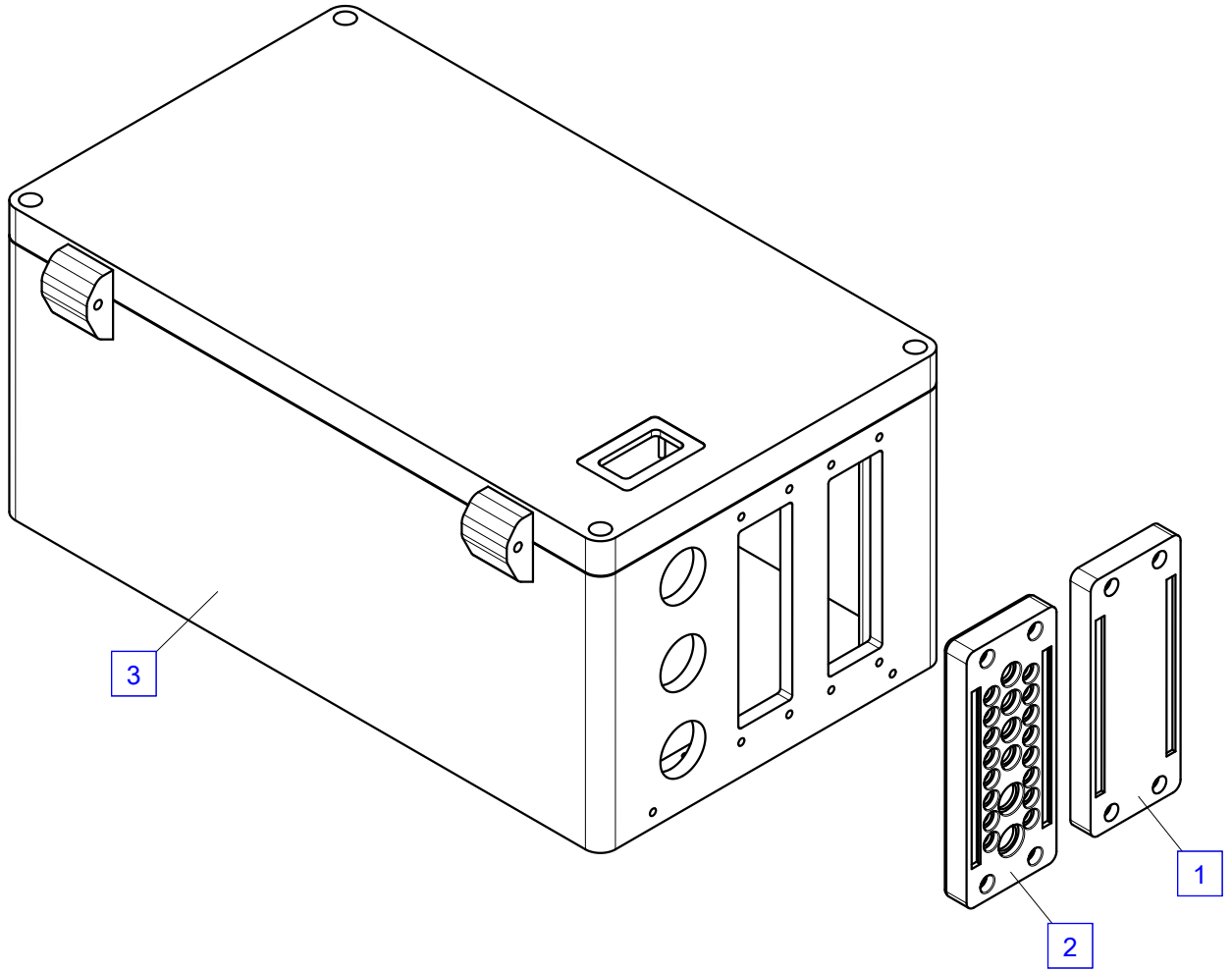
Connection box (2)

No.	Spare part	Qty.	Description	Dimension
1	EEA3685	1	Connection box	125x80x57 mm
1	EEA5472	1	Connection box	125x80x57
2	EEA3688	1	Connection box 2xM 25x1.5+6xM 32x1.5	360x160x90 mm
	ES3567	4	Screw	M 6x25 ISO4762
	ES3568	4	Screw	M 6x30 ISO4762
	ES3569	4	Screw	M 6x35 ISO4762
3	EEA3693	1	Connection box 1xM 25x1.5+4xM 32x1.5	220x120x91 mm
4	EEA13478	1	Connection box	360x160x90
5	EEA3686	1	Connection box 7xM 20x1.5+9xM 32x1.5	330x230x110 mm
	ES3569	4	Screw	M 6x35 ISO4762
	ES3567	4	Screw	M 6x25 ISO4762
	ES3568	4	Screw	M 6x30 ISO4762
6	EEA3687	1	Connection box	260x160x100
	ES3569	4	Screw	M 6x35 ISO4762
	ES3567	4	Screw	M 6x25 ISO4762
	ES3568	4	Screw	M 6x30 ISO4762
7	EEA12938	1	Connection box	260x160x91



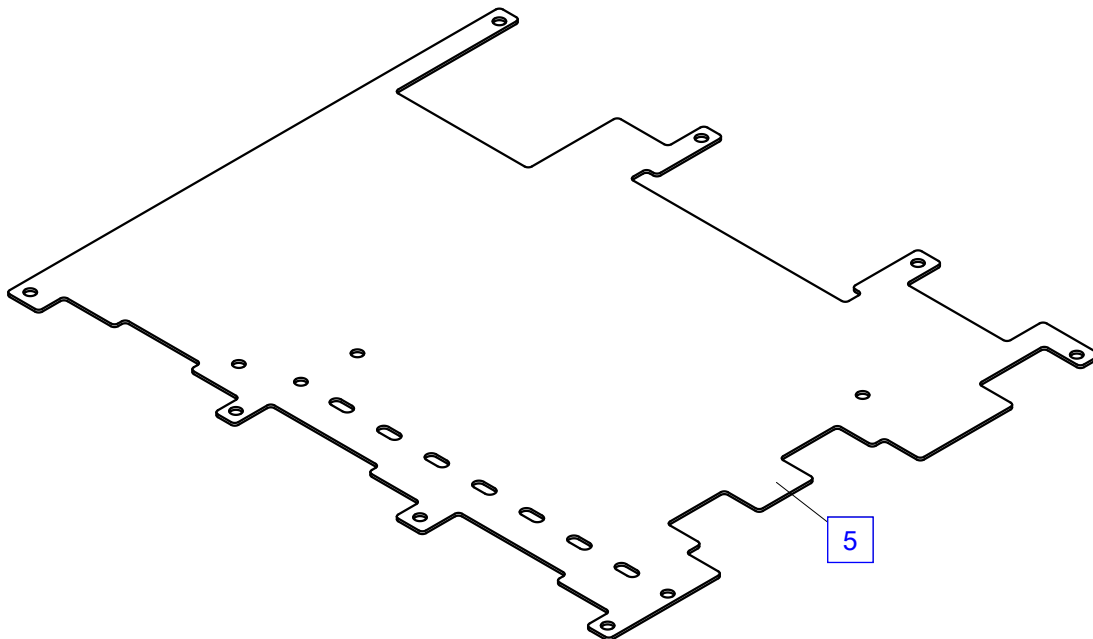
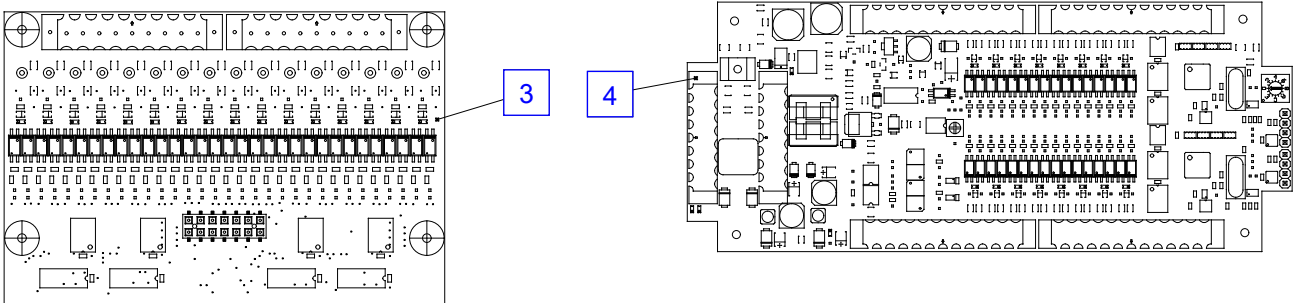
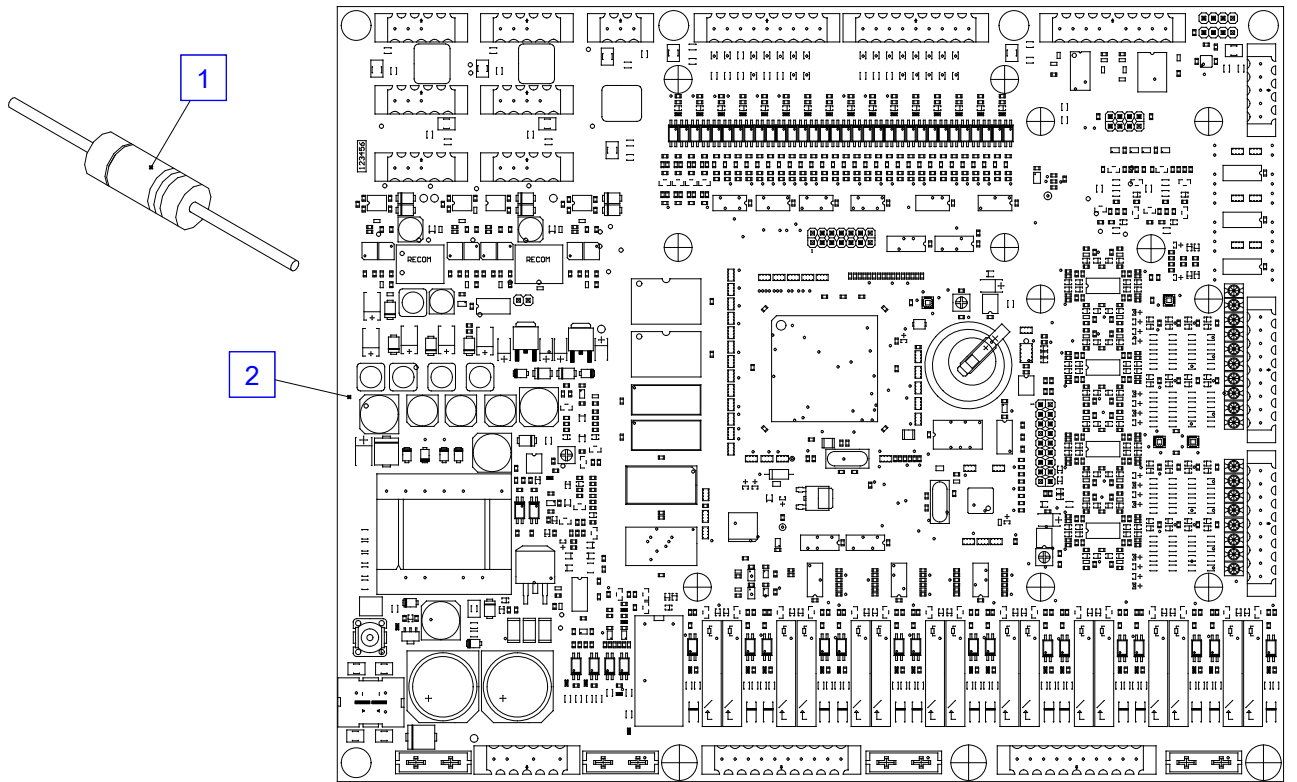
Housing

No.	Spare part	Qty.	Description	Dimension
1	EEA6075	1	Planking plate	
2	EEA12591	1	Running of cable	KDP/X 24/22-1
3	EEA5076	1	Connection box 3xM 32x1.5	400x230x180 mm
	ES3567	4	Screw	M 6x25 ISO4762
	ES3569	4	Screw	M 6x35 ISO4762
	ES3568	4	Screw	M 6x30 ISO4762
	EEA6440	1	Construction joint kit	
	EEA16347	1	Cover	



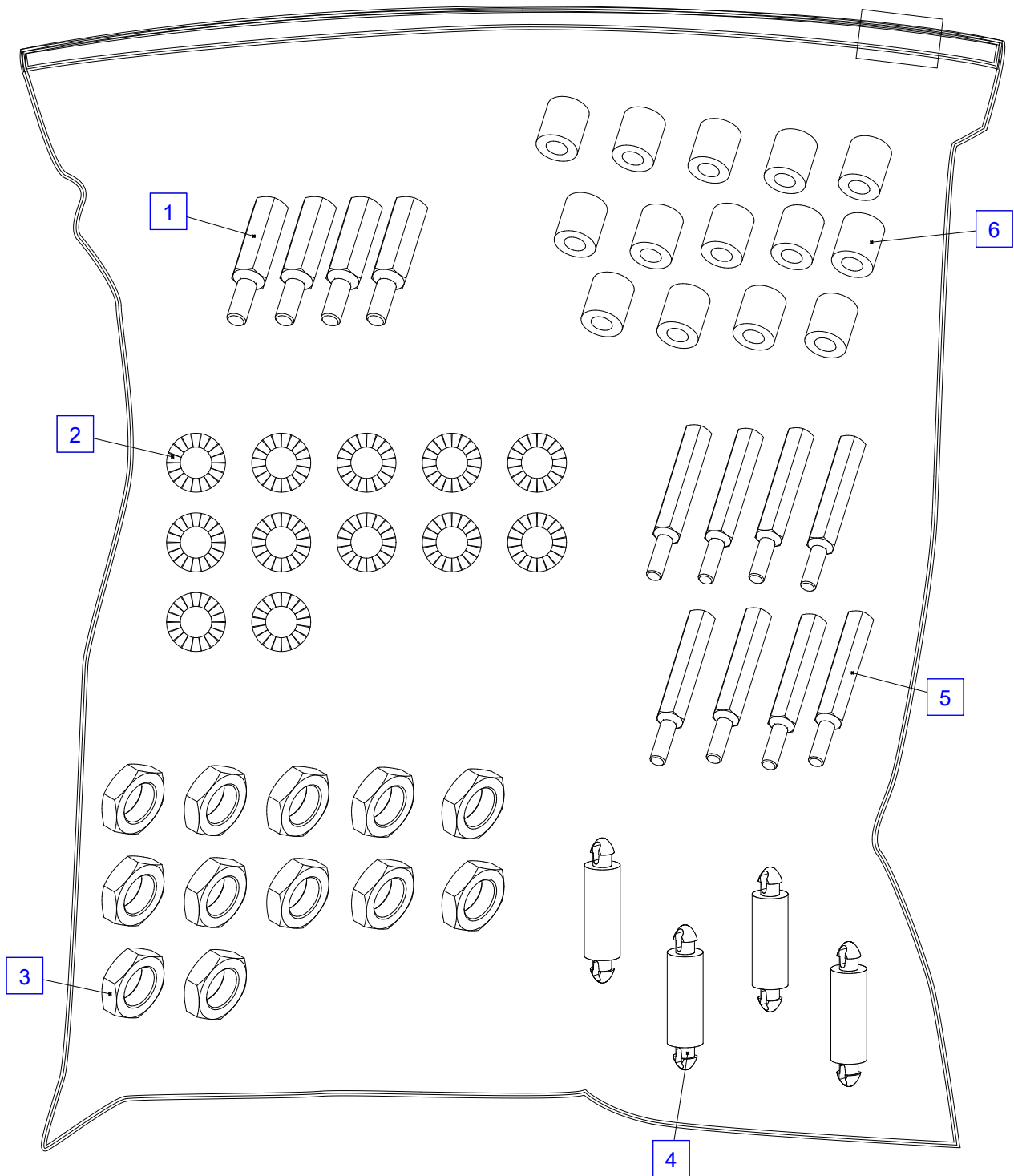
Attachment board, cpl. PT150

No.	Spare part	Qty.	Description	Dimension
1	EEA3069	1	Resistor PJ	12,7 k Ω / 24V
1	EEA3070	1	Resistor PJ	6,2 k Ω / 12V
1	EEA4456	1	Resistor	120 Ω
1	EEA5315	1	Resistor CAN-Bus	511 Ω
1	EEA6322	1	Resistor CAN-Bus	237 Ω
2	EEA16971B	1	Main board	
3	EEA5341	1	Attachment board digital	
4	EEA5788	1	Attachment board CAN	
5	HT9394	1	Cover plate	



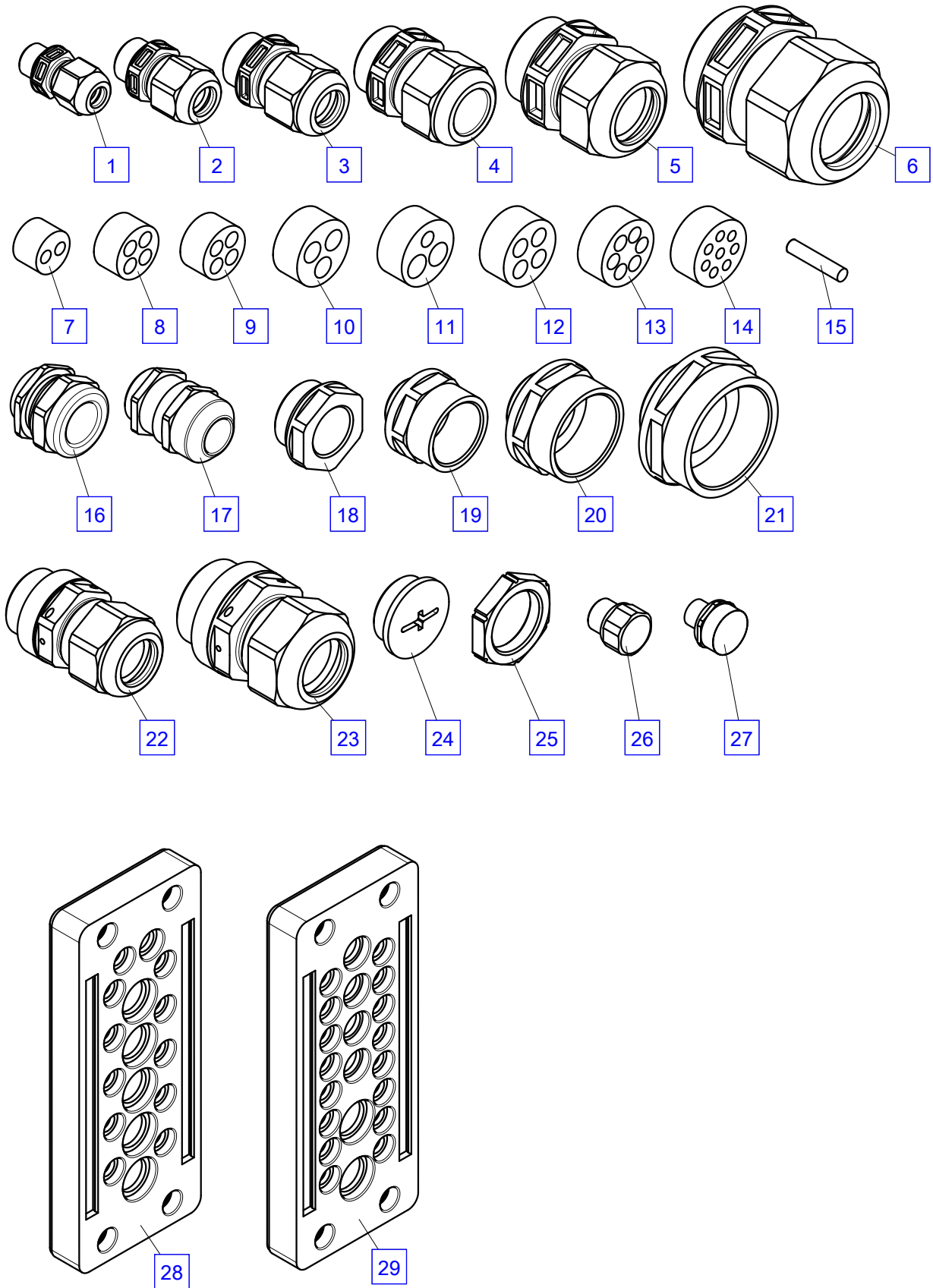
Fastener Attachment board

No.	Spare part	Qty.	Description	Dimension
	EEA5368	1	Kit PAL 150	
1	EEA5360	4	Distance pin	M 3x15 mm SW5
2	EQ1495	12	Fan disc	A 3.2 mm DIN 6798
3	EM 226	12	Nut	M 3 DIN 934
4	EEA9380	4	Spacing case	l=8 mm
5	HIG 968	8	Distance pin	M 3x25 mm SW5
6	HBK 228	14	Spacer	l=8 mm d=3.6 mm



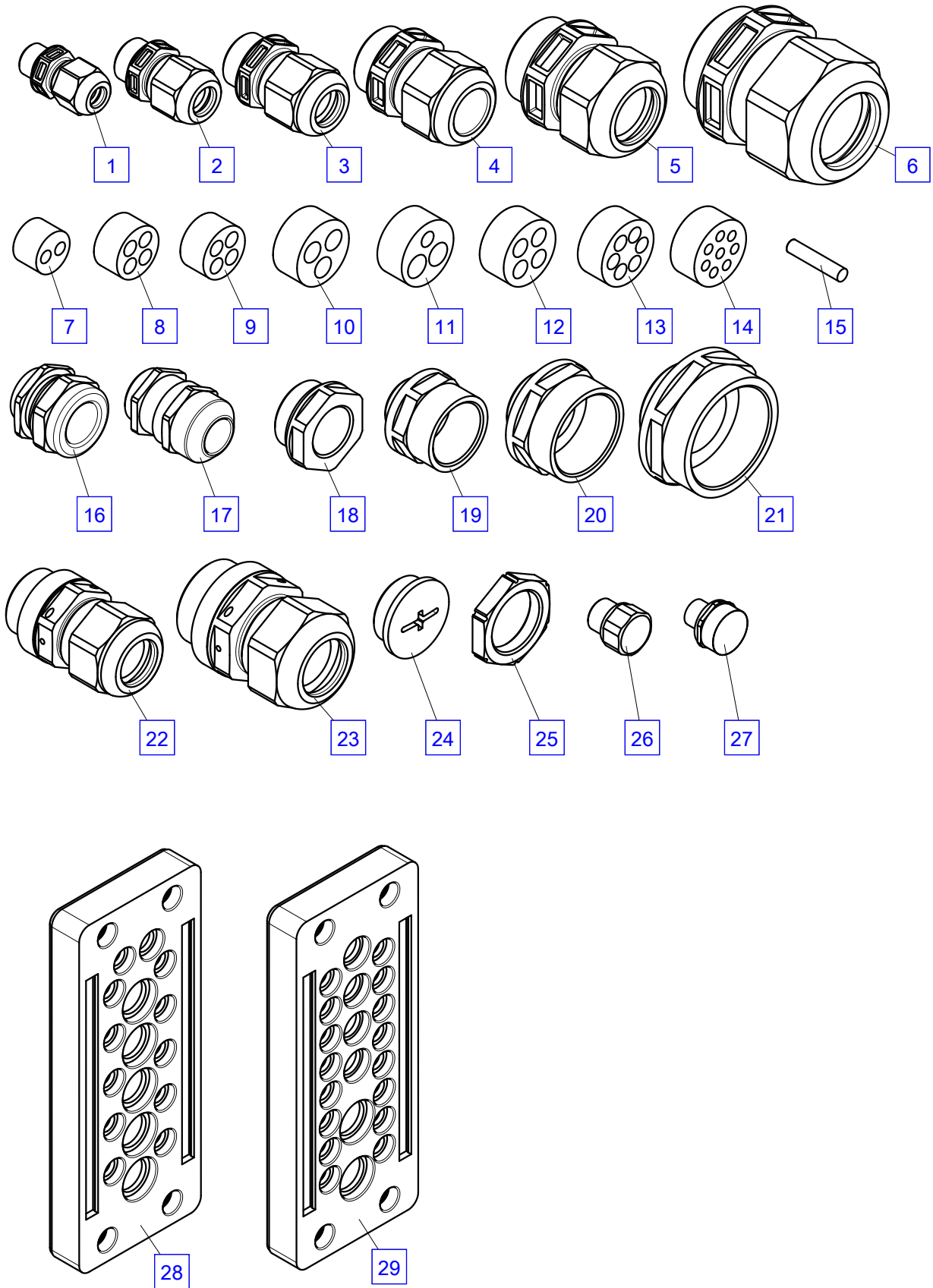
Packing gland

No.	Spare part	Qty.	Description	Dimension
1	EEA3900	1	Fitting	M 12x1.5 (1x3-7 mm)
2	EEA3901	1	Fitting	M 16x1.5 (1x3-7 mm)
3	EEA3902	1	Fitting	M 20x1.5 (1x6-13 mm)
3	EEA3705	1	Fitting	M20x1.5 (1x4-13 mm)
4	EEA3703	1	Fitting	M 25x1.5 (1x7-17 mm)
4	EEA3903	1	Fitting	M 25x1.5 (1x9-17 mm)
4	EEA3709	1	Fitting	M 25x1.5 (3x5-7 mm)
4	EEA3708	1	Fitting	M 25x1.5 (4x4-6 mm)
5	EEA3704	1	Fitting	M 32x1.5 (1x13-21 mm)
5	EEA3707	1	Fitting	M 32x1.5 (2x8-10 mm)
5	EEA3706	1	Fitting	M 32x1.5 (4x5-7 mm)
5	EEA4444	1	Fitting	M 32x1.5 (6x4-6 mm)
5	EEA17810	1	Fitting	M 32x1.5 (1x9-21 mm)
5	EEA16518	1	Fitting	M 32x1.5 (1x19-25 mm)
6	EEA3905	1	Fitting	M 40x1.5 (1x16-28 mm)
6	EEA6380	1	Fitting	M 40x1.5 (6x5-7 mm)
7	EEA6359	1	Cartridge	M 20x1.5 (2x4-5 mm)
7	EEA17870	1	Cartridge	M 20x1.5 (3x3.5 -5.5 mm)
8	EEA16127	1	Cartridge	M 25x1.5 (4x4-6 mm)
8	EEA16354	1	Cartridge	M 25x1.5 (2x4-6 mm)(1x6-8 mm)
9	EEA14367	1	Cartridge	M 32x1.5 (2x8-10 mm)
10	EEA3710	1	Cartridge	M 32x1.5 (3x6-8 mm)
11	EEA16043	1	Cartridge	M 32x1.5 (1x4-6 mm)(2x7-9 mm)
12	EEA14365	1	Cartridge	M 32x1.5 4x5-7 mm
12	EEA16086	1	Cartridge	M 32x1.5 (1x4-6)(2x5-7)(1x6-8)
12	EEA16353	1	Cartridge	M 32x1.5 (3x4-6 mm)(1x6-8 mm)
12	EEA16368	1	Cartridge	M 32x1.5 5x5-7 mm
13	EEA4414	1	Cartridge	M 32x1.5 6x4-6 mm
14	EEA4987	1	Cartridge	M 32x1.5 (8x3-5 mm)
15	EEA11601	1	Pin	D=5x25 mm
15	EEA11602	1	Pin	D=6x25 mm
15	EEA11603	1	Pin	D=7x25 mm
15	EEA11605	1	Pin	D=9x20 mm
15	EEA11604	1	Pin	D=8x20 mm
16	EEA15644	1	Fitting Messing	M 20x1.5 (1x14-16 mm)
17	EEA15993	1	Fitting Messing	M 20x1.5 (1x6-13 mm)
18	EEA3923	1	Reduction	M 16x1.5 - M 12x1.5
18	EEA3924	1	Reduction	M 20x1.5 - M 16x1.5
18	EEA3726	1	Reduction	M 25x1.5 - M 20x1.5
18	EEA4229	1	Reduction	M 32x1.5 - M 12x1.5
18	EEA4230	1	Reduction	M 32x1.5 - M 16x1.5
18	EEA3925	1	Reduction	M 32x1.5 - M 20x1.5
18	EEA3715	1	Reduction	M 32x1.5 - M 25x1.5
18	EEA3926	1	Reduction	M 40x1.5 - M 32x1.5
18	EEA13773	1	Reduction	M 50x1.5 - M 32x1.5
19	EEA3728	1	Extension	M 20x1.5 - M 25x1.5
20	EEA3716	1	Extension	M 25x1.5 - M 32x1.5
21	EEA3938	1	Extension	M 32x1.5 - M 40x1.5
22	EEA15769	1	Plug for pressure equalizing	M 25 (1x9-17 mm)
23	EEA14388	1	Plug for pressure equalizing	M 32 (1x13-21 mm)
24	EEA3906	1	Blind plug	M 12x1.5
24	EEA3907	1	Blind plug	M 16x1.5
24	EEA3727	1	Blind plug	M 20x1.5
24	EEA3711	1	Blind plug	M 25x1.5
24	EEA3712	1	Blind plug	M 32x1.5
24	EEA3908	1	Blind plug	M 40x1.5
25	EEA3920	1	Counter nut	M 12x1.5
25	EEA3921	1	Counter nut	M 16x1.5
25	EEA3714	1	Counter nut	M20x1.5
25	EEA3713	1	Counter nut	M 25x1.5



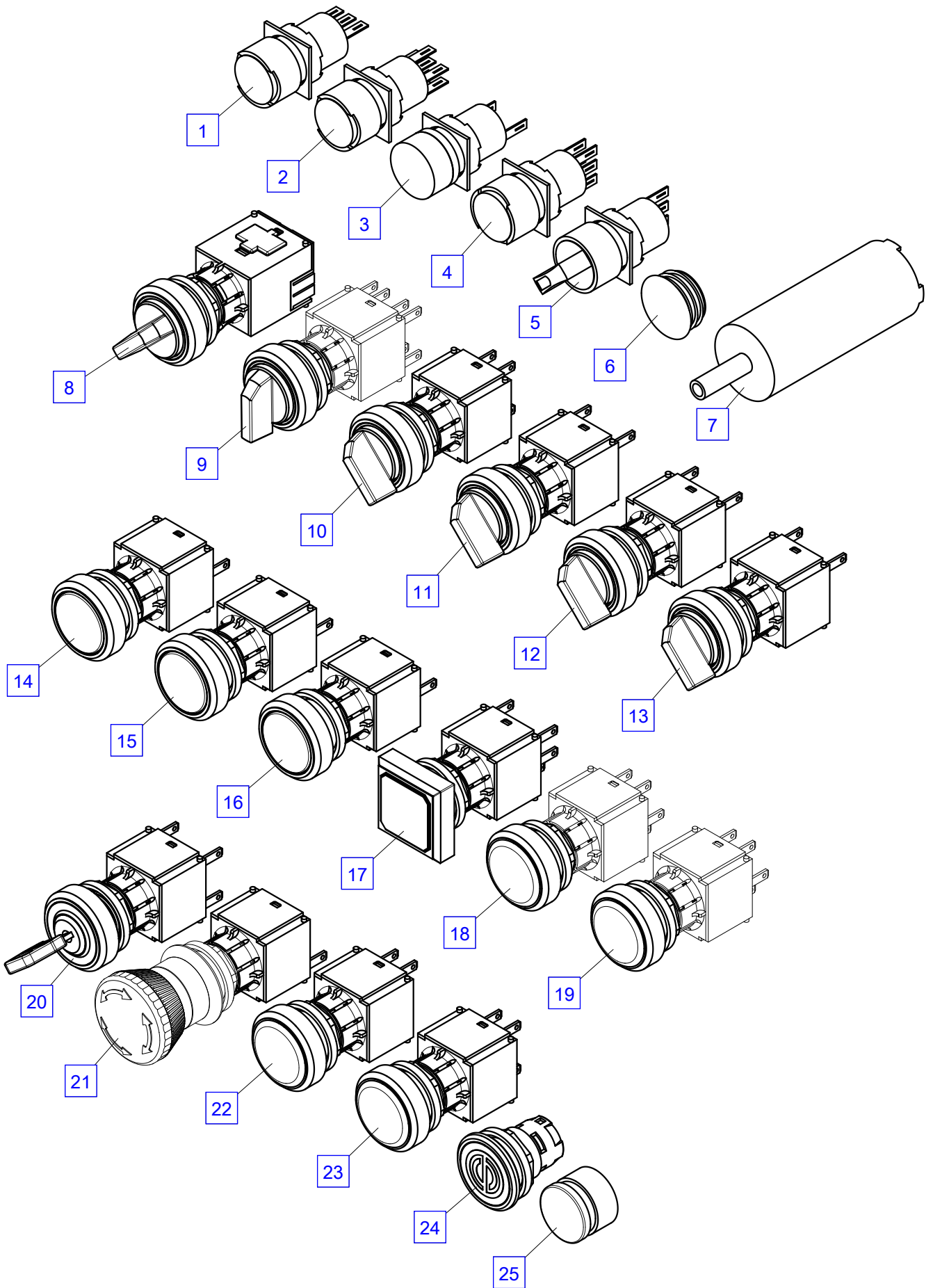
Packing gland

No.	Spare part	Qty.	Description	Dimension
25	EEA3725	1	Counter nut	M 32x1.5
25	EEA3922	1	Counter nut	M 40x1.5
26	EEA6395	1	Ventilation membrane	M 12x1.5
27	EEA3909	1	Breather valve	M 12x1.5
27	EEA4776	1	Breather valve Spring catch	M 12x1.5
27	EEA5192	1	Breather valve Stainless steel	M 12x1,5
28	EEA12590	1	Running of cable	KDP/X 24/19
29	EEA12591	1	Running of cable	KDP/X 24/22-1



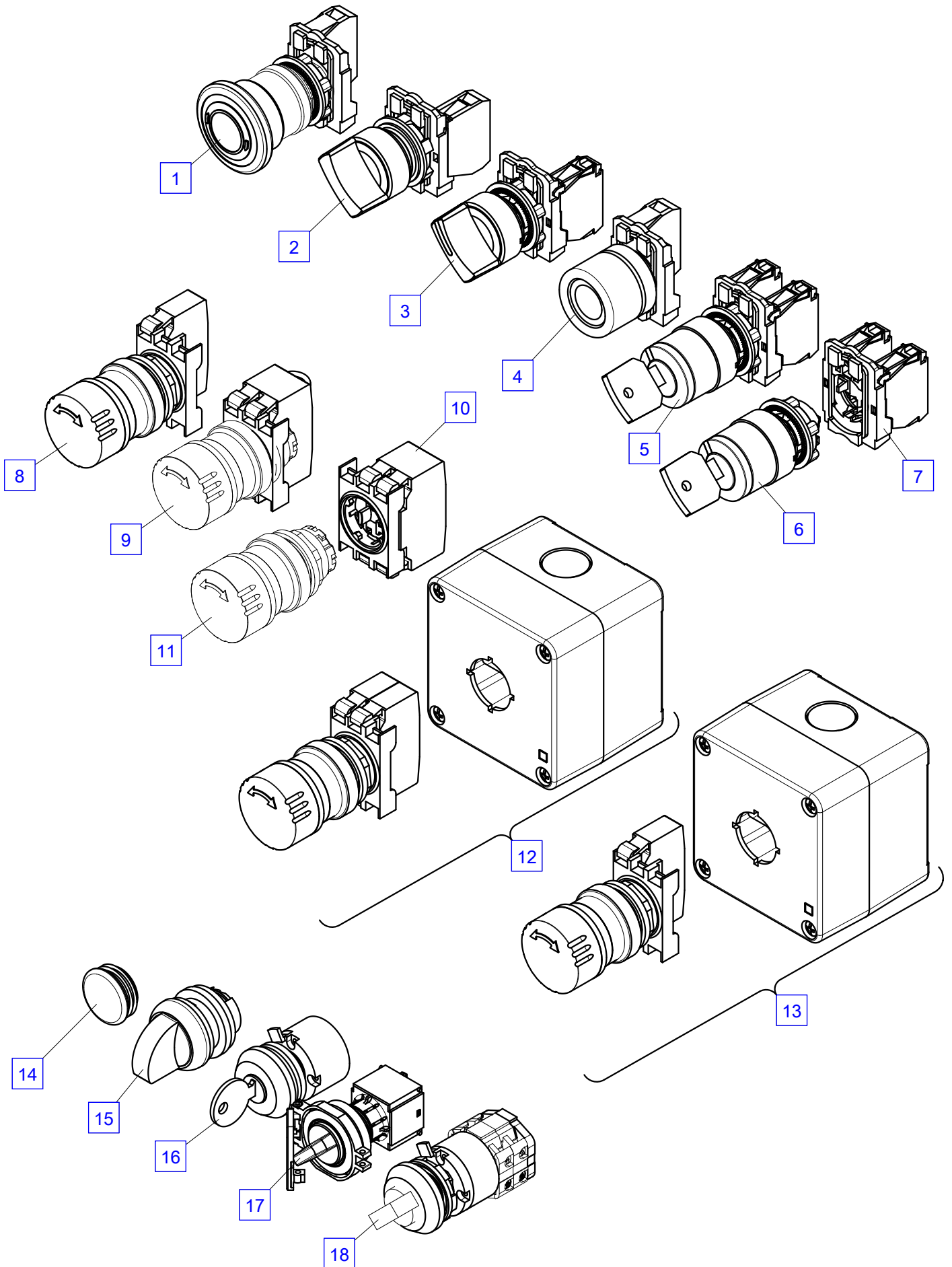
Switch 16 mm

No.	Spare part	Qty.	Description	Dimension
1	EEA4722	1	Push button, black	
2	EEA4723	1	Push button, green	
3	EEA4724	1	Alarm lamp, green	
4	EEA4725	1	Push button, green	
5	EEA4728	1	Switch	
6	EEA4727	1	Blind plug	
7	EEA4729	1	Installation Key	
8	EEA5768	1	Switch (2-positions) (detent) Closer	
9	EEA5769	1	Switch (3-positions) (spring - detent - spring)	
10	EEA5672	1	Switch (2-positions) (detent) 2 Closer	
11	EEA6325	1	Switch (2-positions) Opener	
12	EEA6429	1	Switch (3-positions) (detent - detent - detent)	
13	EEA9791	1	Switch (2-positions) 1 Opener - 1 Closer	
14	EEA5766	1	Alarm lamp, green	
15	EEA9813	1	Alarm lamp, red	
16	EEA13310	1	Alarm lamp, yellow	
17	EEA11657	1	Push button, red 1 Opener - 1 Closer	
18	EEA5795	1	Push button, green (detent) 2 Closer	
19	EEA9834	1	Push button, green 1 Opener - 1 Closer	
20	EEA5340	1	Key switch	
21	EEA6077	1	Emergency cut-off button	
22	EEA5767	1	Push button, green (spring)	
23	EEA13362	1	Push button, black 2 Closer	
24	EEA5765	1	Blind plug	
25	EEA5041	1	Blind plug	



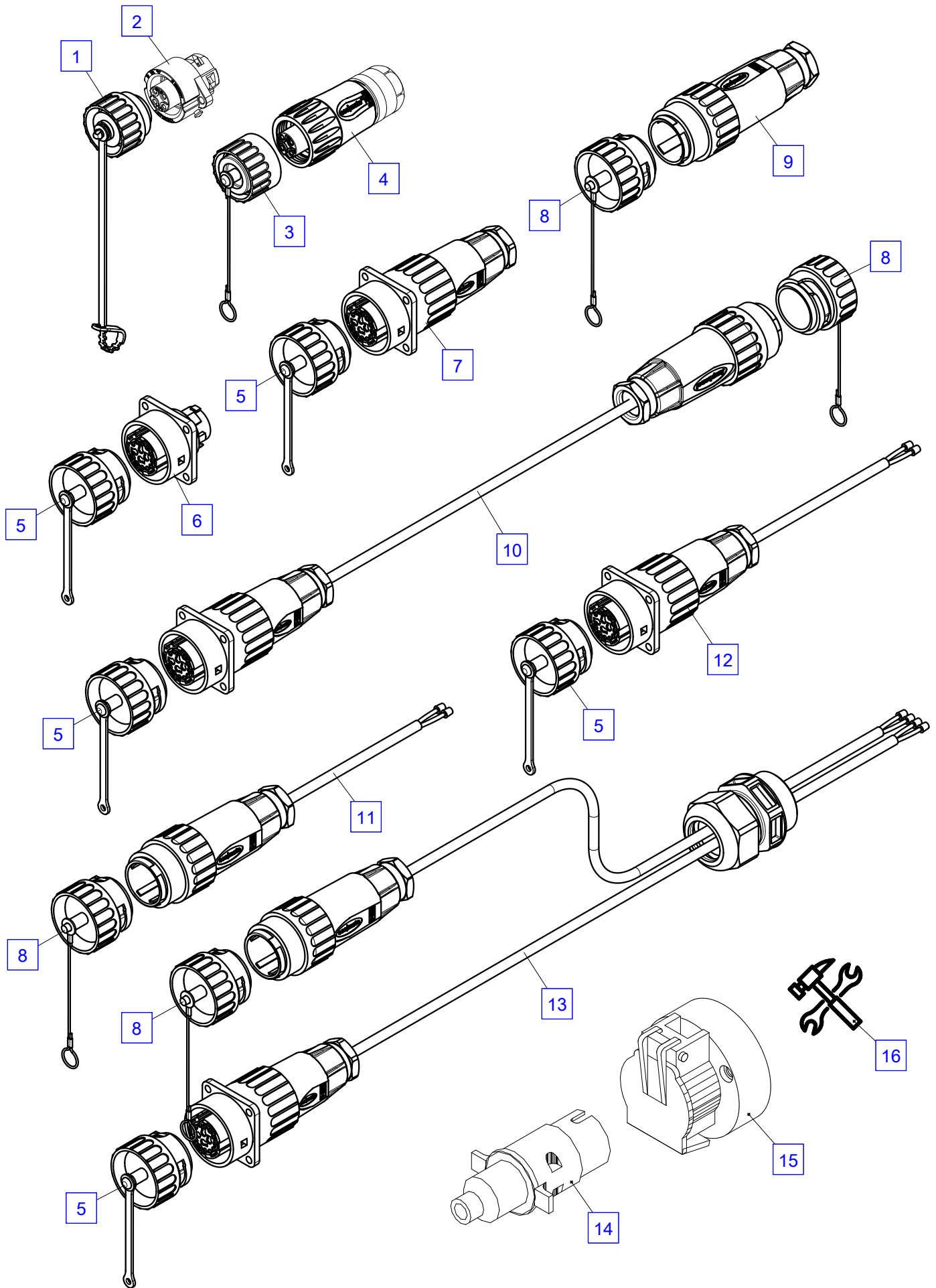
Switch 22 mm

No.	Spare part	Qty.	Description	Dimension
1	EEA2998	1	Emergency cut-off button	
2	EEA3008	1	Switch, black	
3	EEA5671	1	Switch (2-positions) 1 Opener - 1 Closer	
4	EEA2999	1	Button cpl. (normally open)	
5	EEA3000	1	Key switch (2-positions) 1 Opener - 1 Closer	
6	EEA18614	1	Key switch (2-positions) (detent) Opener	
7	EEA18553	1	Switch 2-Opener	
8	EEA6082	1	Emergency cut-off button	
9	EEA12508	1	Emergency cut-off button	
10	EEA9830	1	Emergency cut-off Module	
11	EEA9829	1	Emergency cut-off button	
12	EEA9861	1	Emergency cut-off button (cpl.)	
13	EEA6351	1	Emergency cut-off button (cpl.)	
14	EEA3001	1	Blind plug	
15	EEA4087	1	Switch (3-positions)	
16	EEA3002	1	Key switch (3-positions)	
17	EEA5703	1	Switch (2-positions) (detent) Closer with Sealing cap	
18	EEA4398	1	Switch (3-positions) (detent)Closer	



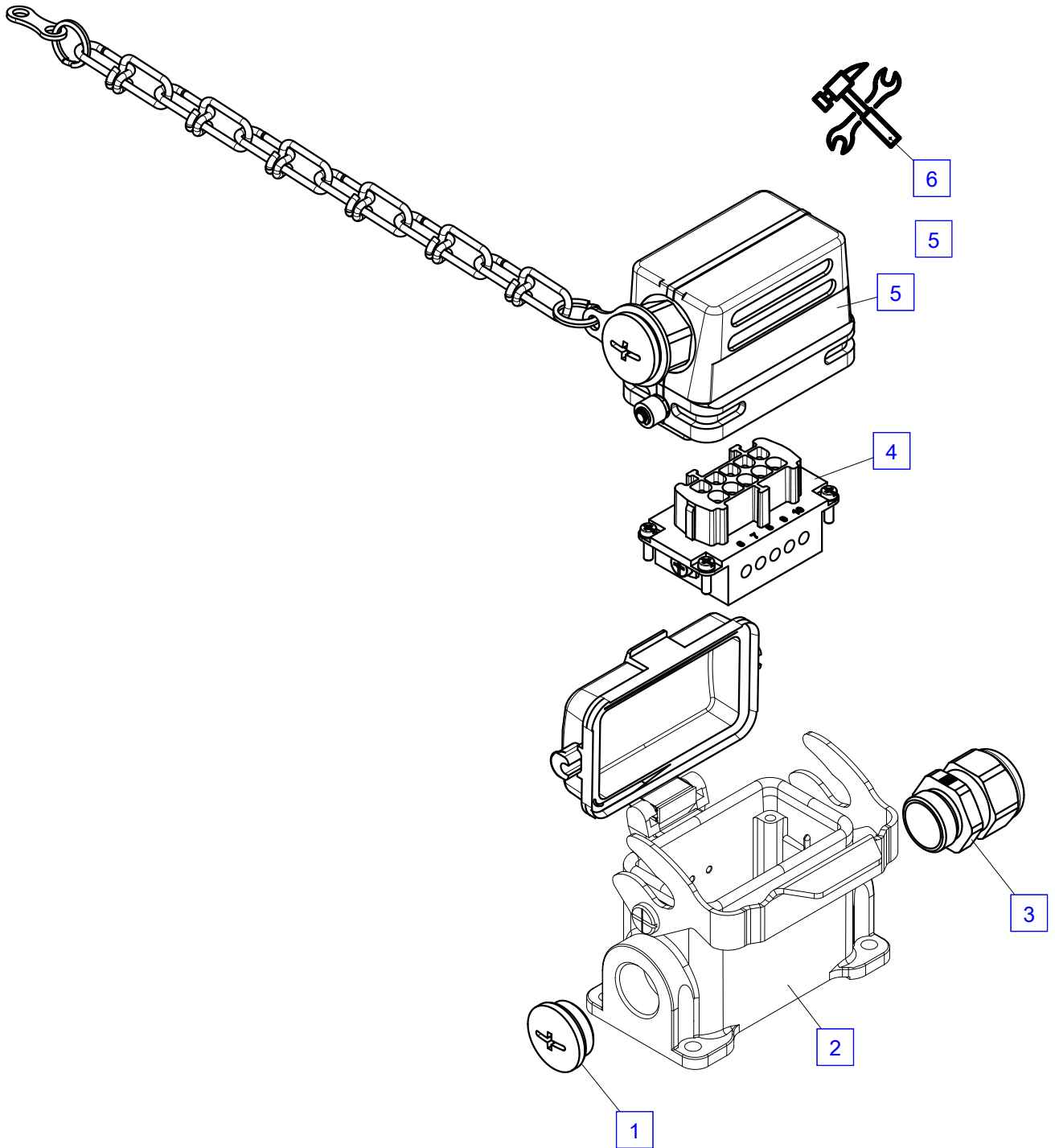
Diagnostic cable + Plug

No.	Spare part	Qty.	Description	Dimension
1	EK 310	1	Protecting cap	C16-1
2	EEA3459	1	Plug box 3+PE	C16-1
2	EEA 487	1	Plug box 6+PE	C16-1
2	EEA 489	1	Plug box 6+PE	C16-1
3	EK 318	1	Protecting cap 3+PE	C16-1
3	EK3476	1	Protecting cap 6+PE	C16-1
4	EEA 397	1	Wire plug 3+PE	C16-1
4	EEA 486	1	Wire plug 6+PE	C16-1
4	EEA 507	1	Wire plug 6+PE	C16-1
5	EK 369	1	Protecting cap	C16-3
6	EEA 599	1	Plug box 14+PE	C16-3
	EEA5498	1	Contact	C16-3 0.5-1.5 mm ²
	EEA5500	1	Contact	C16-3 0.75-1 mm ²
	EEA 602	1	Contact	C16-3
	EEA 605	1	Contact	C16-3
7	EEA4403	1	Plug box 14+PE	
8	EK 370	1	Protecting cap 14+PE	C16-3
9	EEA 600	1	Wire plug 14+PE	C16-3
	EEA5499	1	Contact	C16-3 0.75-1 mm ²
	EEA5497	1	Contact	C16-3 0.5-1.5 mm ²
	EEA5554	1	Contact	C16-3 0.35-0.5 mm ²
10	EEA4198	1	Diagnostic cable	
11	EEA5492	1	Diagnostic cable PT050	
11	EEA16085	1	Connector for diagnostic PT150	
12	EEA5493	1	Diagnostic cable PT050	
12	EEA16094	1	Connector for diagnostic PT150	
13	EEA9703	1	Diagnostic cable PT050/FFST	
14	EEA 028	1	Plug	
15	EEA 029	1	Plug box	
16	EKD 080	1	Set of universal crimping pliers	
16	EKD 081	1	Set of universal crimping contacts	



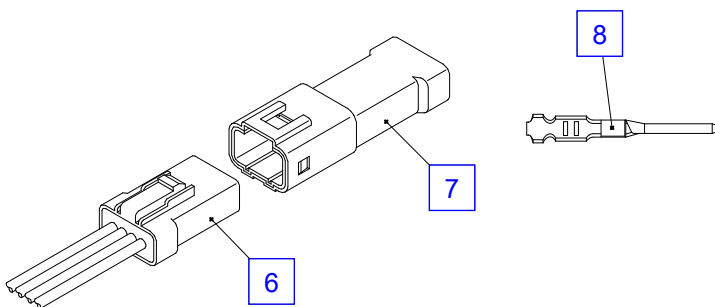
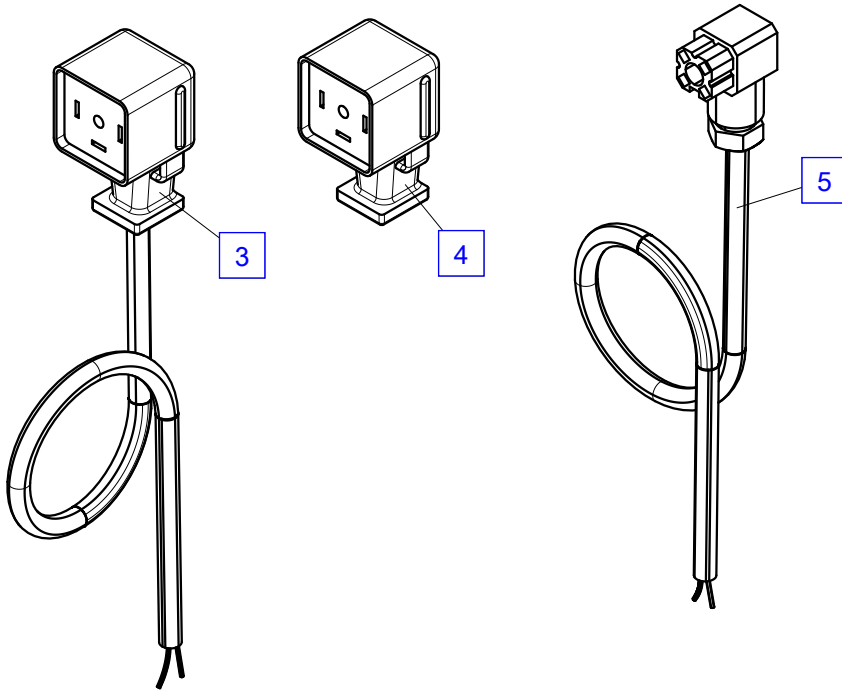
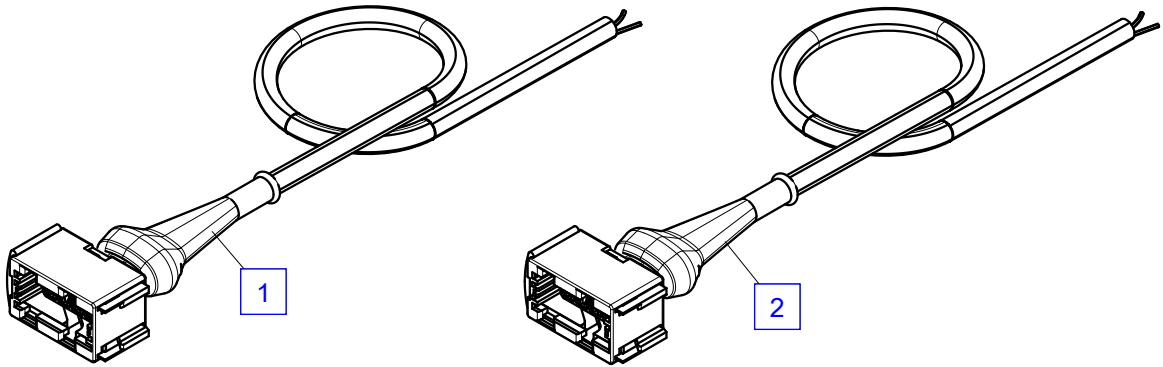
Plug - auxiliary equipment

No.	Spare part	Qty.	Description	Dimension
1	EEA3727	1	Blind plug	M 20x1.5
2	EEA3898	1	Base case (10-pole)	M 20x1.5
3	EEA3902	1	Fitting	M 20x1.5 (1x6-13 mm)
4	EEA1666	1	Female insert (10-pole)	
5	KEB00177A	1	Blank plug (10-pole)	
6	EKD 080	1	Set of universal crimping pliers	
6	EKD 081	1	Set of universal crimping contacts	



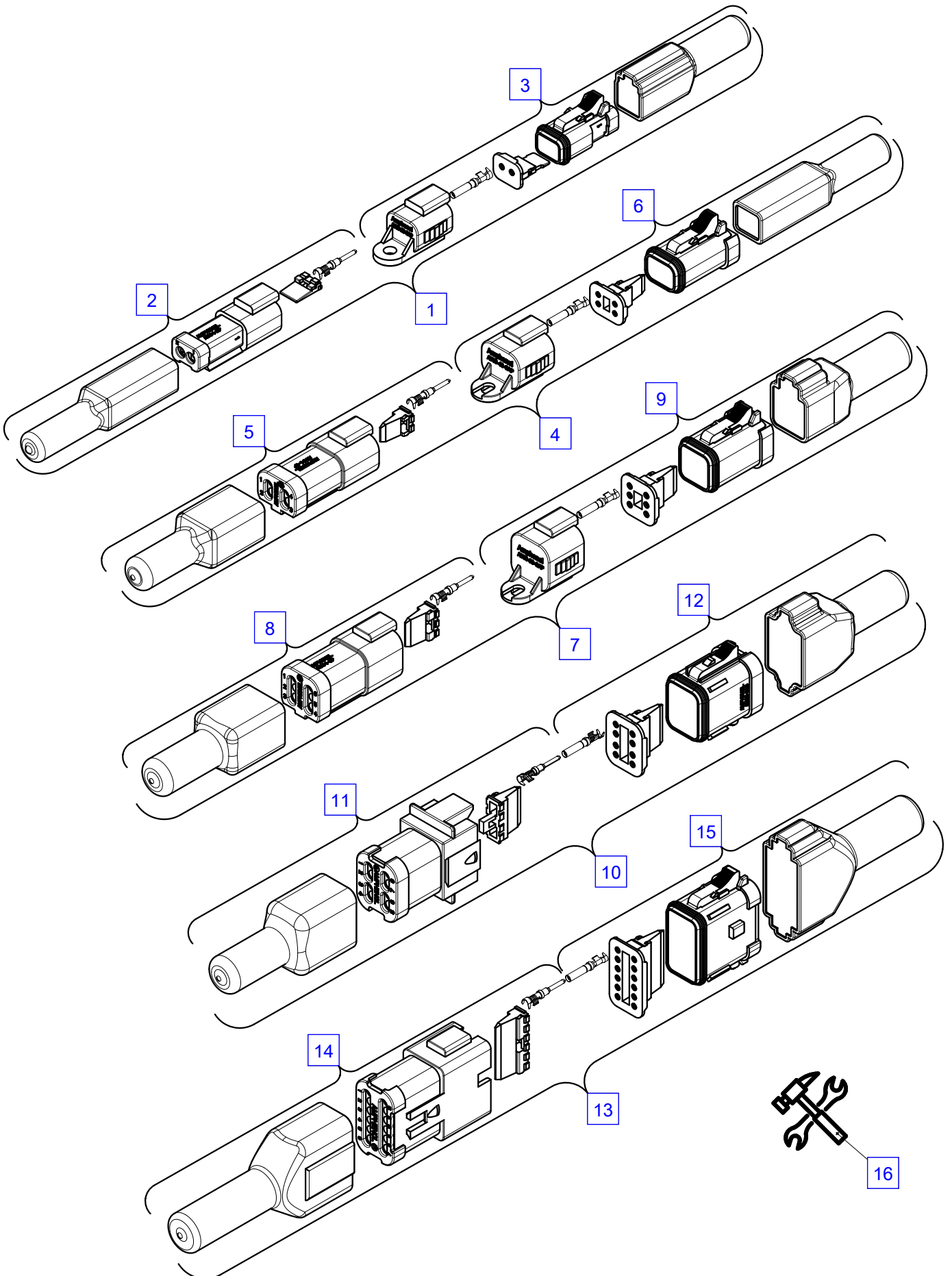
Wire plug - Valve connector

No.	Spare part	Qty.	Description	Dimension
1	EEA2889	1	Plug with cable black (AMP)	l=2500
2	EEA3037	1	Plug with cable grey (AMP)	l=2150
3	EEA 772	1	Plug with cable LED	1,5 m
3	EEA 773	1	Plug with cable LED	3 m
3	EEA2810	1	Plug with cable LED, red	10 m
4	EEA 156	1	Plug	
5	EEA2696	1	Plug with cable	1.5 m
5	EEA9860	1	Plug with cable	4 m
6	EEA5741	1	Plug with cable	1,5 m
6	EEA5742	1	Plug with cable	2,5 m
6	EEA6154	1	Plug with cable	3,5 m
7	EEA5591	1	Plug (3-pole)	
8	EEA5590	1	Contact	



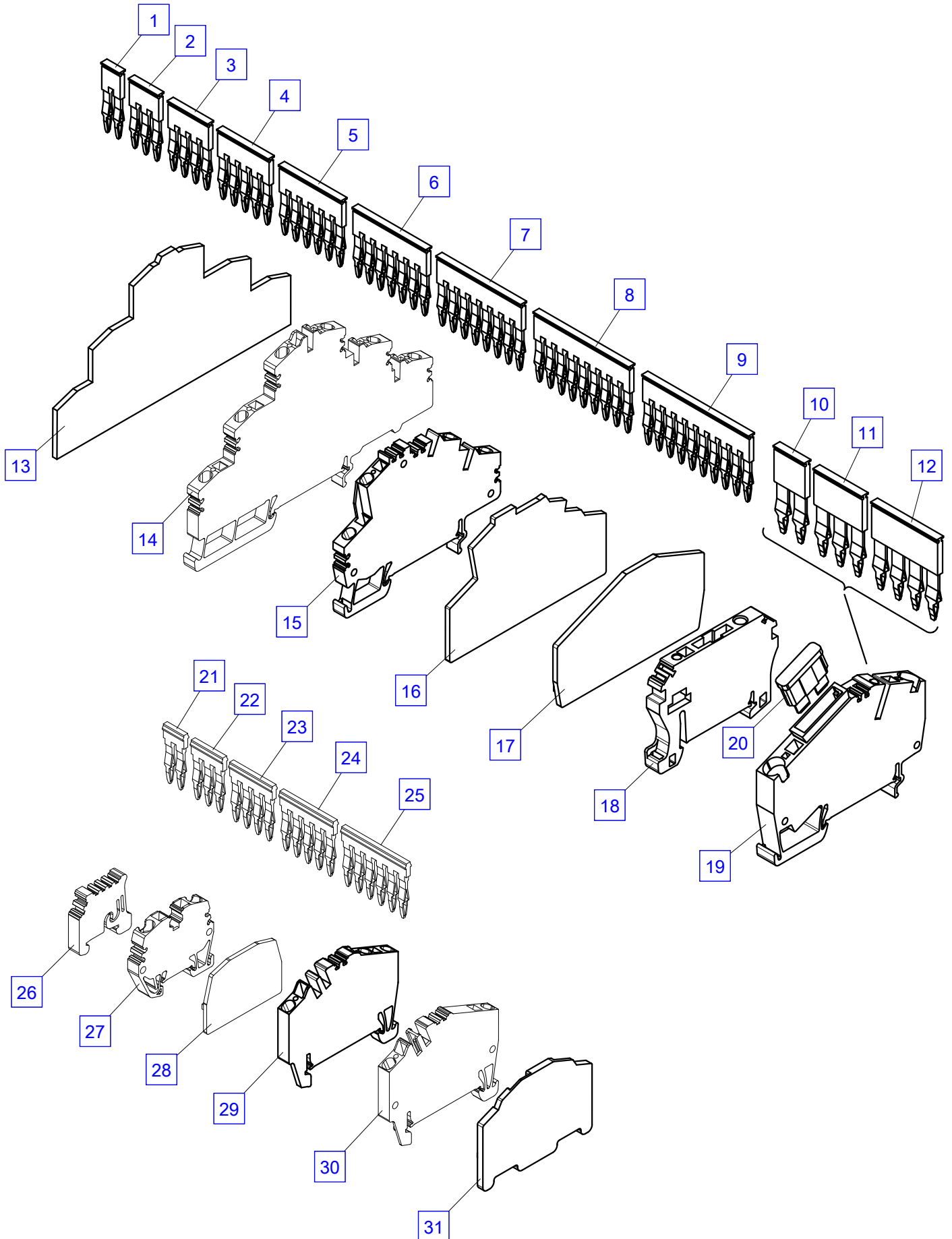
Connector kit

No.	Spare part	Qty.	Description	Dimension
1	EEA15734	1	Connector kit AT (2-pole) black	
2	EEA16549	1	Connector kit AT (2-pole) Pin	
3	EEA16424	1	Connector kit AT (2-pole) Socket	
4	EEA14516	1	Connector kit AT (4-pole) black	
5	EEA16550	1	Connector kit AT (4-pole) Pin	
6	EEA16426	1	Connector kit AT (4-pole) Socket	
7	EEA14517	1	Connector kit AT (6-pole) black	
8	EEA16551	1	Connector kit AT (6-pole) Pin	
9	EEA16427	1	Connector kit AT (6-pole) Socket	
10	EEA15735	1	Connector kit AT (8-pole) black	
11	EEA16552	1	Connector kit AT (8-pole) Pin	
12	EEA16428	1	Connector kit AT (8-pole) Socket	
13	EEA15736	1	Connector kit AT (12-pole) black	
13	EEA16209	1	Connector kit AT (12-pole) green	
13	EEA16210	1	Connector kit AT (12-pole) brown	
14	EEA16553	1	Connector kit AT (12-pole) Pin black	
14	EEA16554	1	Connector kit AT (12-pole) Pin green	
14	EEA16555	1	Connector kit AT (12-pole) Pin brown	
15	EEA16429	1	Connector kit AT (12-pole) Socket black	
15	EEA16430	1	Connector kit AT (12-pole) Socket green	
15	EEA16431	1	Connector kit AT (12-pole) Socket brown	
16	EKD 080	1	Set of universal crimping pliers	
16	EKD 081	1	Set of universal crimping contacts	



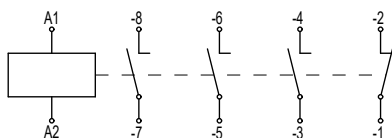
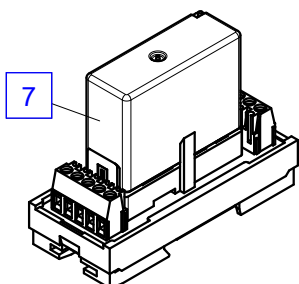
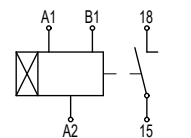
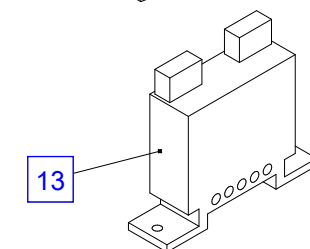
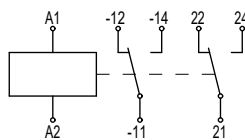
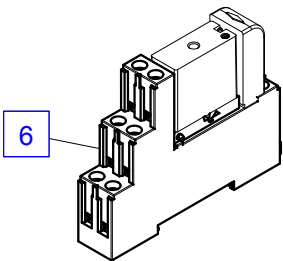
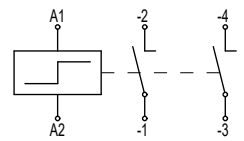
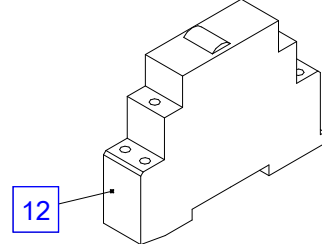
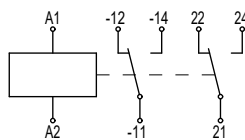
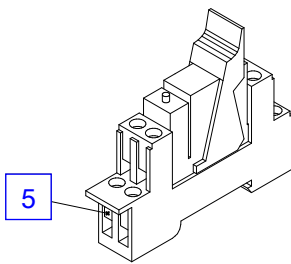
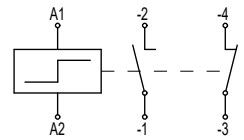
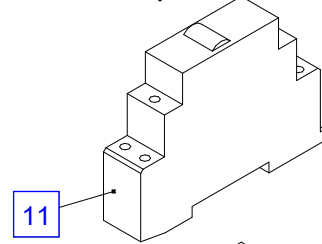
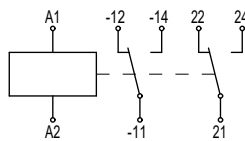
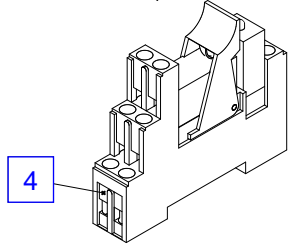
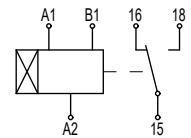
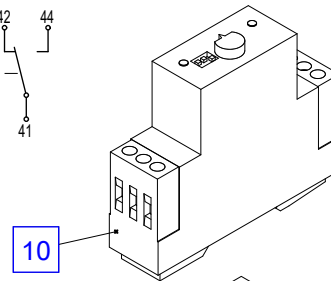
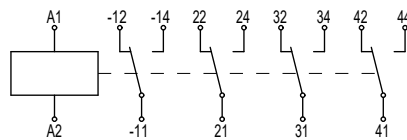
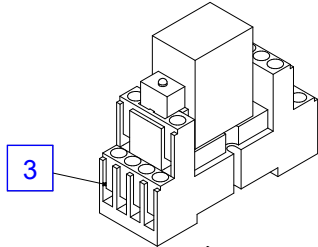
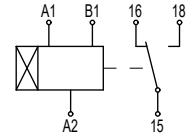
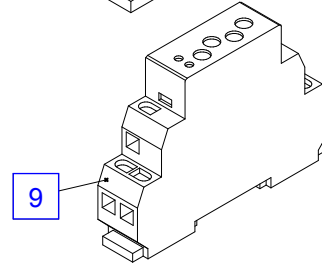
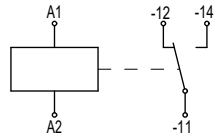
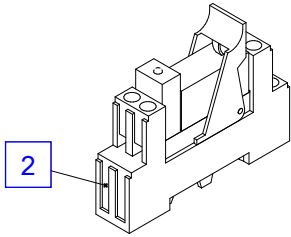
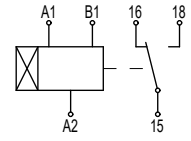
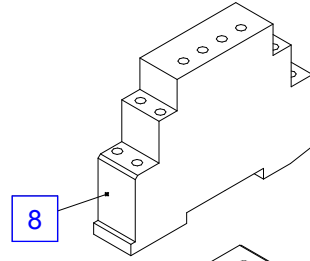
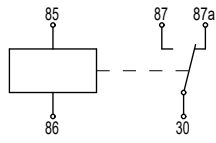
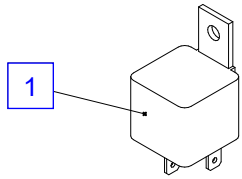
Line-up terminal

No.	Spare part	Qty.	Description	Dimension
1	EEA4552	1	Cross connection (2-sections)	ZDK 27.6 mm
2	EEA4553	1	Cross connection (3-sections)	ZDK 27.6 mm
3	EEA4554	1	Cross connection (4-sections)	ZDK 27.6 mm
4	EEA4555	1	Cross connection (5-sections)	ZDK 27.6 mm
5	EEA4556	1	Cross connection (6-sections)	ZDK 27.6 mm
6	EEA11586	1	Cross connection (7-sections)	ZDK 27.6 mm
7	EEA11587	1	Cross connection (8-sections)	ZDK 27.6 mm
8	EEA11588	1	Cross connection (9-sections)	ZDK 27.6 mm
9	EEA4557	1	Cross connection (10-sections)	ZDK 27.6 mm
10	EEA13845	1	Cross connection (2-sections) Fuse bracket	ZQV 6/2 GE
11	EEA14477	1	Cross connection (3-sections) Fuse bracket	ZQV 6/3 GE
12	EEA18335	1	Cross connection (4-sections) Fuse bracket	ZQV 6/4 GE
13	EEA9803	1	Stop plate	ZDK
14	EEA9802	1	Line-up terminal	ZDK max. 2.5 ²
15	EEA4550	1	Line-up terminal	ZDK max. 2.5 ²
15	EEA4559	1	Line-up terminal LED	ZDK max. 2.5 ²
16	EEA4551	1	Stop plate	ZDK 27.6 mm
17	EEA9789	1	Stop plate	
18	EEA4558	1	End terminal	ZDK
19	EEA6078	1	Fuse bracket	
20	EEA6090	1	Fuse	1 A
20	EEA1803	1	Fuse	3 A
20	EEA4577	1	Fuse	5 A
20	EEA1804	1	Fuse	7.5 A
20	EEA1805	1	Fuse	10 A
20	EEA1806	1	Fuse	15 A
20	EEA1807	1	Fuse	20 A
21	EEA4548	1	Cross connection (2-sections)	ZDK 23 mm
22	EEA11166	1	Cross connection (3-sections)	ZDK 23 mm
23	EEA4932	1	Cross connection (4-sections)	ZDK 23 mm
24	EEA11453	1	Cross connection (5-sections)	ZDK 23 mm
25	EEA11454	1	Cross connection (6-sections)	ZDK 23 mm
26	EEA4547	1	End terminal	ZDK
27	EEA4543	1	Line-up terminal	ZDK max. 2.5 ²
27	EEA4544	1	Line-up terminal blue	ZDK max. 2.5 ²
27	EEA4545	1	Line-up terminal green	ZDK max. 2.5 ²
28	EEA4546	1	Connection plate	ZDK
29	EEA4560	1	Line-up terminal	
30	EEA5230	1	Line-up terminal diode	ZDK max. 2.5 ²
31	EEA4563	1	Stop plate	



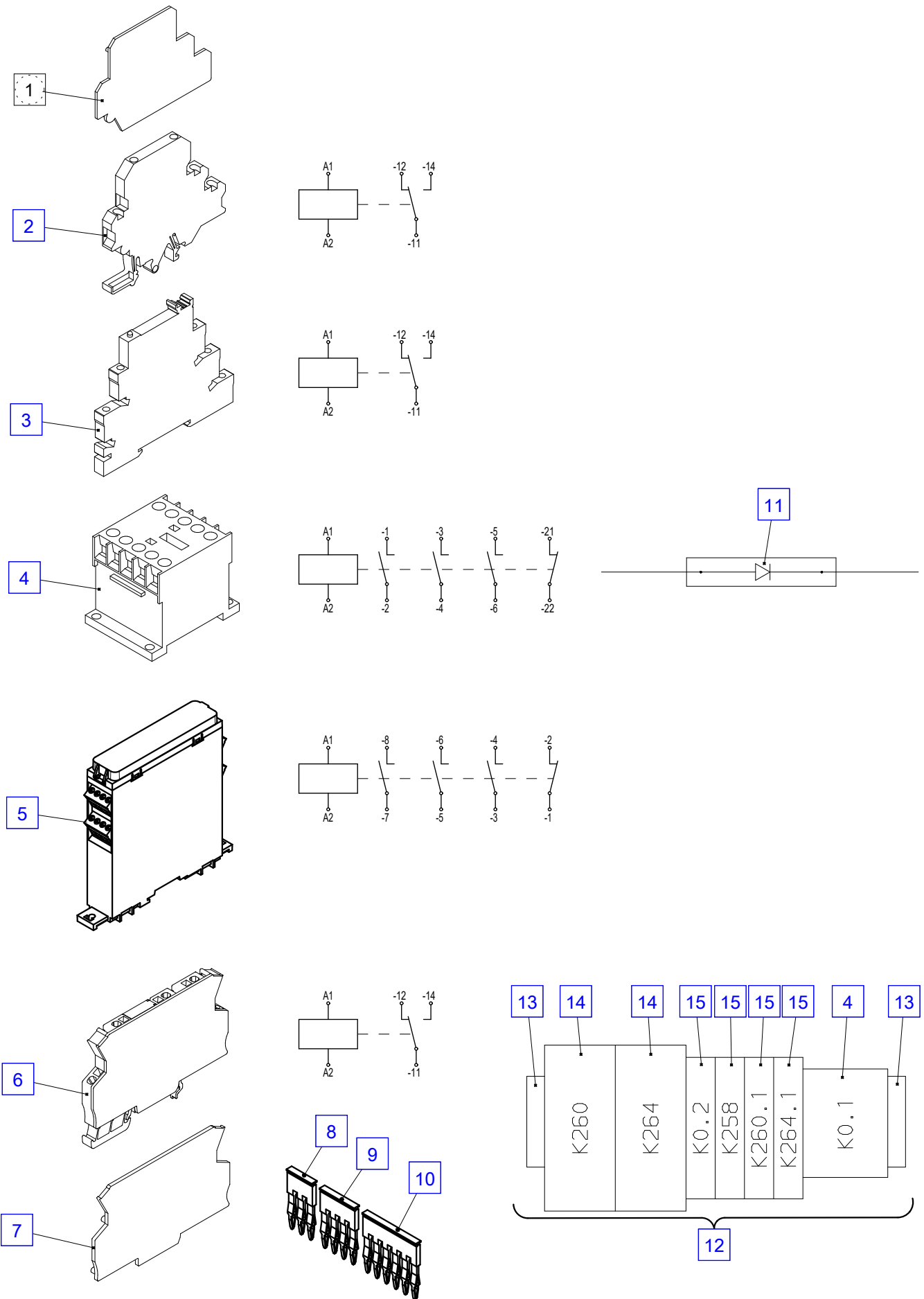
Relay (1)

No.	Spare part	Qty.	Description	Dimension
1	EE 024	1	Relay	24V 10A
2	EE 101	1	Relay	24V 12A
3	EE 102	1	Relay	24V 7A
3	EE 124	1	Relay - gold kontakt	24V 7A
4	EE 127	1	Relay	24V 8A
5	EEA1456	1	Relay	24V 4A
5	EEA4088	1	Relay - gold kontakt	24V 6A
6	EEA6216	1	Relay - projector	24V 10A
7	EEA1425	1	Relay	24V 10A
8	EEA 986	1	Time lag relay	24V 2A
9	EEA4540	1	Time lag relay - clock generator	24-48V 10h
9	EEA5351	1	Time lag relay - radio controlled support	12-240VAC/DC
10	EEA3481	1	Time lag relay - clock generator	12V 10A
11	EEA1812	1	Relay	24V 16A
12	EEA4297	1	Relay	24V 16A
13	EEA5060	1	Time lag relay	8...32Vdc



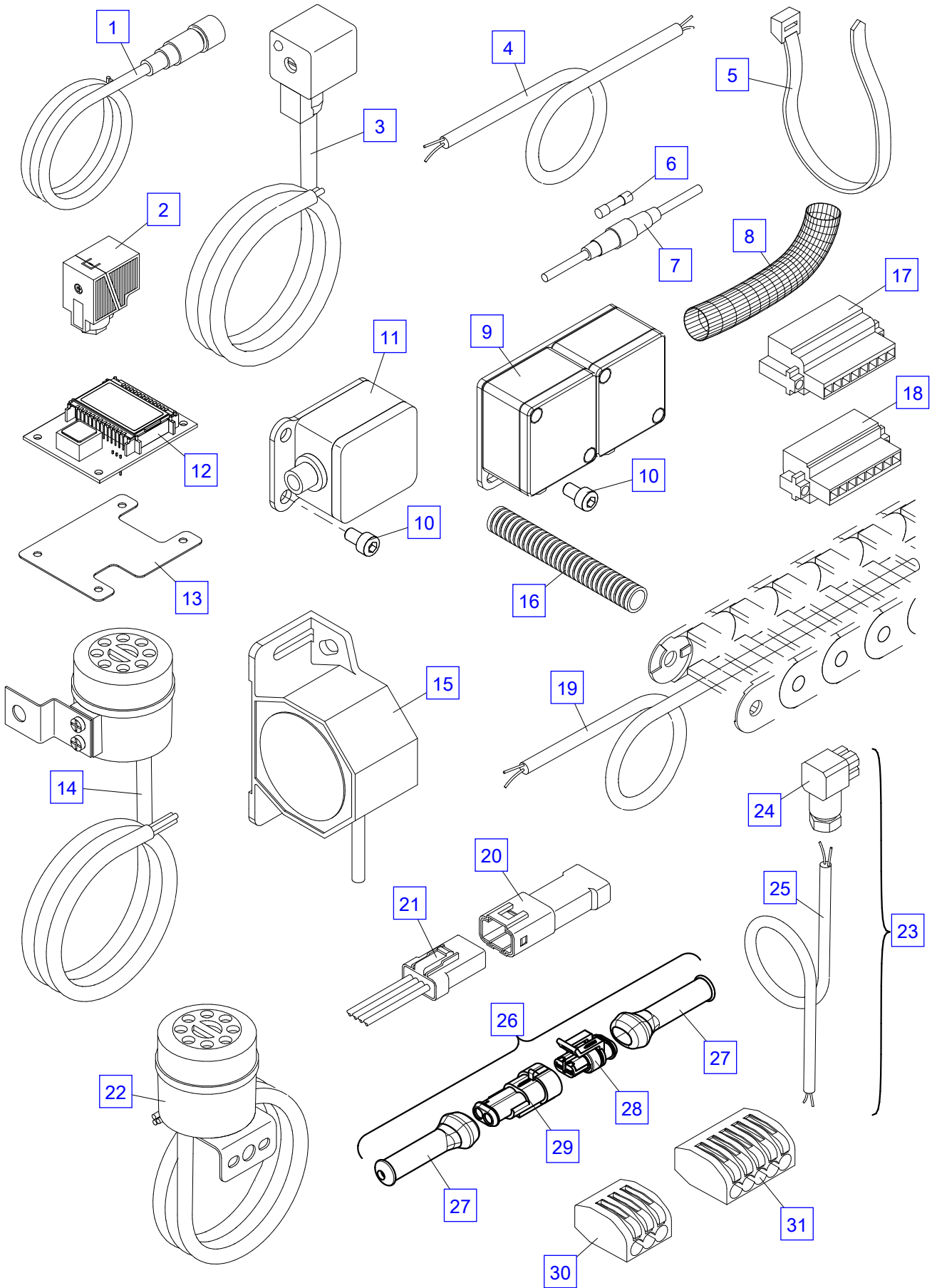
Relay (2)

No.	Spare part	Qty.	Description	Dimension
2	EEA3971	1	Relay	24V 6A
3	EEA4972	1	Relay	24V 6A
4	EEA2342	1	Relay	24V 20A
5	EEA3748	1	Relay	24V 18A
6	EEA5339	1	Relay	24V 6A
7	EEA5319	1	Stop plate	24V
8	EEA11842	1	Cross connection (blue 3-sections)	ZDK 25.7 mm
9	EEA11814	1	Cross connection (blue 4-sections)	ZDK 25.7 mm
10	EEA11843	1	Cross connection (blue 6-sections)	ZDK 25.7 mm
11	EEA16667	1	Kit diode	
12	EEA16093	1	Kit Workman basket	
13	EEA4558	2	End terminal	ZDK
14	EEA1425	2	Relay	24V 10A
15	EEA1456	4	Relay	24V 4A



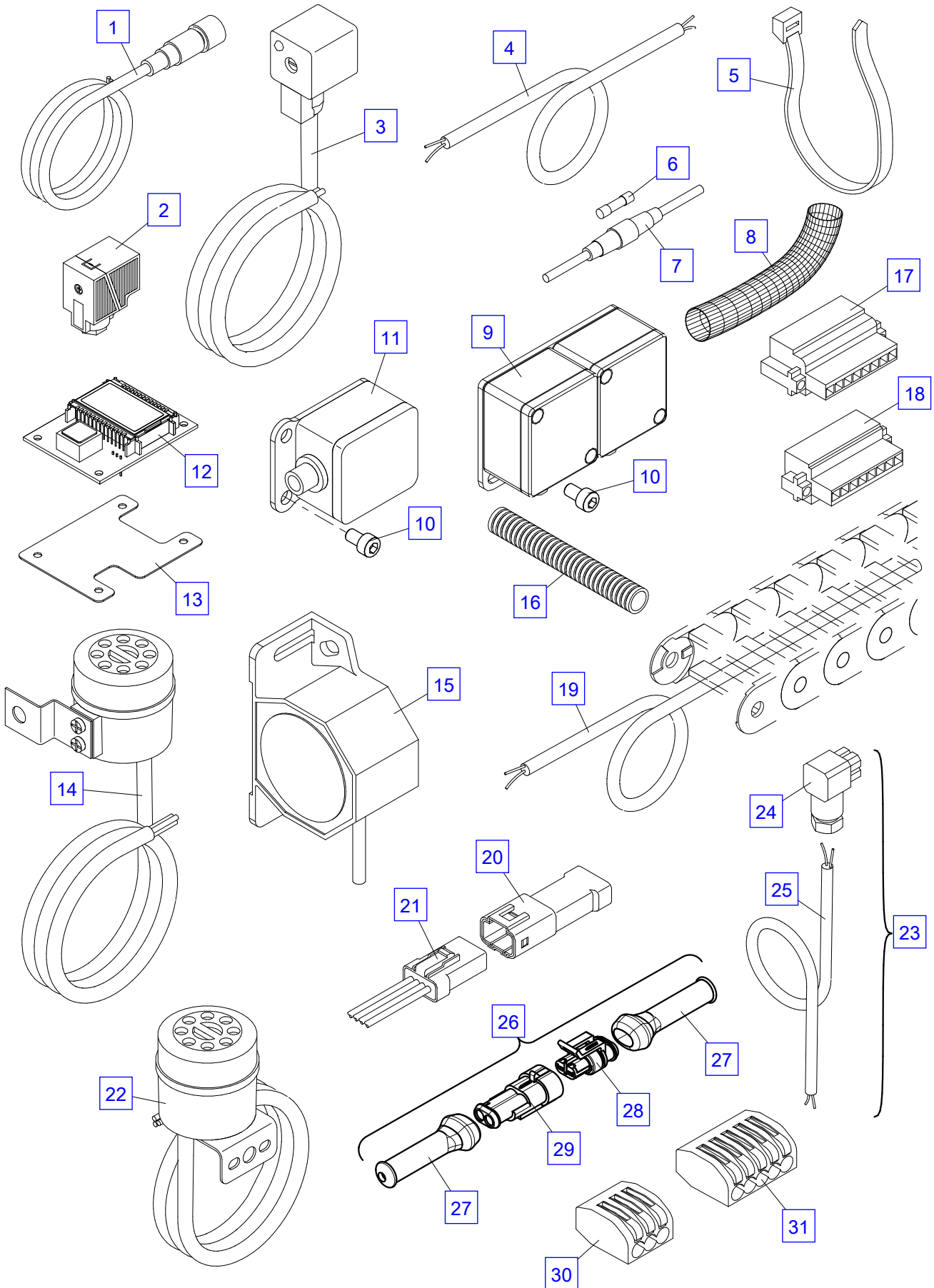
Miscellaneous

No.	Spare part	Qty.	Description	Dimension
1	EEA11926	1	Plug with cable (4-pole)	M 12 - 5 m 2x2 CAN-Bus
1	EEA9818	1	Plug with cable (4-pole)	M 12 - 1 m
1	EEA9985	1	Plug with cable (3-pole)	M 8 - 12 m
1	EEA5382	1	Plug with cable (4-pole)	M 12 - 8 m
1	EEA5383	1	Plug with cable (4-pole)	M 12 - 12 m
1	EEA5639	1	Angle plug with cable (4-pole)	M 12 - 2.6 m
1	EEA13589	1	Connecting cable (3-pole)	M 8 - 8 m
1	EEA9815	1	Plug with cable (4-pole)	M 12 - 11 m
1	EEA9814	1	Plug with cable (4-pole)	M 12 - 3 m
1	EEA11661	1	Angle plug with cable (4-pole)	M 12 - 3 m
1	EEA5384	1	Plug with cable (4-pole)	M 12 - 15 m
1	EEA12216	1	Plug with cable (4-pole)	M 12 - 3 m 2x2 CAN-Bus
1	EEA1150	1	Plug with cable (3-pole)	M 12 - 12 m
1	EEA2574	1	Plug with cable (3-pole)	M 12 - 8 m
1	EEA5075	1	Plug with cable (3-pole)	M 12 - 3 m
1	EEA3105	1	Angle plug with cable (4-pole)	M 12 - 2 m
1	EEA5790	1	Plug with cable (4-pole)	M 12 - 8 m
1	EEA6076	1	Plug with cable (4-pole)	M 12 - 5 m
1	EEA13653	1	Connecting cable (4-pole)	M 12 - 7.5 m
1	EEA14103	1	Plug with cable (4-pole)	M 12 - 2 m
2	EEA 156	1	Plug	
3	EEA 772	1	Plug with cable LED	1,5 m
3	EEA 773	1	Plug with cable LED	3 m
3	EEA2810	1	Plug with cable LED, red	10 m
3	EEA2811	1	Plug with cable	5 m
4	EEA11002	1	Cable (metre goods)	2x1.5 mm ²
4	EEA6213	1	Cable (metre goods)	7x0.5 mm ²
4	EEA5260	1	Cable for drag chain (metro goods)	CAN 25x1,12x0.5,3x0.34 mm"
4	EEA6172	1	Cable (CAN 34-pole) metre goods	17x1 - 14x0.5 - 3x0.34 mm ²
4	EEA5354	1	Cable (metre goods)	18x0.5 mm ²
4	EEA11460	1	Cable (metre goods)	36x1.5 mm ²
4	EEA1755	1	Cable (metre goods)	4x0.34 mm ²
4	EEA5370	1	Cable (metre goods)	33x1.5 mm ²
4	EEA3814	1	Cable (metre goods)	3x1 mm ²
4	EEA5419	1	Cable (metre goods)	2x1.5 mm ²
4	EEA5421	1	Cable (metre goods)	2x2.5 mm ²
4	EEA6169	1	Cable (metre goods)	6x0.75 mm ²
4	EEA4380	1	Cable (metre goods)	2x0.75 mm ²
4	EEA5503	1	Cable (CAN 18-pole) metre goods	15x1 - 3x0.34 mm ²
4	EEA 058	1	Cable (metre goods)	3x0.5 mm ²
4	EEA 169	1	Cable (metre goods)	2x1 mm ²
4	EEA 170	1	Cable (metre goods)	2x1.5 mm ²
4	EEA 192	1	Cable (metre goods)	7x1.5 mm ²
4	EEA2478	1	Cable (metre goods)	2x2.5 mm ²
4	EEA4377	1	Cable (metre goods)	10x1.5 mm ²
4	EEA4376	1	Cable (metre goods)	5x2.5 mm ²
4	EEA4378	1	Cable (metre goods)	12x0.75 mm ²
4	EEA4379	1	Cable (metre goods)	4x0.75 mm ²
4	EEA5422	1	Cable	2x2.5 mm ² x 2220mm
4	EEA13157	1	Cable (CAN 2x 41-pole) metre goods	25x1 - 12x0.5 - 4x0.34 mm ²
5	EK 155	1	Cable tie	l=102x2.5
5	EK 165	1	Cable tie	l=215x4.8
6	EEA6073	1	Fuse	1A
7	EEA5764	1	Fuse bracket	
8	EH 620	1	Protection hose	NW 70x1000
8	EH 641	1	Protection hose	NW 102x2000
8	EH 822	1	Protection hose	NW 50x500
8	EH 878	1	Protection hose	NW 102x1000
9	EEA6165	1	Pendulum, cpl.	M 12
10	ES 414	2	Screw	M6x10 ISO4762 - 8.8
11	EEA15298	1	Pendulum (0-180°)	M 12



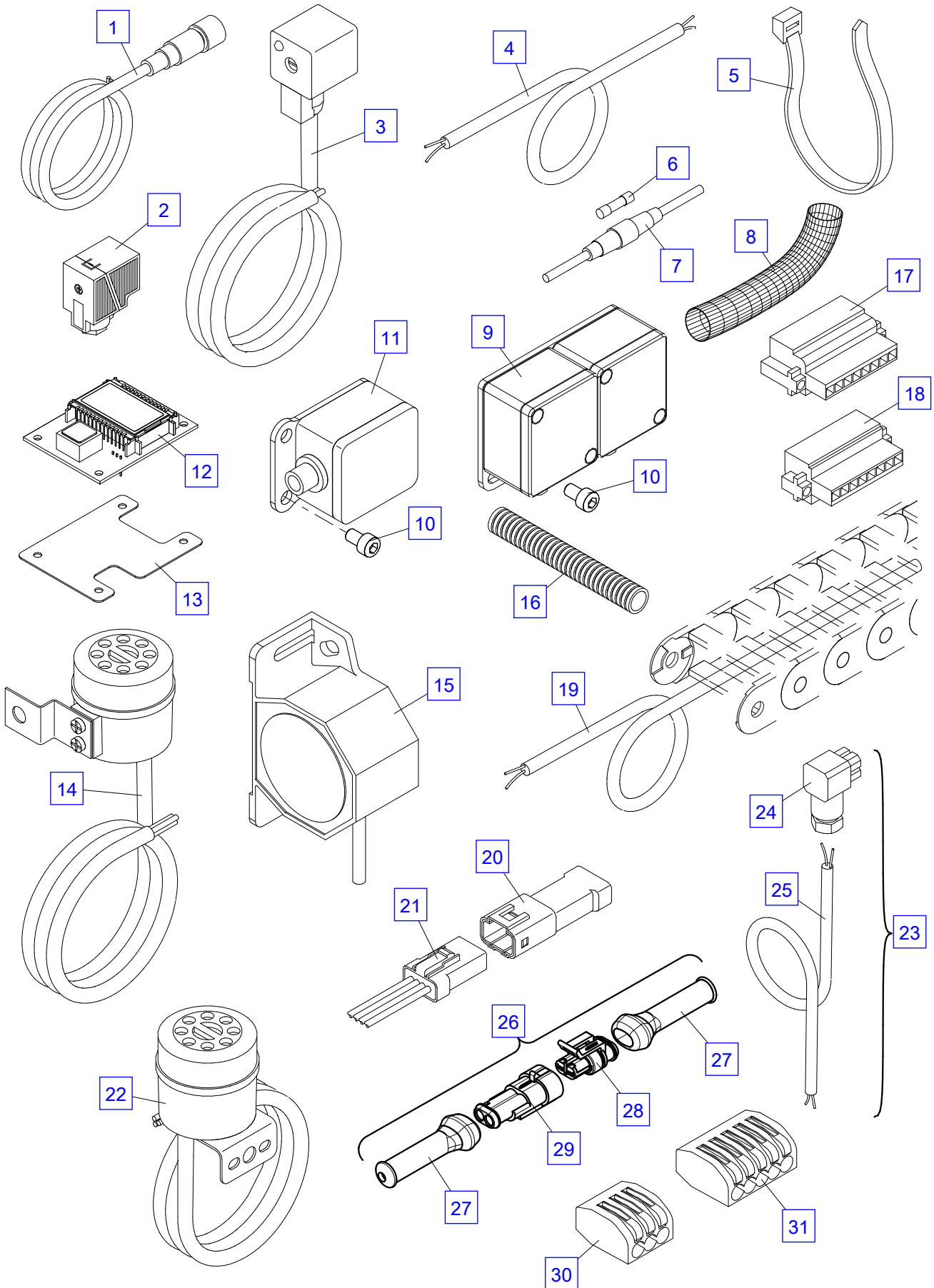
Miscellaneous

No.	Spare part	Qty.	Description	Dimension
12	EEA3527	1	Hour meter	
13	HT1041	1	Cover plate	
14	EEA 080	1	Horn (Alternating tone alert signal)	12/24 V
14	EEA2729	1	Horn	12/24 VDC
15	EEA6194	1	Horn	12/24 VDC (H6)
15	EEA2753	1	Horn (EN12999)	12 m (CE)
16	EZ1293	1	Protection hose (metre goods)	D 9.8/13 mm
16	EZ1266	1	Protection hose (metre goods)	D 12.2/15.7 mm
16	EZ1267	1	Protection hose (metre goods)	D 16.6/21.2 mm
16	EZ2837	1	Protection hose (metre goods)	D 6.6/10 mm
17	EEA5034	1	Female strip (4-sections)	Typ BLZF
17	EEA4948	1	Female strip (5-sections)	Typ BLZF
17	EEA4947	1	Female strip (9-sections)	Typ BLZF
17	EEA4597	1	Female strip (24-sections)	Typ BLZF
17	EEA4596	1	Female strip (12-sections)	Typ BLZF
17	EEA4595	1	Female strip (10-sections)	Typ BLZF
17	EEA4594	1	Female strip (8-sections)	Typ BLZF
17	EEA4593	1	Female strip (6-sections)	Typ BLZF
17	EEA4592	1	Female strip (3-sections)	Typ BLZF
17	EEA4591	1	Female strip (2-sections)	Typ BLZF
17	EEA5705	1	Wire plug (15-sections)	Typ BLZF
18	EEA3087	1	Wire plug (6-sections)	Typ BL
18	EEA2603	1	Wire plug (2-sections)	Typ BL
18	EEA1720	1	Wire plug (4-sections)	Typ BL
18	EEA2604	1	Wire plug (8-sections)	Typ BL
18	EEA2605	1	Female strip (10-sections)	Typ BL
18	EEA2606	1	Wire plug (12-sections)	Typ BL
18	EEA2698	1	Wire plug (3-sections)	Typ BL
18	EEA2607	1	Wire plug (24-sections)	Typ BL
19	EEA 026	1	Cable for drag chain (metro goods)	5x1 mm ²
19	EEA2141	1	Cable for drag chain (metro goods)	5x1 mm ²
19	EEA 791	1	Cable for drag chain (metro goods)	18x1 mm ²
19	EEA5752	1	Cable for drag chain (metro goods)	22x1 mm ²
19	EEA1705	1	Cable for drag chain (metro goods)	5x1.5 mm ²
19	EEA1268	1	Cable for drag chain (metro goods)	12x1.5 mm ²
19	EEA1853	1	Cable for drag chain (metro goods)	18x1.5 mm ²
19	EEA6381	1	Cable for drag chain (metro goods)	25x1.5 mm ²
19	EEA5505	1	Cable for drag chain (metro goods)	4x2.5 + 5x1 mm ²
19	EEA1704	1	Cable for drag chain (metro goods)	5x2.5 mm ²
20	EEA5591	1	Plug (3-pole)	
21	EEA5741	1	Plug with cable	1,5 m
21	EEA5742	1	Plug with cable	2,5 m
21	EEA6154	1	Plug with cable	3,5 m
22	EEA6192	1	Horn (Alternating tone alert signal)	12/24 VDC
22	EEA6193	1	Horn (Continuous tone)	12/24 VDC (H5)
23	EEA2696	1	Plug with cable	1.5 m
23	EEA3399	1	Plug with cable	3 m
23	EEA9860	1	Plug with cable	4 m
24	EEA1718	1	Wire plug	
25	EEA1755	0	Cable (metre goods)	4x0.34 mm ²
26	EEA5507	1	Connector kit	AMP
27	EEA6202	2	Rubber grummet	
28	EEA6185	1	Bush insert (2-pole)	MIC
	EEA6184	2	Contact	MIC 1.0-1.5 mm ²
	EEA6203	2	Seal	
	EEA6202	1	Rubber grummet	
29	EEA6186	1	Plug case (2-pole)	MIC



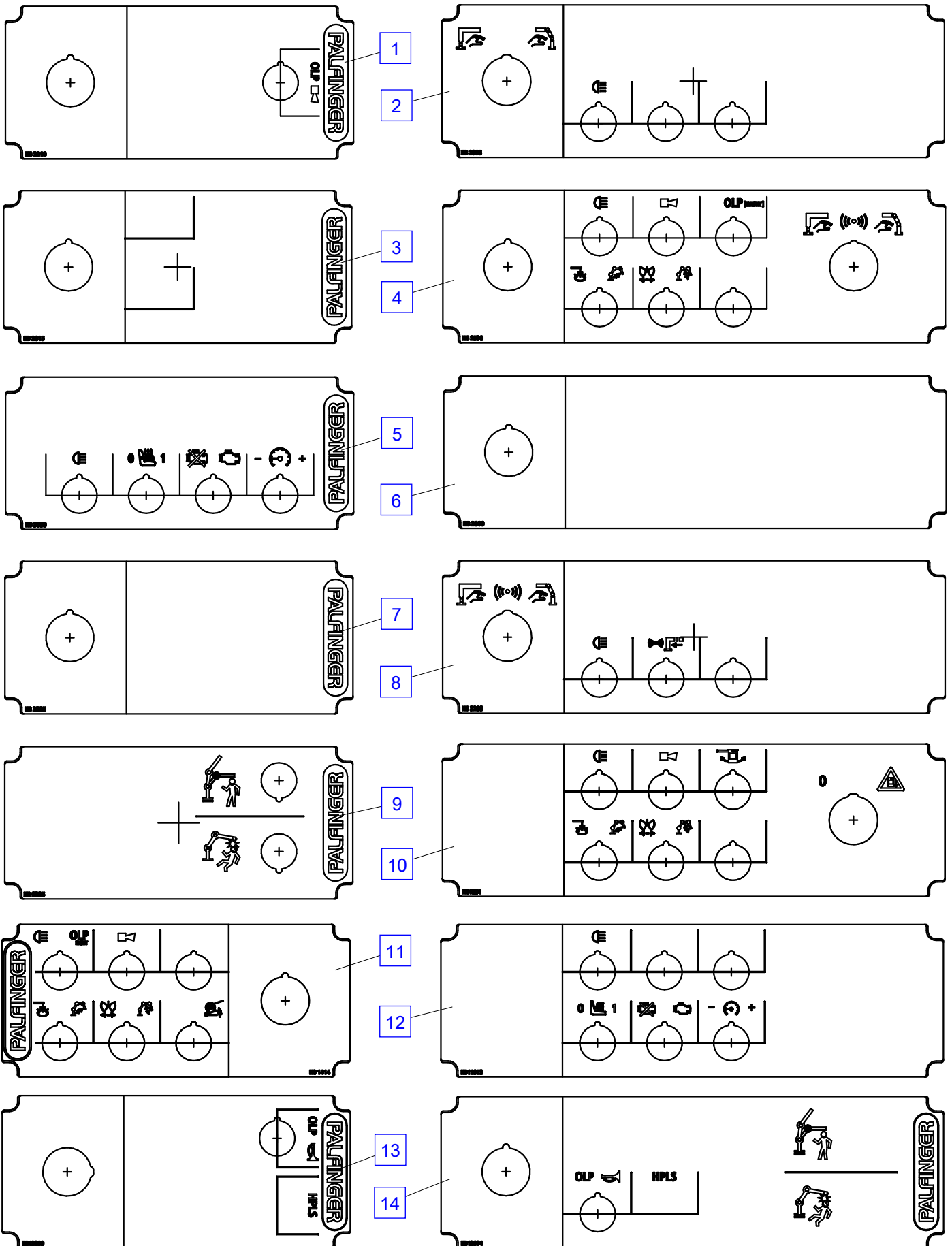
Miscellaneous

No.	Spare part	Qty.	Description	Dimension
	EEA6183	2	Contact	MIC 1.0-1.5 mm ²
	EEA6203	2	Seal	
	EEA6202	1	Rubber grummet	
30	EEA5625	1	Connecting piece	
31	EEA5626	1	Connecting piece	



Decals (1)

No.	Spare part	Qty.	Description	Dimension
1	EB2810	1	Symbol sign	
2	EB2305	1	Symbol sign	
3	EB2815	1	Symbol sign	
4	EB2530	1	Symbol sign	
5	EB3059	1	Symbol sign	
6	EB2809	1	Symbol sign	
7	EB3205	1	Symbol sign	
8	EB3203	1	Symbol sign	
9	EB9325	1	Symbol sign	
10	EB1551	1	Symbol sign	
11	EB1414	1	Symbol sign	
12	EB11973	1	Symbol sign	
13	EB13399	1	Symbol sign	
14	EB12604	1	Symbol sign	



Decals (2)

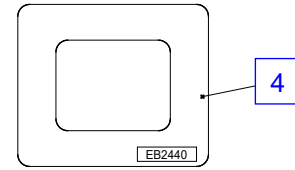
No.	Spare part	Qty.	Description	Dimension
1	EB1412	1	Symbol sign	
2	EB13608	1	Symbol sign	
3	EB13929	1	Symbol sign	
4	EB2440	1	Decal	
5	EB2463	1	Decal	
6	EB4492	1	Decal	80x80 mm
7	EB1236	1	Symbol sign	
8	EB4479	1	Symbol sign	
9	EB5803	1	Symbol sign	
10	EB9612	1	Symbol sign	

connector	comment	symbol	fuse 12V	fuse 24V
800	power supply crane -		15A	7,5A
801	power supply crane +			
870	working light 1 -		15A	15A
871	working light 1 +			
880	working light 2 -		15A	15A
881	working light 2 +			
855	oil cooler -		30A	15A
856	oil cooler +			
810	workmen basket -		30A	
811	workmen basket +			
812	workmen basket +			
850	permanent -		1A	1A
851	permanent +			
757	signal ABSTW			
241	signal TRAN1			
401	signal TRAN2			
K50	motor start			
K51	motor stop			
K52	free			
K57	rpm			
K61	free			
K63	free			

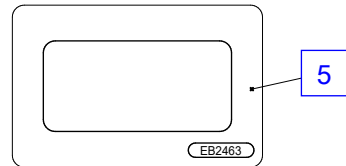
1

designator	signal	symbol	fuse 12V	fuse 24V
800	power supply crane -		15A	7,5A
801	power supply crane +			
870	working light 1 -		15A	15A
871	working light 1 +			
880	working light 2 -		15A	15A
881	working light 2 +			
855	oil cooler -		30A	15A
856	oil cooler +			
810	workmen basket -		2x15A	
811	workmen basket +			
812	workmen basket +			
800	permanent -		3A	3A
851	permanent +			
790	parking brake			
792	acknowledgement button			
794	warning audible			
796	warning visible			
K50	motor start		417	HS1
K51	motor stop		427	HS2 / FPS
K52	free		931	FPI PAL150
K57	rpm			
K60	free			
K61	free			
K63	free			

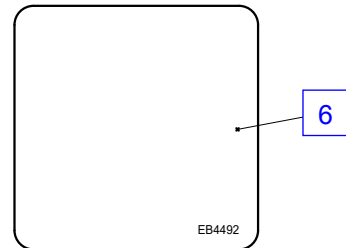
2



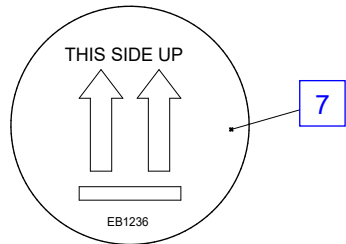
4



5



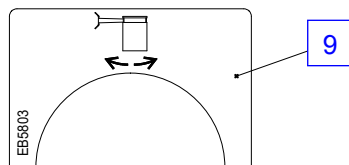
6



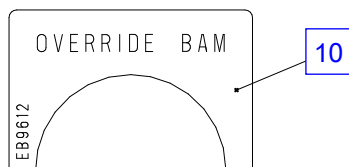
7

designator	signal	symbol	fuse 12V	fuse 24V
800	power supply crane -		15A	7,5A
801	power supply crane +			
870	working light 1 -		15A	15A
871	working light 1 +			
880	working light 2 -		15A	15A
881	working light 2 +			
855	oil cooler 1 -		30A	15A
856	oil cooler 1 +			
865	oil cooler 2 -		30A	15A
866	oil cooler 2 +			
810	workmen basket -		2x15A	
811	workmen basket +			
812	workmen basket +			
850	permanent -		1A	1A
851	permanent +			
757	signal ABSTW			
241	signal TRAN1			
401	signal TRAN2			
K50	motor start		417	HS1
K51	motor stop		427	HS2 / FPS
K52	free		931	FPI PAL150
K57	rpm		631	FPI PAL50
K60	free			
K61	free			
K63	free			

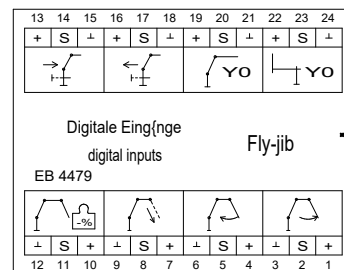
3



9



10



8

