

Spare Parts Catalogue

PK 20001 K

(S304-EK-A)

Valid for serial number

100169492

First Edition: 08/2011

Edition: 04/2024

EN

PALFINGER AG
Lamprechtshausener Bundesstraße 8
5101 Bergheim / Austria
www.palfinger.com

Preface

This catalogue of spare parts is based on latest stages of product design and development.

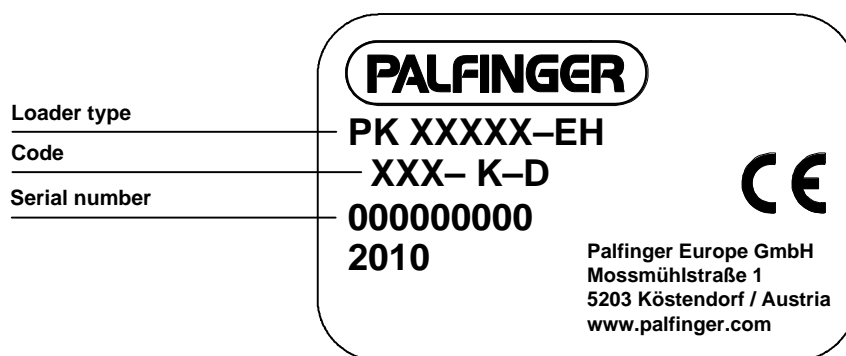
If you have maintained and serviced the technically matured equipment purchased from us in accordance with our instructions, there will scarcely be any need to consult this spares catalogue.

Should, in spite of this, the occasion arise to order spares, we would kindly ask you to state precise details as given in the catalogue, (please refer to "INFORMATION ON THE ORDERING OF SPARE PARTS") so as to avoid confusion.

We reserve the right to make design modifications.

Information on the ordering of spare parts

- To supply you with the correct parts in the shortest possible time it is necessary to inform us about following details:
- Loader type, code and serial number (look identification plate)
 - Spare parts number
 - Required quantity of spare parts



(-->123456789)	Valid to crane number		
(123456789-->)	Valid from crane number		
(1-16)	consists out of position 1-16		
(+20)	with position 20		
Page-A	Control valve side		
Page-B	Counter control side		
ABST	Support	R	without extension box
		R0	One side extension box
		R1	Both side extension box
		R2	Both side extension box - extended
		R3	Extension box telescopic
		R4	Both side extension box - extended
		R.X	Both side extension box - hydraulic
		SR.	Support controllable from top seat
DPS+	Dual Power System Plus	FFST	Radio remote control
FERN	Remote control	PALF20	PALFINGER-PALCOM
FERT	Type - remote control	P2	PALFINGER-SCANRECO
		BMS2	HETRONIC
		P3	with display
GGSR	Control (reverse acting)	LKW	Mounting LKW
GRA	Type - crane Base	SAT	Semi-trailer installation
		EGG	Integrated base
HEC	Rear-stabilizer	HSTZY	Tiltable stabilizer
HEM	Rear module	HEM900	Rear module +900
HKONS	Top seat FFST	HK001	Standard seat
		HK002	Tiltable seat
		HK003	Seat with heater
		HK004	Folding seat with heater
HOST	Top seat - control	KL0	Linear lever control
		KK1	Cross lever control
HPLS	High Power Lifting System	EHPLS	High Power Lifting System
		SHPLS	Super High Power Lifting System
HSITZ	Top seat - standard	HS005	Tiltable seat
		HS012	Standard seat
HYA,PJHY	Hydraulic extensions	()	Configuration with one hydraulic extension boom
		A	Crane with 2 hydraulic extension booms
		B	Crane with 3 hydraulic extension booms
		C	Crane with 4 hydraulic extension booms
		D	Crane with 5 hydraulic extension booms
		E	Crane with 6 hydraulic extension booms
		F	Crane with 7 hydraulic extension booms
		G	Crane with 8 hydraulic extension booms
		H	Crane with 9 hydraulic extension booms
IKONS	Standing platform FFST	IK002	without IS001, with IG001
		IK004	with IS001,IG001
		IK006	with IS002,IG001
IG	Railing	IG001	3 port
		IG002	2 port
IS	Limitation of rotation (I)	IS001	Limitation of rotation over (I)
		IS002	Limitation of rotation, main boom over (I)
		IS003	Limitation of rotation over (FL)
ISC	Integrated Stability Control	ISC01	Support control +SHB
		HPSC	High Performance Stability Control
LHA	Crane hook	LHA03	25t with sleeve bearing
		LHA04	8t with sleeve bearing
		LHA06	15t with sleeve bearing
		LHA08	5,4t with sleeve bearing
		LHA09	11t with roller bearing
		LHA12	8t with roller bearing

Signs and symbols

LHV	Load holding valve	LHV...	see page 0.22
NOTAB	Emergency lowering device	NOT01	(NOTAB) Lifting cylinder
O	Overload protection	OSK	with lock cylinder
OELKU	Oil cooler	ÖLK01	Oil cooler 8.5kW mounted
		ÖLK02	Oil cooler 10.5kW, loose
		ÖLK03	Oil cooler 8.5kW, loose
		ÖLK04	Oil cooler 20kW mounted
		ÖLK05	Oil cooler 20kW, loose
		ÖLK07	Oil cooler 10.5kW mounted
		PT050	Paltronic 50
		PT150	Paltronic 150
PAL	Paltronic		
PJ	Fly-Jib		
PJHY	Hydraulic extensions	see (HYA)	
PJKSL	Hose-equipment (PJ)	J02	1 Auxiliary equipment
		J04	Auxiliary equipments2
PJV	Extension	see (V)	
PUMPE	Type - pump	PU002	Fixed displacement pump
		PU003	Variable displacement pump
RODRU	Rotator (...bar)		
S	Rope winch	SHE	with limiting switch - main boom
		SK	without limiting switch - outer boom
		SKE	with limiting switch - outer boom
		SHEK	Power link rope winch (hydraulic tilttable at main boom)
		GR__	Limit of rotation __ degree
SCH	Slew limitation	SHB01	with one pressure range
SHB	Slew angle dependent capacity limitation	SHB07	with 2 pressure ranges + jumper
		MULT11	Quick-coupling, crane
SKUPP	Quick-coupling Multifaster	MULT12	Quick-coupling,(PJ)
		MULT13	Quick-coupling, crane+(PJ)
SL	Hose-equipment	2	1 Auxiliary equipment - hose tray
		4	2 Auxiliary equipment - hose tray
		T2	1 Auxiliary equipment - hose drum
		T4	2 Auxiliary equipment - hose drum
		T2i	1 Auxiliary equipment - hose drum (inside)
		T4i	2 Auxiliary equipment - hose drum (inside)
SLVO	Preparation (SL)	VSL2	Preparation (SL) 1 auxiliary equipment
		VSL4	Preparation (SL) 2 auxiliary equipment
SONSL	Control valve section (SL)	SSZD	Brick grab Germany
		SSZT	Brick grab + deadman push button
SOSTZ	Stabilizer ram	SCSTD	Type Scandinavian
		STÜ01	Stabilizer ram -150 mm
		STÜ02	Stabilizer ram +100 mm
		STÜ03	Stabilizer ram -100 mm
STEIL	Boom angle monitoring system	STEIL1	Boom angle monitoring system
		STEIL2	Monitoring the steep position (PJ)
STG	Control - support	FL	Control valve - support
		FLZUS	Control valve - auxiliary support
		FFST4	remote controlled (4-elements)
		FFST8	remote controlled (8-elements)
		FFST12	remote controlled (12-elements)
		FFST14	remote controlled (14-elements)
STGA	Control - crane	FL	Floor control
		I	High stand platform
		H	Top seat
		NK	Emergency control - crane column
		NK2K	Emergency control - crane column, double circuit
STRAN	Rope winch, strand	1	1 strand
		2	2 strand
		4	4 strand
STT	Stabilizer plates	STD	Standard
STU	Hour meter	__	Extension __mm

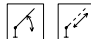
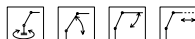

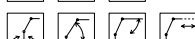
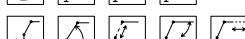
STZ	Stabilizer ram	STZO	Type without support
		STZS3	Stabilizer ram - rigid
		STZY3	Stabilizer ram - slewable
		STZY	Hydraulically tiltable stabilizer cylinder
		STZS3Y	Page-A=(STZS3) B=(STZY3)
		STZYS3	Page-A=(STZY3) B=(STZS3)
SWERK	Slewing system	1GETR	1-Slewing gear
SWK	Max. rope winch capacity:	2GETR	2-Slewing gear
TKKR	Crane tank	1,5 - 4,5	1,5t - 4,5t
TKLO	Auxiliary tank	TL__	Oil tank__l
TOT	Dead center	TOWI	Dead center over balance
		TOQU	Dead center over transverse spar
		SE	continuous
TRANS	Transport position monitoring	TRAN1	Armrest
		TRAN2	Main boom - horizontal level
		DN46	DINOIL DN46
TSCH,TSTB	Control valve	M4-12	REXROTH M4-12
		PVG32	DANFOSS PVG32
		RS210	NORDHYDRAULIK RS210
		RS220	NORDHYDRAULIK RS220
		RSQ240	NORDHYDRAULIK RSQ240
		SDM081	WALVOIL SDM081
		VDM07	SALAMI VDM07
V,PJV	Extension	V1()	1 Extension by (HYA ())
		V1A	1 Extension by (HYA A)
		V1B	1 Extension by (HYA B)
		V1C	1 Extension by (HYA C)
		V1D	1 Extension by (HYA D)
		V1E	1 Extension by (HYA E)
		V1F	1 Extension by (HYA F)
		V1G	1 Extension by (HYA G)
		V1H	1 Extension by (HYA H)
		V2()	2 Extensions by (HYA ())
		V2A	2 Extensions by (HYA A)
		V2B	2 Extensions by (HYA B)
		V2C	2 Extensions by (HYA C)
		V2D	2 Extensions by (HYA D)
		V2E	2 Extensions by (HYA E)
		V2F	2 Extensions by (HYA F)
		V2G	2 Extensions by (HYA G)
		V2H	2 Extensions by (HYA H)
		V3()	3 Extensions by (HYA ())
		V3A	3 Extensions by (HYA A)
		V3B	3 Extensions by (HYA B)
		V3C	3 Extensions by (HYA C)
		V3D	3 Extensions by (HYA D)
		V3E	3 Extensions by (HYA E)
		V3F	3 Extensions by (HYA F)
		V3G	3 Extensions by (HYA G)
		V3H	3 Extensions by (HYA H)
LHV	Load holding valve	LHV14	
		LHV18	
		LHV19	
		LHV28	 Double-acting load holding valve
		LHV34	

Table of Contents

Page	
0	PREFACE
0.02	Preface-EN
0.20	Signs and symbols
0.21	Signs and symbols
0.22	Signs and symbols
0100	BASE
0100.01100-A	Base R2X,R3X,R4X
0100.02200-A	Attachments PK20001-K
0100.02300-A	Attachments - Clamp housing
0100.03200-A	Valve bracket I,IKONS,RSQ240
0100.03201-A	Valve bracket FL,I,IKONS,RSQ240
0100.04000-A	Bracket FL,I
0100.04001-A	Bracket FL,I
0100.05000-A	Slewing system
0100.06000-A	Piping - slewing system FL
0100.07000-A	Piping - lube system
0100.08010-A	Piping - control FL,RSQ240,ISC
0100.09000-A	Hoses FL,I
0100.10300-A	Extension box R4X
0100.10301-A	Outrigger extension cylinder UP10005
0100.10302-A	Outrigger extension cylinder UP10006
0100.10310-A	Hose tray R4X
0100.10330-A	Tread roller ISC-S,HPSC
0100.10331-A	Tread roller
0100.11300-A	Extension - box piping R4X,VDM07
0100.12000-A	Support STZS3,STZS3Y,A-side
0100.12100-A	Support STZS3,STZYS3,B-side
0100.12101-A	Stabilizer ram UP1900A
0100.13000-A	Stabilizer plates
0110	HIGH STAND PLATFORM
0110.01000-A	Attachments
0110.02000-A	High stand platform
0110.03000-A	Railing
0110.04000-A	Cable pull
0110.05000-A	Sensor
0200	CONTROL - SUPPORT VDM07
0200.01300-A	Control valve R2X,R3X,R4X
0200.01301-A	Control valve - details
0200.02000-A	Control system
0230	CONTROL - CRANE RSQ240
0230.01000-A	Control valve (6-sections) FL,I
0230.02000-A	Control system
0231.01000-A	Inlet element
0231.02000-A	Separate element

Page	
0231.03000-A	Separate element
0231.04001-A	Control valve - details
0231.05000-B	End element
0300	SAFETY DEVICES
0300.01200-A	Support control HPSC
0300.01201-A	Rope length control
0300.03000-A	Encoder
0300.04000-A	Transport position monitoring
0301	ELECTRICAL PARTS
0301.02000-A	Terminal PT050 (175 mm)
0301.02100-A	Terminal PT050 (250 mm)
0301.02200-A	Basic element PT050
0301.02300-A	PT050 Attachment board
0301.02400-A	Decals PT050
0301.04000-A	Adaptor, switch
0301.05000-A	Wire plug
0301.06000-A	Line-up terminal
0301.07000-A	Relay (1)
0301.07100-A	Relay (2)
0301.08000-A	Miscellaneous
0400	CRANE COLUMN
0400.01100-A	Crane column FL (PK20001-K)
0400.02100-A	Attachments - crane column (PK20001-K)
0400.02101-A	Lifting cylinder - details
0400.02102-A	Attachments - Clamp housing
0400.03000-A	Piping - lifting cylinder RSQ240
0400.03001-A	Load holding valve UV510-...
0500	MAIN BOOM
0500.01100-A	Main boom (PK20001-K)
0500.01101-A	Outer boom ram - details
0500.02000-A	Piping - outer boom ram RSQ240
0500.02001-A	Load holding valve UV476-370
0600	OUTER BOOM
0600.01100-A	Outer boom (PK20001-K)
0600.01101-A	Hose clip
0600.01102-A	Attachments - Clamp housing
0701	BOOM EXTENSIONS PK20001-K
0701.01000-B	Extension boom 1 + piping
0701.01001-A	Boom extensions ram 1 details
0701.01002-A	Pretension valve UV325
0701.02100-A	Extension boom 2 + piping
0701.02101-A	Boom extensions ram 2 details
0701.03100-A	Extension boom 3 + piping

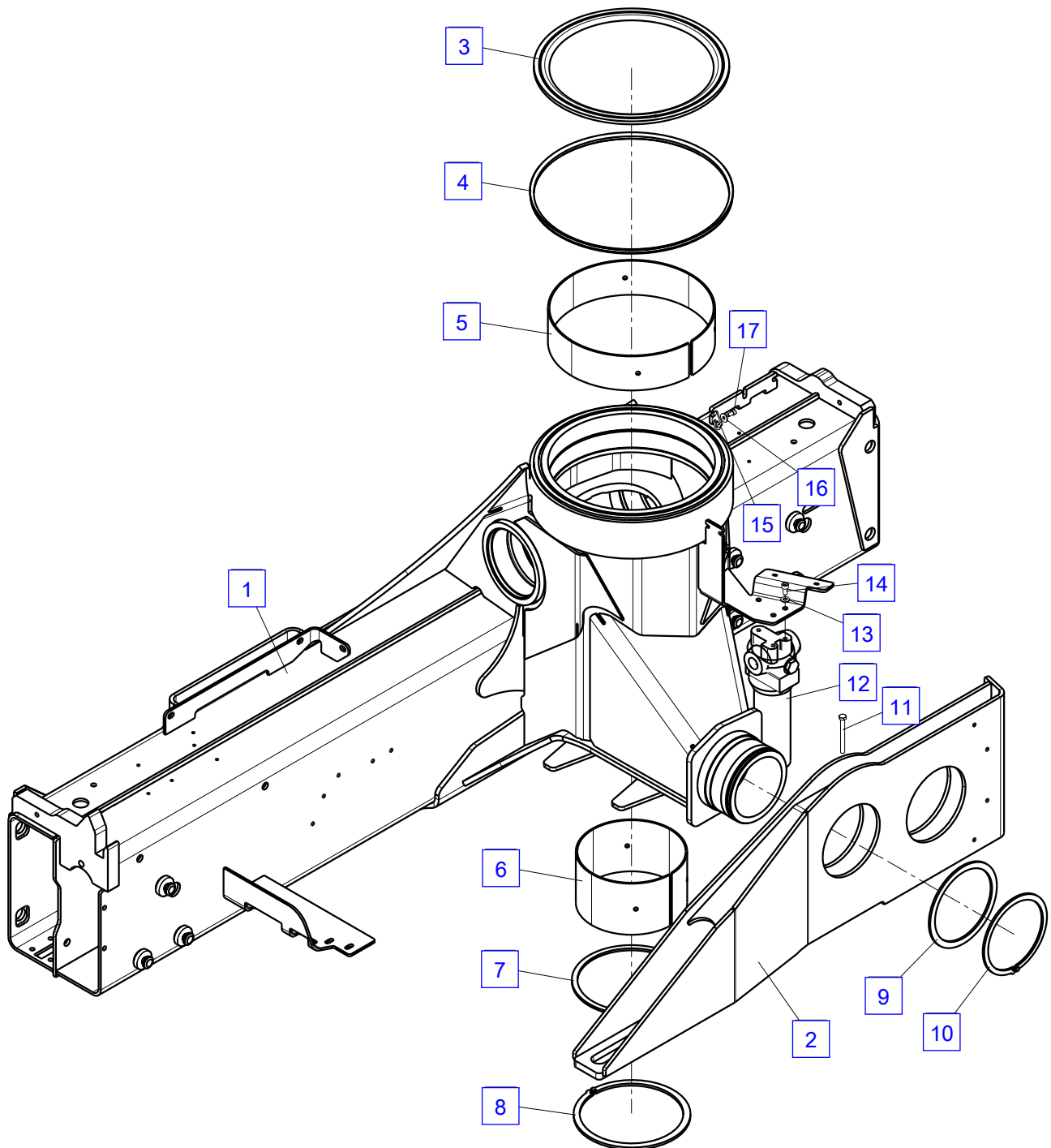
Table of Contents

Page	
0701.03101-A	Boom extensions ram 3 details
0701.04000-A	Extension boom 4 + piping
0701.04001-A	Boom extensions ram 4 details
0710	HOSE TRAYS
0710.01000-A	Outer boom
0710.02200-A	Hose tray 2
0710.04000-A	Hose tray 4
0710.06001-A	Quick-coupling
1000	MISCELLANEOUS
1000.01000-A	Miscellaneous
1000.02000-A	Crane hook
1000.03000-A	Decals (1)
1000.04000-A	Decals (2)
1000.05100-A	Decals (PK20001-K)
1200	AUXILIARY EQUIPMENT
1212	OIL TANK TKL0
1212.00030	Oil tank, cpl. TL140

This page is intentionally left blank

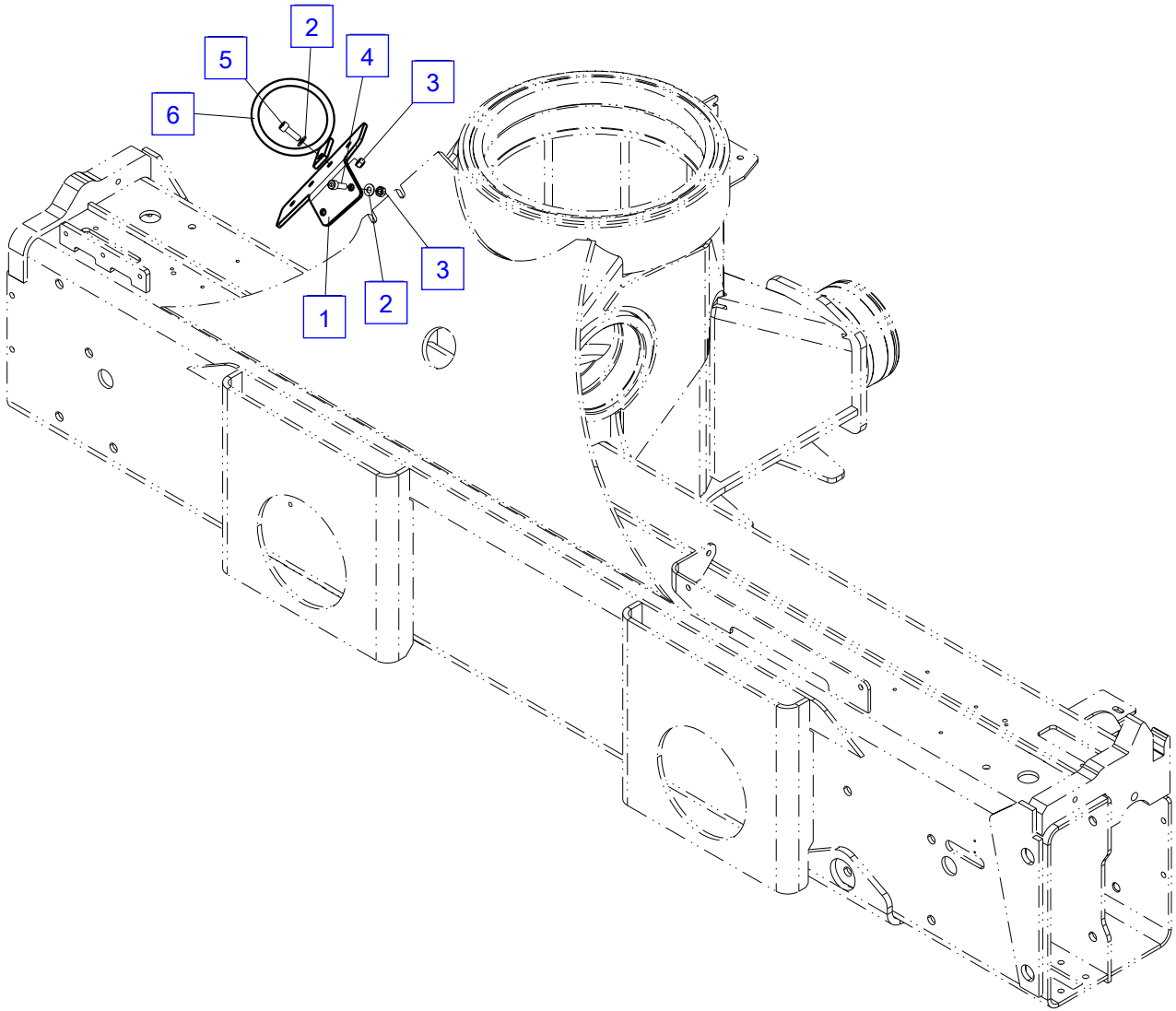
Base R2X,R3X,R4X

No.	Spare part	Qty.	Description	Dimension
1	S304G01SC+00001	1	Crane Base (Standard colour RAL 2002)	
2	S407G35SA+00001	1	Balance (Standard colour RAL 2002)	
3	HBS1092A	1	Guide ring	
4	ER 355	1	V-Ring	D 410x360 mm
5	HT7044	1	Bearing	3,3 mm
5	HT7043	1	Bearing	3,2 mm
5	HT7042	1	Bearing	3,1 mm
5	HT4424	1	Bearing	3 mm
6	HT7059	1	Bearing	3,3 mm
6	HT7058	1	Bearing	3,2 mm
6	HT7057	1	Bearing	3,1 mm
6	HT4425	1	Bearing	3 mm
7	HBS1381	1	Distance ring	
8	EQ 304	1	Circlip	D 205 DIN 471
9	HBS7109	1	Spacer	4 mm
10	EQ 039	1	Circlip	D 155 DIN 471
11	ES 479	1	Screw	M 8x80 DIN 933
12	EA4922	1	High pressure filter	
	TD1553	1	Seal kit	
	EA4925	1	Filter element	
13	EK 003	3	Washer	D 8.4 ISO7089
14	ES 264	3	Screw	M8x16 ISO4762- 8.8
15	HT7778	1	Folding arrow	
16	EK 178	1	Washer	ISO7093-2-06-140HV
17	ES1150	1	Screw	M 6x12 - 8.8 - ISO4762



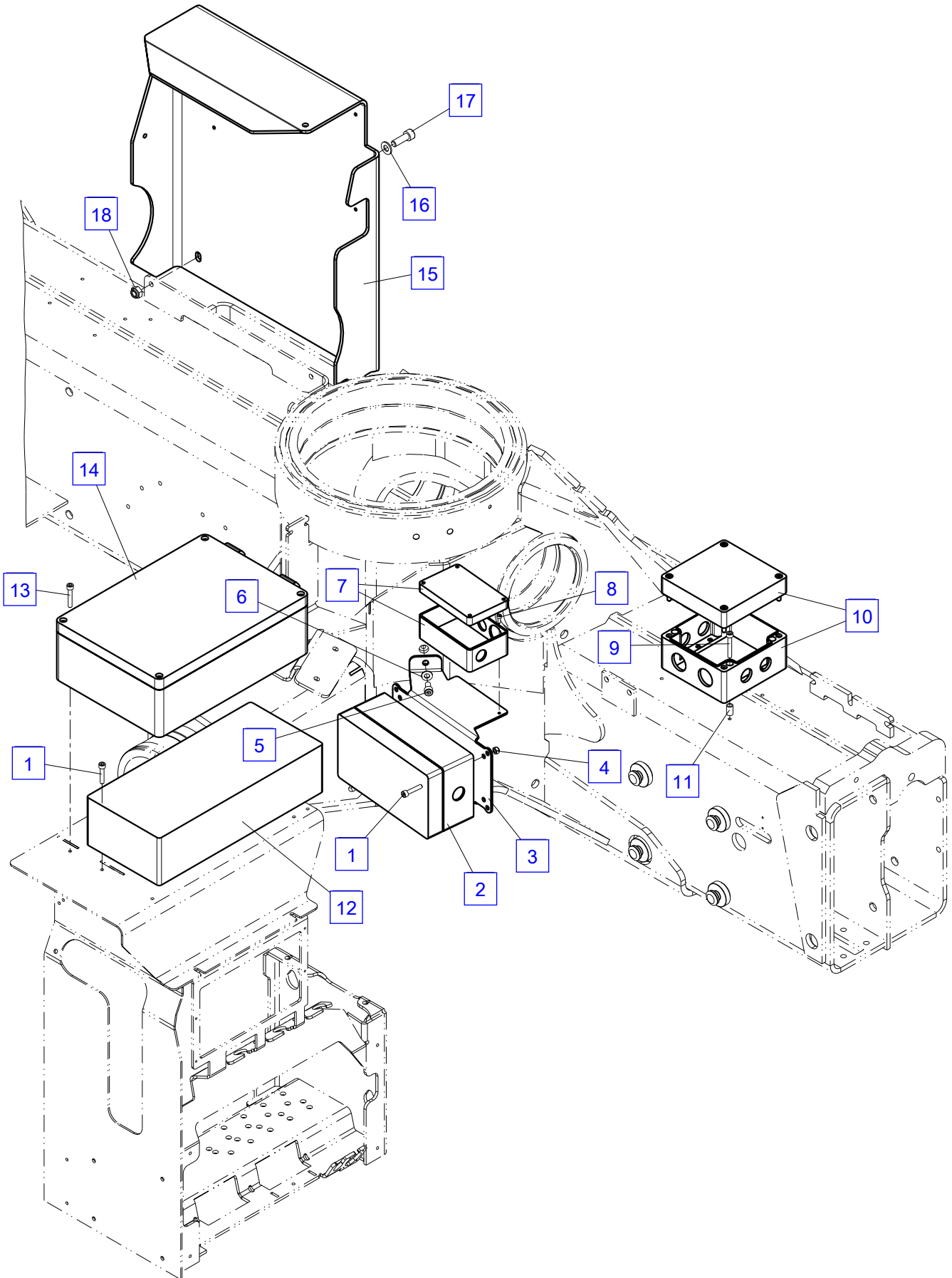
Attachments PK20001-K

No.	Spare part	Qty.	Description	Dimension
1	HA7306A	1	Bearer	
2	EK 003	3	Washer	D 8.4 ISO7089
3	EM 026	3	Nut	M 8 DIN 985
4	ES 011	2	Screw	M 8x30 ISO4762-10.9
5	ES1462	2	Screw	M 8x25 ISO4762- 8.8
6	HX 408	1	Hose ring	d=130 mm



Attachments - Clamp housing

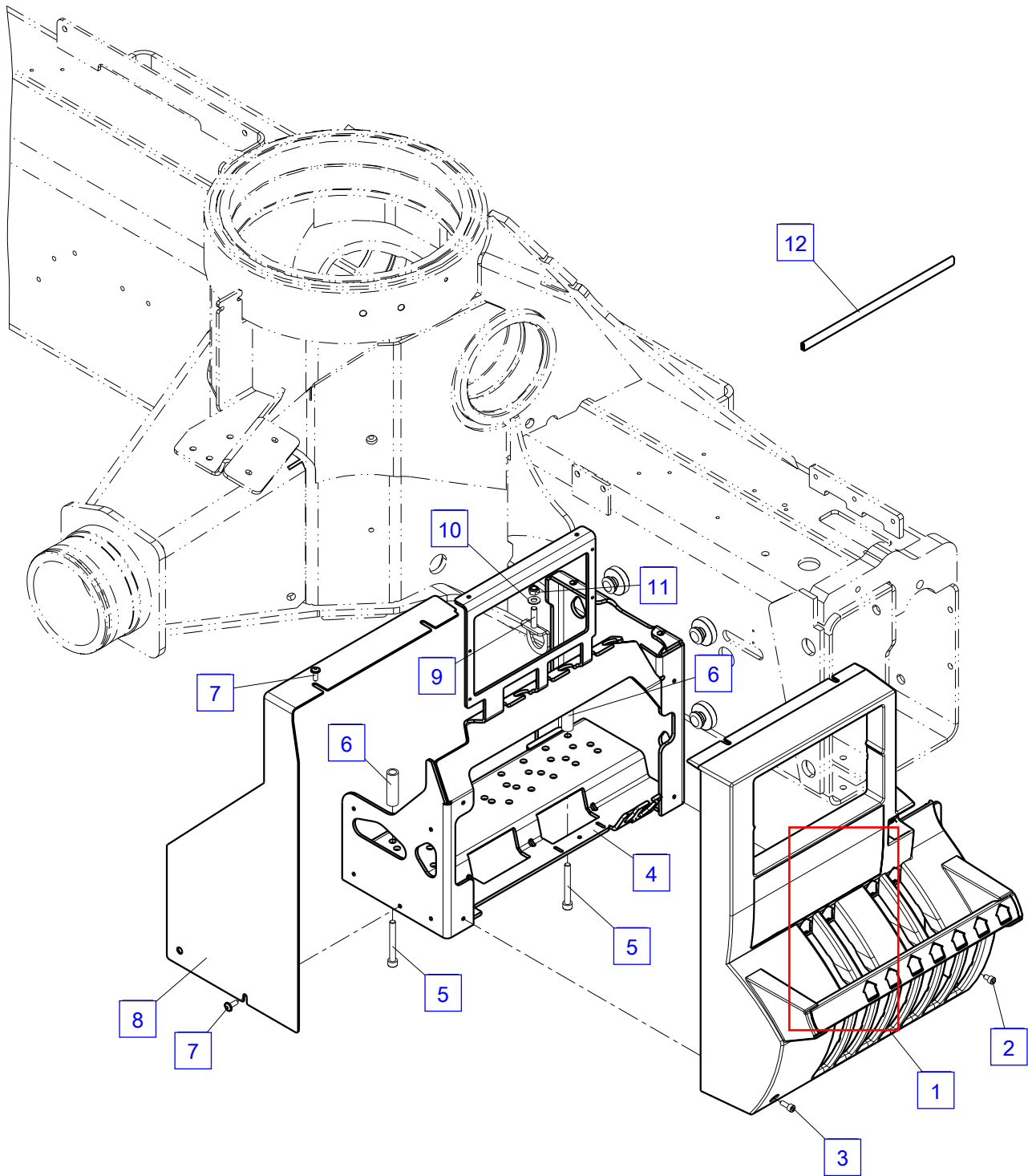
No.	Spare part	Qty.	Description	Dimension
1	ES 087	4	Screw	M 6x30 - 8.8 - ISO4762
2	EEA11683	1	Connection box	220x120x91
	ES3567	4	Screw	M 6x25 ISO4762
	ES3568	4	Screw	M 6x30 ISO4762
	ES3569	4	Screw	M 6x35 ISO4762
3	HA6654	1	Bracket	PALTRONIC
4	EM 014	4	Nut	DIN 985-8 M 6
5	ES 264	2	Screw	M8x16 ISO4762- 8.8
6	EK 003	2	Washer	D 8.4 ISO7089
7	EEA3685	1	Connection box	125x80x57 mm
8	ES 852	2	Screw	ISO4762 M 4 x 10
9	ES 105	2	Screw	M 6x40 ISO4762 10.9
10	EEA3936	1	Connection box	140x140x92
11	HBS1361	2	Bushing	l=16 mm
12	EEA3688	1	Connection box 2xM 25x1.5+6xM 32x1.5	360x160x90 mm
	ES3567	4	Screw	M 6x25 ISO4762
	ES3568	4	Screw	M 6x30 ISO4762
	ES3569	4	Screw	M 6x35 ISO4762
13	ES 856	3	Screw	M 6x35 ISO4762- 8.8
14	EEA4457	1	Connection box 7xM 20x1.5+9xM 32x1.5	330x230x110 mm
	EEA6440	1	Construction joint kit	
	ES3569	4	Screw	M 6x35 ISO4762
	ES3567	4	Screw	M 6x25 ISO4762
	ES3568	4	Screw	M 6x30 ISO4762
15	HA11496	1	Bearer	
16	EK 007	3	Washer	D 10.5 ISO7089
17	ES 031	3	Screw	M 10x30 ISO4762-10.9
18	EM 021	3	Nut	DIN 985 M10 CL8 ZB



Valve bracket I,IKONS,RSQ240

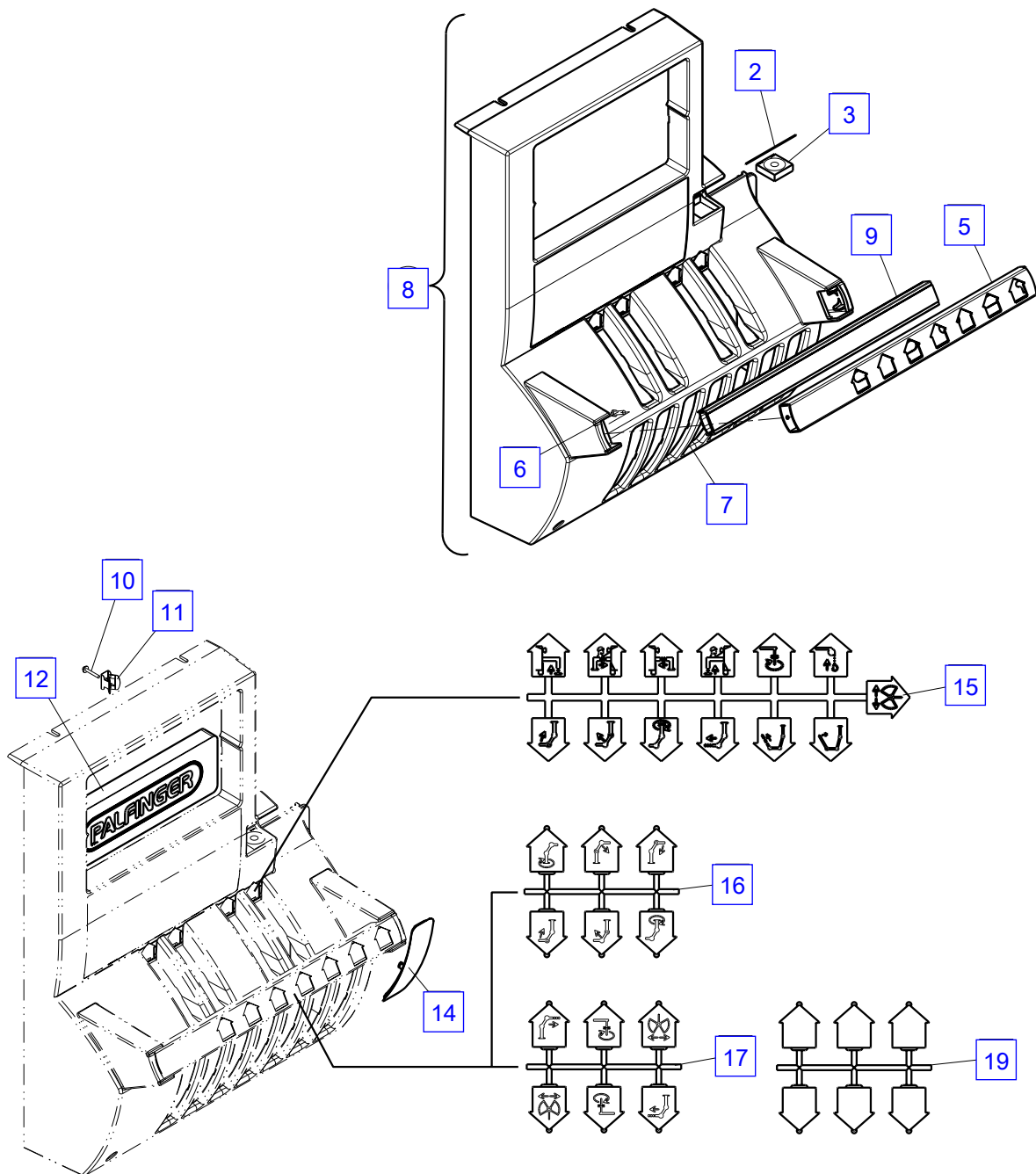
No.	Spare part	Qty.	Description	Dimension
1	HXE 553	1	Bracket without lighting see page 0100.03201-A	
2	ES 414	2	Screw	M6x10 ISO4762 - 8.8
3	ES 175	1	Screw	M 6x16 ISO4762- 8.8
4	HXE 258	1	Bracket	
5	ES1155	3	Screw	M 8x65 ISO4762- 8.8
6	HBS2886	3	Spacer	L=52 mm
7	ES2496	3	Screw	M 6x16 ISO7380-10.9
8	HA3664	1	Cover	
9	HXE1684	2	Bearer	
10	EK 003	2	Washer	D 8.4 ISO7089
11	EM 026	2	Nut	M 8 DIN 985
12	EZ2204	0	Edge protection (metro goods)	1-2 mm

Control system RSQ240



Valve bracket FL,I,IKONS,RSQ240

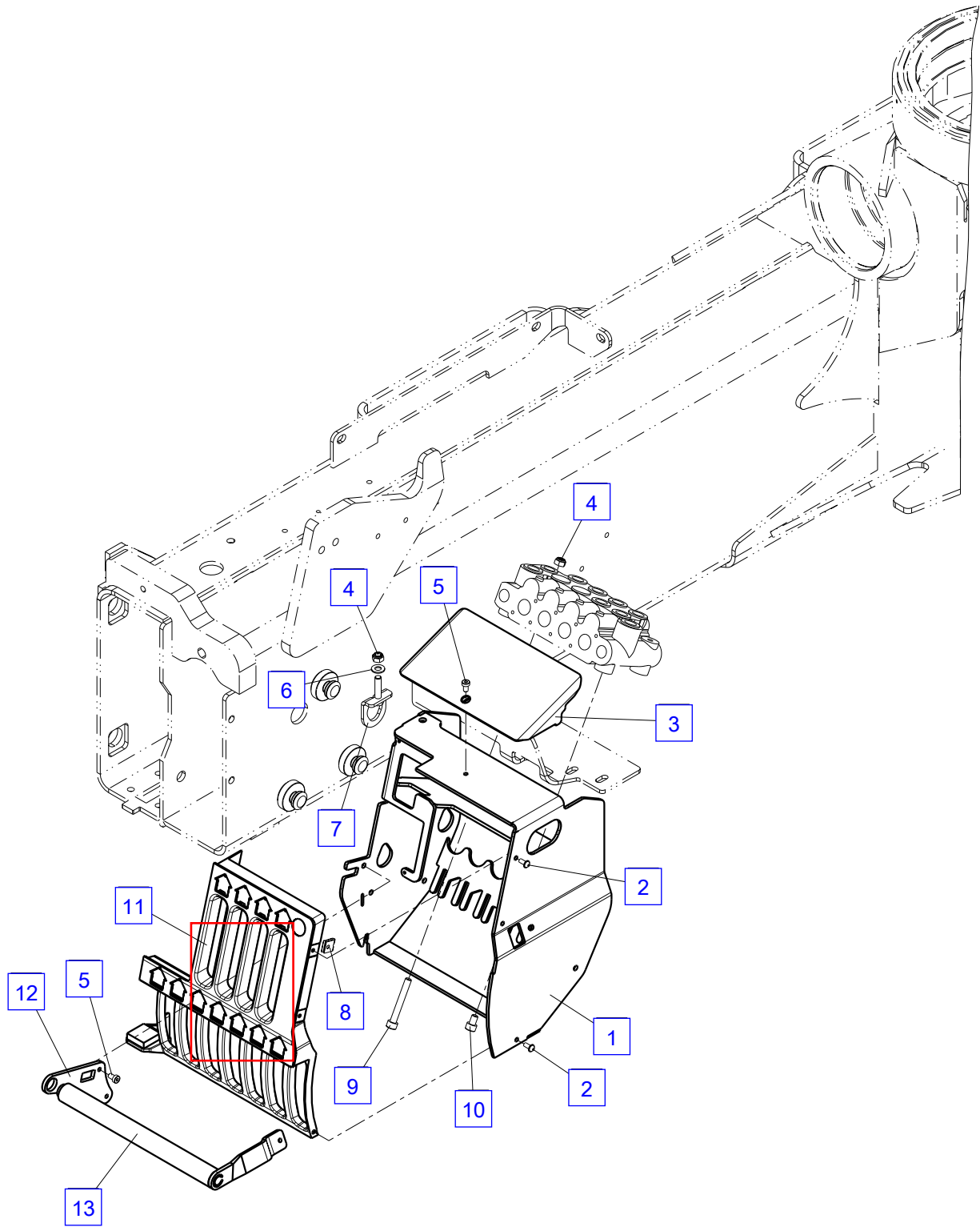
No.	Spare part	Qty.	Description	Dimension
2	EK 848	1	Mirror	
3	EK1250	1	Inclinometer	
5	HP 037	1	Protection stirrup	
6	ES 994	1	Screw	4.2x19 ISO7049
7	HX 001	1	Cover	
8	HXE 553	1	Bracket without lighting	
9	HX 057	1	Cover	
10	ES 962	3	Screw	D 3x25 mm
11	EF 174	3	Spring	
12	EK 535	1	Cover	
14	EK 536	1	Cap	
15	EK 898	1	Control decal	
16	EK 517	1	Symbol sign	
17	EK 519	1	Symbol sign	
19	EK 540	1	Blind cover	



Bracket FL,I

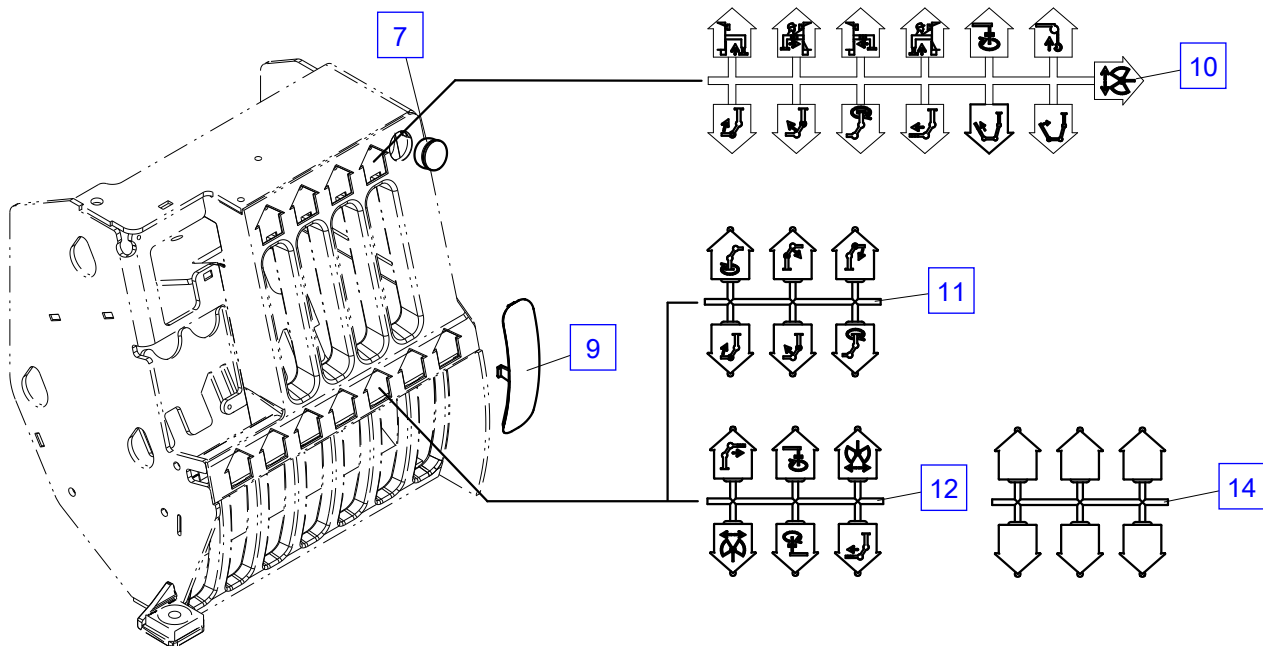
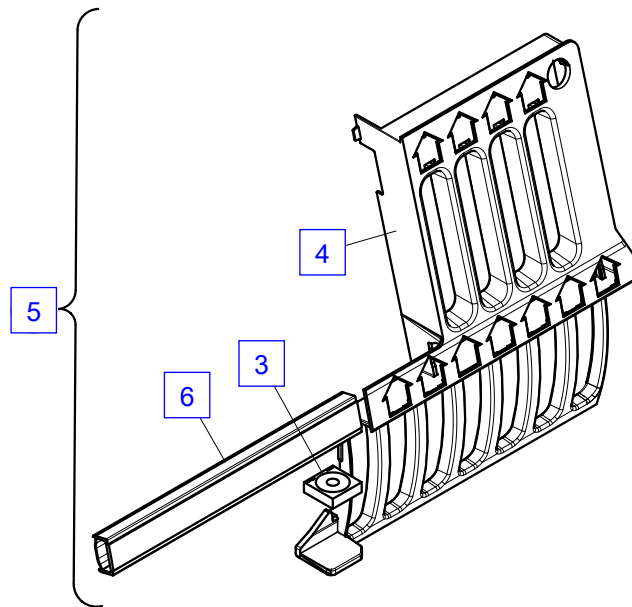
No.	Spare part	Qty.	Description	Dimension
1	HXE1130	1	Bracket	
2	ES 090	3	Screw	D 5x12
3	HXE 259	1	Bracket	
4	EM 026	3	Nut	M 8 DIN 985
5	ES 879	4	Screw	M 6x10 - 8.8 - DIN 7984
6	EK 003	1	Washer	D 8.4 ISO7089
7	HXE1684	1	Bearer	
8	EM 224	2	Nut	
9	ES1154	2	Screw	M 8x60 ISO4762- 8.8
10	ES 374	1	Screw	M 8x12 ISO4762- 8.8
11	HXE 560	1	Bracket without lighting see page 0100.04001-A	
12	HT10270	1	Fastening plate	
13	HXE3555	1	Protection stirrup	

Control system VDM07



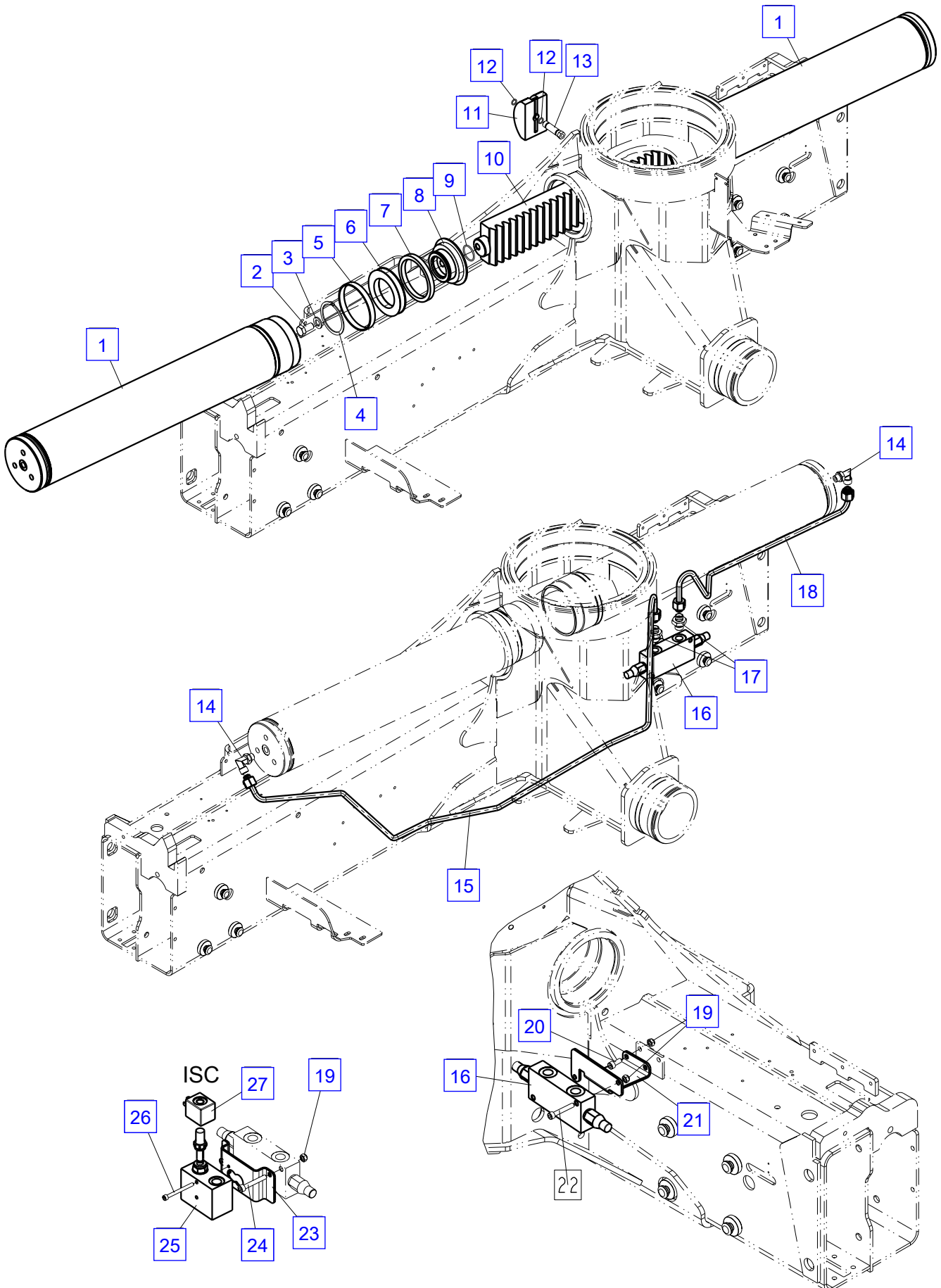
Bracket FL,I

No.	Spare part	Qty.	Description	Dimension
3	EK1250	1	Inclinometer	
4	HX 031	1	Cover	
5	HXE 560	1	Bracket without lighting	
6	HX 073	1	Cover	
7	EZ1580	1	Blind plug	
9	EK 538	1	Cap	
10	EK 898	1	Control decal	
11	EK 517	1	Symbol sign	
12	EK 519	1	Symbol sign	
14	EK 540	1	Blind cover	



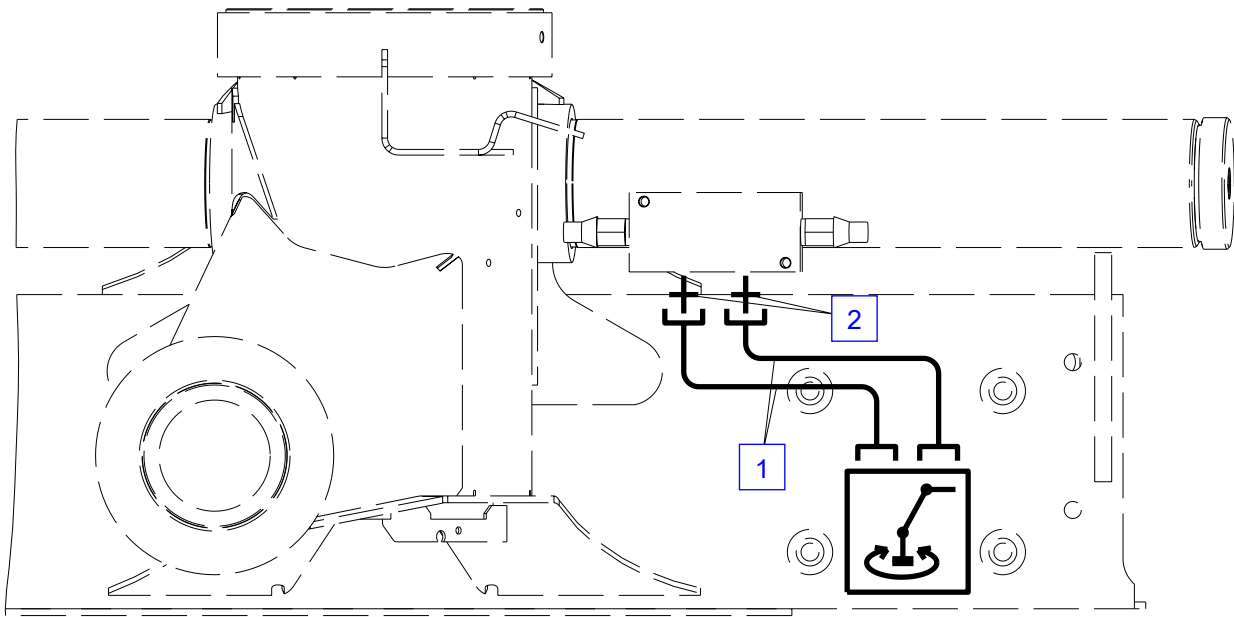
Slewing system

No.	Spare part	Qty.	Description	Dimension
1	HY 439A+00001	2	Cylinder tube (Standard colour RAL 2002)	
1	EO 121	2	O-ring	D 134,5x3
2	ES1433	2	Screw	M 16x30 DIN 961-10.9
3	EK 411	2	Washer	D 17 ISO7089
4	EQ 076	2	Circlip	D 80 DIN 471
5	ED1226	2	Guide ring	D125x120x14,8
6	HK 643	2	Piston	
7	ED1227	2	Seal ring	D125x105x12,5
8	HK 642	2	Piston	
9	EO 061	2	O-ring	D37,5x3,55
10	HZS 043	1	Rack	
11	HF 502	1	Guide block	45 mm
12	EO 027	2	O-ring	D 11,3x2,4
13	HIG 502	1	Grease tube	
14	EA1749	2	Adaptor	WEE 12S 3/8"
15	HLR11257	1	Pipe	D 12
16	EV8883-210	1	Load holding valve	210 bar
	TD1600	1	Seal kit	
17	EA 183	2	Fitting	GE 12S R1/2"-ED
18	HLR11258	1	Pipe	D 12
19	EM 026	1	Nut	M 8 DIN 985
20	ES 265	4	Screw	M 8x20 ISO4762- 8.8
21	HA6639	1	Bracket	
23	HA4734	1	Bracket	
24	ES1152	2	Screw	M 8x55 ISO4762- 8.8
25	EV4693A	1	2/2 solenoid valve without choke without FFST	40 l/min
26	ES1387	2	Screw	M 6x65 ISO4762- 8.8
27	EV4710	1	Magnet coil d=13 mm	26V



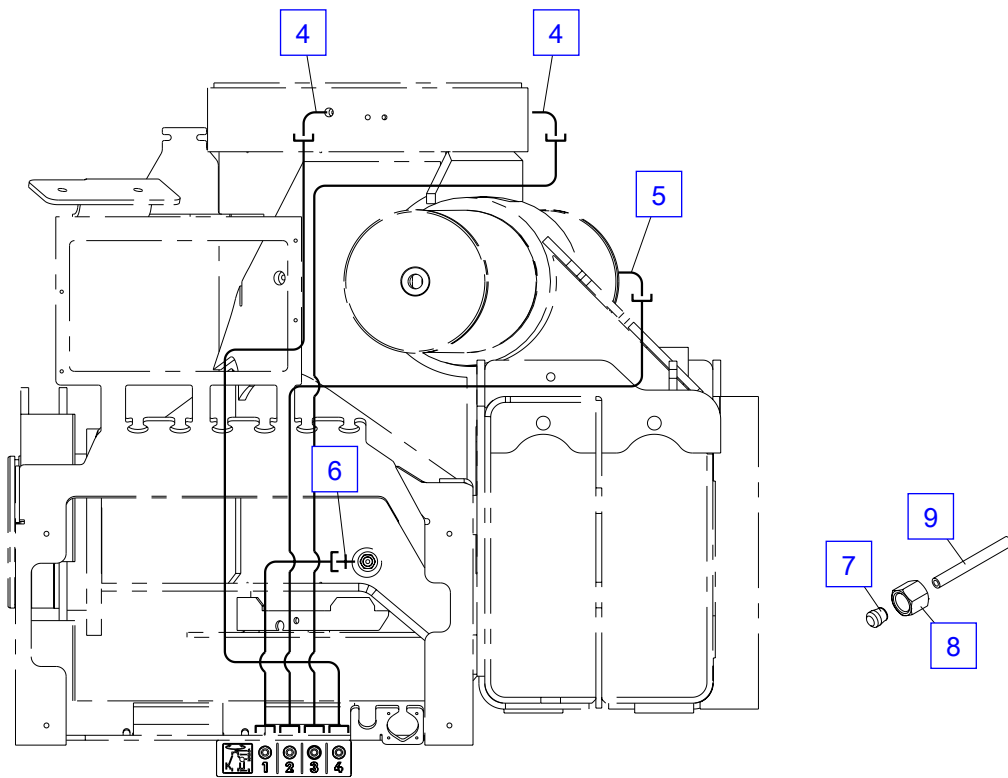
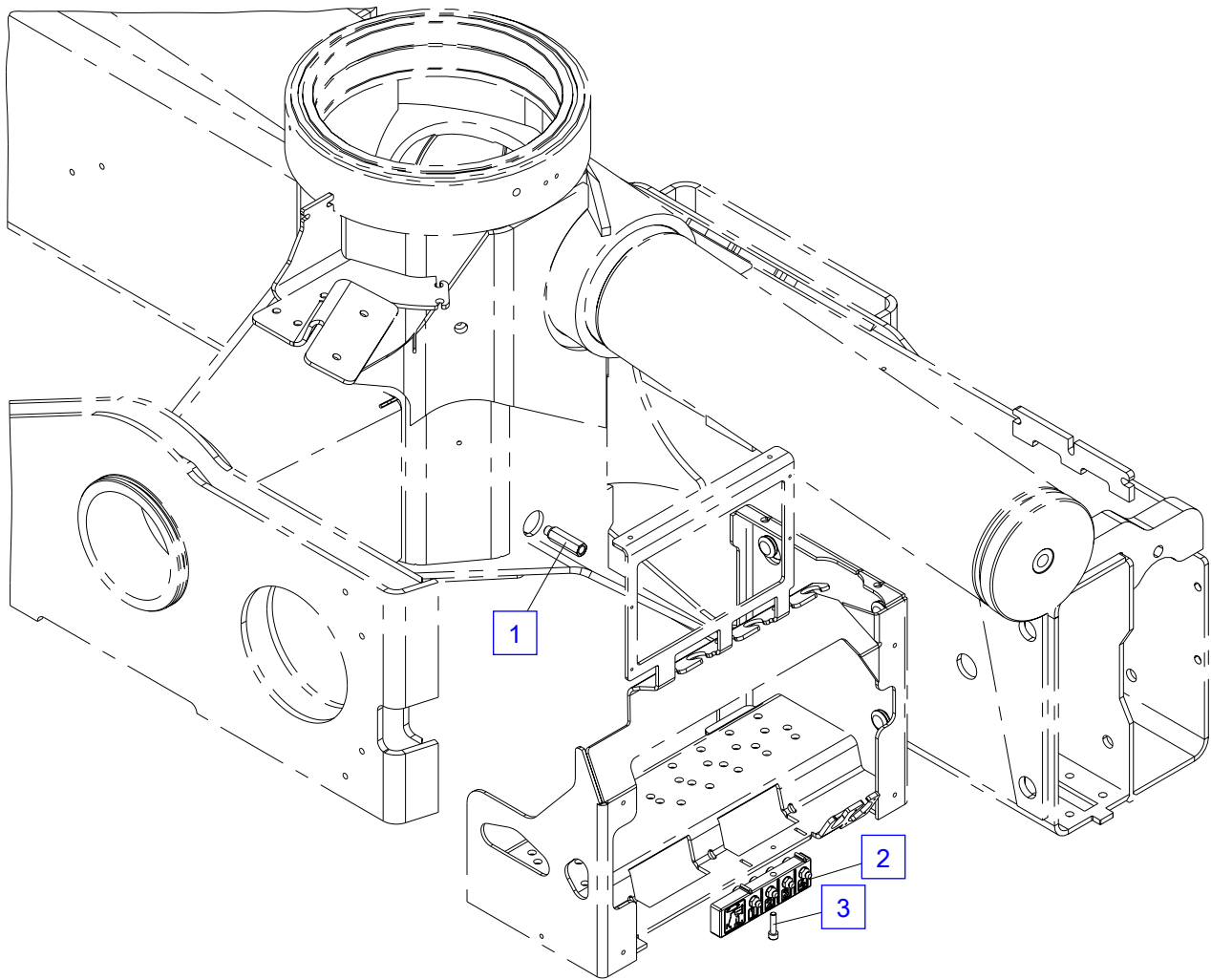
Piping - slewing system FL

No.	Spare part	Qty.	Description	Dimension
1	EH2304	2	Hose	NW 8x550
2	EA 183	2	Fitting	GE 12S R1/2"-ED



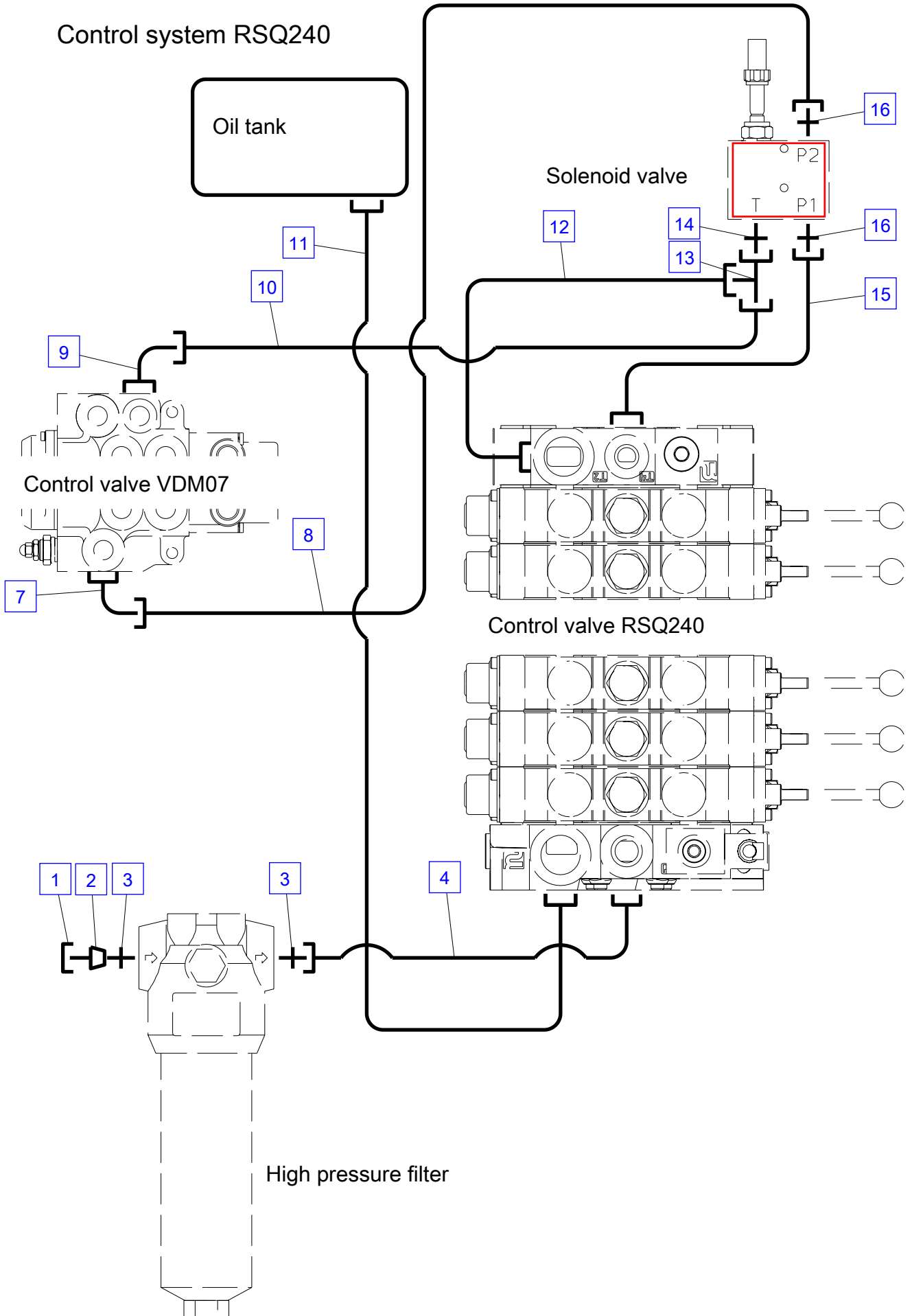
Piping - lube system

No.	Spare part	Qty.	Description	Dimension
1	HLA1098	1	Fitting	
2	HXE 714	1	Grease block	
3	ES 087	1	Screw	M 6x30 - 8.8 - ISO4762
4	EA 623	2	Fitting	WE 06-LM
5	EA 001	1	Adaptor	WH 06L M 10x1
6	EA 002	1	Fitting	GE 6L M10x1-ED
7	EA 265	4	Cutting ring	D 6 S
8	EA 641	4	Nut	M 6 L
9	EH1434	0	Grease hose Metered good	



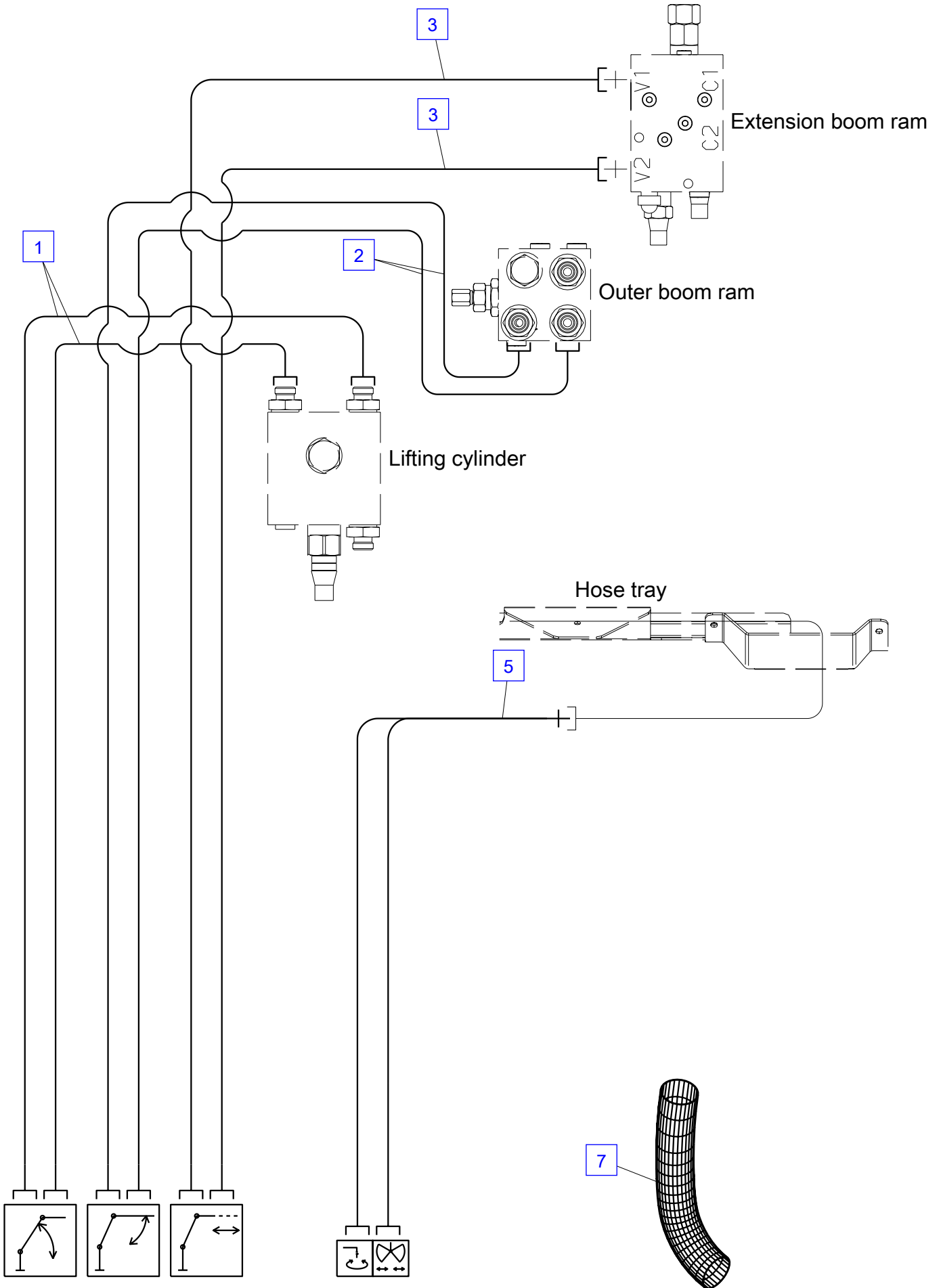
Piping - control FL,RSQ240,ISC

No.	Spare part	Qty.	Description	Dimension
1	EA1087	1	Fitting	M 25-S
2	EA1117	1	Blind plug	VKA 25
3	EA1018	2	Fitting	GE 25 S R3/4"
4	EH9580	1	Hose	NW 20x500
7	EA 019	1	Angle fitting	EW 16S
8	HLR13537	1	Pipe	D 16
9	EA 237	1	Angle fitting	EW 18 L
10	HLR13538	1	Pipe (R2X,R3X,R4X)	D 18
11	EH1793	1	Hose for oil tank	NW 25x1300
12	EH1070	1	Hose	NW 16x500
13	EA 511	1	L-Coupling	EVL 18L
14	EA 240	1	Fitting	GE 18 L R1/2"
15	EH4558	1	Hose	NW 12x400
16	EA 074	2	Fitting	GE 16S R1/2"-ED



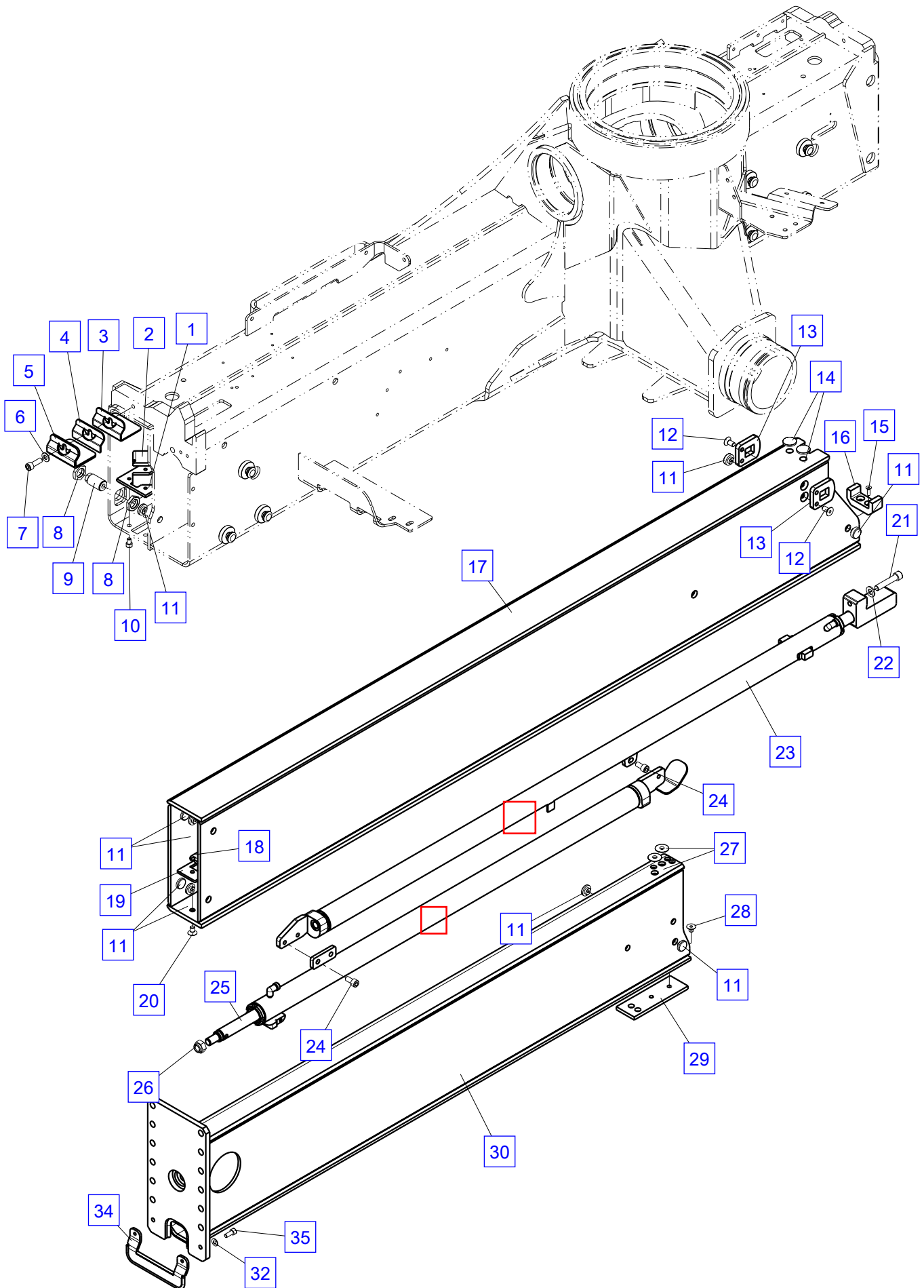
Hoses FL,I

No.	Spare part	Qty.	Description	Dimension
1	EH5310	2	Hose	NW 12x4300
2	EH5311	2	Hose	NW 12x4400
3	EH5337	2	Hose	NW 12x7700
5	EH11844	4	Hose	NW 10x8050
7	EH1942	0	Protection hose	NW 50x0900
7	EH 643	1	Protection hose (PK20001-K)	NW 102x3000
7	EH 809	1	Protection hose (PK20001-K)	NW 70x800
7	EH4154	1	Protection hose (PK20001-K)	NW 150x3000



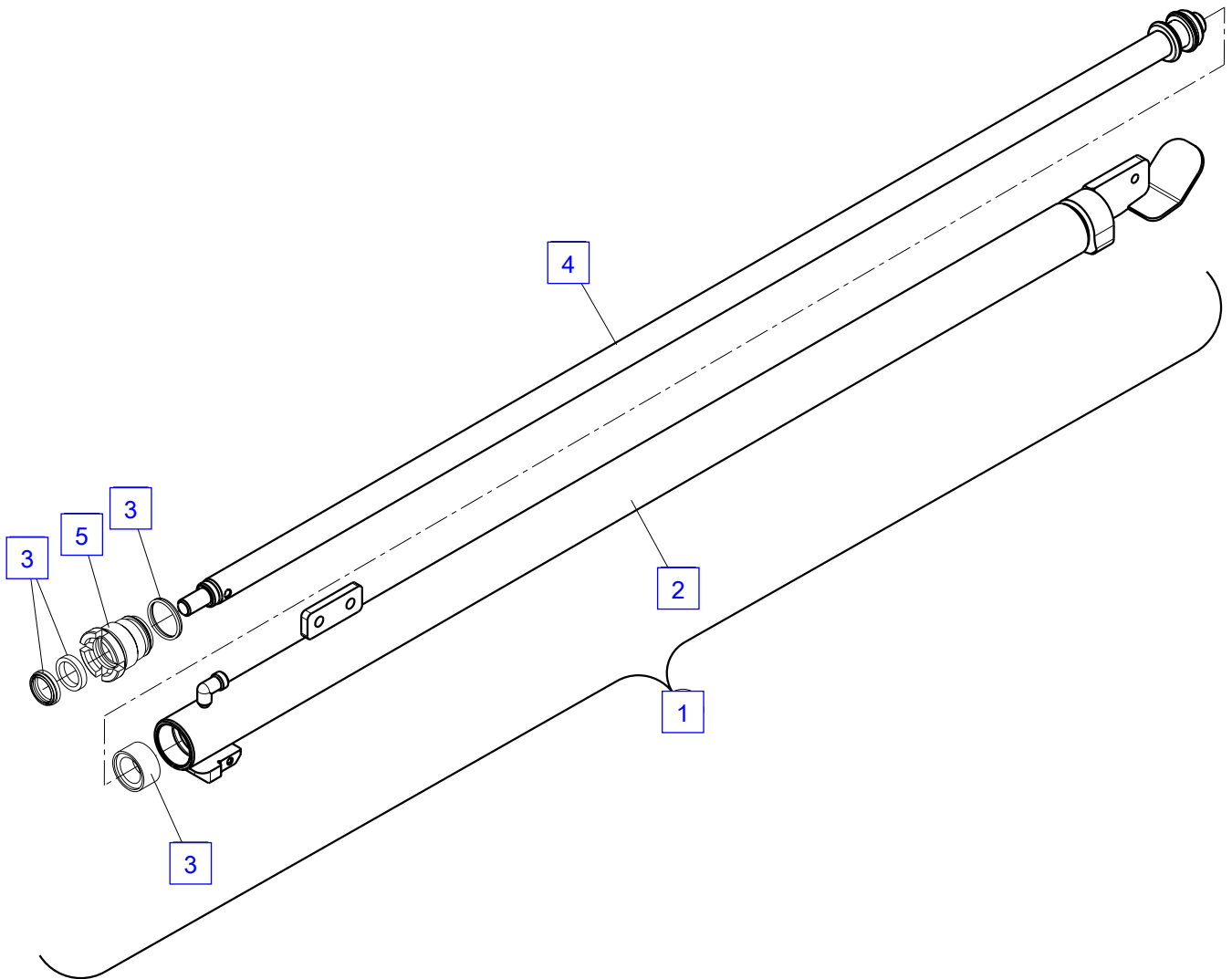
Extension box R4X

No.	Spare part	Qty.	Description	Dimension
1	HTR1192	2	Stop buffer	L0157 B0088 S0006
2	HF 834	2	Guide block	8 mm l=55 mm
2	HF 835	2	Guide block	9 mm l=55 mm
2	HF 836	2	Guide block	10 mm l=55 mm
3	HA7198	2	Sliding guide	2 mm
4	HA7199	2	Stiffening plate for HA7198	
5	HA7276	2	Stiffening plate	4 mm
5	HA7705	2	Sliding guide	3 mm
6	EK 007	2	Washer	D 10.5 ISO7089
7	ES 024	2	Screw	M 10x16 ISO4762-10.9
8	EM 540	8	Nut	M 24x1.5 DIN 80705
9	HIG 428A	4	Guide	L=46 mm
10	ES 374	8	Screw	M 8x12 ISO4762- 8.8
11	HF 007	16	Guide	5 mm
11	HF 047	16	Guide	2 mm
11	HF 050	16	Guide	3 mm
11	HF 108	16	Guide	4 mm
11	HF 795	16	Guide	6 mm
11	HF 796	16	Guide	8 mm
12	ES 298	8	Screw	M 10x20 ISO14581- 8.8
13	HT10521	4	Bearer	
14	HF 576A	4	Guide	4 mm
14	HF 577A	4	Guide	5 mm
14	HF 578A	4	Guide	6 mm
14	HIA 130A	4	Guide	3 mm
15	ES1329	4	Screw	M6x20 ISO14581- 8.8
16	HF1495	2	Bearer	
17	S425A40-A	2	Extension box	
18	HF 829	2	Guide block	8 mm
18	HF1403	2	Guide block	7 mm
19	HT10821	2	Bearer	
20	ES 314	4	Screw	M 10x16 ISO14581- 8.8
21	ES1185	2	Screw	M 12x60 DIN 912
22	EK 301	2	Washer	D 12 ISO7089-A2-HV140
23	UP10006	2	Outrigger extension cylinder see page 0100.10302-A	
24	ES 050	6	Screw	M 10x20 ISO4762-10.9
25	UP10005	2	Outrigger extension cylinder see page 0100.10301-A	
26	EM 031	2	Nut	M 16 DIN 985
27	HF 608A	4	Guide	1,5 mm
28	ES 142	4	Screw	M 10x12 ISO14581- 8.8
29	HTR3871	2	Guide block	6 mm
29	HTR3872	2	Guide block	8 mm
30	S425A41-A	2	Extension box	
32	EK 003	6	Washer	D 8.4 ISO7089
34	HXE4920	1	Protection stirrup	
35	ES 265	2	Screw	M 8x20 ISO4762- 8.8



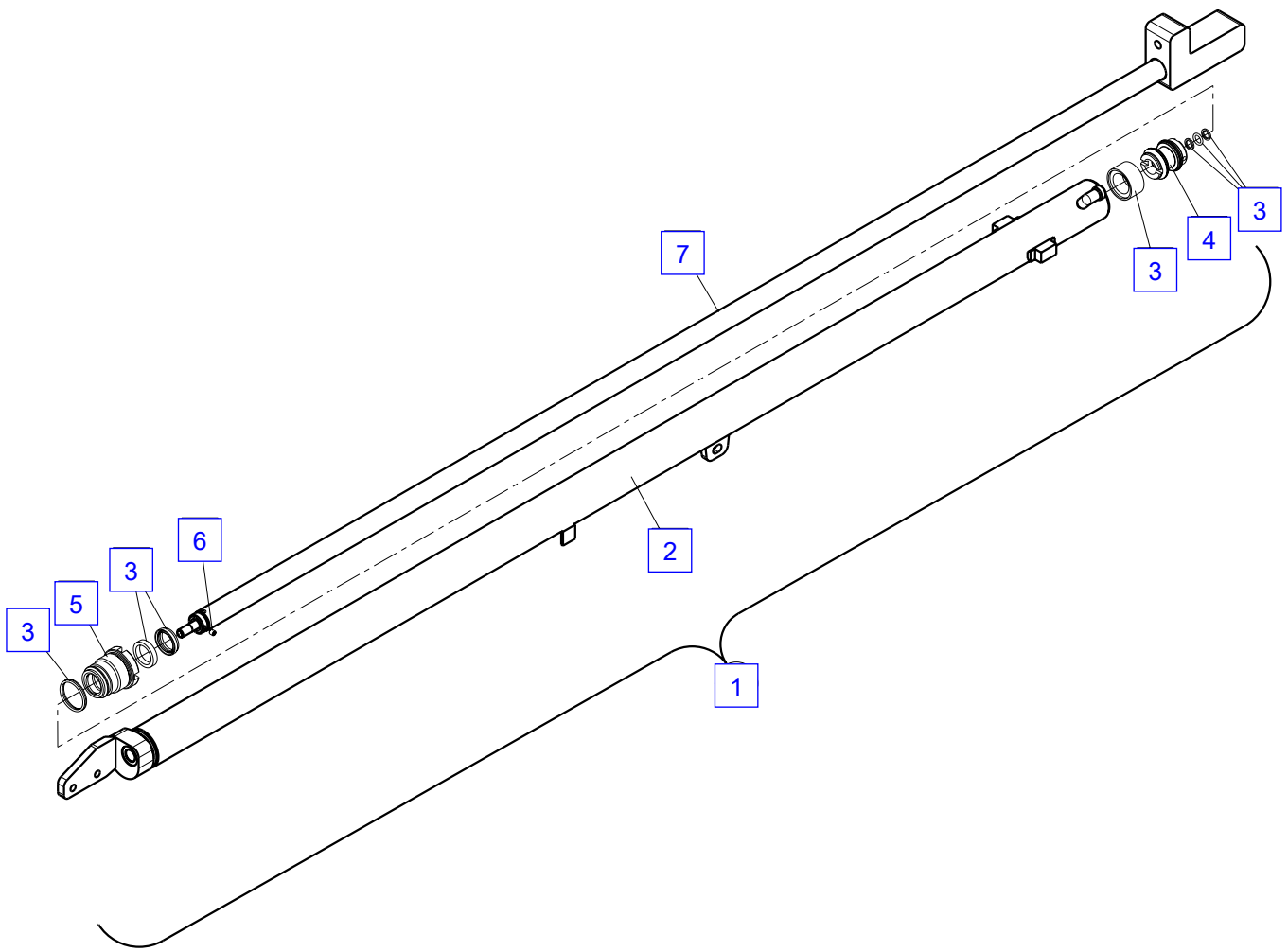
Outrigger extension cylinder UP10005

No.	Spare part	Qty.	Description	Dimension
1	UP10005	1	Outrigger extension cylinder	
2	HY2022	1	Cylinder tube	
3	TD 526A	1	Seal kit	
4	HSK1779	1	Piston rod	
5	HV 437A	1	Cylinder nut	M044x1.5 d025xL052



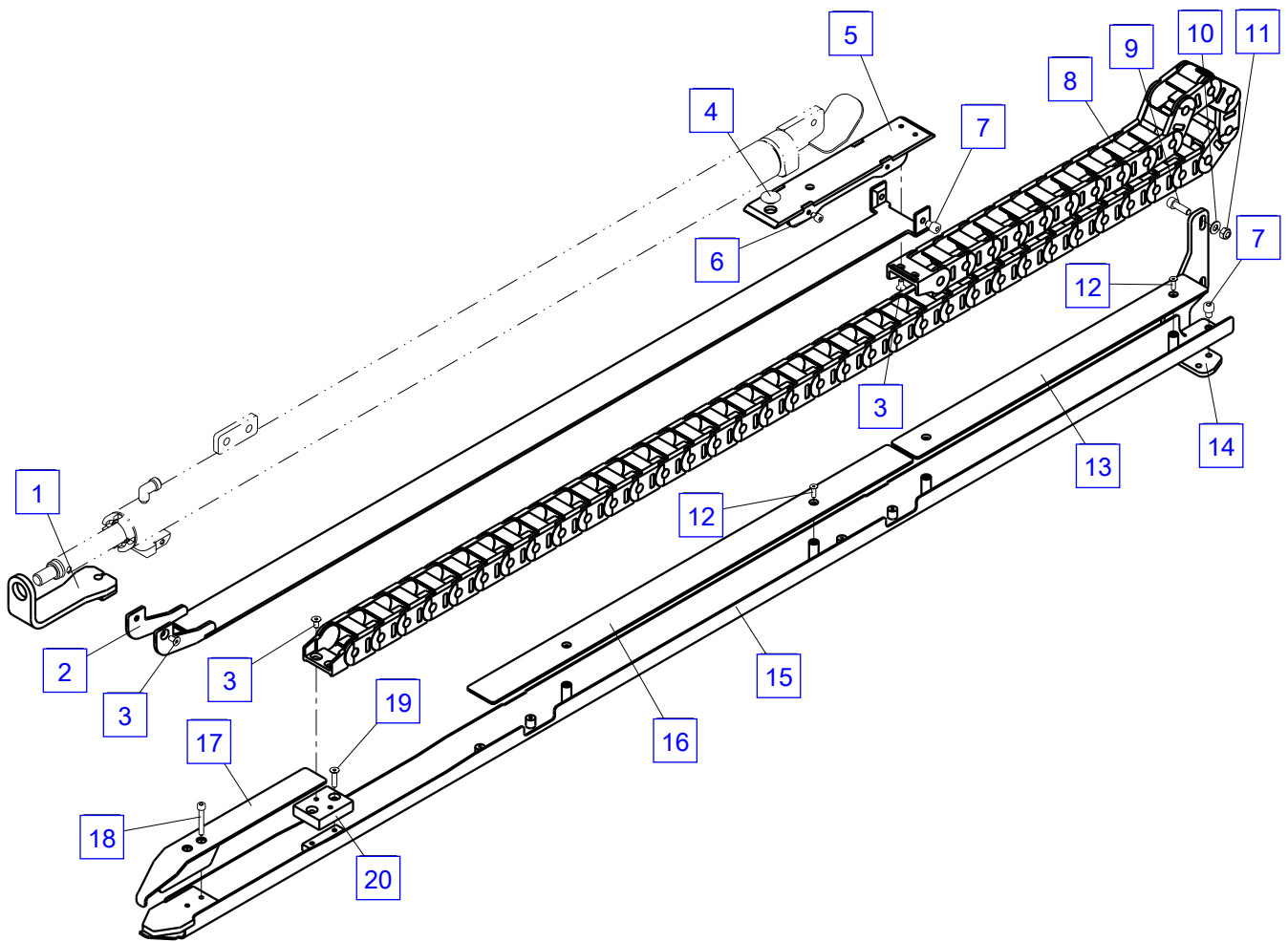
Outrigger extension cylinder UP10006

No.	Spare part	Qty.	Description	Dimension
1	UP10006	1	Outrigger extension cylinder	
2	HY2023	1	Cylinder tube	
3	TD1750	1	Seal kit	
4	HK 714	1	Piston	D040xL045 M024x1.5
5	HV 437A	1	Cylinder nut	M044x1.5 d025xL052
6	ES 228	1	Set screw	M 6x6 DIN 913
7	HSK1780	1	Piston rod	



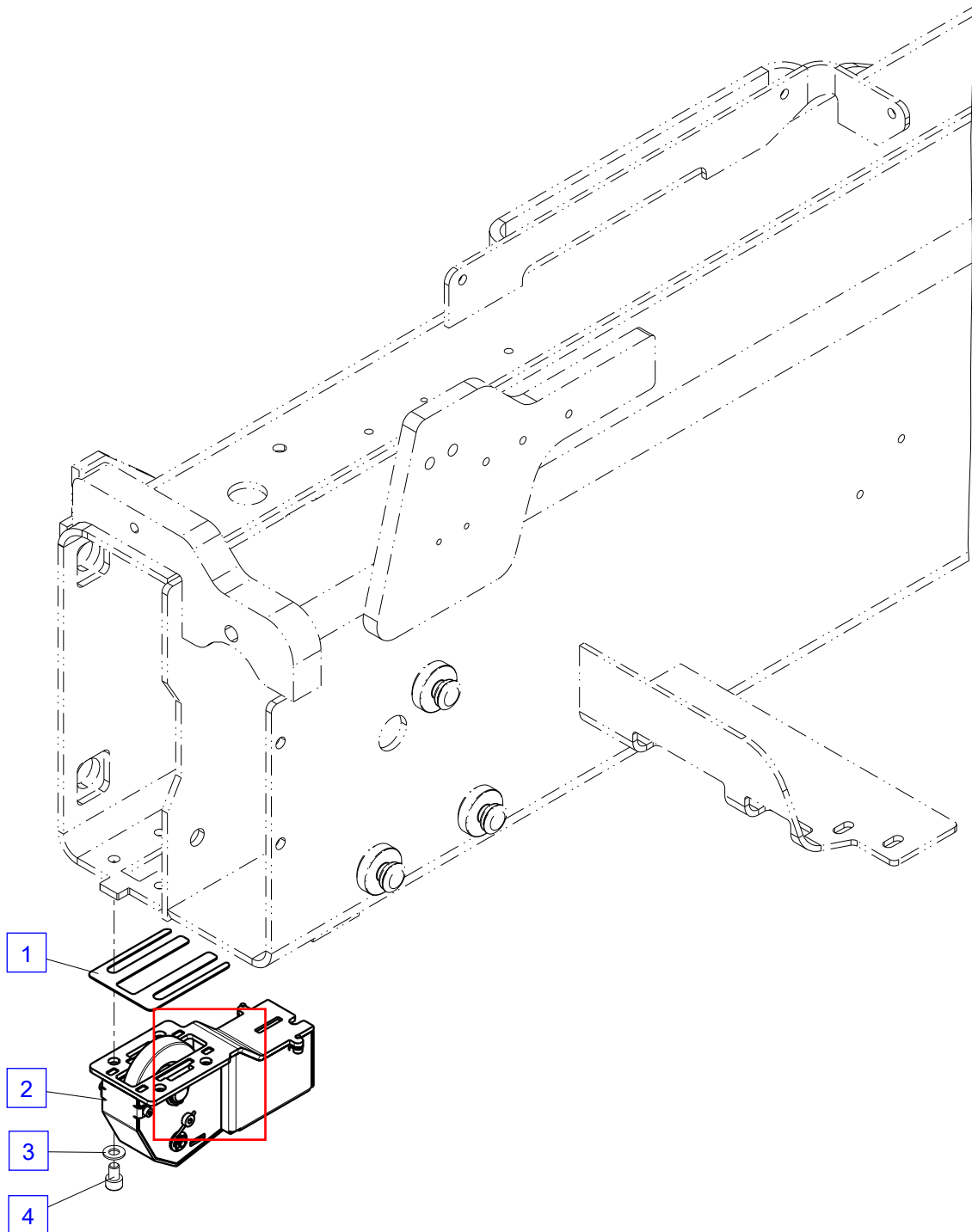
Hose tray R4X

No.	Spare part	Qty.	Description	Dimension
1	HXE9087	1	Bearer	
2	HXE9088	1	Bearer	
3	ES 419	6	Screw	M6x12 ISO14581- 8.8
4	HF 047	1	Guide	2 mm
5	HXE9086	1	Cylinder guide	
6	ES 879M	4	Screw	M 6x10 DIN 7984-A2-80
7	ES 858	4	Screw	M 8x10 ISO4762- 8.8
8	EZ4799+00001	1	Link chain (49-sections)	
	EZ4798	39	Chain link	
	EZ4795	1	Special single part	
	EZ4796	1	Special single part	
	EZ4797	8	Chain link	
9	ES1462	2	Screw	M 8x25 ISO4762- 8.8
10	EK 003	2	Washer	D 8.4 ISO7089
11	EM 026	2	Nut	M 8 DIN 985
12	ES 071	4	Screw	M 5x16 DIN 7991
13	HTR2022	1	Fastening plate	
14	HA10348	1	Bearer	
15	HXE9092	1	Hose tray	
16	HTR2028	1	Fastening plate	
17	HXE9085	1	Cover	
18	ES 105	2	Screw	M 6x40 ISO4762 10.9
19	ES1330	2	Screw	M 6x25 ISO14581- 8.8
20	HTR4931	1	Distance plate	



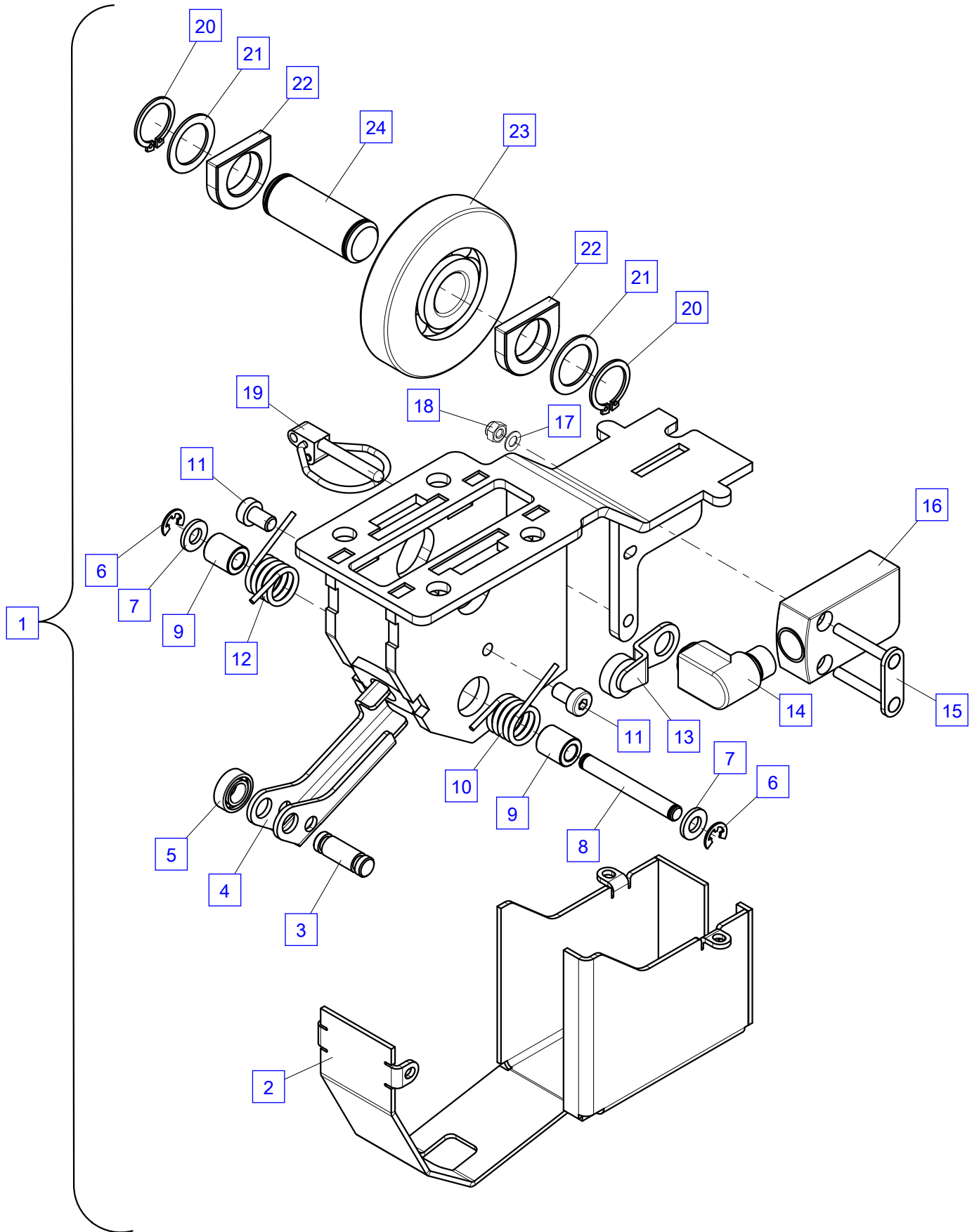
Tread roller ISC-S,HPSC

No.	Spare part	Qty.	Description	Dimension
1	HT8878	1	Distance plate	1 mm
1	HT8879	1	Distance plate	2 mm
1	HT8880	1	Distance plate	4 mm
1	HT11247	1	Distance plate	0,5 mm
2	HXE3554	1	Tread roller see page 0100.10331-A	D=70 mm
3	EK 003	4	Washer	D 8.4 ISO7089
4	ES 374	4	Screw	M 8x12 ISO4762- 8.8



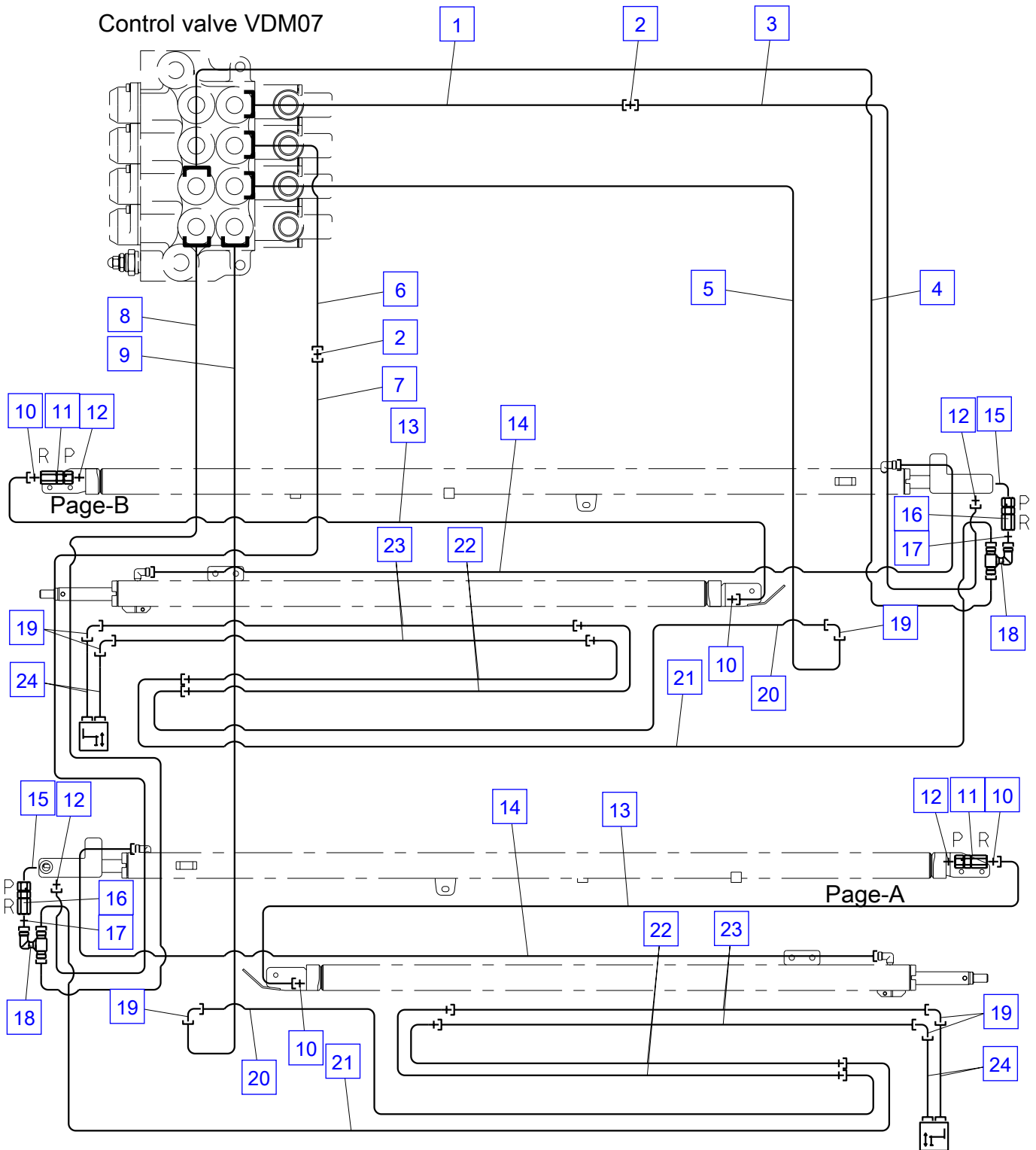
Tread roller

No.	Spare part	Qty.	Description	Dimension
1	HXE3554	1	Tread roller	D=70 mm
2	HA4842	1	Cover	
3	HI3316	2	Pin	
4	HT8881	1	Lever	
5	ELW 266	1	Ball bearing	d008xD016x05
6	EQ 052	2	Safety washer	D 5 DIN 6799
7	EK 190	2	Washer	DIN134-06-ST
8	HI3317	1	Pin	
9	HBS3177	2	Bushing	
10	EF 192	1	Spring	
11	ES 879	2	Screw	M 6x10 - 8.8 - DIN 7984
12	EF 193	1	Spring	
13	EEA3987	1	Roller lever Plastic	l=42.5 mm, b=5 mm
14	EEA3986A	1	Drive	
15	HXE5232	1	Mounting bracket	
16	EEA3942	1	Limit switch	
16	EEA9885	1	Connection element with cable	5 m
17	EK 124	2	Washer	ISO7092 - A2 -140HV
18	EM 154	2	Nut	DIN 985 M4 CL8 ZB
19	EQ 285	1	Split pin	
20	EQ 873	2	Circlip	D 17 DIN 471
21	EK 689	2	Spacer	D 17/1 DIN 988
22	HT8991	2	Metal plate	
23	ELW 269	1	Ball bearing	D=70 mm
24	HI3315	1	Pin	



Extension - box piping R4X,VDM07

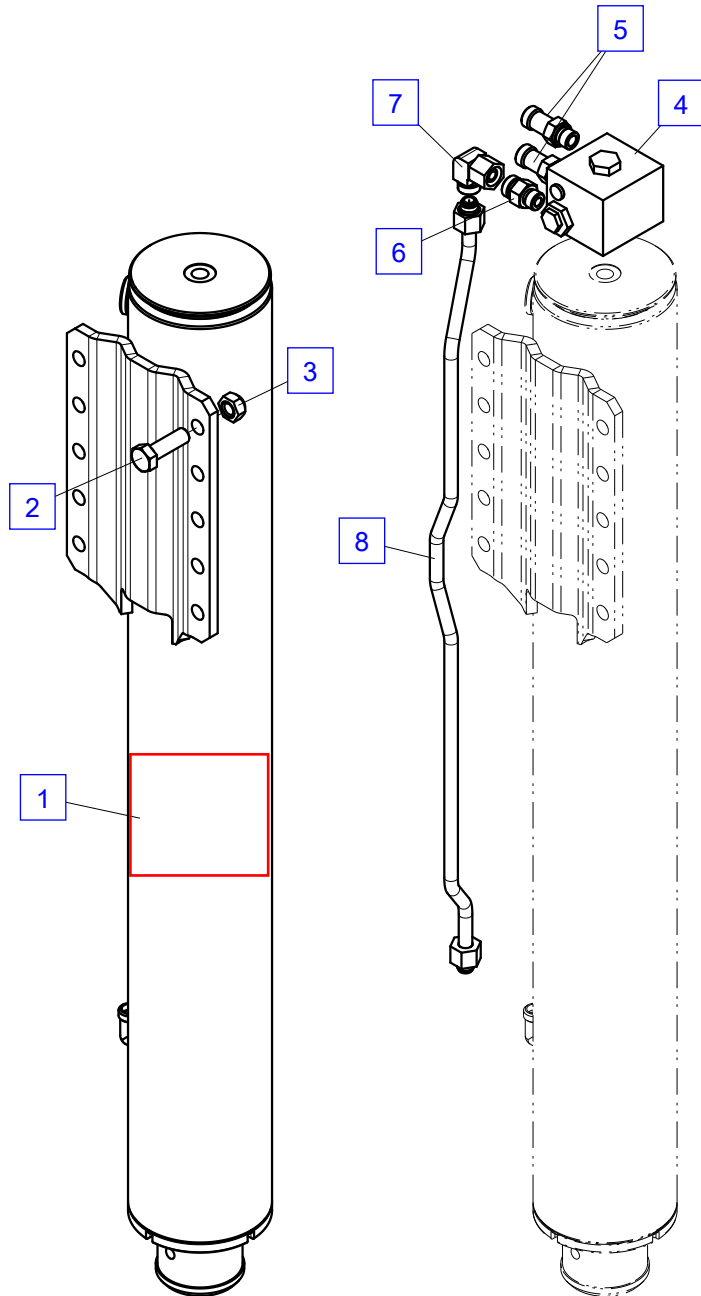
No.	Spare part	Qty.	Description	Dimension
1	HLR13517	1	Pipe	D 12
2	EA 204	2	Fitting	G 12 S
3	HLR11274	1	Pipe	D 12
4	HLR11275	1	Pipe	D 12
5	HLR11276	1	Pipe	D 12
6	HLR13514	1	Pipe	D 12
7	HLR11272	1	Pipe	D 12
8	HLR11271	1	Pipe	D 12
9	HLR11273	1	Pipe	D 12
10	EA1052	4	Fitting	GE 8 S R3/8"
11	EV4107/040	2	Pretension valve	
12	EA 039	4	Fitting	GE 12S R3/8"-ED
13	HLR13873	2	Pipe	D 12
14	HLR13874	2	Pipe	D 12
15	EA1749	2	Adaptor	WEE 12S 3/8"
16	EV4107/080	2	Pretension valve	
17	EA 201	2	Fitting	EGE 12S R3/8-ED
18	EA 600	2	Fitting	TW 12 S
19	EA 245	6	Angle fitting	W 12-S
20	HLR13877	2	Pipe	D 12
21	HLR13876	2	Pipe	D 12
22	EH 803	4	Hose	NW 8x2450
23	HLR13875	4	Pipe	D 12
24	EH5182	4	Hose	NW 8x810



Support STZS3,STZS3Y,A-side

No.	Spare part	Qty.	Description	Dimension
1	UP1900A	1	Stabilizer ram see page 0100.12101-A	l=1080 mm
2	ES 656	10	Screw	M 14x45 DIN 933
3	EM 252	10	Nut	M 14 DIN 980-10
4	EV4700	1	Pilot operated check valve	
	EV 867	1	Valve	
	TD 264	1	Seal kit	
	ASP0001074	1	Banjo bolt	
5	HLA2038	2	Fitting	GE 12S 3/8-ed
6	EA 039	1	Fitting	GE 12S R3/8"-ED
7	EA 280	3	Angle fitting	EW 12 S
8	HLR11255	1	Pipe	D 12

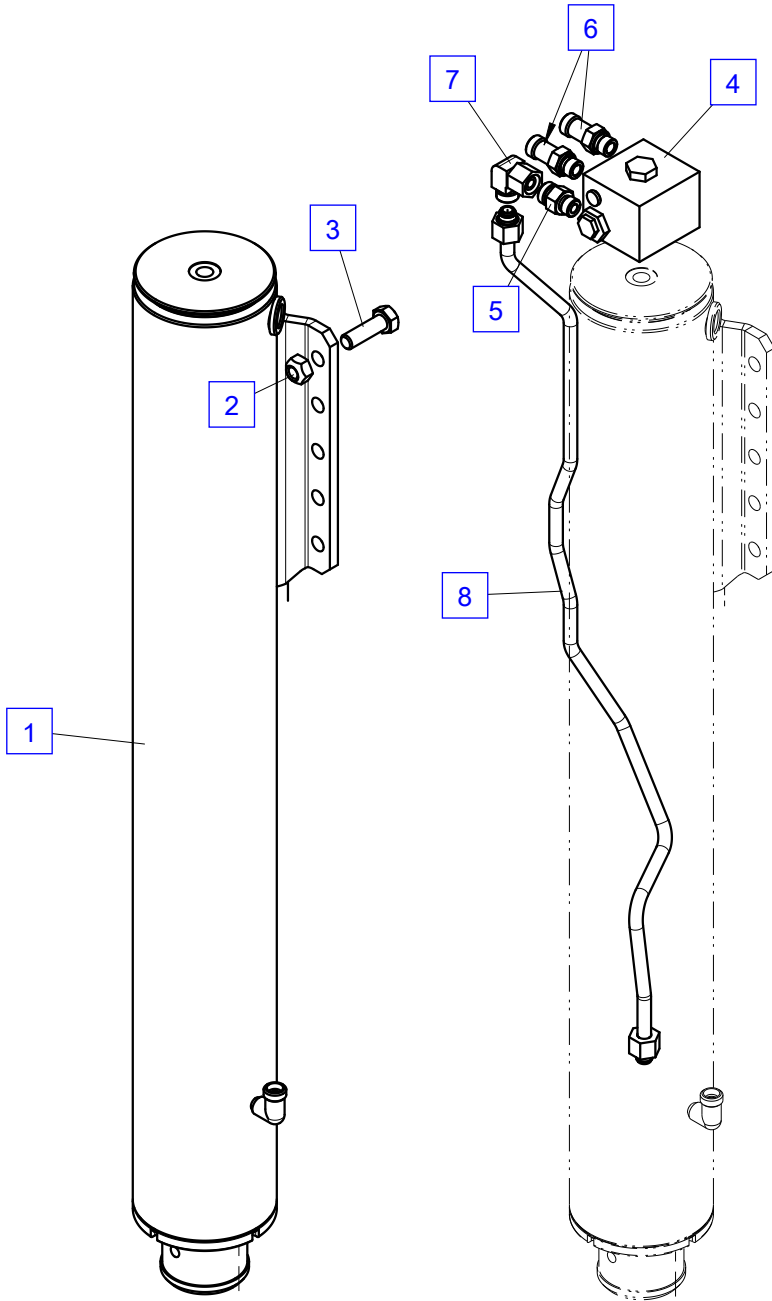
STZS3,STZS3Y



Support STZS3,STZYS3,B-side

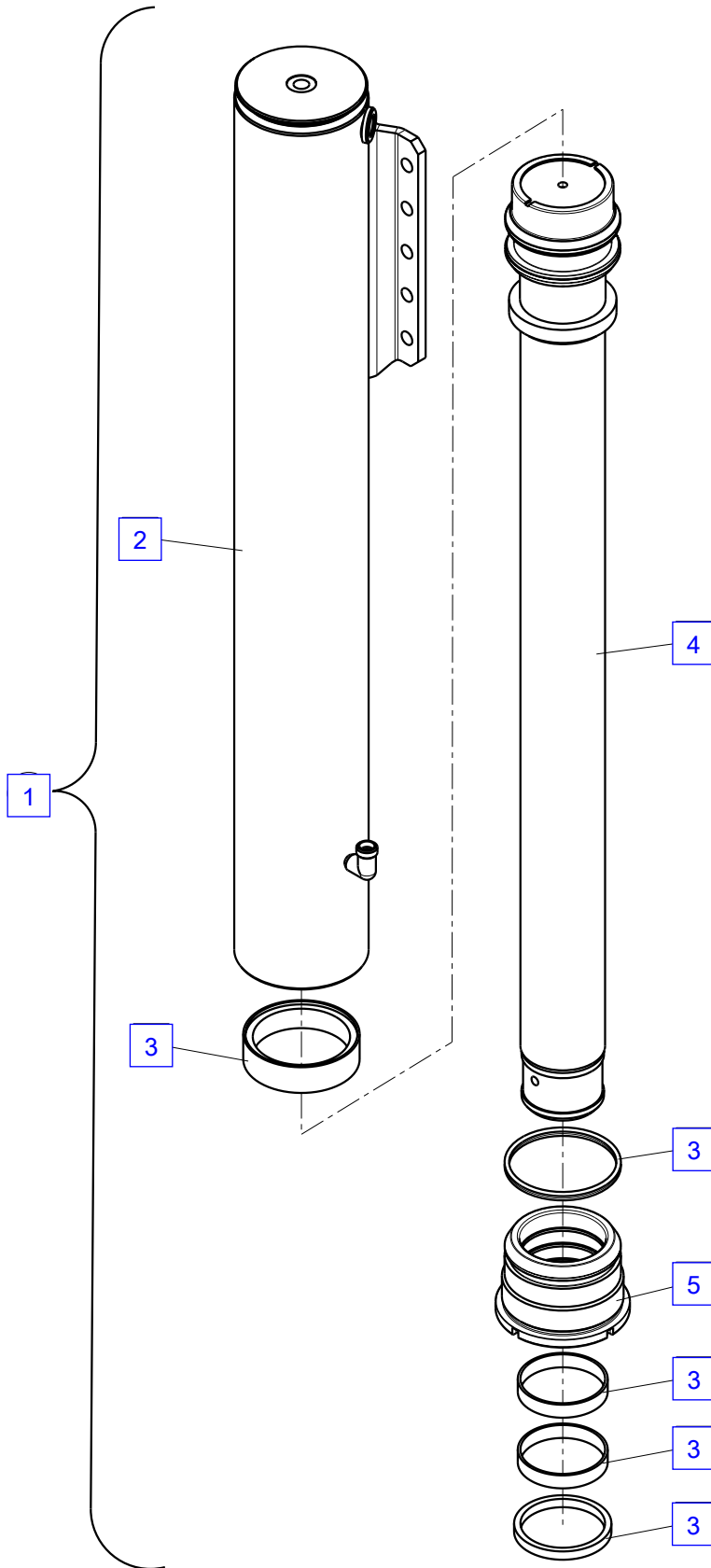
No.	Spare part	Qty.	Description	Dimension
1	UP1900A	1	Stabilizer ram see page 0100.12101-A	l=1080 mm
2	EM 252	10	Nut	M 14 DIN 980-10
3	ES 656	10	Screw	M 14x45 DIN 933
4	EV4700	1	Pilot operated check valve	
	EV 867	1	Valve	
	TD 264	1	Seal kit	
	ASP0001074	1	Banjo bolt	
5	EA 039	1	Fitting	GE 12S R3/8"-ED
6	HLA2038	2	Fitting	GE 12S 3/8-ed
7	EA 280	3	Angle fitting	EW 12 S
8	HLR11256	1	Pipe	D 12

STZS3,STZYS3



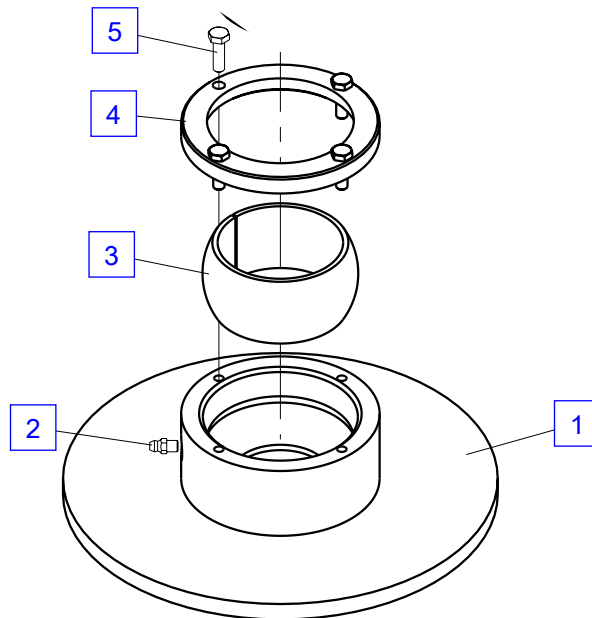
Stabilizer ram UP1900A

No.	Spare part	Qty.	Description	Dimension
1	UP1900A	1	Stabilizer ram	l=1080 mm
2	HY1653A	1	Cylinder tube	
3	TD1170	1	Seal kit	
4	HSK1493A	1	Piston rod	
5	HV 389A	1	Cylinder nut	



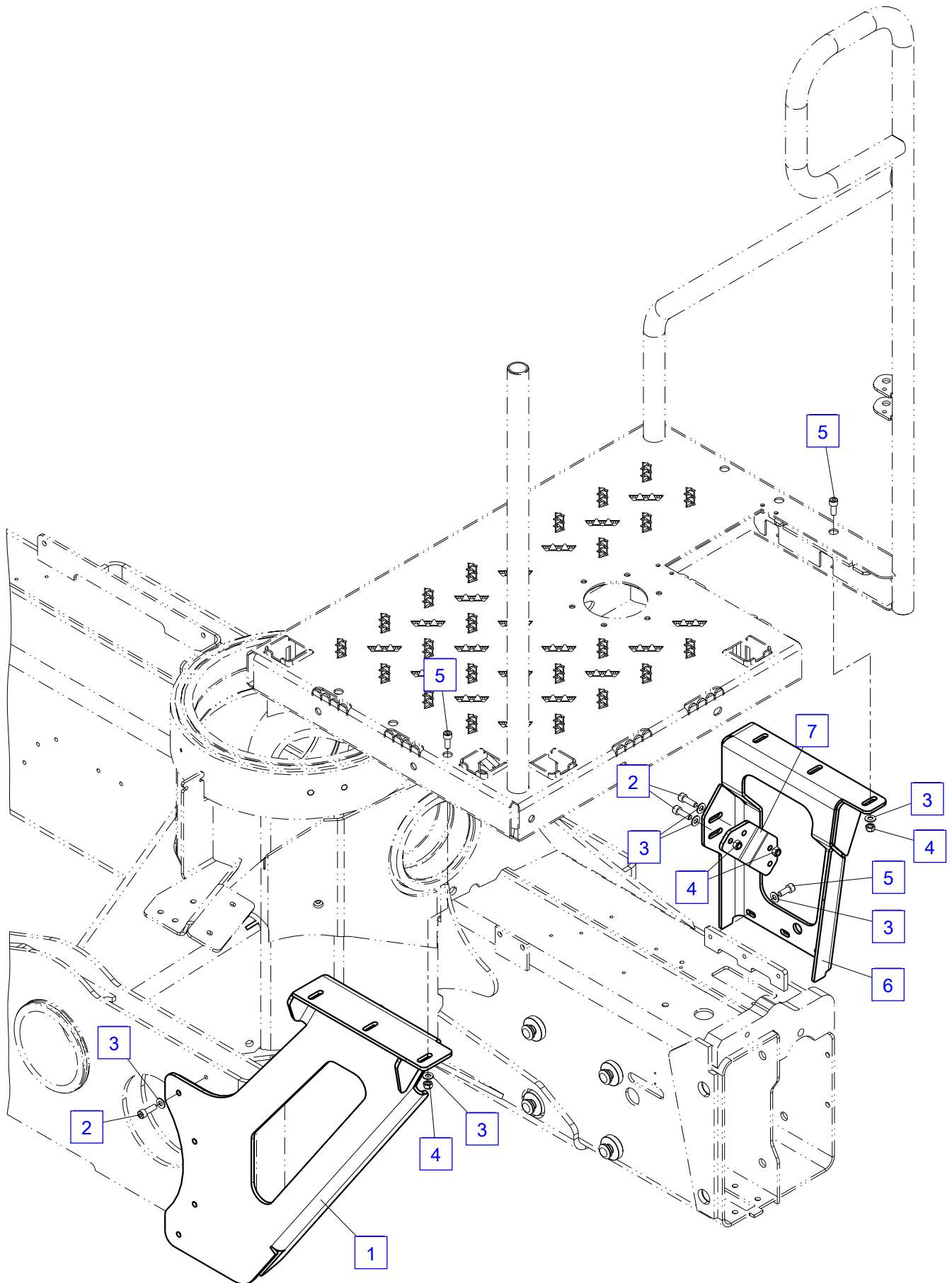
Stabilizer plates

No.	Spare part	Qty.	Description	Dimension
1	HXE3506	1	Stabilizer plates	D 230
2	EA 412	1	Grease nipple	M 6x1 H1 71412
3	HBS3328	1	Bearing bush	d075xD091xL040
4	HBS3327	1	Cover	D114.3xd087.2xL010.0
5	ES 344	4	Screw	M6x20 DIN 933



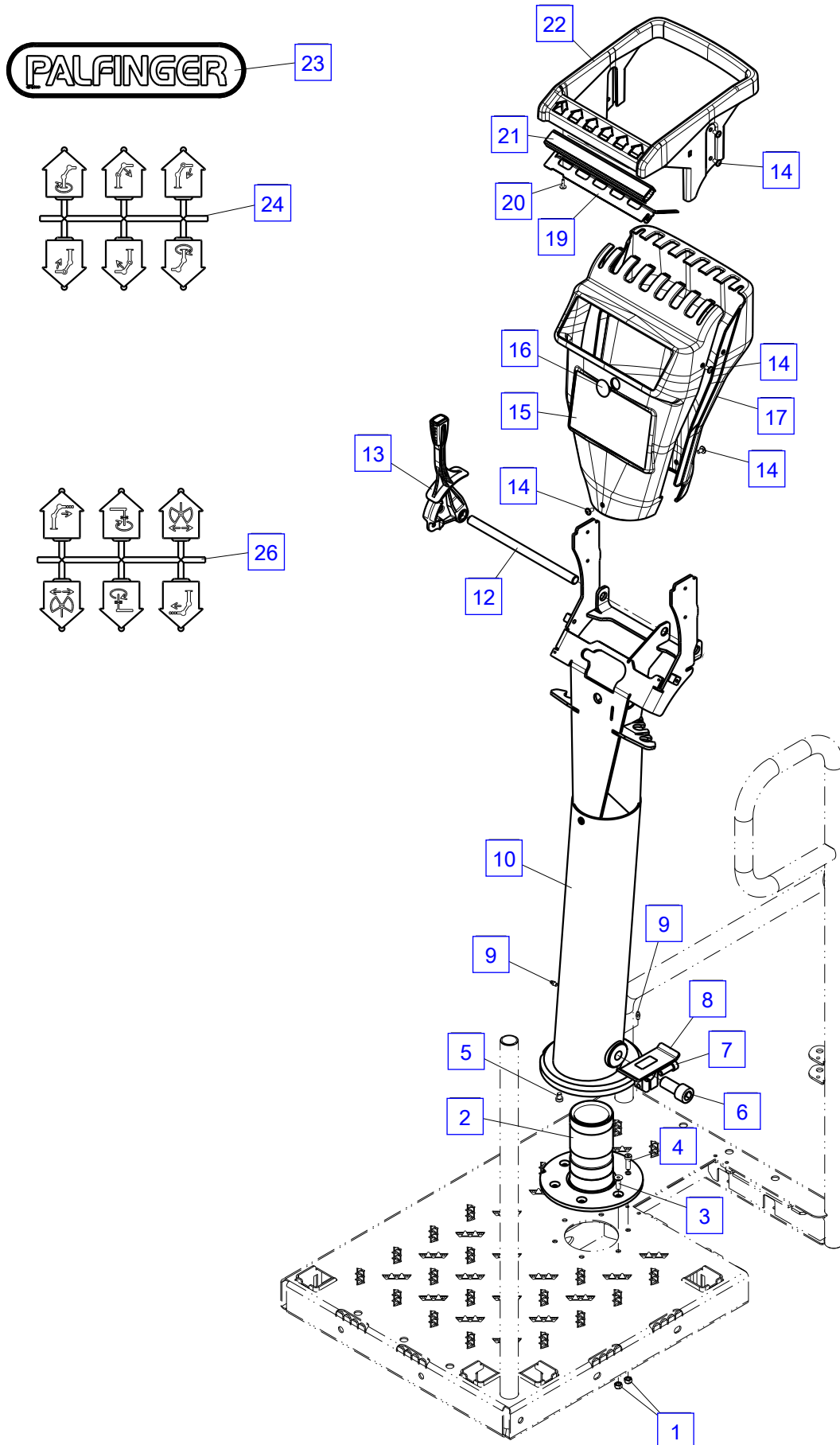
Attachments

No.	Spare part	Qty.	Description	Dimension
1	HXE3818	1	Bracket	
2	ES1462	8	Screw	M 8x25 ISO4762- 8.8
3	EK 003	17	Washer	D 8.4 ISO7089
4	EM 026	10	Nut	M 8 DIN 985
5	ES 265	9	Screw	M 8x20 ISO4762- 8.8
6	HXE3833	1	Bracket	
7	HA11316	1	Bearer	



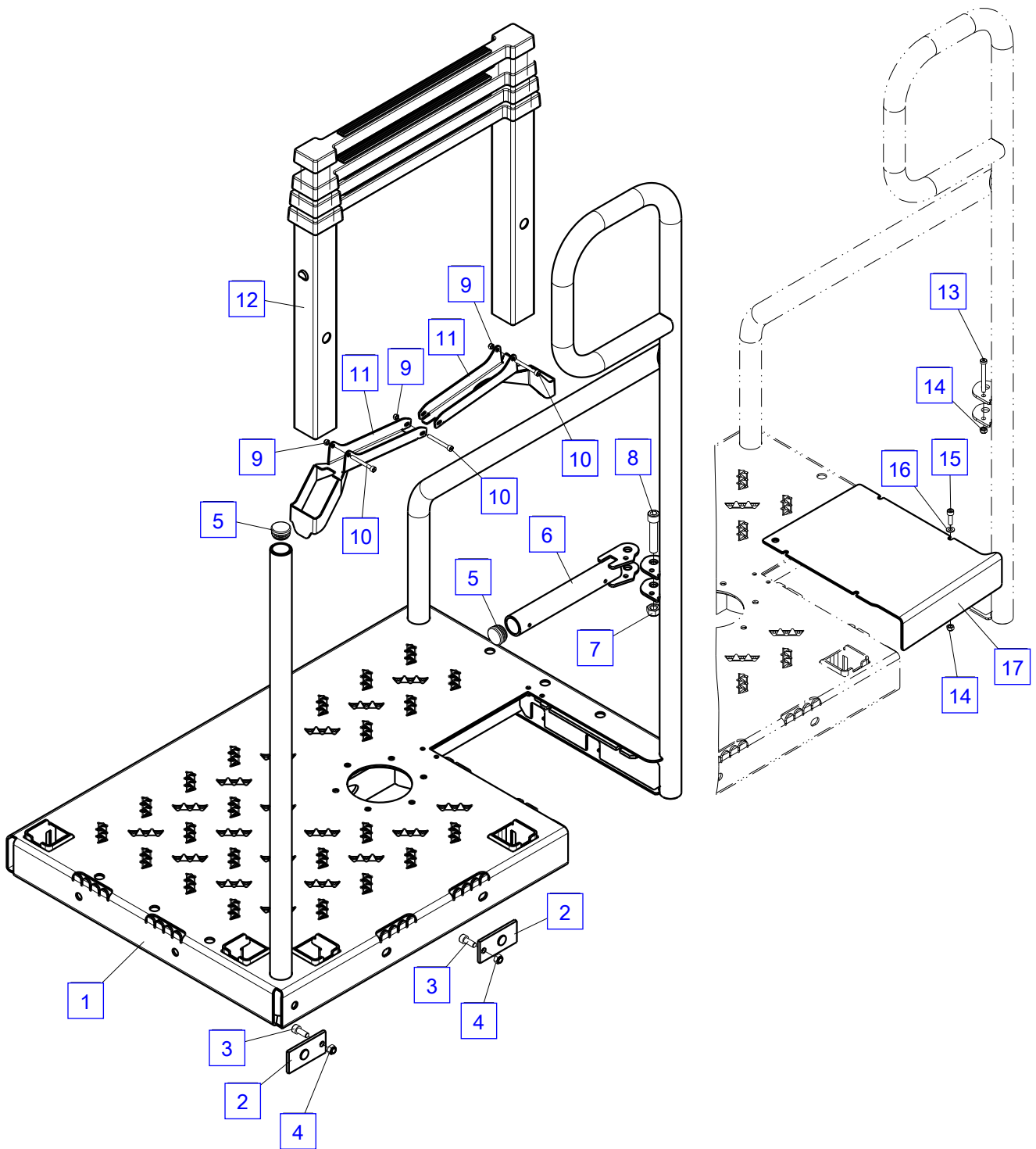
High stand platform

No.	Spare part	Qty.	Description	Dimension
1	EM 026	6	Nut	M 8 DIN 985
2	KSS005B-A	1	Bearing	
3	ES 297	5	Screw	M 8x25 ISO14581- 8.8
4	ES1532	1	Screw	M 8x25 DIN 7984
5	ES1089	2	Screw	M 8x10 DIN 7984 8.8
6	ES 541	1	Screw	M 20x45 DIN 912
7	ES 031	1	Screw	M 10x30 ISO4762-10.9
8	BH049-04	1	Pedal	
9	EA 412	2	Grease nipple	M 6x1 H1 71412
10	KSS005A-A	1	High stand platform	
12	HI4103	1	Pin	
13	HH 592	1	Control lever, blue	
13	HH 593	0	Control lever, yellow	
14	ES2453	8	Screw	M 6x12 ISO 7380
15	HX 331	1	Cover	
16	EK2592	1	Cover	
17	HX 330	1	Cover	
19	HA11531	1	Bearer	
20	ES2484	2	Screw	D 4x16
21	HX 073	1	Cover	
22	HX 329	1	Cover	
23	EB2600	1	Company decal Palfinger	198x45 mm
24	EK 517	1	Symbol sign	
26	EK 519	1	Symbol sign	



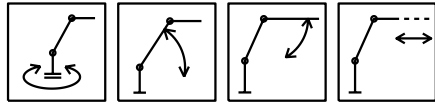
Railing

No.	Spare part	Qty.	Description	Dimension
1	KSS005C-A	1	High stand platform	
2	KSS005F-A	2	Clamping ledge	
3	ES 265	2	Screw	M 8x20 ISO4762- 8.8
4	EM 026	2	Nut	M 8 DIN 985
5	EK 159	2	Plug	
6	KSS005E-A	1	Stirrup	
7	EM 023	1	Nut	M 12 DIN 985
8	ES 647	1	Screw	M 12x60 ISO4762- 8.8
9	EM 040	3	Nut	DIN985-8 M5
10	ES 319	3	Screw	M 5x55 ISO4762- 8.8
11	KSS005G-B	2	Bracket	
12	EZ4769A	1	Railing	
13	ES 106	1	Screw	M 6x55 DIN 7984
14	EM 014	5	Nut	DIN 985-8 M 6
15	ES 019	4	Screw	M 6x20 ISO4762-10.9
16	EK 190	4	Washer	DIN134-06-ST
17	KSS005J01	1	Bottom plate	

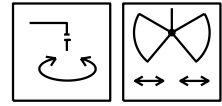


Cable pull

No.	Spare part	Qty.	Description	Dimension
1	EZ 643	0	Cable pull	L=1700 mm



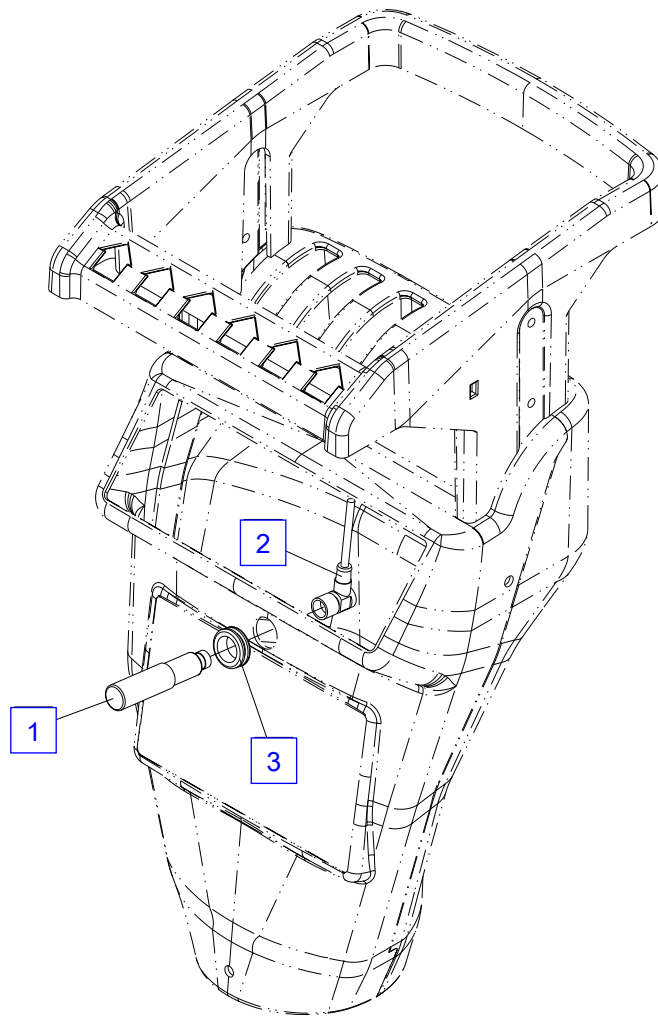
EZ 643 EZ 643 EZ 643 EZ 643



EZ 643 EZ 643

Sensor

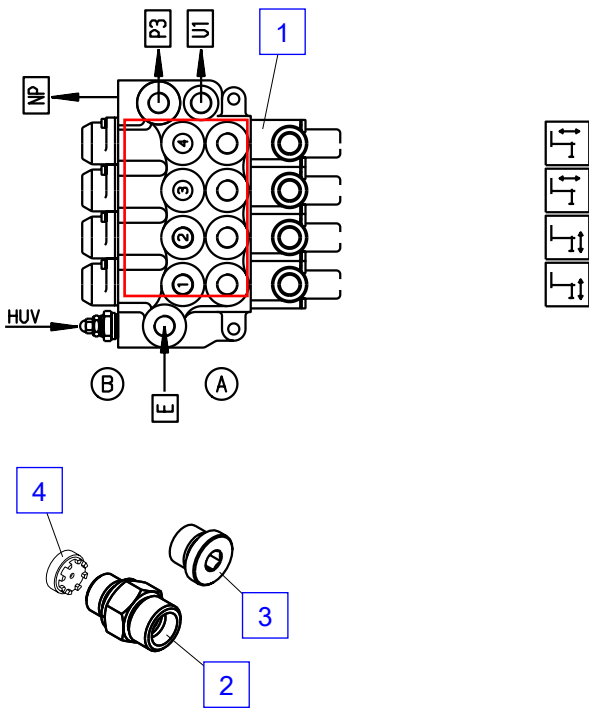
No.	Spare part	Qty.	Description	Dimension
1	EEA6396	1	Sensor Closer	M 18x1 - M 12x1
2	EEA2814	1	Angle plug with cable (4-pole)	M 12 - 2 m
3	EEA9810	1	Rubber grummet	



Control valve R2X,R3X,R4X

No.	Spare part	Qty.	Description	Dimension
1	EV4411	1	Control valve see page 0200.01301-A	VDM07
2	EA 039	7	Fitting	GE 12S R3/8"-ED
2	HLA 376	1	Fitting	GE 18L R3/8"-ED
3	EA 746	2	Locking screw	vsti M 18x1.5
4	EZ3289	2	Restrictor	2.2 mm

VDM07-->RSQ240



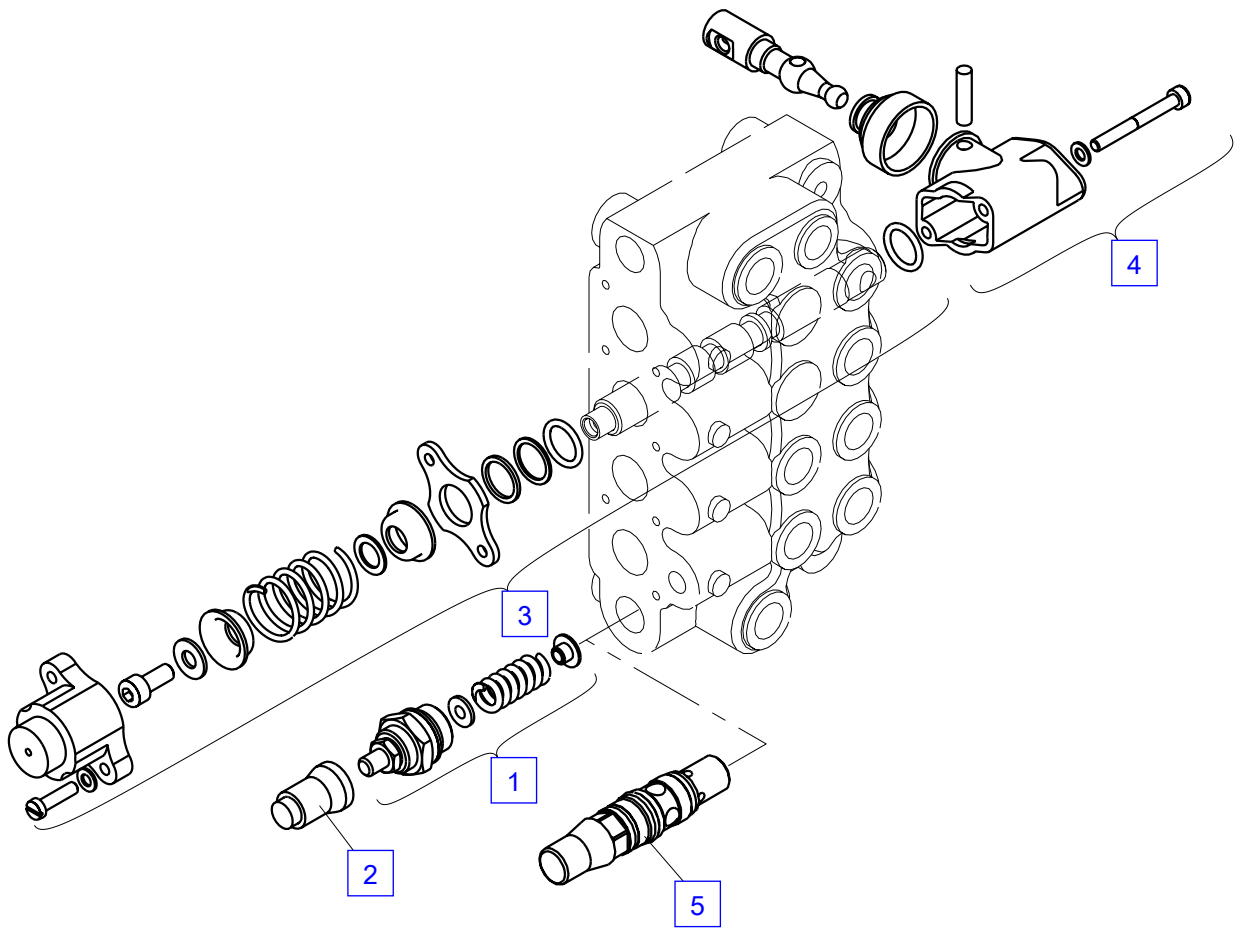
/ EV-4411						
	Valve	Pressure/bar	Fitting	Restrictor	Lever	Element
HUV	EV-990	160				
P	E		EA-039			
	P3		EA-746			
	U1		HLA-376			
T	NP		EA-746			
1	A	----	EA-039	-		
	B	----	EA-039	-		
2	A	----	EA-039	-		
	B	----	EA-039	-		
3	A	----	EA-039	EZ3289		
	B	----	----	-		
4	A	----	EA-039	EZ3289		
	B	----	----	-		

Control valve

- KSC = with adaptors and valves
- EV = KSC without adaptors and valves
- HUV = Main relief valve
- P,T = Supply connections
- O = with overload protection
- x = open center - spool must be ordered separately

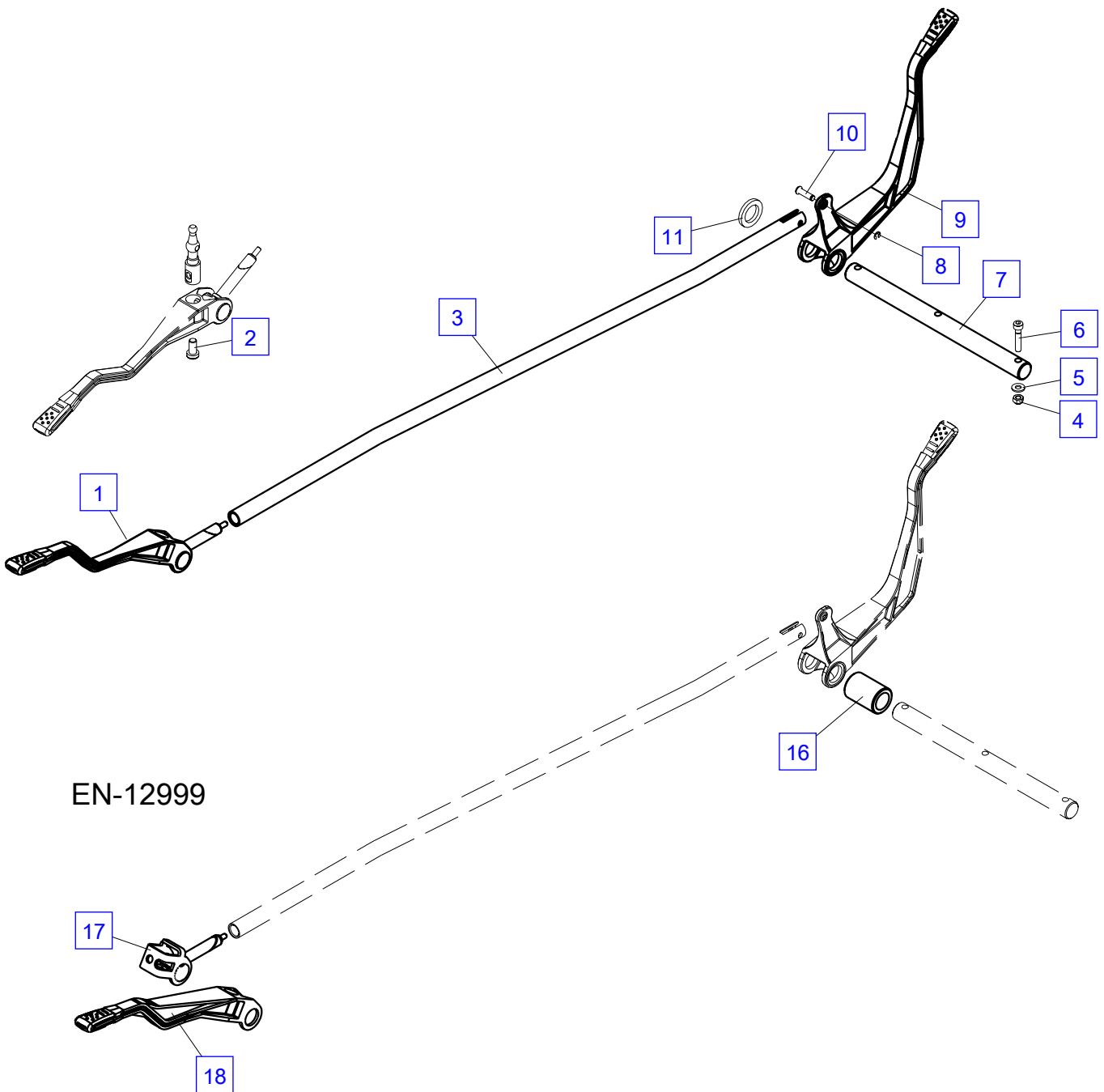
Control valve - details

No.	Spare part	Qty.	Description	Dimension
1	EV 990	1	Main relief valve, cpl.	
2	EK 715A	1	Sealing cap	
3	EZ3291	4	Spring housing, cpl.	
4	EZ3292	4	Lever support, cpl.	
5	EV5857	1	Main relief valve	



Control system

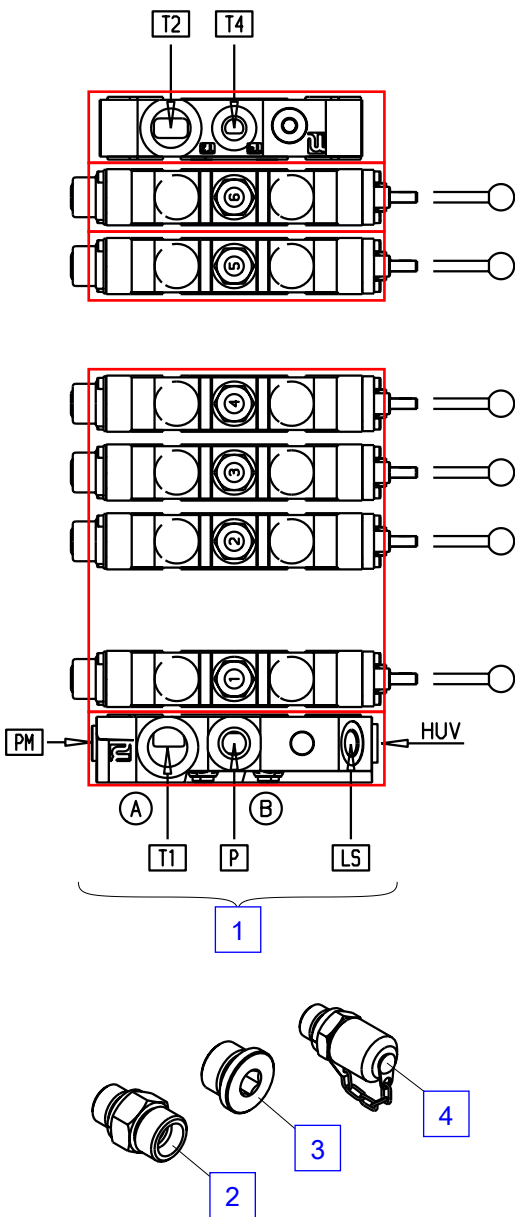
No.	Spare part	Qty.	Description	Dimension
1	HH 520	0	Control lever	
2	ES 963	0	Screw	M 8x16 ISO7380
3	HSV 212	0	Control rod	
4	EM 014	3	Nut	DIN 985-8 M 6
5	EK 043	3	Washer	D 6.4 DIN 134
6	ES 080	3	Screw	M 6x35 DIN 6912
7	HI2735	1	Control axle	
8	EQ 116	0	Safety washer	D4 DIN6799
9	HH 513	0	Control lever	
10	HI2603	0	Pin	
11	EK 379	0	Washer	D 21 DIN 1441
16	HBS3117	1	Spacer	
17	HH 478	1	Control lever	
18	HH 519	1	Control lever	



EN-12999

Control valve (6-sections) FL,I

No.	Spare part	Qty.	Description	Dimension
1	EV6267	1	Control valve see page 0231.0...	RSQ240
2	EA 053	1	Fitting	GE 28 L R1/1"
2	EA 074	1	Fitting	GE 16S R1/2"-ED
2	EA1018	1	Fitting	GE 25 S R3/4"
2	EA1514	1	Fitting	GE 18-LR 1/1-ed
2	EA1646	0	Fitting	GE 12K R1/2" ED
	EA1645	1	Circlip	WEO 1/2"
3	EA 261	1	Locking screw	VSTI R1/2"
4	EA 716	1	Dial gauge connection	EMA3 R1/4"



/ EV6267						
	Valve	Pressure/bar	Fitting	Restrictor	Lever	Element
HUV	EV-5714					
P	PM		EA1018			
	LS		EA 089, EA 716			EV...
	T1		EA 053			
T	T2		EA1514			EV...
	T4		EA 074			

6	A	EV4546	---	EA1646	-	HH 511	EV-6069
	B	EV4546	---	EA1646	-		

5	A	EV4546	---	EA1646	-	HH 511	EV-6069
	B	EV4546	---	EA1646	-		

4	A	EV4546	---	EA1646	-	HH 511	EV-6075
	B	EV4546	---	EA1646	-		

3	A	EV4935	---	EA1646	-	HH 511	EV-6072
	B	EV5117	---	EA1646	-		

2	A	EV4935	---	EA1646	-	0	HH 511	EV-6074
	B	EV5117	---	EA1646	-			

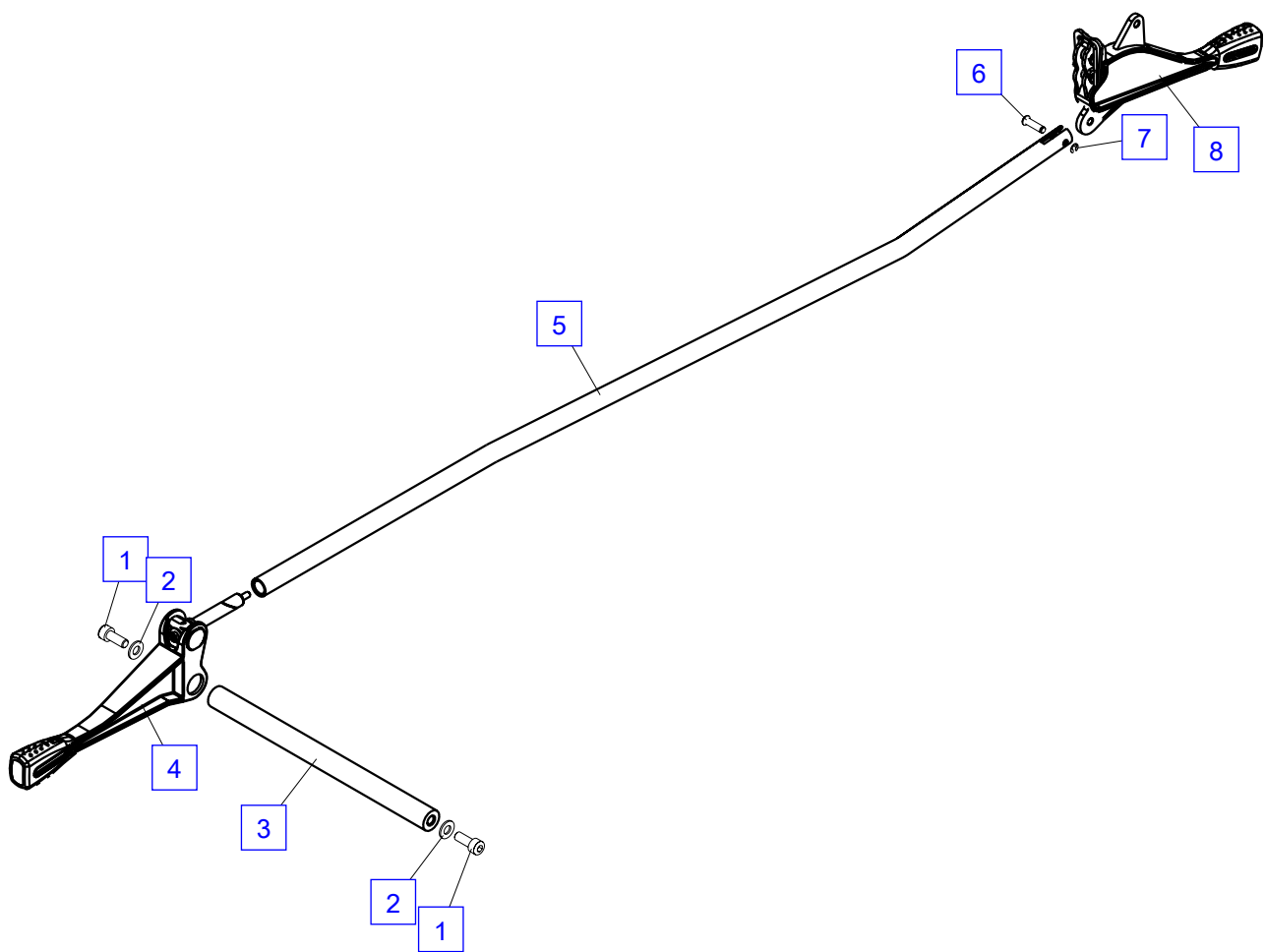
1	A	EV4560	---	EA 590	HD 073	HH 515	EV-6068
	B	EV4560	---	EA 590	HD 073		

Control valve

- KSC = with adaptors and valves
- EV = KSC without adaptors and valves
- HUV = Main relief valve
- P, T = Supply connections
- O = with overload protection
- x = open center - spool must be ordered separately

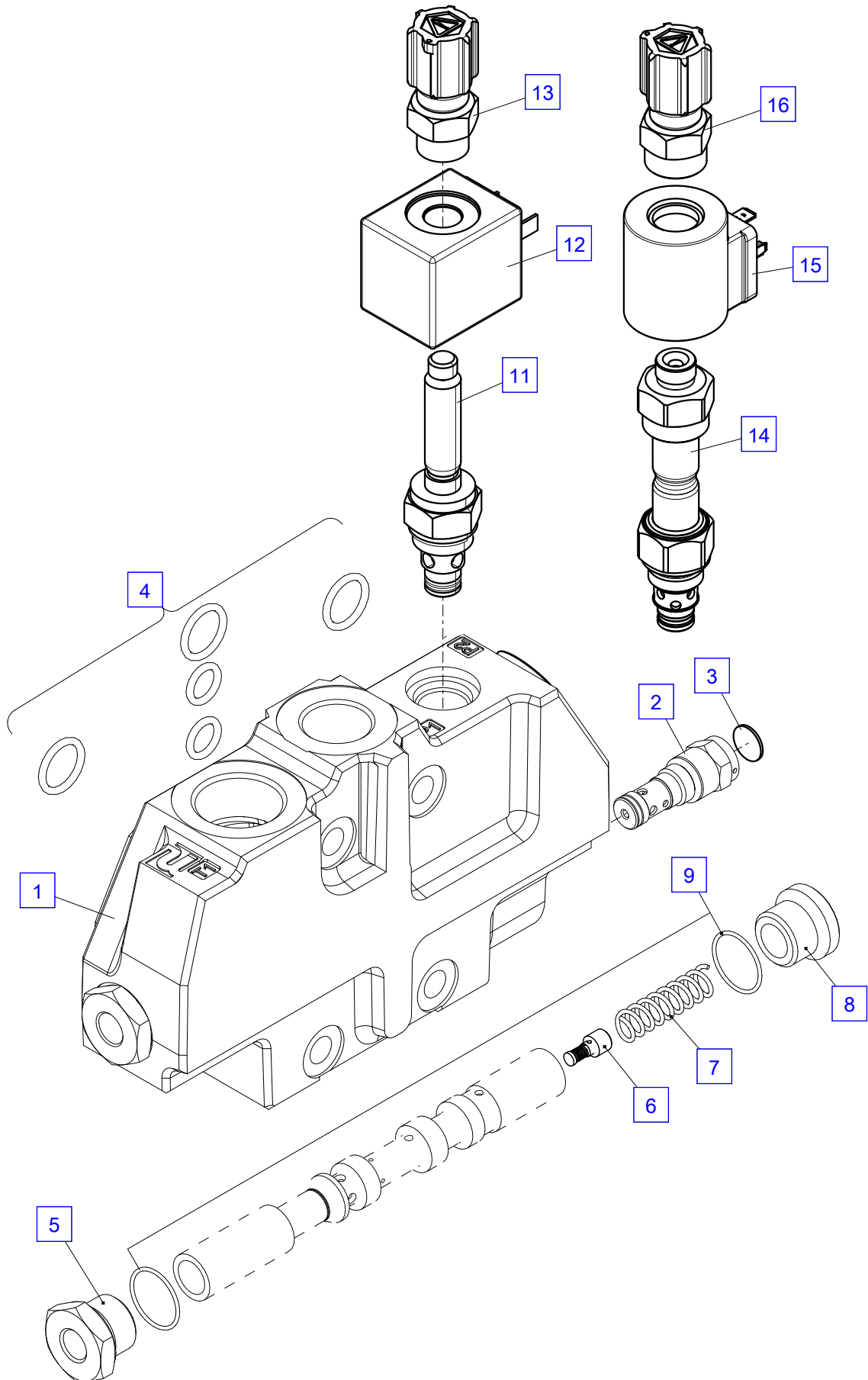
Control system

No.	Spare part	Qty.	Description	Dimension
1	ES 265	2	Screw	M 8x20 ISO4762- 8.8
2	EK 003	2	Washer	D 8.4 ISO7089
3	HI 827	1	Control axle	
4	HH 507	1	Control lever, blue	
4	HH 509	0	Control lever, yellow	
5	HSV 211	0	Control rod	
6	HI2603	0	Pin	
7	EQ 116	0	Safety washer	D4 DIN6799
8	HH 511	0	Control lever, yellow	
8	HH 515	1	Control lever, blue	



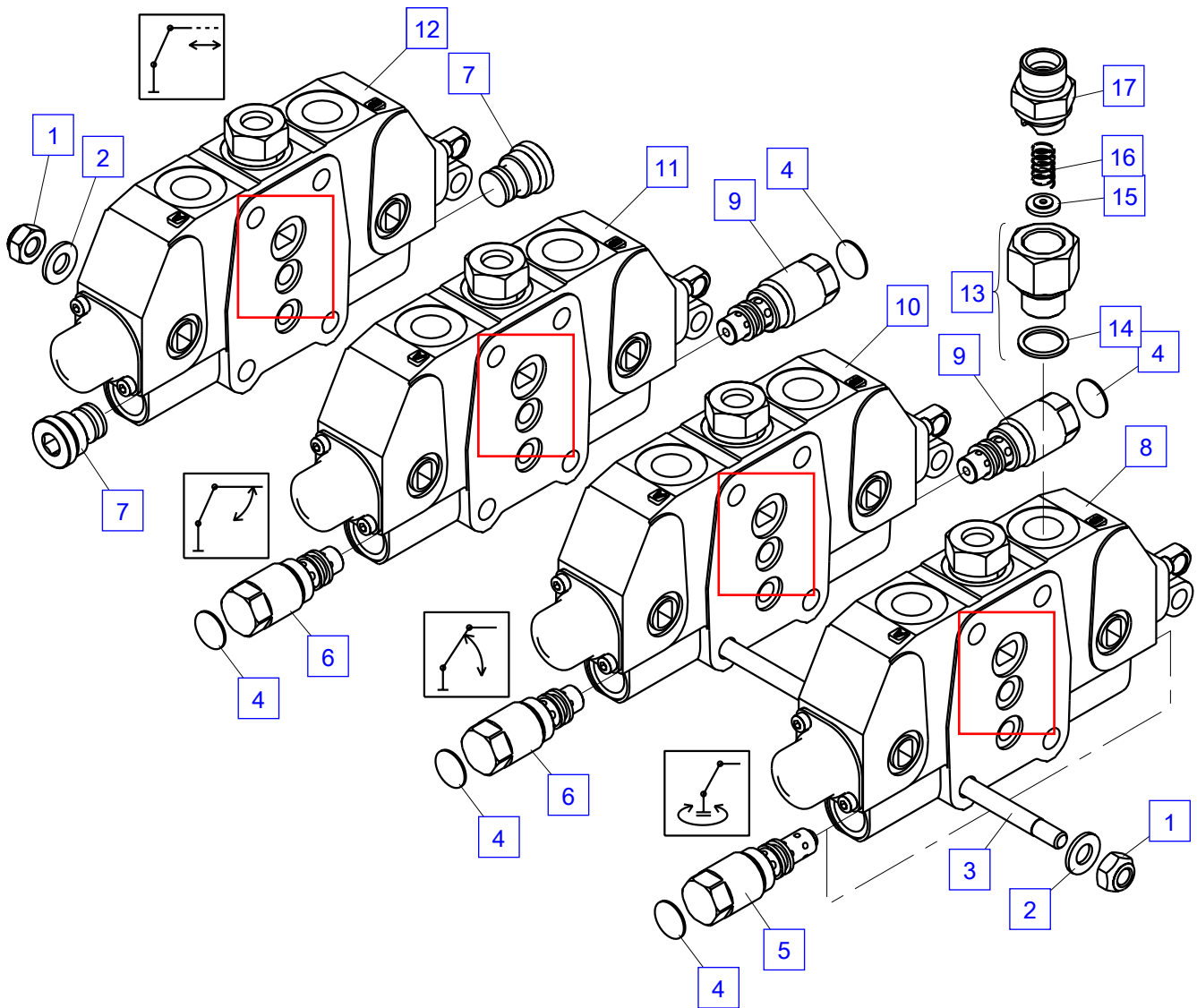
Inlet element

No.	Spare part	Qty.	Description	Dimension
1	EV4556	1	Inlet element	RSQ 240
2	EV5714	1	Main relief valve	35-350 bar
	TD 955	1	Seal kit	
3	EB1976	1	Lead seal	
4	TD 959	1	Seal kit	
5	EA1828	1	Reduction	RI 1/2*1/4"
6	EV4557	1	Check valve	
7	EF 148	1	Spring	
8	EA1827	1	Locking screw	
9	TD 953	1	Seal kit	
11	EV4615	1	Solenoid valve	
	TD 239	1	Seal kit	
12	EV4710	1	Magnet coil d=13 mm	26V
13	HLA1123	1	Protecting cap	
14	EV4615B	1	Solenoid valve	
15	EEA15740	1	Magnet coil d=16 mm	24 V
16	EV8790	1	Protecting cap	



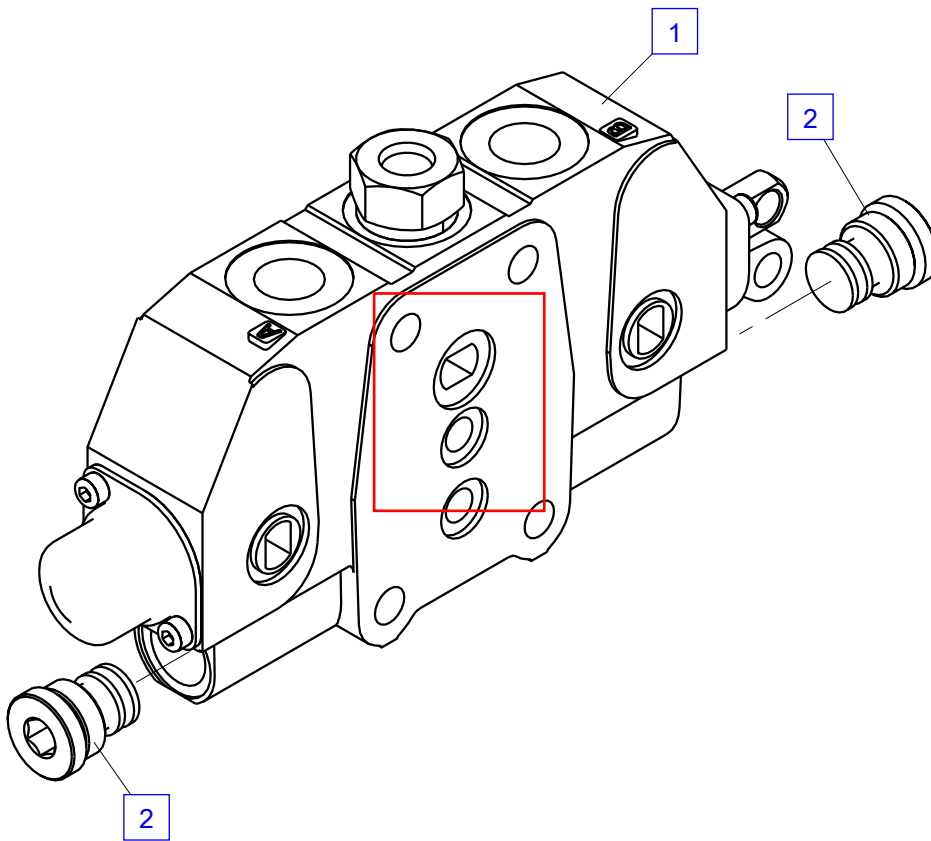
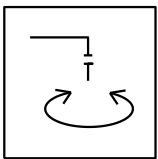
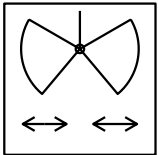
Separate element

No.	Spare part	Qty.	Description	Dimension
1	EM 021	4	Nut	DIN 985 M10 CL8 ZB
2	EK 007	4	Washer	D 10.5 ISO7089
3	ES1406	1	Anchor bolt, cpl. (6-elements)	
4	EB 925	6	Lead seal	
5	EV4560/...	2	Pressure relief valve	-->300 bar
	TD 956	1	Seal kit	
6	EV4935/...	2	Relief pressure valve without anti cavitation valve	-->300 bar
	TD 956	1	Seal kit	
7	EV4546	2	Plug	
	TD 956	1	Seal kit	
8	EV6068	1	Control valve see page 0231.04001-A	133SCZ
	EV6058	1	Control spool	133SCZ
9	EV5117/...	2	Relief pressure valve without anti cavitation valve	300 bar-->
	TD 956	1	Seal kit	
10	EV6074	1	Control valve for overload protection Linear lever control see page 0231.04001-A	135XD
	EV6064	1	Spool	135XD
11	EV6072	1	Control valve see page 0231.04001-A	135AD
	EV6062	1	Spool	135AD
12	EV6075	1	Control valve see page 0231.04001-A	135ZD
	EV6065	1	Spool	135ZD
13	HLA 372	2	Fitting	
14	ED 170	2	Seal ring	R 1/2"
15	HD 073	2	Restrictor	D 2.0 mm
16	EF 008	2	Spring	D 11x0.8x22
17	EA 590	2	Fitting	GE 12 SR 1/2"ED



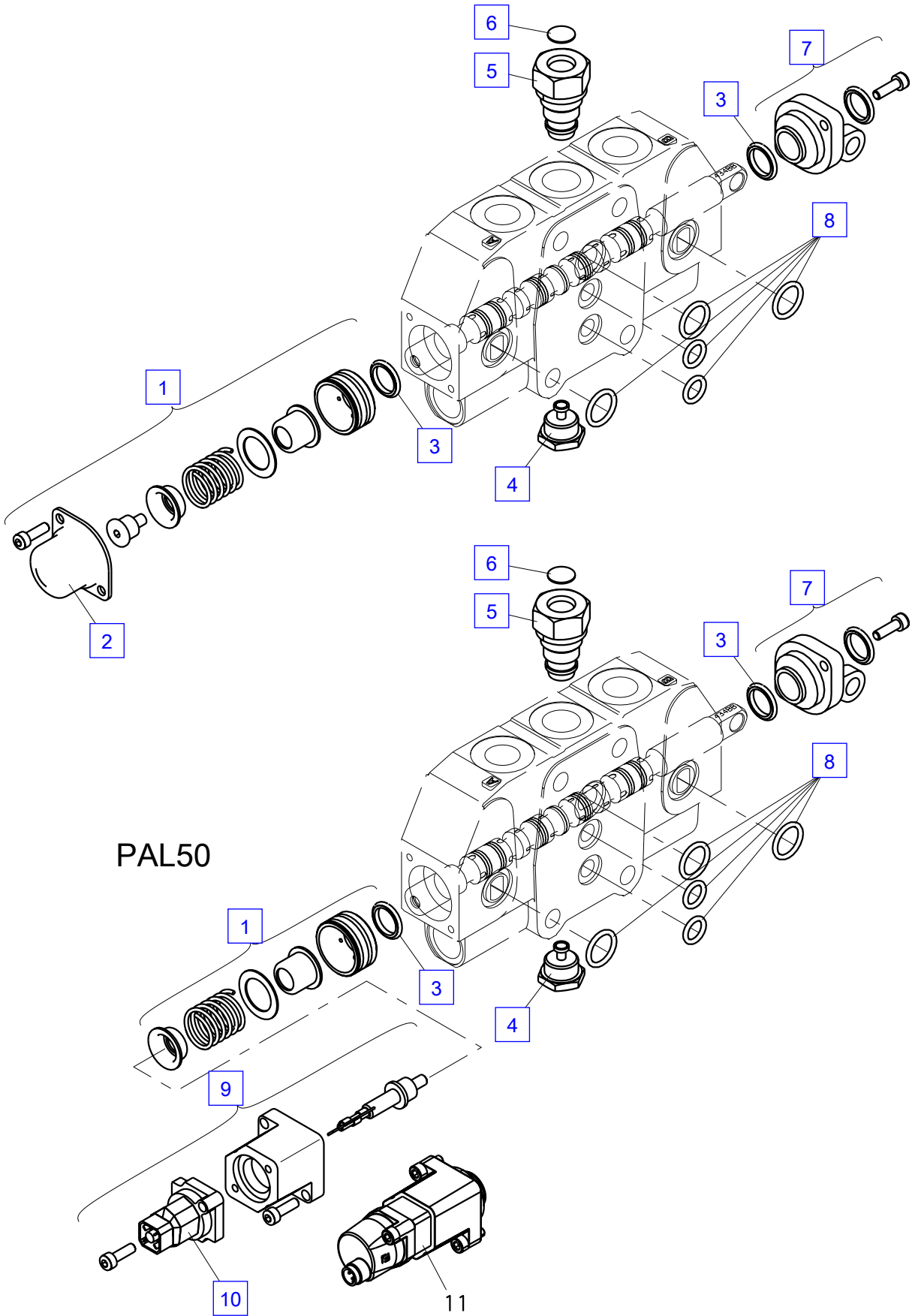
Separate element

No.	Spare part	Qty.	Description	Dimension
1	EV6069	1	Control valve see page 0231.04001-A	134BC
	EV6059	1	Spool	134BC
2	EV4546	2	Plug	
	TD 956	1	Seal kit	



Control valve - details

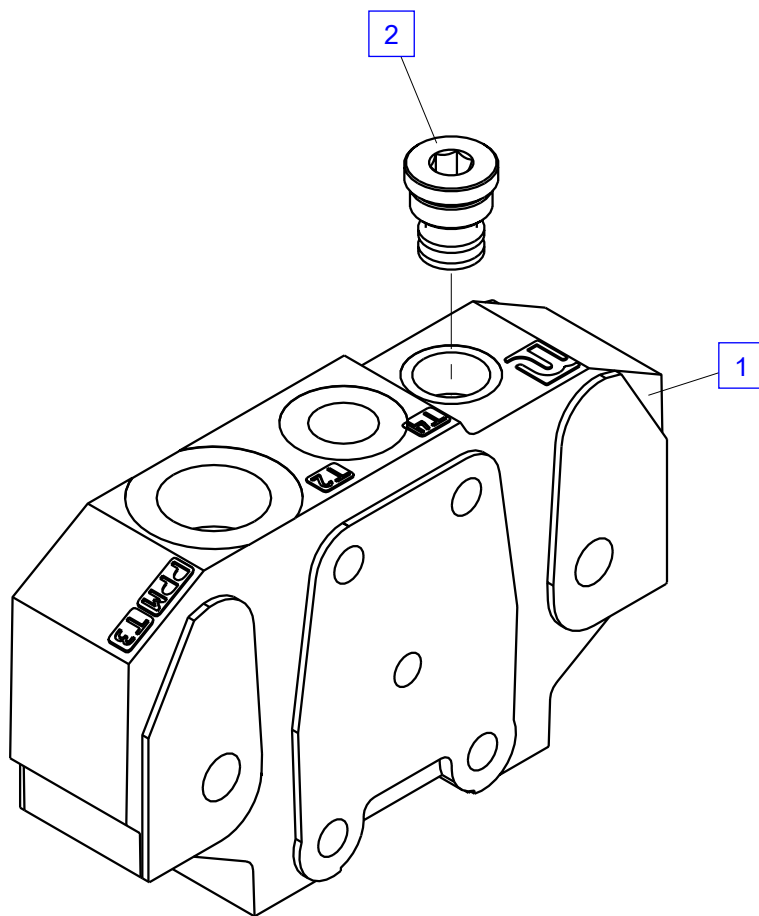
No.	Spare part	Qty.	Description	Dimension
1	EK 881	1	Spring cap	RSQ 240
2	EV4537	1	Spring cap	RSQ 240
3	ED 076	2	O-ring with back up ring	
4	EV4543	1	One way restrictor	RSQ 240
	TD 964	1	Seal kit	
5	EV4542	1	Check valve	RSQ 240
	TD 964	1	Seal kit	
6	EB1976	1	Lead seal	
7	EV4534	1	Lever support, cpl.	RSQ 240
8	TD 959	1	Seal kit	
9	EV7372	1	Spool position control	RSQ 240
10	EV7370	1	Spool position control	



PAL50

End element

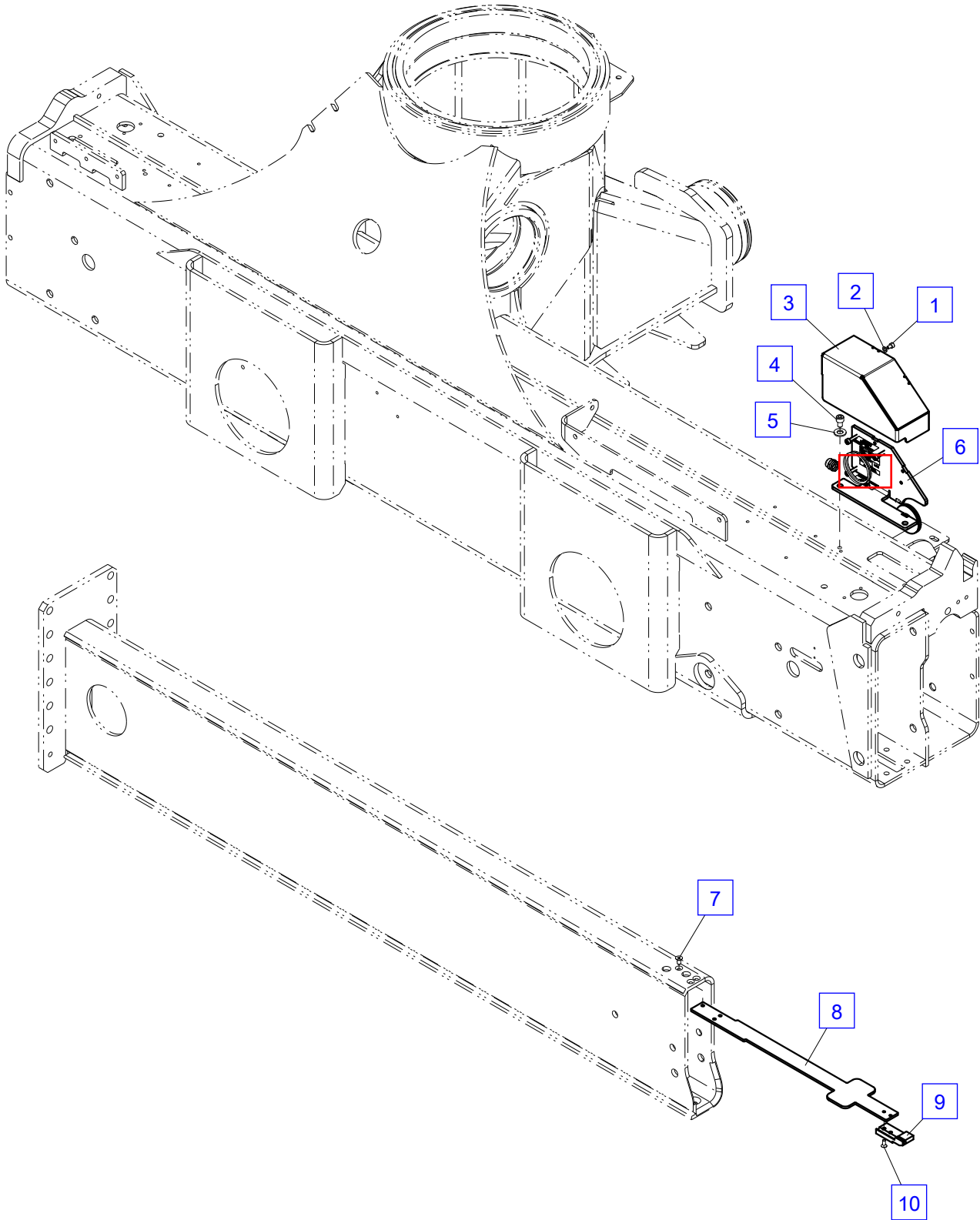
No.	Spare part	Qty.	Description	Dimension
1	EV4549	1	End element	RSQ 240
2	EV4546	1	Plug	
	TD 956	1	Seal kit	



Support control HPSC

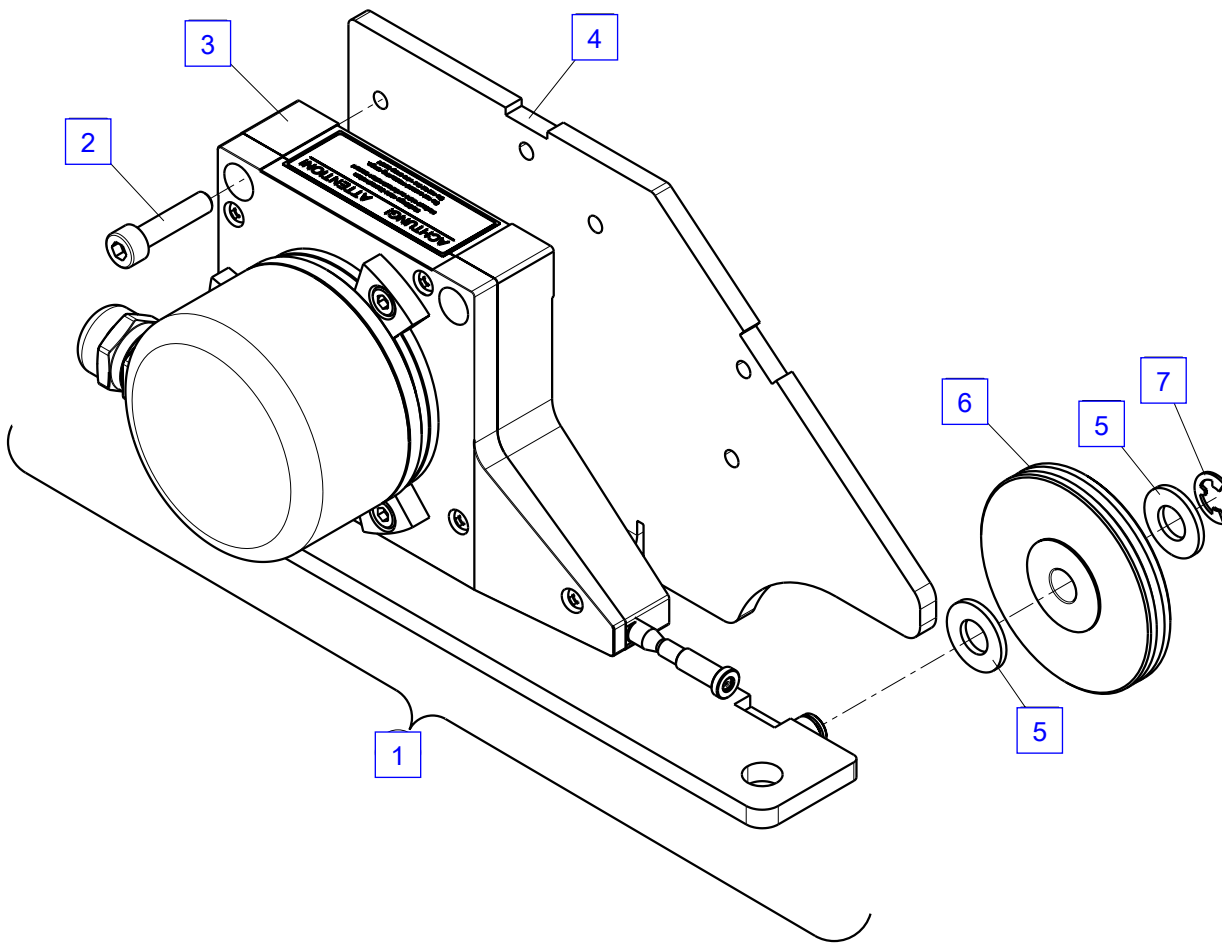
No.	Spare part	Qty.	Description	Dimension
1	ES 107	3	Screw	M 5x8 ISO4762- 8.8
2	EK 153	3	Washer	DIN134-05-ST
3	HA11790	1	Cover	
4	ES 374	2	Screw	M 8x12 ISO4762- 8.8
5	EK 007	2	Washer	D 10.5 ISO7089
6	HXE5735	1	Detection kit 4-20 mA see page 0300.01201-A	Measuring range 3500 mm Cable 5 m
7	ES 419	3	Screw	M6x12 ISO14581- 8.8
8	HT11150	1	Bearer	
9	EK2636	1	Guide block	
10	ES 476	2	Screw	M5x12 - 8.8 - ISO14581

R4X



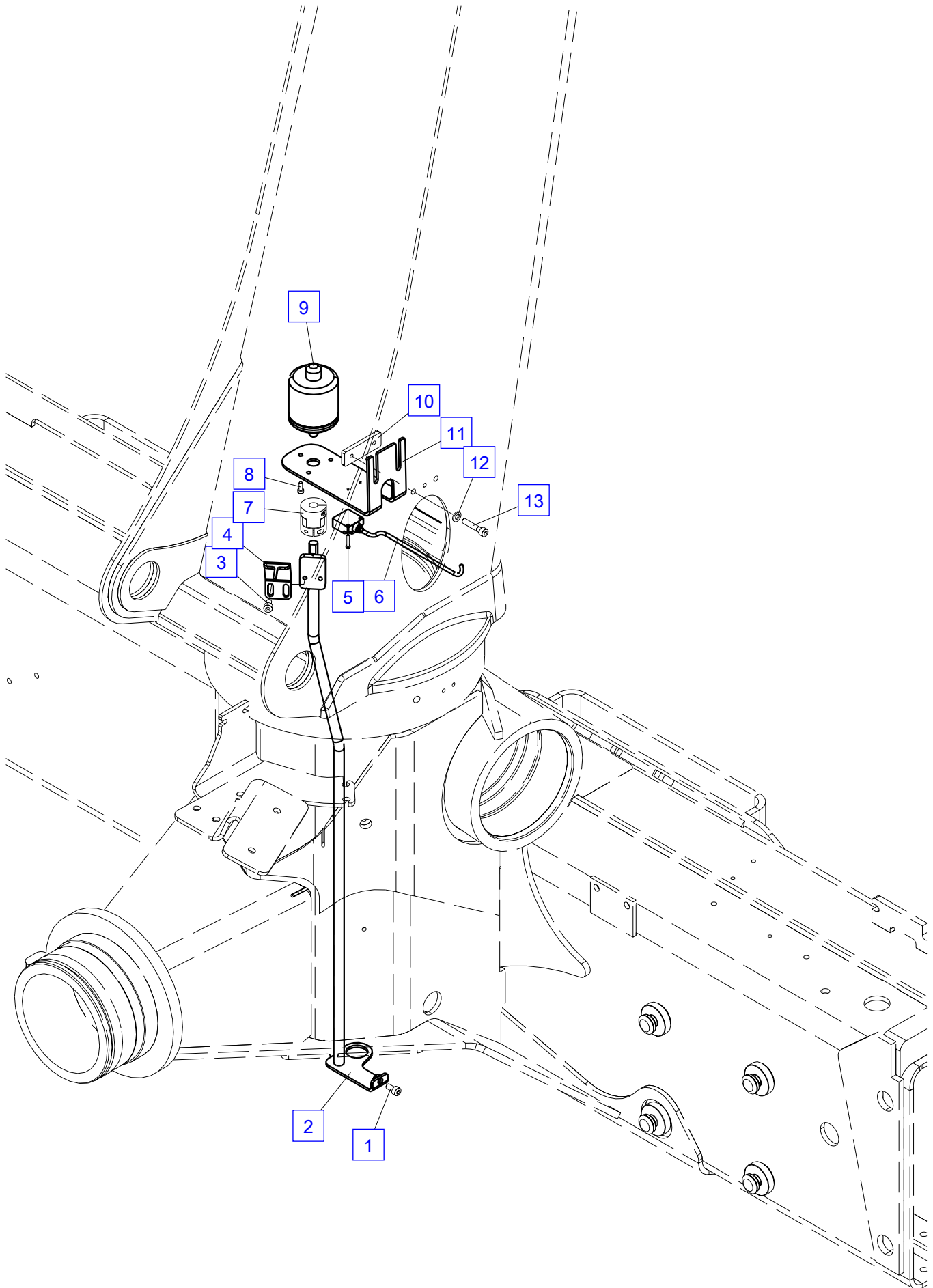
Rope length control

No.	Spare part	Qty.	Description	Dimension
1	HXE5735	1	Detection kit 4-20 mA	Measuring range 3500 mm Cable 5 m
2	ES 812	3	Screw	M 5x22 ISO4762- 8.8
3	EEA10029	1	Rope length sensor 4-20 mA	Measuring range 3500 mm Cable 5 m
4	HXE5736	1	Bracket	
5	EK 003	2	Washer	D 8.4 ISO7089
6	HR 681	1	Rope pulley	
7	EQ 017	1	Safety washer	D 6 DIN 6799



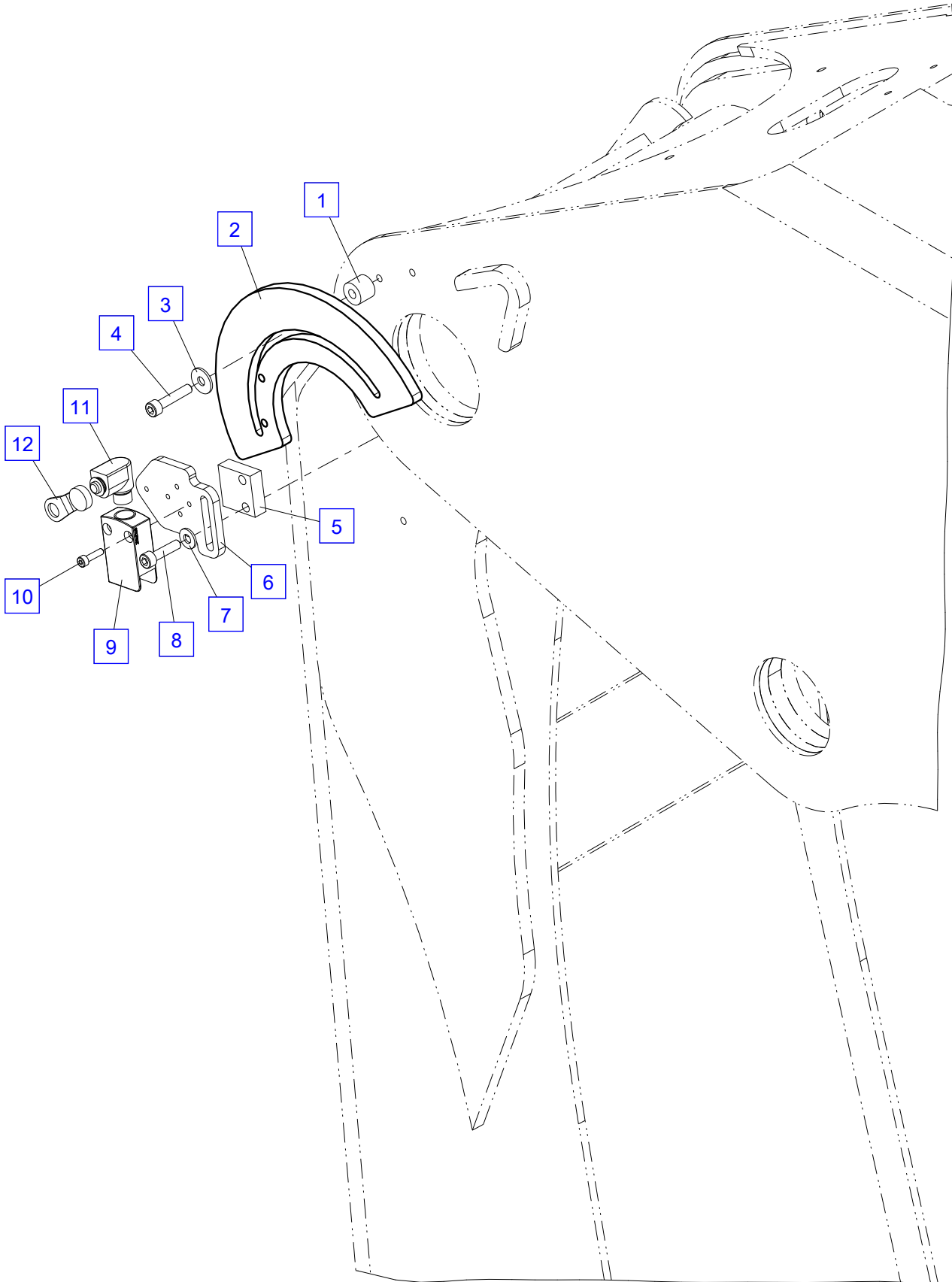
Encoder

No.	Spare part	Qty.	Description	Dimension
1	ES1150	1	Screw	M 6x12 - 8.8 - ISO4762
2	HXE2984	1	Carrier	
3	ES 414	2	Screw	M6x10 ISO4762 - 8.8
4	HA12004	1	Stop buffer	
5	ES 412	2	Screw	M 3x16 DIN 84
6	EEA10020	1	Inductive switch Opener	4 m
7	EK1147A	1	Coupling	
8	ES 852	3	Screw	ISO4762 M 4 x 10
9	EEA13284	1	Shaft encoder with cable Can Kingdom	
10	HT8950	1	Fastening plate	L0060.0xB0020xS005
11	HA8932	1	Bearer	
12	EK 190	2	Washer	DIN134-06-ST
13	ES 087	2	Screw	M 6x30 - 8.8 - ISO4762



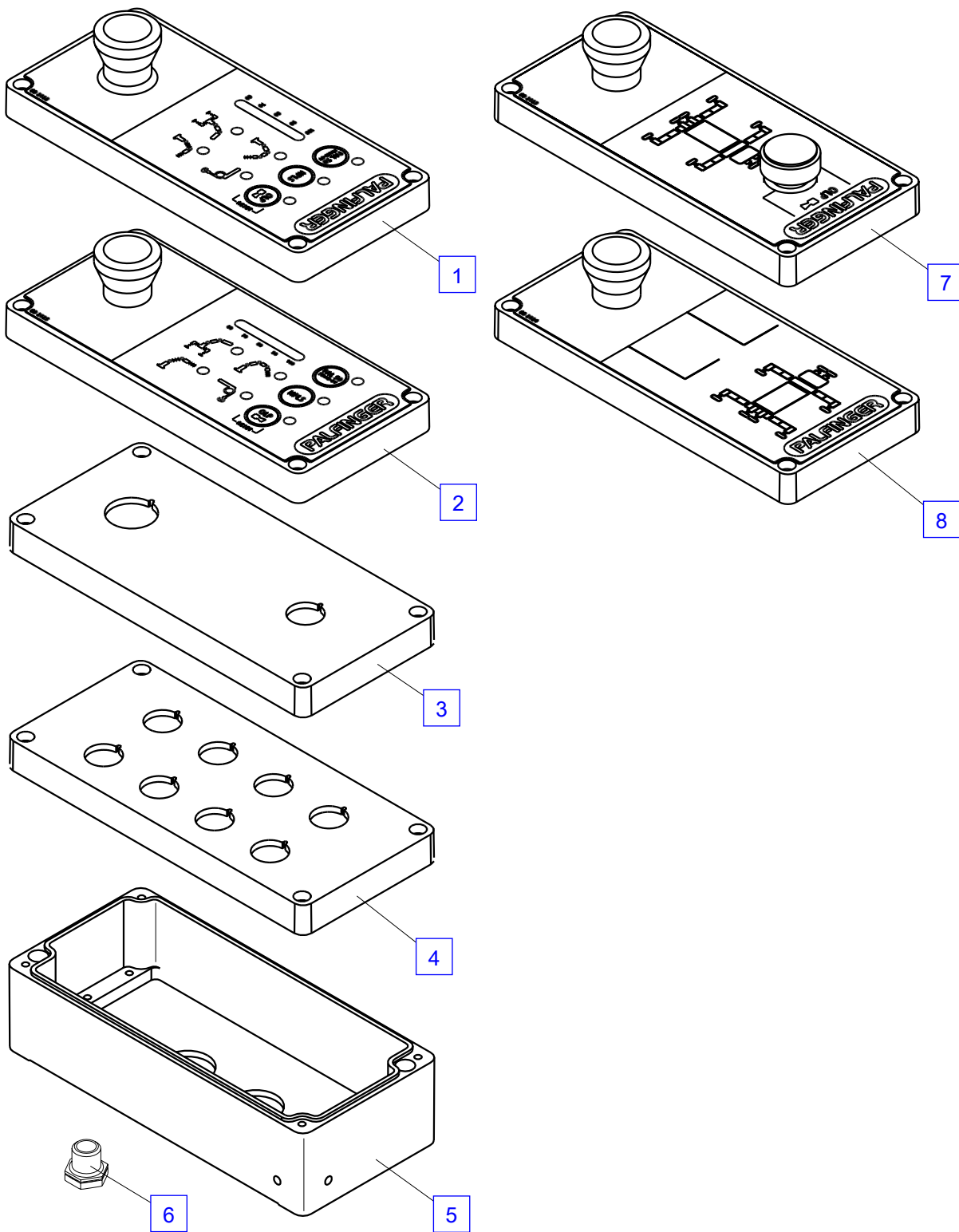
Transport position monitoring

No.	Spare part	Qty.	Description	Dimension
1	HBS3595	2	Spacer	
2	HT10901	1	Bracket	
3	EK 178	2	Washer	ISO7093-2-06-140HV
4	ES 087	2	Screw	M 6x30 - 8.8 - ISO4762
5	HTR7060	1	Spacing piece	10 mm
5	HTR7057	1	Spacing piece	1 mm
5	HTR7058	1	Spacing piece	2 mm
5	HTR7059	1	Spacing piece	4 mm
6	HT16946	1	Fastening plate	
7	EK 043	2	Washer	D 6.4 DIN 134
8	ES 175	2	Screw	M 6x16 ISO4762- 8.8
8	ES 855	2	Screw	M 6x25 ISO4762- 8.8
8	ES 087	2	Screw	M 6x30 - 8.8 - ISO4762
8	ES 856	2	Screw	M 6x35 ISO4762- 8.8
8	ES 105	2	Screw	M 6x40 ISO4762 10.9
9	EEA3942	1	Limit switch	
9	EEA3949	1	Connection element with cable	10 m
10	ES 853	2	Screw	M4x16 - 8.8 - ISO4762
11	EEA3986A	1	Drive	
12	EEA3987	1	Roller lever Plastic	l=42.5 mm, b=5 mm



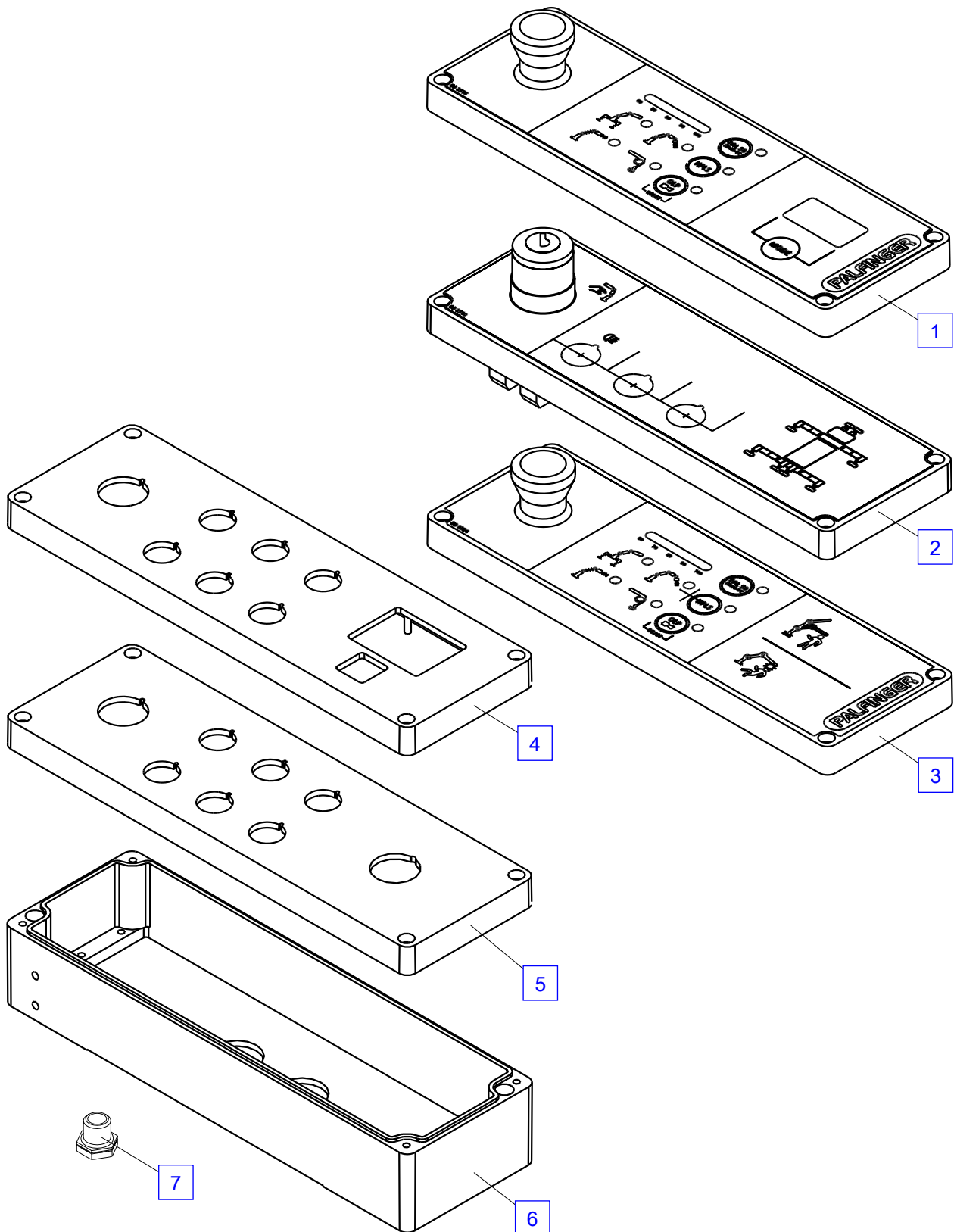
Terminal PT050 (175 mm)

No.	Spare part	Qty.	Description	Dimension
1	EEA5062	1	Terminal PT050	
2	EEA5061	1	Terminal PT050	
3	EEA 391	1	Cover	175x80x15
4	EEA 292	1	Cover	175x80x15
5	EEA3689	1	Base (Aluminium)	175x80x43.5
5	EEA3691	1	Base (PVC) (Plastic)	175x80x43.5
5	EEA6391	1	Base for breather membrane The membrane are not included in the delivery.	175x80x43.5
6	EEA3909	1	Breather valve	M 12x1.5
6	EEA6395	1	Ventilation membrane	M 12x1.5
7	EEA5406	1	Terminal ISC	
	EEA5767	1	Push button, green	
	EEA9829	1	Emergency cut-off button	
	EEA12480	1	Cover + Symbol sign EB2823	
	ES3628	4	Screw	M 4x45
8	EEA5378	1	Terminal ISC	
	EEA9829	1	Emergency cut-off button	
	EEA11520	1	Cover + Symbol sign EB2824	
	ES3628	4	Screw	M 4x45



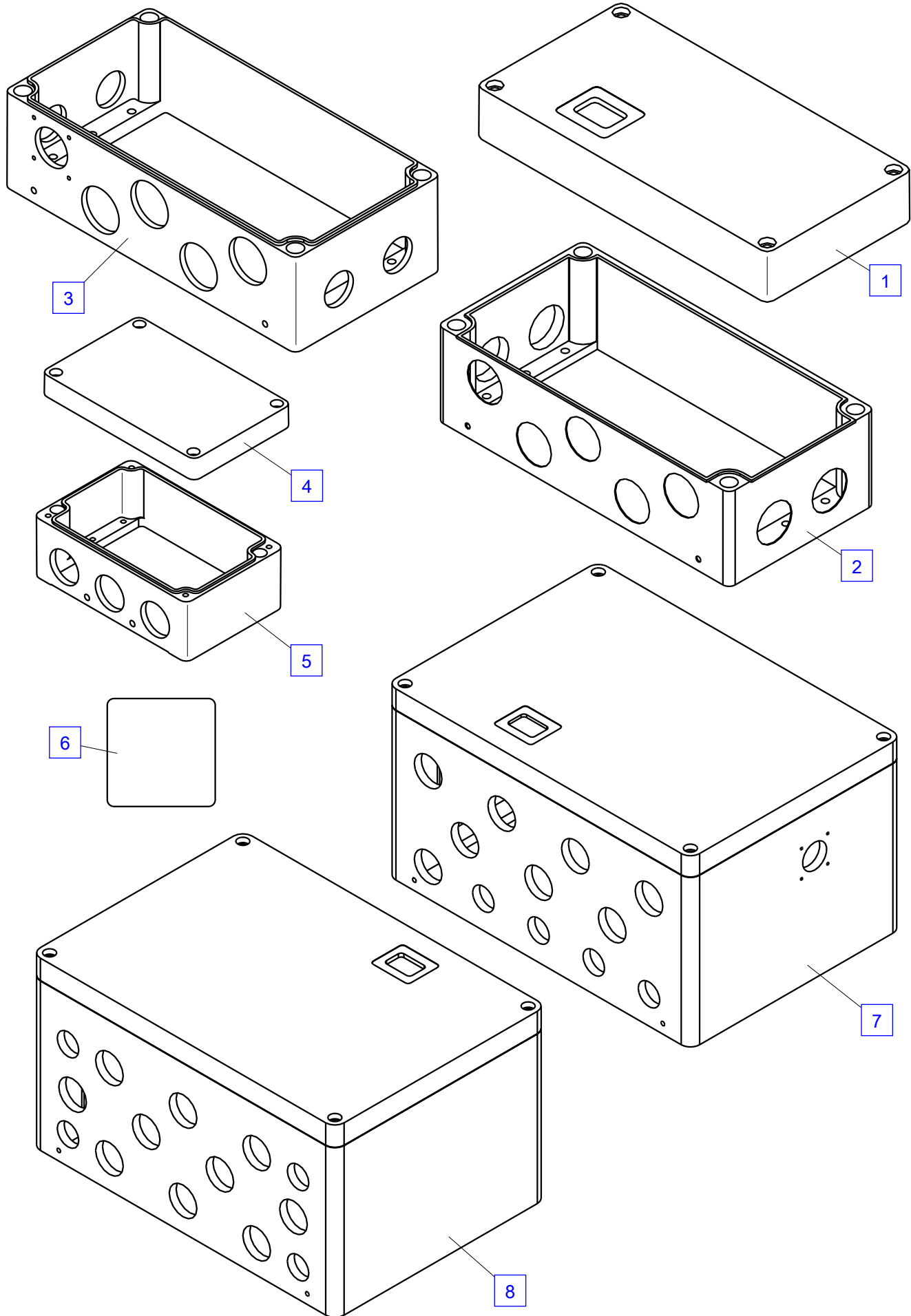
Terminal PT050 (250 mm)

No.	Spare part	Qty.	Description	Dimension
1	EEA5043B	1	Terminal PT050	
	EEA6077	1	Emergency cut-off button	
	EEA11523	1	Cover + Symbol sign EB2516	
	ES3628	4	Screw	M 4x45
2	EEA5405	1	Terminal ISC	
	EEA12479	1	Cover + Symbol sign EB2518	
	EEA3000	1	Key switch (2-positions)	
	ES3628	4	Screw	M 4x45
3	EEA9812	1	Terminal PT050	
4	EEA 441	1	Cover	250x80x15
5	EEA 439	1	Cover	250x80x15
6	EEA 269	1	Base	250x80x43.5
6	EEA6392	1	Base for breather membrane The membrane are not included in the delivery.	250x80x43.5
7	EEA6395	1	Ventilation membrane	M 12x1.5



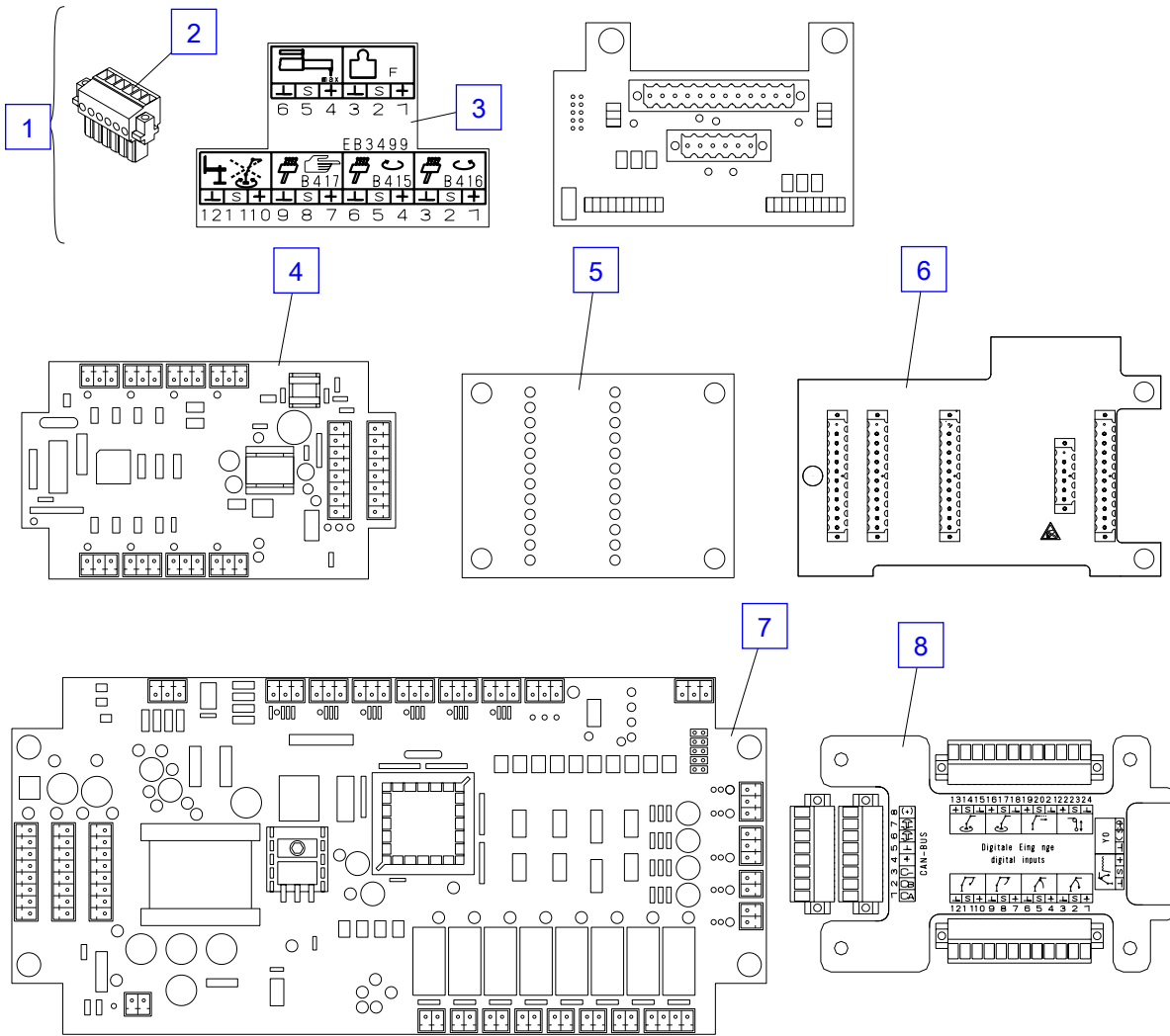
Basic element PT050

No.	Spare part	Qty.	Description	Dimension
1	EEA9864B	1	Basic element	Version 5.8
	ES3569	4	Screw	M 6x35 ISO4762
	ES3567	4	Screw	M 6x25 ISO4762
	ES3568	4	Screw	M 6x30 ISO4762
2	EEA4980	1	Base	238x119x68.5
3	EEA3692	1	Base	238x119x68.8
4	EEA1716	1	Valve casing, cpl.	
5	EEA3690	1	Base	
6	EB4492	1	Decal	80x80 mm
7	EEA5332	1	Connection box 4xM 25x1.5+8xM 32x1.5	330x230x180 mm
8	EEA5333	1	Connection box	330x230x180
	ES3569	4	Screw	M 6x35 ISO4762
	ES3567	4	Screw	M 6x25 ISO4762
	ES3568	4	Screw	M 6x30 ISO4762

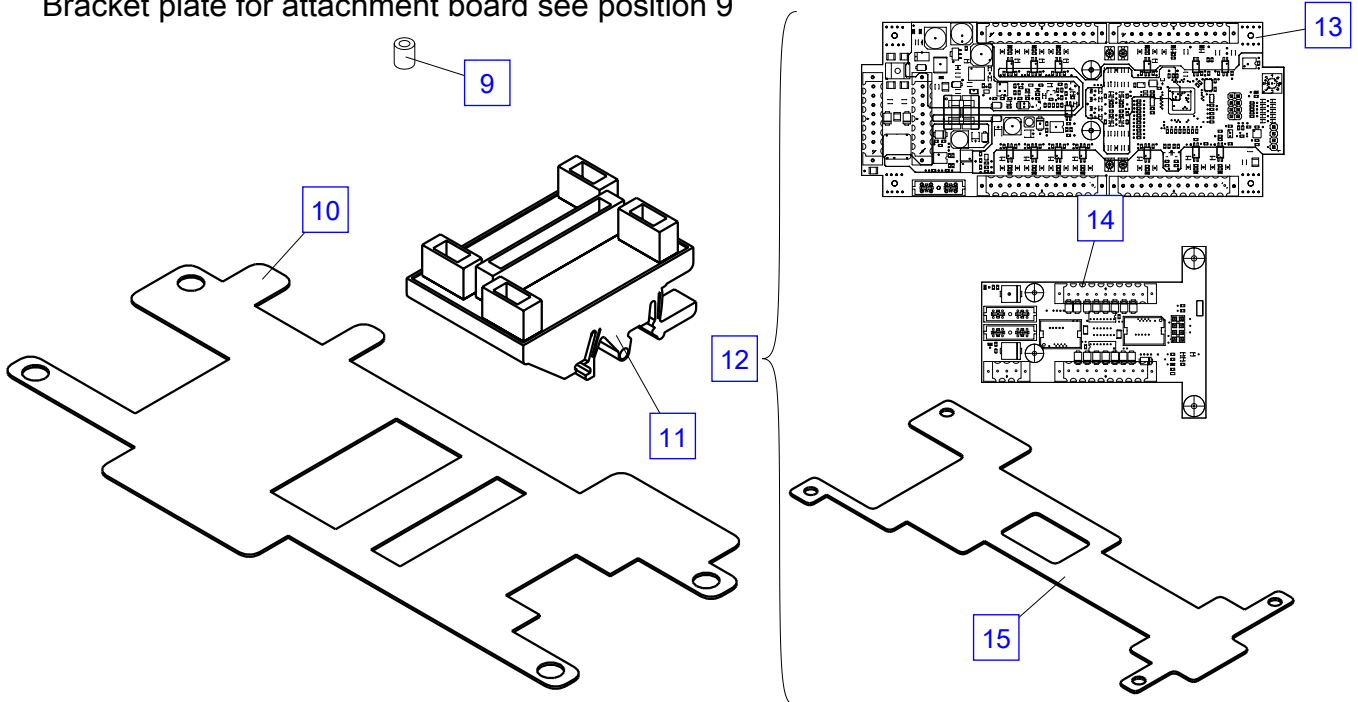


PT050Attachment board

No.	Spare part	Qty.	Description	Dimension
1	EEA2937	1	Attachment board	12/24V
2	EEA3087	1	Wire plug (6-sections)	Typ BL
3	EB3499	1	Symbol sign	
4	EEA1930B	1	Drawer electronics, cpl.	PAL 50
	EEA12797	1	Spool position board	
	EEA12797B	1	Spool position board	
5	EEA4658	1	Indicator module	
6	EEA5342	1	Attachment board	
7	EEA6195B	1	Attachment board	V 4.6
8	BD380	1	Spool position board	
9	EEA5367	4	Kit PAL50	
	EM 004	4	Nut	DIN 934 M6 CL8 ZB
	EEA5348	12	Spacer	l=7 mm d=6 mm M3
	EEA5343	2	Distance pin	M 6x25 mm SW10
	EEA5344	2	Distance pin	M 6x14 mm SW10
	EEA5345	2	Distance pin	M 6x10 mm SW10
	EEA5361	2	Distance pin	M 3x18 mm SW5
	EEA5362	4	Distance pin	M 3x8 mm SW5
	EEA5337	1	Distance pin	M 3x14 mm SW5
	EEA5360	12	Distance pin	M 3x15 mm SW5
	EEA2887	4	Spacer	l=10 mm
	EEA5338	1	Spacer	l=10 mm d=3.2 mm
	EM 226	13	Nut	M 3 DIN 934
	EQ1495	13	Fan disc	A 3.2 mm DIN 6798
	EQ 195	4	Circlip	D 6.1 DIN 127
10	HT10800	1	Cover plate	
11	EEA4657	1	Support control ISC	
12	EEA5376	1	Kit ISC/HPSC Pal 50	
13	EEA5316	1	ISC/HPSC Pal 50Attachment board	
14	EEA5353	1	ISC/HPSC Pal 50Attachment board	
15	HT12223	1	Cover plate	

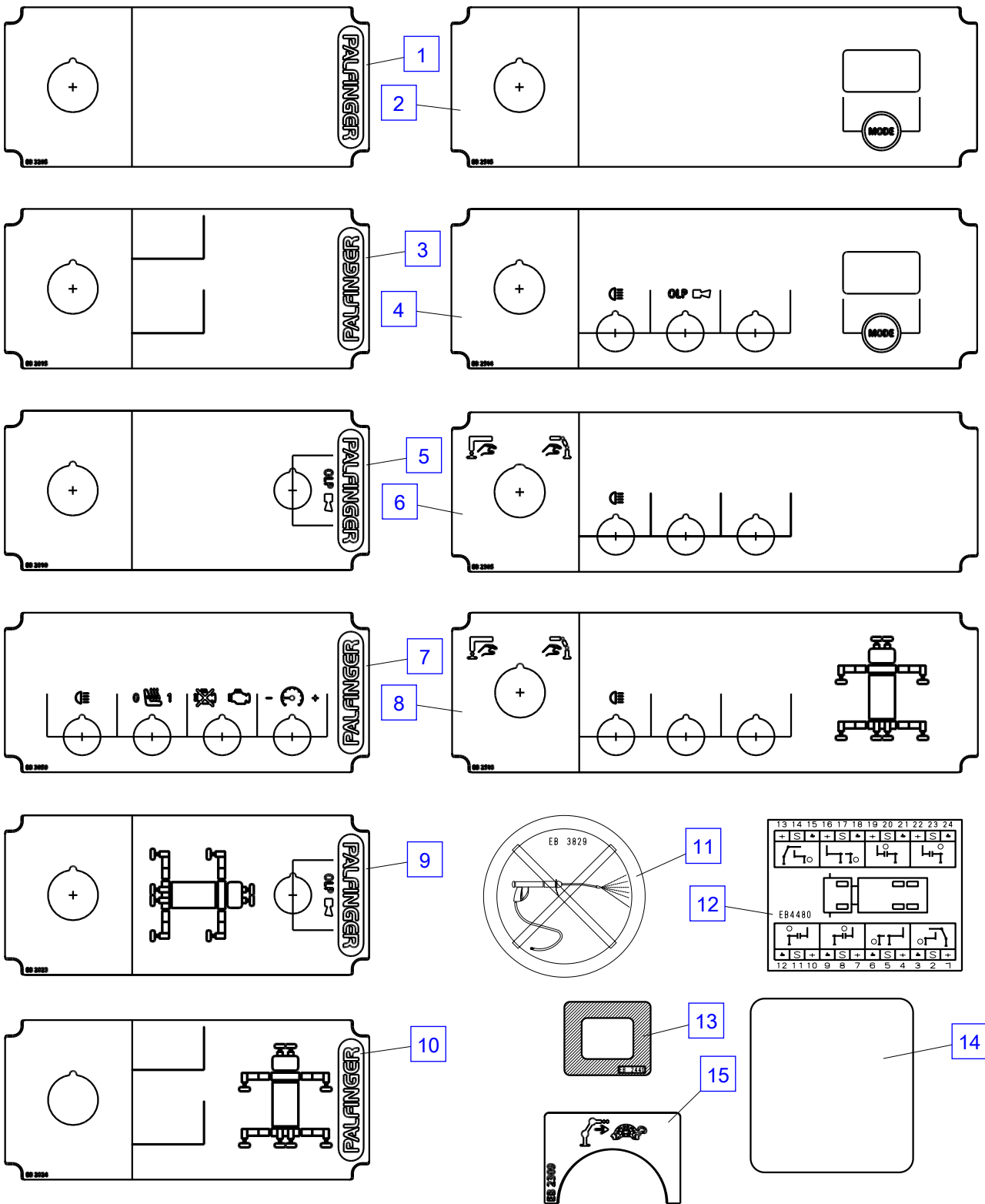


Bracket plate for attachment board see position 9



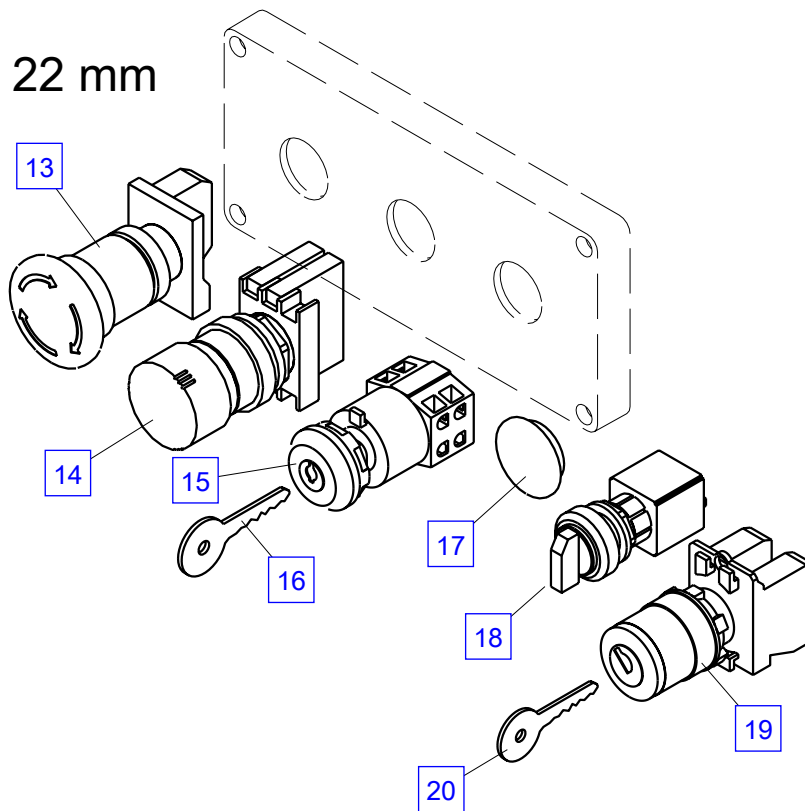
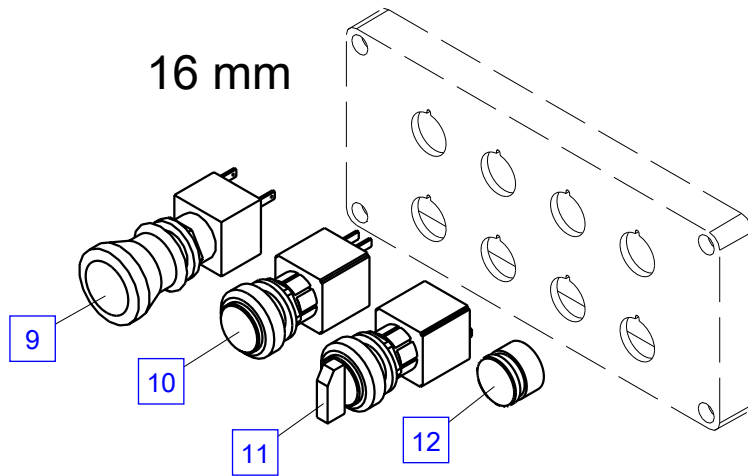
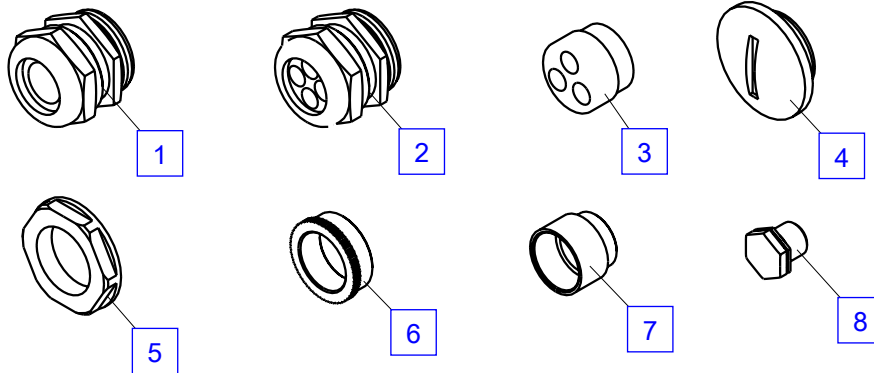
Decals PT050

No.	Spare part	Qty.	Description	Dimension
1	EB3205	1	Symbol sign	
2	EEA11524	1	Cover + Symbol sign EB2515	
3	EB2815	1	Symbol sign	
4	EEA12422	1	Cover + Symbol sign EB2514	
5	EB2810	1	Symbol sign	
6	EB2305	1	Symbol sign	
7	EB3059	1	Symbol sign	
8	EEA12479	1	Cover + Symbol sign EB2518	
9	EEA12480	1	Cover + Symbol sign EB2823	
10	EEA11520	1	Cover + Symbol sign EB2824	
11	EB12008	1	Sign	45x45 mm
12	EB4480	1	Symbol sign	
13	EB2440	1	Decal	
14	EB4492	1	Decal	80x80 mm
15	EB2309	1	Symbol sign	



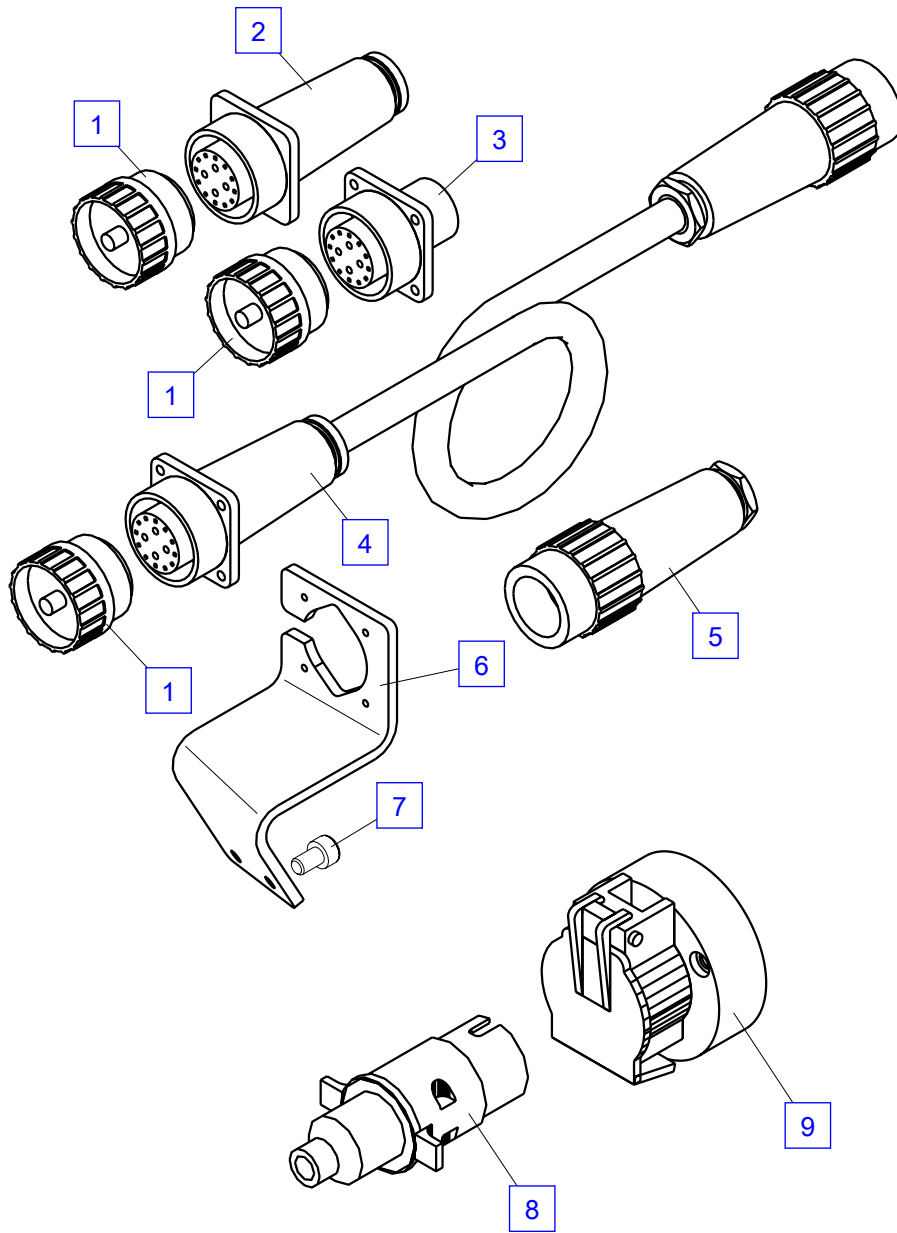
Adaptor, switch

No.	Spare part	Qty.	Description	Dimension
1	EEA3703	1	Fitting	M 25x1.5 (1x7-17 mm)
1	EEA3704	1	Fitting	M 32x1.5 (1x13-21 mm)
1	EEA3705	1	Fitting	M20x1.5 (1x4-13 mm)
1	EEA 509	1	Fitting	PG 11
2	EEA3706	1	Fitting	M 32x1.5 (4x5-7 mm)
2	EEA3707	1	Fitting	M 32x1.5 (2x8-10 mm)
2	EEA3708	1	Fitting	M 25x1.5 (4x4-6 mm)
2	EEA3709	1	Fitting	M 25x1.5 (3x5-7 mm)
2	EEA4444	1	Fitting	M 32x1.5 (6x4-6 mm)
2	EEA4987	1	Cartridge	M 32x1.5 (8x3-5 mm)
2	EEA6380	1	Fitting	M 40x1.5 (6x5-7 mm)
3	EEA3710	1	Cartridge	M 32x1.5 (3x6-8 mm)
4	EEA3711	1	Blind plug	M 25x1.5
4	EEA3712	1	Blind plug	M 32x1.5
4	EEA3727	1	Blind plug	M 20x1.5
5	EEA3713	1	Counter nut	M 25x1.5
5	EEA3714	1	Counter nut	M20x1.5
5	EEA3725	1	Counter nut	M 32x1.5
6	EEA3715	1	Reduction	M 32x1.5 - M 25x1.5
6	EEA3726	1	Reduction	M 25x1.5 - M 20x1.5
6	EEA4726	1	Reduction	M 32 - M 25x1.5
7	EEA3716	1	Extension	M 25x1.5 - M 32x1.5
7	EEA3728	1	Extension	M 20x1.5 - M 25x1.5
8	EEA3909	1	Breather valve	M 12x1.5
8	EEA6395	1	Ventilation membrane	M 12x1.5
9	EEA6077	1	Emergency cut-off button	
10	EEA5767	1	Push button, green Closer	
10	EEA9834	1	Push button, green Opener - Closer	
10	EEA5766	1	Alarm lamp, green	
10	EEA9813	1	Alarm lamp, red	
11	EEA5768	1	Switch (2-positions) Closer	
11	EEA6325	1	Switch (2-positions) Opener	
11	EEA5769	1	Switch (3-positions) (spring - detent - spring)	
11	EEA6429	1	Switch (3-positions) (detent - detent - detent)	
12	EEA5765	1	Blind plug	
13	EEA2998	1	Emergency cut-off button	
14	EEA9829	1	Emergency cut-off button	
15	EEA3002	1	Key switch (3-positions)	
16	EEA3157	1	Key	RONIS 601
17	EEA3001	1	Blind plug	
18	EEA4871	1	Switch (2-positions)	22 mm
19	EEA3000	1	Key switch (2-positions)	
20	EEA3156	1	Key	RONIS 455



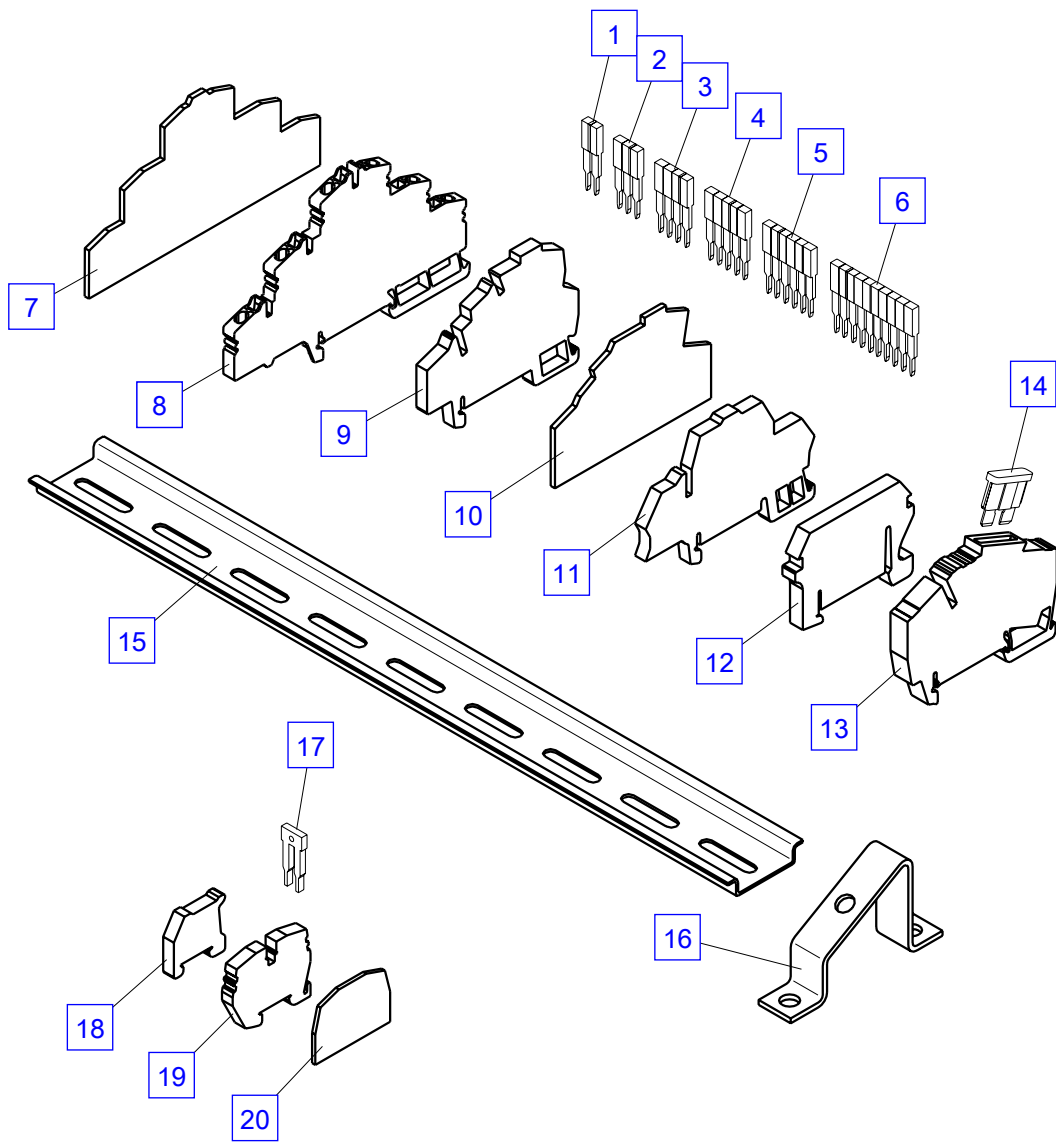
Wire plug

No.	Spare part	Qty.	Description	Dimension
1	EK 370	1	Protecting cap 14+PE	C16-3
2	EEA4403	1	Plug box 14+PE	
3	EEA 599	1	Plug box 14+PE	C16-3
	EEA5498	1	Contact	C16-3 0.5-1.5 mm ²
	EEA5500	1	Contact	C16-3 0.75-1 mm ²
	EEA 602	1	Contact	C16-3
	EEA 605	1	Contact	C16-3
4	EEA4198	1	Diagnostic cable	
5	EEA 600	1	Wire plug 14+PE	C16-3
	EEA5499	1	Contact	C16-3 0.75-1 mm ²
	EEA5497	1	Contact	C16-3 0.5-1.5 mm ²
	EEA5554	1	Contact	C16-3 0.35-0.5 mm ²
6	HA7465	1	Bearer	
7	ES 414	2	Screw	M6x10 ISO4762 - 8.8
8	EEA 028	1	Plug	
9	EEA 029	1	Plug box	



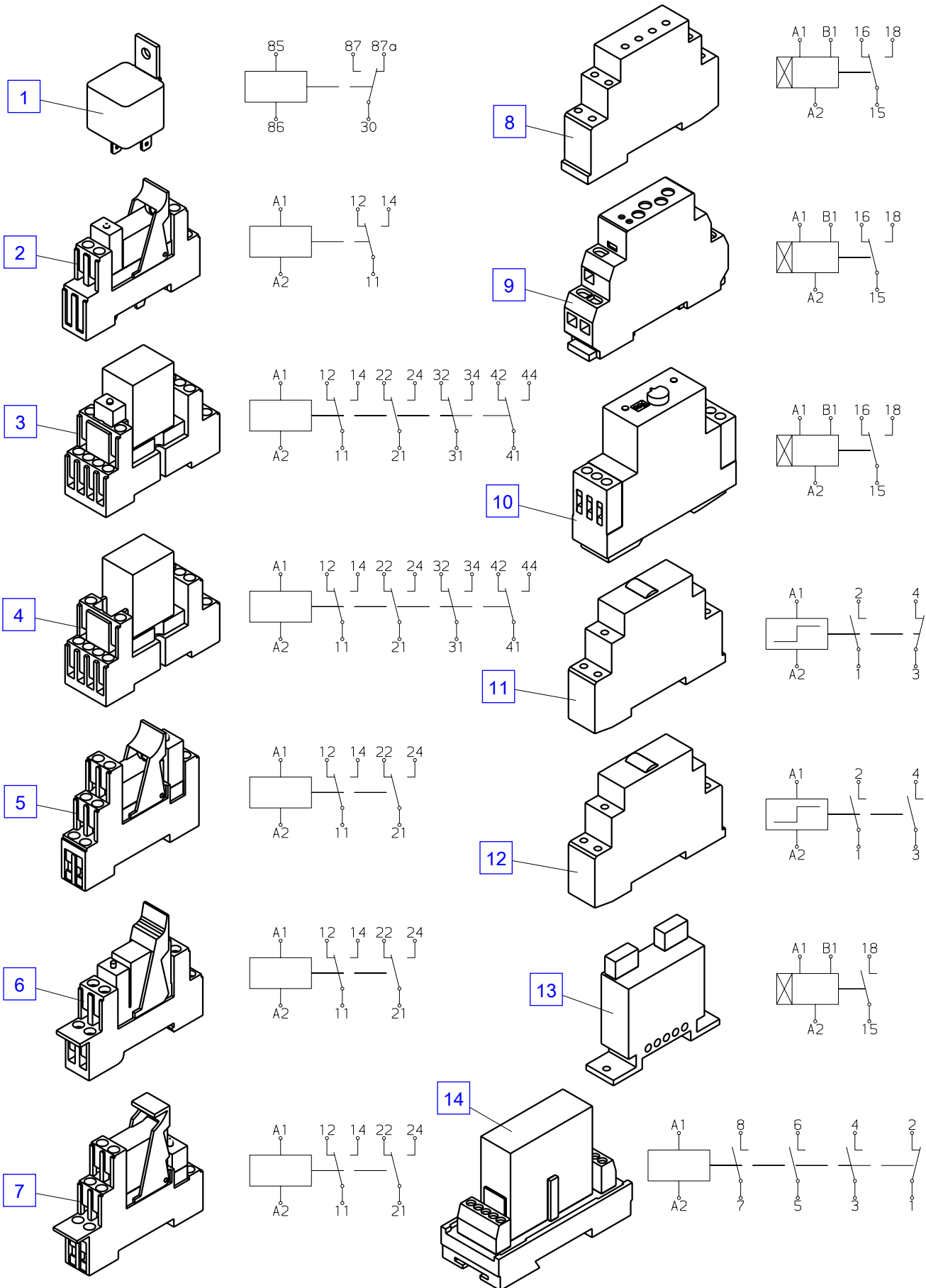
Line-up terminal

No.	Spare part	Qty.	Description	Dimension
1	EEA4552	1	Cross connection (2-sections)	ZDK 27.6 mm
2	EEA4553	1	Cross connection (3-sections)	ZDK 27.6 mm
3	EEA4554	1	Cross connection (4-sections)	ZDK 27.6 mm
4	EEA4555	1	Cross connection (5-sections)	ZDK 27.6 mm
5	EEA4556	1	Cross connection (6-sections)	ZDK 27.6 mm
6	EEA4557	1	Cross connection (10-sections)	ZDK 27.6 mm
7	EEA9803	1	Stop plate	ZDK
8	EEA9802	1	Line-up terminal	ZDK max. 2.5 ²
9	EEA4550	1	Line-up terminal	ZDK max. 2.5 ²
10	EEA4551	1	Stop plate	ZDK 27.6 mm
11	EEA4559	1	Line-up terminal LED	ZDK max. 2.5 ²
12	EEA4558	1	End terminal	ZDK
13	EEA6078	1	Fuse bracket	
14	EEA1804	1	Fuse	7.5 A
14	EEA4577	1	Fuse	5 A
14	EEA6090	1	Fuse	1 A
15	EEA 930	0	Bearing rail Metered good	
16	EEA9827	2	Attaching bracket	
17	EEA4548	1	Cross connection (2-sections)	ZDK 23 mm
17	EEA4932	1	Cross connection (4-sections)	ZDK 23 mm
18	EEA4547	1	End terminal	ZDK
19	EEA4543	1	Line-up terminal	ZDK max. 2.5 ²
20	EEA4546	1	Connection plate	ZDK



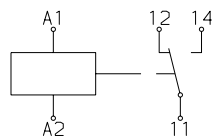
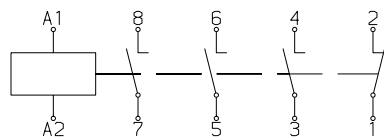
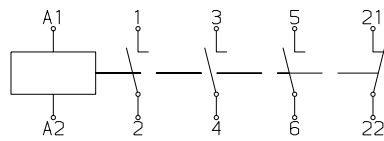
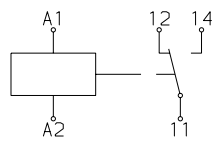
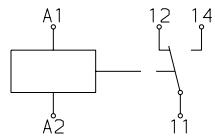
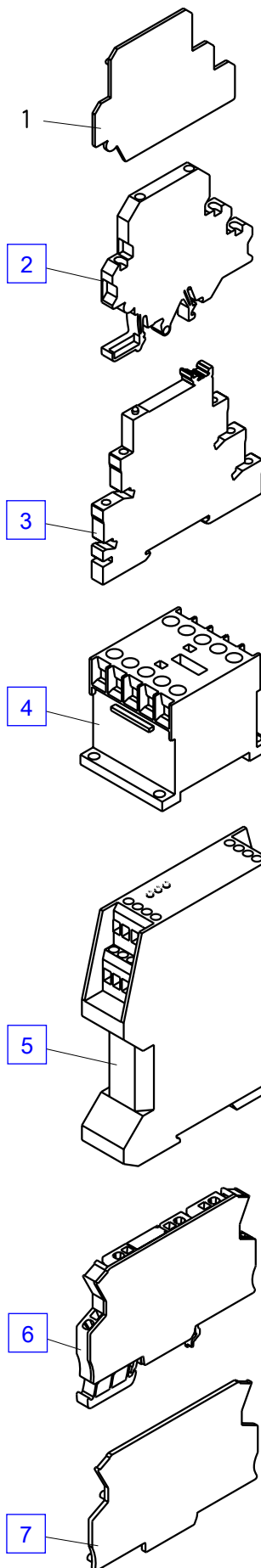
Relay (1)

No.	Spare part	Qty.	Description	Dimension
1	EE 024	1	Relay	24V 10A
2	EE 101	1	Relay	24V 12A
3	EE 102	1	Relay	24V 7A
4	EE 124	1	Relay - gold kontakt	24V 7A
5	EE 127	1	Relay	24V 8A
6	EEA1456	1	Relay	24V 4A
6	EEA4088	1	Relay - gold kontakt	24V 6A
7	EEA6216	1	Relay - projector	24V 10A
8	EEA 986	1	Time lag relay	24V 2A
9	EEA4540	1	Time lag relay - clock generator	24-48V 10h
9	EEA5351	1	Time lag relay - radio controlled support	12-240VAC/DC
10	EEA3481	1	Time lag relay - clock generator	12V 10A
11	EEA1812	1	Relay	24V 16A
12	EEA4297	1	Relay	24V 16A
13	EEA5060	1	Time lag relay	8...32Vdc
14	EEA1425	1	Relay	24V 10A



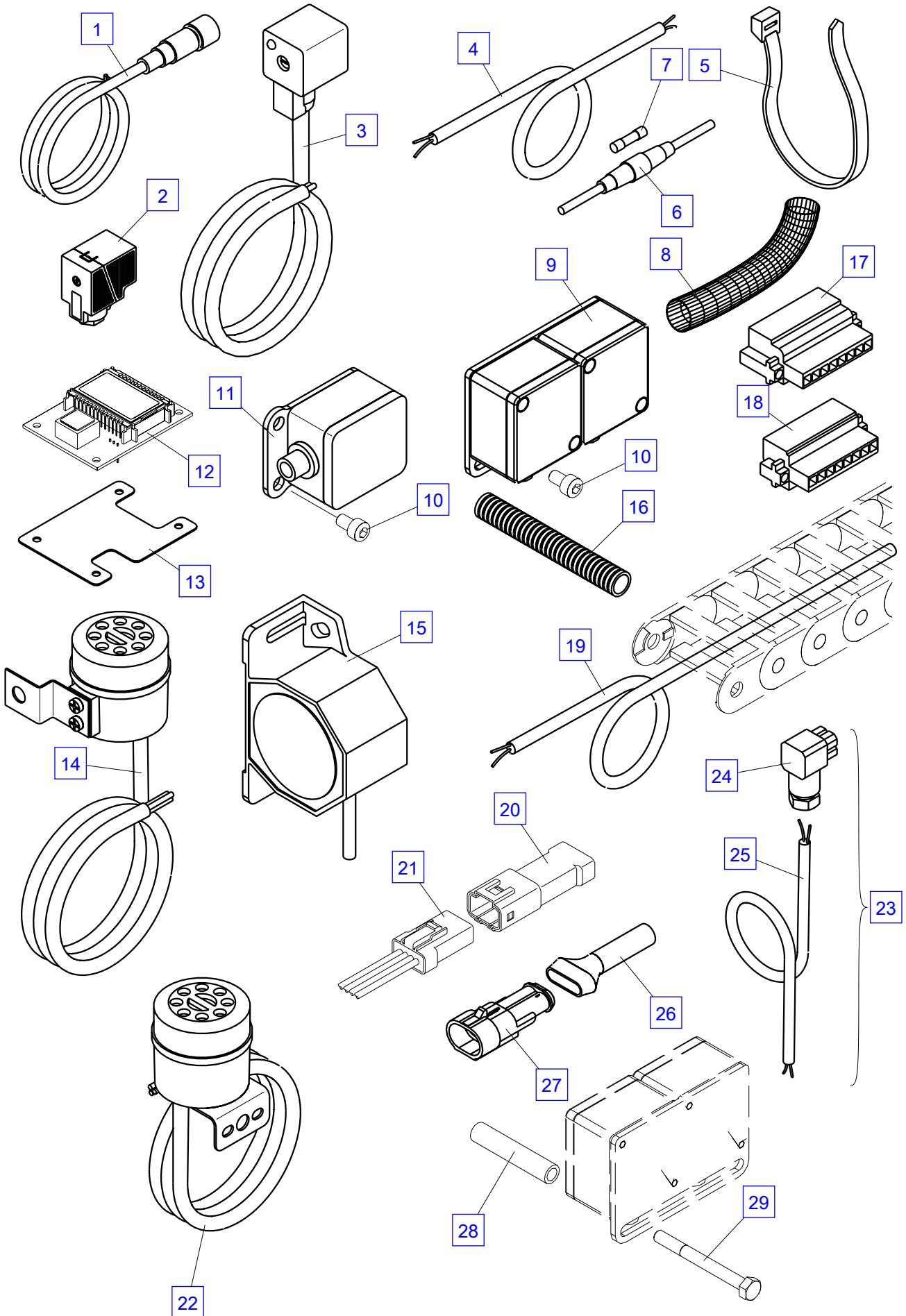
Relay (2)

No.	Spare part	Qty.	Description	Dimension
2	EEA3971	1	Relay	24V 6A
3	EEA4972	1	Relay	24V 6A
4	EEA2342	1	Relay	24V 20A
5	EEA3748	1	Relay	24V 18A
6	EEA5339	1	Relay	24V 6A
7	EEA5319	1	Stop plate	24V



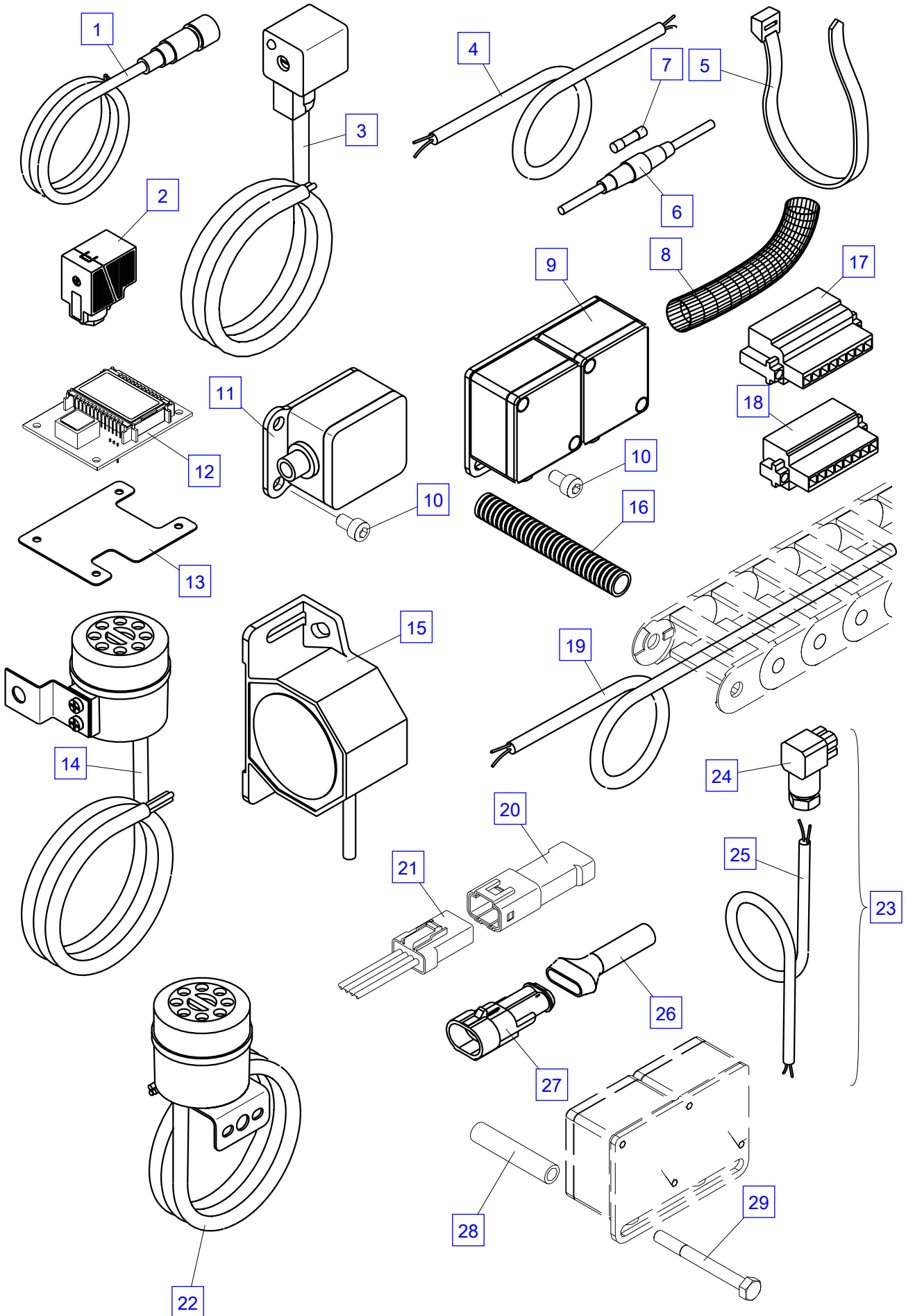
Miscellaneous

No.	Spare part	Qty.	Description	Dimension
1	EEA11926	1	Plug with cable (4-pole)	M 12 - 5 m 2x2 CAN-Bus
1	EEA9818	1	Plug with cable (4-pole)	M 12 - 1 m
1	EEA9985	1	Plug with cable (3-pole)	M 8 - 12 m
1	EEA5382	1	Plug with cable (4-pole)	M 12 - 8 m
1	EEA5383	1	Plug with cable (4-pole)	M 12 - 12 m
1	EEA5639	1	Angle plug with cable (4-pole)	M 12 - 2.6 m
1	EEA13589	1	Connecting cable (3-pole)	M 8 - 8 m
1	EEA9815	1	Plug with cable (4-pole)	M 12 - 11 m
1	EEA9814	1	Plug with cable (4-pole)	M 12 - 3 m
1	EEA11661	1	Angle plug with cable (4-pole)	M 12 - 3 m
1	EEA5384	1	Plug with cable (4-pole)	M 12 - 15 m
1	EEA12216	1	Plug with cable (4-pole)	M 12 - 3 m 2x2 CAN-Bus
1	EEA1150	1	Plug with cable (3-pole)	M 12 - 12 m
1	EEA2574	1	Plug with cable (3-pole)	M 12 - 8 m
1	EEA5075	1	Plug with cable (3-pole)	M 12 - 3 m
1	EEA3105	1	Angle plug with cable (4-pole)	M 12 - 2 m
1	EEA5790	1	Plug with cable (4-pole)	M 12 - 8 m
1	EEA6076	1	Plug with cable (4-pole)	M 12 - 5 m
1	EEA13653	1	Connecting cable (4-pole)	M 12 - 7.5 m
1	EEA14103	1	Plug with cable (4-pole)	M 12 - 2 m
2	EEA 156	1	Plug	
3	EEA 772	1	Plug with cable LED	1,5 m
3	EEA 773	1	Plug with cable LED	3 m
3	EEA2810	1	Plug with cable LED, red	10 m
3	EEA2811	1	Plug with cable	5 m
4	EEA 058	0	Cable (metre goods)	3x0.5 mm ²
4	EEA 162	0	Cable (metre goods)	3x1.5 mm ²
4	EEA 169	0	Cable (metre goods)	2x1 mm ²
4	EEA 170	0	Cable (metre goods)	2x1.5 mm ²
4	EEA 192	0	Cable (metre goods)	7x1.5 mm ²
4	EEA2478	0	Cable (metre goods)	2x2.5 mm ²
4	EEA4376	0	Cable (metre goods)	5x2.5 mm ²
4	EEA4377	0	Cable (metre goods)	10x1.5 mm ²
4	EEA4378	0	Cable (metre goods)	12x0.75 mm ²
4	EEA4379	0	Cable (metre goods)	4x0.75 mm ²
4	EEA4380	0	Cable (metre goods)	2x0.75 mm ²
4	EEA6169	0	Cable (metre goods)	6x0.75 mm ²
4	EEA6213	0	Cable (metre goods)	7x0.5 mm ²
4	EEA5260	0	Cable for drag chain (metro goods)	CAN 25x1,12x0.5,3x0.34 mm"
4	EEA6172	0	Cable (34-pole) metre goods	17x1 - 14x0.5 - 3x0.34 mm ²
5	EK 155	1	Cable tie	l=102x2.5
5	EK 165	1	Cable tie	l=215x4.8
6	EEA5764	1	Fuse bracket	
7	EEA6073	1	Fuse	1A
8	EH 620	1	Protection hose	NW 70x1000
8	EH 822	1	Protection hose	NW 50x500
8	EH 878	1	Protection hose	NW 102x1000
9	EEA6165	1	Pendulum, cpl.	M 12
10	ES 414	2	Screw	M6x10 ISO4762 - 8.8
11	EEA15298	1	Pendulum (0-180°)	M 12
12	EEA3527	1	Hour meter	
13	HT1041	1	Cover plate	
14	EEA 080	1	Horn (Alternating tone alert signal)	12/24 V
14	EEA2729	1	Horn	12/24 VDC
15	EEA6194	1	Horn	12/24 VDC (H6)
15	EEA2753	1	Horn (EN12999)	12 m (CE)
16	EZ1266	1	Protection hose (metre goods)	D 12.2/15.7 mm
16	EZ1267	0	Protection hose (metre goods)	D 16.6/21.2 mm
16	EZ1293	0	Protection hose (metre goods)	D 9.8/13 mm



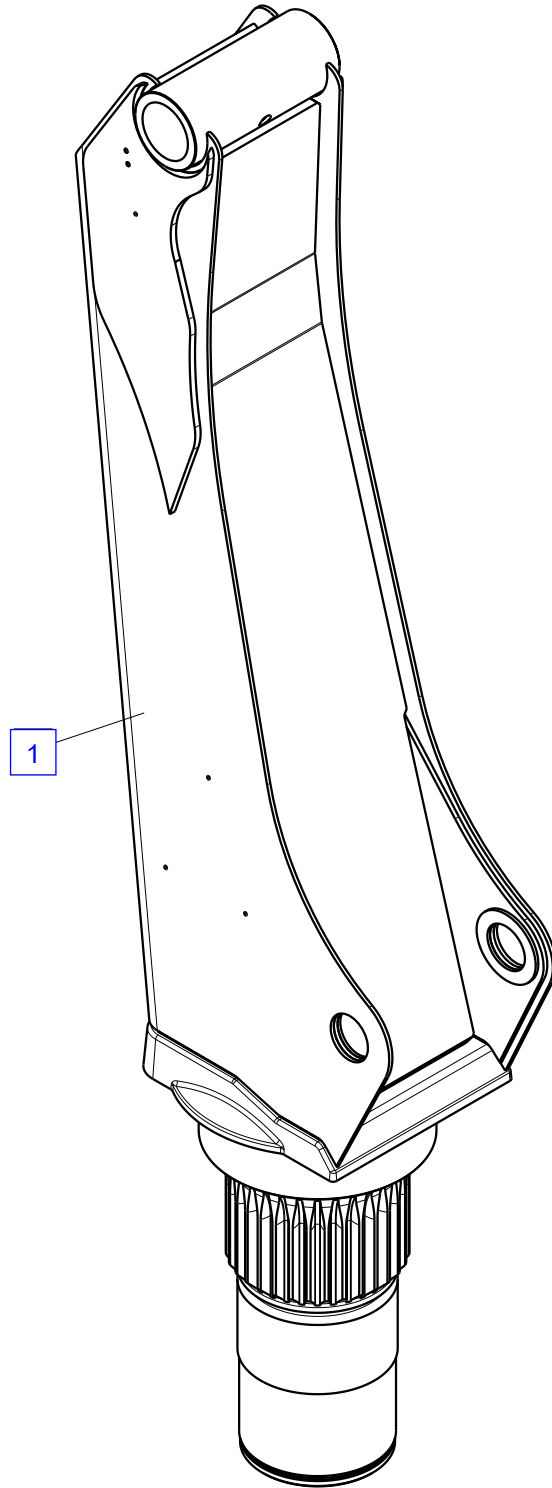
Miscellaneous

No.	Spare part	Qty.	Description	Dimension
16	EZ2837	0	Protection hose (metre goods)	D 6.6/10 mm
17	EEA5034	1	Female strip (4-sections)	Typ BLZF
17	EEA4948	1	Female strip (5-sections)	Typ BLZF
17	EEA4947	1	Female strip (9-sections)	Typ BLZF
17	EEA4597	1	Female strip (24-sections)	Typ BLZF
17	EEA4596	1	Female strip (12-sections)	Typ BLZF
17	EEA4595	1	Female strip (10-sections)	Typ BLZF
17	EEA4594	1	Female strip (8-sections)	Typ BLZF
17	EEA4593	1	Female strip (6-sections)	Typ BLZF
17	EEA4592	1	Female strip (3-sections)	Typ BLZF
17	EEA4591	1	Female strip (2-sections)	Typ BLZF
17	EEA5705	1	Wire plug (15-sections)	Typ BLZF
18	EEA3087	1	Wire plug (6-sections)	Typ BL
18	EEA2603	1	Wire plug (2-sections)	Typ BL
18	EEA1720	1	Wire plug (4-sections)	Typ BL
18	EEA2604	1	Wire plug (8-sections)	Typ BL
18	EEA2605	1	Female strip (10-sections)	Typ BL
18	EEA2606	1	Wire plug (12-sections)	Typ BL
18	EEA2698	1	Wire plug (3-sections)	Typ BL
18	EEA2607	1	Wire plug (24-sections)	Typ BL
19	EEA 134	0	Cable for drag chain (metre goods)	12x1 mm ²
19	EEA 791	0	Cable for drag chain (metre goods)	18x1 mm ²
19	EEA1268	0	Cable for drag chain (metre goods)	12x1.5 mm ²
19	EEA1705	0	Cable for drag chain (metre goods)	5x1.5 mm ²
19	EEA2141	0	Cable for drag chain (metre goods)	5x1 mm ²
19	EEA5752	0	Cable for drag chain (metre goods)	22x1 mm ²
20	EEA5591	1	Plug (3-pole)	
21	EEA5741	1	Plug with cable	1,5 m
21	EEA5742	1	Plug with cable	2,5 m
21	EEA6154	1	Plug with cable	3,5 m
22	EEA6192	1	Horn (Alternating tone alert signal)	12/24 VDC
22	EEA6193	1	Horn (Continuous tone)	12/24 VDC (H5)
23	EEA2696	1	Plug with cable	1.5 m
23	EEA3399	1	Plug with cable	3 m
23	EEA9860	1	Plug with cable	4 m
24	EEA1718	1	Wire plug	
25	EEA1755	0	Cable (metre goods)	4x0.34 mm ²
26	EEA6202	1	Rubber grummet	
27	EEA6185	1	Bush insert (2-pole)	MIC
	EEA6184	2	Contact	MIC 1.0-1.5 mm ²
	EEA6203	2	Seal	
	EEA6202	1	Rubber grummet	
28	HBS3284	2	Spacer	l=50 mm
29	ES 976	2	Screw	M 6x60 DIN 931



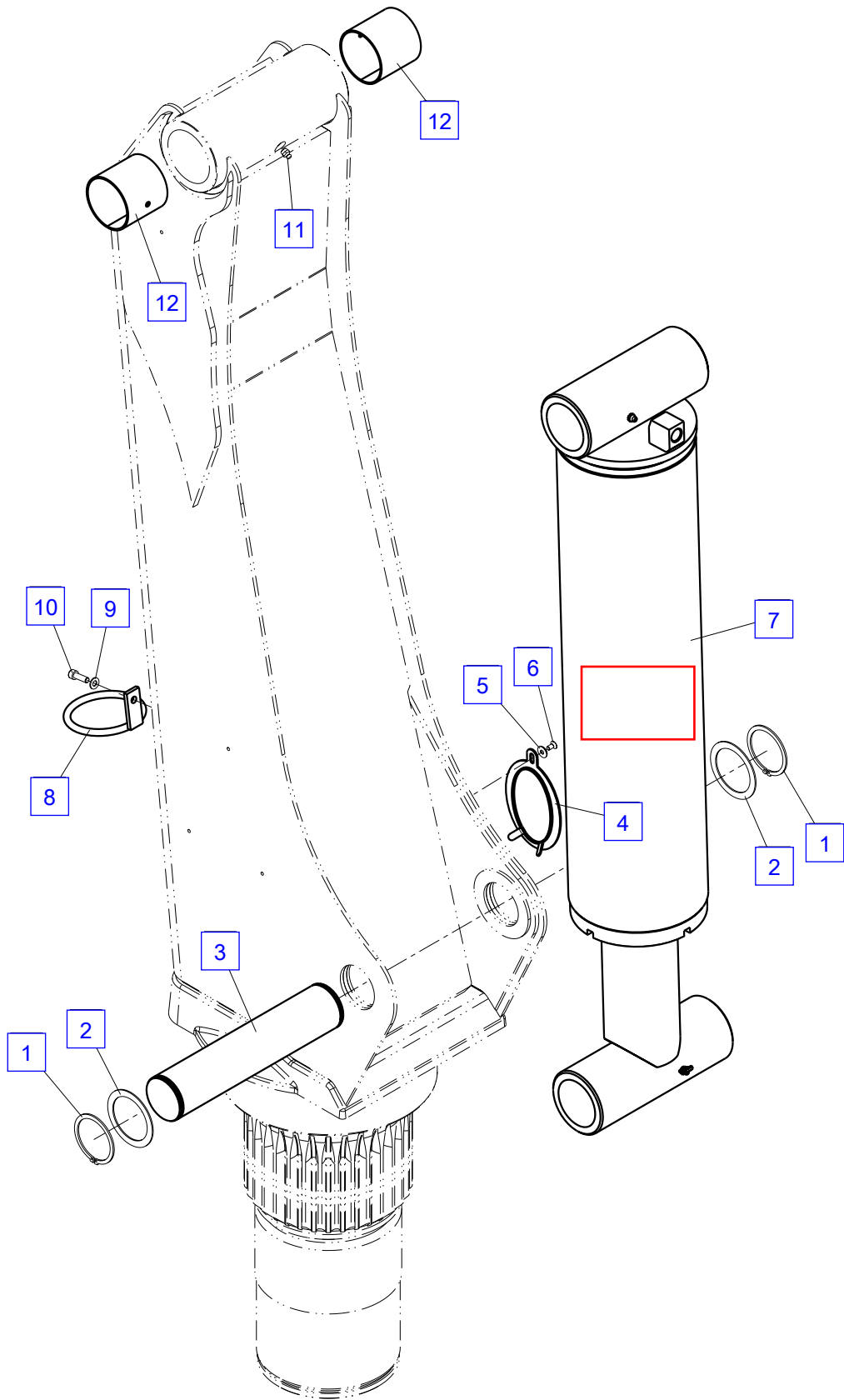
Crane column FL (PK20001-K)

No.	Spare part	Qty.	Description	Dimension
1	S304S33SA+00001	1	Crane column (Standard colour RAL 2002)	



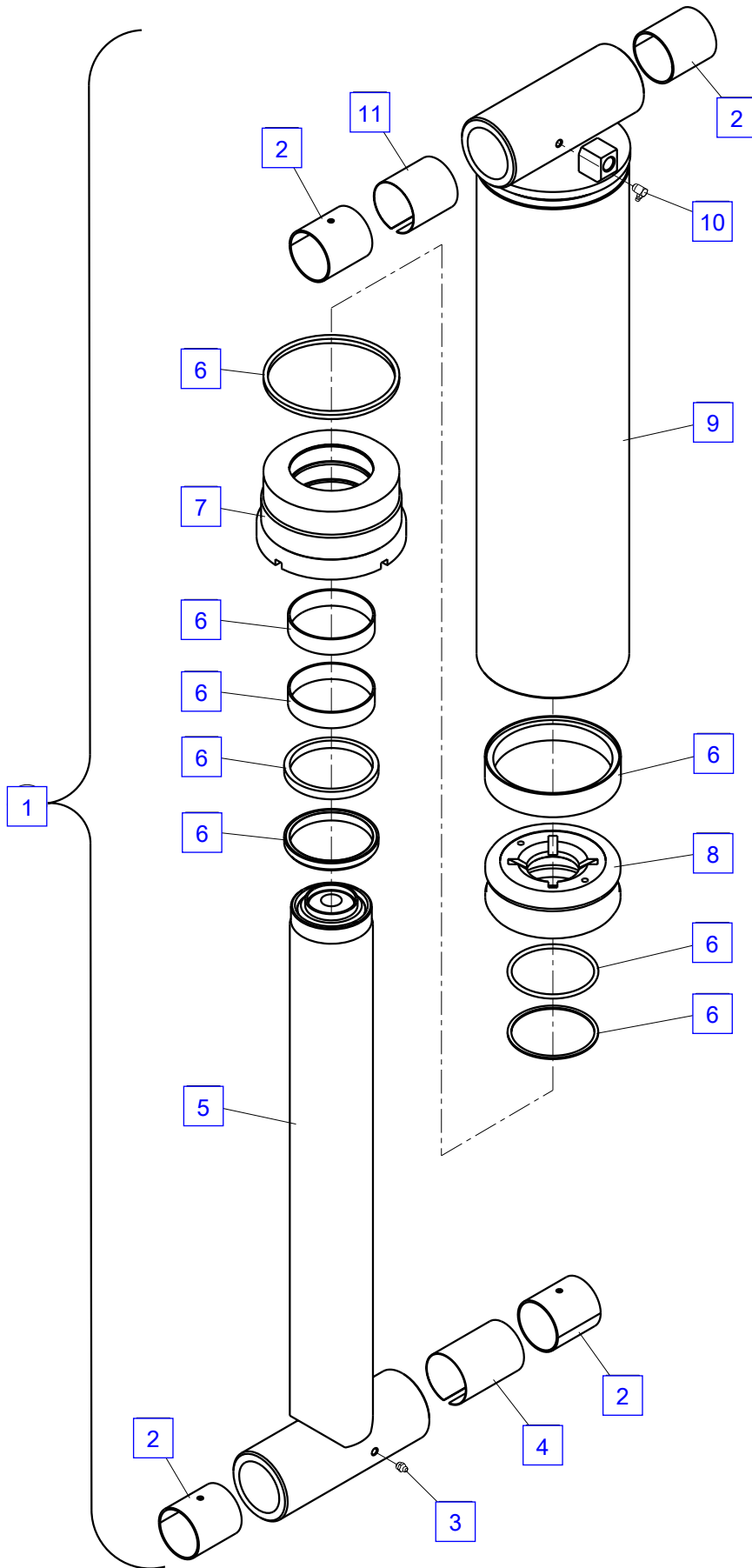
Attachments - crane column (PK20001-K)

No.	Spare part	Qty.	Description	Dimension
1	EQ 062	2	Circlip	D 70 DIN 471
2	HBS 760	2	Spacer	1,5 mm
2	HBS 888	2	Spacer	2,0 mm
3	HI7240	1	Pin	
4	EK1239	1	Cover	
5	EK 567	1	Washer	D 6
6	ES 419	1	Screw	M6x12 ISO14581- 8.8
7	UP1913A	1	Lifting cylinder see page 0400.02101-A	
8	HXL 020	1	Hose ring	d=100 mm
9	EK 003	1	Washer	D 8.4 ISO7089
10	ES1462	1	Screw	M 8x25 ISO4762- 8.8
11	EA 005	1	Grease nipple	M10x1 DIN71412
12	ELG 019	2	Bearing bush	D 85x80x80



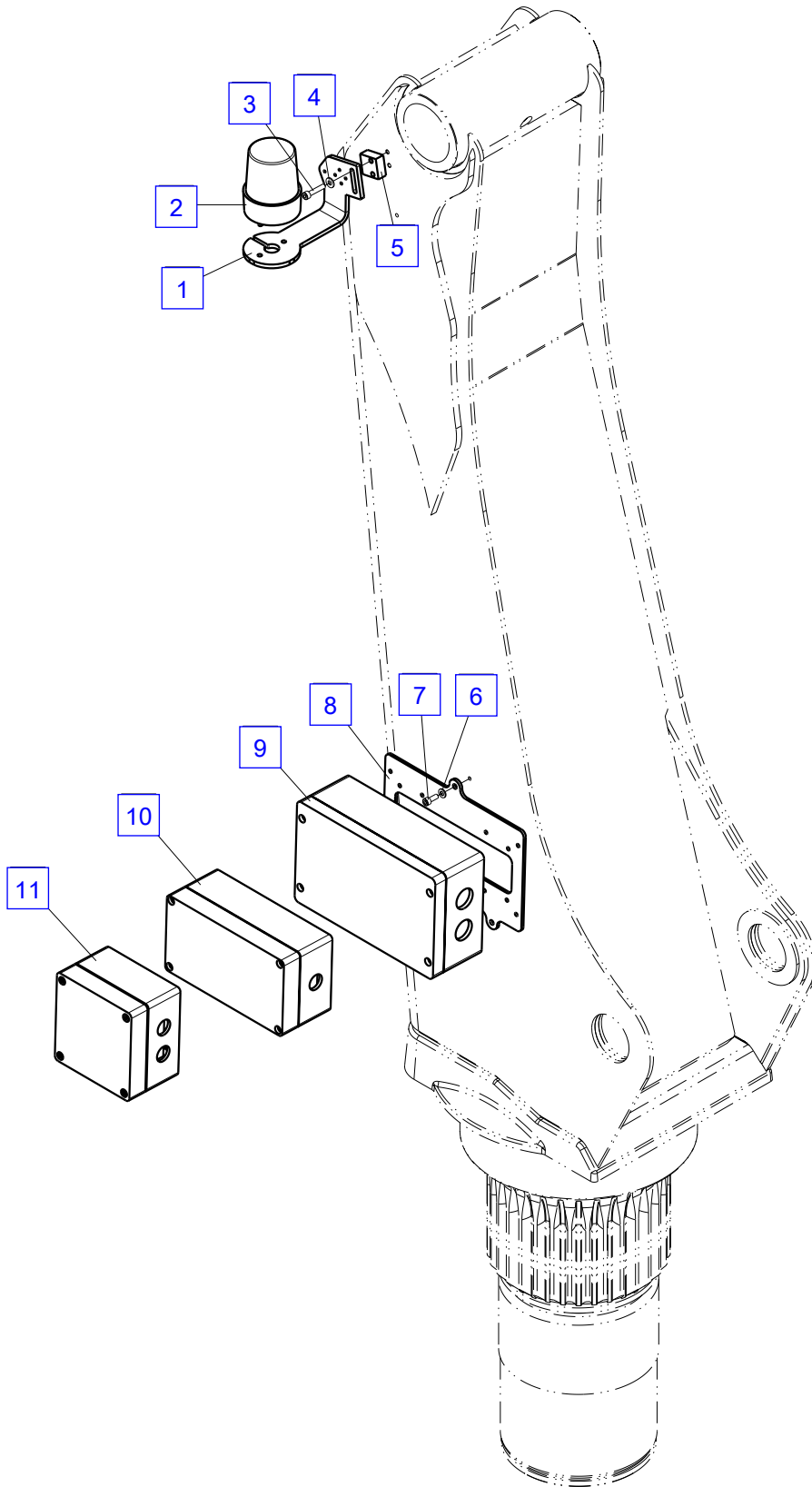
Lifting cylinder - details

No.	Spare part	Qty.	Description	Dimension
1	UP1913A	1	Lifting cylinder	
2	ELG 007	4	Bearing bush	D 70x75x80
3	EA 005	1	Grease nipple	M10x1 DIN71412
4	HBD 440	1	Spacer	
5	HSK1501A	1	Piston rod	Cr
6	TD 535A	1	Seal kit	
7	HV 381A	1	Cylinder nut	
8	HK 727	1	Piston	
9	HY1662	1	Cylinder tube	
10	EA 023	1	Grease nipple	M 10x1 DIN 71412
11	HBD 438	1	Spacer	



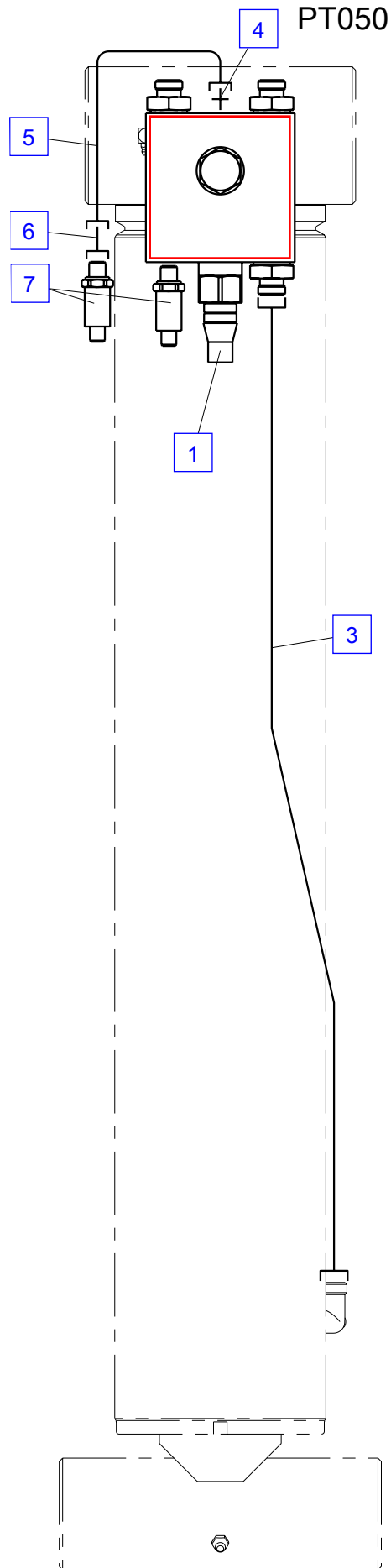
Attachments - Clamp housing

No.	Spare part	Qty.	Description	Dimension
1	HA16784	1	Bearer	
2	EEA5657	1	Light, orange	1 m
2	EEA15937	1	Light, green	M 12
2	EEA5790	1	Plug with cable (4-pole)	M 12 - 8 m
2	EEA17020	1	Adapter cable	MIC - M 12
3	ES 087	2	Screw	M 6x30 - 8.8 - ISO4762
4	EK 043	2	Washer	D 6.4 DIN 134
5	HTR3996	1	Spacing piece	L0030.0xB0030.0xS014.0
6	EK 190	3	Washer	DIN134-06-ST
7	ES 175	3	Screw	M 6x16 ISO4762- 8.8
8	HT10055	1	Bearer	
9	EEA3687	1	Connection box	260x160x100
	ES3569	4	Screw	M 6x35 ISO4762
	ES3567	4	Screw	M 6x25 ISO4762
	ES3568	4	Screw	M 6x30 ISO4762
10	EEA11683	1	Connection box	220x120x91
	ES3567	4	Screw	M 6x25 ISO4762
	ES3568	4	Screw	M 6x30 ISO4762
	ES3569	4	Screw	M 6x35 ISO4762
11	EEA3936	1	Connection box	140x140x92



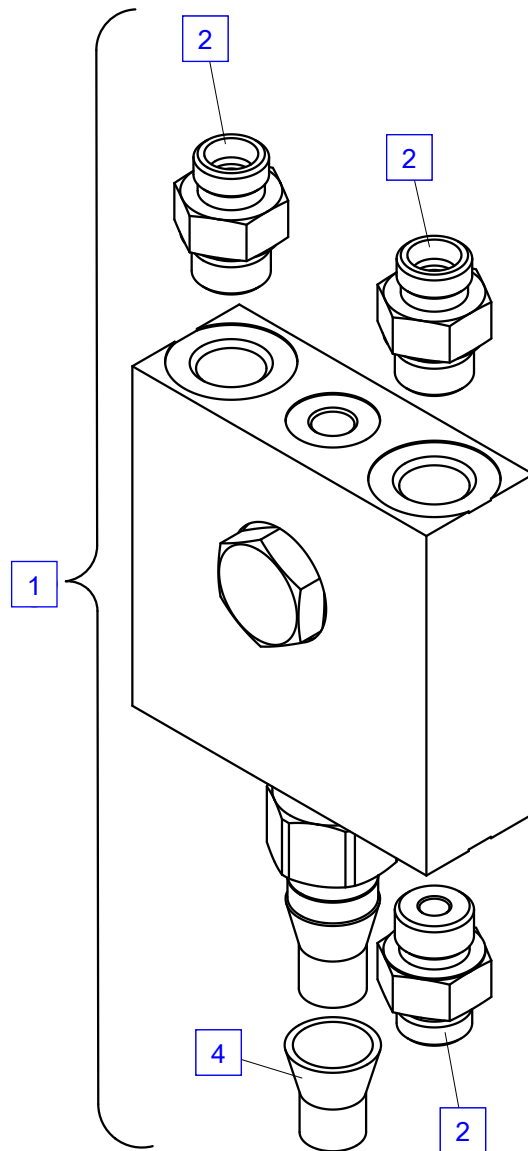
Piping - lifting cylinder RSQ240

No.	Spare part	Qty.	Description	Dimension
1	UV510-370	1	Load holding valve see page 0400.03001-A	
3	HLR12441	1	Pipe	D 16
4	EA 089	1	Fitting	GE 08S R1/4"-ED
5	HLR10891	1	Pipe	D 8
6	EA1264	1	Fitting	GAI 8 S 1/4"
7	EEA4165	2	Pressure transducer	24V 600 bar



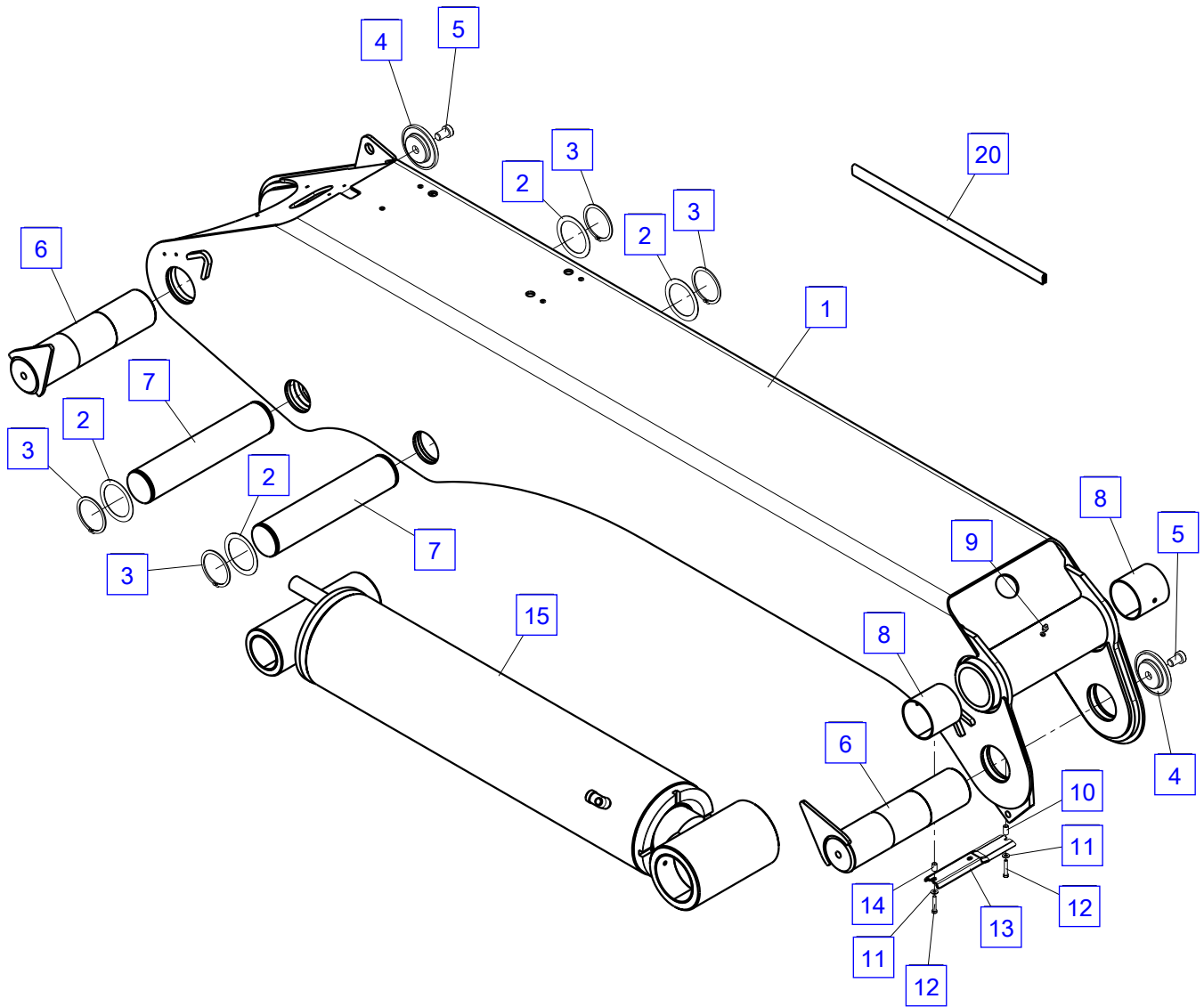
Load holding valve UV510-...

No.	Spare part	Qty.	Description	Dimension
1	UV510-370	1	Load holding valve	
2	EA 074	3	Fitting	GE 16S R1/2"-ED
4	EZ1438	1	Sealing cap	



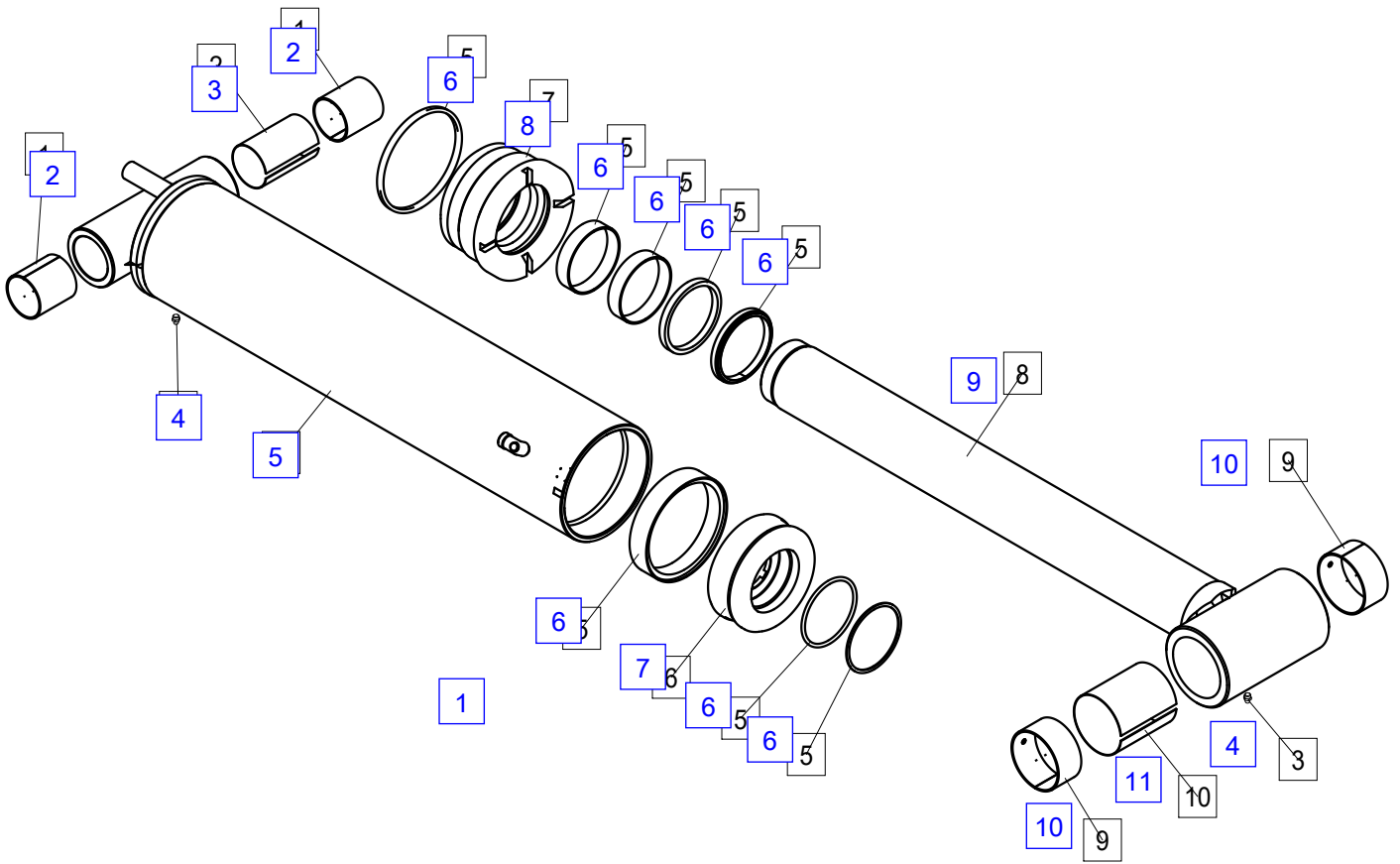
Main boom (PK20001-K)

No.	Spare part	Qty.	Description	Dimension
1	S405H31SA+00001	1	Main boom (Standard colour RAL 2002)	
2	HBS 760	4	Spacer	1,5 mm
2	HBS 888	4	Spacer	2,0 mm
3	EQ 062	4	Circlip	D 70 DIN 471
4	HB 267	2	Cover	
	HT16348	1	Spacer	D=35 s=1.5 mm
5	ES 505	1	Screw	M 16x30 ISO4762 10.9
5	ES 979	1	Screw	M 16x25 DIN7984 8.8
6	HIG 735	2	Pin	D080.0xL0324.0
7	HI3076	2	Pin	
8	ELG 019	2	Bearing bush	D 85x80x80
9	EA 005	1	Grease nipple	M10x1 DIN71412
10	HBS3507	1	Spacer	L=18 mm
11	EK 043	2	Washer	D 6.4 DIN 134
12	ES 080	2	Screw	M 6x35 DIN 6912
13	HA7484	1	Hose clamp	L0215.8xB046.0xS03.0
14	HBS3508	1	Spacer	D10.0xd7.0xL=14.5 mm
15	UP1779A	1	Outer boom ram see page 0500.01101-A	
20	EZ 578	0	Edge protection (metro goods)	4-6 mm



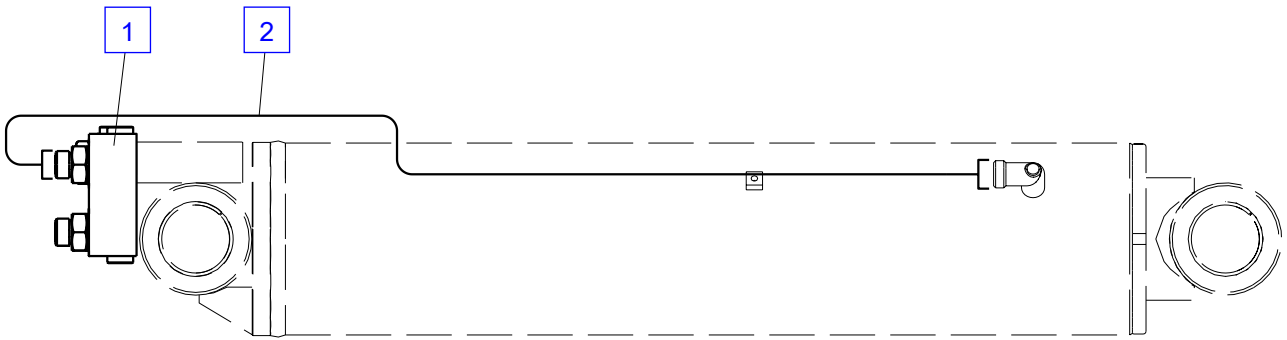
Outer boom ram - details

No.	Spare part	Qty.	Description	Dimension
1	UP1779A	1	Outer boom ram	
2	ELG 007	2	Bearing bush	D 70x75x80
3	HBD 408	1	Spacer	
4	EA 005	2	Grease nipple	M10x1 DIN71412
5	HY1550	1	Cylinder tube	
6	TD 535A	1	Seal kit	
7	HK 727	1	Piston	
8	HV 381A	1	Cylinder nut	
9	HSK1393A	1	Piston rod	Cr
10	ELG 166	2	Bearing bush	d100xD105xL050
11	HBD 409	1	Spacer	



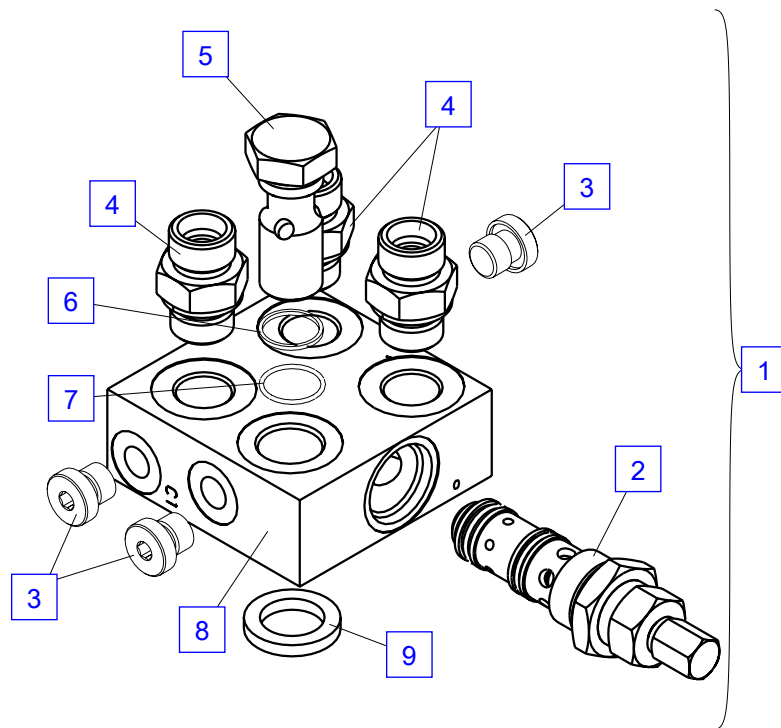
Piping - outer boom ram RSQ240

No.	Spare part	Qty.	Description	Dimension
1	UV476-370	1	Load holding valve see page 0500.02001-A	
2	HLR 9952	1	Pipe	D 16



Load holding valve UV476-370

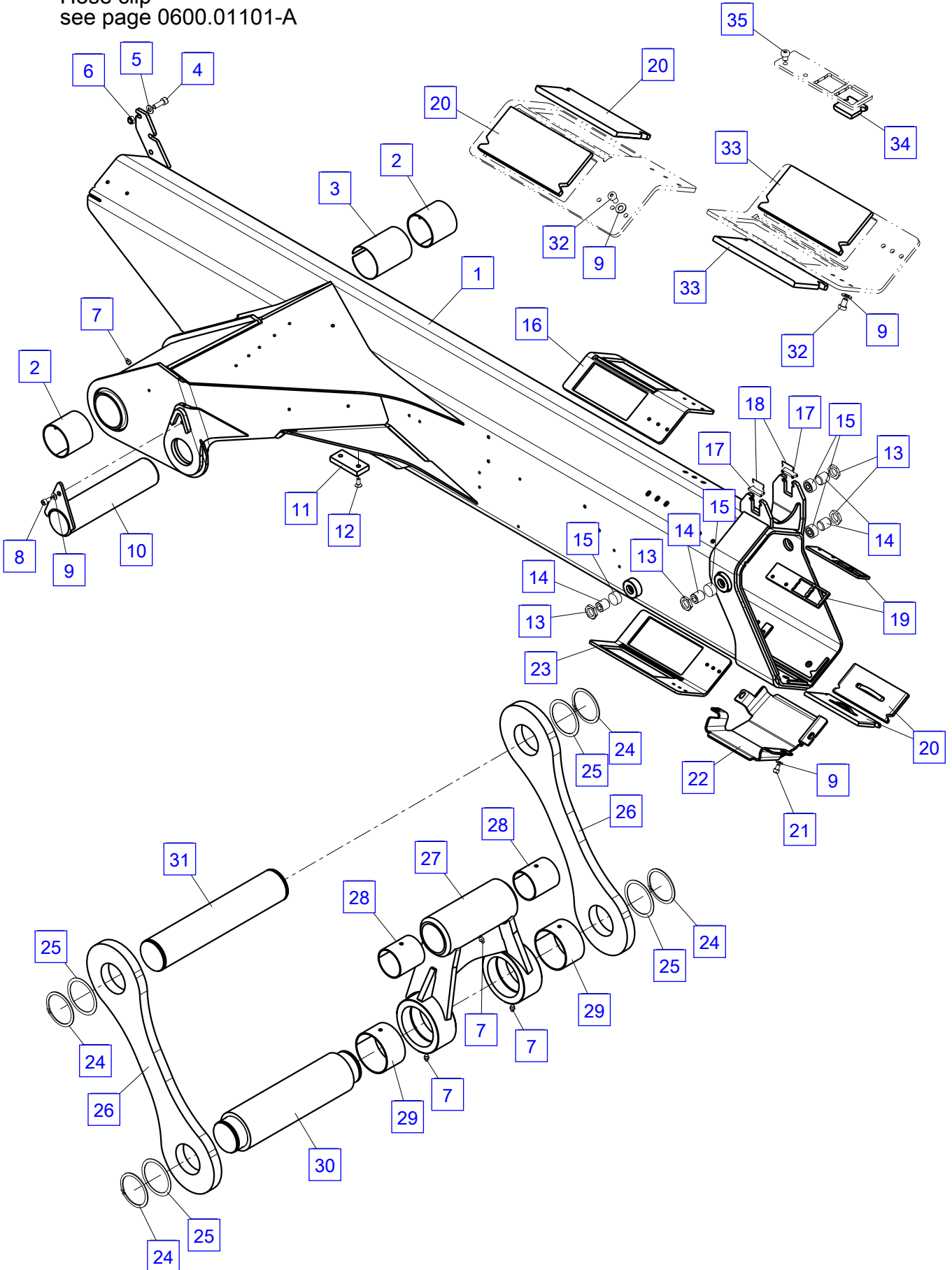
No.	Spare part	Qty.	Description	Dimension
1	UV476-370	1	Load holding valve	
2	EV2151	1	Pressure relief valve	
	TD 853	1	Seal kit	
3	EA 236	3	Locking screw	VSTI R 1/4"
4	EA 074	3	Fitting	GE 16S R1/2"-ED
5	HLA 789A	1	Banjo bolt	1/2"
6	ER 223	1	Back up ring	D19x1,5
7	EO 208	1	O-ring	D 19x1.5
8	HG 142	1	Housing	
9	ED 370	1	Sealing ring	KD 1/2"



Outer boom (PK20001-K)

No.	Spare part	Qty.	Description	Dimension
1	S405K31SA+00001	1	Outer boom (Standard colour RAL 2002)	
2	ELG 019	2	Bearing bush	D 85x80x80
3	HBD 219	1	Spacer	
4	ES 031	2	Screw	M 10x30 ISO4762-10.9
5	EK 007	2	Washer	D 10.5 ISO7089
6	EM 021	2	Nut	DIN 985 M10 CL8 ZB
7	EA 005	4	Grease nipple	M10x1 DIN71412
8	ES 264	1	Screw	M8x16 ISO4762- 8.8
9	EK 003	0	Washer	D 8.4 ISO7089
10	HI7239	1	Pin	D070.0xL0293.0
11	HTR3920	1	Stop buffer	10 mm
11	HTR3921	1	Stop buffer	12 mm
11	HTR3922	1	Stop buffer	13 mm
11	HTR3956	1	Stop buffer	15 mm
11	HTR3957	1	Stop buffer	16 mm
11	HTR3958	1	Stop buffer	18 mm
11	HTR3959	1	Stop buffer	20 mm
11	HTR3923	1	Stop buffer	14 mm
11	HTR3924	1	Stop buffer	8 mm
12	ES 109	2	Screw	M 8x20 ISO14581- 8.8
12	ES 297	2	Screw	M 8x25 ISO14581- 8.8
13	EM 180A	4	Nut	M 24x1.5 DIN 80705
14	HIG 958	4	Pin	D 24x25 mm
15	EZ2847	4	Guide block	D 30x14
16	HA5220B	1	Bearer	
17	HT1040	1	Bearer	L=42 B=19 S=6
17	HT5746	1	Bearer	L=42 B=15 S=6
18	EF 144	2	Spring	
19	HT9379	2	Bearer	L0175xB0045xS005
20	HF1377A+00010	1	Guide block	10 mm
20	HF1377A+00011	1	Guide block	11 mm
20	HF1377A+00012	1	Guide block	12 mm
20	HF1377A+00013	1	Guide block	13 mm
20	HF1377A+00014	1	Guide block	14 mm
20	HF1377A+00015	1	Guide block	15 mm
20	HF1377+00016	1	Guide block	16 mm
20	HF1377+00017	1	Guide block	17 mm
20	HF1377A+00009	1	Guide block	9 mm
21	ES 374	4	Screw	M 8x12 ISO4762- 8.8
22	HA4256A	1	Hose protection	L0303xB0235.6xS004
23	HA9491	2	Bearer	
24	EQ 076	4	Circlip	D 80 DIN 471
25	HBS 889	4	Spacer	1,5 mm
25	HBS 890	4	Spacer	2,0 mm
26	S407L05-A	2	Linkage system	
27	S407L07-A	1	Linkage system (+28,29)	
28	ELG 007	2	Bearing bush	D 70x75x80
29	ELG 190	2	Bearing bush	D 105x100x60
30	HI3080	1	Pin	D100.0xL0402.0
31	HI3079	1	Pin	D080.0xL0402.0
32	ES 051	12	Screw	M 8x16 DIN 7984 8.8
33	HF 926	1	Guide block	9 mm l=180 mm
33	HF 931	1	Guide block	10 mm l=180 mm
33	HF 933	1	Guide block	12 mm l=180 mm
33	HF 970	1	Guide block	13 mm l=180 mm
34	HF1403	1	Guide block	7 mm
34	HF 830	1	Guide block	9 mm
34	HF 831	1	Guide block	10 mm

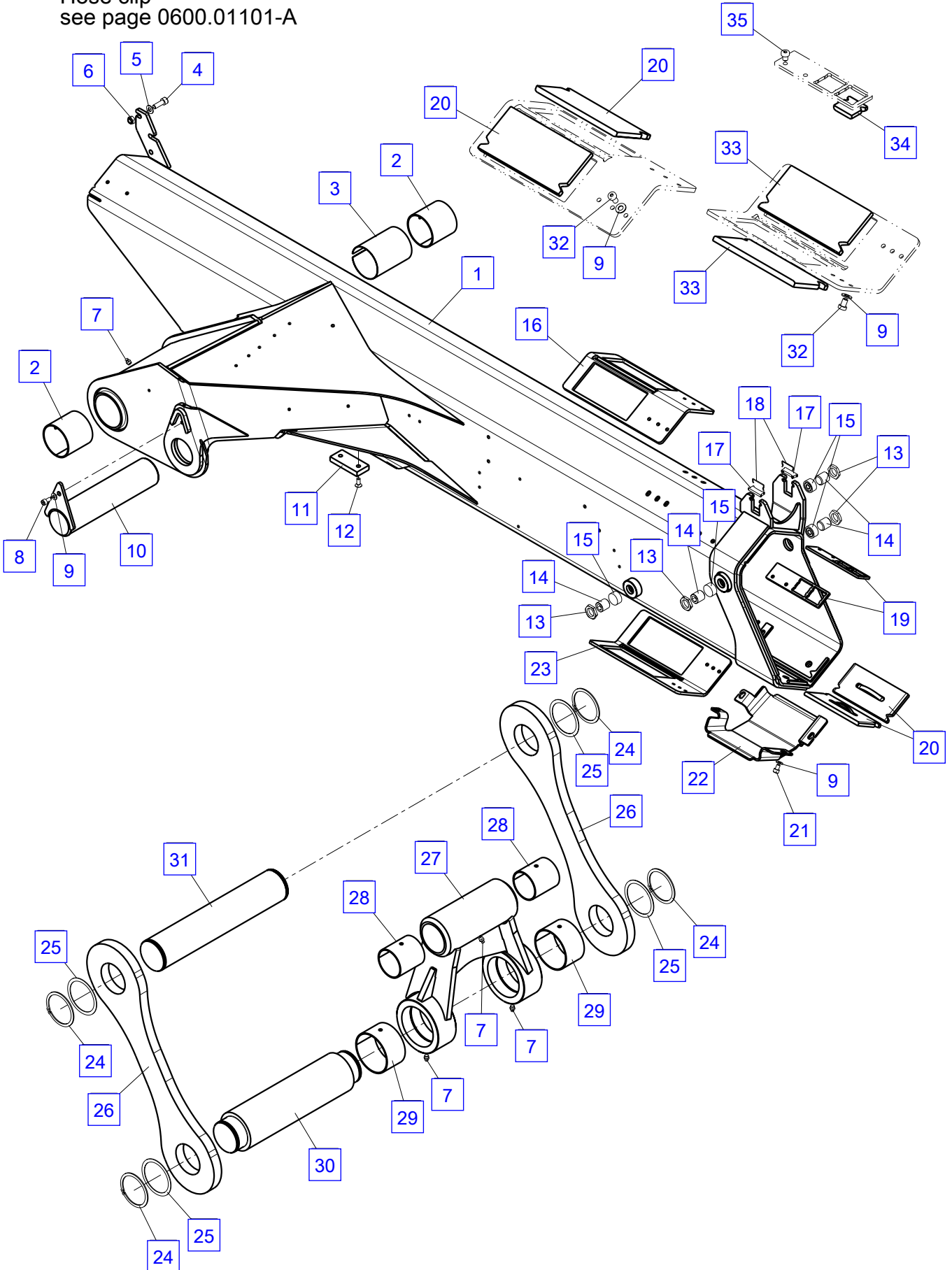
Hose clip
see page 0600.01101-A



Outer boom (PK20001-K)

No.	Spare part	Qty.	Description	Dimension
34	HF 833	1	Guide block	12 mm
34	HF 832	1	Guide block	11 mm
34	HF1404	1	Guide block	6 mm
34	HF 829	1	Guide block	8 mm
35	ES1082	1	Screw	M 8x12 DIN 7984 8.8
35	ES1089	1	Screw	M 8x10 DIN 7984 8.8
35	ES1514	1	Screw	M 8x14 DIN 7984 8.8

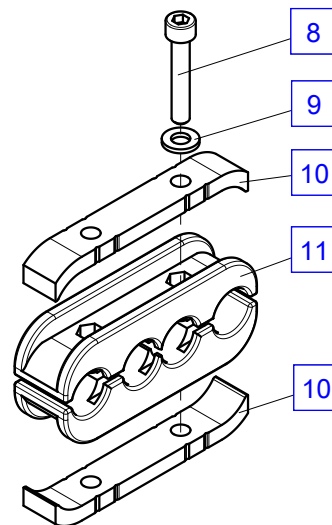
Hose clip
see page 0600.01101-A



Hose clip

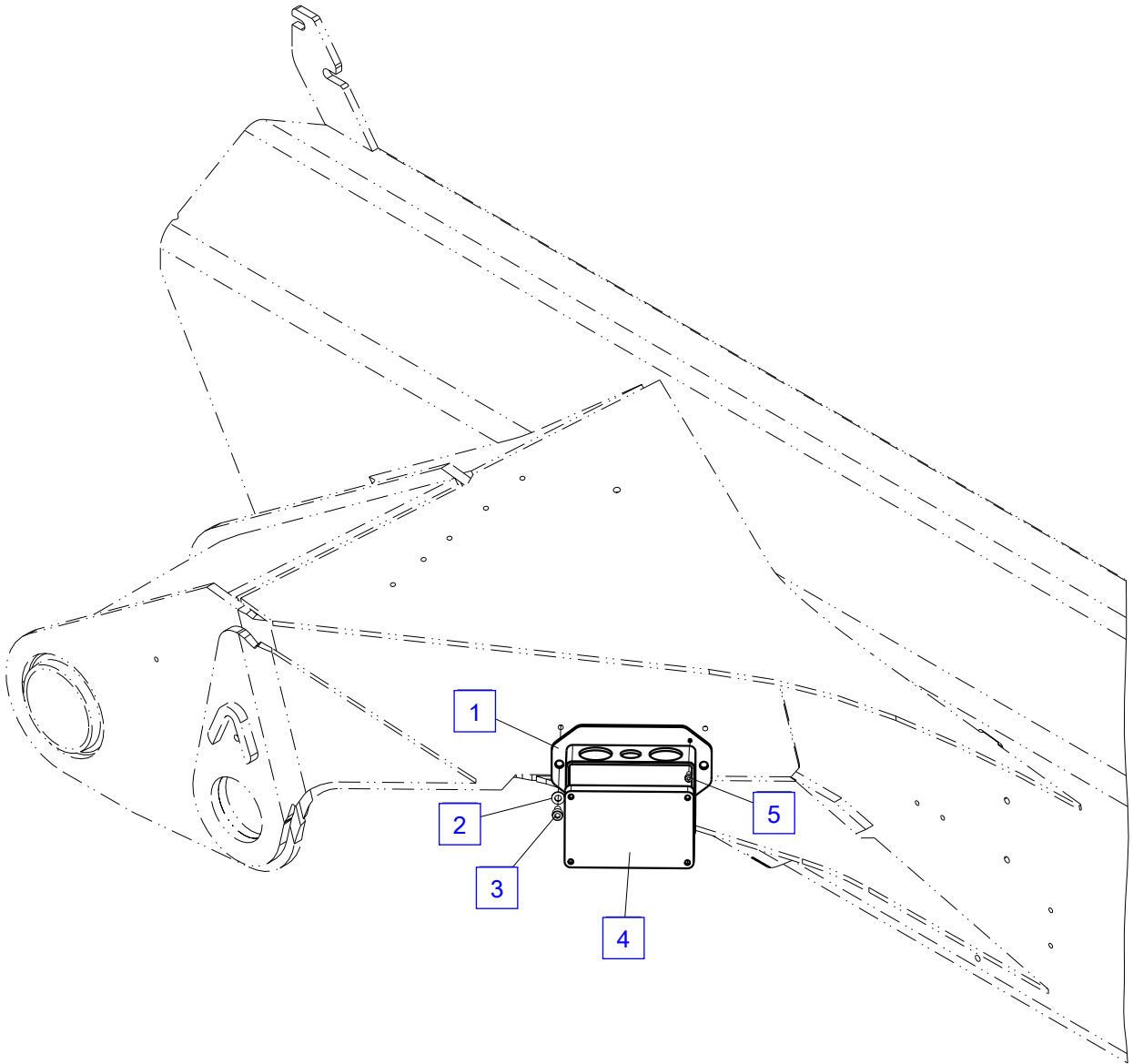
No.	Spare part	Qty.	Description	Dimension
1	ES 104	0	Screw	M 6x50 ISO4762-10.9
3	EZ1718	0	Stop plate	
4	EZ1589	0	Hose clip	NW 10
6	EZ1590	0	Hose clip	NW 12
8	ES 856	6	Screw	M 6x35 ISO4762- 8.8
9	EK 043	6	Washer	D 6.4 DIN 134
10	HTR 810B	6	Plate	L0090.0xB0015.0xS006.0
11	EZ 124	3	Hose clip	D 17x4

Auxiliary equipment



Attachments - Clamp housing

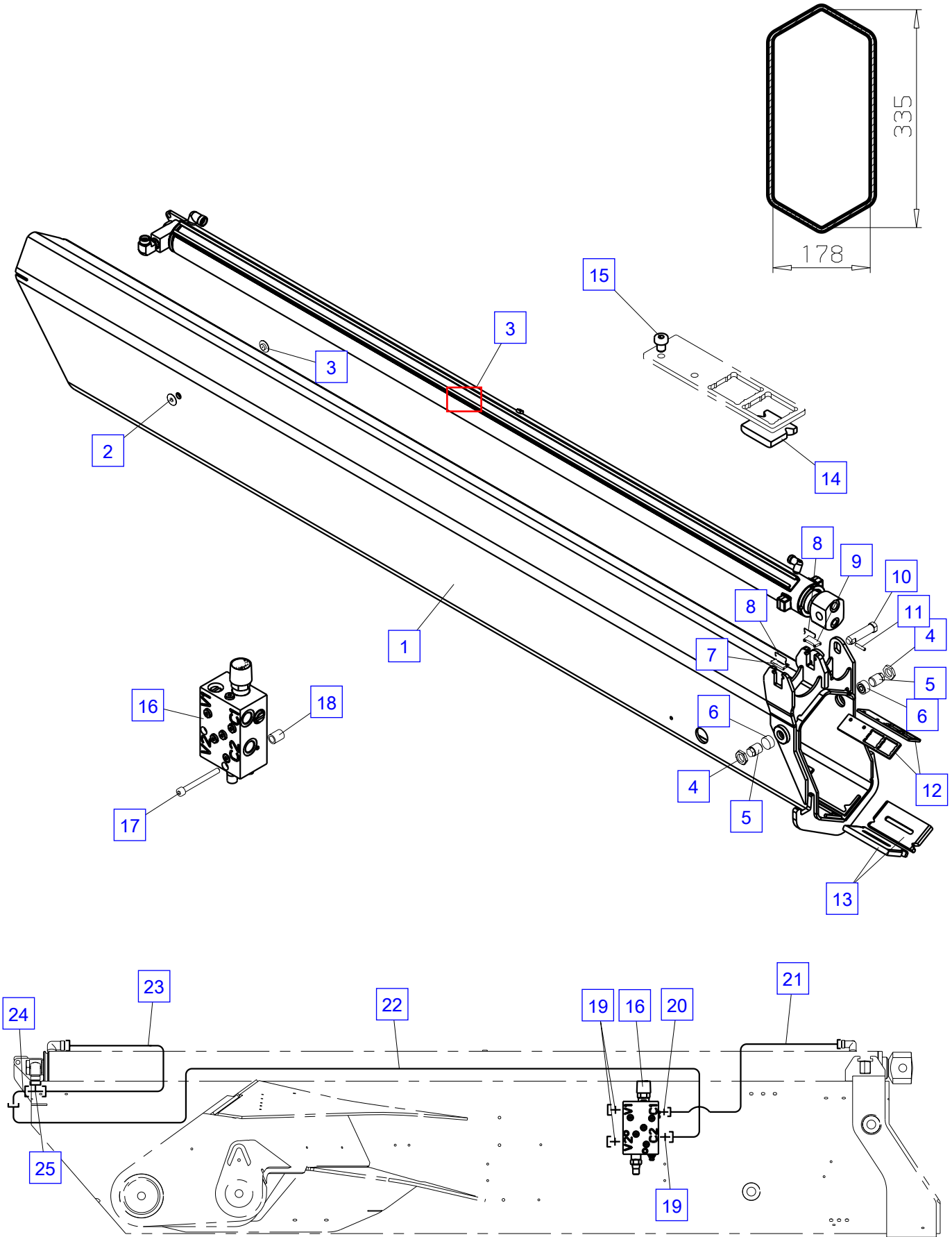
No.	Spare part	Qty.	Description	Dimension
1	HTR4023	1	Fastening plate	
2	EK 190	2	Washer	DIN134-06-ST
3	ES1150	2	Screw	M 6x12 - 8.8 - ISO4762
4	EEA3685	1	Connection box	125x80x57 mm
5	ES 852	2	Screw	ISO4762 M 4 x 10



Extension boom 1 + piping

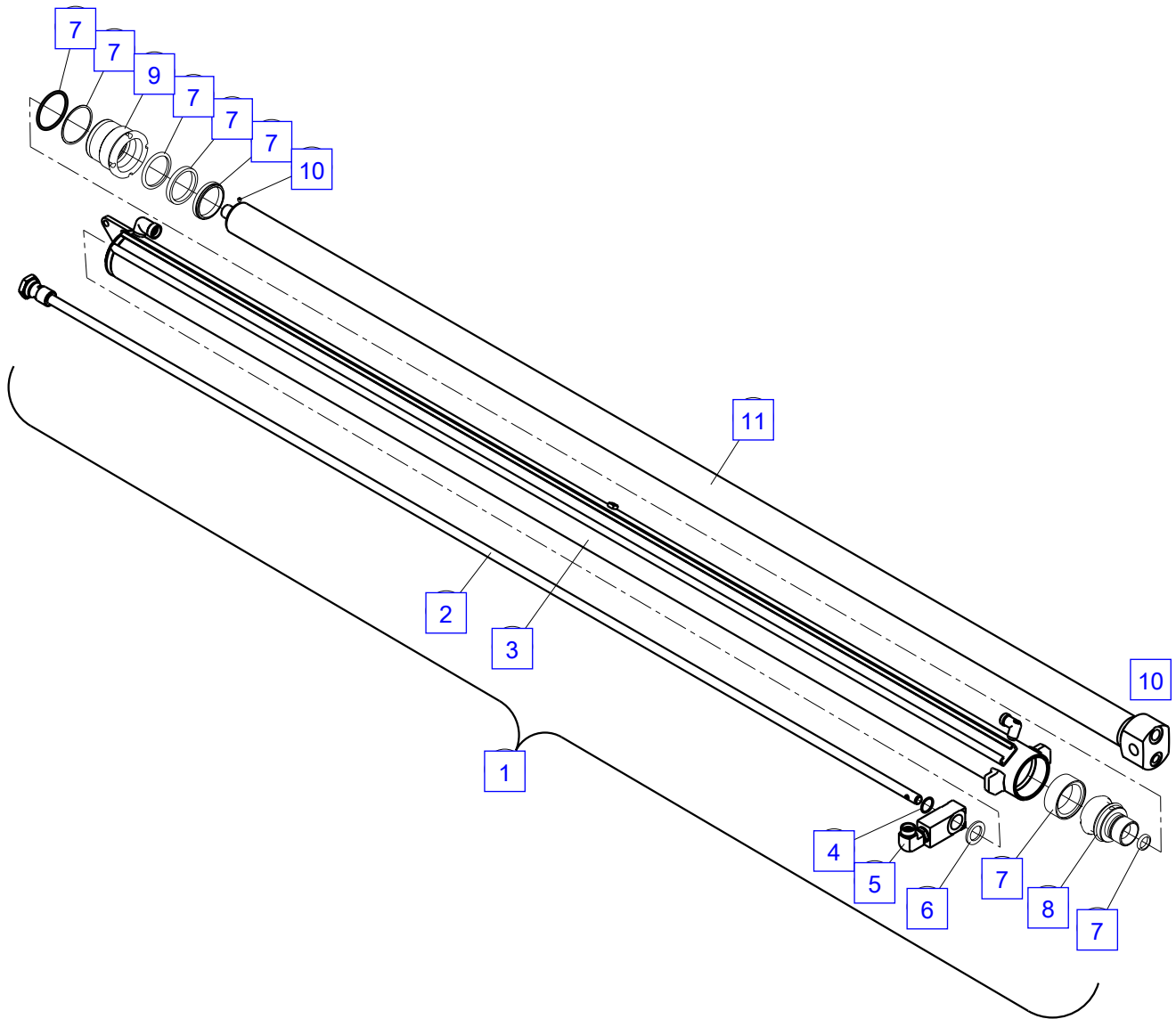
No.	Spare part	Qty.	Description	Dimension
1	S205T01-C	1	Boom extension-1	335x180 mm
2	HF 575A	1	Guide	2 mm
2	HF 576A	1	Guide	4 mm
2	HF 577A	1	Guide	5 mm
2	HF 578A	1	Guide	6 mm
2	HIA 130A	1	Guide	3 mm
2	HF 608A	1	Guide	1,5 mm
2	HF 727A	1	Guide	7 mm
3	UP1620B	1	Extension boom ram see page 0701.01001-A	
4	EM 180A	2	Nut	M 24x1.5 DIN 80705
5	HIG 957	2	Pin	D 24x33 mm
6	EZ2847	2	Guide block	D 30x14
7	HT5746	1	Bearer	L=42 B=15 S=6
8	EF 144	2	Spring	
9	HT1040	1	Bearer	L=42 B=19 S=6
10	HI 919	1	Pin	D 20x78
11	EQ 218	1	Winding pin	D 6x30 ISO8752
12	HT9379	2	Bearer	L0175xB0045xS005
13	HF1378A+00008	1	Guide block	8 mm
13	HF1378A+00009	1	Guide block	9 mm
13	HF1378A+00010	1	Guide block	10 mm
13	HF1378A+00011	1	Guide block	11 mm
13	HF1378A+00012	1	Guide block	12 mm
13	HF1378A+00013	1	Guide block	13 mm
13	HF1378A+00014	1	Guide block	14 mm
13	HF1378A+00015	1	Guide block	15 mm
13	HF1378+00016	1	Guide block	16 mm
14	HF1403	1	Guide block	7 mm
14	HF 830	1	Guide block	9 mm
14	HF 831	1	Guide block	10 mm
14	HF 833	1	Guide block	12 mm
14	HF 832	1	Guide block	11 mm
14	HF1404	1	Guide block	6 mm
14	HF 829	1	Guide block	8 mm
15	ES1082	1	Screw	M 8x12 DIN 7984 8.8
15	ES1089	1	Screw	M 8x10 DIN 7984 8.8
15	ES1514	1	Screw	M 8x14 DIN 7984 8.8
16	UV532-430	1	Load holding valve	
	EK2966	1	Cape, black	
	EK2967	2	Cape, blue	
17	ES1159	2	Screw	M 8x80 ISO4762- 8.8
18	HBS1020A	2	Spacer	l=23 mm
19	EA 074	3	Fitting	GE 16S R1/2"-ED
20	EA 183	1	Fitting	GE 12S R1/2"-ED
21	HLR14299	1	Pipe	D 12
22	HLR14300	1	Pipe	D 16
23	HLR15383	1	Pipe	D 16
24	EA 019	1	Angle fitting	EW 16S
25	EA 052	1	Fitting	ET 16 S

Extension boom 1 + piping



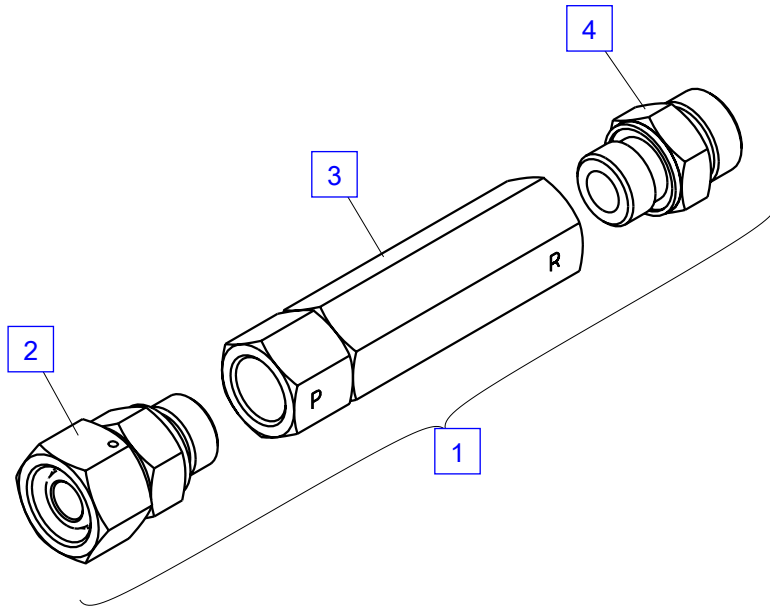
Boom extensions ram 1 details

No.	Spare part	Qty.	Description	Dimension
1	UP1620B	1	Extension boom ram	
2	HLA1116A	1	Inner tube	
3	HY1465	1	Cylinder tube	
4	EO 142	1	O-ring not for EEA11087	D 22x2
5	EV5091	1	Check valve	
6	ED 368	1	Sealing ring	KD 3/4"
7	TD 507A	1	Seal kit	
8	HK 733A	1	Piston	
9	HV 372A	1	Cylinder nut	
10	ES1644	2	Set screw	M 6x6 DIN 914
11	HSK1317A	1	Piston rod	



Pretension valve UV325

No.	Spare part	Qty.	Description	Dimension
1	EV9197-020	1	Pretension valve	20 bar
2	EA 181	1	Fitting	EGE 16S R1/2"-ED
3	EV 363/020	1	Pretension valve	20 bar
4	EA 074	1	Fitting	GE 16S R1/2"-ED

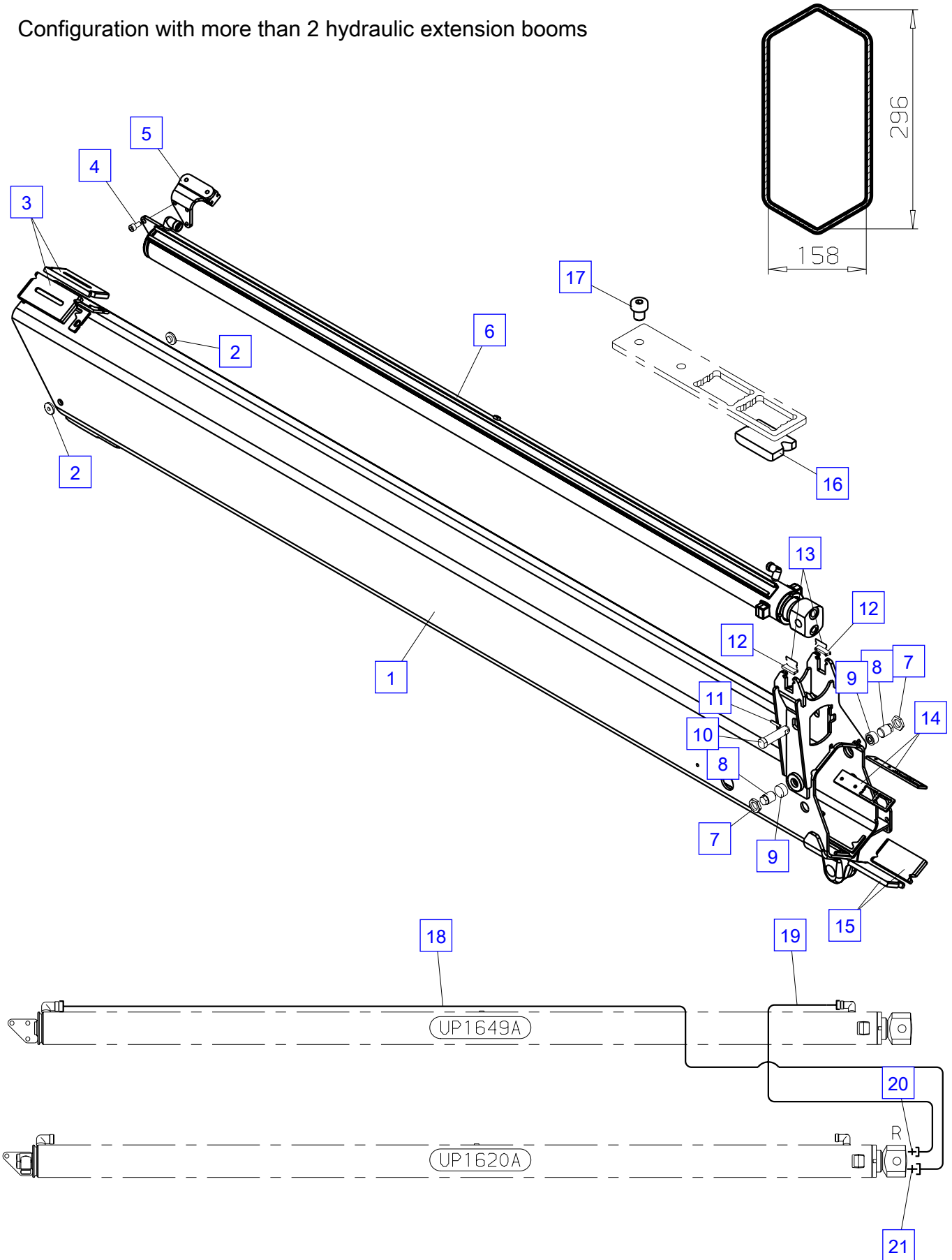


Extension boom 2 + piping

No.	Spare part	Qty.	Description	Dimension
1	S205T02-C	1	Boom extension-2	296x160 mm
2	HF 575A	1	Guide	2 mm
2	HF 576A	1	Guide	4 mm
2	HF 577A	1	Guide	5 mm
2	HF 578A	1	Guide	6 mm
2	HIA 130A	1	Guide	3 mm
2	HF 608A	1	Guide	1,5 mm
2	HF 727A	1	Guide	7 mm
3	HF1378A+00008	1	Guide block	8 mm
3	HF1378A+00009	1	Guide block	9 mm
3	HF1378A+00010	1	Guide block	10 mm
3	HF1378A+00011	1	Guide block	11 mm
3	HF1378A+00012	1	Guide block	12 mm
3	HF1378A+00013	1	Guide block	13 mm
3	HF1378A+00014	1	Guide block	14 mm
3	HF1378A+00015	1	Guide block	15 mm
3	HF1378+00016	1	Guide block	16 mm
4	ES 050	3	Screw	M 10x20 ISO4762-10.9
5	HXE2341A	1	Cylinder guide	
	HA6610A	1	Bearer	L0127.3xB0102xS008
	EZ2402A	1	Guide block	
	ES 828	2	Screw	M 10x40 ISO14581-8.8
	EM 006	2	Nut	DIN 934 M10 CL8 ZB
6	UP1649A	1	Extension boom ram see page 0701.02101-A	
7	EM 180A	2	Nut	M 24x1.5 DIN 80705
8	HIG 957	2	Pin	D 24x33 mm
9	EZ2847	2	Guide block	D 30x14
10	HI 919	1	Pin	D 20x78
11	EQ 218	1	Winding pin	D 6x30 ISO8752
12	HT5746	2	Bearer	L=42 B=15 S=6
13	EF 144	2	Spring	
14	HT9380	2	Bearer	L0175xB0035xS005
15	HF1379A+00008	1	Guide block	8 mm
15	HF1379A+00009	1	Guide block	9 mm
15	HF1379A+00010	1	Guide block	10 mm
15	HF1379A+00011	1	Guide block	11 mm
15	HF1379A+00012	1	Guide block	12 mm
15	HF1379A+00013	1	Guide block	13 mm
16	HF1402	1	Guide block	6 mm
16	HF 825	1	Guide block	9 mm
16	HF 826	1	Guide block	10 mm
16	HF 827	1	Guide block	11 mm
16	HF 828	1	Guide block	12 mm
16	HF1401	1	Guide block	7 mm
16	HF 824	1	Guide block	8 mm
17	ES1082	1	Screw	M 8x12 DIN 7984 8.8
17	ES1089	1	Screw	M 8x10 DIN 7984 8.8
17	ES1514	1	Screw	M 8x14 DIN 7984 8.8
18	HLR 9428	1	Pipe	D 16
19	HLR 9429	1	Pipe	D 12
20	EA 039	1	Fitting	GE 12S R3/8"-ED
21	EA 074	1	Fitting	GE 16S R1/2"-ED

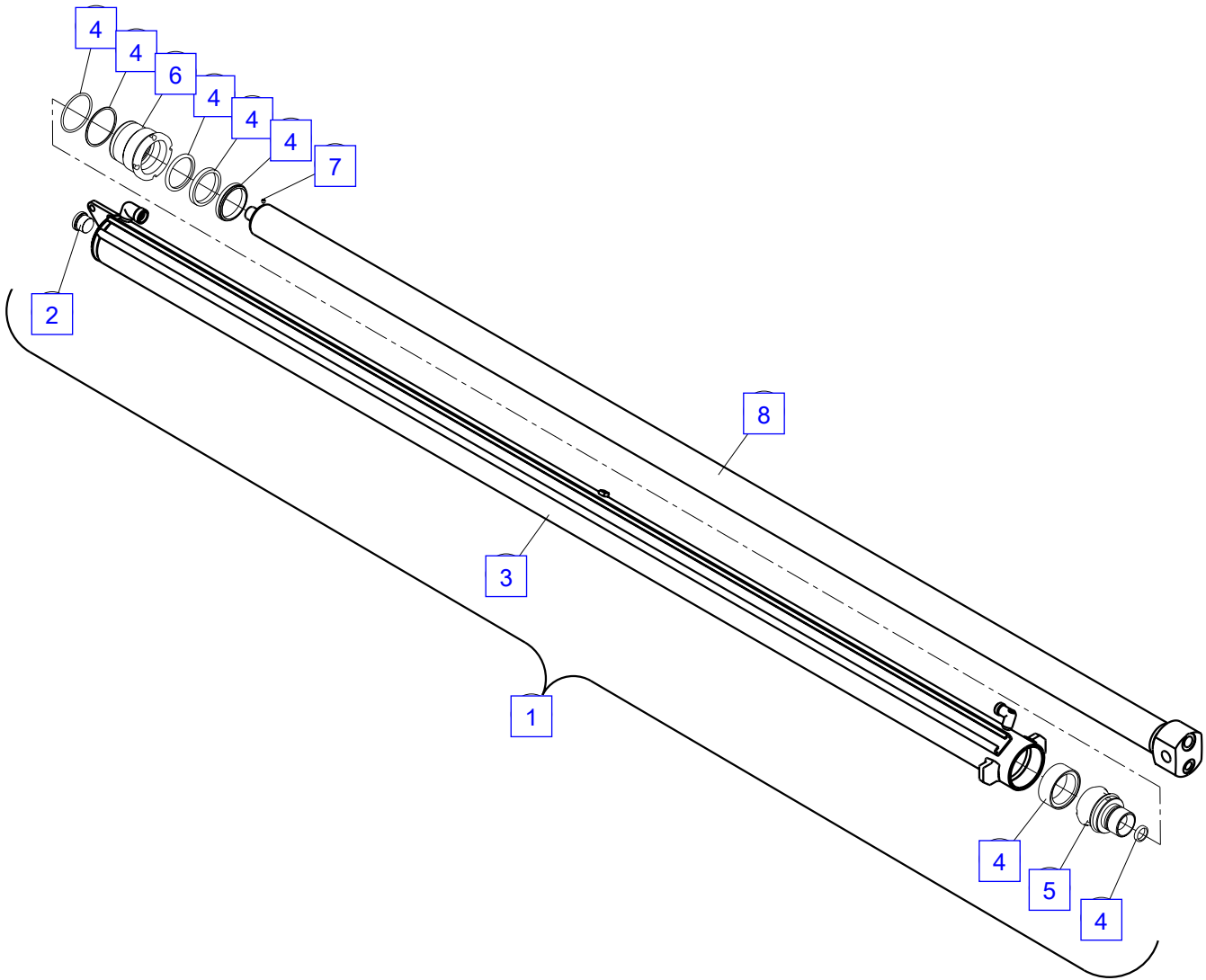
Extension boom 2 + piping

Configuration with more than 2 hydraulic extension booms



Boom extensions ram 2 details

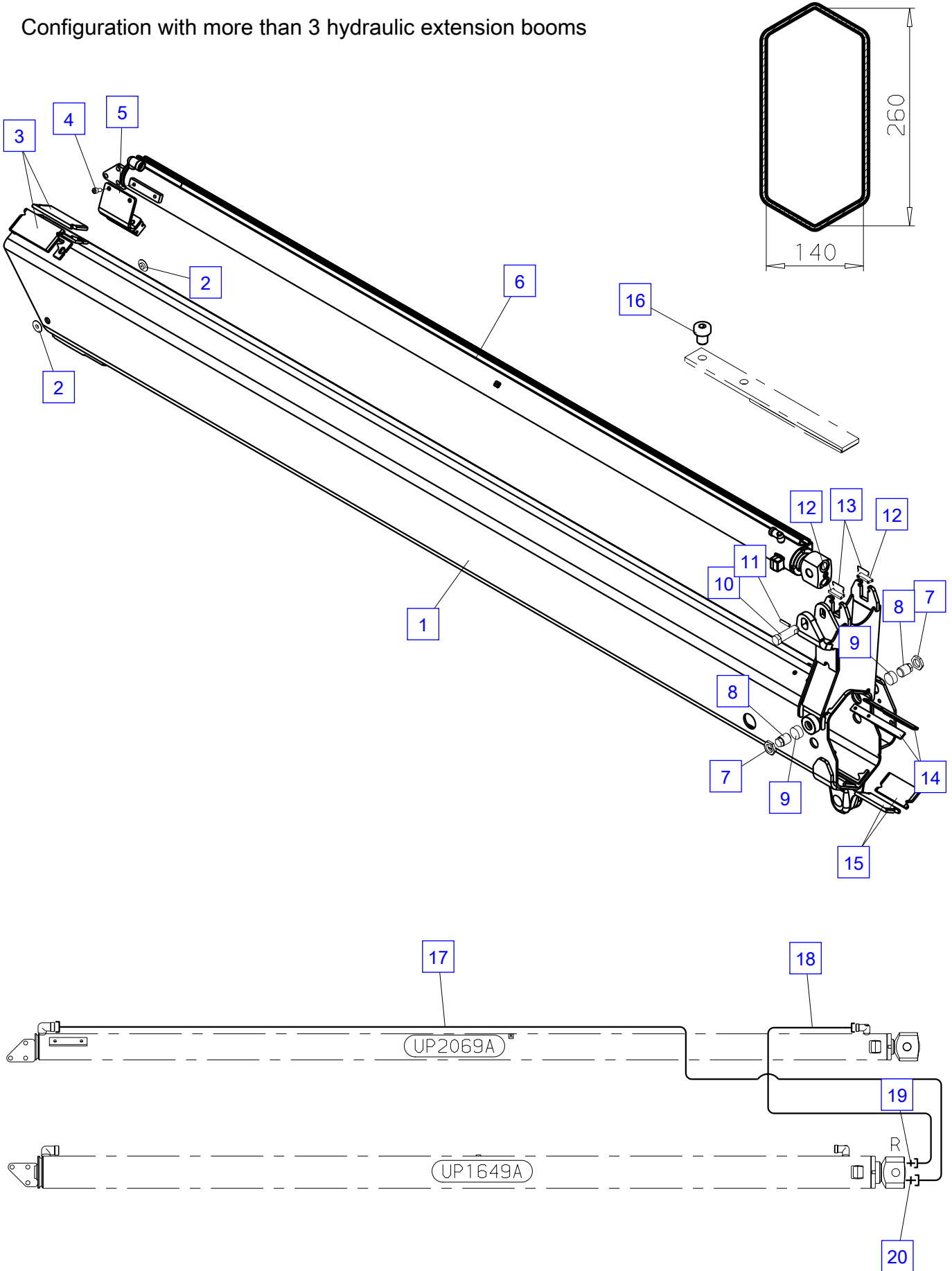
No.	Spare part	Qty.	Description	Dimension
1	UP1649A	1	Extension boom ram	
2	ES 111	1	Locking screw	VSTI R3/4"
3	HY1465	1	Cylinder tube	
4	TD 507A	1	Seal kit	
5	HK 733A	1	Piston	
6	HV 372A	1	Cylinder nut	
7	ES1644	2	Set screw	M 6x6 DIN 914
8	HSK1317A	1	Piston rod	



Extension boom 3 + piping

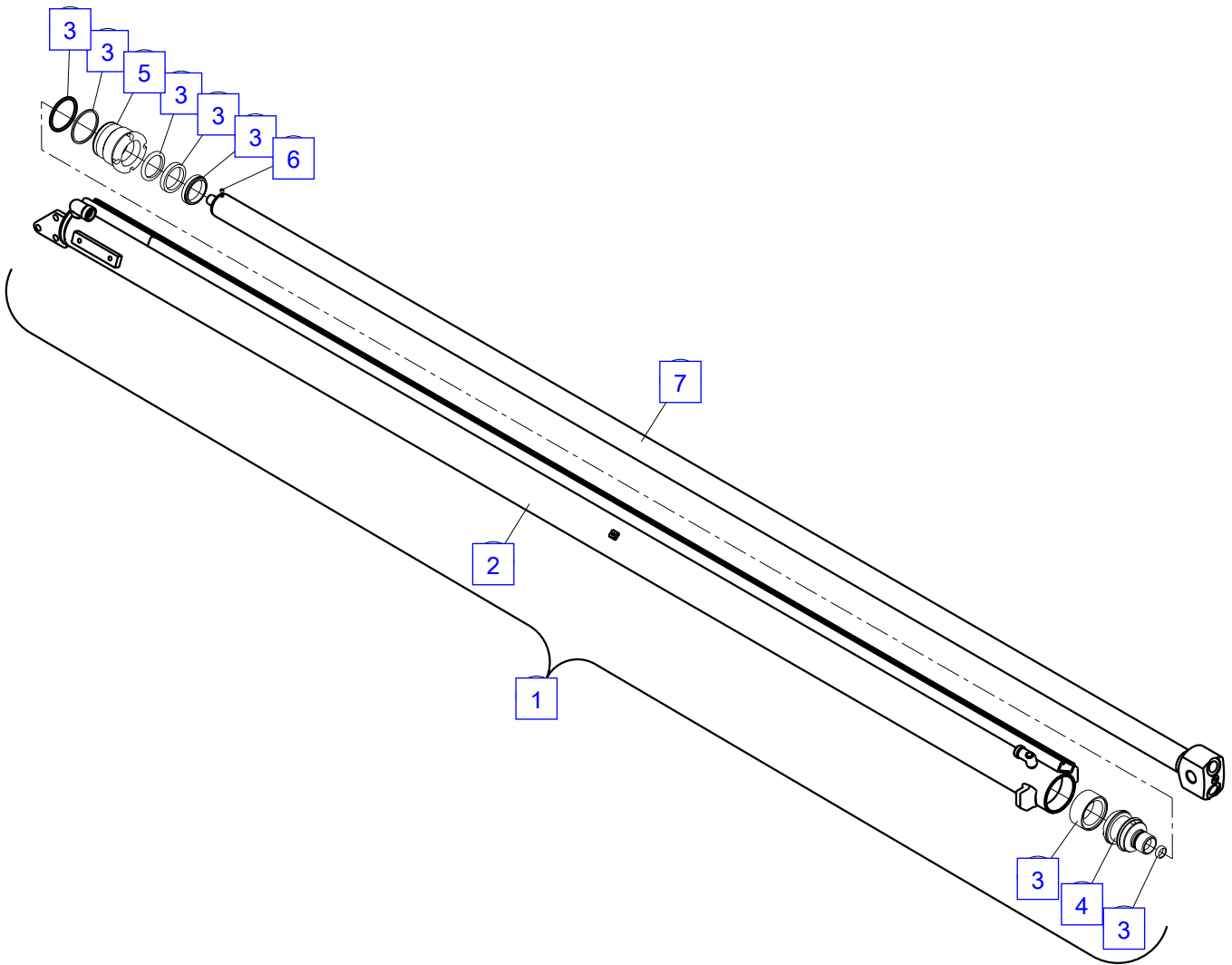
No.	Spare part	Qty.	Description	Dimension
1	S205T03-C	1	Boom extension-3	260x140 mm
2	HF 608A	1	Guide	1,5 mm
2	HF 575A	1	Guide	2 mm
2	HIA 130A	1	Guide	3 mm
2	HF 576A	1	Guide	4 mm
2	HF 577A	1	Guide	5 mm
2	HF 578A	1	Guide	6 mm
2	HF 727A	1	Guide	7 mm
2	HF 728A	1	Guide	8 mm
2	HF 899A	1	Guide	9 mm
2	HF 900A	1	Guide	10 mm
3	HF1379A+00008	1	Guide block	8 mm
3	HF1379A+00009	1	Guide block	9 mm
3	HF1379A+00010	1	Guide block	10 mm
3	HF1379A+00011	1	Guide block	11 mm
3	HF1379A+00012	1	Guide block	12 mm
3	HF1379A+00013	1	Guide block	13 mm
4	ES 264	2	Screw	M8x16 ISO4762- 8.8
5	HXE8983A	1	Cylinder guide	
	EM 006	2	Nut	DIN 934 M10 CL8 ZB
	EZ2402A	1	Guide block	
	ES 828	2	Screw	M 10x40 ISO14581-8.8
6	UP2069A	1	Extension boom ram see page 0701.03101-A	Cr
7	EM 180A	2	Nut	M 24x1.5 DIN 80705
8	HIG 957	2	Pin	D 24x33 mm
9	EZ2847	2	Guide block	D 30x14
10	HI 704	1	Pin	D020.0xL0055.0
11	EQ 218	1	Winding pin	D 6x30 ISO8752
12	HT5746	2	Bearer	L=42 B=15 S=6
13	EF 144	2	Spring	
14	HTR4127	1	Guide block	0.5 mm
14	HTR3667A	1	Guide block	9 mm
14	HTR3331A	1	Guide block	7 mm
14	HTR4280A	1	Guide block	12 mm
14	HTR4125A	1	Guide block	5 mm
14	HTR2953A	1	Guide block	10 mm
14	HTR2952A	1	Guide block	8 mm
14	HTR2951A	1	Guide block	6 mm
14	HTR2982	1	Guide block	1 mm
15	HF1385A+00015	1	Guide block	15 mm
15	HF1385A+00014	1	Guide block	14 mm
15	HF1385A+00013	1	Guide block	13 mm
15	HF1385A+00012	1	Guide block	12 mm
15	HF1385A+00011	1	Guide block	11 mm
15	HF1385A+00010	1	Guide block	10 mm
15	HF1385A+00009	1	Guide block	9 mm
15	HF1385A+00008	1	Guide block	8 mm
16	ES1089	4	Screw	M 8x10 DIN 7984 8.8
17	HLR 9430	1	Pipe	D 16
18	HLR 9431	1	Pipe	D 12
19	EA 039	1	Fitting	GE 12S R3/8"-ED
20	EA 074	1	Fitting	GE 16S R1/2"-ED

Configuration with more than 3 hydraulic extension booms



Boom extensions ram 3 details

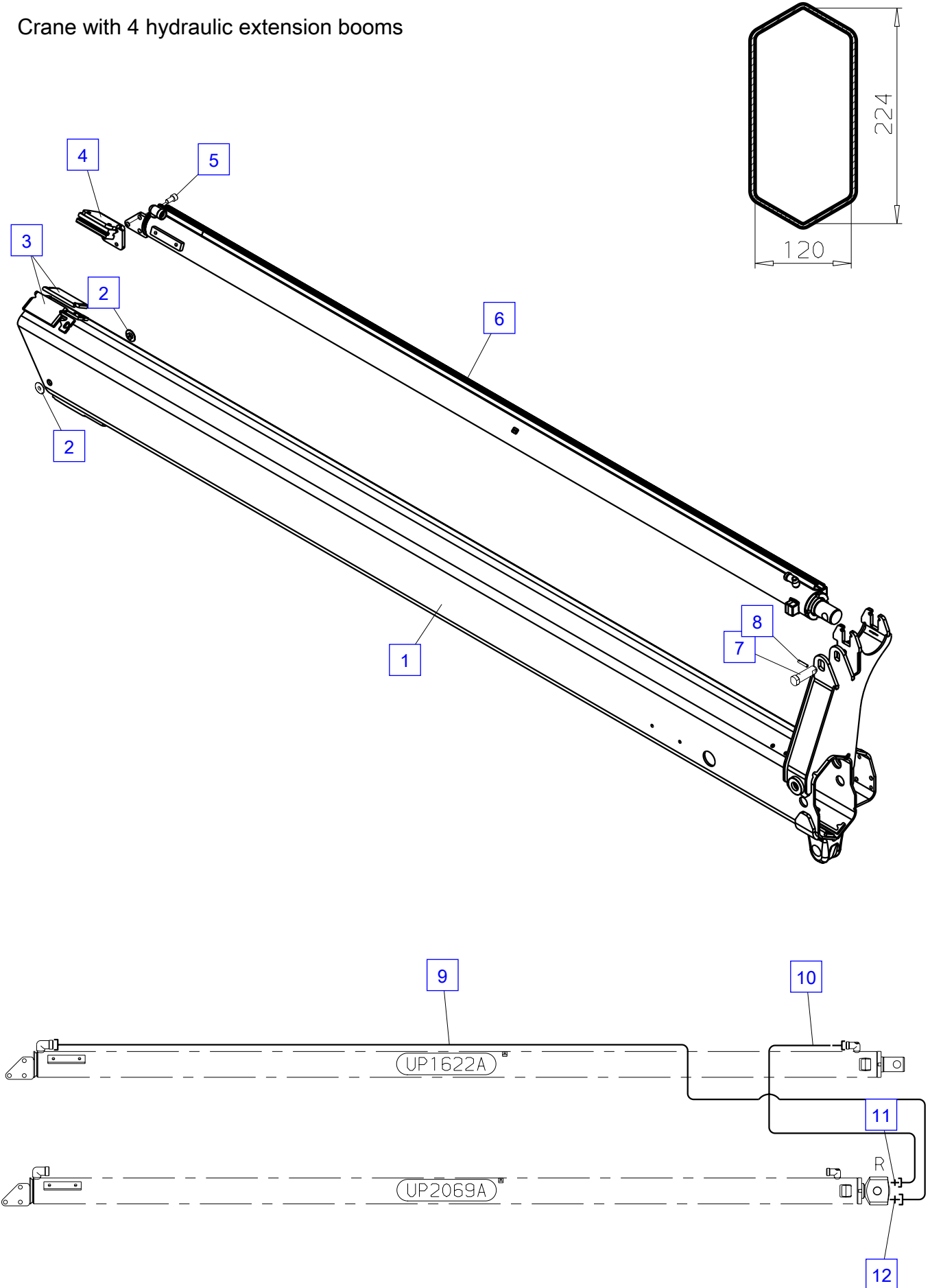
No.	Spare part	Qty.	Description	Dimension
1	UP2069A	1	Extension boom ram	Cr
2	HY1833	1	Cylinder tube	d090
3	TD 528A	1	Seal kit	
4	HK 300B	1	Piston	D060xL083.0 M032x1.5
5	HV 370A	1	Cylinder nut	M064x2.0 d040xL060
6	ES1644	2	Set screw	M 6x6 DIN 914
7	HSK1318A	1	Piston rod	Cr



Extension boom 4 + piping

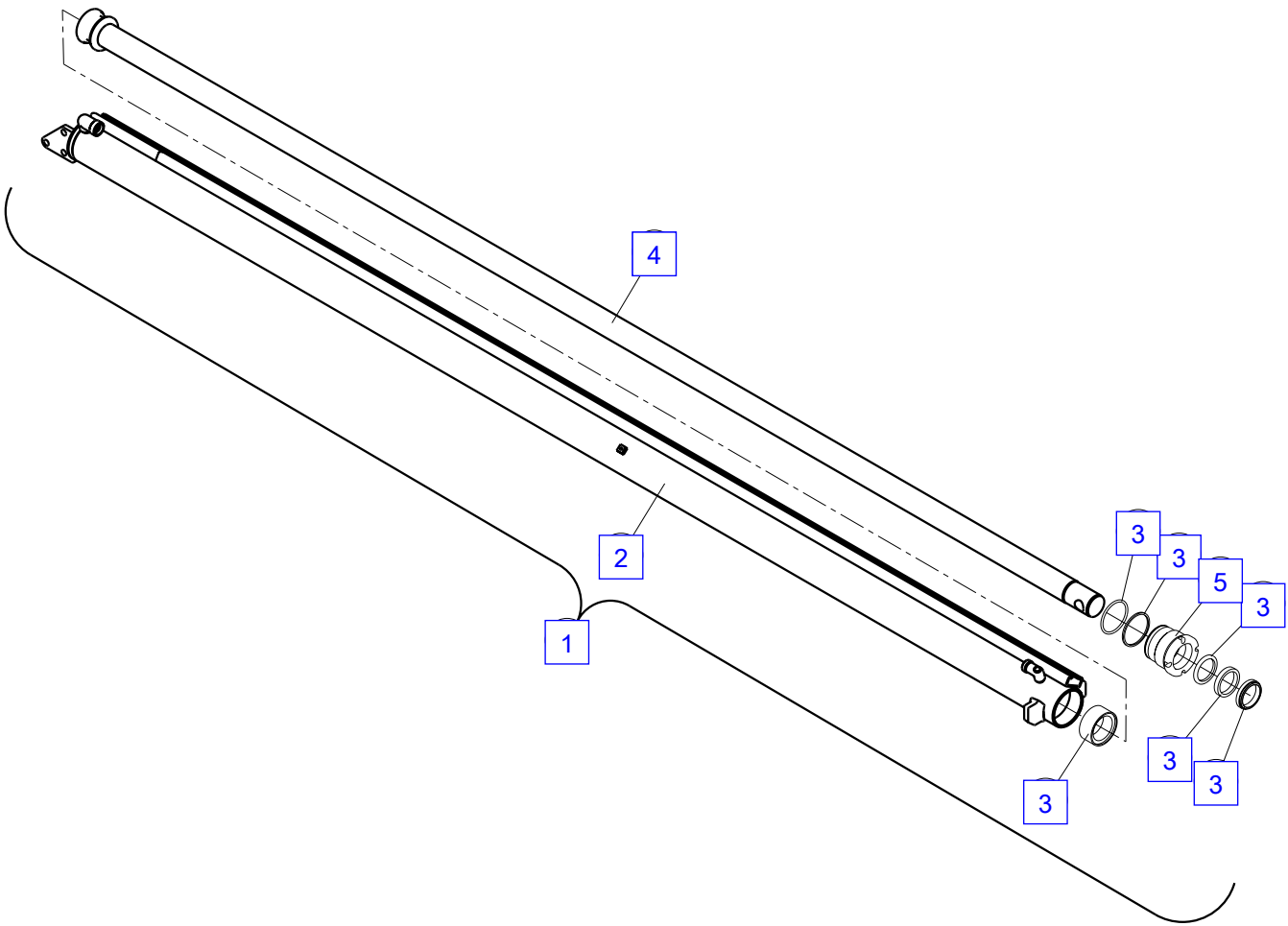
No.	Spare part	Qty.	Description	Dimension
1	S205T04-C	1	Boom extension-4	224x120 mm
2	HF 608A	1	Guide	1,5 mm
2	HF 575A	1	Guide	2 mm
2	HIA 130A	1	Guide	3 mm
2	HF 576A	1	Guide	4 mm
2	HF 577A	1	Guide	5 mm
2	HF 578A	1	Guide	6 mm
2	HF 727A	1	Guide	7 mm
2	HF 728A	1	Guide	8 mm
2	HF 899A	1	Guide	9 mm
2	HF 900A	1	Guide	10 mm
3	HF1385A+00015	1	Guide block	15 mm
3	HF1385A+00014	1	Guide block	14 mm
3	HF1385A+00013	1	Guide block	13 mm
3	HF1385A+00012	1	Guide block	12 mm
3	HF1385A+00011	1	Guide block	11 mm
3	HF1385A+00010	1	Guide block	10 mm
3	HF1385A+00009	1	Guide block	9 mm
3	HF1385A+00008	1	Guide block	8 mm
4	HXE2343A	1	Cylinder guide	
	EM 006	2	Nut	DIN 934 M10 CL8 ZB
	EZ2402A	1	Guide block	
	ES 828	2	Screw	M 10x40 ISO14581-8.8
5	ES 050	3	Screw	M 10x20 ISO4762-10.9
6	UP1622A	1	Extension boom ram see page 0701.04001-A	Cr
7	HI 704	1	Pin	D020.0xL0055.0
8	EQ 218	1	Winding pin	D 6x30 ISO8752
9	HLR 9432	1	Pipe	D 16
10	HLR 9433	1	Pipe	D 12
11	EA 183	1	Fitting	GE 12S R1/2"-ED
12	EA 074	1	Fitting	GE 16S R1/2"-ED

Crane with 4 hydraulic extension booms



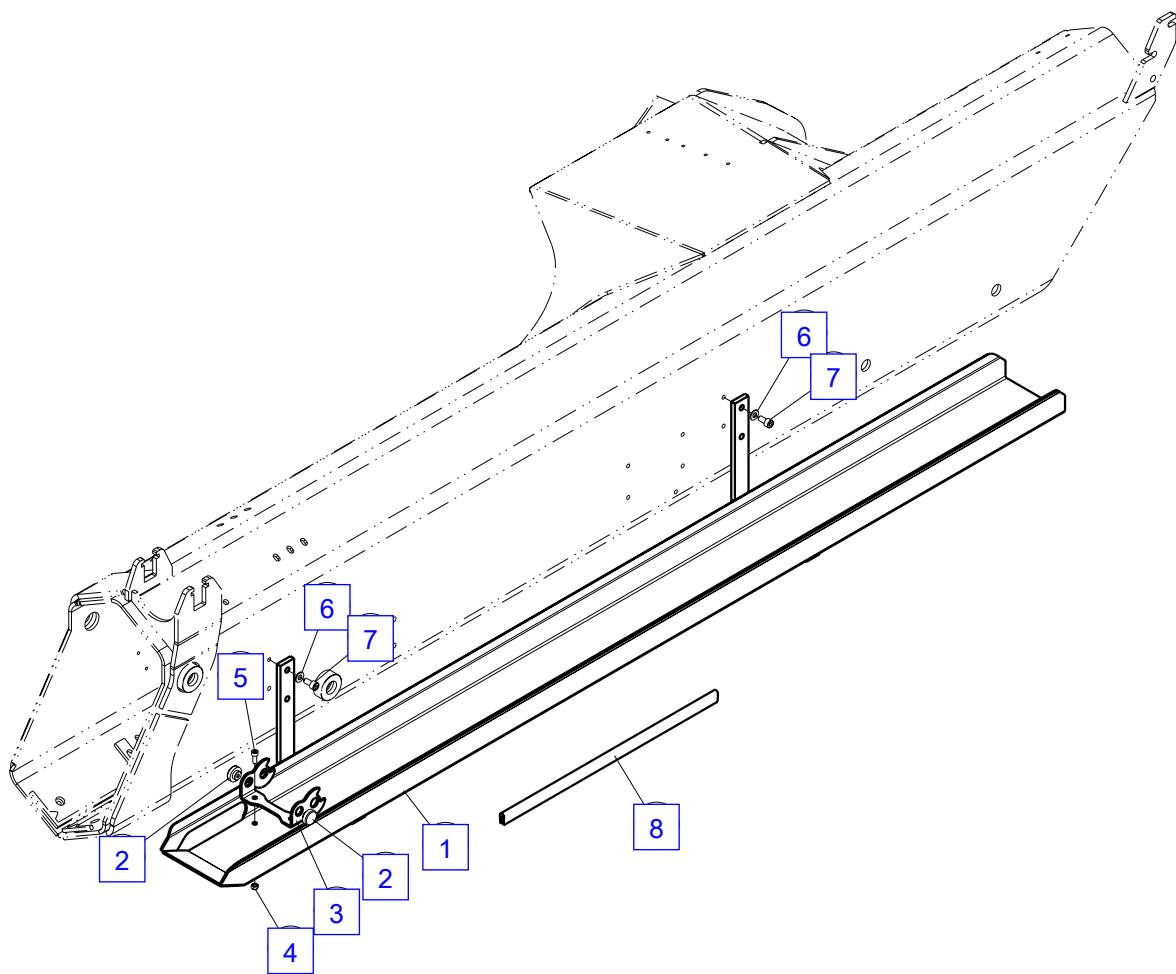
Boom extensions ram 4 details

No.	Spare part	Qty.	Description	Dimension
1	UP1622A	1	Extension boom ram	Cr
2	HY1466	1	Cylinder tube	d060
3	TD 528A	1	Seal kit	
4	HSK1321+00001	1	Piston rod D040xL2320	Cr
5	HV 370A	1	Cylinder nut	M064x2.0 d040xL060



Outer boom

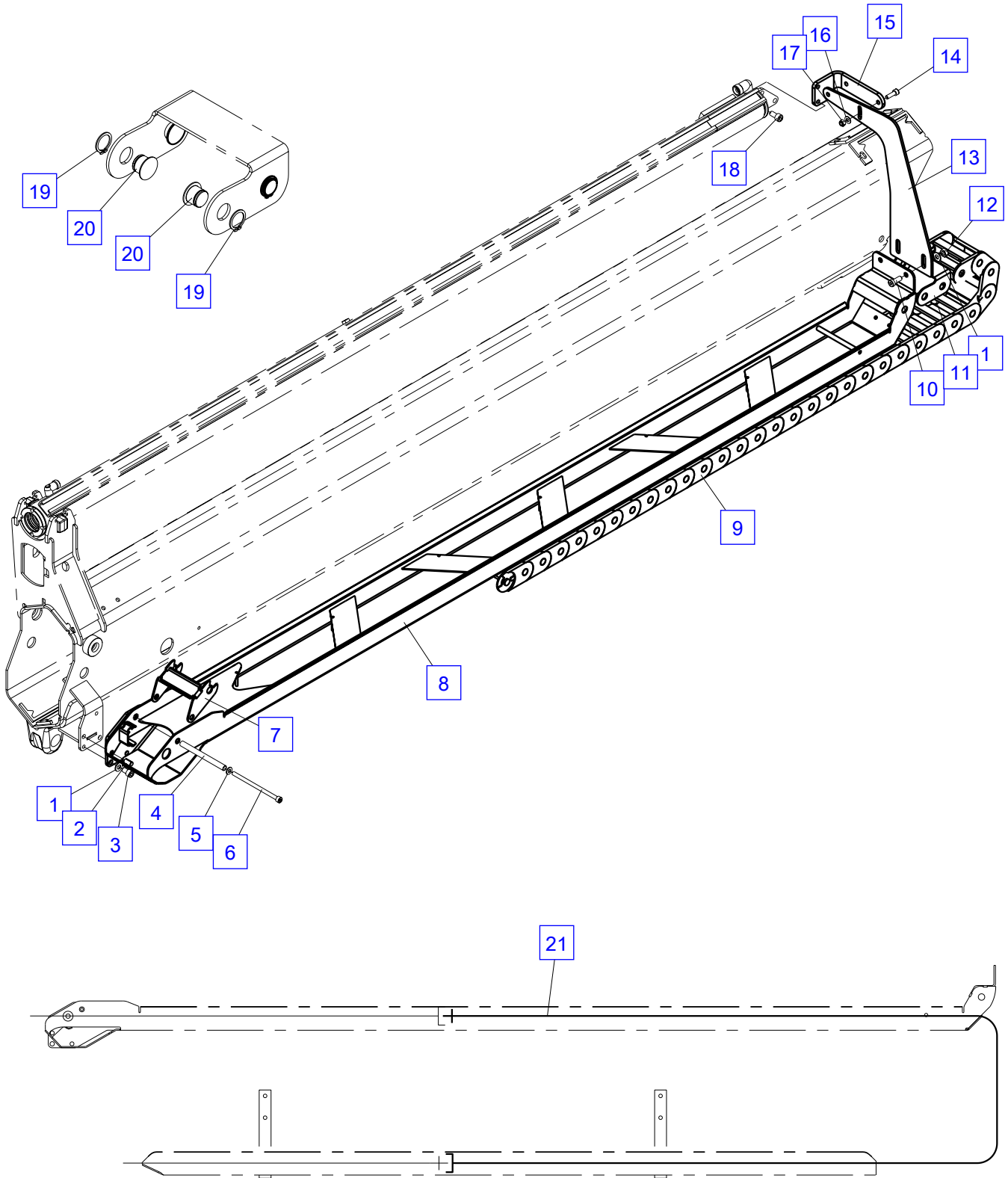
No.	Spare part	Qty.	Description	Dimension
1	HXE2015	1	Hose tray	b= 100mm
2	HF 345	2	Guide	7 mm
3	HA6689	1	Bracket	b= 100mm
4	EM 014	2	Nut	DIN 985-8 M 6
5	ES 175	2	Screw	M 6x16 ISO4762- 8.8
6	EK 003	4	Washer	D 8.4 ISO7089
7	ES 264	4	Screw	M8x16 ISO4762- 8.8
8	EZ 578	0	Edge protection (metro goods)	4-6 mm



Hose tray 2

No.	Spare part	Qty.	Description	Dimension
1	EK 007	4	Washer	D 10.5 ISO7089
2	EQ 044	2	Winding pin	D 10x20 DIN1481
3	ES 024	2	Screw	M 10x16 ISO4762-10.9
4	HBS3341	1	Spacer	D=12x9 L=134
5	EK 003	1	Washer	D 8.4 ISO7089
6	ES1168	1	Screw	M 8x140 ISO4762- 8.8
7	HA9942	1	Bearer	
8	HXE2016A	1	Hose tray	
9	EZ3096+00019	1	Link chain (39-sections)	
	EZ1755	1	Chain link	b=100mm
	EZ1756	1	Chain link - folding	b=100 mm
	EZ1775	1	Sheeting	
10	ES 587	2	Screw	M 10x25 DIN7984
11	HA6679	1	Bracket	b= 100mm
12	EM 021	2	Nut	DIN 985 M10 CL8 ZB
13	HT6652	1	Bearer	L0365.0xB0338xS005
14	ES 006	2	Screw	M 8x25 ISO4762-10.9
15	HA7551A	1	Bearer	L0210.0xB0060xS008
16	EK 003	2	Washer	D 8.4 ISO7089
17	EM 026	2	Nut	M 8 DIN 985
18	ES 050	3	Screw	M 10x20 ISO4762-10.9
19	EQ 011	4	Circlip	D 16 DIN 471
20	HI2993	4	Pin	D=22 L=15
21	EH7453A	0	Hose	NW 10x4850

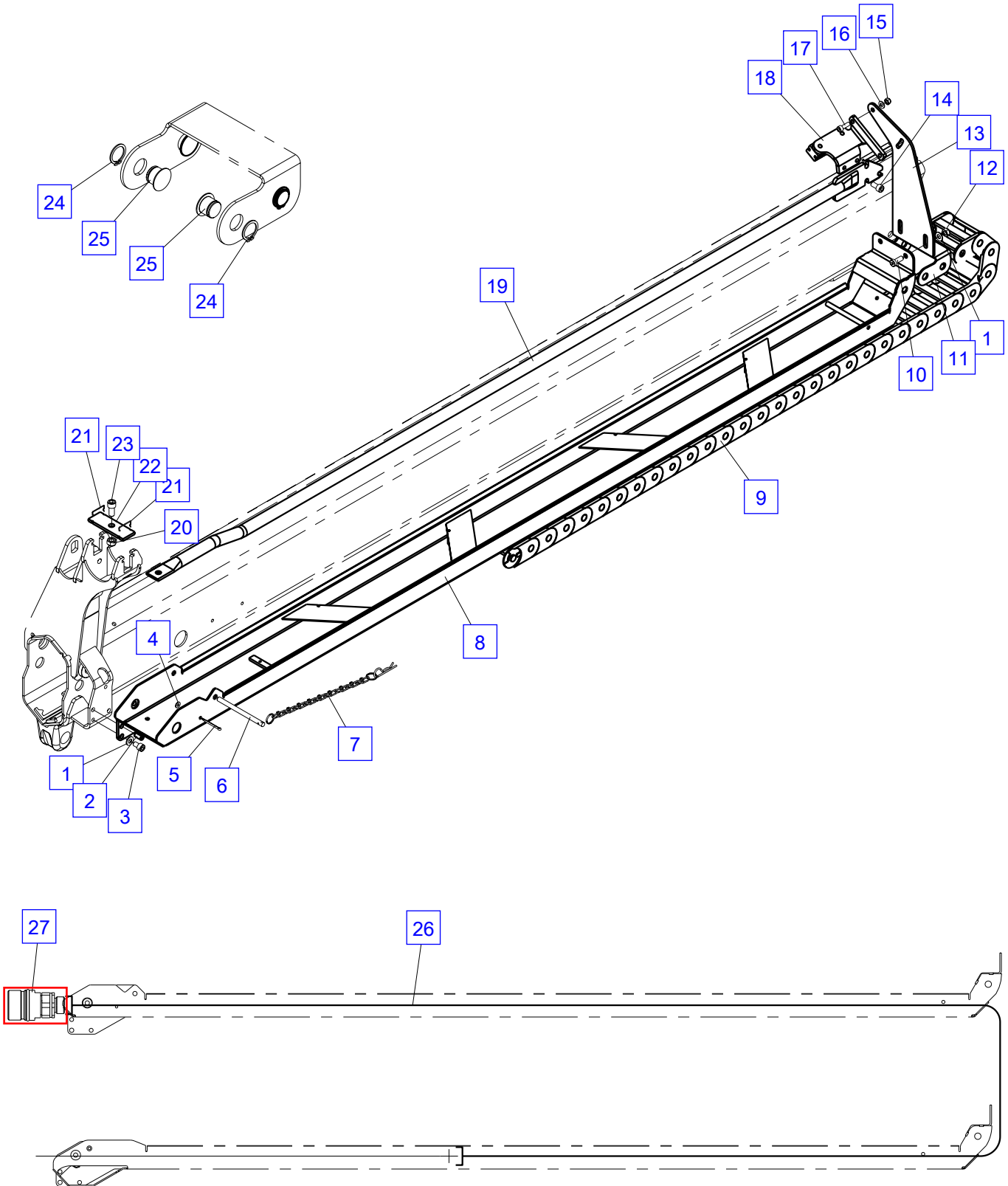
Configuration with more than 2 hydraulic extension booms



Hose tray 4

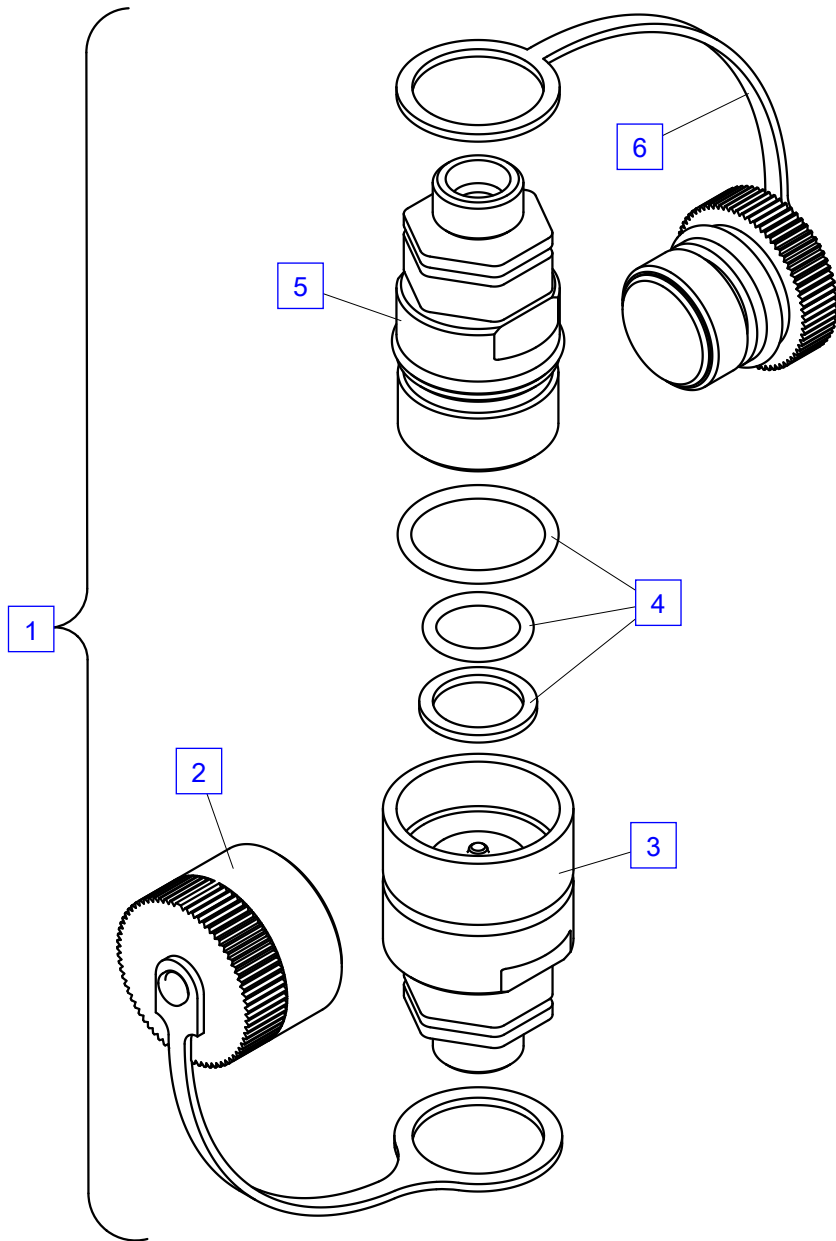
No.	Spare part	Qty.	Description	Dimension
1	EK 007	4	Washer	D 10.5 ISO7089
2	EQ 044	2	Winding pin	D 10x20 DIN1481
3	ES 024	2	Screw	M 10x16 ISO4762-10.9
4	EK 043	1	Washer	D 6.4 DIN 134
5	EQ1313	1	Split pin	D 5x30 ISO 1234 A2
6	HI2908	1	Pin	b= 100mm
7	HXS 032	1	Safety chain	
8	HXE2017A	1	Hose tray	
9	EZ3096+00012	1	Link chain (40-sections)	
	EZ1755	1	Chain link	b=100mm
	EZ1756	1	Chain link - folding	b=100 mm
	EZ1775	1	Sheeting	
10	ES 587	2	Screw	M 10x25 DIN7984
11	HA6679	1	Bracket	b= 100mm
12	EM 021	2	Nut	DIN 985 M10 CL8 ZB
13	HT6653	1	Bearer	L0324.5xB0206xS005
14	ES 050	2	Screw	M 10x20 ISO4762-10.9
15	EM 026	2	Nut	M 8 DIN 985
16	EK 003	2	Washer	D 8.4 ISO7089
17	ES 006	2	Screw	M 8x25 ISO4762-10.9
18	HXE2344A	1	Cylinder guide	
	HA6613	1	Bearer	L0144.0xB0120xS008
	EZ2402A	1	Guide block	
	EM 006	2	Nut	DIN 934 M10 CL8 ZB
	ES 828	2	Screw	M 10x40 ISO14581-8.8
19	HXE2064	1	Bearer	
20	EM 023	1	Nut	M 12 DIN 985
21	EF 144	2	Spring	
22	HT6695	1	Fastening plate	
23	ES 041	1	Screw	M 12x25 ISO4762-10.9
24	EQ 011	4	Circlip	D 16 DIN 471
25	HI2993	4	Pin	D=22 L=15
26	EH5409A	0	Hose	NW 10x5400
27	EA1113S	0	Quick coupling, cpl. see page 0710.06001-A	12-S DIN 2353

Crane with 4 hydraulic extension booms



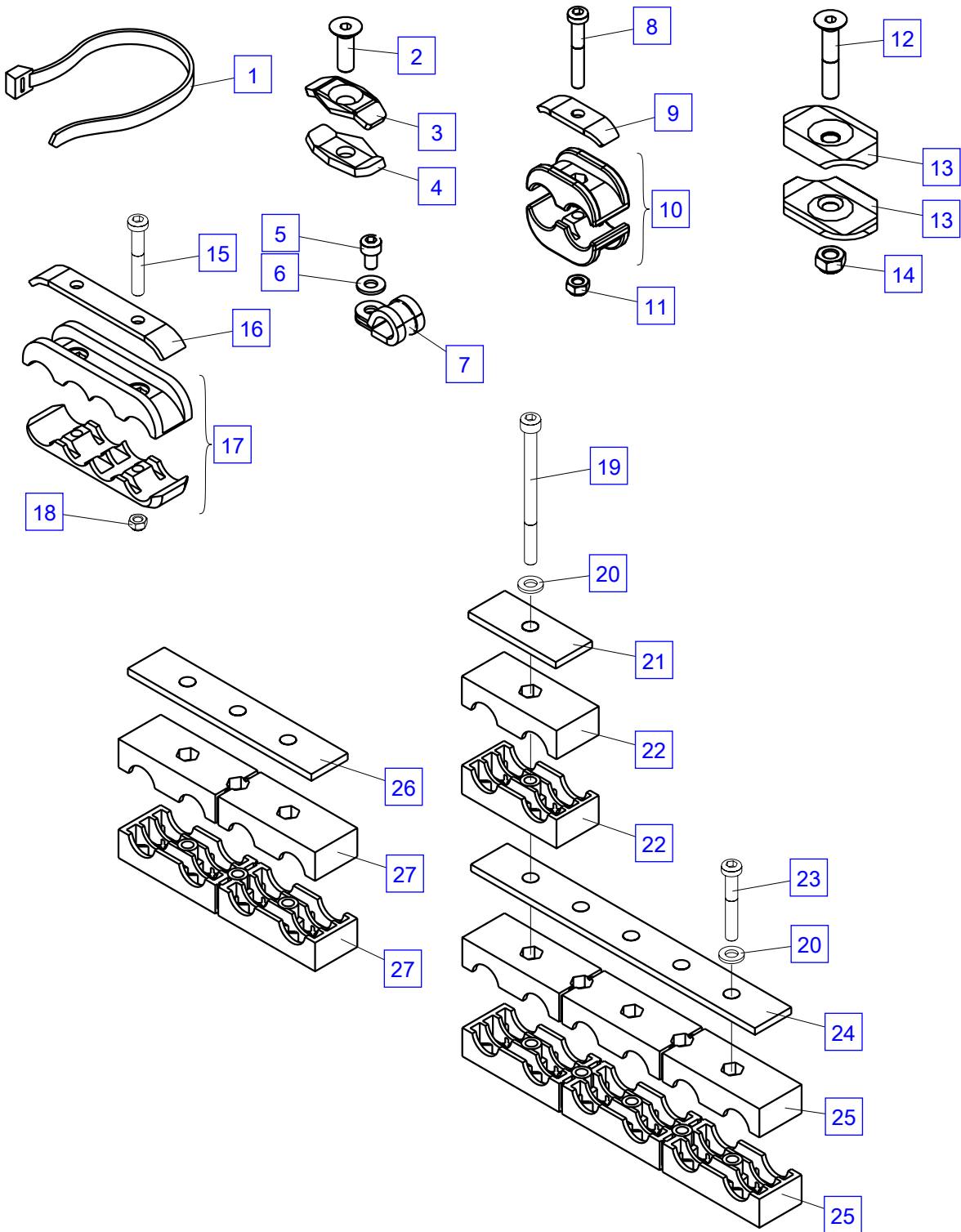
Quick-coupling

No.	Spare part	Qty.	Description	Dimension
1	EA1113S	1	Quick coupling, cpl.	12-S DIN 2353
2	EK 112	1	Dust cover (red)	Rot
2	EK 143	1	Dust cover (black)	Schwarz
3	EA1267	1	Quick-coupling	12 S
4	TD 045	1	Seal kit, cpl.	
5	EA1266	1	Quick-coupling	12 S
6	EK 113	1	Dust cover (red)	Rot
6	EK 144	1	Dust cover (black)	Schwarz



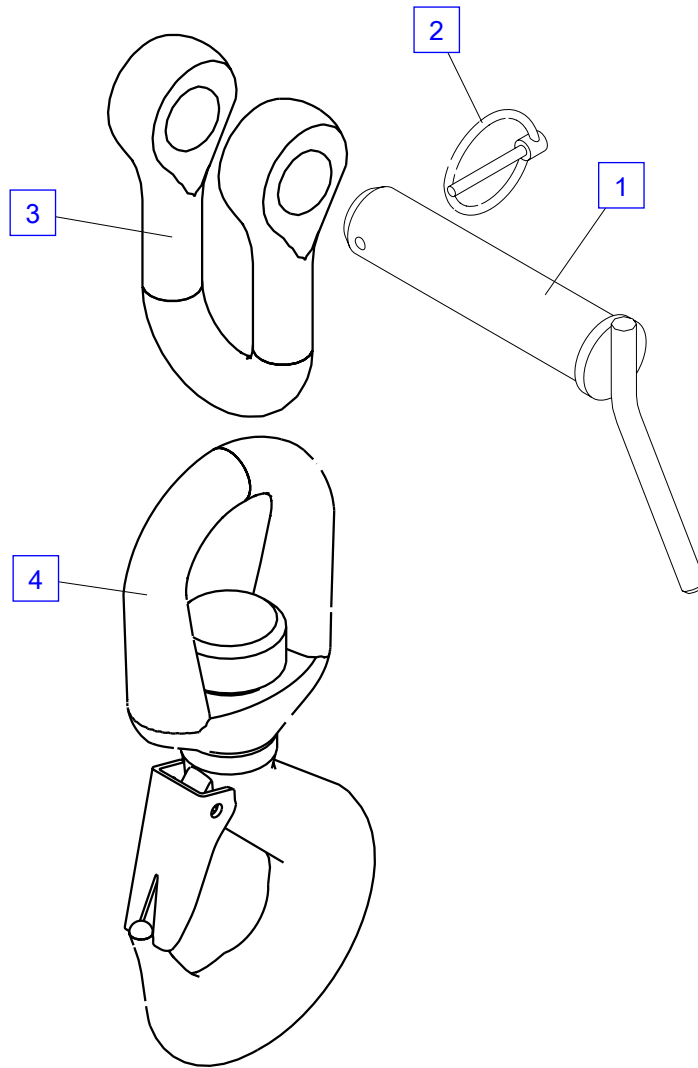
Miscellaneous

No.	Spare part	Qty.	Description	Dimension
1	EK 085	0	Cable tie	l=370x7,6
1	EK 165	0	Cable tie	l=215x4.8
2	ES 297	0	Screw	M 8x25 ISO14581- 8.8
2	ES 216	0	Screw	M 8x30 - 8.8 - ISO14581
2	ES 408	0	Screw	M8x35 - 8.8 ISO14581
3	HX 416	0	Pipe clip	
4	HX 007	0	Pipe clip	
5	ES 414	0	Screw	M6x10 ISO4762 - 8.8
6	EK 043	0	Washer	D 6.4 DIN 134
7	EK 256	0	Pipe clip	D 16
8	ES 856	0	Screw	M 6x35 ISO4762- 8.8
8	ES 574	0	Screw	M 6x40 ISO4762-A2-70
9	HA4819	0	Plate	L0046.2xB0015xS003
10	EZ2643	0	Hose clip	D017.0
11	EM 014	0	Nut	DIN 985-8 M 6
12	ES 297	0	Screw	M 8x25 ISO14581- 8.8
12	ES 470	0	Screw	M 8x45 ISO14581- 8.8
13	HX 611	0	Clip	L0058.2xB0039.1 xS003.0
14	EM 026	0	Nut	M 8 DIN 985
15	ES 105	0	Screw	M 6x40 ISO4762 10.9
15	ES 083	0	Screw	M 5x40 DIN 84
15	ES 263	0	Screw	M 5x45 ISO4762- 8.8
16	HTR 810B	0	Plate	L0090.0xB0015.0xS006.0
17	EZ 124	0	Hose clip	D 17x4
17	EZ2836	0	Hose clip	D 17x2 20x2
18	EM 040	0	Nut	DIN985-8 M5
19	ES 101	0	Screw	M6x90 - 8.8 - ISO4762
20	EK 190	0	Washer	DIN134-06-ST
21	HX 335	0	Stiffening plate	
22	EZ 259	1	Hose clip	D 15-18
22	EZ 257	1	Hose clip	D 19-22
22	EZ 487	1	Hose clip	D 17
23	ES 104	0	Screw	M 6x50 ISO4762-10.9
24	HX6626	0	Stiffening plate	L195.0xB25.0xS4.0
25	EZ 186	0	Hose clip	D 19-21
26	HX 337	0	Stiffening plate	L0126xB0025xS004
27	EZ 256	0	Hose clip	D 19-21
27	EZ 258	0	Hose clip	D 15-18



Crane hook

No.	Spare part	Qty.	Description	Dimension
1	HIS 008	1	Pin	l=135 mm
2	EQ 042	1	Bolt retainer	D 5,0 DIN 11023 - 05x042 - ST
3	HXL 010	1	Suspension eye	11t
4	EZ1598	1	Crane hook	8 t
	EZ1599	1	Safety latch	
	ELW 262	1	Ball bearing	
	EZ1598-01	1	Nut	M 30x3.5 UNI 5593
	EQ1875	1	Split pin	D 6x40 mm

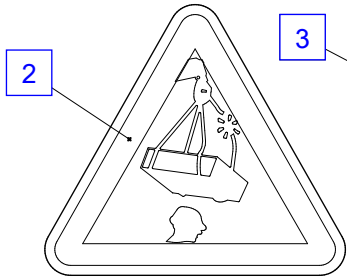


Decals (1)

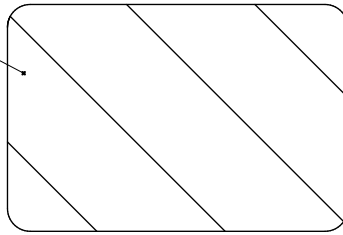
No.	Spare part	Qty.	Description	Dimension
1	EB4857	2	Company decal Palfinger	660x140 mm
1	EB5051	2	Company decal Crane column	370x83 mm
2	EB12019	2	Danger sign	176x157 mm
3	EB2806	2	Warning sign	150x100 mm
4	EB5190	2	Warning sign	150x100 mm
5	EB3269	1	Decal	D 60 mm
6	EB12008	2	Sign	45x45 mm
9	EB12238	1	Decal	
10	EB1826	2	Symbol sign	
11	EB3616	2	Symbol sign	
12	EB12010	1	Decal	67,5x52,5 mm
19	EB12127	1	Symbol sign	
23	EB4039	2	Symbol sign	



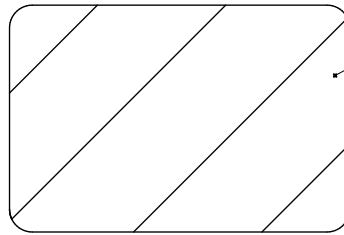
1



2

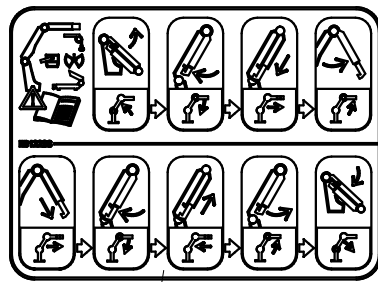
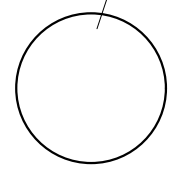


3

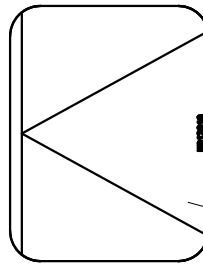


4

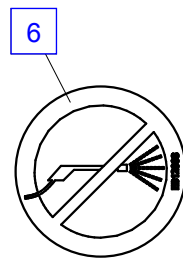
5



9



12

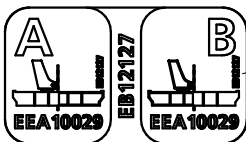
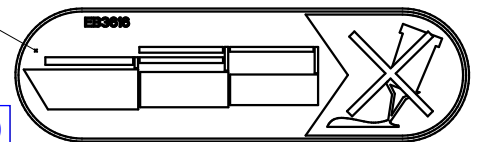


6

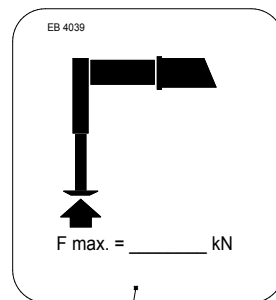


11

10



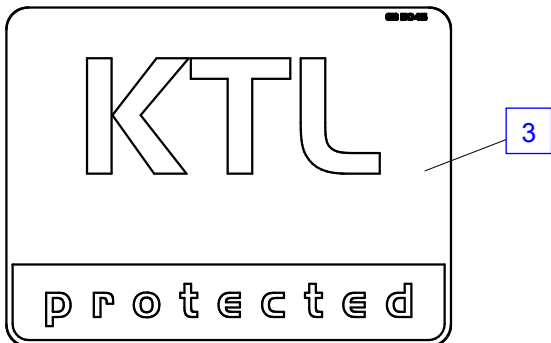
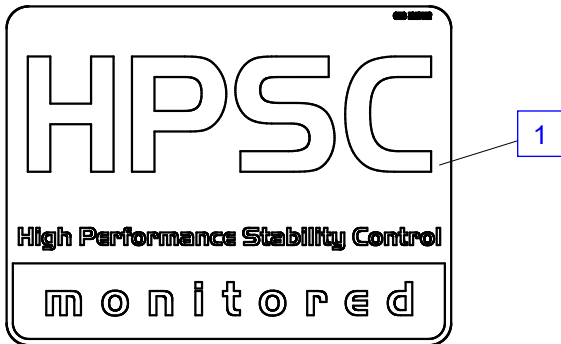
19



23

Decals (2)

No.	Spare part	Qty.	Description	Dimension
1	EB2312	1	Symbol sign	
3	EB5045	1	Symbol sign	
7	EB5049	1	Symbol sign	



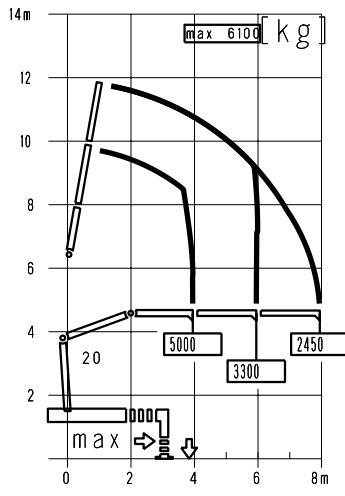
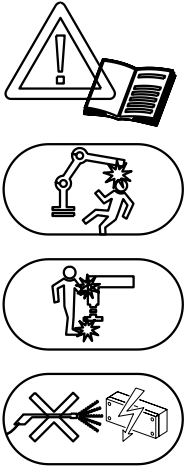
Decals (PK20001-K)

No.	Spare part	Qty.	Description	Dimension
1	EB9598	2	Company decal	PK 20001-K
2	EB9649	1	Capacity diagram	PK 20001-K C
3	EB9652	1	Capacity diagram	PK 20001-K C

PK 200001-K

1

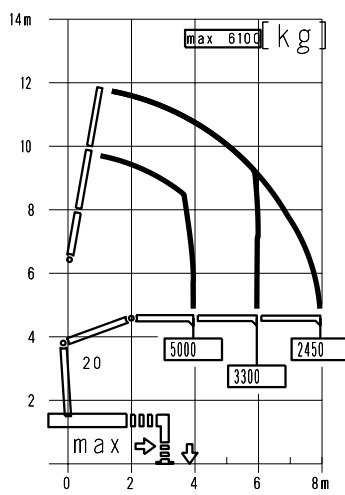
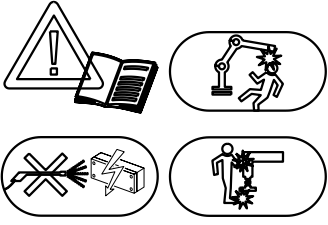
PALFINGER CRANE
PK 20001-K A
Single Link Plus



EB9647

2

PALFINGER CRANE
PK 20001-K A
Single Link Plus



EB9650

3

Oil tank, cpl. TL140

No.	Spare part	Qty.	Description	Dimension
1	KTK002-BA	1	Oil tank, cpl. (140l)	140l
2	EM 021	4	Nut	DIN 985 M10 CL8 ZB
3	KTK002B-A	2	Tank support	
4	KTK002C-A	2	Tightening band	
	EZ2699	1	Rubber mat	
5	ES 740	2	Screw	M 10x100 DIN912
6	EK 007	3	Washer	D 10.5 ISO7089
7	ES 015	3	Screw	M 10x25 ISO4762-10.9
8	EA1760	1	Return filter, cpl.	180 l/min
	TD 308	1	Seal kit	
	EA1761	1	Filter element	180 l/min
	EA1899	1	Filter cover	
11	ED1253	1	Seal	
12	EA2244	1	Tank cap incl. Ventilation filter	M42x2 - 800l/min
13	EA1816	1	Locking screw	R 2"
14	EA 442	2	Locking screw	VSTI R3/8"
15	EA 027A	1	Oil gauge	
16	EA 369	1	Locking screw	VSTI R 1/1"
17	EA1817	1	Pipe bend	2"
18	EV4512	1	Ball cock	2" PN25
21	KTK000-DA	1	Rubber mat	2,5 m

