

# Spare Parts Catalogue

## Hydraulic crane

### PK 12000

(S206A)

Valid for serial number

100024776

---

First Edition: 09/2000

**Edition: 11/2021**

**EN**

---

PALFINGER AG  
Lamprechtshausener Bundesstraße 8  
5101 Bergheim / Austria  
[www.palfinger.com](http://www.palfinger.com)

## Preface

This catalogue of spare parts is based on latest stages of product design and development.

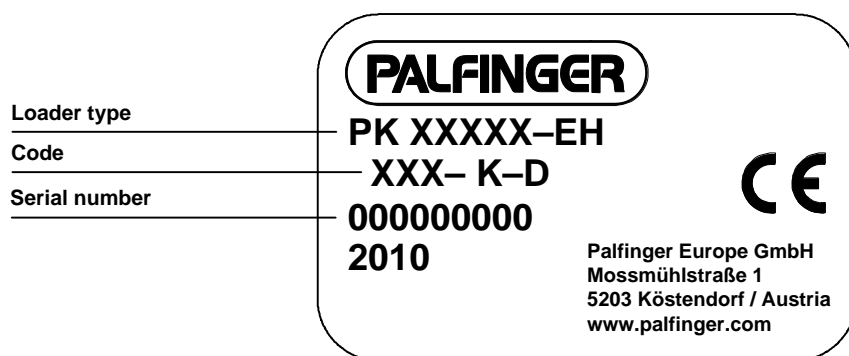
If you have maintained and serviced the technically matured equipment purchased from us in accordance with our instructions, there will scarcely be any need to consult this spares catalogue.

Should, in spite of this, the occasion arise to order spares, we would kindly ask you to state precise details as given in the catalogue, (please refer to "INFORMATION ON THE ORDERING OF SPARE PARTS") so as to avoid confusion.

We reserve the right to make design modifications.

## Information on the ordering of spare parts

- To supply you with the correct parts in the shortest possible time it is necessary to inform us about following details:
- Loader type, code and serial number (look identification plate)
  - Spare parts number
  - Required quantity of spare parts



(-->123456789)	Valid to crane number		
(123456789-->)	Valid from crane number		
(1-16)	consists out of position 1-16		
(+20)	with position 20		
Page-A	Control valve side		
Page-B	Counter control side		
ABST	Support	R	without extension box
		R0	One side extension box
		R1	Both side extension box
		R2	Both side extension box - extended
		R3	Extension box telescopic
		R4	Both side extension box - extended
		R.X	Both side extension box - hydraulic
		SR.	Support controllable from top seat
DPS+	Dual Power System Plus	FFST	Radio remote control
FERN	Remote control	PALF20	PALFINGER-PALCOM
FERT	Type - remote control	P2	PALFINGER-SCANRECO
		BMS2	HETRONIC
		P3	with display
GGSR	Control (reverse acting)	LKW	Mounting LKW
GRA	Type - crane Base	SAT	Semi-trailer installation
		EGG	Integrated base
HEC	Rear-stabilizer	HSTZY	Tiltable stabilizer
HEM	Rear module	HEM900	Rear module +900
HKONS	Top seat FFST	HK001	Standard seat
		HK002	Tiltable seat
		HK003	Seat with heater
		HK004	Folding seat with heater
HOST	Top seat - control	KL0	Linear lever control
		KK1	Cross lever control
HPLS	High Power Lifting System	EHPLS	High Power Lifting System
		SHPLS	Super High Power Lifting System
HSITZ	Top seat - standard	HS005	Tiltable seat
		HS012	Standard seat
HYA,PJHY	Hydraulic extensions	()	Configuration with one hydraulic extension boom
		A	Crane with 2 hydraulic extension booms
		B	Crane with 3 hydraulic extension booms
		C	Crane with 4 hydraulic extension booms
		D	Crane with 5 hydraulic extension booms
		E	Crane with 6 hydraulic extension booms
		F	Crane with 7 hydraulic extension booms
		G	Crane with 8 hydraulic extension booms
		H	Crane with 9 hydraulic extension booms
IKONS	Standing platform FFST	IK002	without IS001, with IG001
		IK004	with IS001,IG001
		IK006	with IS002,IG001
IG	Railing	IG001	3 port
		IG002	2 port
IS	Limitation of rotation (I)	IS001	Limitation of rotation over (I)
		IS002	Limitation of rotation, main boom over (I)
		IS003	Limitation of rotation over (FL)
ISC	Integrated Stability Control	ISC01	Support control +SHB
		HPSC	High Performance Stability Control
LHA	Crane hook	LHA03	25t with sleeve bearing
		LHA04	8t with sleeve bearing
		LHA06	15t with sleeve bearing
		LHA08	5,4t with sleeve bearing
		LHA09	11t with roller bearing
		LHA12	8t with roller bearing

Signs and symbols

LHV	Load holding valve	LHV...	see page 0.22
NOTAB	Emergency lowering device	NOT01	(NOTAB) Lifting cylinder
O	Overload protection	OSK	with lock cylinder
OELKU	Oil cooler	ÖLK01	Oil cooler 8.5kW mounted
		ÖLK02	Oil cooler 10.5kW, loose
		ÖLK03	Oil cooler 8.5kW, loose
		ÖLK04	Oil cooler 20kW mounted
		ÖLK05	Oil cooler 20kW, loose
		ÖLK07	Oil cooler 10.5kW mounted
		PT050	Paltronic 50
		PT150	Paltronic 150
PAL	Paltronic		
PJ	Fly-Jib		
PJHY	Hydraulic extensions	see (HYA)	
PJKSL	Hose-equipment (PJ)	J02	1 Auxiliary equipment
		J04	Auxiliary equipments2
PJV	Extension	see (V)	
PUMPE	Type - pump	PU002	Fixed displacement pump
		PU003	Variable displacement pump
RODRU	Rotator (...bar)		
S	Rope winch	SHE	with limiting switch - main boom
		SK	without limiting switch - outer boom
		SKE	with limiting switch - outer boom
		SHEK	Power link rope winch (hydraulic tilttable at main boom)
		GR__	Limit of rotation __ degree
SCH	Slew limitation	SHB01	with one pressure range
SHB	Slew angle dependent capacity limitation	SHB07	with 2 pressure ranges + jumper
		MULT11	Quick-coupling, crane
SKUPP	Quick-coupling Multifaster	MULT12	Quick-coupling,(PJ)
		MULT13	Quick-coupling, crane+(PJ)
SL	Hose-equipment	2	1 Auxiliary equipment - hose tray
		4	2 Auxiliary equipment - hose tray
		T2	1 Auxiliary equipment - hose drum
		T4	2 Auxiliary equipment - hose drum
		T2i	1 Auxiliary equipment - hose drum (inside)
		T4i	2 Auxiliary equipment - hose drum (inside)
SLVO	Preparation (SL)	VSL2	Preparation (SL) 1 auxiliary equipment
		VSL4	Preparation (SL) 2 auxiliary equipment
SONSL	Control valve section (SL)	SSZD	Brick grab Germany
		SSZT	Brick grab + deadman push button
SOSTZ	Stabilizer ram	SCSTD	Type Scandinavian
		STÜ01	Stabilizer ram -150 mm
		STÜ02	Stabilizer ram +100 mm
		STÜ03	Stabilizer ram -100 mm
STEIL	Boom angle monitoring system	STEIL1	Boom angle monitoring system
		STEIL2	Monitoring the steep position (PJ)
STG	Control - support	FL	Control valve - support
		FLZUS	Control valve - auxiliary support
		FFST4	remote controlled (4-elements)
		FFST8	remote controlled (8-elements)
		FFST12	remote controlled (12-elements)
		FFST14	remote controlled (14-elements)
STGA	Control - crane	FL	Floor control
		I	High stand platform
		H	Top seat
		NK	Emergency control - crane column
		NK2K	Emergency control - crane column, double circuit
STRAN	Rope winch, strand	1	1 strand
		2	2 strand
		4	4 strand
STT	Stabilizer plates	STD	Standard
STU	Hour meter	__	Extension __mm



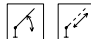
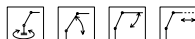

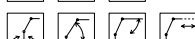
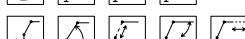
STZ	Stabilizer ram	STZO	Type without support
		STZS3	Stabilizer ram - rigid
		STZY3	Stabilizer ram - slewable
		STZY	Hydraulically tiltable stabilizer cylinder
		STZS3Y	Page-A=(STZS3) B=(STZY3)
		STZYS3	Page-A=(STZY3) B=(STZS3)
SWERK	Slewing system	1GETR	1-Slewing gear
SWK	Max. rope winch capacity:	2GETR	2-Slewing gear
TKKR	Crane tank	1,5 - 4,5	1,5t - 4,5t
TKLO	Auxiliary tank	TL__	Oil tank__l
TOT	Dead center	TOWI	Dead center over balance
		TOQU	Dead center over transverse spar
		SE	continuous
TRANS	Transport position monitoring	TRAN1	Armrest
		TRAN2	Main boom - horizontal level
TSCH,TSTB	Control valve	DN46	DINOIL DN46
		M4-12	REXROTH M4-12
		PVG32	DANFOSS PVG32
		RS210	NORDHYDRAULIK RS210
		RS220	NORDHYDRAULIK RS220
		RSQ240	NORDHYDRAULIK RSQ240
		SDM081	WALVOIL SDM081
		VDM07	SALAMI VDM07
V,PJV	Extension	V1()	1 Extension by (HYA ())
		V1A	1 Extension by (HYA A)
		V1B	1 Extension by (HYA B)
		V1C	1 Extension by (HYA C)
		V1D	1 Extension by (HYA D)
		V1E	1 Extension by (HYA E)
		V1F	1 Extension by (HYA F)
		V1G	1 Extension by (HYA G)
		V1H	1 Extension by (HYA H)
		V2()	2 Extensions by (HYA ())
		V2A	2 Extensions by (HYA A)
		V2B	2 Extensions by (HYA B)
		V2C	2 Extensions by (HYA C)
		V2D	2 Extensions by (HYA D)
		V2E	2 Extensions by (HYA E)
		V2F	2 Extensions by (HYA F)
		V2G	2 Extensions by (HYA G)
		V2H	2 Extensions by (HYA H)
		V3()	3 Extensions by (HYA ())
		V3A	3 Extensions by (HYA A)
		V3B	3 Extensions by (HYA B)
		V3C	3 Extensions by (HYA C)
		V3D	3 Extensions by (HYA D)
		V3E	3 Extensions by (HYA E)
		V3F	3 Extensions by (HYA F)
		V3G	3 Extensions by (HYA G)
		V3H	3 Extensions by (HYA H)
LHV	Load holding valve	LHV14	
		LHV18	
		LHV19	
		LHV28	 Double-acting load holding valve
		LHV34	

Table of Contents

Page	
<b>0</b>	<b>PREFACE</b>
0.02	Preface-EN
0.20	Signs and symbols
0.21	Signs and symbols
0.22	Signs and symbols
<b>010</b>	<b>BASE</b>
010.0100	Base
010.0101	Catcher
010.0200	Bracket
010.0201	Brackets
010.0210	Cover RC
010.0300	Slewing system
010.0400	Pipes-Lube system
010.0500	Pipes-Control F,H
010.0600	Pipes-Control F,H
010.0700	Pipes-Control RC
010.0800	Extension box-R1
010.0900	Pipes-R1
010.1000	Extension box-R2
010.1100	Pipes-R2
010.1200	Extension box-R2X
010.1201	Extension cylinder-R2X
010.1300	Pipes-R2X
010.1400	Extension box-R3X
010.1401	Extension cylinder-R3X
010.1500	Pipes-R3X
010.1600	Stabilizer ram-STZS
010.1610	Stabilizer ram-STZS
010.1700	Pipes-Support STZS
010.1800	Stabilizer ram-STZY
010.1810	Stabilizer ram-STZY
010.1900	Pipes-Support STZY
010.2000	Stabilizer ram-STZY
010.2100	Stabilizer ram-STZY
010.2110	Stabilizer ram-STZY
010.2200	Pipes-Support STZY
010.2300	Oil tank
<b>020</b>	<b>CONTROL SYSTEM</b>
020.0100	Control valve-stabil.
020.0100A	Control valve-stabil.
020.0200	Control valve-F
020.0300	Control valve-H
020.0400	Control valve RSQ 240 RC
020.0500	Control valve RSQ 240 RC
020.0600	Control valve PVG32

Page	
020.0700	Control system
020.0800	Control (reverse acting)
<b>030</b>	<b>OVERLOAD PROTECTION</b>
030.0100	Overload protection-OSK-F
030.0200	Overload protection-OSK-H
030.0300	Overload protection-OSK-RSQ240 RC
030.0400	Slew limitation
030.0500	Transport position monitoring
030.0600	Support control
030.0700	Support control
030.0800	Support control
030.0900	Tread roller
<b>040</b>	<b>CRANE COLUMN</b>
040.0100	Crane column
040.0200	Lifting cylinder
040.0300	Pipes-Lifting cylinder
040.0400	Top seat
<b>050</b>	<b>MAIN BOOM</b>
050.0100	Main boom
050.0200	Pipes-Outer boom ram
<b>060</b>	<b>OUTER BOOM</b>
060.0100	Outer boom
<b>070</b>	<b>BOOM EXTENSIONS</b>
070.0100	Boom extension 1
070.0200	Boom extension 2
070.0300	Boom extension 3
070.0400	Boom extension 4
070.0500	Boom extension 5
070.0600	Extension boom ram 1-5
070.0700	Pipes-Boom extens.ram
070.0800	Pipes-Boom extens.ram
070.0900	Pipes-Boom extens.ram
070.1000	Hose trays
070.1100	Pipes-Hose guide
<b>080</b>	<b>MAN. BOOM EXTENSIONS</b>
080.0100	Man. boom extensions
080.0101	Pressure compensator
<b>090</b>	<b>ROPE WINCH</b>
090.0100	Rope winch-S
090.0100A	Rope winch-S
090.0200	Pipes-Rope winch
090.0200A	Pipes-Rope winch

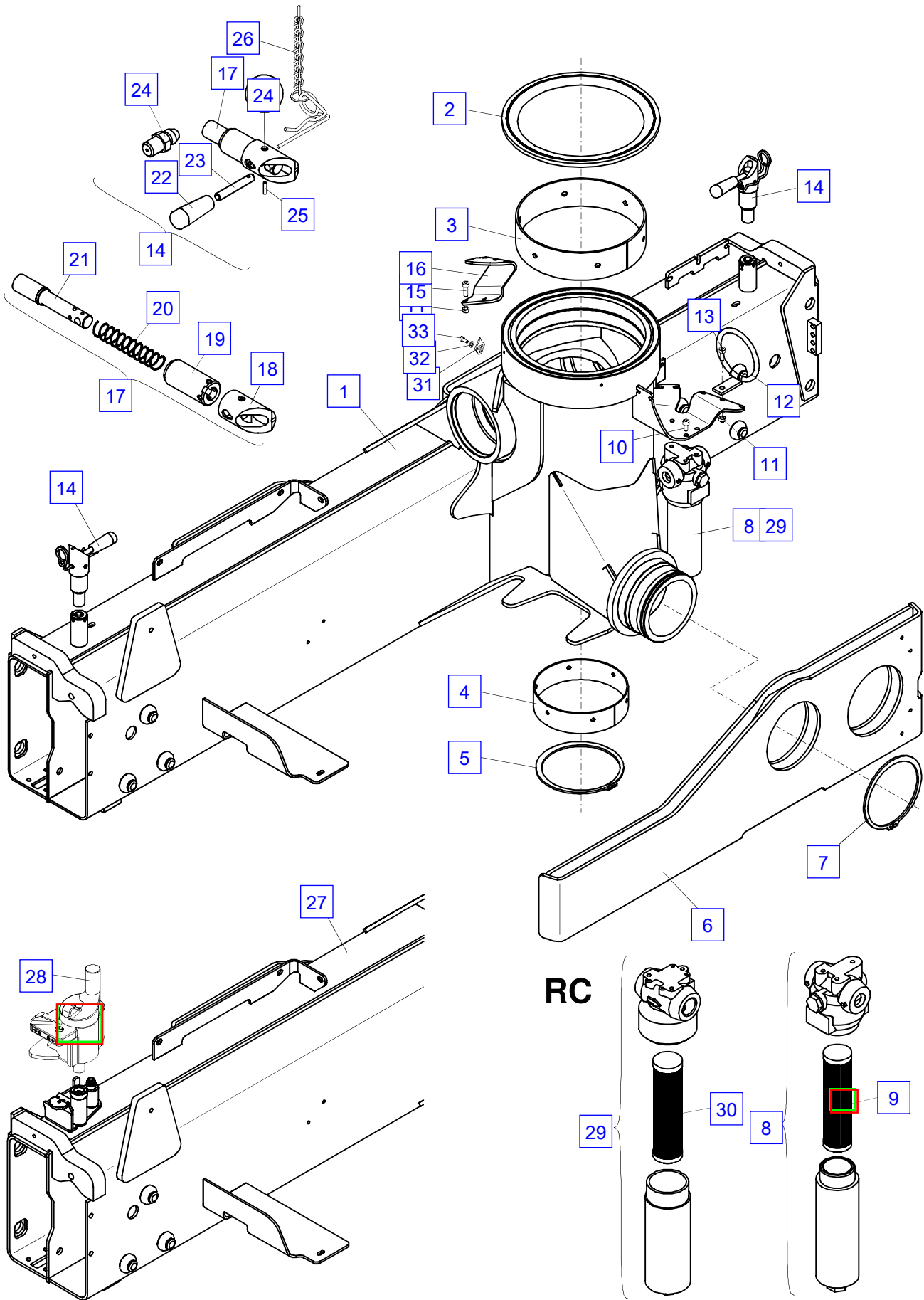
Table of Contents

Page	
090.0300	Guide pulley,trolley head
<b>100</b>	<b>MISCELLANEOUS</b>
100.0100	Accessories
100.0200	Miscellaneous
100.0300	Decals
<b>AB03</b>	<b>CONTROL VALVE</b>
<b>010</b>	<b>CONTROL VALVE - SUPPORT</b>
010.0100	Control valve VDM07
010.0200	Control valve (2-sections) Dinoil
010.0300	Control valve (4-sections) Dinoil
<b>040</b>	<b>CONTROL VALVE RS210</b>
040.0100	Control valve RS210
040.0200	Control valve - details RS210
040.0300	Control valve - details RS210
<b>AB04</b>	<b>ELECTRICAL PARTS</b>
<b>010</b>	<b>BASIC ELEMENT</b>
010.0100	Housing - PG
010.0200	Housing - (mm) 1
010.0300	Housing - (mm) 2
010.0400	Switch
010.0500	Electrical parts
<b>020</b>	<b>MISCELLANEOUS</b>
020.0100	Fitting
020.0200	Plug - auxiliary equipment
<b>030</b>	<b>ELECTRICAL PARTS</b>
030.0100	Basic element
030.0200	Control unit, cpl.
030.0300	Valve casing, cpl.
030.0400	Accessories (1)
030.0500	Accessories (2)
<b>040</b>	<b>DECALS</b>
040.0100	Decals (1)
040.0200	Decals (2)
040.0300	Decals (3)
<b>050</b>	<b>WORKING LIGHT</b>
050.0100	Working light

This page is intentionally left blank

Base

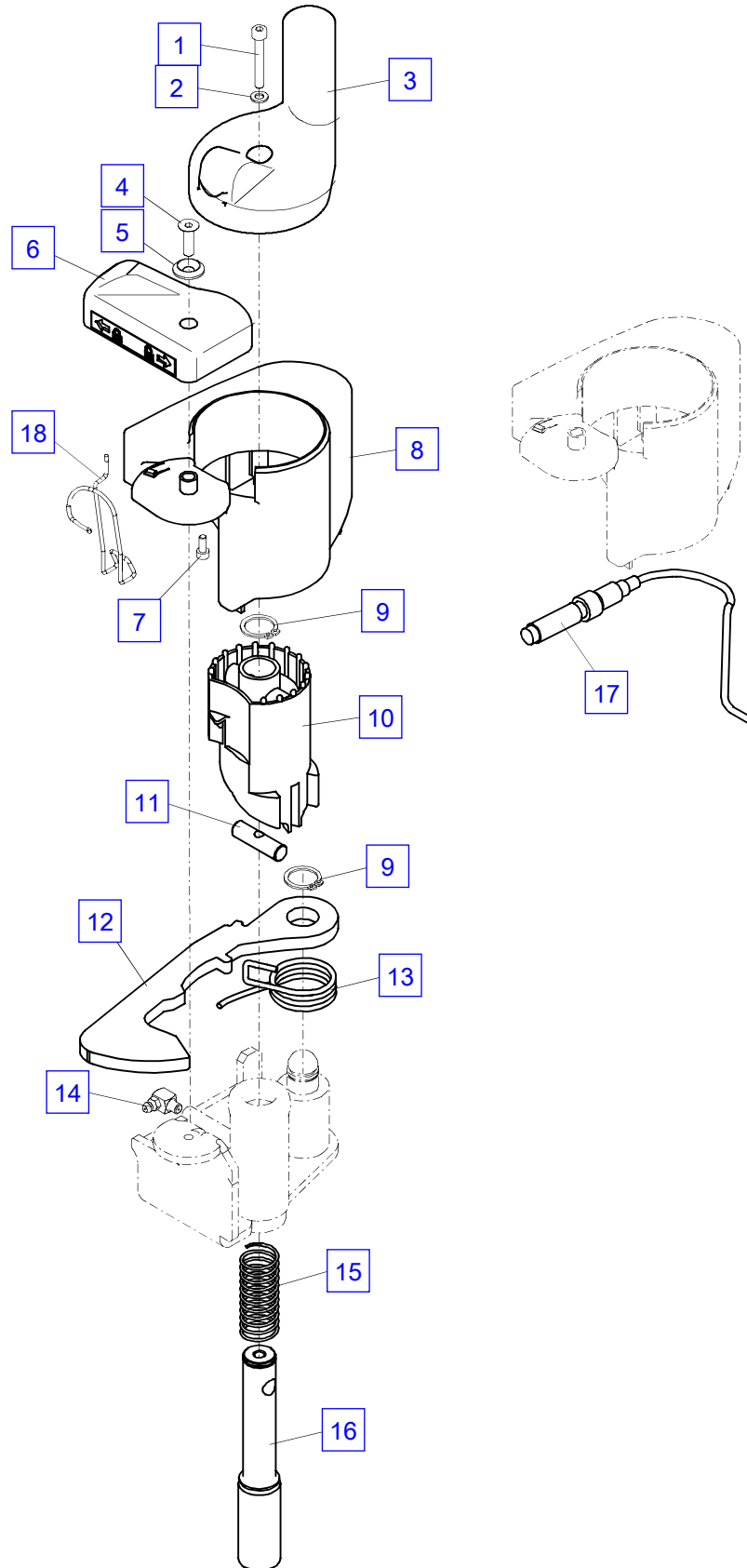
No.	Spare part	Qty.	Description	Dimension
1	S204G01SB+00001	1	Crane Base (Standard colour RAL 2002)	
2	HBK 107	1	Bearing ring	
3	HT1799	1	Bearing	3.0 mm
3	HT2084	1	Bearing	3,1 mm
3	HT6761	1	Bearing	3,2 mm
3	HT6762	1	Bearing	3,3 mm
4	HT5683	1	Bearing	3.0 mm
4	HT6752	1	Bearing	3,1 mm
4	HT6753	1	Bearing	3,2 mm
4	HT6754	1	Bearing	3,3 mm
5	EQ 040	1	Circlip	D 172 DIN 471
6	1250-201A+00001	1	Balance (Standard colour RAL 2002)	
7	EQ 039	1	Circlip	D 155 DIN 471
8	EA1391A	1	High pressure filter	
	TD1553	1	Seal kit	
	EA1392	1	Filter element	
9	EA1392	1	Filter element	
	BZ204S	0	Filter element, cpl. (page 100.0200)	
10	ES 264	3	Screw	M8x16 ISO4762- 8.8
11	EM 026	3	Nut	M 8 DIN 985
12	HXL 020	1	Hose ring	d=100 mm
13	ES 265	1	Screw	M 8x20 ISO4762- 8.8
14	HXV 369	2	Catcher (R1)	
15	ES 006	2	Screw	M 8x25 ISO4762-10.9
16	HA6665	1	Bracket (TOQU)	
17	HXV 398	1	Latch housing, cpl.	
18	HX 463	1	Bushing	
19	HBA 096	1	Bushing	
20	EF 081	1	Pressure spring	D 20,5x1,5x115
21	HI 916	1	Pin	
22	EZ 253	1	Handle	
23	HI 891	1	Pin	
24	EA 412	1	Grease nipple	M 6x1 H1 71412
25	EQ 299	1	Adapter sleeve	D 4x18 DIN 1481
26	HXS 021	1	Safety chain	
27	S204G02SA+00001	1	Crane Base (Standard colour RAL 2002)	
28	KMG00...A	2	Latch housing, cpl. see page 010.0101	
29	EA2168	1	High pressure filter	
29	EA2169	1	Filter element	
29	TD1553	1	Seal kit	
30	EA2169	1	Filter element	
31	HT7778	1	Folding arrow	
32	EK 190	1	Washer	DIN134-06-ST
33	ES1150	1	Screw	M 6x12 - 8.8 - ISO4762



Catcher

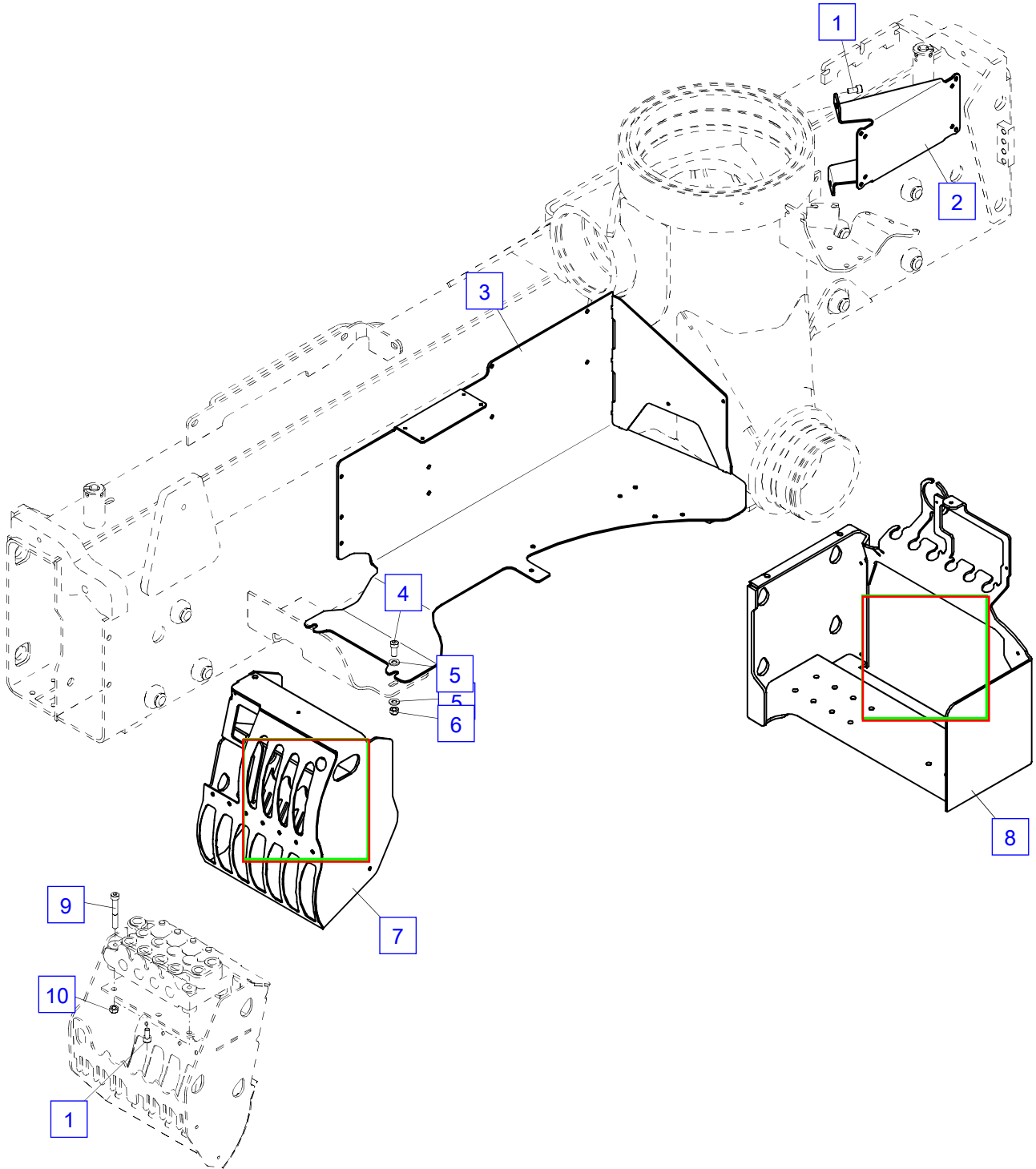
No.	Spare part	Qty.	Description	Dimension
1	ES 291	1	Screw	M 5x35 ISO4762- 8.8
2	EK 153	1	Washer	DIN134-05-ST
3	EK1072	1	Handle	
4	ES1329	1	Screw	M6x20 ISO14581- 8.8
5	EK 567	1	Washer	D 6
6	EK1071	1	Cover	
7	ES 451	1	Screw	3.9x9.5 DIN 968
8	EK1073	1	Cover	
9	EQ 352	2	Circlip	D 18 DIN 471
10	EK1033	1	Bracket	
11	HI7209	1	Pin	
12	HT6976	1	Safety plate	
13	EF 168	1	Spring	
14	EA1240	1	Grease nipple	M 6x1 H3 71412
15	EF 081	1	Pressure spring	D 20,5x1,5x115
16	HI3064	1	Pin	
17	EEA4020	1	Sensor Closer	M 12x1 - M 12x1
18	EF 199	1	Spring	





## Bracket

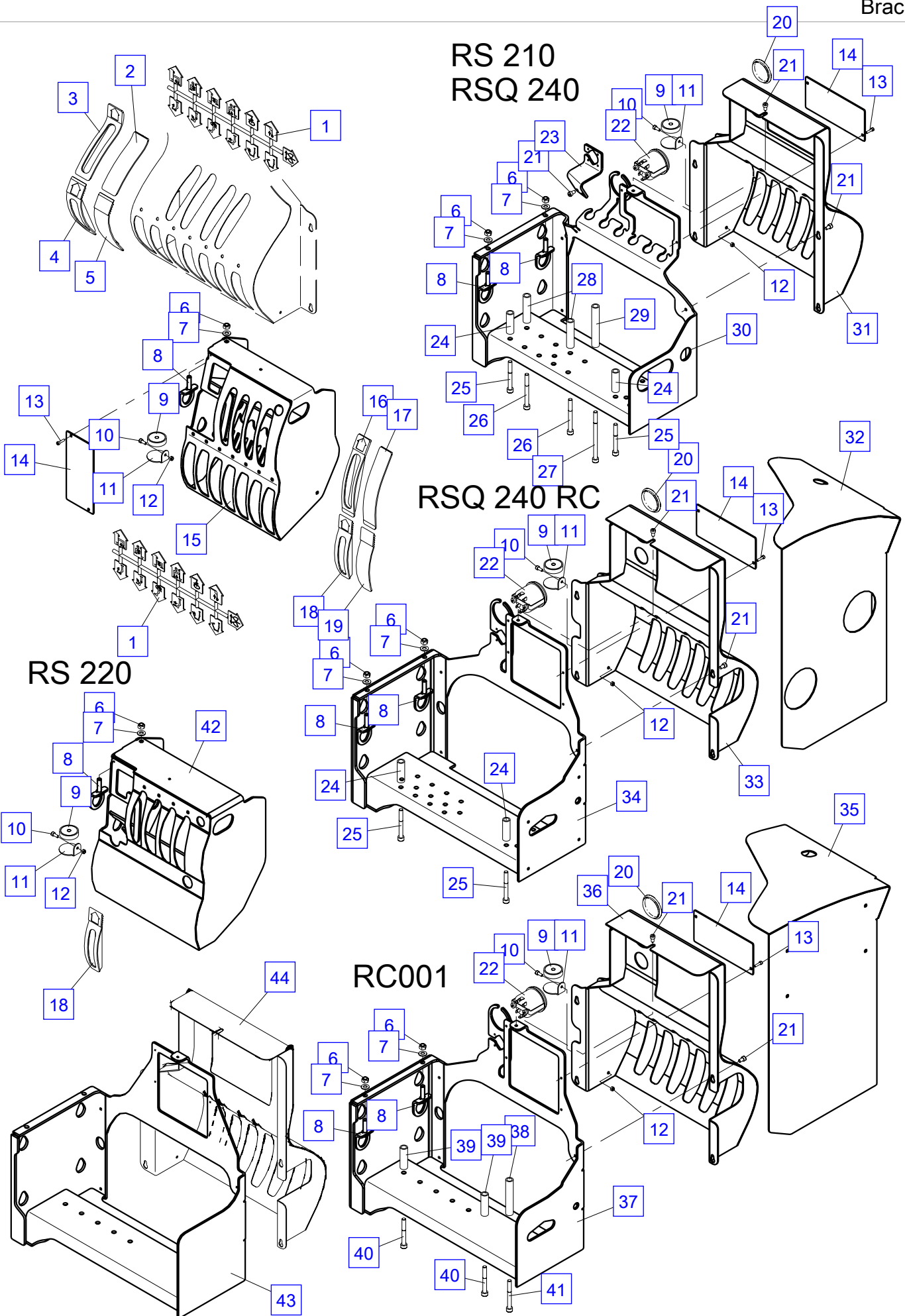
No.	Spare part	Qty.	Description	Dimension
1	ES 264	3	Screw	M8x16 ISO4762- 8.8
2	HA6654	1	Bracket	PALTRONIC
3	HXE1861	1	Bracket	RC
4	ES 265	2	Screw	M 8x20 ISO4762- 8.8
5	EK 003	4	Washer	D 8.4 ISO7089
6	EM 026	2	Nut	M 8 DIN 985
7	HXE1794	1	Bracket see page 010.0201	
8	HXE2213	1	Bracket see page 010.0201	
9	ES1154	2	Screw	M 8x60 ISO4762- 8.8
10	EM 026	2	Nut	M 8 DIN 985



Brackets

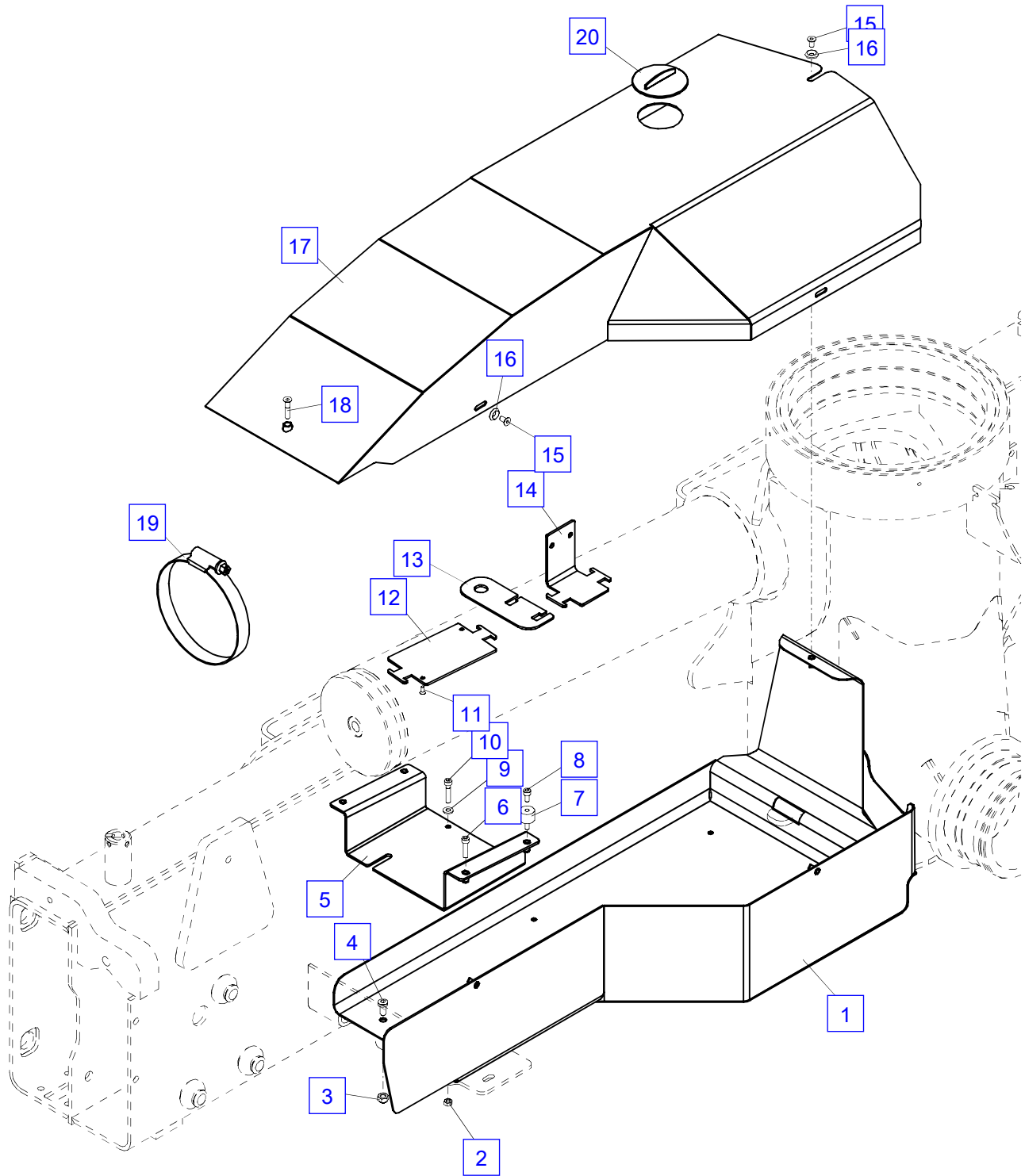
No.	Spare part	Qty.	Description	Dimension
1	EK 898	0	Control decal	
2	EK 894	0	Cover	
3	EK 893	0	Frame	
4	EK 889	0	Frame	
5	EK 890	0	Cover	
6	EM 026	0	Nut	M 8 DIN 985
7	EK 003	0	Washer	D 8.4 ISO7089
8	HXE1684	0	Bearer	
9	EK 756	0	Inclinometer	
10	ES 061	0	Screw	M 5x12 ISO4762- 8.8
11	HA3962	0	Bearer	
12	EM 040	0	Nut	DIN985-8 M5
13	ES 393	0	Screw	M 4x10 DIN 84
14	HT6718	0	Cover plate	L0175.1xB0080.0xS002
15	HXE1794	1	Bracket	
16	EK 895	0	Frame	
17	EK 896	0	Cover	
18	EK 891	0	Frame	
19	EK 892	0	Cover	
20	EK1031	0	Cover	
21	ES 414	0	Screw	M6x10 ISO4762 - 8.8
22	EEA3427	0	Hour meter	
23	HA7465	1	Bearer	
24	HBS1819	0	Spacer	l=50 mm
25	ES1157	0	Screw	M8x70 DIN 912
26	ES1159	0	Screw	M 8x80 ISO4762- 8.8
27	ES1165	1	Screw	M 8x120 DIN 912
28	HBS2786	2	Spacer	l=66 mm
29	HBS2783	1	Spacer	l=101 mm
30	HXE2213	1	Bracket	
31	HXE2212	1	Bracket	
32	HXE2044	1	Cover	
33	HXE2675	1	Valve bracket	
33	HXE 223	1	Valve bracket	
34	HXE2676	1	Valve bracket	
35	HXE2045	1	Cover	
36	HXE2210	1	Bracket	RC001
37	HXE2211	1	Bracket	RC001
38	HBS2887	1	Spacer	L=87 mm
39	HBS2886	0	Spacer	L=52 mm
40	ES1155	0	Screw	M 8x65 ISO4762- 8.8
41	ES1161	1	Screw	M 8x100 ISO4762- 8.8
42	HXE 218	1	Bracket	
43	HXE1821	1	Bracket	RC001
44	HXE1822	1	Bracket	RC001

Brackets



Cover RC

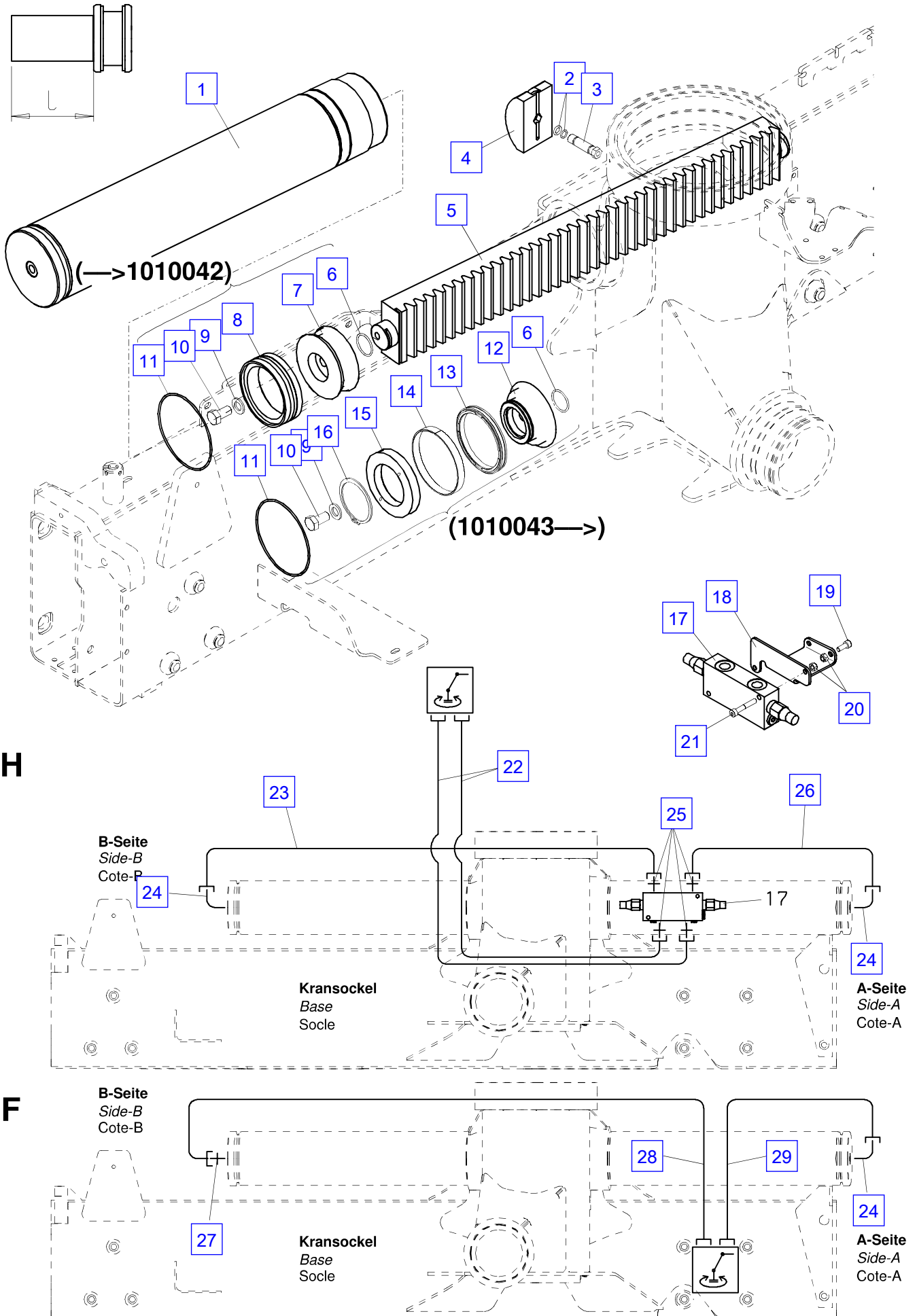
No.	Spare part	Qty.	Description	Dimension
1	HXE2104	1	Bracket	
1	HXE2104A	1	Bracket (RC400-P2,BMS-2)	
2	EM 004	2	Nut	DIN 934 M6 CL8 ZB
3	EM 026	1	Nut	M 8 DIN 985
4	ES 051	1	Screw	M 8x16 DIN 7984 8.8
5	HXE 224	1	Bearer	
6	ES 855	4	Screw	M 6x25 ISO4762- 8.8
7	EK1127	4	Rubber damper	M 6
8	ES1150	4	Screw	M 6x12 - 8.8 - ISO4762
9	EK 043	2	Washer	D 6.4 DIN 134
10	ES 087	2	Screw	M 6x30 - 8.8 - ISO4762
11	ES1482	2	Screw	M4x10 DIN 7991
12	HT6967	1	Bearer	
13	HT6969	1	Bearer	
14	HA7841	1	Bearer	
15	ES 419	3	Screw	M6x12 ISO14581- 8.8
16	EK 567	3	Washer	D 6
17	HXE2103	1	Bracket	
18	ES 991	1	Screw	M 6x30 ISO14581- 8.8
19	EQ 103	3	Hose clamp	D170-190
20	EK1045	1	Cover	



Slewing system

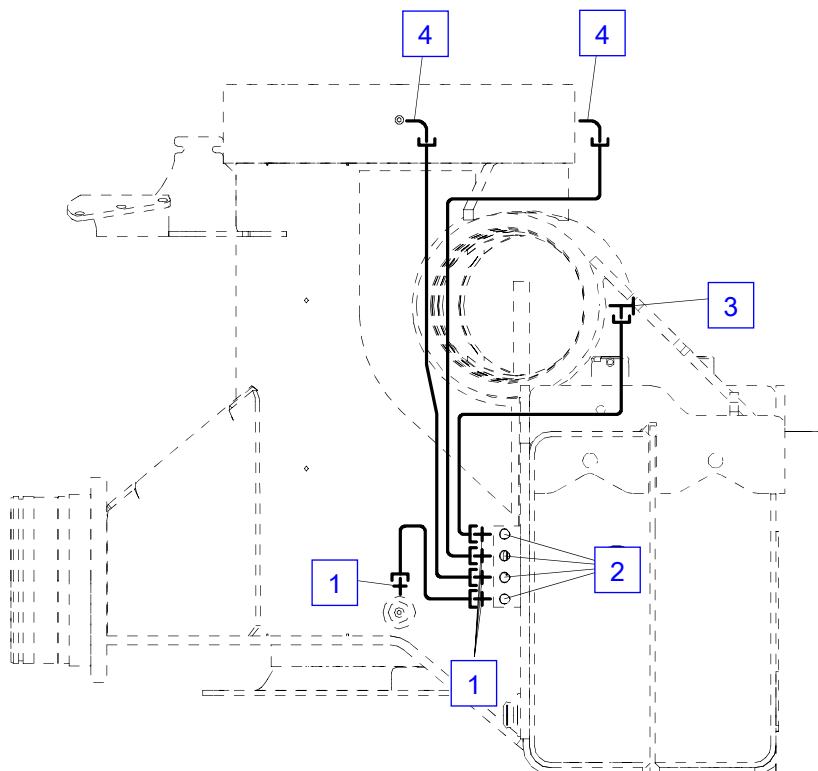
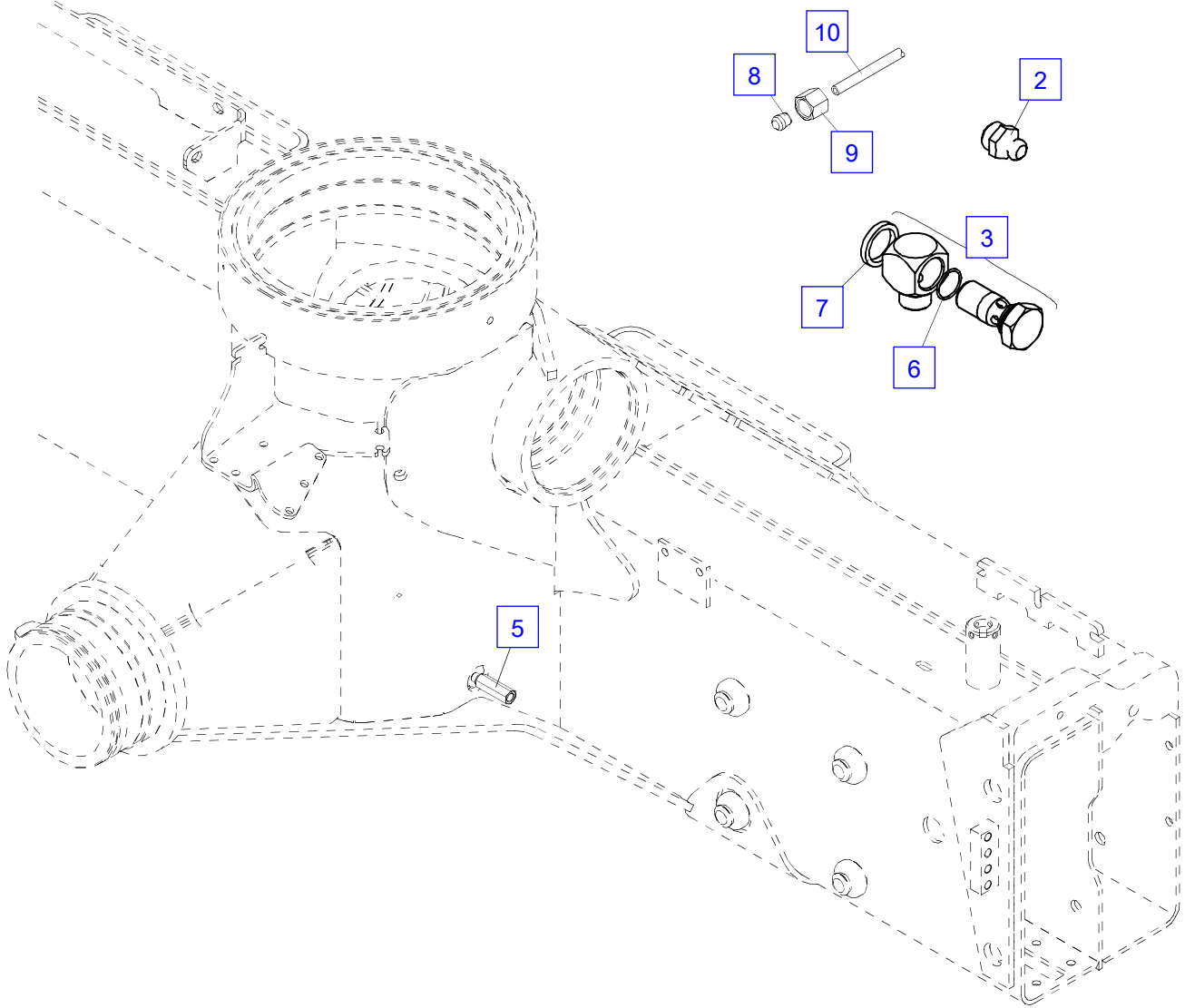
No.	Spare part	Qty.	Description	Dimension
1	HY 597B+00001	2	Cylinder tube (Standard colour RAL 2002)	
2	EO 027	2	O-ring	D 11,3x2,4
3	HIG 502	1	Grease tube	
4	HF 502	1	Guide block	45 mm
5	HZS 073	1	Rack	
6	EO 061	2	O-ring	D37,5x3,55
7	HK 150	2	Piston	
7	HXE 496	2	Slew limitation (200 degree)	l=182 mm
7	HXE 497	2	Slew limitation (220 degree)	l=165 mm
8	ED 061	2	Piston seal	D 125
9	EK 411	2	Washer	D 17 ISO7089
10	ES1433	2	Screw	M 16x30 DIN 961-10.9
11	EO 121	2	O-ring	D 134,5x3
12	HK 642	2	Piston	
12	HK 647	2	Piston 220°	l=166 mm
12	HK 648	2	Piston 200°	l=185 mm
12	HK 649	2	Piston 180°	l=198 mm
13	ED1227	2	Seal ring	D125x105x12,5
14	ED1226	2	Guide ring	D125x120x14,8
15	HK 643	2	Piston	
16	EQ 076	2	Circlip	D 80 DIN 471
17	EV5037-160	1	Load holding valve	160 bar
	TD1001	1	Seal kit	
18	HA6639	1	Bracket	
19	ES 265	2	Screw	M 8x20 ISO4762- 8.8
20	EM 026	4	Nut	M 8 DIN 985
21	ES 432	2	Screw	M 8x50 ISO4762- 8.8
22	EH1353	2	Hose	NW 8x3600
23	HLR 9277	1	Pipe	D 12
24	EA1749	2	Adaptor	WEE 12S 3/8"
25	EA 183	4	Fitting	GE 12S R1/2"-ED
26	HLR 9276	1	Pipe	D 12
27	EA 039	1	Fitting	GE 12S R3/8"-ED
28	HLR 9256	1	Pipe (F)	D 12
28	HLR12404	1	Pipe (RSQ 240 RC)	D 12
28	HLR 9260	1	Pipe	D 12
29	HLR 9255	1	Pipe (F)	D 12
29	HLR12405	1	Pipe (RSQ 240 RC)	D 12
29	HLR 9259	1	Pipe (RC001)	D 12





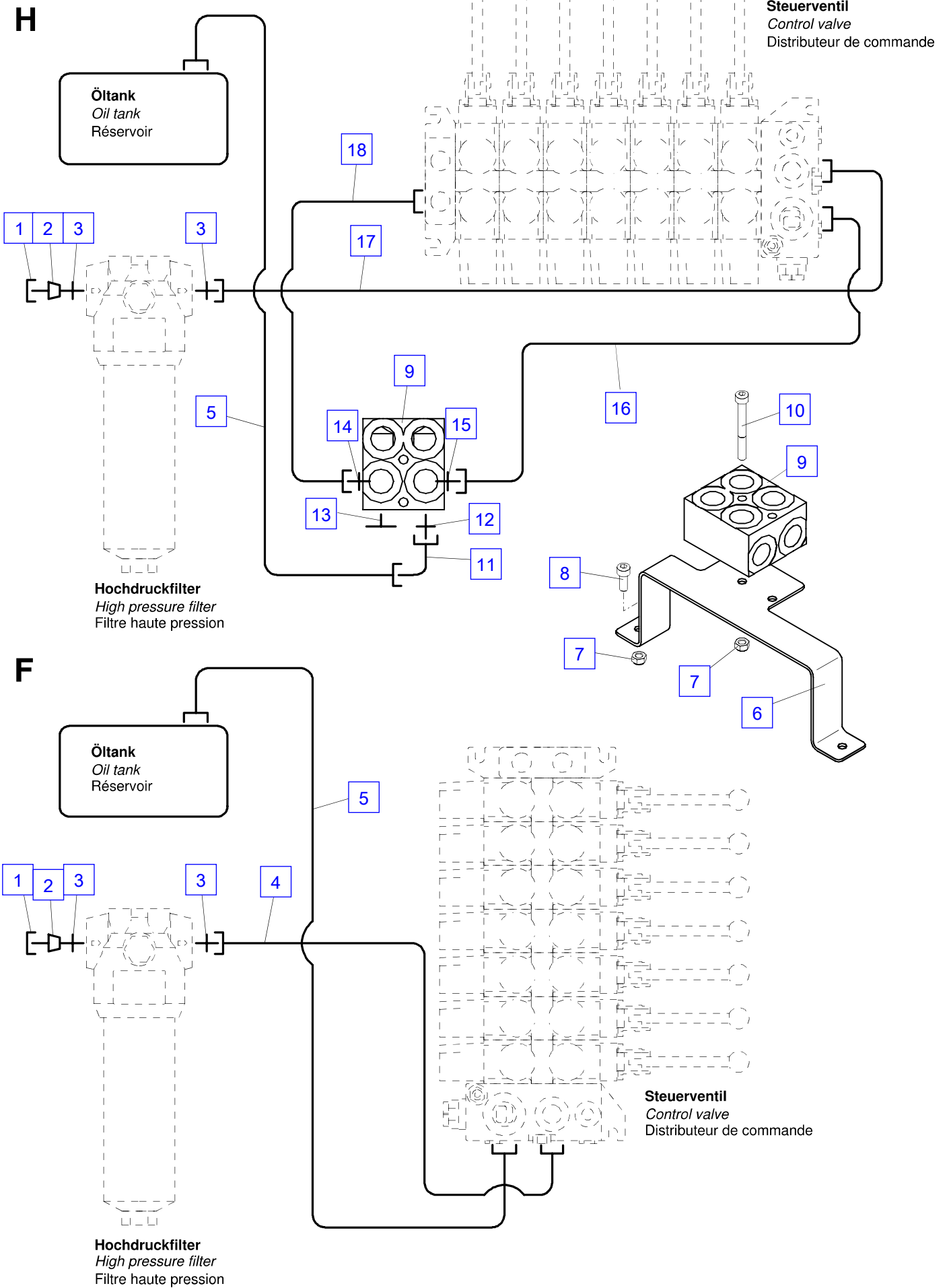
## Pipes-Lube system

No.	Spare part	Qty.	Description	Dimension
1	EA 002	5	Fitting	GE 6L M10x1-ED
2	EA 005	4	Grease nipple	M10x1 DIN71412
3	EA 001	1	Adaptor	WH 06L M 10x1
4	EA 623	2	Fitting	WE 06-LM
5	HLA1098	1	Fitting	
6	EO 547	1	O-ring	D 9,3x1,5
7	ED 391	1	Sealing ring	KD M10
8	EA 265	8	Cutting ring	D 6 S
9	EA 641	8	Nut	M 6 L
10	EH1434	0	Grease hose (sold by the meter)	



Pipes-Control F,H

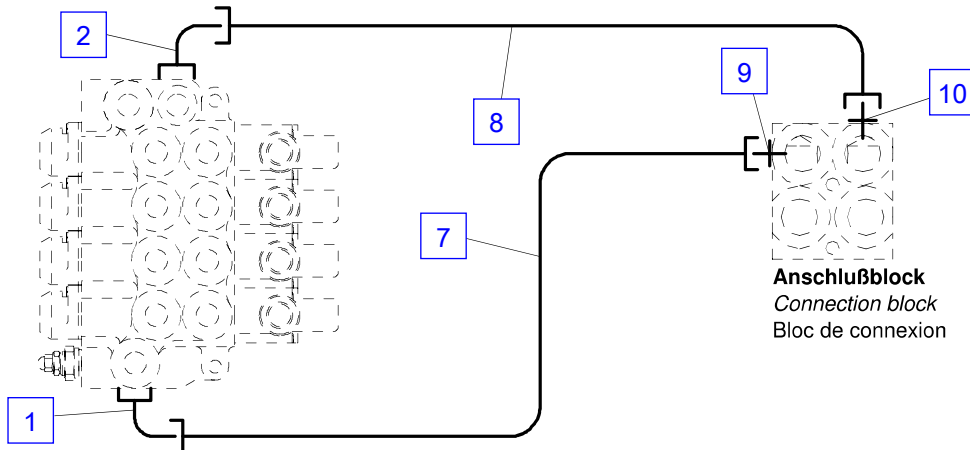
No.	Spare part	Qty.	Description	Dimension
1	EA 106	1	Nut	M 20 S
2	EA 345	1	Blind plug	VKA 20
3	EA 097	2	Fitting	GE 20S R3/4"-ED
4	EH 502	1	Hose	NW 16x600
5	EH3740	1	Hose	NW 25x1400
6	HA2673	1	Bearer	
7	EM 026	4	Nut	M 8 DIN 985
8	ES 265	2	Screw	M 8x20 ISO4762- 8.8
9	HG 167	1	Housing	
10	ES 059	2	Screw	M 8x70 DIN 912
11	EA 258	1	Angle fitting	EVW 28 L
12	HLA 102	1	Fitting	GE 28 L 3/4"
13	ES 111	1	Locking screw	VSTI R3/4"
14	EA 033	1	Fitting	GE 16 SR 3/4"ED
15	EA 330	1	Fitting	GE 22-L 3/4"-ED
16	EH5119	1	Hose	NW 20x3400
17	EH 914	1	Hose	NW 16x4050
18	EH1669	1	Hose	NW 12x3500



Pipes-Control F,H

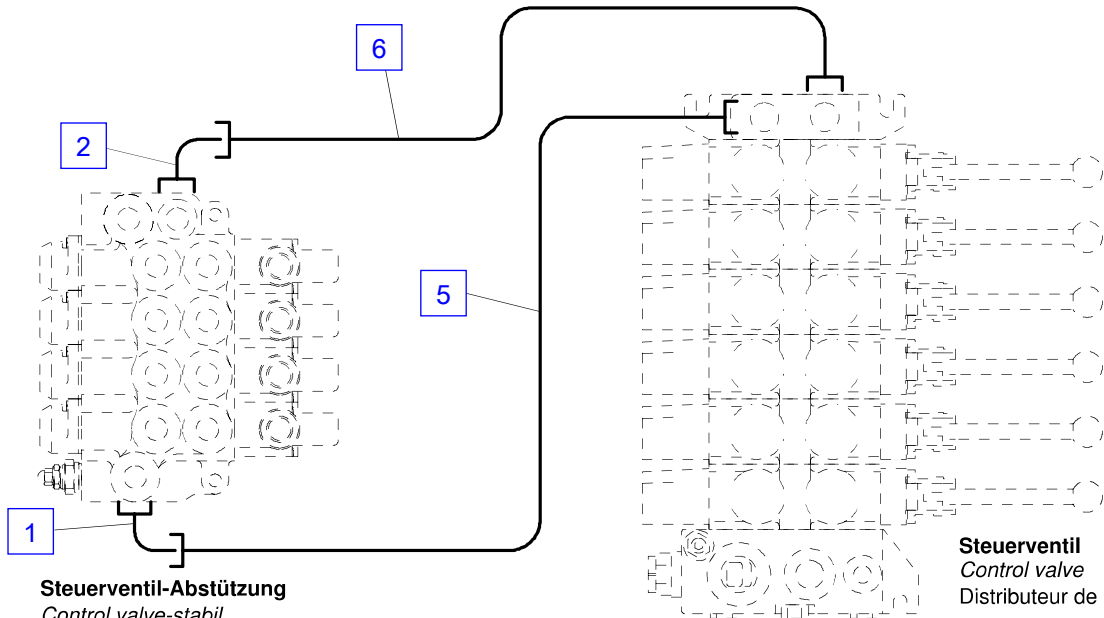
No.	Spare part	Qty.	Description	Dimension
1	EA 019	1	Angle fitting	EW 16S
2	EA 237	1	Angle fitting	EW 18 L
3	HLR 9261	1	Pipe	D 16
4	HLR 9262	1	Pipe (R2X,R3X)	D 18
4	HLR 9263	1	Pipe (R1)	D 18
5	HLR 9264	1	Pipe	D 16
6	HLR 9265	1	Pipe (R2X,R3X)	D 18
6	HLR 9266	1	Pipe (R1)	D 18
7	HLR 9267	1	Pipe	D 16
8	HLR 9268	1	Pipe (R2X,R3X)	D 18
8	HLR 9269	1	Pipe (R1)	D 18
9	EA 033	1	Fitting	GE 16 SR 3/4"ED
10	EA 243	1	Fitting	GE 18 L R3/4"

**H**

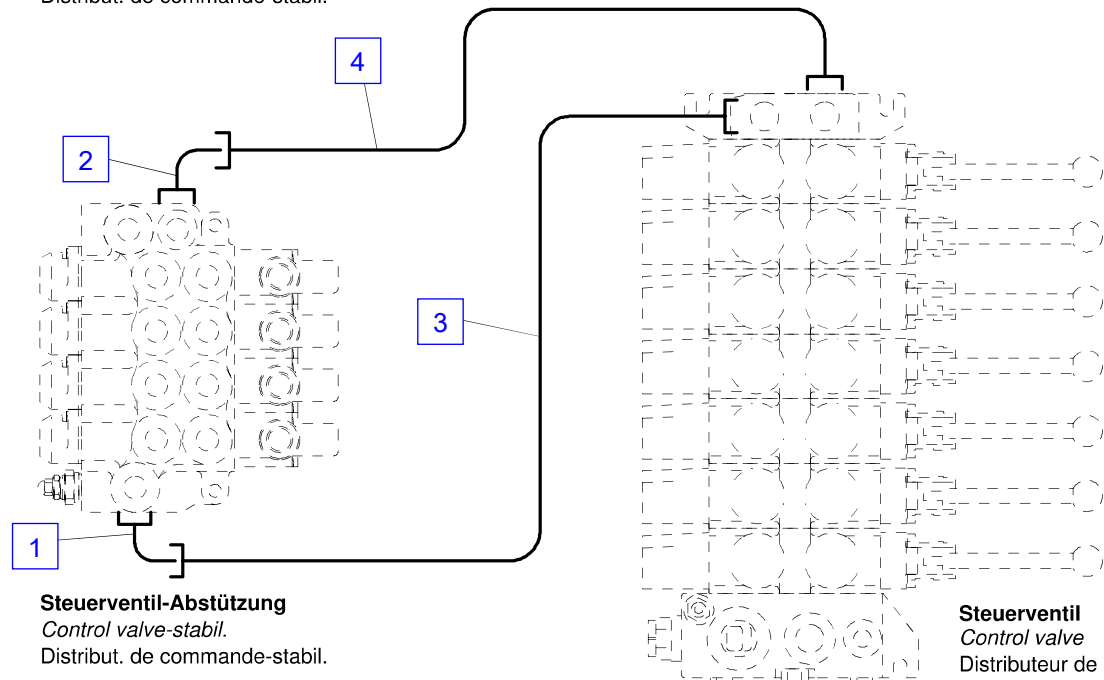


**Steuerventil-Abstützung**  
Control valve-stabil.  
Distribut. de commande-stabil.

**F**



**Steuerventil-Abstützung**  
Control valve-stabil.  
Distribut. de commande-stabil.



**Steuerventil-Abstützung**  
Control valve-stabil.  
Distribut. de commande-stabil.

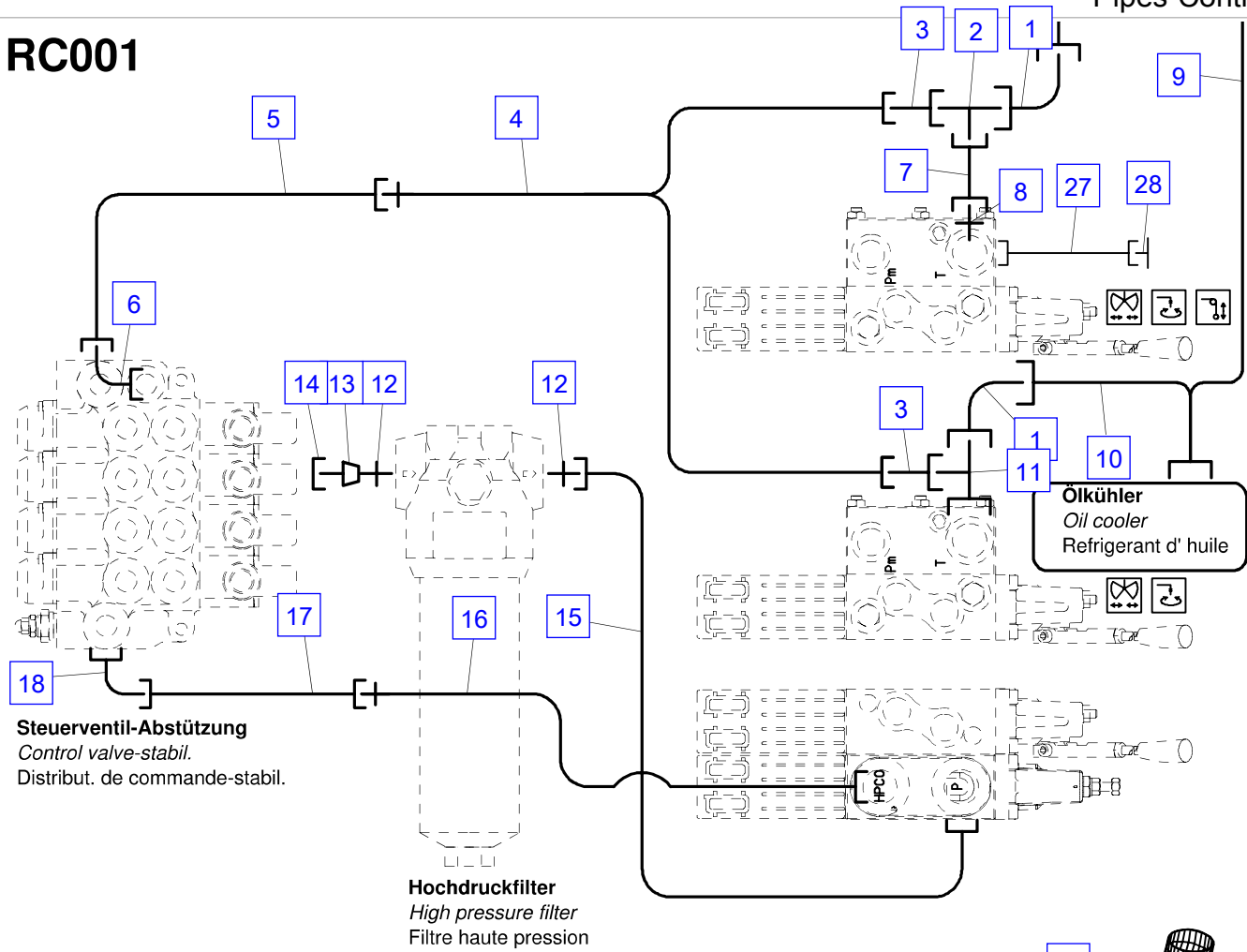
**Steuerventil**  
Control valve  
Distributeur de commande

Pipes-Control RC

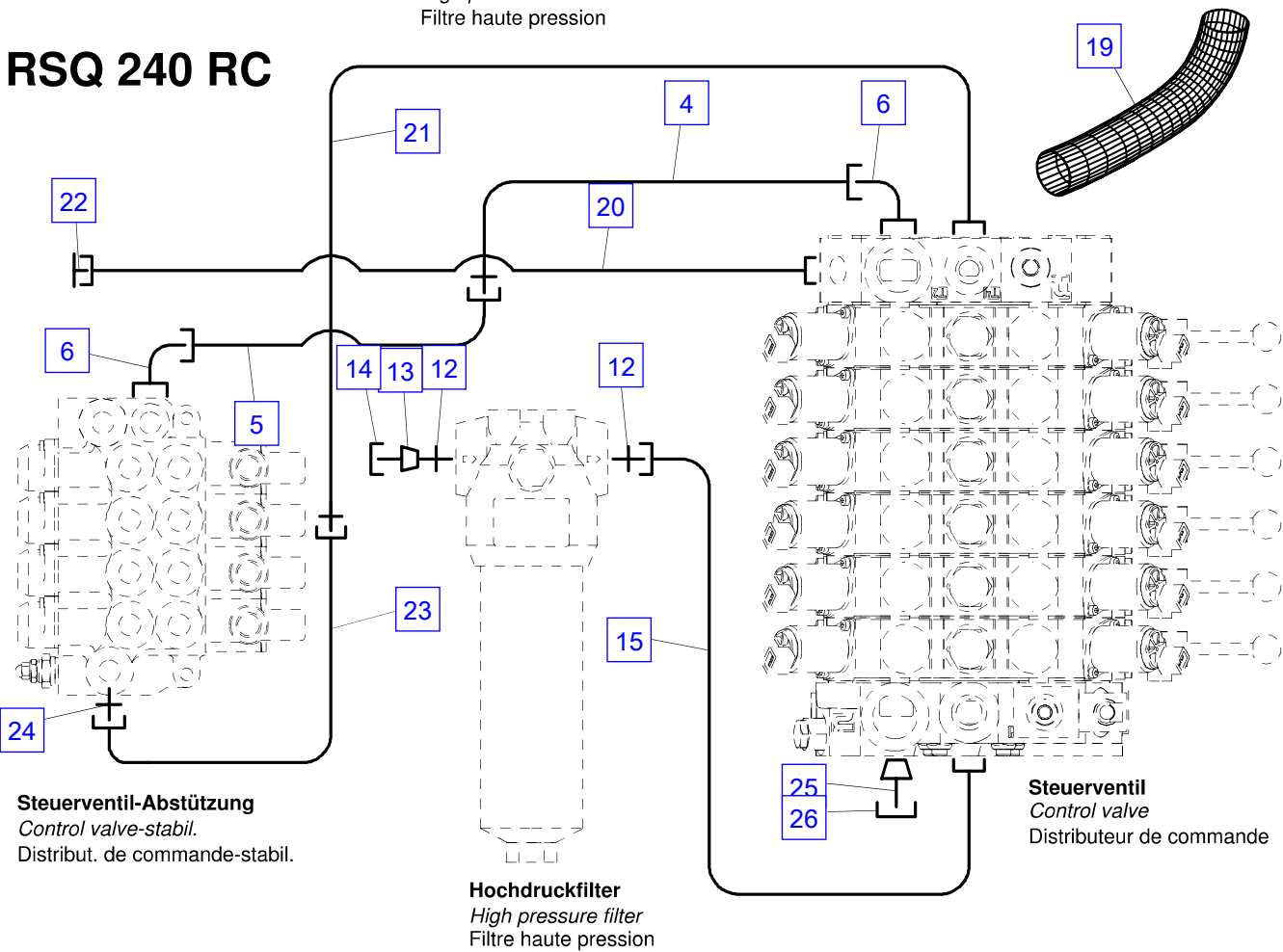
No.	Spare part	Qty.	Description	Dimension
1	EA 258	1	Angle fitting	EVW 28 L
2	EA1427	1	Fitting	TR 28/22/28-L
3	EA 555	1	Reduction	RED 28/18 L
4	EH5543	1	Hose	NW 16x1650
5	HLR 9173	1	Pipe (R2X,R3X)	D 18
5	HLR 9177	1	Pipe (R1)	D 18
6	EA 237	2	Angle fitting	EW 18 L
7	HLR 9915	1	Pipe	D 22
8	EA 330	1	Fitting	GE 22-L 3/4"-ED
9	EH3425	1	Hose	NW 25x1700
10	EH3425	1	Hose	NW 25x1700
11	EA 401	1	L-Coupling	EL 28L
12	EA 097	2	Fitting	GE 20S R3/4"-ED
12	EA 754	2	Fitting	GE 20S R1/1"
13	EA 345	1	Blind plug	VKA 20
14	EA 106	1	Nut	M 20 S
15	EH 116	1	Hose	NW 16x700
16	EH 703	1	Hose	NW 12x1700
17	HLR 9174	1	Pipe	D 16
18	EA 019	1	Angle fitting	EW 16S
19	EH 763	1	Protection hose	NW 050x1300
20	EH4891	1	Hose	NW 6x1550
21	EH 378	1	Hose	NW 8x1700
22	EA1023	1	Blanking part	ROV-10L
23	HLR 9175	1	Pipe	D 12
24	EA 039	1	Fitting	GE 12S R3/8"-ED
25	EA 347	1	Blind plug	VKA 28
26	EA 227	1	Nut	M 28 L
27	EH1583	1	Hose	NW 6x1500
28	EA1462	1	Blanking part	ROV-8S



**RC001**



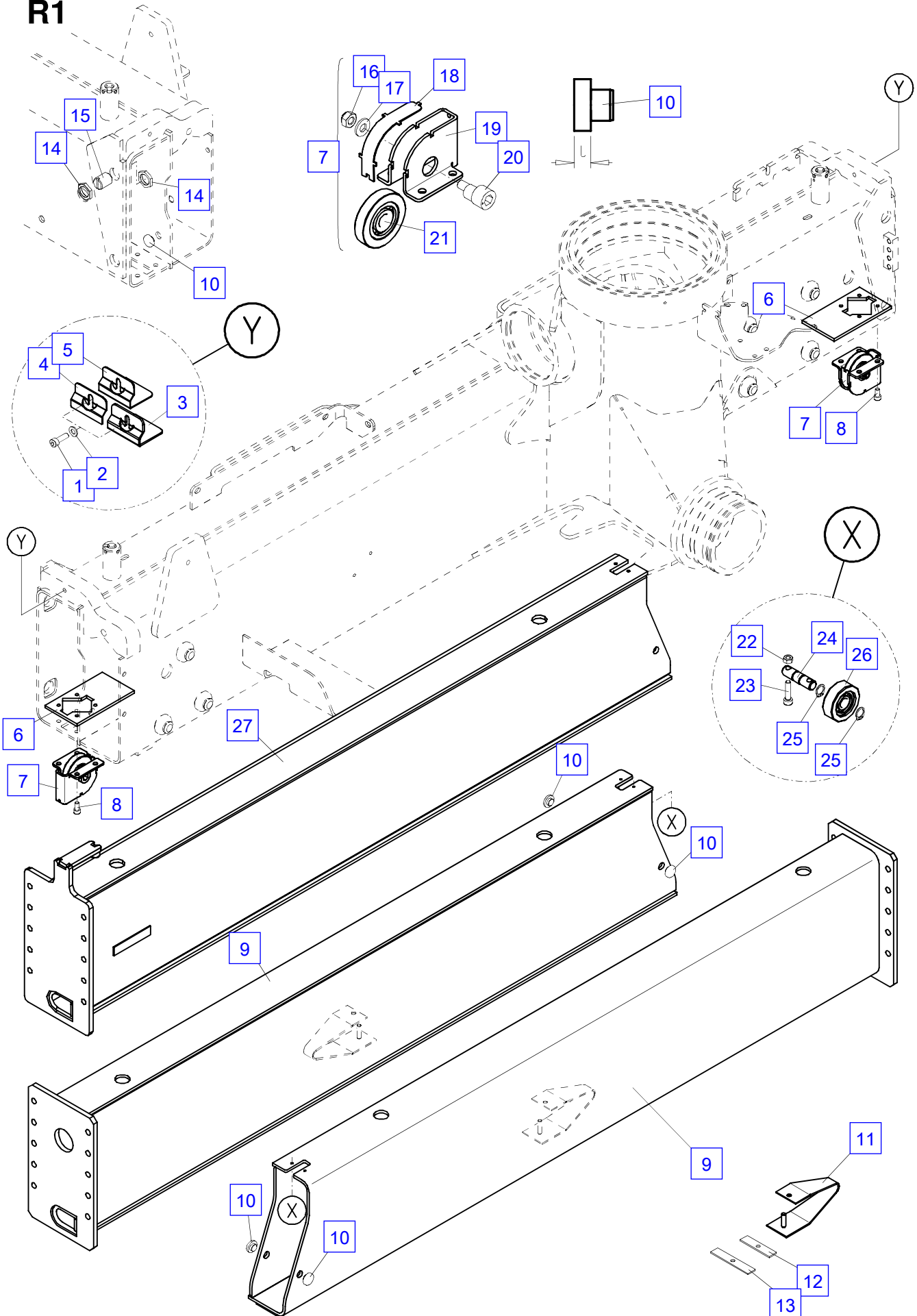
**RSQ 240 RC**



Extension box-R1

No.	Spare part	Qty.	Description	Dimension
1	ES 276	2	Screw	M 10x30 ISO4762- 8.8
2	EK 007	2	Washer	D 10.5 ISO7089
3	HA7276	2	Stiffening plate	4 mm
3	HA7705	2	Sliding guide	3 mm
4	HA7199	2	Stiffening plate	
5	HA7198	2	Sliding guide	2 mm
6	HTR1192	2	Stop buffer	L0157 B0088 S0006
7	HXE1718	2	Tread roller, cpl.	
8	ES 264	8	Screw	M8x16 ISO4762- 8.8
9	1160-210	2	Extension box	
10	HF 047	8	Guide	2 mm
10	HF 108	8	Guide	4 mm
10	HF 007	8	Guide	5 mm
10	HF 795	8	Guide	6 mm
11	HXE 139	2	Sliding shoe	
12	HTR3548	2	Plate	l=80 mm
13	HTR3549	2	Plate	l=102 mm
14	EM 180	8	Nut	M24x1,5
15	HIG 653	4	Guide	l=28 mm
16	EM 021	1	Nut	DIN 985 M10 CL8 ZB
17	EK 202	1	Washer	D 10,5 DIN 134
18	HA6238	1	Cover plate	
19	HA6237	1	Bearer	
20	HR 226	1	Eccentric bolt	
21	ELW 269	1	Ball bearing	D=70 mm
22	EM 004	4	Nut	DIN 934 M6 CL8 ZB
23	ES 855	4	Screw	M 6x25 ISO4762- 8.8
24	HI 521	2	Pin	
25	EQ 043	4	Circlip	D 12 DIN 471
26	HR 124	2	Tread roller	D 47 mm
27	1160-211	2	Extension box	

**R1**



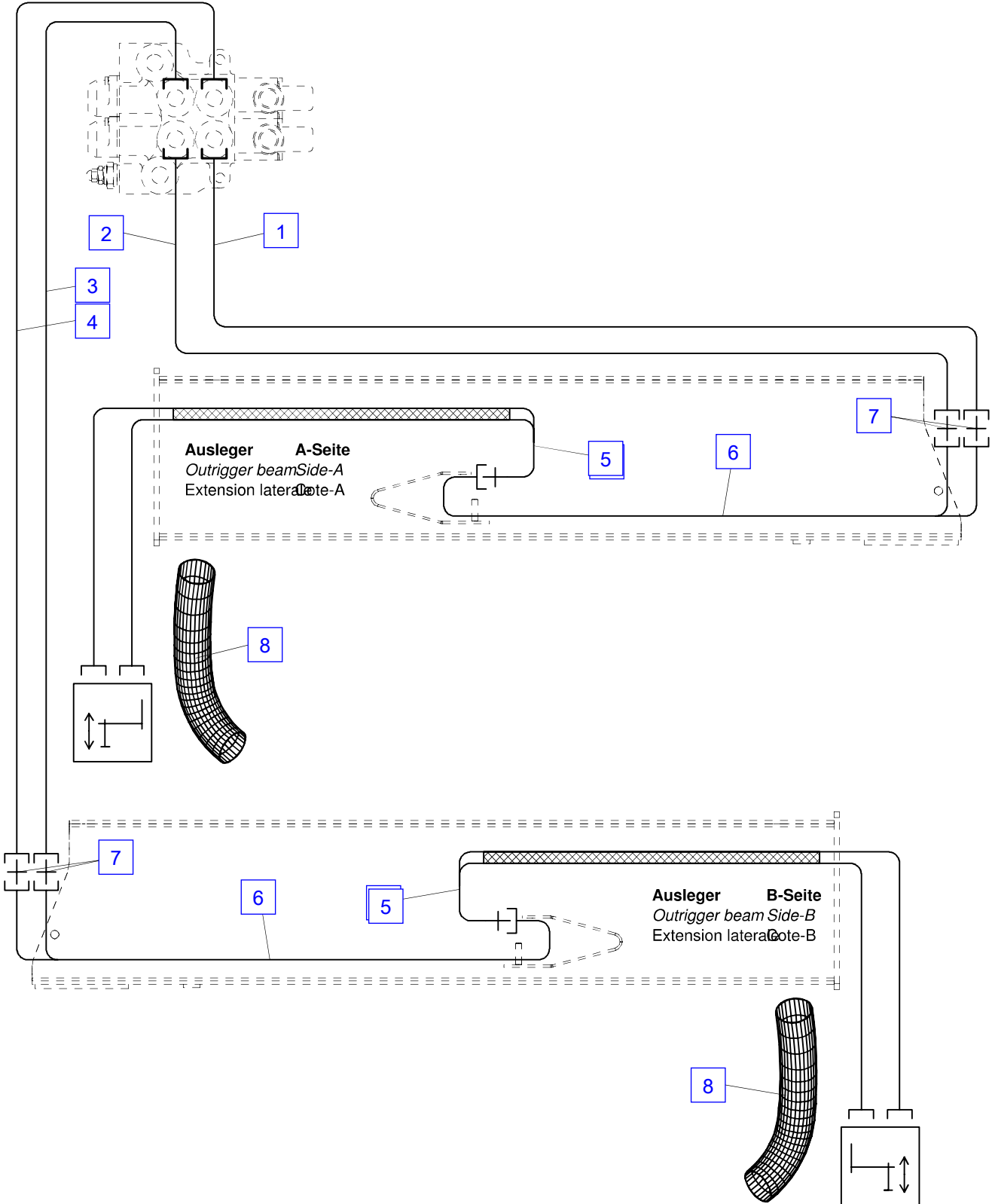
Pipes-R1

No.	Spare part	Qty.	Description	Dimension
1	HLR 9272	1	Pipe	D 12
2	HLR 9273	1	Pipe	D 12
3	HLR 9271	1	Pipe	D 12
4	HLR 9270	1	Pipe	D 12
5	EH4814	2	Hose package, cpl. (STZS)	NW 8x2400
	EH 340	2	Hose	NW 8x2400
	EH4804	1	Protection hose	D 40x2000
5	EH5071	2	Hose package, cpl. (STZY)	NW 8x2650
	EH4804	1	Protection hose	D 40x2000
	EH5072	2	Hose	NW 8x2650
6	HLR 8497	4	Pipe	D 12
7	EA 204	4	Fitting	G 12 S
8	EH1487	2	Protection hose (STZY)	NW 50x750

**Steuerventil-Abstützung**

*Control valve-stabil.*

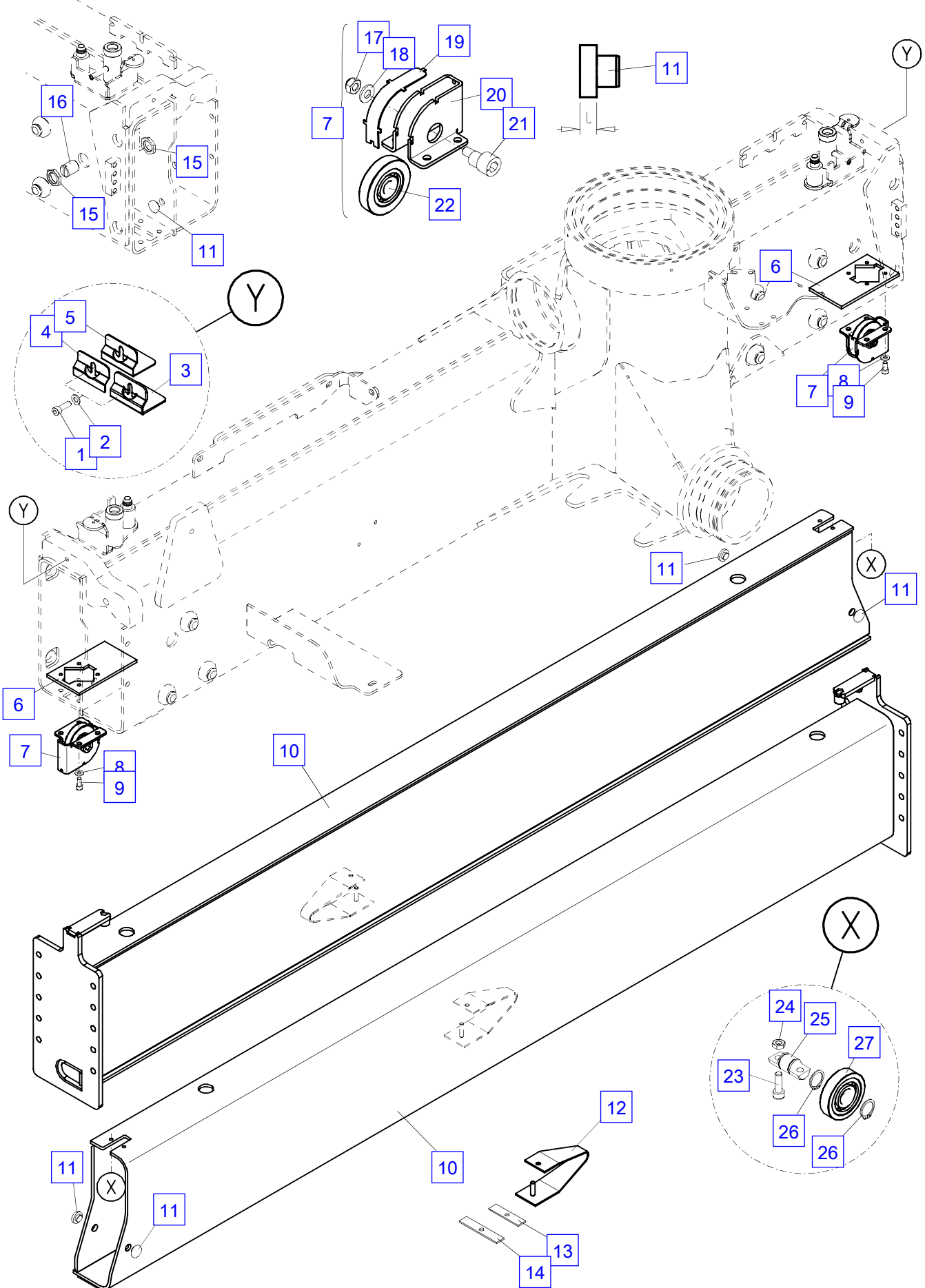
*Distribut. de commande-stabil.*



Extension box-R2

No.	Spare part	Qty.	Description	Dimension
1	ES 276	2	Screw	M 10x30 ISO4762- 8.8
2	EK 007	2	Washer	D 10.5 ISO7089
3	HA7276	2	Stiffening plate	4 mm
3	HA7705	2	Sliding guide	3 mm
4	HA7199	2	Stiffening plate	
5	HA7198	2	Sliding guide	2 mm
6	HTR1192	2	Stop buffer	L0157 B0088 S0006
7	HXE1718	2	Tread roller, cpl.	
8	EK 003	8	Washer	D 8.4 ISO7089
9	ES 264	8	Screw	M8x16 ISO4762- 8.8
10	S205A21-A	2	Extension box	
11	HF 047	8	Guide	2 mm
11	HF 050	8	Guide	3 mm
11	HF 108	8	Guide	4 mm
11	HF 007	8	Guide	5 mm
11	HF 795	8	Guide	6 mm
12	HXE 139	2	Sliding shoe	
13	HTR3548	2	Plate	l=80 mm
14	HTR3549	2	Plate	l=102 mm
15	EM 180	8	Nut	M24x1,5
16	HIG 653	4	Guide	l=28 mm
17	EM 021	1	Nut	DIN 985 M10 CL8 ZB
18	EK 202	1	Washer	D 10,5 DIN 134
19	HA6238	1	Cover plate	
20	HA6237	1	Bearer	
21	HR 226	1	Eccentric bolt	
22	ELW 269	1	Ball bearing	D=70 mm
23	ES 006	4	Screw	M 8x25 ISO4762-10.9
24	EM 022	4	Nut	M 8 DIN 936
25	HI 967	2	Pin	
26	EQ 041	4	Circlip	DIN 471 20X1,2 OT
27	HR 203	2	Tread roller	D 60 mm

**R2**



Pipes-R2

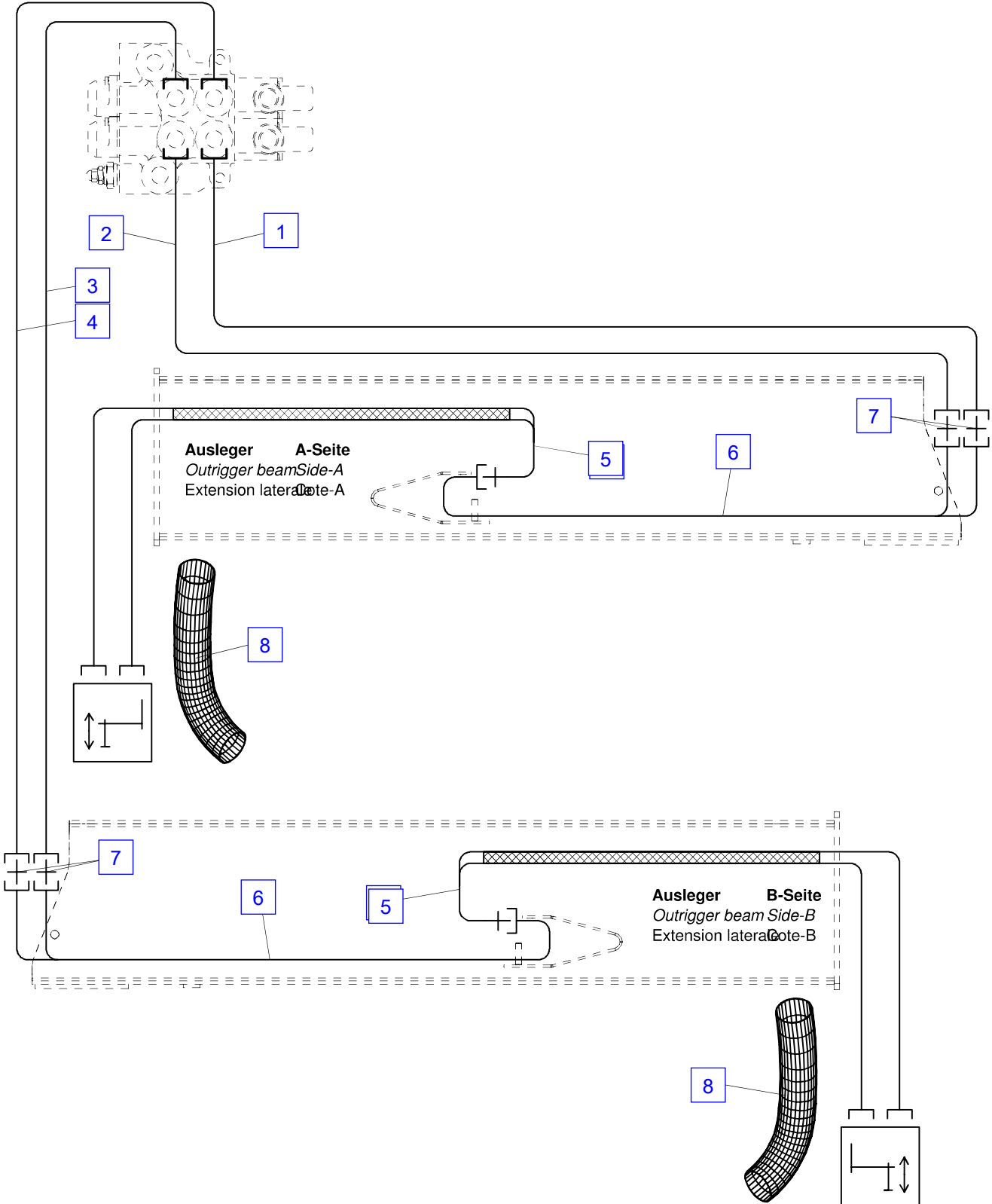
No.	Spare part	Qty.	Description	Dimension
1	HLR 9272	1	Pipe	D 12
2	HLR 9273	1	Pipe	D 12
3	HLR 9271	1	Pipe	D 12
4	HLR 9270	1	Pipe	D 12
5	EH6049	2	Hose (STZS,R2)	NW 8x2800
	EH6048	0	Protection hose	D 40x2400
	EH4791	0	Hose	NW 8x2800
5	EH6163	2	Hose (STZY,R2)	NW 8x3100
	EH 575	1	Hose	NW 8x3100
	EH6048	1	Protection hose	D 40x2400
6	HLR 8497	4	Pipe	D 12
7	EA 204	4	Fitting	G 12 S
8	EH1487	2	Protection hose (STZY)	NW 50x750



**Steuerventil-Abstützung**

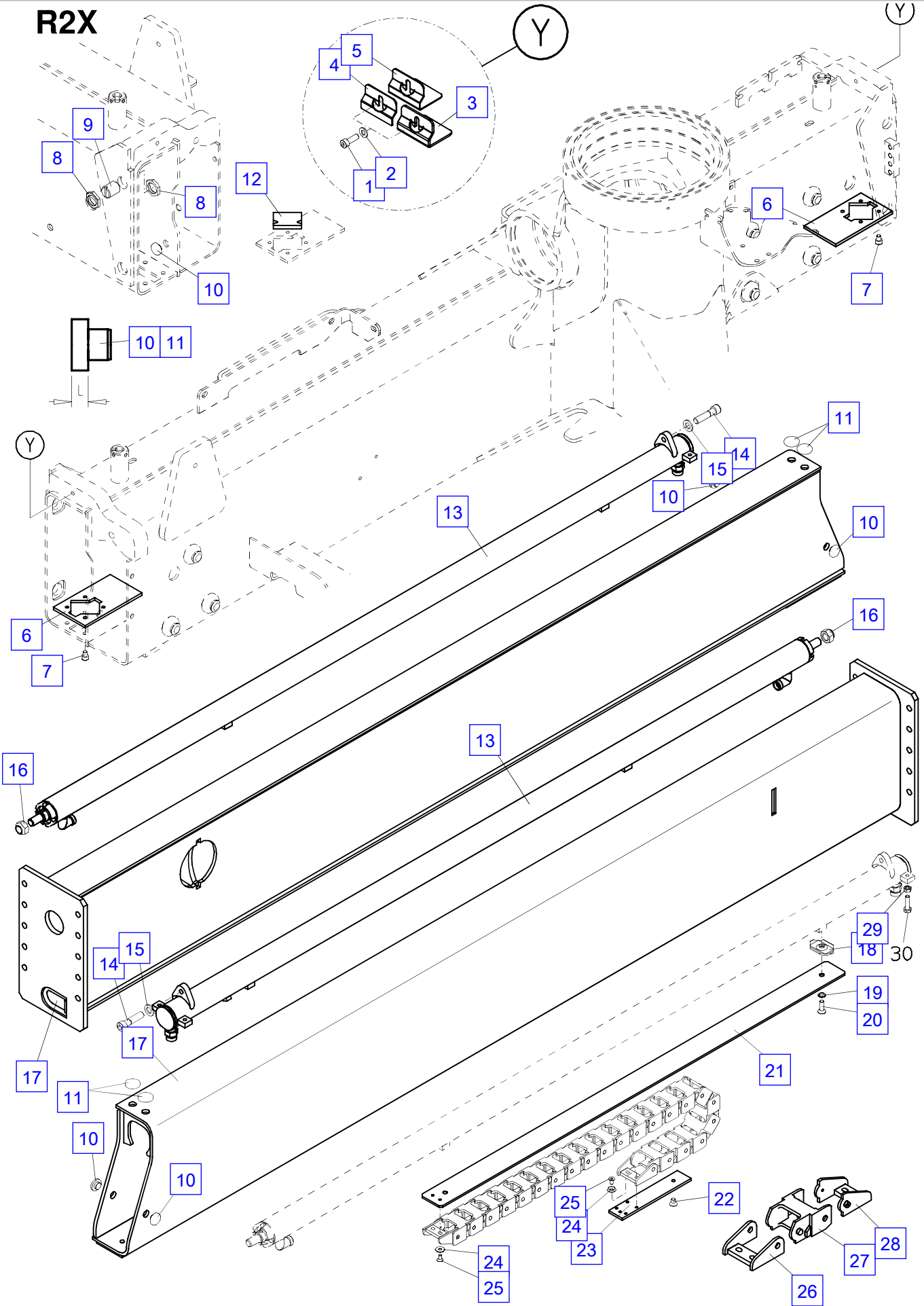
*Control valve-stabil.*

*Distribut. de commande-stabil.*



Extension box-R2X

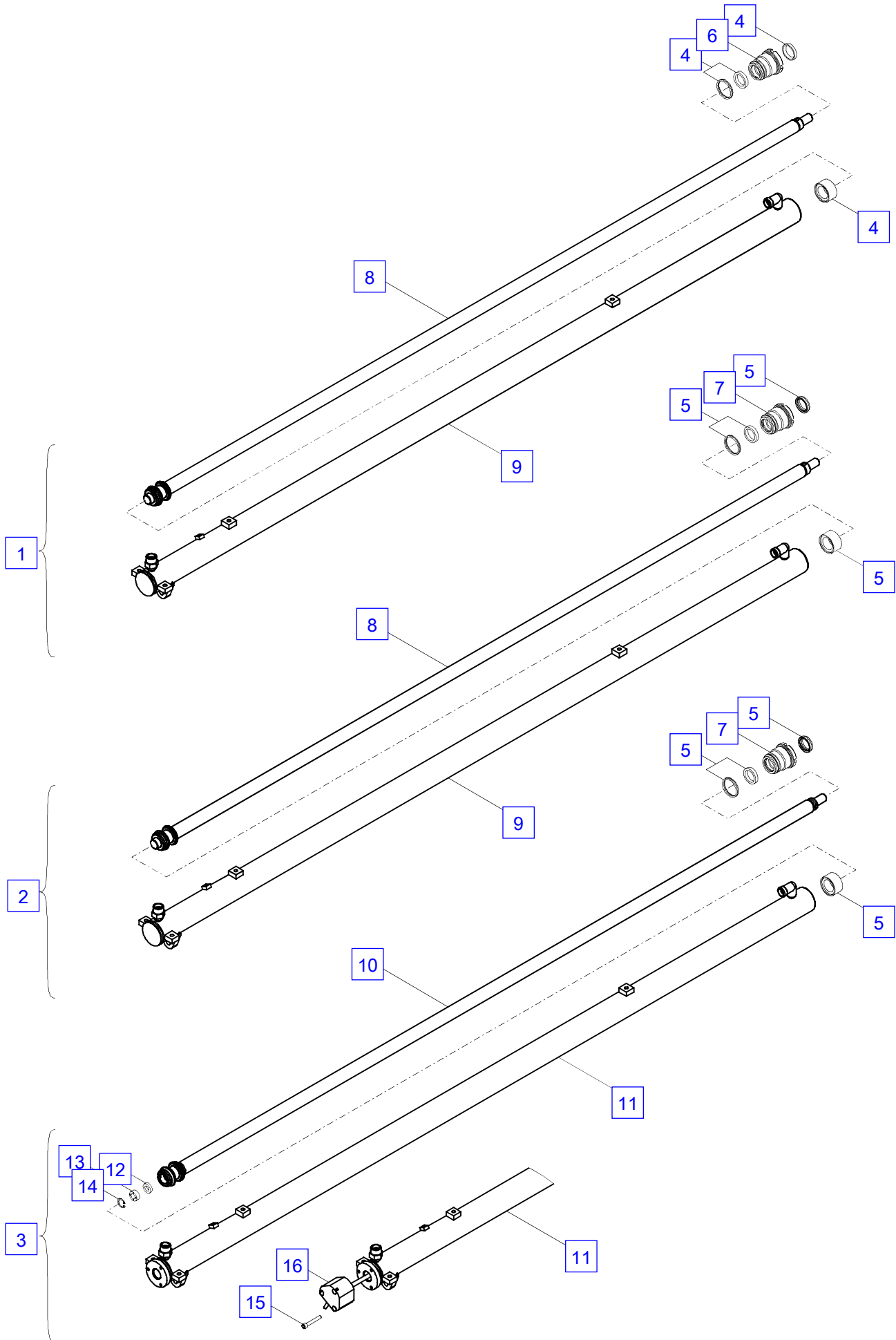
No.	Spare part	Qty.	Description	Dimension
1	ES 276	2	Screw	M 10x30 ISO4762- 8.8
2	EK 007	2	Washer	D 10.5 ISO7089
3	HA7276	2	Stiffening plate	4 mm
3	HA7705	2	Sliding guide	3 mm
4	HA7199	2	Stiffening plate	
5	HA7198	2	Sliding guide	2 mm
6	HTR1192	2	Stop buffer	L0157 B0088 S0006
7	ES 374	8	Screw	M 8x12 ISO4762- 8.8
8	EM 180	8	Nut	M24x1,5
9	HIG 653	4	Guide	l=28 mm
10	HF 050	8	Guide	3 mm
10	HF 108	8	Guide	4 mm
10	HF 007	8	Guide	5 mm
10	HF 795	8	Guide	6 mm
11	HF 576	4	Guide	4 mm
11	HF 577	4	Guide	5 mm
11	HF 578	4	Guide	6 mm
12	HF 834	2	Guide block	8 mm l=55 mm
12	HF 835	2	Guide block	9 mm l=55 mm
12	HF 836	2	Guide block	10 mm l=55 mm
13	UP1408	2	Outrigger extension cylinder see page 010.1201	
14	ES 458	2	Screw	M 12x50 ISO4762-10.9
15	EK 301	2	Washer	D 12 ISO7089-A2-HV140
16	EM 031	2	Nut	M 16 DIN 985
17	1160-220	2	Extension box	
18	HX 611	4	Clip	L0058.2xB0039.1 xS003.0
19	EQ 123	4	Fan disc	V 8,4 DIN 6798
20	ES 297	4	Screw	M 8x25 ISO14581- 8.8
21	HTR 976	2	Fastening plate	
22	ES 123	2	Screw	M 8x12 ISO14581- 8.8
23	HTR 987	2	Fastening plate	
24	EK 567	8	Washer	D 6
25	ES 419	8	Screw	M6x12 ISO14581- 8.8
26	EZ1367	2	Special single part	
27	EZ 437	48	Chain link	
28	EZ1368	2	Special single part	
29	EM 003	4	Nut	M 8 DIN 934-8
30	ES 013	4	Screw	M 8x30 DIN 933



Extension cylinder-R2X

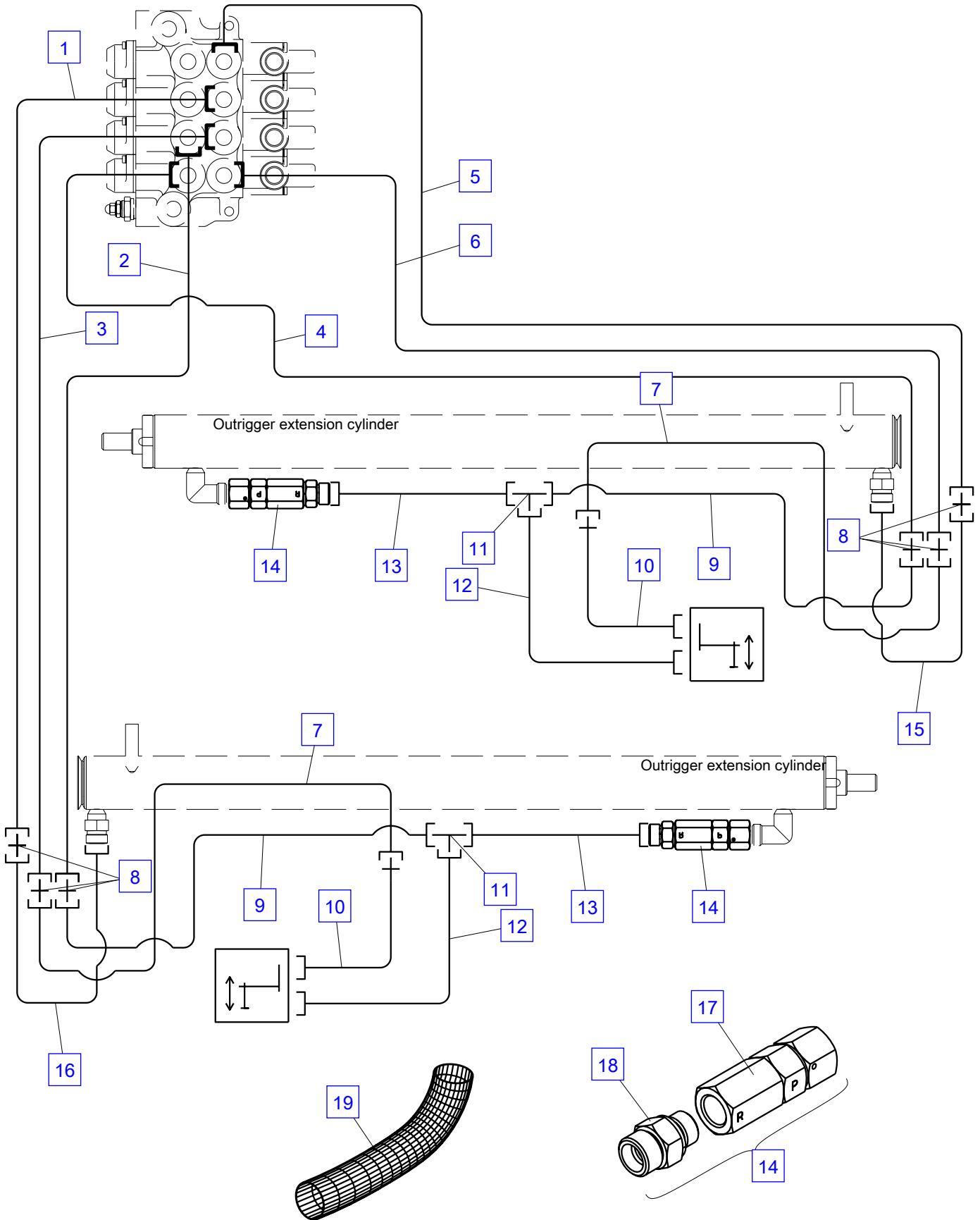
No.	Spare part	Qty.	Description	Dimension
1	UP1408	1	Outrigger extension cylinder	
2	UP1408B	1	Outrigger extension cylinder	l=1805 mm
3	UP2911	1	Outrigger extension cylinder HPSC	l=1811 mm
4	TD 526	1	Seal kit	
5	TD 526A	1	Seal kit	
6	HV 437	1	Cylinder nut	
7	HV 437A	1	Cylinder nut	M044x1.5 d025xL052
8	HSK1166	1	Piston rod	D025xL1799 Dzyl.040
9	HY1280	1	Cylinder tube	d040
10	HSK1863	1	Piston rod	
11	HY2124	1	Cylinder tube	
12	EK2610	1	Spacer	
13	EZ4848	1	Solenoid	
14	EQ1487M	1	Circlip	D 20 DIN 472
15	ES 105	3	Screw	M 6x40 ISO4762 10.9
16	EEA 10036	1	Sensor (R2X)	
16	EEA 10151	1	Sensor (R3X)	

Extension cylinder-R2X



Pipes-R2X

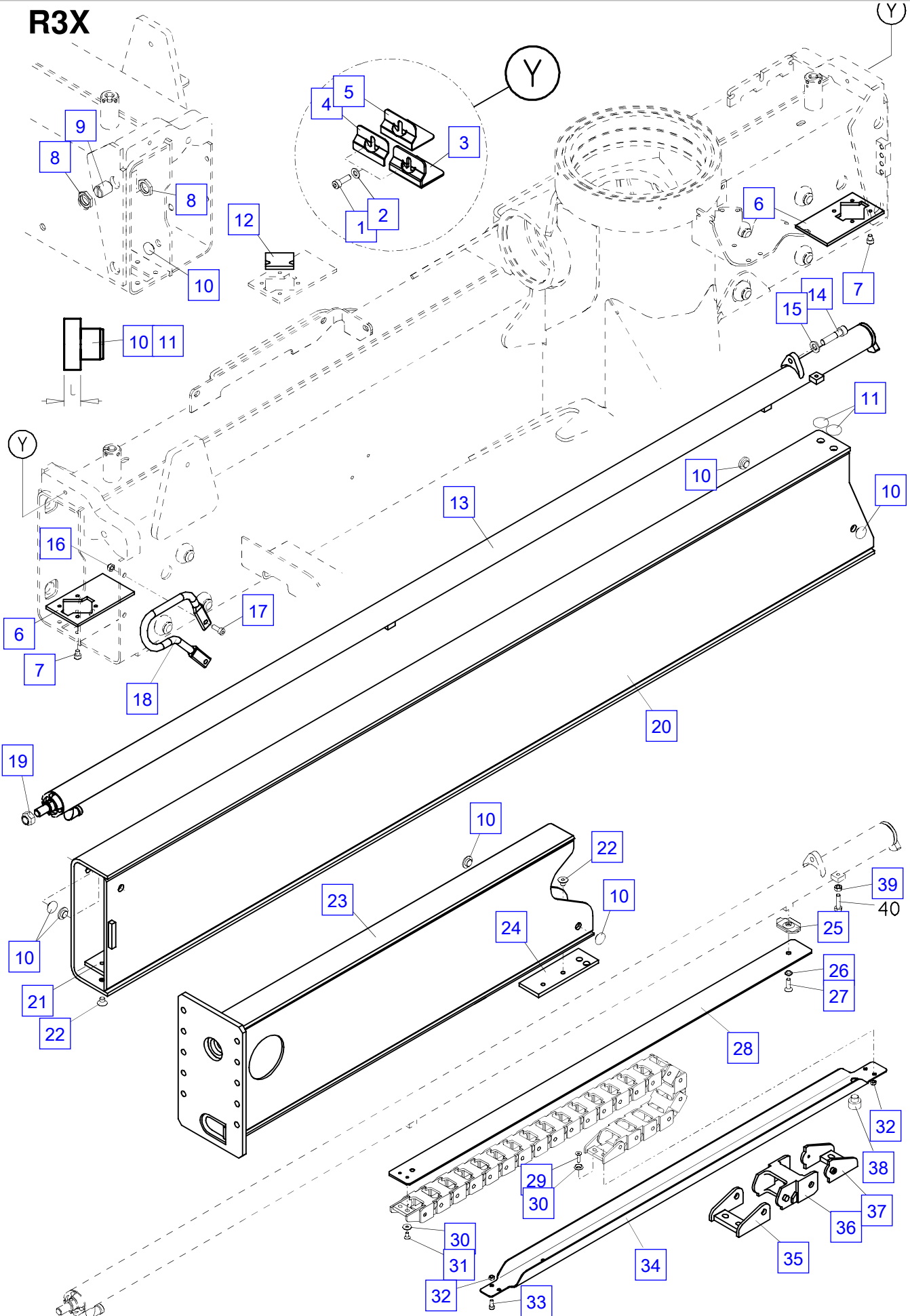
No.	Spare part	Qty.	Description	Dimension
1	HLR 9275	1	Pipe	D 12
2	HLR 9271	1	Pipe	D 12
3	HLR 9270	1	Pipe	D 12
4	HLR 9273	1	Pipe	D 12
5	HLR 9274	1	Pipe	D 12
6	HLR 9272	1	Pipe	D 12
7	HLR 8488	2	Pipe	D 12
8	EA 204	6	Fitting	G 12 S
9	HLR 8487	2	Pipe	D 12
10	EH 286	2	Hose (STZY)	NW 8x4000
10	EH9731	2	Hose (STZS)	NW 8x3900
11	EA 195	2	Fitting	T 12-S
12	EH9732	2	Hose (STZS)	NW 8x3900
12	EH5073	2	Hose (STZY)	NW 8x4000
13	HLR 8486	2	Pipe	D 12
14	UV423	2	Pretension valve, cpl.	80 bar
15	HLR 9283	1	Pipe	D 12
16	HLR 9282	1	Pipe	D 12
17	EV4107/080	1	Pretension valve	
18	EA 039	1	Fitting	GE 12S R3/8"-ED
19	EH1487	2	Protection hose (STZY)	NW 50x750



Extension box-R3X

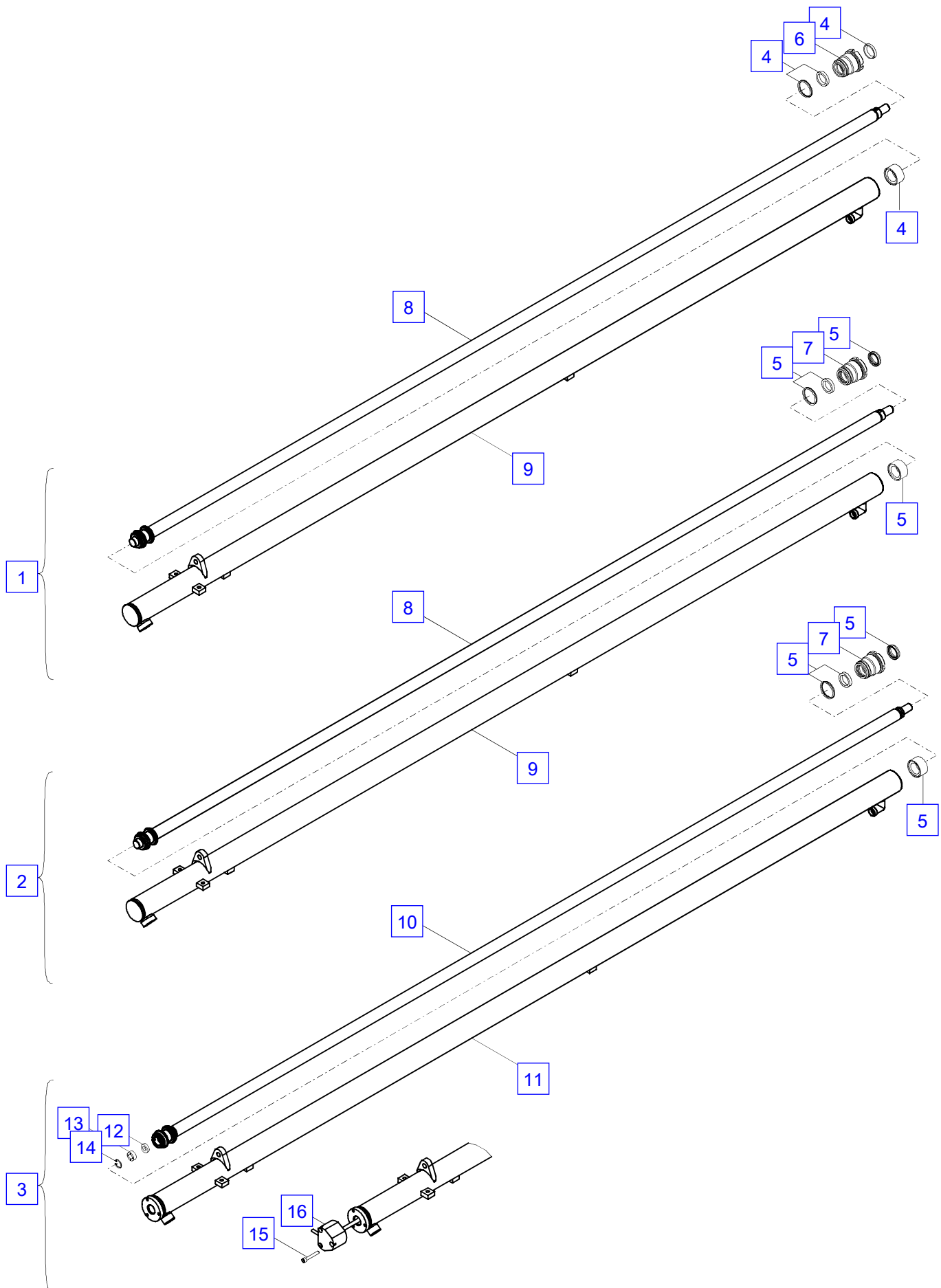
No.	Spare part	Qty.	Description	Dimension
1	ES 276	2	Screw	M 10x30 ISO4762- 8.8
2	EK 007	2	Washer	D 10.5 ISO7089
3	HA7276	2	Stiffening plate	4 mm
3	HA7705	2	Sliding guide	3 mm
4	HA7199	2	Stiffening plate	
5	HA7198	2	Sliding guide	2 mm
6	HTR1192	2	Stop buffer	L0157 B0088 S0006
7	ES 374	8	Screw	M 8x12 ISO4762- 8.8
8	EM 180	8	Nut	M24x1,5
9	HIG 653	4	Guide	l=28 mm
10	HF 050	16	Guide	3 mm
10	HF 108	16	Guide	4 mm
10	HF 007	16	Guide	5 mm
10	HF 795	16	Guide	6 mm
11	HF 576	4	Guide	4 mm
11	HF 577	4	Guide	5 mm
11	HF 578	4	Guide	6 mm
12	HF 834	2	Guide block	8 mm l=55 mm
12	HF 835	2	Guide block	9 mm l=55 mm
12	HF 836	2	Guide block	10 mm l=55 mm
13	UP1407A	2	Outrigger extension cylinder see page 010.1401	
14	ES 458	2	Screw	M 12x50 ISO4762-10.9
15	EK 301	2	Washer	D 12 ISO7089-A2-HV140
16	EM 026	2	Nut	M 8 DIN 985
17	ES 265	2	Screw	M 8x20 ISO4762- 8.8
18	HA8836	1	Protection stirrup	
19	EM 031	2	Nut	M 16 DIN 985
20	S205A30-A	2	Extension box	
21	HTR1246	2	Guide block	8 mm
21	HTR1278	2	Guide block	6 mm
22	ES 142	8	Screw	M 10x12 ISO14581- 8.8
23	S205A31-A	2	Extension box	
24	HTR1279	2	Guide block	8 mm
24	HTR3883	2	Guide block	6 mm
25	HX 611	4	Clip	L0058.2xB0039.1 xS003.0
26	EQ 123	4	Fan disc	V 8,4 DIN 6798
27	ES 297	4	Screw	M 8x25 ISO14581- 8.8
28	HTR 976	2	Fastening plate	
29	ES1329	4	Screw	M6x20 ISO14581- 8.8
30	EK 567	8	Washer	D 6
31	ES 419	4	Screw	M6x12 ISO14581- 8.8
32	EM 014	8	Nut	DIN 985-8 M 6
33	ES1146	4	Screw	M 6x14 ISO4762- 8.8
34	HA2598	2	Hose tray	
35	EZ1367	2	Special single part	
36	EZ 437	56	Chain link	
37	EZ1368	2	Special single part	
38	HF 281	2	Guide	13.5 mm
39	EM 003	4	Nut	M 8 DIN 934-8
40	ES 013	4	Screw	M 8x30 DIN 933





Extension cylinder-R3X

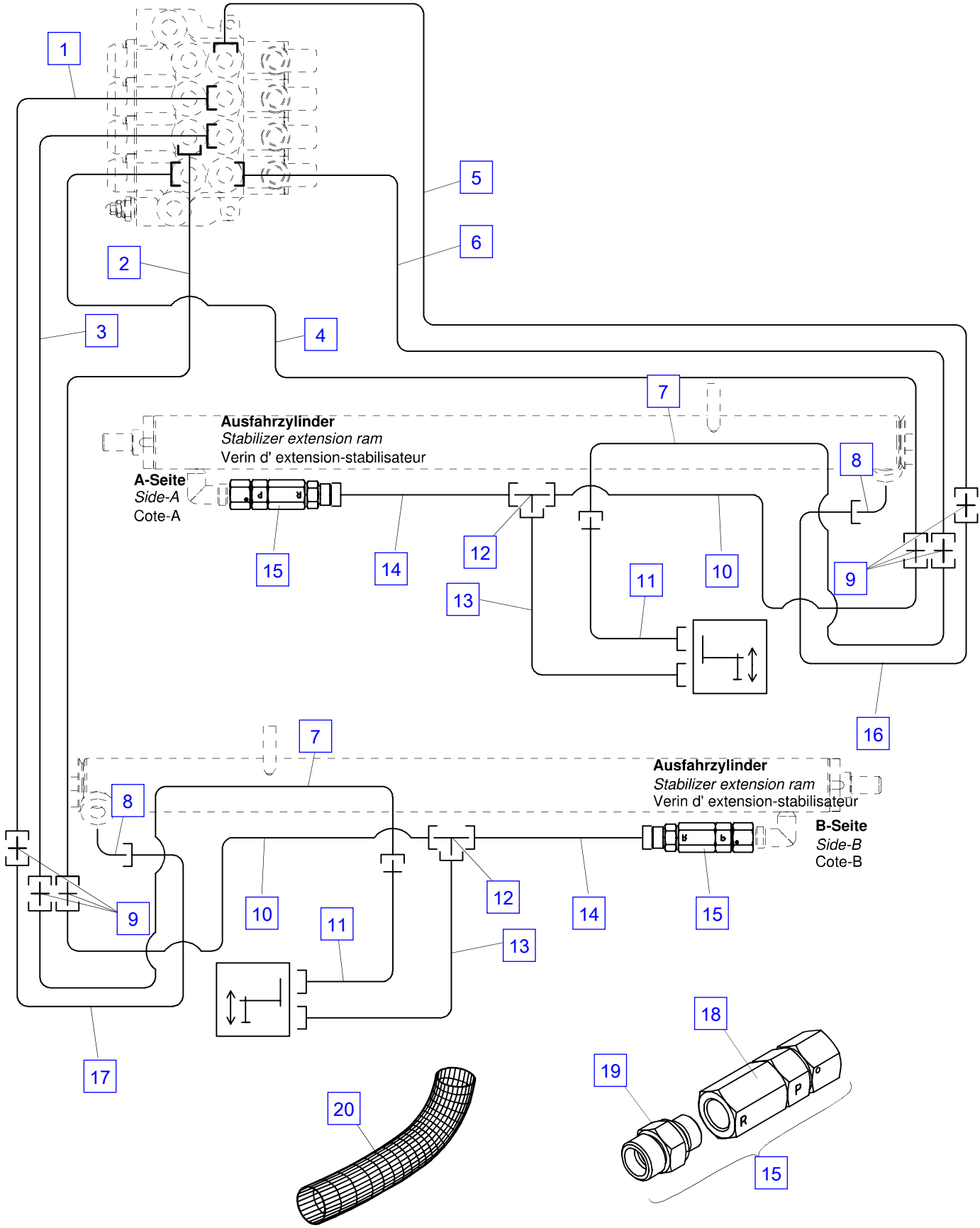
No.	Spare part	Qty.	Description	Dimension
1	UP1407A	1	Outrigger extension cylinder	
2	UP1407B	1	Outrigger extension cylinder	l=2293 mm
3	UP2910	1	Outrigger extension cylinder HPSC	
4	TD 526	1	Seal kit	
5	TD 526A	1	Seal kit	
6	HV 437	1	Cylinder nut	
7	HV 437A	1	Cylinder nut	M044x1.5 d025xL052
8	HSK1164	1	Piston rod	
9	HY1279A	1	Cylinder tube	
10	HSK1876	1	Piston rod	
11	HY2123	1	Cylinder tube	
12	EK2610	1	Spacer	
13	EZ4848	1	Solenoid	
14	EQ1487M	1	Circlip	D 20 DIN 472
15	ES 105	3	Screw	M 6x40 ISO4762 10.9
16	EEA 10036	1	Sensor (R2X)	
16	EEA 10151	1	Sensor (R3X)	



Pipes-R3X

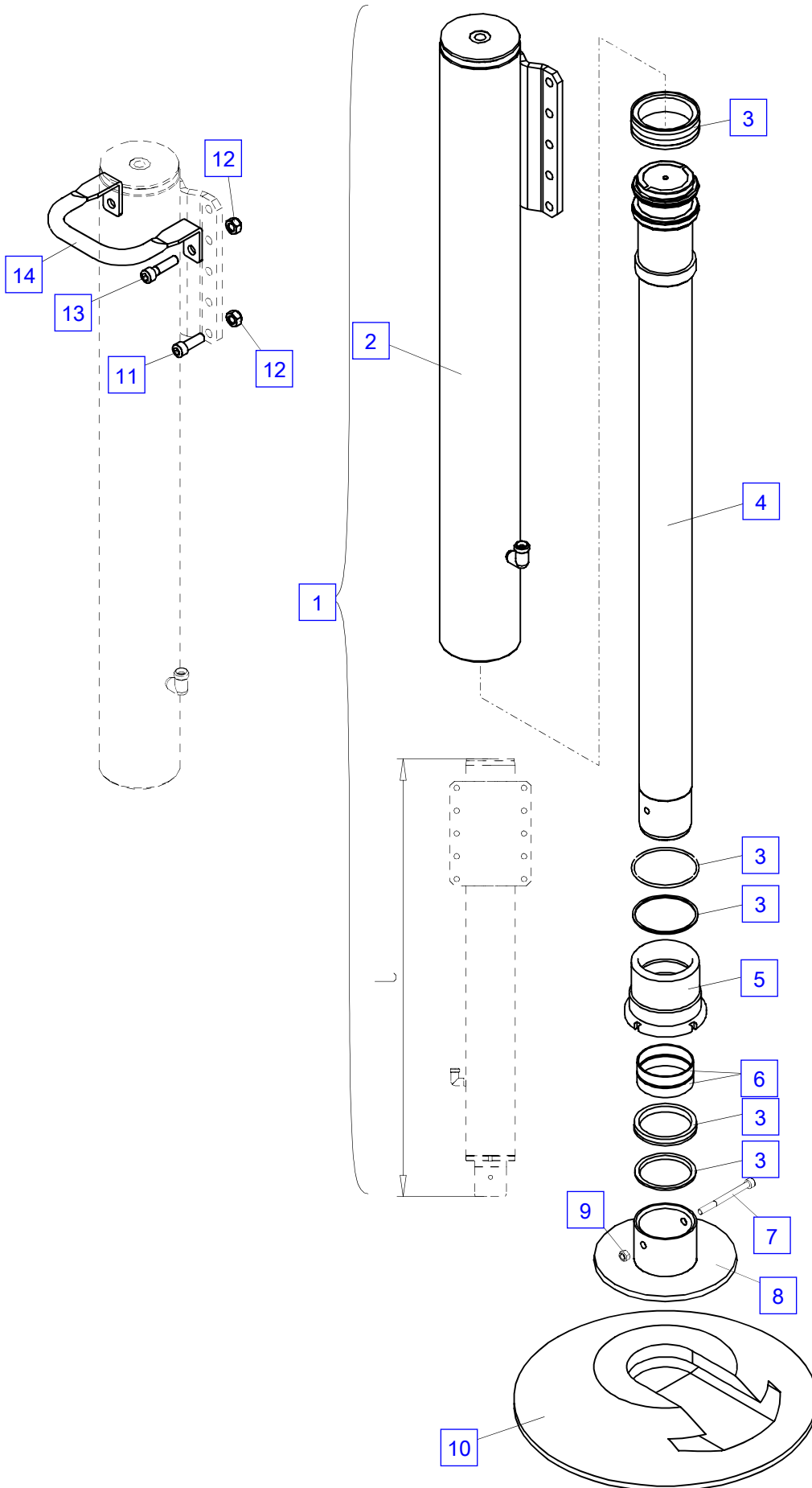
No.	Spare part	Qty.	Description	Dimension
1	HLR 9275	1	Pipe	D 12
2	HLR 9271	1	Pipe	D 12
3	HLR 9270	1	Pipe	D 12
4	HLR 9273	1	Pipe	D 12
5	HLR 9274	1	Pipe	D 12
6	HLR 9272	1	Pipe	D 12
7	HLR 9324	2	Pipe	D 12
8	EA1749	2	Adaptor	WEE 12S 3/8"
9	EA 204	6	Fitting	G 12 S
10	HLR 9323	2	Pipe	D 12
11	EH 286	2	Hose (STZY)	NW 8x4000
11	EH4784	2	Hose (STZS)	NW 8x3800
12	EA 195	2	Fitting	T 12-S
13	EH4783	2	Hose (STZS)	NW 8x3850
13	EH5073	2	Hose (STZY)	NW 8x4000
14	HLR 9322	2	Pipe	D 12
15	UV423	2	Pretension valve, cpl.	80 bar
16	HLR 9967	1	Pipe	D 12
17	HLR 9966	1	Pipe	D 12
18	EV4107/080	1	Pretension valve	
19	EA 039	1	Fitting	GE 12S R3/8"-ED
20	EH1487	2	Protection hose (STZY)	NW 50x750

**Steuerventil-Abstützung**  
*Control valve-stabil.*  
Distribut. de commande-stabil.



Stabilizer ram-STZS

No.	Spare part	Qty.	Description	Dimension
1	UP1489	1	Stabilizer ram (Type old)	l=961 mm
1	UP598A	1	Stabilizer ram (Type old)	l=1111 mm
1	UP1899	1	Stabilizer ram (Type new)	l=1061 mm
2	HY1370	1	Cylinder tube (for UP1489)	
2	HY 665A	1	Cylinder tube (for UP598A)	
2	HY1654	1	Cylinder tube (for UP1899)	
3	TD 596	1	Seal kit (+6)	
4	HSK 083A	1	Piston rod (for UP1489)	
4	HSK 541	1	Piston rod (for UP598A)	
4	HSK1494	1	Piston rod (for UP1899)	
5	HV 371	1	Cylinder nut	M095x2.0 d070xL090
6	EG 051	2	Guide ring	75x70x15
7	ES1161	1	Screw	M 8x100 ISO4762- 8.8
8	HD 008	1	Stabilizer plates	STT="Std"
8	HD 048	1	Stabilizer extension	STT="100"
8	HD 063	1	Stabilizer extension	STT="190"
9	EM 026	1	Nut	M 8 DIN 985
10	EZ 872	1	Stabilizer plates	D 400
11	ES 157	8	Screw	M 12x35 ISO4762-10.9
12	EM 158M	10	Nut	M 12 DIN 980
13	ES 173	2	Screw	M 12x45 ISO4762-10.9
14	HAU 197	1	Stirrup	



**Stützteller nicht im Lieferumfang enthalten, diese müssen als Zubehör gesondert bestellt werden.**

*The support plates are not included in the delivery, they must be ordered separately as accessories.*

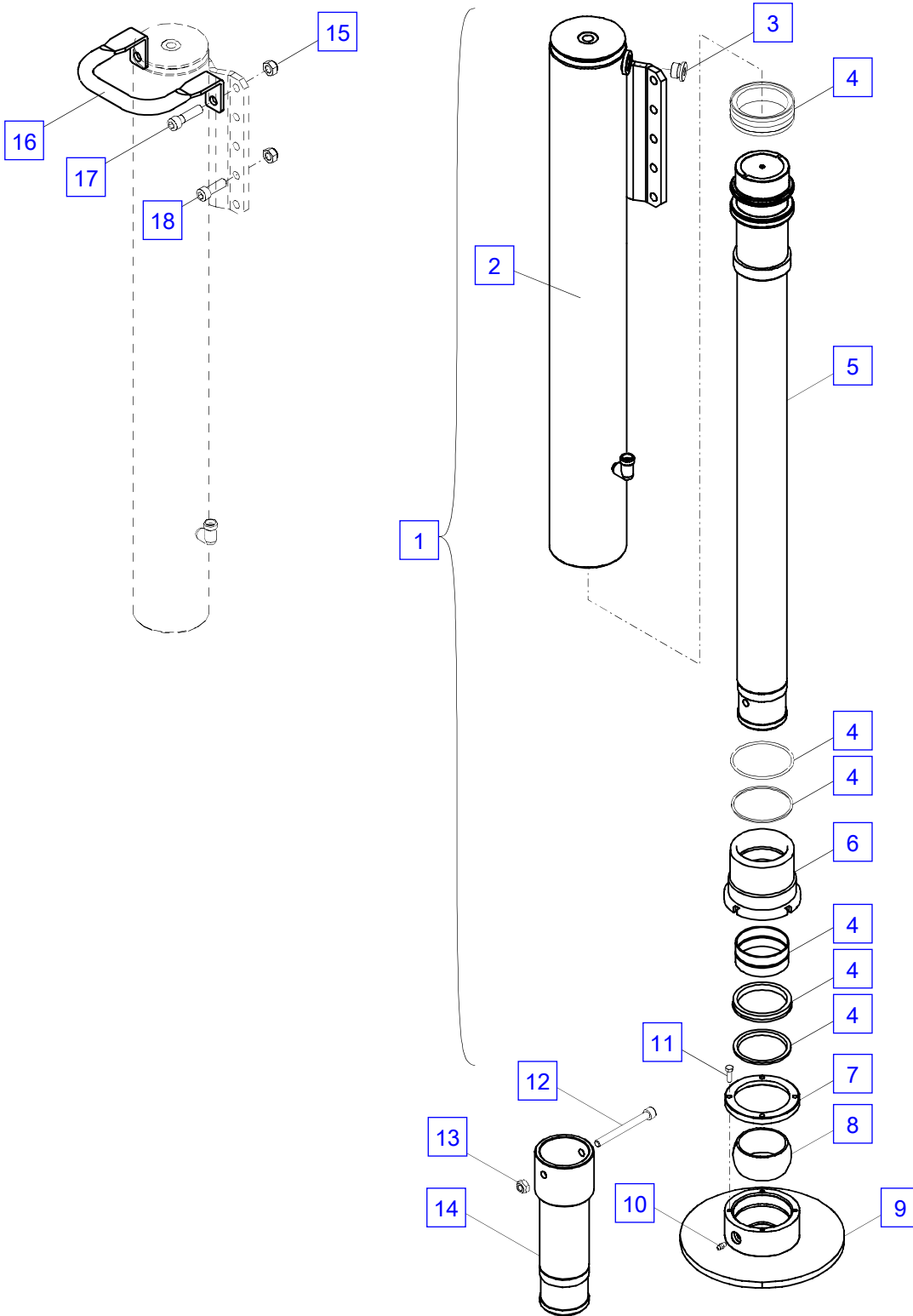
*Les pieds de bequille ne font pas partie de la fourniture ils doivent être commandés séparément comme accessoires.*

Stabilizer ram-STZS

No.	Spare part	Qty.	Description	Dimension
1	UP1489A	1	Stabilizer ram	l=961 mm
1	UP1899A	1	Stabilizer ram	l=1061 mm
2	HY1370A	1	Cylinder tube (for UP1489A)	
2	HY1654A	1	Cylinder tube (for UP1899A)	
3	EA 261	1	Locking screw	VSTI R1/2"
4	TD 596A	1	Seal kit	
5	HSK 083A	1	Piston rod (for UP1489A)	
5	HSK1494A	1	Piston rod (for UP1899A)	
6	HV 371A	1	Cylinder nut	
7	HBS3279	1	Cover	D105.0xd077.8xL010.0
8	HBS3280	1	Bearing bush	d066xD082xL040
9	HXE3179	1	Stabilizer plates	
10	EA 412	1	Grease nipple	M 6x1 H1 71412
11	ES 344	4	Screw	M6x20 DIN 933
12	ES1447	1	Screw	M 10x100 DIN912
13	EM 021	1	Nut	DIN 985 M10 CL8 ZB
14	HXE3230	1	Stabilizer extension	STT="200"
14	HXE9162	1	Stabilizer extension	STT="100"
15	EM 158M	10	Nut	M 12 DIN 980
16	HAU 197	1	Stirrup	
17	ES 173	2	Screw	M 12x45 ISO4762-10.9
18	ES 157	8	Screw	M 12x35 ISO4762-10.9



**EN-12999**



**Stützteller nicht im Lieferumfang enthalten, diese müssen als Zubehör gesondert bestellt werden.**

*The support plates are not included in the delivery, they must be ordered separately as accessories.*

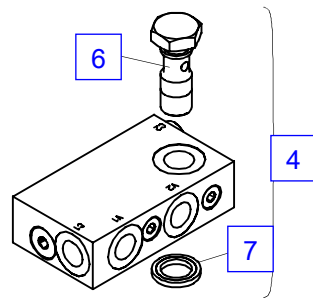
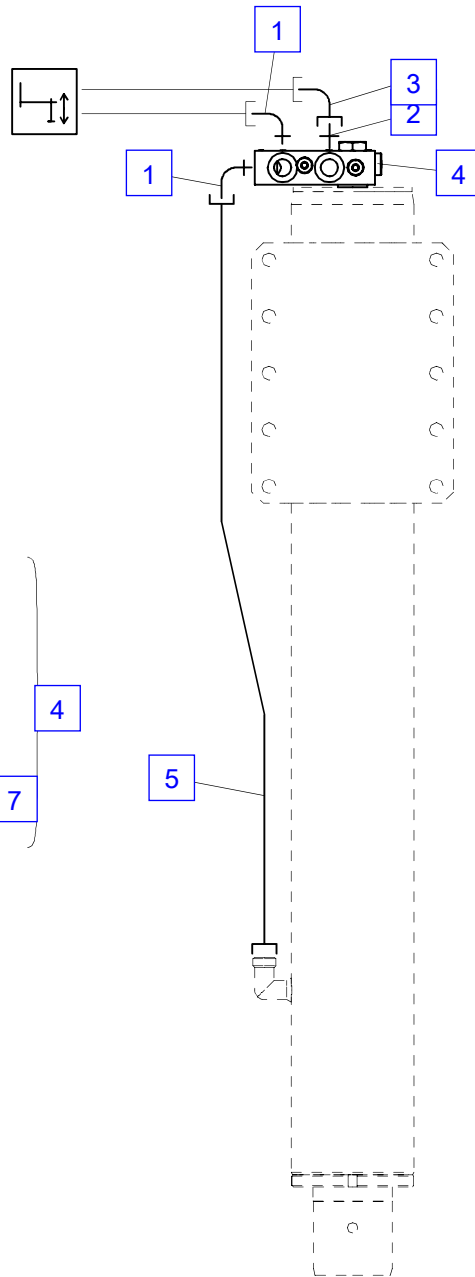
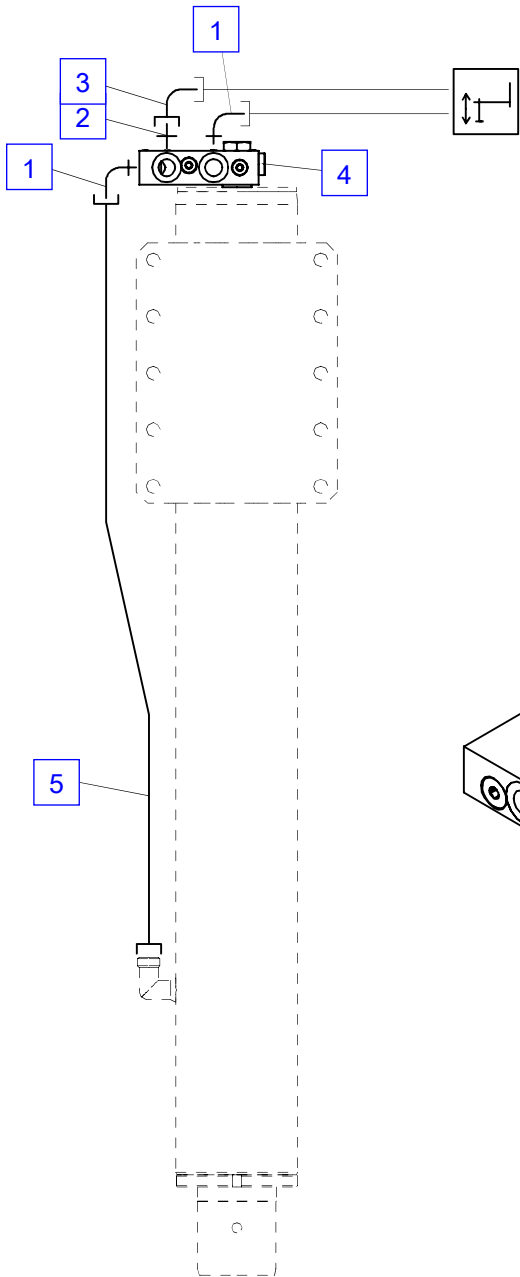
*Les pieds de bequille ne font pas partie de la fourniture ils doivent être commandés séparément comme accessoires.*

## Pipes-Support STZS

No.	Spare part	Qty.	Description	Dimension
1	EA1749	4	Adaptor	WEE 12S 3/8"
2	EA 039	2	Fitting	GE 12S R3/8"-ED
3	EA 280	2	Angle fitting	EW 12 S
4	EV4109A	2	Check valve	
	TD 264	0	Seal kit	
5	HLR 8509	2	Pipe (for UP1489)	D 12
5	HLR10082	2	Pipe (for UP598A)	D 12
5	HLR12386	2	Pipe (for UP1899)	D 12
6	EA5792	1	Banjo bolt	
7	ED 620	1	Sealing ring	KD 3/8"

**B-Seite**  
Side-B  
Cote-B

**A-Seite**  
Side-A  
Cote-A

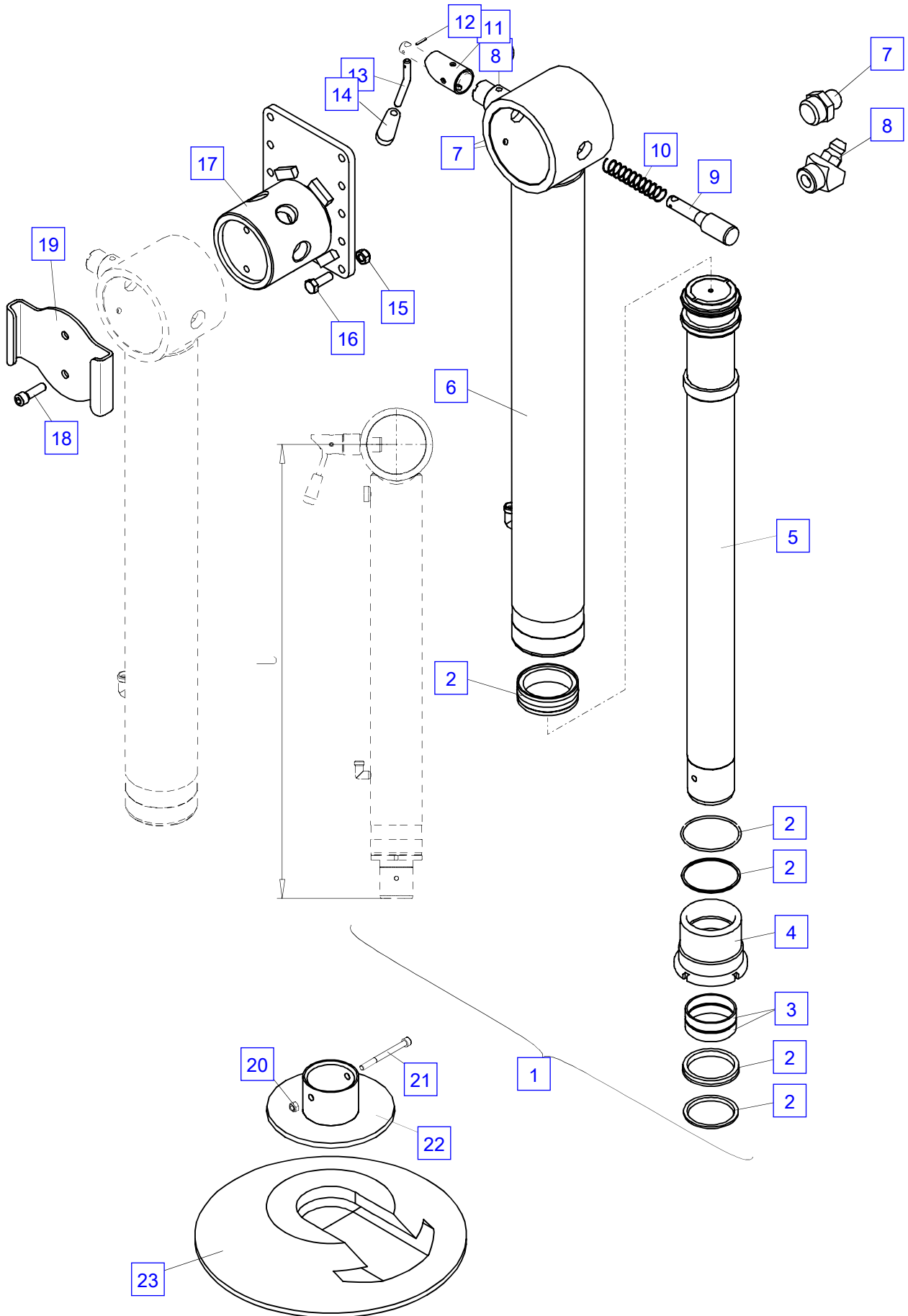


**Abstützylinder**  
Stabilizer ram  
Stabilisateur

**Abstützylinder**  
Stabilizer ram  
Stabilisateur

Stabilizer ram-STZY

No.	Spare part	Qty.	Description	Dimension
1	UP1511	1	Stabilizer ram (Type old)	l=954 mm
1	UP1902	1	Stabilizer ram (Type new)	l=1004 mm
2	TD 596	1	Seal kit (+4)	
3	EG 051	2	Guide ring	75x70x15
4	HV 371	1	Cylinder nut	M095x2.0 d070xL090
5	HSK 084A	1	Piston rod (for UP1511)	
5	HSK1492	1	Piston rod (for UP1902)	
6	HY1387	1	Cylinder tube (for UP1511)	
6	HY1656	1	Cylinder tube (for UP1902)	
7	EA 005	2	Grease nipple	M10x1 DIN71412
8	EA 558	1	Grease nipple	M 10x1 DIN71412
9	HI2738	1	Pin	
10	EF 061	1	Pressure spring	D 24.2.5x60
11	HX 463	1	Bushing	
12	EQ 299	1	Adapter sleeve	D 4x18 DIN 1481
13	HA6490	1	Pin	D010.0xL0095.0
14	EZ 253	1	Handle	
15	EM 158M	10	Nut	M 12 DIN 980
16	ES 022	10	Screw	M 12x35 DIN 933
17	HXE1711	1	Stabilizer support	
18	ES1181	2	Screw	M12x40 ISO4762- 8.8
19	HA6446	1	Stirrup	
20	EM 026	1	Nut	M 8 DIN 985
21	ES1161	1	Screw	M 8x100 ISO4762- 8.8
22	HD 008	1	Stabilizer plates	STT="Std"
22	HD 048	1	Stabilizer extension	STT="100"
22	HD 063	1	Stabilizer extension	STT="190"
23	EZ 872	1	Stabilizer plates	D 400



**Stützteller nicht im Lieferumfang enthalten, diese müssen als Zubehör gesondert bestellt werden.**

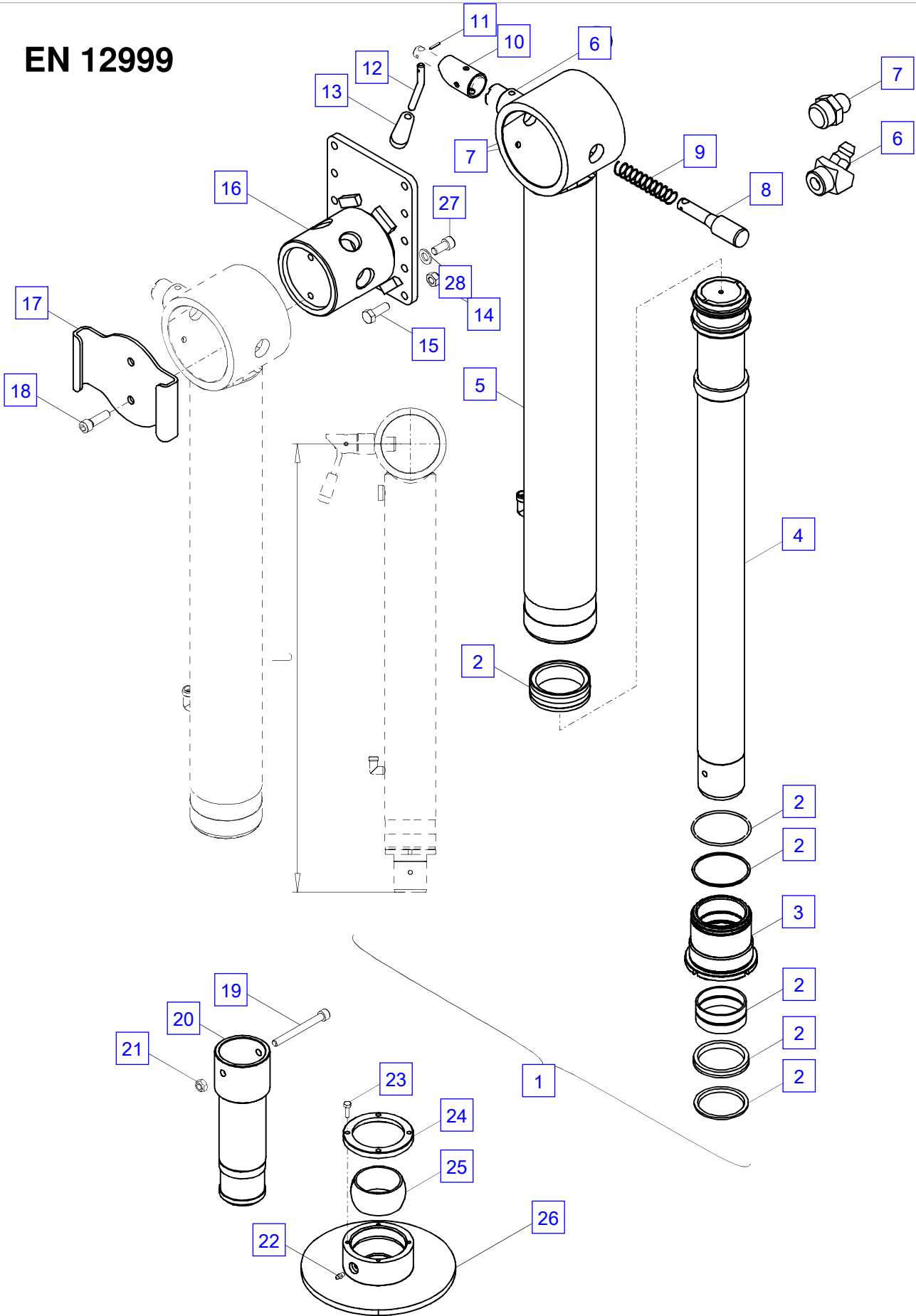
*The support plates are not included in the delivery, they must be ordered separately as accessories.*

*Les pieds de bequille ne font pas partie de la fourniture ils doivent être commandés séparément comme accessoires.*

Stabilizer ram-STZY

No.	Spare part	Qty.	Description	Dimension
1	UP1902A	1	Stabilizer ram	l=981 mm
2	TD 596A	1	Seal kit	
3	HV 371A	1	Cylinder nut	
4	HSK1492A	1	Piston rod	
5	HY1656A	1	Cylinder tube	
6	EA 558	1	Grease nipple	M 10x1 DIN71412
7	EA 005	2	Grease nipple	M10x1 DIN71412
8	HI2738	1	Pin	
9	EF 061	1	Pressure spring	D 24.2.5x60
10	HX 463	1	Bushing	
11	EQ 299	1	Adapter sleeve	D 4x18 DIN 1481
12	HA6490	1	Pin	D010.0xL0095.0
13	EZ 253	1	Handle	
14	EM 158M	10	Nut	M 12 DIN 980
15	ES 022	10	Screw	M 12x35 DIN 933
16	HXE1711A	1	Stabilizer support	
17	HA6446	1	Stirrup	
18	ES1181	2	Screw	M12x40 ISO4762- 8.8
19	ES1447	1	Screw	M 10x100 DIN912
20	HXE3230	1	Stabilizer extension	STT="200"
20	HXE9162	1	Stabilizer extension	STT="100"
21	EM 021	1	Nut	DIN 985 M10 CL8 ZB
22	EA 412	1	Grease nipple	M 6x1 H1 71412
23	ES 344	4	Screw	M6x20 DIN 933
24	HBS3279	1	Cover	D105.0xd077.8xL010.0
25	HBS3280	1	Bearing bush	d066xD082xL040
26	HXE3179	1	Stabilizer plates	
27	ES 041	10	Screw	M 12x25 ISO4762-10.9
28	EK 207	10	Washer	D 13 ISO7089

**EN 12999**



**Stützteller nicht im Lieferumfang enthalten, diese müssen als Zubehör gesondert bestellt werden.**  
*The support plates are not included in the delivery, they must be ordered separately as accessories.*  
*Les pieds de beuille ne font pas partie de la fourniture ils doivent être commandés séparément comme accessoires.*

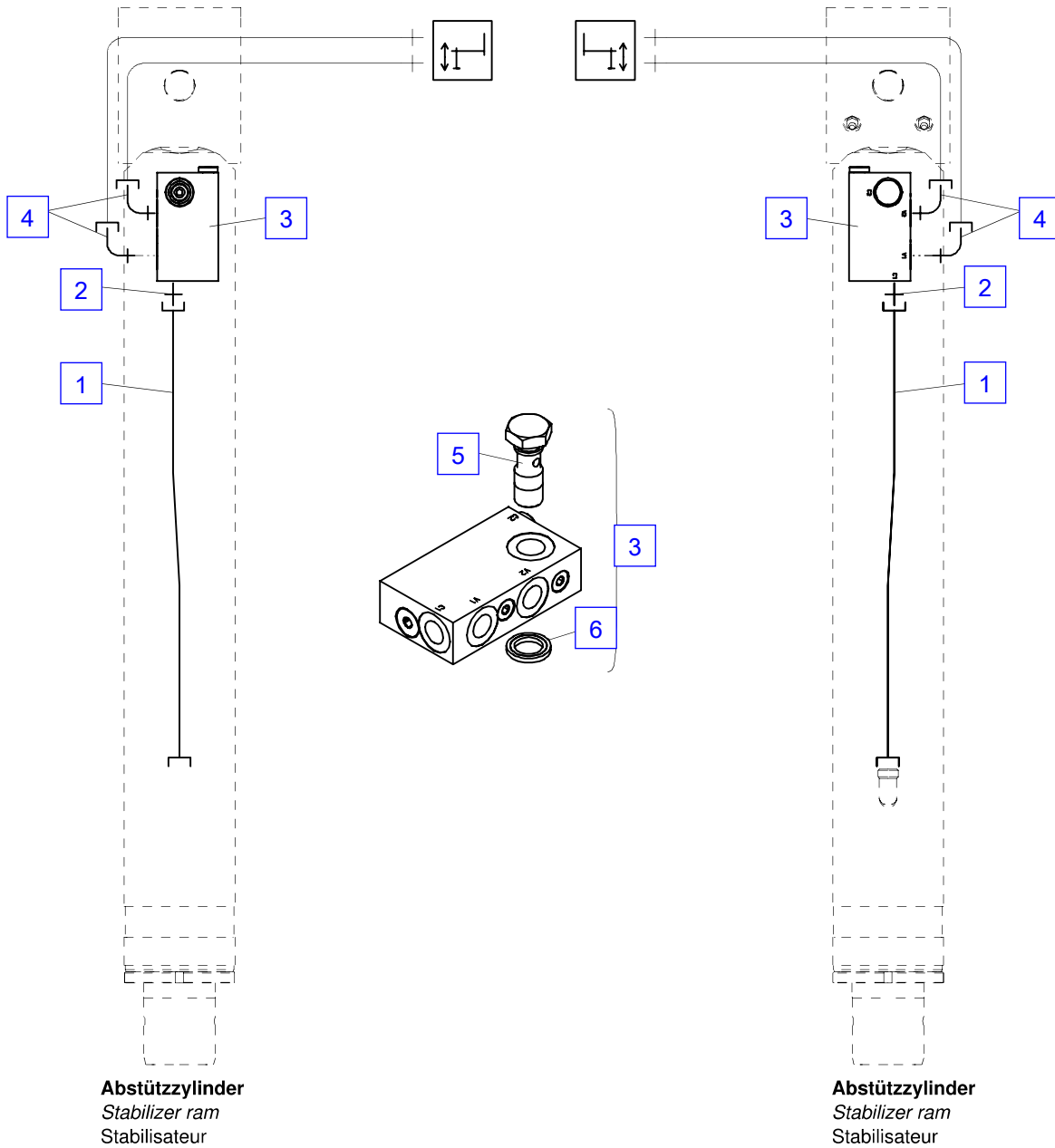
## Pipes-Support STZY

No.	Spare part	Qty.	Description	Dimension
1	HLR 8510	2	Pipe (for UP1511)	D 12
1	HLR12391	2	Pipe (for UP1902)	D 12
2	EA 039	2	Fitting	GE 12S R3/8"-ED
3	EV4109A	2	Check valve	
	TD 264	0	Seal kit	
4	EA1749	4	Adaptor	WEE 12S 3/8"
5	EA5792	1	Banjo bolt	
6	ED 620	1	Sealing ring	KD 3/8"



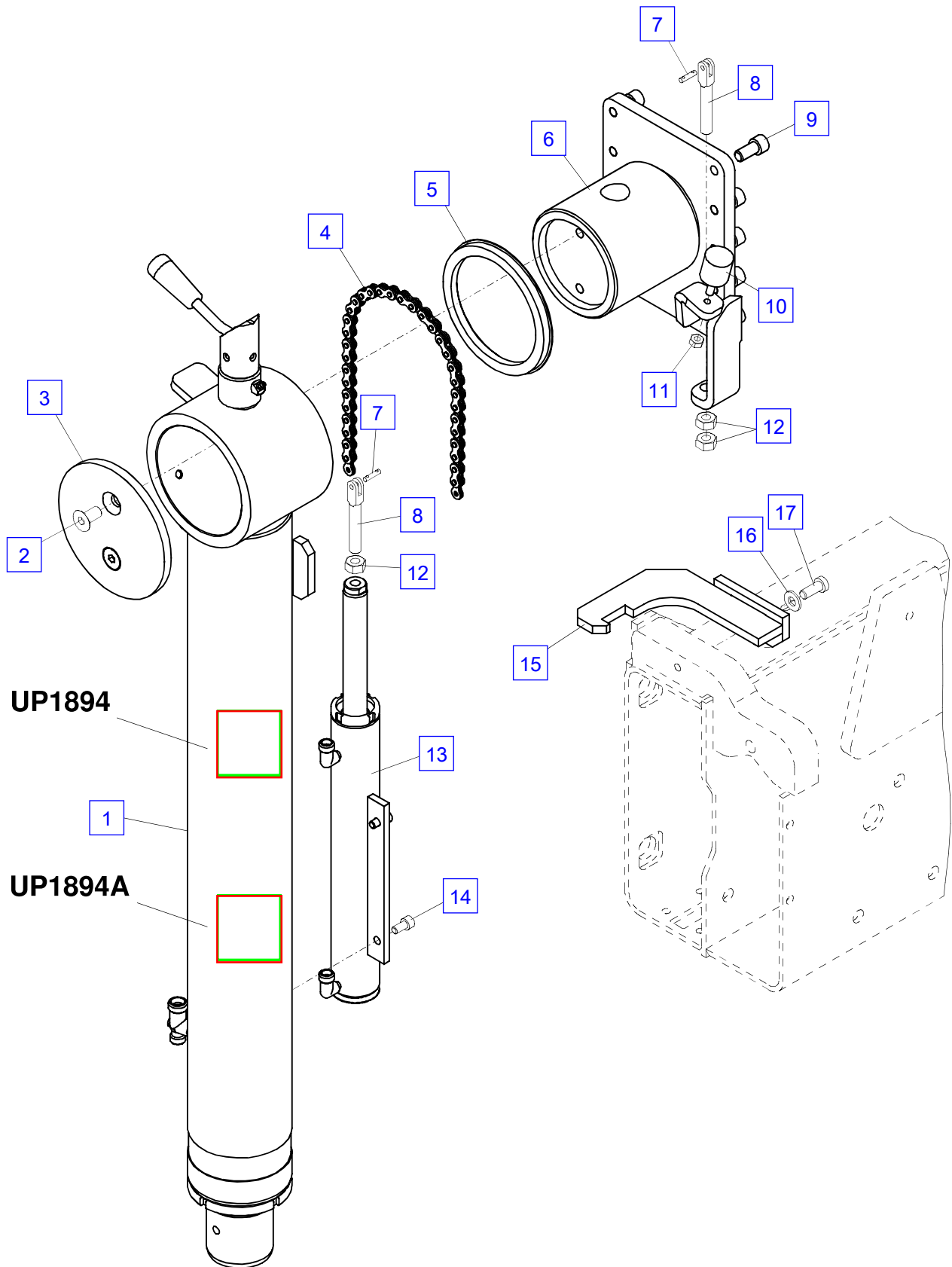
**B-Seite**  
*Side-B*  
*Cote-B*

**A-Seite**  
*Side-A*  
*Cote-A*



Stabilizer ram-STZY

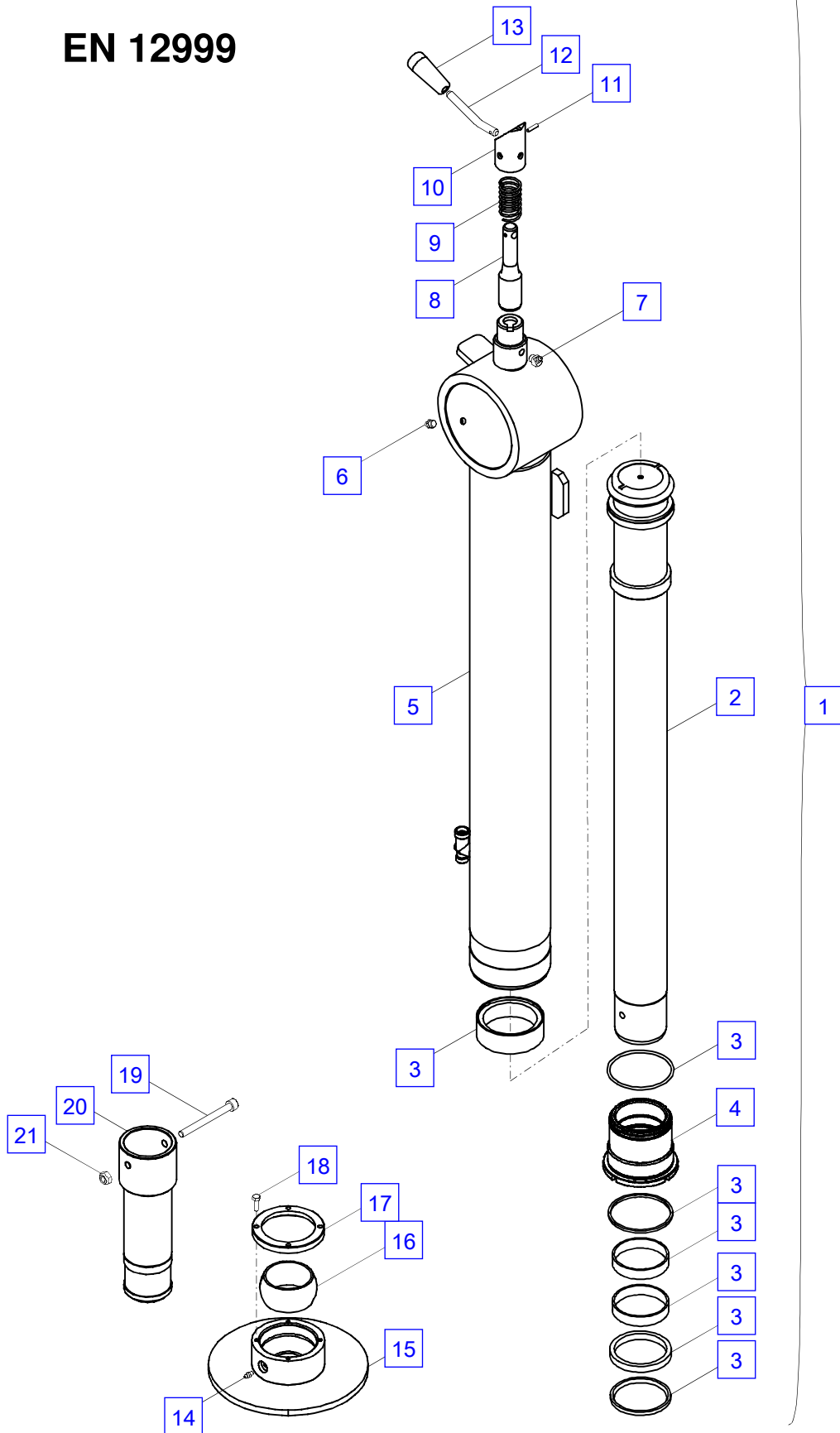
No.	Spare part	Qty.	Description	Dimension
1	UP1894	1	Stabilizer ram see page 010.2100	
1	UP1894A	1	Stabilizer ram see page 010.2110	
2	ES 240	2	Screw	M 12x25 ISO14581-8.8
3	HD 989	1	Cover	D0155.0xS010.0
4	EZ2160	1	Chain	
5	HBS3039	1	Guide ring	L0010.5 D0152 D0124
6	HXE2568	1	Stabilizer support	
7	EK1182	2	Pin	
8	HIG 768	2	Threaded pin	
9	ES 041	10	Screw	M 12x25 ISO4762-10.9
10	EK1064	1	Stop buffer	30x30 mm
11	EM 003	1	Nut	M 8 DIN 934-8
12	EM 005	3	Nut	M 12 DIN 934
13	UP1832A	1	Lifting cylinder see page 010.2110	
14	ES 264	2	Screw	M8x16 ISO4762- 8.8
15	HXE2701	1	Bracket	
16	EK 202	1	Washer	D 10,5 DIN 134
17	ES 587	1	Screw	M 10x25 DIN7984



Stabilizer ram-STZY

No.	Spare part	Qty.	Description	Dimension
1	UP1894A	1	Stabilizer ram	
2	HSK1492A	1	Piston rod	
3	TD 596A	1	Seal kit	
4	HV 371A	1	Cylinder nut	
5	HY1650A	1	Cylinder tube	
6	EA 005	2	Grease nipple	M10x1 DIN71412
7	EA 558	1	Grease nipple	M 10x1 DIN71412
8	HI2738	1	Pin	
9	EF 061	1	Pressure spring	D 24.2.5x60
10	HX 463	1	Bushing	
11	EQ 299	1	Adapter sleeve	D 4x18 DIN 1481
12	HA6490	1	Pin	D010.0xL0095.0
13	EZ 253	1	Handle	
14	EA 412	1	Grease nipple	M 6x1 H1 71412
15	HXE3179	1	Stabilizer plates	
16	HBS3280	1	Bearing bush	d066xD082xL040
17	HBS3279	1	Cover	D105.0xd077.8xL010.0
18	ES 344	4	Screw	M6x20 DIN 933
19	ES1447	1	Screw	M 10x100 DIN912
20	HXE3230	1	Stabilizer extension	STT="200"
20	HXE9162	1	Stabilizer extension	STT="100"
21	EM 021	1	Nut	DIN 985 M10 CL8 ZB

**EN 12999**



**Stützteller nicht im Lieferumfang enthalten, diese müssen als Zubehör gesondert bestellt werden.**

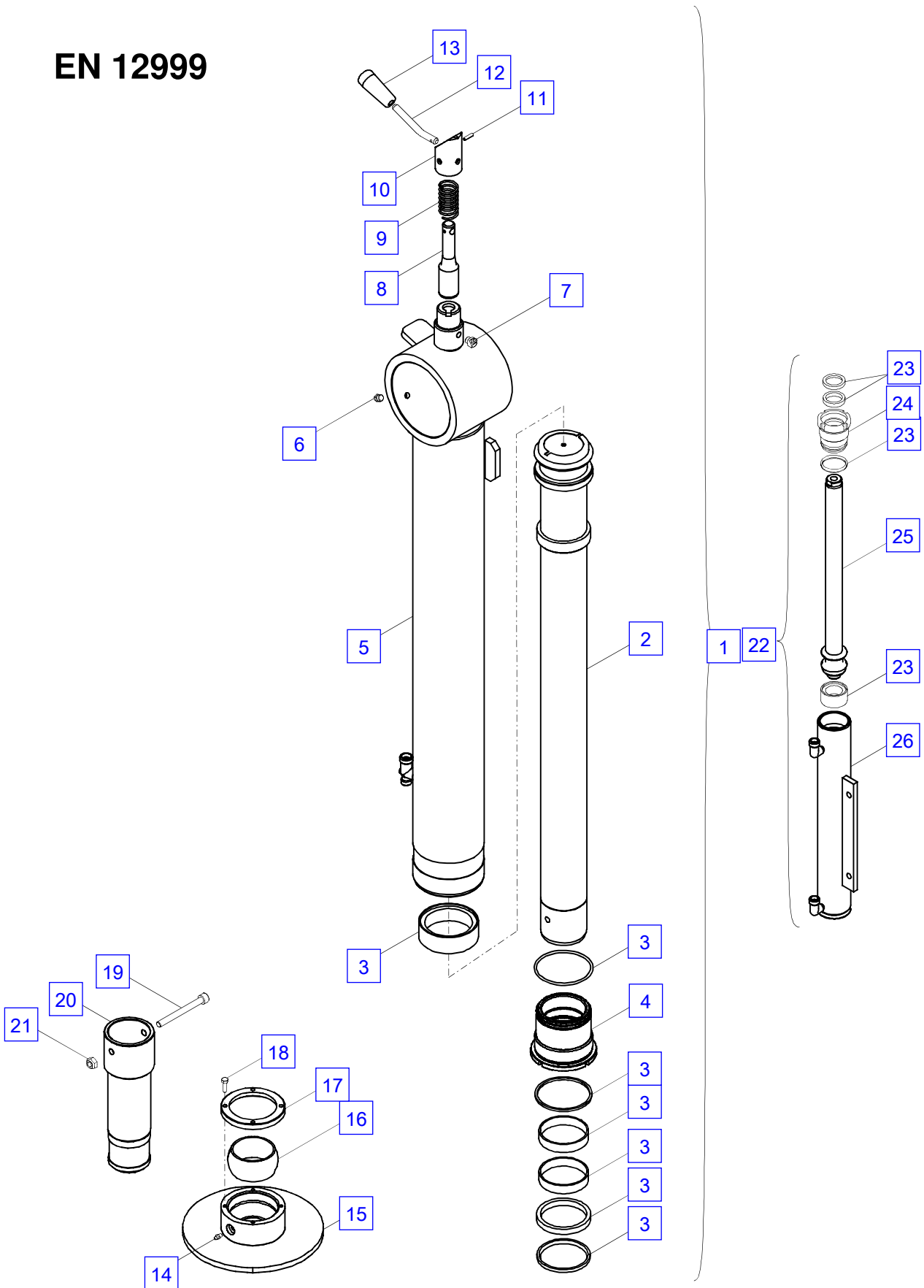
*The support plates are not included in the delivery, they must be ordered separately as accessories.*

*Les pieds de bequille ne font pas partie de la fourniture ils doivent être commandés séparément comme accessoires.*

Stabilizer ram-STZY

No.	Spare part	Qty.	Description	Dimension
1	UP1894A	1	Stabilizer ram	
2	HSK1492A	1	Piston rod	
3	TD 596A	1	Seal kit	
4	HV 371A	1	Cylinder nut	
5	HY1650A	1	Cylinder tube	
6	EA 005	2	Grease nipple	M10x1 DIN71412
7	EA 558	1	Grease nipple	M 10x1 DIN71412
8	HI2738	1	Pin	
9	EF 061	1	Pressure spring	D 24.2.5x60
10	HX 463	1	Bushing	
11	EQ 299	1	Adapter sleeve	D 4x18 DIN 1481
12	HA6490	1	Pin	D010.0xL0095.0
13	EZ 253	1	Handle	
14	EA 412	1	Grease nipple	M 6x1 H1 71412
15	HXE3179	1	Stabilizer plates	
16	HBS3280	1	Bearing bush	d066xD082xL040
17	HBS3279	1	Cover	D105.0xd077.8xL010.0
18	ES 344	4	Screw	M6x20 DIN 933
19	ES1447	1	Screw	M 10x100 DIN912
20	HXE3230	1	Stabilizer extension	STT="200"
20	HXE9162	1	Stabilizer extension	STT="100"
21	EM 021	1	Nut	DIN 985 M10 CL8 ZB
22	UP1832A	1	Lifting cylinder	
23	TD 526	1	Seal kit	
24	HV 437	1	Cylinder nut	
25	HSK1433	1	Piston rod	
26	HY1591A	1	Cylinder tube	

**EN 12999**

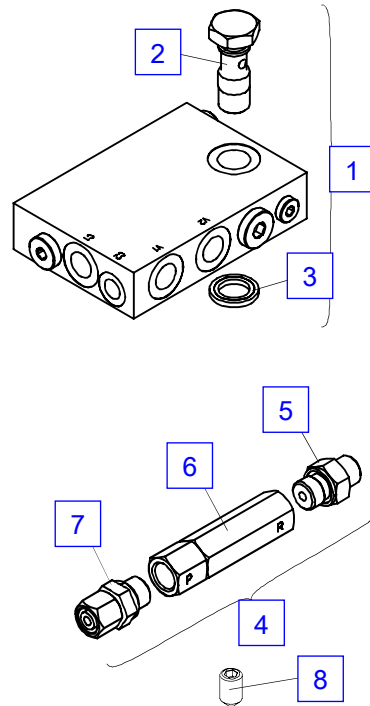
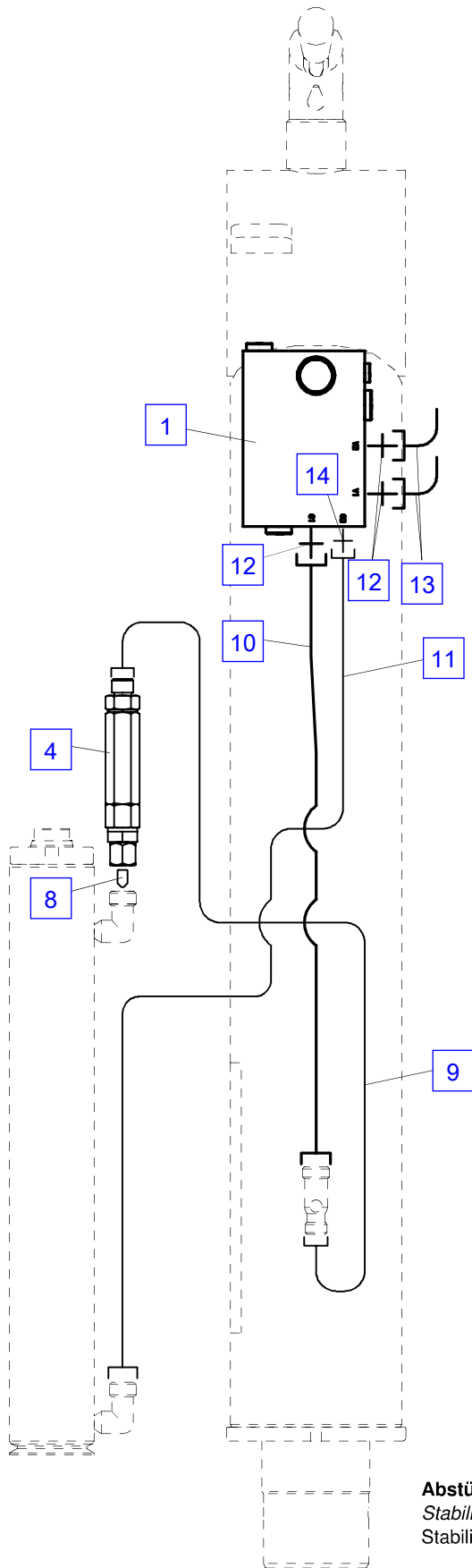


**Stützteller nicht im Lieferumfang enthalten, diese müssen als Zubehör gesondert bestellt werden.**  
*The support plates are not included in the delivery, they must be ordered separately as accessories.*  
 Les pieds de bequille ne font pas partie de la fourniture ils doivent être commandés séparément comme accessoires.

Pipes-Support STZY

No.	Spare part	Qty.	Description	Dimension
1	EV4673	2	Check valve, cpl.	
	TD 848	1	Seal kit	
2	EA1449	1	Banjo bolt	
3	ED 620	1	Sealing ring	KD 3/8"
4	UV305	1	Pretension valve, cpl.	40 bar
5	EA1052	1	Fitting	GE 8 S R3/8"
6	EV1268/040	1	Pretension valve	40 bar
7	EA1236	1	Fitting	evGE 8 S 3/8-ed
8	HLA2046	1	Restrictor	D 0.8 mm
9	HLR12390	1	Pipe	D 8
10	HLR12388	1	Pipe	D 12
11	HLR12389	1	Pipe	D 8
12	EA 039	3	Fitting	GE 12S R3/8"-ED
13	EA 280	2	Angle fitting	EW 12 S
14	EA 089	1	Fitting	GE 08S R1/4"-ED

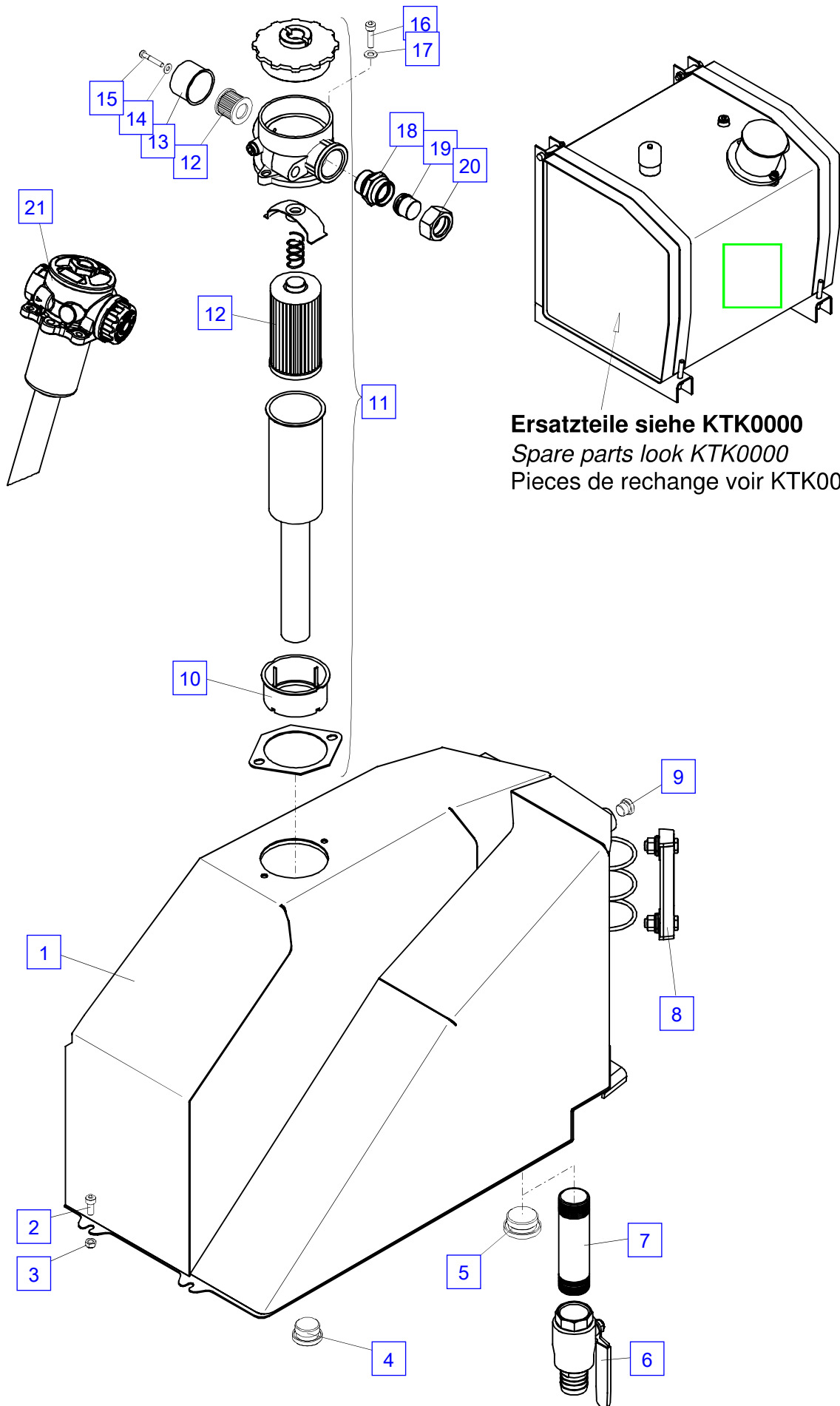




**Abstützylinder**  
Stabilizer ram  
Stabilisateur

Oil tank

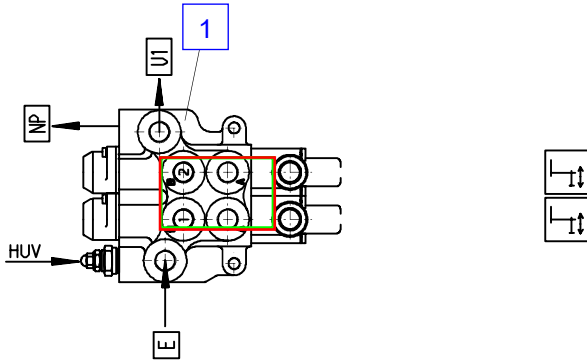
No.	Spare part	Qty.	Description	Dimension
	UT085	1	Oil tank, cpl.	
1	UT085-01	1	Oil tank	80l
2	ES 265	2	Screw	M 8x20 ISO4762- 8.8
3	EM 026	2	Nut	M 8 DIN 985
4	EA 369	1	Locking screw	VSTI R 1/1"
5	EA1207	1	Locking screw	VSTI R 5/4"-ED
6	EA1512	1	Shut-off cock	G 1 1/4"
7	EA 163	1	Double nipple	R 1 1/4"
8	EA 027	1	Oil gauge	
9	EA 442	1	Locking screw	VSTI R3/8"
10	EA1688	1	Sleeve	
11	EA1411	1	Return filter, cpl. (+12)	80 l/min
	TD 519	1	Seal kit	
12	EA1412	1	Filter element	80 l/min
	BZ204S	0	Filter element, cpl. (page 100.0200)	
13	EZ1308	1	Cap + filter	
14	EK 043	1	Washer	D 6.4 DIN 134
15	ES 080	1	Screw	M 6x35 DIN 6912
16	ES 011	2	Screw	M 8x30 ISO4762-10.9
17	EK 003	2	Washer	D 8.4 ISO7089
18	EA 053	1	Fitting	GE 28 L R1/1"
19	EA 347	1	Blind plug	VKA 28
20	EA 227	1	Nut	M 28 L
21	EA1411A	1	Return filter, cpl.	80 l/min
	EA1528	0	Filter cover	
	EZ6006	0	Cap + filter	
	EA5811	0	Filter element	80 l/min
	TD1776	0	Seal kit	



Control valve-stabil.

No.	Spare part	Qty.	Description	Dimension
1	EV4410	1	Control valve cpl.(2-sections) without EA...,HH...	VDM07
	EA 039	0	Fitting	GE 12S R3/8"-ED
	EA 746	0	Locking screw	vsti M 18x1.5
	EA 769	0	Fitting	GE 16 SR 3/8"-ED
	HLA 376	0	Fitting	GE 18L R3/8"-ED
2	EV4411	1	Control valve cpl.(4-sections) without EA...,HH...	VDM07
	EA 039	0	Fitting	GE 12S R3/8"-ED
	EA 746	0	Locking screw	vsti M 18x1.5
	EA 769	0	Fitting	GE 16 SR 3/8"-ED
	HLA 376	0	Fitting	GE 18L R3/8"-ED

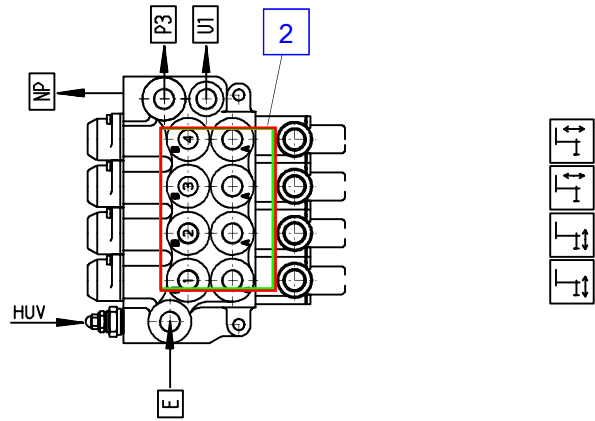
**VDM07 (—>07/2009)  
R1,R2  
RSQ 240 RC**



**Ersatzteile siehe KSC0000**  
Spare parts look KSC0000  
Pieces de rechange voir KSC0000

**R1(RSQ 240 RC)**

**R2X,R3X  
RSQ 240 RC**



**Ersatzteile siehe KSC0000**  
Spare parts look KSC0000  
Pieces de rechange voir KSC0000

**R2X,R3X(RSQ 240 RC)**

		/ EV-4410									
		Ventil Valve Soupape	Druck/bar Pressure/bar Pression/bar	Verschraubung Adaptor Raccord	Drossel Restrictor Etranglement	Hebel Leve Levier	Element Element Element				
HUV	E	EV-990	160								
P	E			EA-039							
	U1			HLA-376							
	NP			EA-746							
1	A	----	---	EA-039	-						
	B	----	---	EA-039	-						
2	A	----	---	EA-039	-						
	B	----	---	EA-039	-						

		/ EV-4411									
		Ventil Valve Soupape	Druck/bar Pressure/bar Pression/bar	Verschraubung Adaptor Raccord	Drossel Restrictor Etranglement	Hebel Leve Levier	Element Element Element				
HUV	E	EV-990	160								
P	E			EA-039							
	P3			EA-746							
	U1			HLA-376							
1	A	----	---	EA-039	-						
	B	----	---	EA-039	-						
2	A	----	---	EA-039	-						
	B	----	---	EA-039	-						
3	A	----	---	EA-039	-						
	B	----	---	EA-039	-						
4	A	----	---	EA-039	-						
	B	----	---	EA-039	-						

**R1,R2**

**R2X,R3X**

		/ EV-4410									
		Ventil Valve Soupape	Druck/bar Pressure/bar Pression/bar	Verschraubung Adaptor Raccord	Drossel Restrictor Etranglement	Hebel Leve Levier	Element Element Element				
HUV	E	EV-990	160								
P	E			EA-769							
	U1			HLA-376							
	NP			EA-746							
1	A	----	---	EA-039	-						
	B	----	---	EA-039	-						
2	A	----	---	EA-039	-						
	B	----	---	EA-039	-						

		/ EV-4411									
		Ventil Valve Soupape	Druck/bar Pressure/bar Pression/bar	Verschraubung Adaptor Raccord	Drossel Restrictor Etranglement	Hebel Leve Levier	Element Element Element				
HUV	E	EV-990	160								
P	E			EA-769							
	P3			EA-746							
	U1			HLA-376							
1	A	----	---	EA-039	-						
	B	----	---	EA-039	-						
2	A	----	---	EA-039	-						
	B	----	---	EA-039	-						
3	A	----	---	EA-039	-						
	B	----	---	EA-039	-						
4	A	----	---	EA-039	-						
	B	----	---	EA-039	-						

**Steuerventil** Control valve Distributeur de commande

KSC = mit Verschraubungen und Ventilen  
KSC = with adaptors and valves  
KSC = avec raccords et soupapes

HUV = Hauptüberdruckventil  
HUV = Main relief valve  
HUV = Soupape de surpression principal

O = mit Überlastsicherung  
O = with overload protection  
O = avec soupape de surcharge

F = ferngesteuert  
F = remote controlled  
F = télécommand

EV = KSC ohne Verschraubungen und Ventilen  
EV = KSC without adaptors and valves  
EV = KSC sans raccords et soupapes

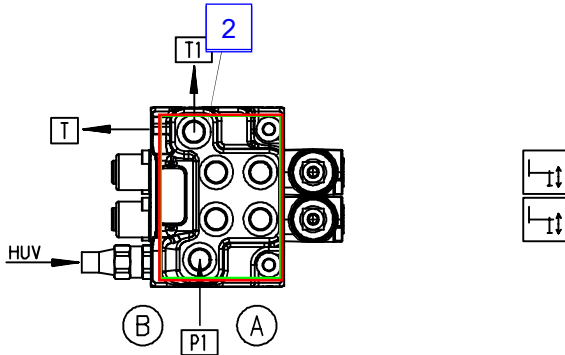
P,T = Versorgungsanschlüsse  
P,T = Supply connections  
P,T = Raccords de alimentation

x = offene Nullstellung - Schieberstange muß gesondert bestellt werden  
x = neutral position open - Spool must be ordered separately  
x = position neutral ouvert - on doit ordre le tiroir de distributeur separe

Control valve-stabil.

No.	Spare part	Qty.	Description	Dimension
2	EV4411B	1	Control valve cpl.(4-sections) without EA...,HH...	DN46
	EA 039	0	Fitting	GE 12S R3/8"-ED
	EA 442	0	Locking screw	VSTI R3/8"
	EA 769	0	Fitting	GE 16 SR 3/8"-ED
	HLA 376	0	Fitting	GE 18L R3/8"-ED
2	EV4410B	1	Control valve cpl.(2-sections) without EA...,HH...	
	EA 039	0	Fitting	GE 12S R3/8"-ED
	EA 442	0	Locking screw	VSTI R3/8"
	EA 769	0	Fitting	GE 16 SR 3/8"-ED
	HLA 376	0	Fitting	GE 18L R3/8"-ED

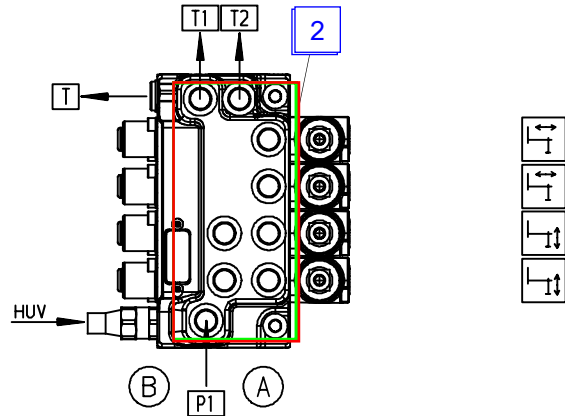
**DINOIL (08/2009—>)**  
**R1,R2**  
**RSQ 240 RC**



**Ersatzteile siehe KSC0000**  
*Spare parts look KSC0000*  
 Pieces de rechange voir KSC0000

**R1(RSQ 240 RC)**

**R2X,R3X**  
**RSQ 240 RC**



**Ersatzteile siehe KSC0000**  
*Spare parts look KSC0000*  
 Pieces de rechange voir KSC0000

**R2X,R3X(RSQ 240 RC)**

		/ EV4410B									
		Ventil Valve Soupape	Druck/bar Pressure/bar Pression/bar	Verschraubung Adaptor Raccord	Drossel Restrictor Etranglement	Hebel Leve Levier	Element Element Element				
HUV		EV-6234	160								
P	P1			EA-039							
T	T1			HLA-376							
	T			EA-442							
1	A	-----	---	EA-039	-						
	B	-----	---	EA-039	-						
2	A	-----	---	EA-039	-						
	B	-----	---	EA-039	-						

		/ EV-4411B									
		Ventil Valve Soupape	Druck/bar Pressure/bar Pression/bar	Verschraubung Adaptor Raccord	Drossel Restrictor Etranglement	Hebel Leve Levier	Element Element Element				
HUV		EV-6234	160								
P	P1			EA-039							
T	T1			EA-442							
	T2			HLA-376							
	T			EA-442							
1	A	-----	---	EA-039	-						
	B	-----	---	EA-039	-						
2	A	-----	---	EA-039	-						
	B	-----	---	EA-039	-						
3	A	-----	---	EA-039	-						
	B	-----	---	EA-039	-						
4	A	-----	---	EA-039	-						
	B	-----	---	EA-039	-						

**R1,R2**

**R2X,R3X**

		/ EV4410B									
		Ventil Valve Soupape	Druck/bar Pressure/bar Pression/bar	Verschraubung Adaptor Raccord	Drossel Restrictor Etranglement	Hebel Leve Levier	Element Element Element				
HUV		EV-6234	160								
P	P1			EA-769							
T	T1			HLA-376							
	T			EA-442							
1	A	-----	---	EA-039	-						
	B	-----	---	EA-039	-						
2	A	-----	---	EA-039	-						
	B	-----	---	EA-039	-						

		/ EV-4411B									
		Ventil Valve Soupape	Druck/bar Pressure/bar Pression/bar	Verschraubung Adaptor Raccord	Drossel Restrictor Etranglement	Hebel Leve Levier	Element Element Element				
HUV		EV-6234	160								
P	P1			EA-769							
T	T1			EA-442							
	T2			HLA-376							
	T			EA-442							
1	A	-----	---	EA-039	-						
	B	-----	---	EA-039	-						
2	A	-----	---	EA-039	-						
	B	-----	---	EA-039	-						
3	A	-----	---	EA-039	-						
	B	-----	---	EA-039	-						
4	A	-----	---	EA-039	-						
	B	-----	---	EA-039	-						

**Steuerventil** Control valve Distributeur de commande

KSC = mit Verschraubungen und Ventilen  
 KSC = with adaptors and valves  
 KSC = avec raccords et soupapes

HUV = Hauptüberdruckventil  
 HUV = Main relief valve  
 HUV = Soupape de surpression principal

O = mit Überlastsicherung  
 O = with overload protection  
 O = avec soupape de surcharge

F = ferngesteuert  
 F = remote controlled  
 F = télécommand

EV = KSC ohne Verschraubungen und Ventilen  
 EV = KSC without adaptors and valves  
 EV = KSC sans raccords et soupapes

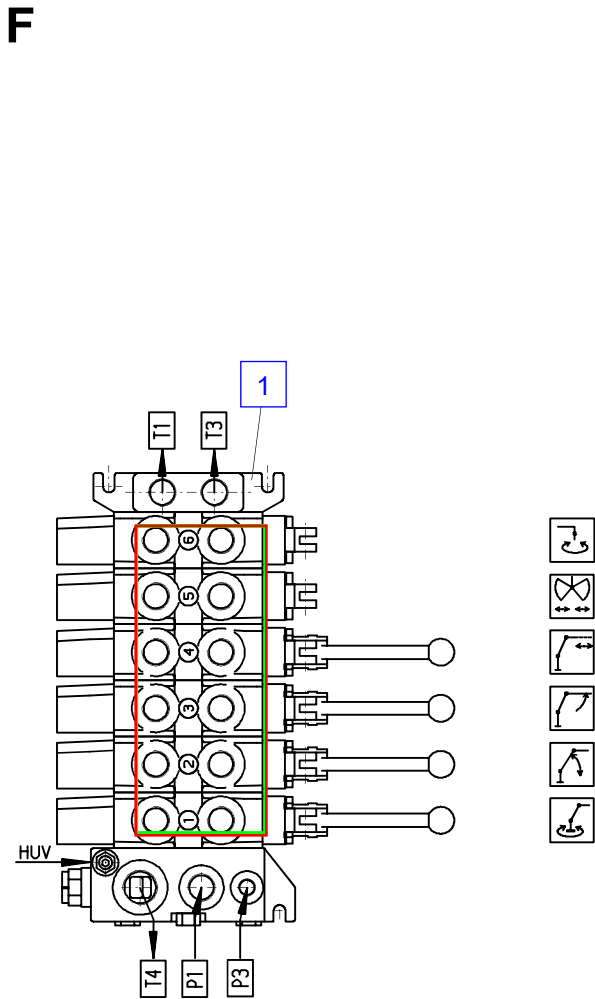
P,T = Versorgungsanschlüsse  
 P,T = Supply connections  
 P,T = Raccords de alimentation

x = offene Nullstellung - Schieberstange muß gesondert bestellt werden  
 x = neutral position open - Spool must be ordered separately  
 x = position neutral ouvert - on doit ordre le tiroir de distributeur separe

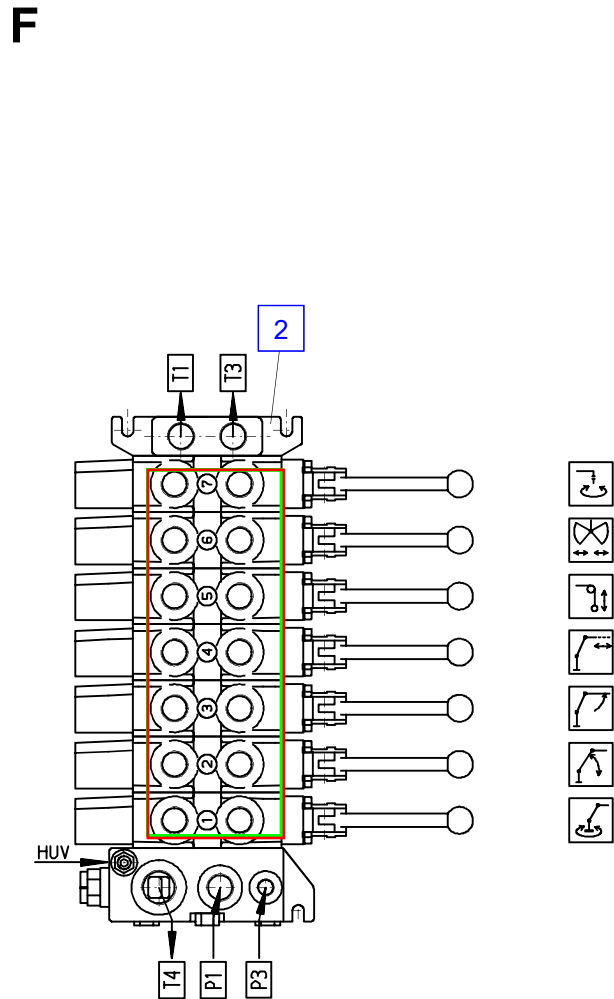
Control valve-F

No.	Spare part	Qty.	Description	Dimension
1	EV5628	1	Control valve (6-sections)	
	EA 074	0	Fitting	GE 16S R1/2"-ED
	EA 240	0	Fitting	GE 18 L R1/2"
	EA 261	0	Locking screw	VSTI R1/2"
	EA 328	0	Fitting	GE 22 L 3/4"
	EA1017	0	Fitting	GE 20S R1/2"-ED
	EA1646	0	Fitting	GE 12K R1/2" ED
	EA1645	1	Circlip	WEO 1/2"
	EA2266	0	Fitting	GR 28L - 22L
2	EV5629	1	Control valve (7-sections)	
	EA 074	0	Fitting	GE 16S R1/2"-ED
	EA 240	0	Fitting	GE 18 L R1/2"
	EA 328	0	Fitting	GE 22 L 3/4"
	EA1017	0	Fitting	GE 20S R1/2"-ED
	EA1646	0	Fitting	GE 12K R1/2" ED
	EA1645	1	Circlip	WEO 1/2"
	EA2266	0	Fitting	GR 28L - 22L





**Ersatzteile siehe KSC0000**  
 Spare parts look KSC0000  
 Pieces de rechange voir KSC0000



**Ersatzteile siehe KSC0000**  
 Spare parts look KSC0000  
 Pieces de rechange voir KSC0000

/ EV-5628							/ EV-5629							
	Ventil Valve Soupape	Druck/bar Pressure/bar Pression/bar	Verschraubung Adaptor Raccord	Drossel Restrictor Etranglement	Hebel Leve Lever	Element Element Element		Ventil Valve Soupape	Druck/bar Pressure/bar Pression/bar	Verschraubung Adaptor Raccord	Drossel Restrictor Etranglement	Hebel Leve Lever	Element Element Element	
HUV	EV-2718						HUV	EV-2718						
P	P1		EA-1017				P	P1		EA-1017				
	P3		EA-716					P3		EA-716				
T	T1		EA-074				T	T1		EA-074				
	T3		EA-240					T3		EA-240				
	T4		EA-328, EA-2266					T4		EA-328, EA-2266				
1	A EV-043	160	EA-590	HD-073			1	A EV-043	160	EA-590	HD-073			
	B EV-043	160	EA-590	HD-073				B EV-043	160	EA-590	HD-073			
2	A EV-044	330	EA-1646	-	0	HH-411	EV-5664	A EV-044	330	EA-1646	-	0	HH-411	EV-5664
	B EV-044	120	EA-1646	-			EV-5033		B EV-044	120	EA-1646	-		EV-5033
3	A EV-049	---	EA-1646	-		HH-411	EV-5666	A EV-049	---	EA-1646	-		HH-411	EV-5666
	B EV-044	175	EA-1646	-					B EV-044	175	EA-1646	-		
4	A -----	---	EA-1646	-		HH-411	EV-5667	A -----	---	EA-1646	-		HH-411	EV-5667
	B -----	---	EA-1646	-					B -----	---	EA-1646	-		
5	A EV-049	---	EA-261	-		-	EV-5027	A EV-044	100	EA-1646	-		HH-411	EV-5026
	B EV-049	---	EA-261	-					B EV-044	230	EA-1646	-		
6	A EV-049	---	EA-261	-		-	EV-5027	A EV-049	---	EA-1646	-		HH-411	EV-5027
	B EV-049	---	EA-261	-					B EV-049	---	EA-1646	-		
7	A EV-049	---	EA-1646	-				A EV-049	---	EA-1646	-		HH-411	EV-5027
	B EV-049	---	EA-1646	-					B EV-049	---	EA-1646	-		

**Steuerventil**      *Control valve*      *Distributeur de commande*

**KSC = mit Verschraubungen und Ventilen**  
 KSC = with adaptors and valves  
 KSC = avec raccords et soupapes

**HUV = Hauptüberdruckventil**  
 HUV = Main relief valve  
 HUV = Soupape de surpression principal

**O = mit Überlastsicherung**  
 O = with overload protection  
 O = avec soupape de surcharge

**F = ferngesteuert**  
 F = remote controlled  
 F = télécommand

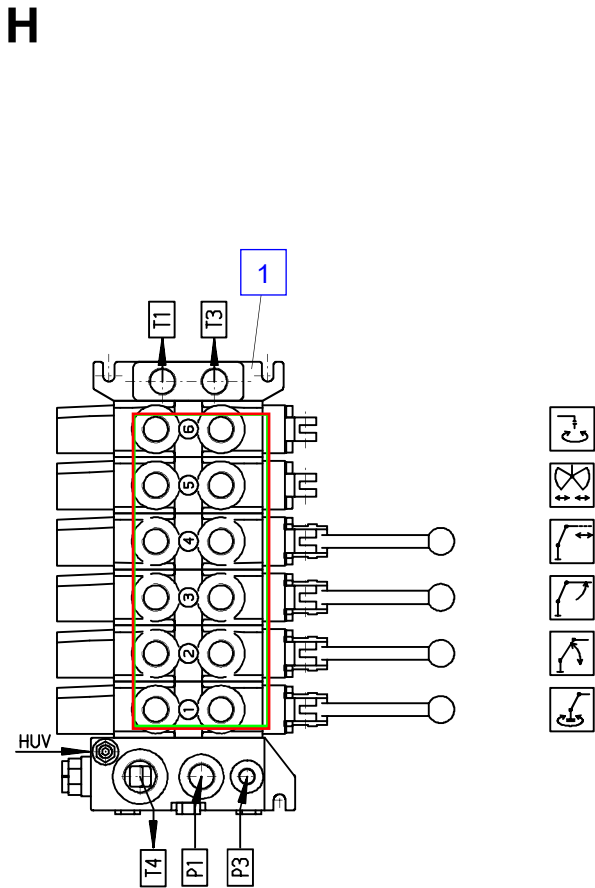
**EV = KSC ohne Verschraubungen und Ventilen**  
 EV = KSC without adaptors and valves  
 EV = KSC sans raccords et soupapes

**P,T = Versorgungsanschlüsse**  
 P,T = Supply connections  
 P,T = Raccords de alimentation

**x = offene Nullstellung - Schieberstange muß gesondert bestellt werden**  
 x = neutral position open - Spool must be ordered separately  
 x = position neutral ouvert - on doit ordre le tiroir de distributeur separe

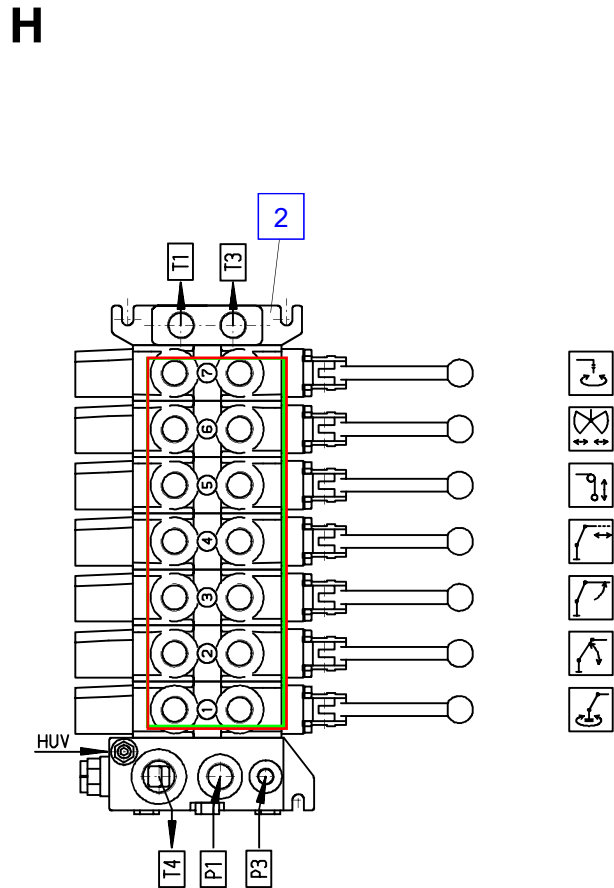
Control valve-H

No.	Spare part	Qty.	Description	Dimension
1	EV5628	1	Control valve (6-sections)	
	EA 074	0	Fitting	GE 16S R1/2"-ED
	EA 183	0	Fitting	GE 12S R1/2"-ED
	EA 261	0	Locking screw	VSTI R1/2"
	EA 330	0	Fitting	GE 22-L 3/4"-ED
	EA1017	0	Fitting	GE 20S R1/2"-ED
	EA1646	0	Fitting	GE 12K R1/2" ED
	EA1645	1	Circlip	WEO 1/2"
2	EV5629	1	Control valve (7-sections)	
	EA 074	0	Fitting	GE 16S R1/2"-ED
	EA 183	0	Fitting	GE 12S R1/2"-ED
	EA 261	0	Locking screw	VSTI R1/2"
	EA 330	0	Fitting	GE 22-L 3/4"-ED
	EA1017	0	Fitting	GE 20S R1/2"-ED
	EA1646	0	Fitting	GE 12K R1/2" ED
	EA1645	1	Circlip	WEO 1/2"



\* ...EA-1646 (—>0711680)  
 \* ...EA-183 (0711681—>)

Ersatzteile siehe KSC0000  
 Spare parts look KSC0000  
 Pieces de rechange voir KSC0000



\* ...EA-1646 (—>0711680)  
 \* ...EA-183 (0711681—>)

Ersatzteile siehe KSC0000  
 Spare parts look KSC0000  
 Pieces de rechange voir KSC0000

/ EV-5628							/ EV-5629								
	Ventil Valve Soupape	Druck/bar Pressure/bar Pression/bar	Verschraubung Adaptor Raccord	Drossel Restrictor Etranglement	Hebel Leve Lever	Element Element Element		Ventil Valve Soupape	Druck/bar Pressure/bar Pression/bar	Verschraubung Adaptor Raccord	Drossel Restrictor Etranglement	Hebel Leve Lever	Element Element Element		
HUV	EV-2718						HUV	EV-2718							
P	P1		EA-1017				P	P1		EA-1017					
	P3		EA-716					P3		EA-716					
T	T1		EA-074				T	T1		EA-074					
	T3		EA-261					T3		EA-261					
	T4		EA-330					T4		EA-330					
1	A EV-043	160	EA-590	HD-073		HH-458	EV-5663	1	A EV-043	160	EA-590	HD-073	HH-458	EV-5663	
	B EV-043	160	EA-590	HD-073					B EV-043	160	EA-590	HD-073			
2	A EV-044	330	*		0	HH-458	EV-5664	2	A EV-044	330	*		0	HH-458	EV-5664
	B EV-044	120	*				EV-5033		B EV-044	120	*			EV-5033	
3	A EV-049	---	*			HH-458	EV-5666	3	A EV-049	---	*		HH-458	EV-5666	
	B EV-044	175	*						B EV-044	175	*				
4	A -----	---	EA-074			HH-458	EV-5667	4	A -----	---	EA-074		HH-458	EV-5667	
	B -----	---	EA-074						B -----	---	EA-074				
5	A EV-049	---	EA-261				EV-5027	5	A EV-044	100	*		HH-458	EV-5026	
	B EV-049	---	EA-261						B EV-044	230	*				
6	A EV-049	---	EA-261				EV-5027	6	A EV-049	---	*		HH-458	EV-5027	
	B EV-049	---	EA-261						B EV-049	---	*				
7	A EV-049	---	*					7	A EV-049	---	*		HH-458	EV-5027	
	B EV-049	---	*						B EV-049	---	*				

Steuerventil / Control valve / Distributeur de commande

KSC = mit Verschraubungen und Ventilen  
 KSC = with adaptors and valves  
 KSC = avec raccords et soupapes

HUV = Hauptüberdruckventil  
 HUV = Main relief valve  
 HUV = Soupape de surpression principal

O = mit Überlastsicherung  
 O = with overload protection  
 O = avec soupape de surcharge

F = ferngesteuert  
 F = remote controlled  
 F = télécommand

EV = KSC ohne Verschraubungen und Ventilen  
 EV = KSC without adaptors and valves  
 EV = KSC sans raccords et soupapes

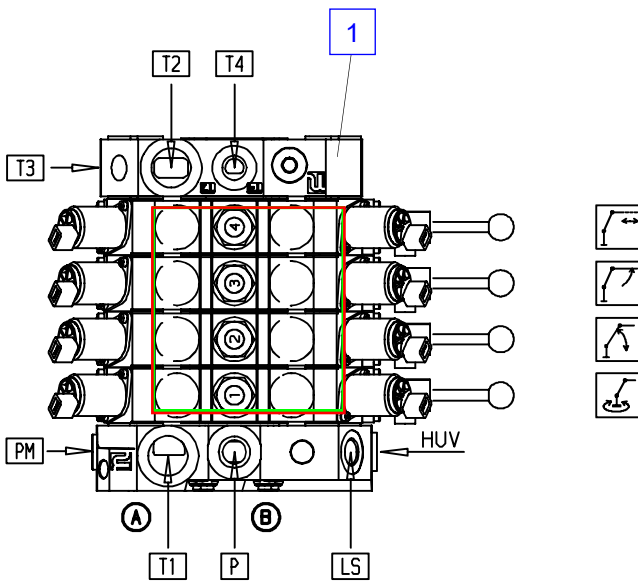
P,T = Versorgungsanschlüsse  
 P,T = Supply connections  
 P,T = Raccords de alimentation

x = offene Nullstellung - Schieberstange muß gesondert bestellt werden  
 x = neutral position open - Spool must be ordered separately  
 x = position neutral ouvert - on doit ordre le tiroir de distributeur separe

Control valve RSQ 240 RC

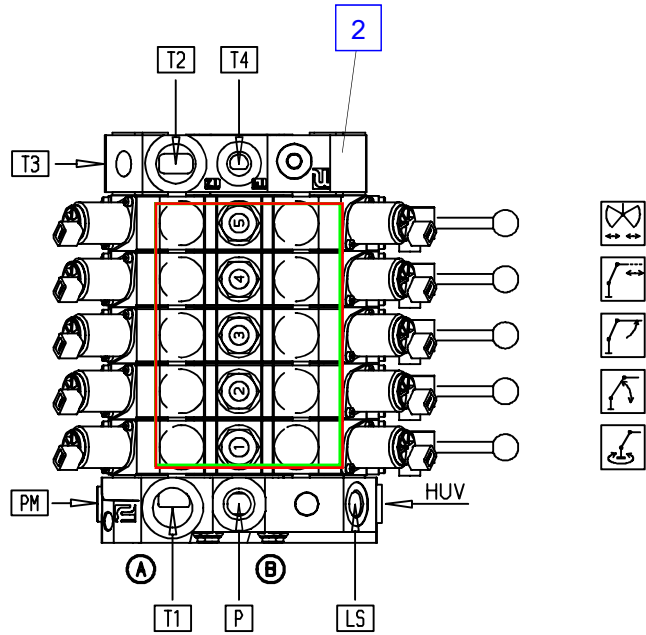
No.	Spare part	Qty.	Description	Dimension
1	EV5086-12V	1	Control valve (4-sections)	12V
	EV5086	0	Control valve (4-sections)	24V
	EA 053	0	Fitting	GE 28 L R1/1"
	EA 097	0	Fitting	GE 20S R3/4"-ED
	EA 183	0	Fitting	GE 12S R1/2"-ED
	EA1052	0	Fitting	GE 8 S R3/8"
	EA1514	0	Fitting	GE 18-LR 1/1-ed
	EA1646	0	Fitting	GE 12K R1/2" ED
	EA1645	1	Circlip	WEO 1/2"
	2	EV5111-12V	1	Control valve (5-sections) for overload protection
EV5111Z-12V		0	Control valve (5-sections)	12V
EV5111		0	Control valve (5-sections) for overload protection	24V
EV5111Z-24V		0	Control valve (5-sections)	24V
EA 053		0	Fitting	GE 28 L R1/1"
EA 097		0	Fitting	GE 20S R3/4"-ED
EA 183		0	Fitting	GE 12S R1/2"-ED
EA1052		0	Fitting	GE 8 S R3/8"
EA1514		0	Fitting	GE 18-LR 1/1-ed
EA1646		0	Fitting	GE 12K R1/2" ED
EA1645	1	Circlip	WEO 1/2"	

**RSQ 240 RC**



**Ersatzteile siehe KSC0000**  
 Spare parts look KSC0000  
 Pieces de rechange voir KSC0000

**RSQ 240 RC**



**Ersatzteile siehe KSC0000**  
 Spare parts look KSC0000  
 Pieces de rechange voir KSC0000

/ EV-5086							/ EV-5111								
	Ventil Valve Soupape	Druck/bar Pressure/bar Pression/bar	Verschraubung Adaptor Raccord	Drossel Restrictor Etranglement	Hebel Leve Levier	Element Element Element		Ventil Valve Soupape	Druck/bar Pressure/bar Pression/bar	Verschraubung Adaptor Raccord	Drossel Restrictor Etranglement	Hebel Leve Levier	Element Element Element		
HUV	EV-2718						HUV	EV-2718							
P	P		EA-097				P			EA-097					
	PM		EA-716				PM			EA-716					
	LS		-				LS			-					
	T						T								
T	T1		EA-053				T1			EA-053					
	T2		EA-1514				T2			EA-1514					
	T3		EA-1052				T3			EA-1052					
	T4		EA-183				T4			EA-183					
1	A	EV-4560	160	EA-590	HD-073		1	A	EV-4560	160	EA-590	HD-073	HH-439	EV-4951	
	B	EV-4560	160	EA-590	HD-073		B	EV-4560	160	EA-590	HD-073				
2	A	EV-4935	120	EA-1646	-	0	2	A	EV-4935	120	EA-1646	-	0	HH-439	EV-4952
	B	EV-4935	300	EA-1646	-		B	EV-4935	300	EA-1646	-			EV-6239	
3	A	EV-4935	175	EA-1646	-		3	A	EV-4935	175	EA-1646	-		HH-439	EV-4952
	B	EV-4935	300	EA-1646	-		B	EV-4935	300	EA-1646	-				
4	A	----	----	EA-1646	-		4	A	----	----	EA-1646	-		HH-439	EV-4954
	B	----	----	EA-1646	-		B	----	----	EA-1646	-				
5	A	EV-4546	-	EA-1646	-		5	A	EV-4546	-	EA-1646	-		HH-439	EV-4955
	B	EV-4546	-	EA-1646	-		B	EV-4546	-	EA-1646	-				

**Steuerventil** Control valve Distributeur de commande

KSC = mit Verschraubungen und Ventilen  
 KSC = with adaptors and valves  
 KSC = avec raccords et soupapes

HUV = Hauptüberdruckventil  
 HUV = Main relief valve  
 HUV = Soupape de surpression principal

O = mit Überlastsicherung  
 O = with overload protection  
 O = avec soupape de surcharge

F = ferngesteuert  
 F = remote controlled  
 F = télécommand

EV = KSC ohne Verschraubungen und Ventilen  
 EV = KSC without adaptors and valves  
 EV = KSC sans raccords et soupapes

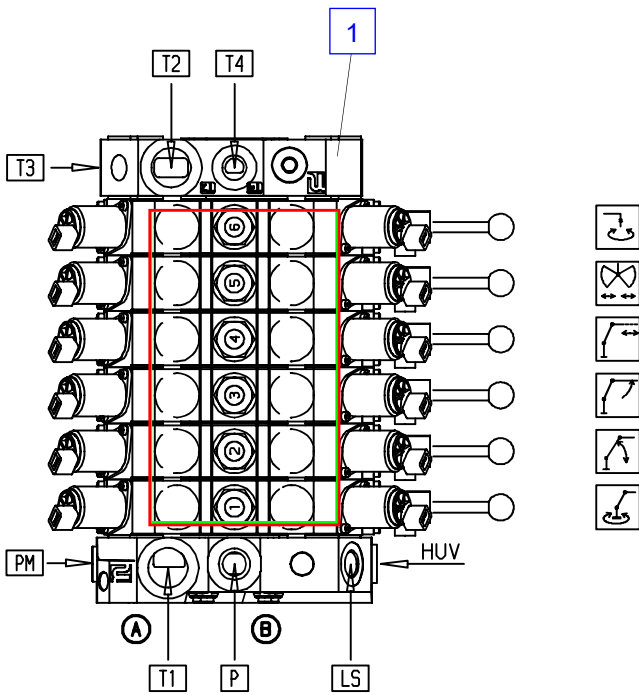
P,T = Versorgungsanschlüsse  
 P,T = Supply connections  
 P,T = Raccords de alimentation

x = offene Nullstellung - Schieberstange muß gesondert bestellt werden  
 x = neutral position open - Spool must be ordered separatly  
 x = position neutral ouvert - on doit ordre le tiroir de distributeur separe

Control valve RSQ 240 RC

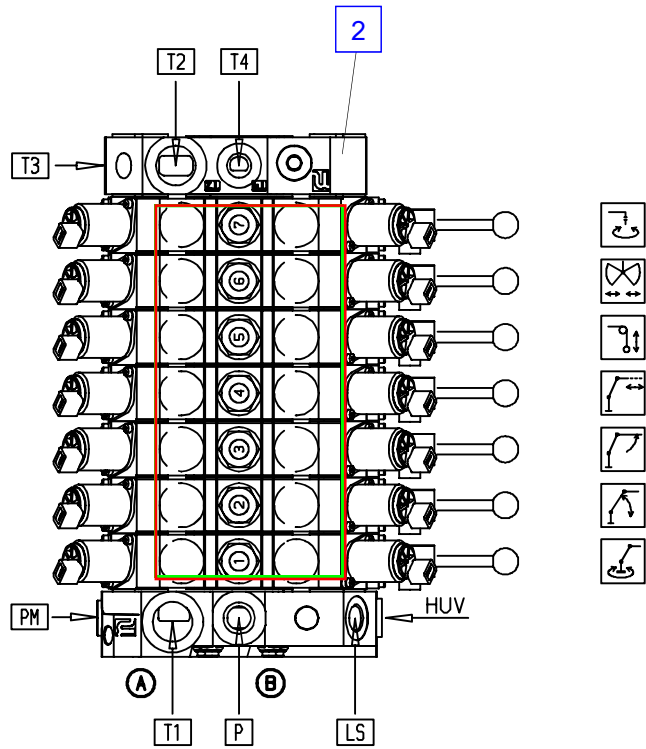
No.	Spare part	Qty.	Description	Dimension
1	EV5087-12V	1	Control valve (6-sections)	12V
	EV5087	0	Control valve (6-sections)	24V
	EA 053	0	Fitting	GE 28 L R1/1"
	EA 097	0	Fitting	GE 20S R3/4"-ED
	EA 183	0	Fitting	GE 12S R1/2"-ED
	EA1052	0	Fitting	GE 8 S R3/8"
	EA1514	0	Fitting	GE 18-LR 1/1-ed
	EA1646	0	Fitting	GE 12K R1/2" ED
	EA1645	1	Circlip	WEO 1/2"
2	EV5113	1	Control valve (7-sections)	
	EA 053	0	Fitting	GE 28 L R1/1"
	EA 097	0	Fitting	GE 20S R3/4"-ED
	EA 183	0	Fitting	GE 12S R1/2"-ED
	EA1052	0	Fitting	GE 8 S R3/8"
	EA1514	0	Fitting	GE 18-LR 1/1-ed
	EA1646	0	Fitting	GE 12K R1/2" ED
	EA1645	1	Circlip	WEO 1/2"

**RSQ 240 RC**



**Ersatzteile siehe KSC0000**  
 Spare parts look KSC0000  
 Pièces de rechange voir KSC0000

**RSQ 240 RC**



**Ersatzteile siehe KSC0000**  
 Spare parts look KSC0000  
 Pièces de rechange voir KSC0000

		/ EV-5087					
	Ventil Valve Soupape	Druck/bar Pressure/bar Pression/bar	Verschraubung Adaptor Raccord	Drossel Restrictor Etranglement	Hebel Leve Levier	Element Element Element	
HUV	EV-2718						
P	P		EA-097				
	PM		EA-716				
	LS		-				
	T						
T	T1		EA-053				
	T2		EA-1514				
	T3		EA-1052				
	T4		EA-183				
1	A	EV-4560 160	EA-590	HD-073	HH-439	EV-4951	
	B	EV-4560 160	EA-590	HD-073			
2	A	EV-4935 120	EA-1646	-	0	HH-439 EV-4952	
	B	EV-4935 300	EA-1646	-		EV-6239	
3	A	EV-4935 175	EA-1646	-		HH-439 EV-4952	
	B	EV-4935 300	EA-1646	-			
4	A	-----	EA-1646	-		HH-439 EV-4954	
	B	-----	EA-1646	-			
5	A	EV-4546	EA-1646	-		HH-439 EV-4955	
	B	EV-4546	EA-1646	-			
6	A	EV-4546	EA-1646	-		HH-439 EV-4955	
	B	EV-4546	EA-1646	-			

		/ EV-5113					
	Ventil Valve Soupape	Druck/bar Pressure/bar Pression/bar	Verschraubung Adaptor Raccord	Drossel Restrictor Etranglement	Hebel Leve Levier	Element Element Element	
HUV	EV-2718						
P	P		EA-097				
	PM		EA-716				
	LS		-				
	T						
T	T1		EA-053				
	T2		EA-1514				
	T3		EA-1052				
	T4		EA-183				
1	A	EV-4560 160	EA-590	HD-073	HH-439	EV-4951	
	B	EV-4560 160	EA-590	HD-073			
2	A	EV-4935 120	EA-1646	-	0	HH-439 EV-4952	
	B	EV-4935 300	EA-1646	-		EV-6239	
3	A	EV-4935 175	EA-1646	-		HH-439 EV-4952	
	B	EV-4935 300	EA-1646	-			
4	A	-----	EA-1646	-		HH-439 EV-4954	
	B	-----	EA-1646	-			
5	A	EV-4935 230	EA-1646	-	x	HH-439 EV-4956	
	B	EV-4935 100	EA-1646	-			
6	A	EV-4546	EA-1646	-		HH-439 EV-4955	
	B	EV-4546	EA-1646	-			
7	A	EV-4546	EA-1646	-		HH-439 EV-4955	
	B	EV-4546	EA-1646	-			

**Steuerventil** Control valve Distributeur de commande

KSC = mit Verschraubungen und Ventilen  
 KSC = with adaptors and valves  
 KSC = avec raccords et soupapes

HUV = Hauptüberdruckventil  
 HUV = Main relief valve  
 HUV = Soupape de surpression principal

O = mit Überlastsicherung  
 O = with overload protection  
 O = avec soupape de surcharge

F = ferngesteuert  
 F = remote controlled  
 F = télécommand

EV = KSC ohne Verschraubungen und Ventilen  
 EV = KSC without adaptors and valves  
 EV = KSC sans raccords et soupapes

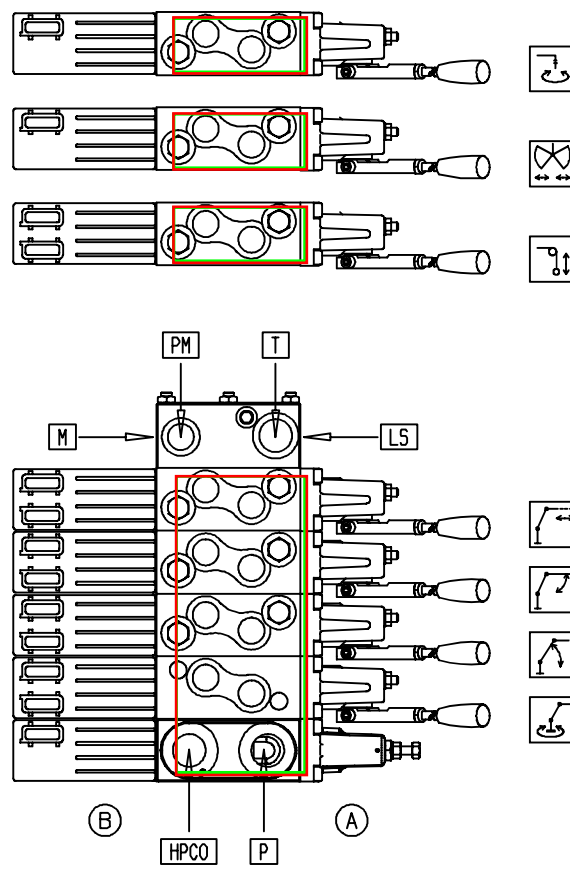
P,T = Versorgungsanschlüsse  
 P,T = Supply connections  
 P,T = Raccords de alimentation

x = offene Nullstellung - Schieberstange muß gesondert bestellt werden  
 x = neutral position open - Spool must be ordered separately  
 x = position neutral ouvert - on doit ordre le tiroir de distributeur separe

## Control valve PVG32

No.	Spare part	Qty.	Description	Dimension
1	KSC00123B	1	Control valve	RC001
	EA 089	1	Fitting	GE 08S R1/4"-ED
	EA 097	1	Fitting	GE 20S R3/4"-ED
	EA 033	1	Fitting	GE 16 SR 3/4"ED
	EA 716	1	Dial gauge connection	EMA3 R1/4"
	EA 261	1	Locking screw	VSTI R1/2"
	HLA 102	1	Fitting	GE 28 L 3/4"
	EA1646	1	Fitting	GE 12K R1/2" ED
	EA 590	1	Fitting	GE 12 SR 1/2"ED
	HD 073	1	Restrictor	D 2,0 mm
	HLA 871	0	Fitting	GE 28 L R3/4"





**Ersatzteile siehe PVG32**

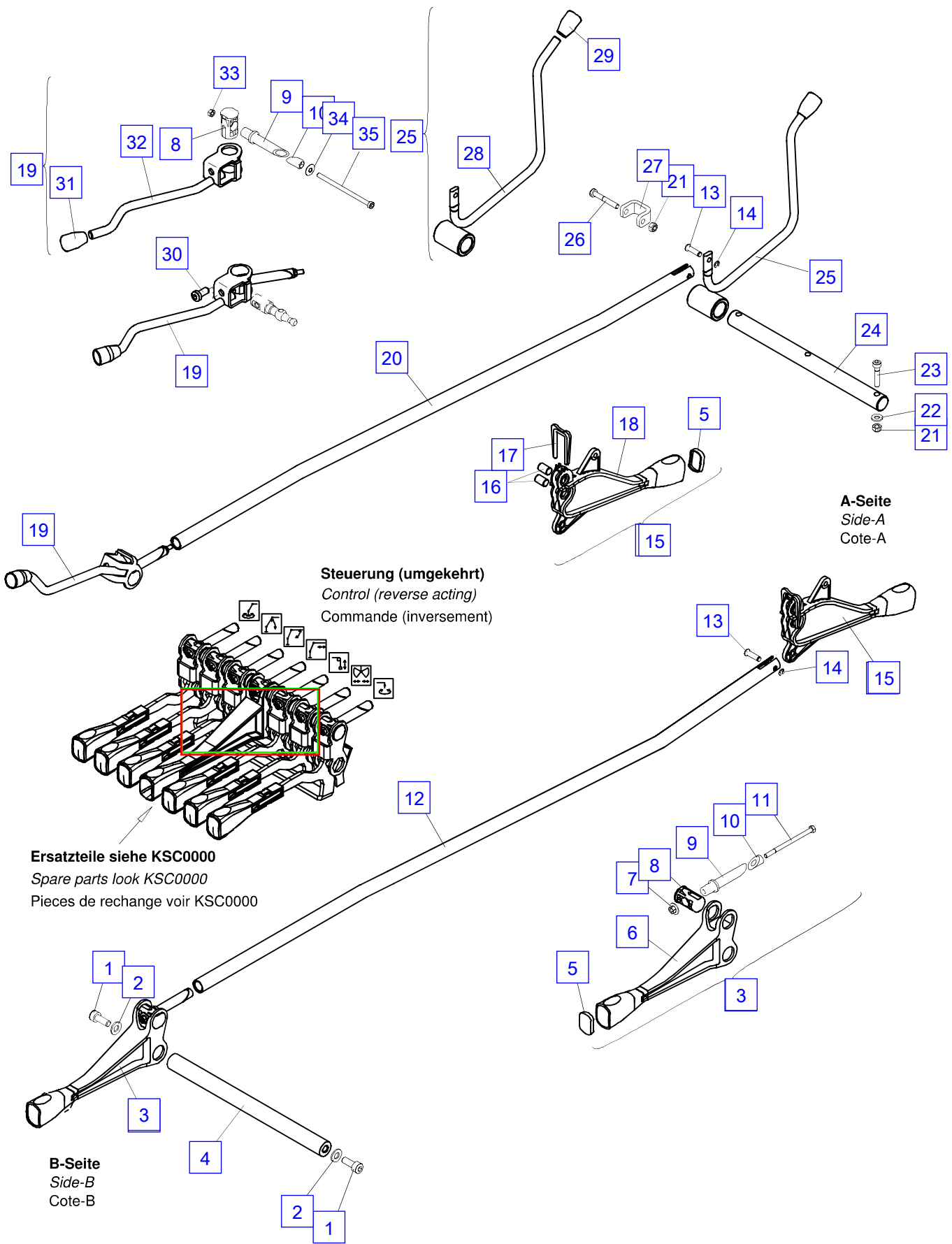
Spare parts look PVG32

Pieces de rechange voir PVG32

OC	HUV 330 bar	HPCO EA-033	P EA-097	M EA-716	PM EA-261	T HLA-871	LS ---
CC	HUV 350 bar	HPCO EA-033	P EA-097	M EA-716	PM EA-261	T HLA-871	LS EA-089
	A EA-1646 175 bar	LSA ---	---	B EA-1646 175 bar	LSB ---	---	
	A EA-1646 175 bar	LSA ---	---	B EA-1646 175 bar	LSB ---	---	
	A EA-1646 ---	LSA ---	230 bar	B EA-1646 ---	LSB ---	100 bar	
	A EA-1646 ---	LSA ---	---	B EA-1646 ---	LSB ---	---	
	A EA-1646 190 bar	LSA ---	175 bar	B EA-1646 320 bar	LSB ---	350 bar	
	A EA-1646 150 bar	LSA ---	120 bar	B EA-1646 320 bar	LSB ---	350 bar	
	A EA-590, HD-073 190 bar	LSA ---	160 bar	B EA-590, HD-073 190 bar	LSB ---	160 bar	

Control system

No.	Spare part	Qty.	Description	Dimension
1	ES 265	2	Screw	M 8x20 ISO4762- 8.8
2	EK 003	2	Washer	D 8.4 ISO7089
3	HH 409	0	Control lever, black	
3	HH 429	1	Control lever, blue	
4	HI 827	1	Control axle	
5	EK 884	2	Cover	
6	HH 408	1	Control lever, black	
6	HH 428	1	Control lever, blue	
7	EM 234	1	Nut	M 5
8	HI1543	2	Pin	D20.0xL33.0
9	EK 866	2	Cotter	
10	EK 867	2	Cotter	
11	ES1381	1	Screw	M 5x80 DIN 931
12	HSV 211	0	Control rod	
13	HI2603	0	Pin	
14	EQ 116	0	Safety washer	D4 DIN6799
15	HH 411	0	Control lever, black	
15	HH 425	1	Control lever, blue	
16	HI2907	2	Pin	
17	EK 868	1	Bolt retainer	
18	HH 410	1	Control lever, black	
18	HH 424	1	Control lever, blue	
19	HH 420	4	Control lever, cpl.	
20	HSV 212	0	Control rod	
21	EM 014	4	Nut	DIN 985-8 M 6
22	EK 043	3	Washer	D 6.4 DIN 134
23	ES 080	3	Screw	M 6x35 DIN 6912
24	HI2735	1	Control axle	
25	HH 423	0	Control lever	
26	ES 105	1	Screw	M 6x40 ISO4762 10.9
27	HA6509	1	Bearer (R2X,RC)	
28	HH 422	1	Control lever	
29	EK 871	1	Handle, black	
30	ES 051	4	Screw	M 8x16 DIN 7984 8.8
31	EK 871	1	Handle, black	
32	HH 419	1	Control lever	
33	EM 018	1	Nut	M5 DIN 934
34	EK 560	1	Disc spring	
35	ES 578	1	Screw	M05x090



**Steuerung (umgekehrt)**  
Control (reverse acting)  
Commande (inversemnt)

**A-Seite**  
Side-A  
Cote-A

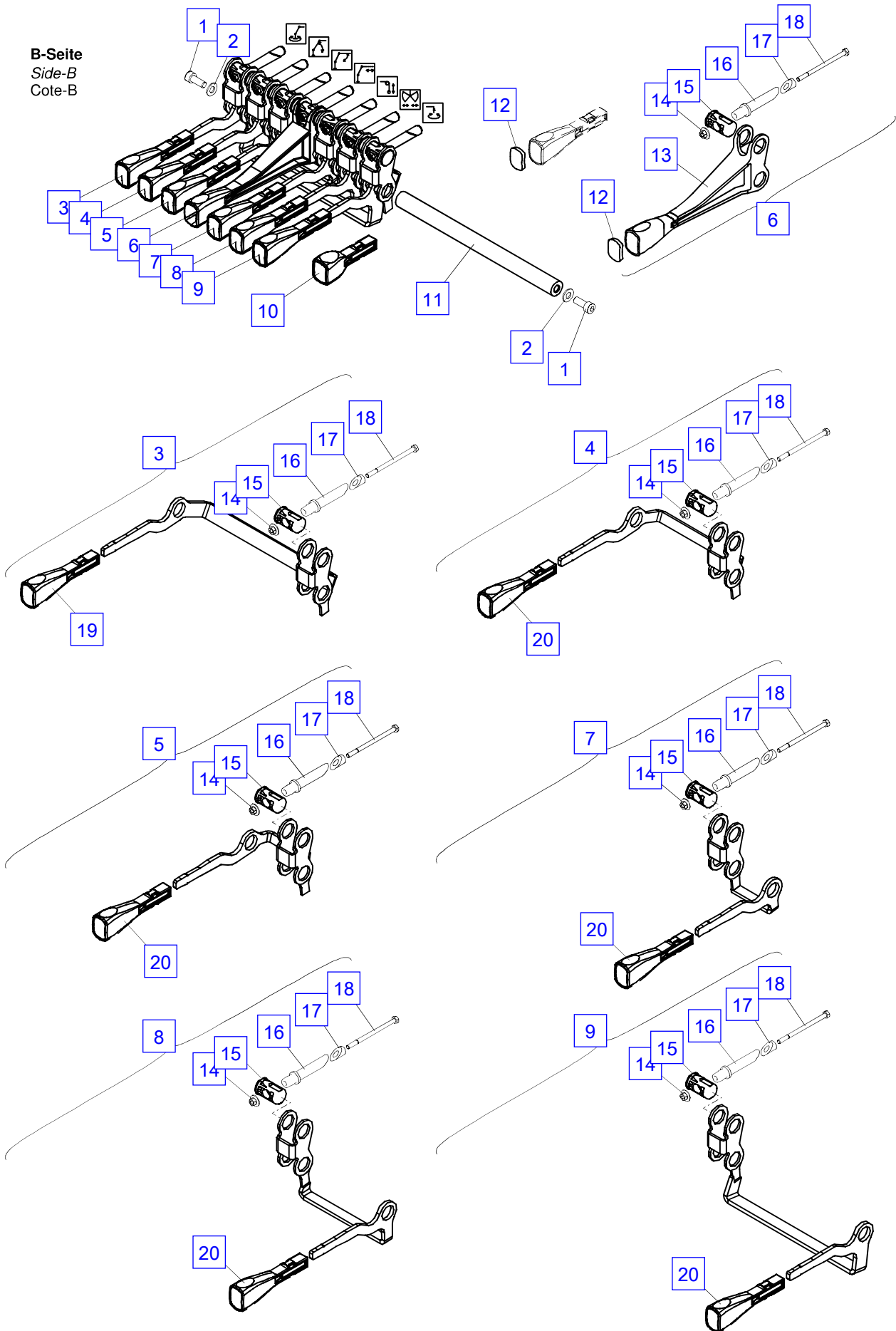
**Ersatzteile siehe KSC0000**  
Spare parts look KSC0000  
Pieces de rechange voir KSC0000

**B-Seite**  
Side-B  
Cote-B

Control (reverse acting)

No.	Spare part	Qty.	Description	Dimension
1	ES 265	2	Screw	M 8x20 ISO4762- 8.8
2	EK 003	2	Washer	D 8.4 ISO7089
3	HH 450	1	Control lever cplt.	
4	HH 451	1	Control lever cplt.	
5	HH 452	1	Control lever cplt.	
6	HH 409	1	Control lever, black cplt.	
7	HH 453	1	Control lever cplt.	
8	HH 454	1	Control lever cplt.	
9	HH 455	1	Control lever cplt.	
10	EK 901	1	Handle, black (Support)	
11	HI 827	1	Control axle	
12	EK 884	0	Cover	
13	HH 408	1	Control lever, black	
14	EM 234	0	Nut	M 5
15	HI1543	0	Pin	D20.0xL33.0
16	EK 866	0	Cotter	
17	EK 867	0	Cotter	
18	ES1381	0	Screw	M 5x80 DIN 931
19	EK 900	1	Handle, blue	
20	EK 899	0	Handle, black	

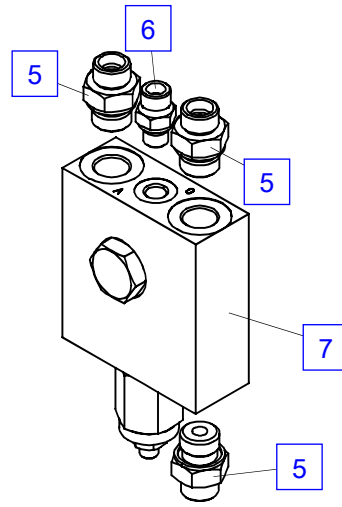
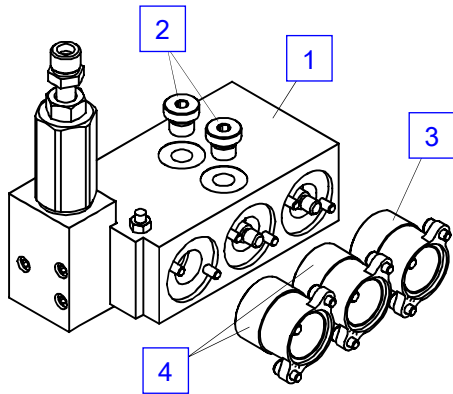
**B-Seite**  
Side-B  
Cote-B



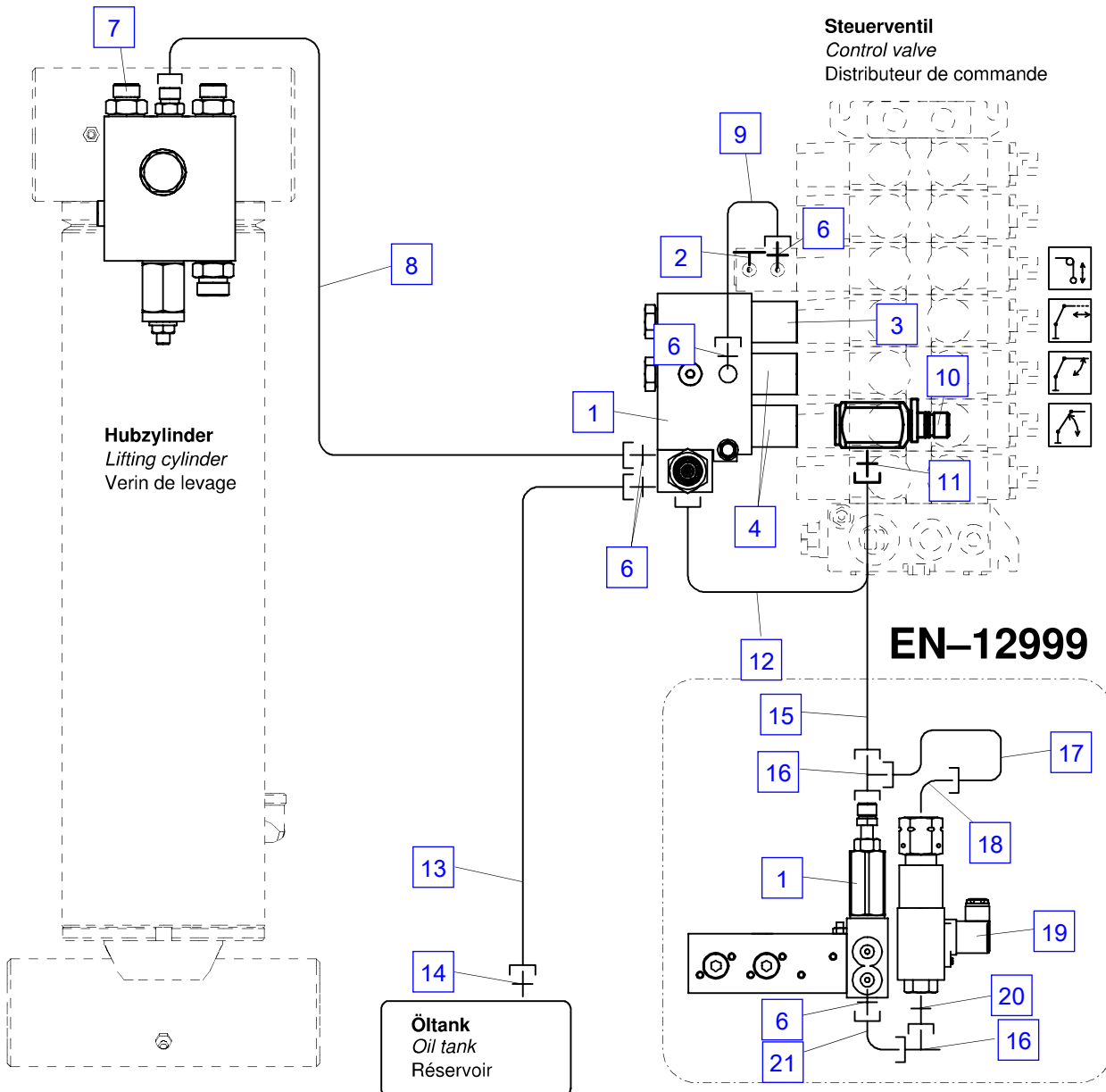
Overload protection-OSK-F

No.	Spare part	Qty.	Description	Dimension
1	EV4452	1	Overload bloc	
	TD 946	1	Seal kit	
2	EA 236	3	Locking screw	VSTI R 1/4"
3	EV4500	1	Adapter	RS 210
4	EV4453	2	Adapter	RS 210
5	EA 183	3	Fitting	GE 12S R1/2"-ED
6	EA 089	5	Fitting	GE 08S R1/4"-ED
7	UV392	1	Load holding valve (page 040.0300)	
8	EH1122	1	Hose	NW 6x4100
9	HLR 8437	1	Pipe	D 8
10	EA1655	1	Fitting	STE 10K R 3/8"
11	EA1052	1	Fitting	GE 8 S R3/8"
12	HLR 8827	1	Pipe	D 8
13	EH5162	1	Hose	NW 6x750
14	EA 190	1	Fitting	GE 10L R3/8"-ED
15	HLR 9846	1	Pipe	D 8
16	EA 091	2	L-Coupling	EL 8 S
17	HLR 9690	1	Pipe	D 8
18	EA1747	1	Adaptor	WEE 08S R1/4"
19	UV097A	1	Pressure switch	
20	EA 151	1	Fitting	EGE 8 S R1/4"
21	EA 263	1	Angle fitting	EW 08S

**OSK-F**



**Steuerventil**  
Control valve  
Distributeur de commande

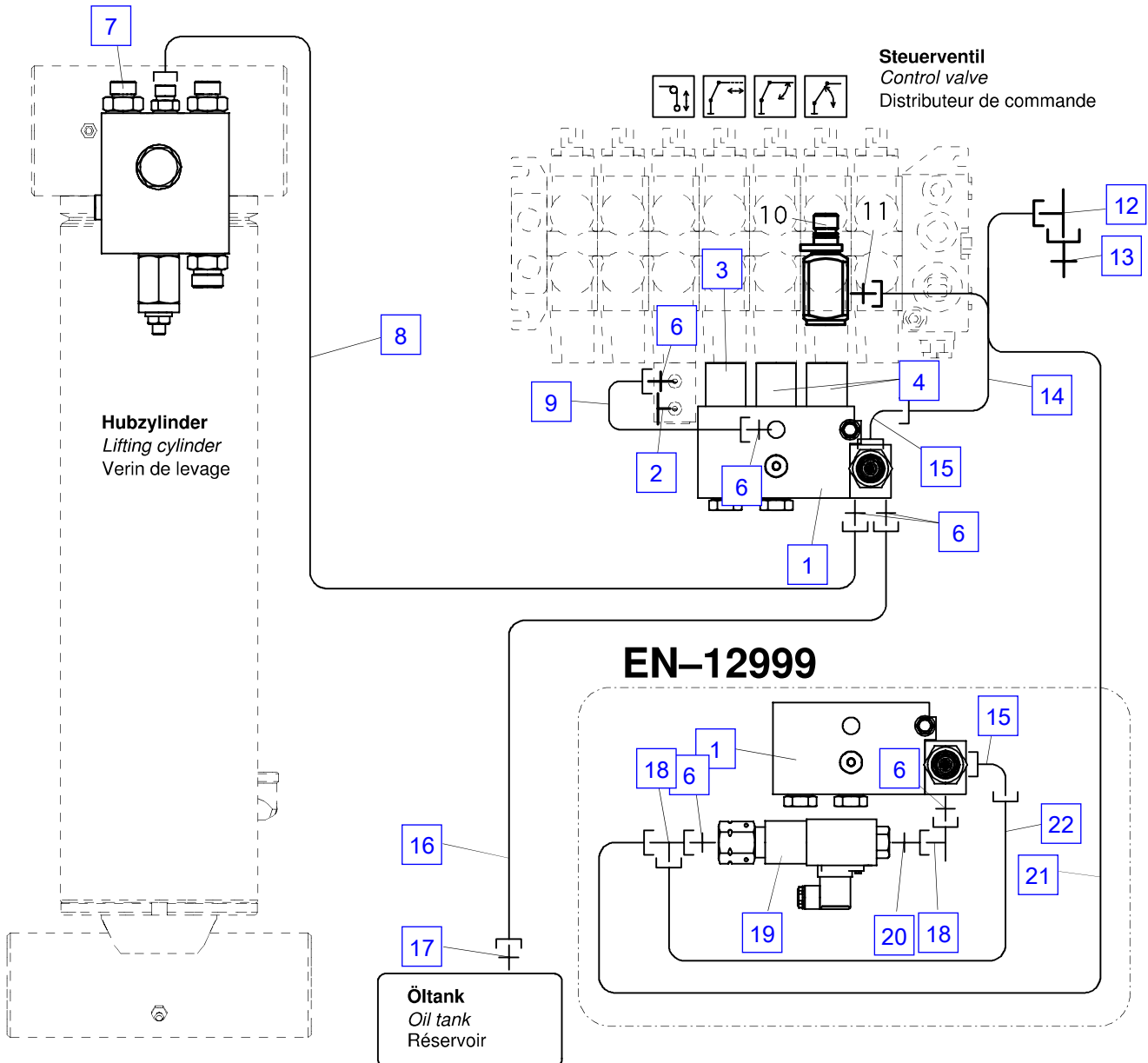
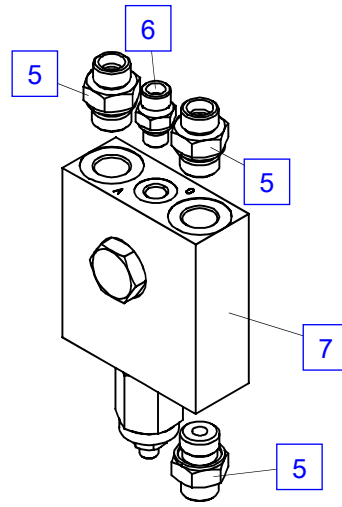
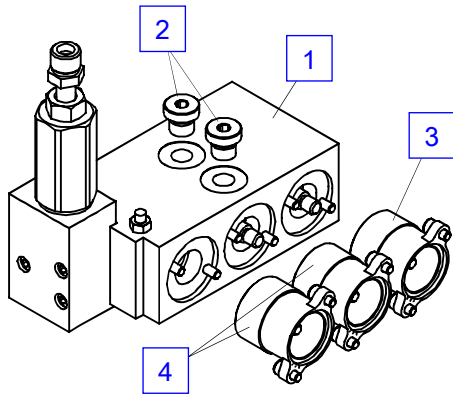


Overload protection-OSK-H

No.	Spare part	Qty.	Description	Dimension
1	EV4452	1	Overload bloc	
	TD 946	1	Seal kit	
2	EA 236	3	Locking screw	VSTI R 1/4"
3	EV4500	1	Adapter	RS 210
4	EV4453	2	Adapter	RS 210
5	EA 183	3	Fitting	GE 12S R1/2"-ED
6	EA 089	5	Fitting	GE 08S R1/4"-ED
7	UV392	1	Load holding valve (page 040.0300)	
8	EH3206	1	Hose	NW 6x2700
9	HLR 8437	1	Pipe	D 8
12	EA1334	1	Fitting	TR 12/08/12S
13	EA 260	1	Fitting	EGE 12 S R1/2"
14	HLR 9454	1	Pipe	D 8
15	EA 263	1	Angle fitting	EW 08S
16	EH5161	1	Hose	NW 6x4300
17	EA 190	1	Fitting	GE 10L R3/8"-ED
18	EA 091	2	L-Coupling	EL 8 S
19	UV097A	1	Pressure switch	
20	EA 151	1	Fitting	EGE 8 S R1/4"
21	HLR 9849	1	Pipe	D 8
22	HLR 9850	1	Pipe	D 8



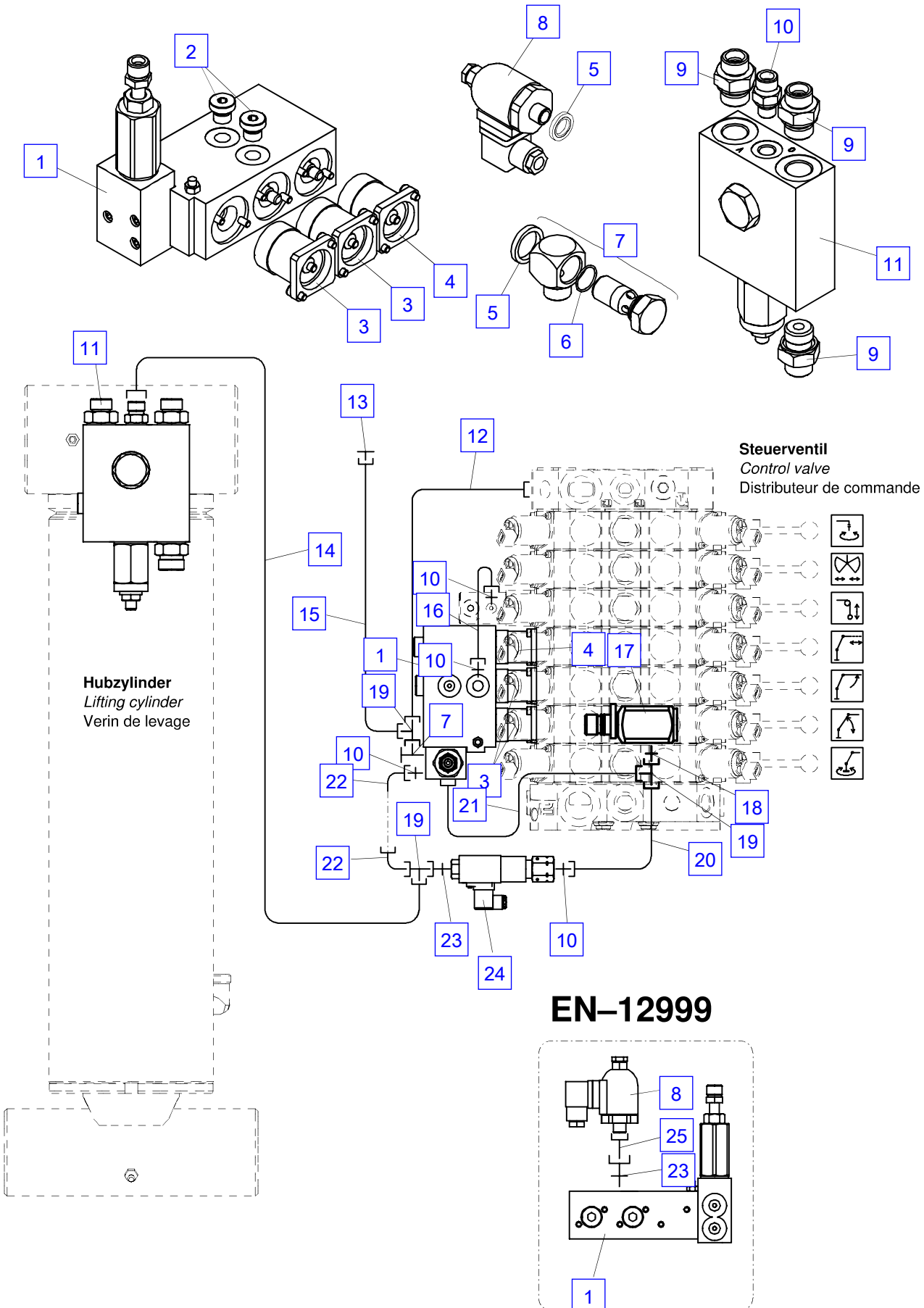
**OSK-H**



Overload protection-OSK-RSQ240 RC

No.	Spare part	Qty.	Description	Dimension
1	EV4452	1	Overload bloc	
	TD 946	1	Seal kit	
2	EA 236	2	Locking screw	VSTI R 1/4"
3	EV4454	2	Adapter	RSQ 240
4	EV4501	1	Adapter	RSQ 240
5	ED 619	2	Sealing ring	KD 1/4"
6	EO 906	1	O-ring	D 12,5x1,5
7	EA 282	1	Adaptor	WH 8 S R1/4"
8	EEA1194	1	Pressure switch	30-400 bar
9	EA 183	3	Fitting	GE 12S R1/2"-ED
10	EA 089	5	Fitting	GE 08S R1/4"-ED
11	UV392	1	Load holding valve (page 040.0300)	
12	EH1924	1	Hose	NW 6x410
13	EA1023	1	Blanking part	ROV-10L
14	EH1369	1	Hose	NW 6x4400
15	EH5162	1	Hose	NW 6x750
16	HLR 8437	1	Pipe	D 8
17	EA1655	1	Fitting	STE 10K R 3/8"
18	EA1052	1	Fitting	GE 8 S R3/8"
19	EA 091	3	L-Coupling	EL 8 S
20	HLR 9840	1	Pipe	D 8
21	HLR 9839	1	Pipe	D 8
22	EA 263	2	Angle fitting	EW 08S
23	EA 151	2	Fitting	EGE 8 S R1/4"
24	UV097A	1	Pressure switch	
25	EA 755	1	Pressure gauge connection	MAV 8S 1/4"

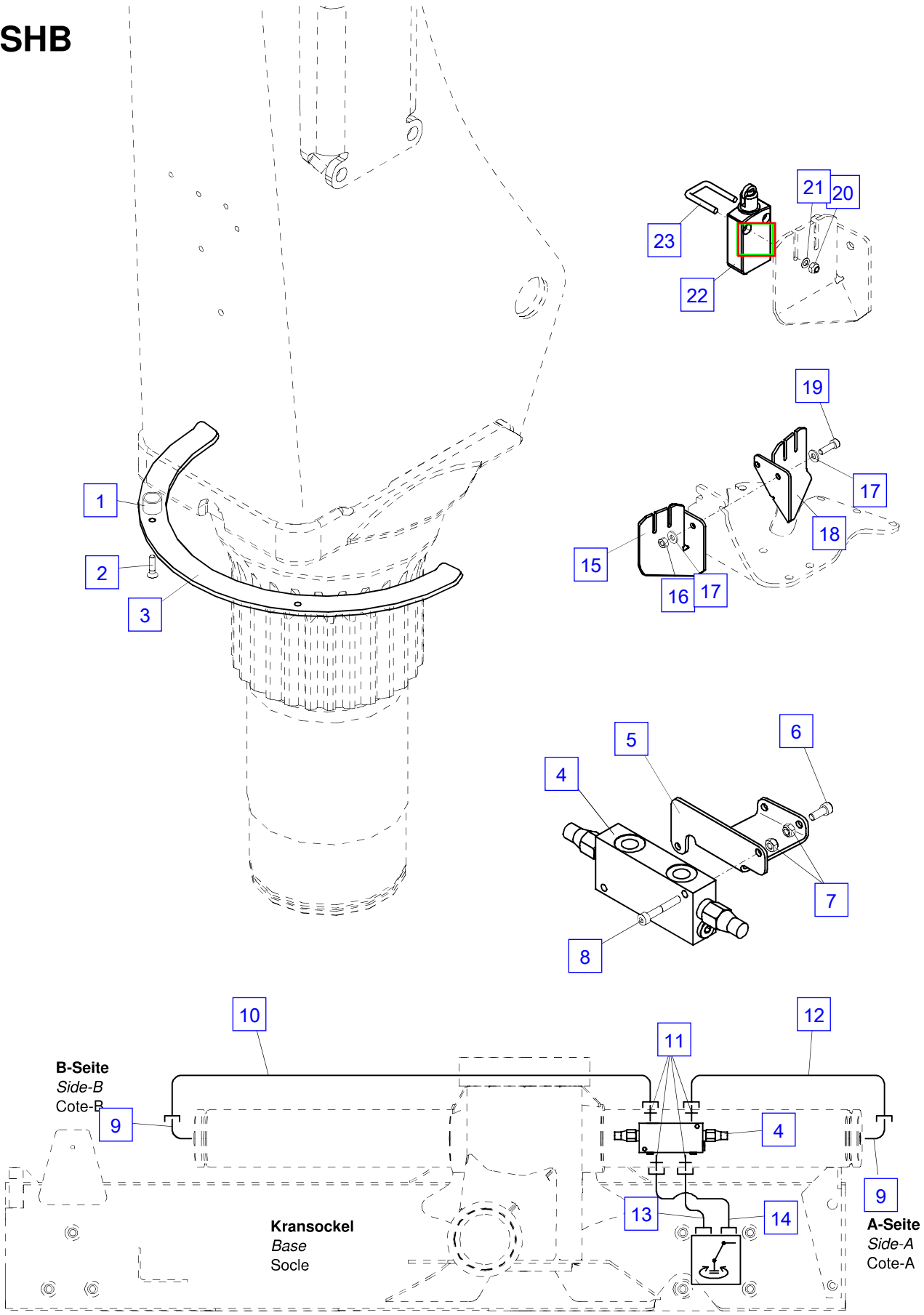
# OSK-RSQ 240 RC



Slew limitation

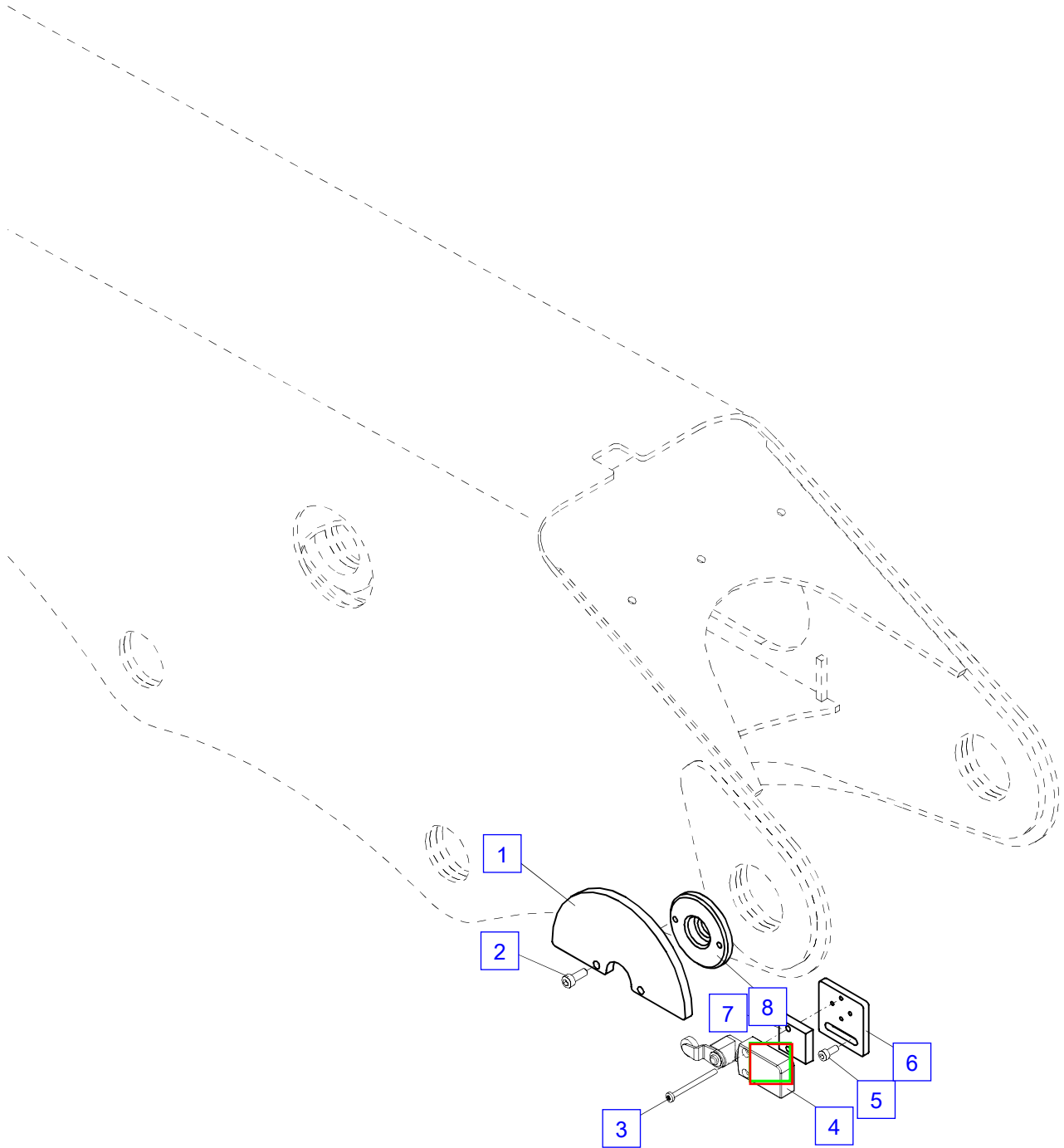
No.	Spare part	Qty.	Description	Dimension
1	HBS2884	2	Spacer	l=15 mm
2	ES1330	2	Screw	M 6x25 ISO14581- 8.8
3	HT6619	1	Plate	
4	EV5037-160	1	Load holding valve	160 bar
	TD1001	1	Seal kit	
5	HA6639	1	Bracket	
6	ES 265	2	Screw	M 8x20 ISO4762- 8.8
7	EM 026	4	Nut	M 8 DIN 985
8	ES 432	2	Screw	M 8x50 ISO4762- 8.8
9	EA1749	2	Adaptor	WEE 12S 3/8"
10	HLR 9277	1	Pipe	D 12
11	EA 183	4	Fitting	GE 12S R1/2"-ED
12	HLR 9276	1	Pipe	D 12
13	HLR 9278	1	Pipe (F)	D 12
13	HLR 9280	1	Pipe (RC001)	D 12
14	HLR 9279	1	Pipe (F)	D 12
14	HLR 9281	1	Pipe (RC001)	D 12
15	HA6551	1	Bearer	
16	EM 004	2	Nut	DIN 934 M6 CL8 ZB
17	EK 043	4	Washer	D 6.4 DIN 134
18	HA6550	1	Bearer	
19	ES 019	2	Screw	M 6x20 ISO4762-10.9
20	EM 154	4	Nut	DIN 985 M4 CL8 ZB
21	EK 124	4	Washer	ISO7092 - A2 -140HV
22	EEA3942	2	Limit switch see additional chapter	
23	HIG 459	2	Mounting bracket	

**SHB**



## Transport position monitoring

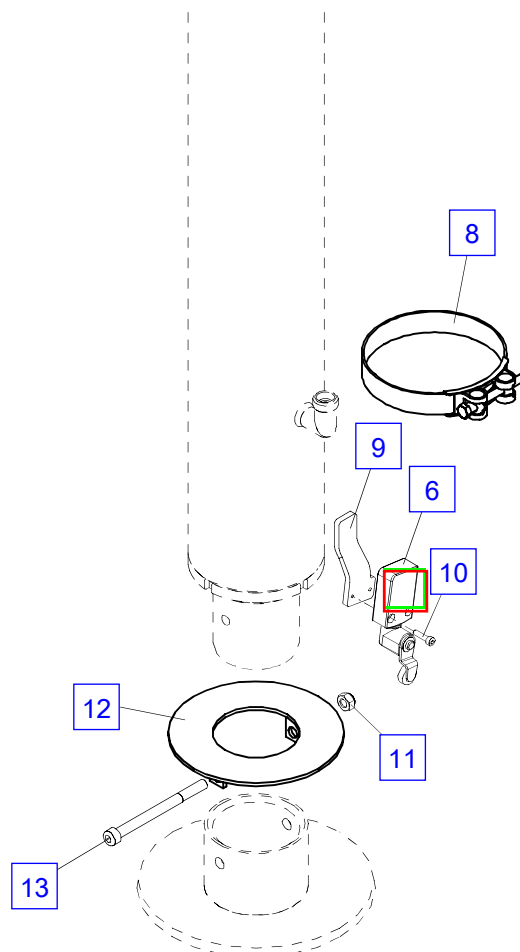
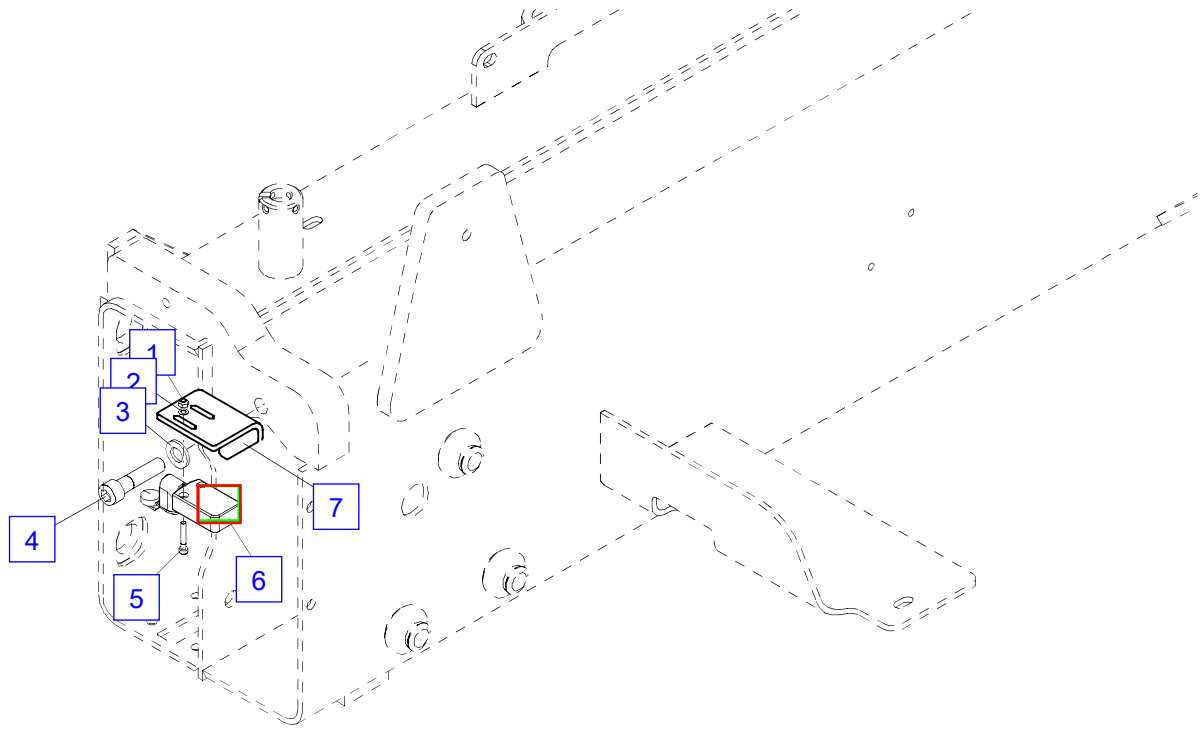
No.	Spare part	Qty.	Description	Dimension
1	HT6978	1	Bracket	
2	ES 175	2	Screw	M 6x16 ISO4762- 8.8
3	ES 450	2	Screw	M 4x50 DIN 84
4	EEA3942	1	Limit switch see additional chapter	
5	ES 061	2	Screw	M 5x12 ISO4762- 8.8
6	HT7003	1	Fastening plate	
7	HTR3901	1	Spacing piece	8mm
8	HB 334	1	Cover	



## Support control

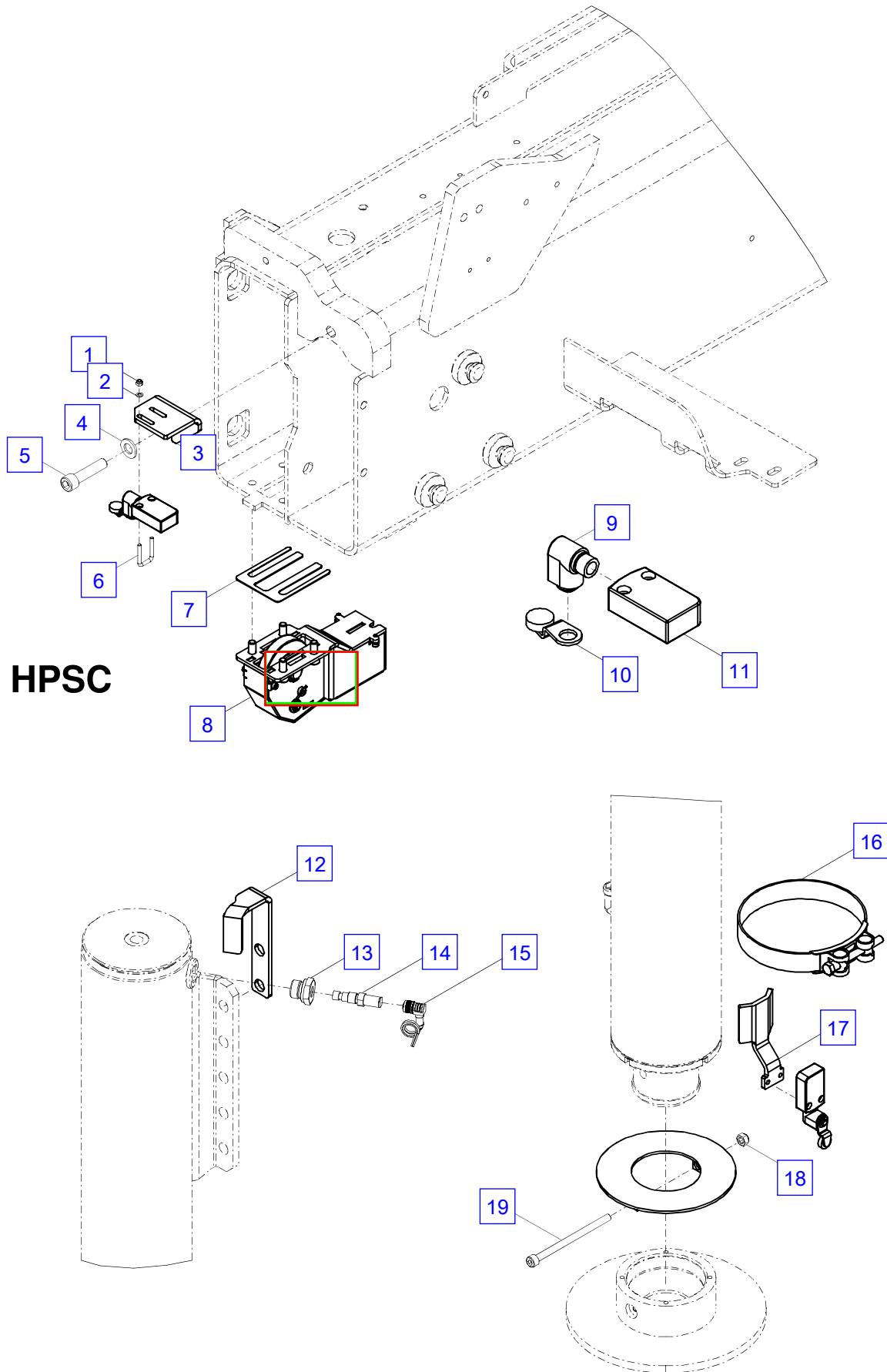
No.	Spare part	Qty.	Description	Dimension
1	EM 154	4	Nut	DIN 985 M4 CL8 ZB
2	EK 124	4	Washer	ISO7092 - A2 -140HV
3	EK 301	2	Washer	D 12 ISO7089-A2-HV140
4	ES 458	2	Screw	M 12x50 ISO4762-10.9
5	ES 791	4	Screw	M 4x25 ISO4762- 8.8
6	EEA3942	4	Limit switch see additional chapter	
7	HA7142	2	Bearer	
8	EZ2058	2	Hose clip	
9	HA7143	2	Bearer	
10	ES 853	4	Screw	M4x16 - 8.8 - ISO4762
11	EM 026	2	Nut	M 8 DIN 985
12	HXE2227	2	Stop buffer	
13	ES1161	2	Screw	M 8x100 ISO4762- 8.8





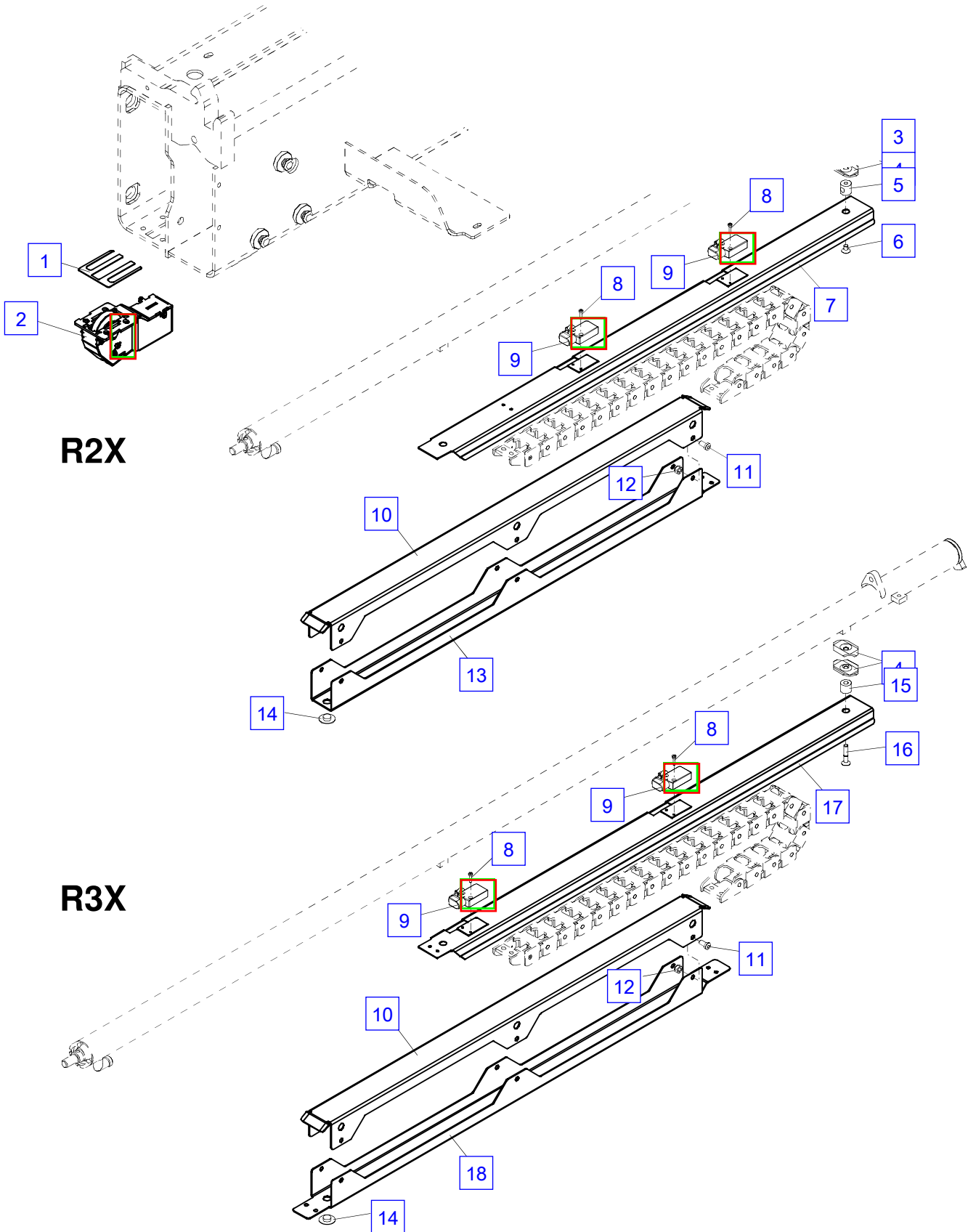
Support control

No.	Spare part	Qty.	Description	Dimension
1	EM 154	2	Nut	DIN 985 M4 CL8 ZB
2	EK 124	2	Washer	ISO7092 - A2 -140HV
3	HA7142	1	Bearer	
4	EK 301	1	Washer	D 12 ISO7089-A2-HV140
5	ES 458	1	Screw	M 12x50 ISO4762-10.9
6	HIG 459	1	Mounting bracket	
7	HT11247	1	Distance plate	0,5 mm
7	HT8878	1	Distance plate	1 mm
7	HT8879	1	Distance plate	2 mm
7	HT8880	1	Distance plate	4 mm
8	HXE3554	2	Tread roller	D=70 mm
9	EEA3986A	1	Drive	
10	EEA3987	1	Roller lever Plastic	l=42.5 mm, b=5 mm
11	EEA3942	1	Limit switch	
12	HA10520	1	Protection stirrup	
12	HA9855	1	Protection stirrup	
13	EA2368	1	Fitting	R 1/2"
14	EEA6171	1	Sensor Closer	M 12 d=10 mm
15	EEA1150	1	Plug with cable (3-pole)	M 12 - 12 m
16	EZ2071	1	Hose clip	D 122-130 mm
17	HA7142	1	Bearer	
18	EM 026	1	Nut	M 8 DIN 985
19	ES1165	1	Screw	M 8x120 DIN 912



Support control

No.	Spare part	Qty.	Description	Dimension
1	HT8878	2	Distance plate	1 mm
1	HT8879	2	Distance plate	2 mm
1	HT8880	2	Distance plate	4 mm
2	HXE3554	2	Tread roller	D=70 mm
3	ES1607	4	Set screw	D 8x35 ISO4766- 8.8
4	HX 611	8	Clip	L0058.2xB0039.1 xS003.0
5	HBS3208	4	Spacer	l=20 mm
6	ES 123	4	Screw	M 8x12 ISO14581- 8.8
7	HXE3026	2	Hose tray	
8	ES 853	8	Screw	M4x16 - 8.8 - ISO4762
9	EEA3942	4	Limit switch see additional chapter	
10	HA4814	2	Hose tray	
11	ES 051	12	Screw	M 8x16 DIN 7984 8.8
12	EM 026	12	Nut	M 8 DIN 985
13	HA4815	2	Hose tray	
14	HF 047	4	Guide	2 mm
15	HBS3207	4	Spacer	l=17 mm
16	ES 731	4	Screw	M 8x40 ISO14581- 8.8
17	HXE3025	2	Hose tray	
18	HA4813	2	Hose tray	

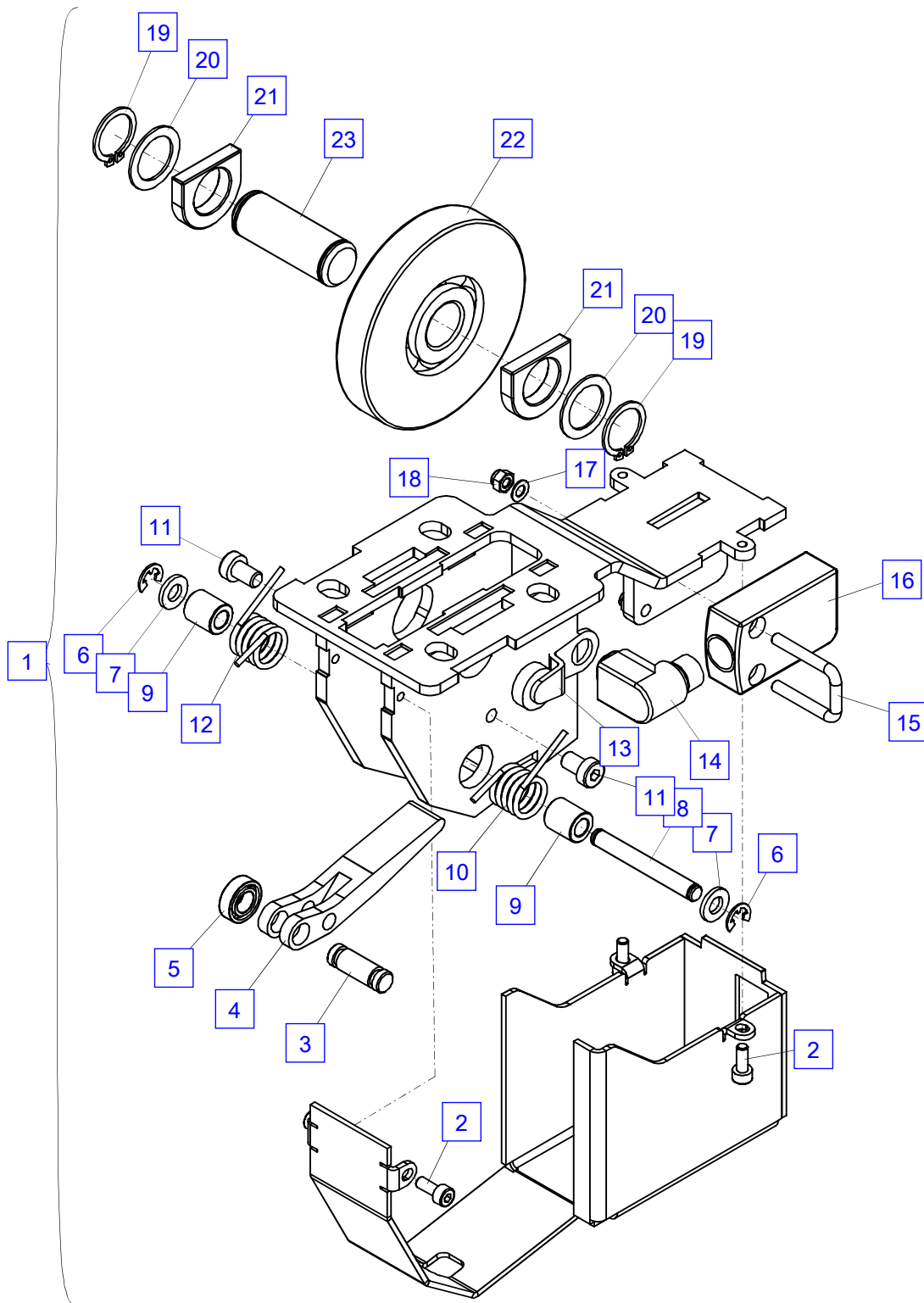


**R2X**

**R3X**

Tread roller

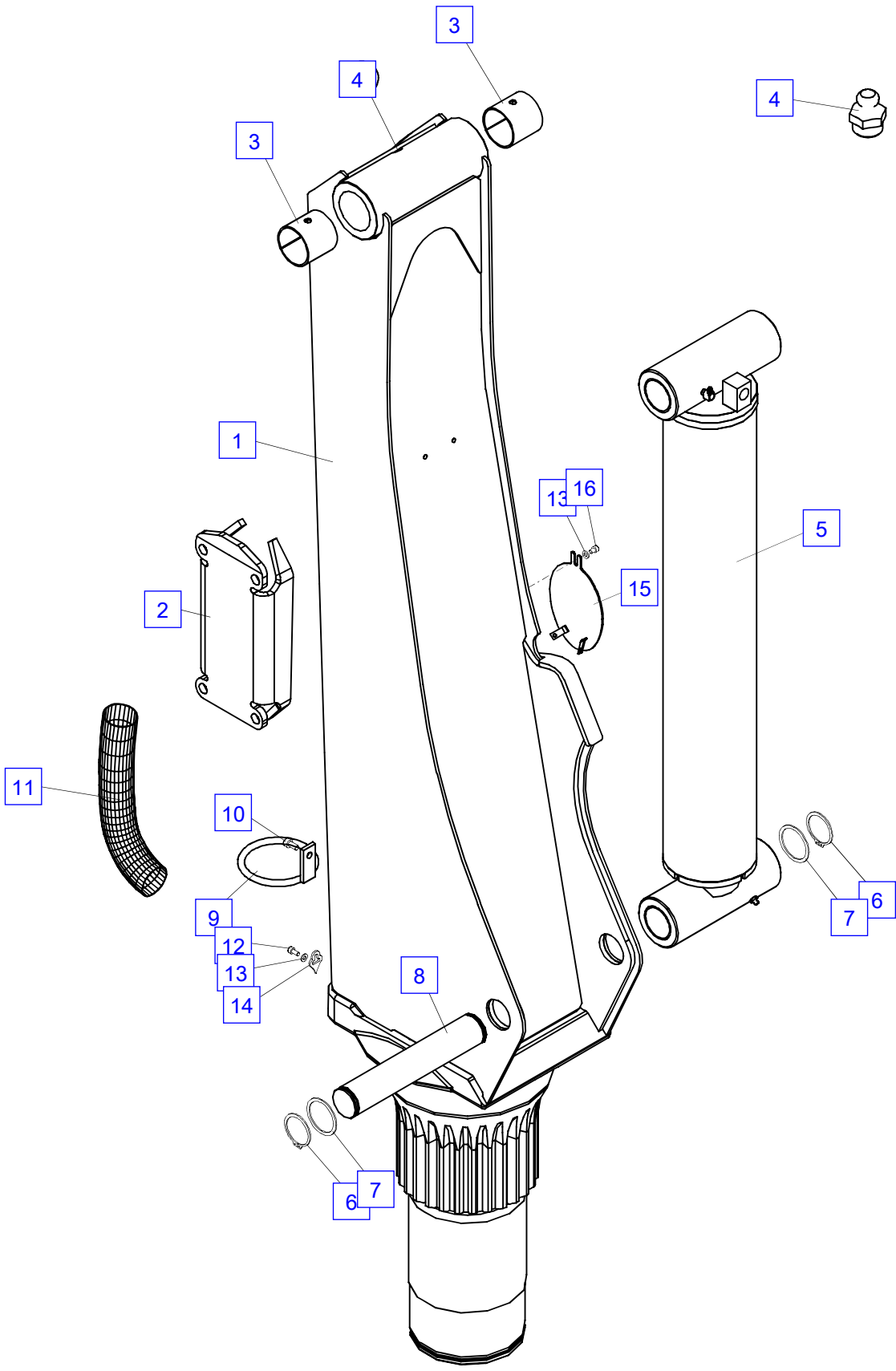
No.	Spare part	Qty.	Description	Dimension
1	HXE3552	1	Tread roller (R2,R2X)	D=80 mm
1	HXE3554	1	Tread roller	D=70 mm
2	ES 852	4	Screw	ISO4762 M 4 x 10
3	HI3316	2	Pin	
4	HT10009	1	Lever for HXE3552	
4	HT8881	1	Lever for HXE3554	
5	ELW 266	1	Ball bearing	d008xD016x05
6	EQ 052	2	Safety washer	D 5 DIN 6799
7	EK 190	2	Washer	DIN134-06-ST
8	HI3317	1	Pin	
9	HBS3177	2	Bushing	
10	EF 192	1	Spring	
11	ES 879	2	Screw	M 6x10 - 8.8 - DIN 7984
12	EF 193	1	Spring	
13	EEA3987	1	Roller lever Plastic	l=42.5 mm, b=5 mm
14	EEA3986	1	Drive	
15	HIG 459	1	Mounting bracket	
16	EEA3942	1	Limit switch	
17	EK 124	2	Washer	ISO7092 - A2 -140HV
18	EM 154	2	Nut	DIN 985 M4 CL8 ZB
19	EQ 873	2	Circlip	D 17 DIN 471
20	EK 689	2	Spacer	D 17/1 DIN 988
21	HT8991	2	Metal plate	
22	ELW 301	1	Ball bearing for HXE3552	D=80 mm
22	ELW 269	1	Ball bearing for HXE3554	D=70 mm
23	HI3315	1	Pin	



Crane column

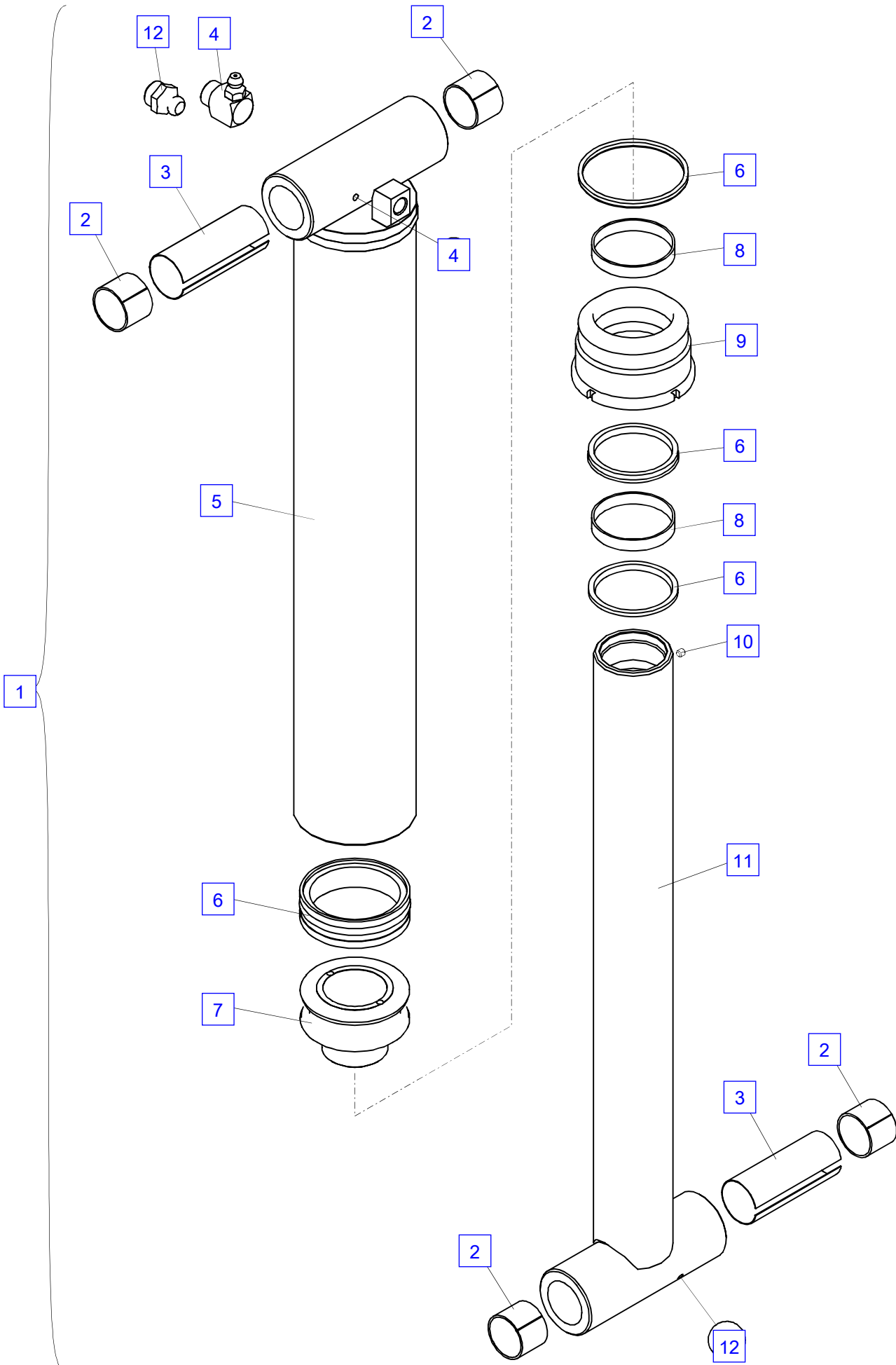
No.	Spare part	Qty.	Description	Dimension
1	S207S01SA+00001	1	Crane column (Standard colour RAL 2002)	F
2	HA7466	1	Bracket	
3	ELG 011	2	Bearing bush	D 60x65x60
4	EA 005	1	Grease nipple	M10x1 DIN71412
5	UP1448	1	Lifting cylinder (page 040.0200)	
6	EQ 086	2	Circlip	D 50 DIN 471
7	HBS 874	2	Spacer	2 mm
7	HBS 998	2	Spacer	1.5 mm
8	HI2895	1	Pin	D050.0xL0282.0
9	HXL 020	1	Hose ring	d=100 mm
10	ES 264	1	Screw	M8x16 ISO4762- 8.8
11	EH 765	1	Protection hose (H)	NW 102x2750
11	EH1154	1	Protection hose (Main boom)	NW 102x600
11	EH1487	1	Protection hose (H,I)	NW 50x750
11	EH1567	1	Protection hose (F)	NW 102x2600
12	ES1150	1	Screw	M 6x12 - 8.8 - ISO4762
13	EK 190	2	Washer	DIN134-06-ST
14	HT7778	1	Folding arrow	
15	HXE2960	1	Cover	
16	ES 126	1	Screw	M 6x8 ISO4762 8.8





## Lifting cylinder

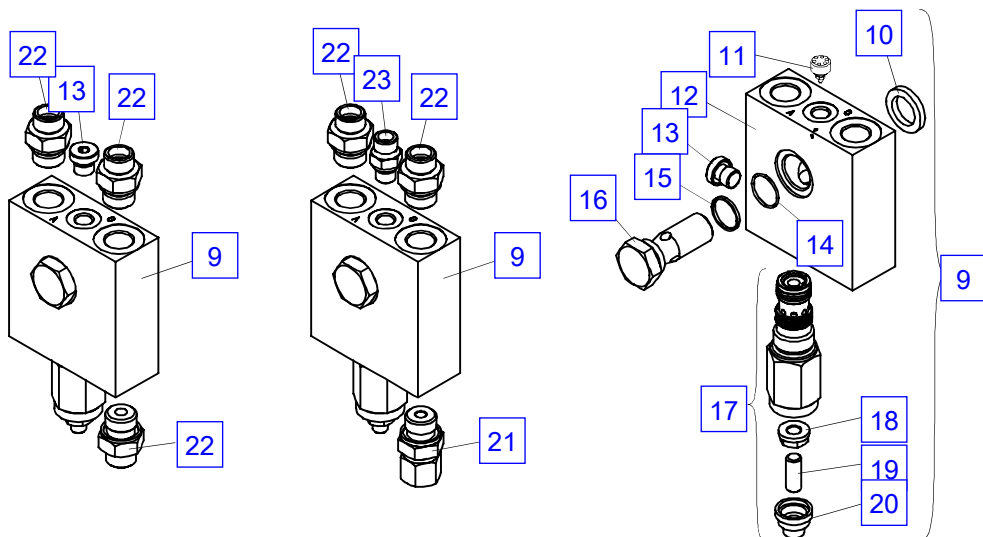
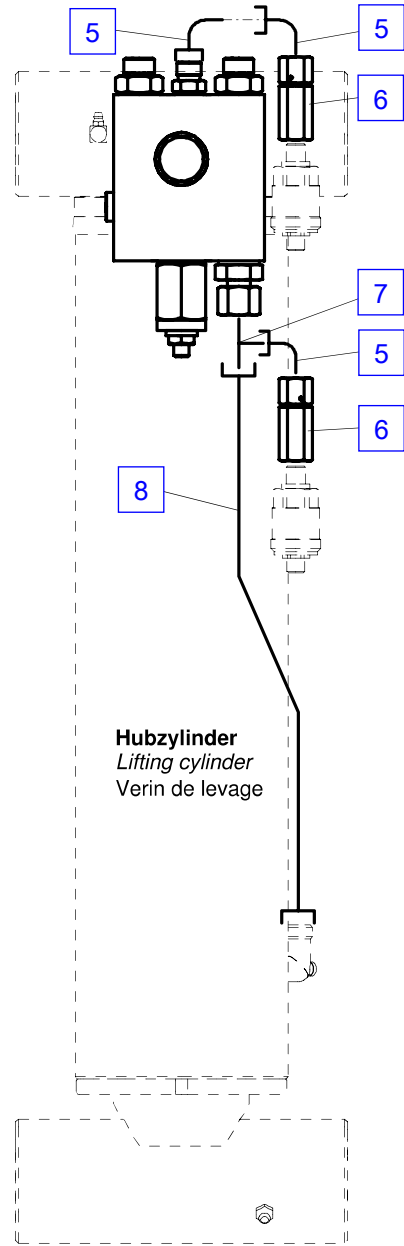
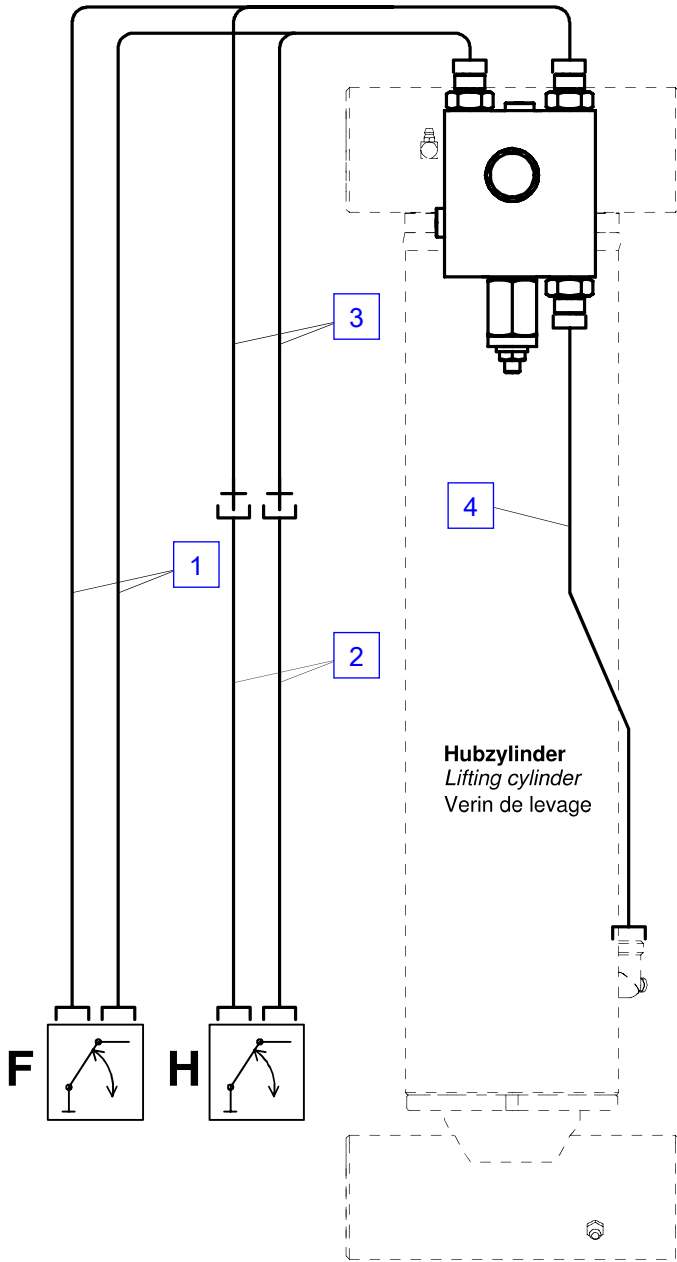
No.	Spare part	Qty.	Description	Dimension
1	UP1448	1	Lifting cylinder	
2	ELG 002	4	Bearing bush	D 50x55x40
3	HBD 299	2	Spacer	
4	EA 023	1	Grease nipple	M 10x1 DIN 71412
5	HY1350	1	Cylinder tube	
6	TD 525	1	Seal kit (+8)	
7	HK 362A	1	Piston	D125xL085.0 M075x2.0
8	EG 037	2	Guide ring	95 x 90 x 15
9	HV 363	1	Cylinder nut	M131x2.5 d090xL085
10	ES 030	1	Set screw	M 8x8 DIN 913
11	HSK1216	1	Piston rod	
12	EA 005	1	Grease nipple	M10x1 DIN71412



Pipes-Lifting cylinder

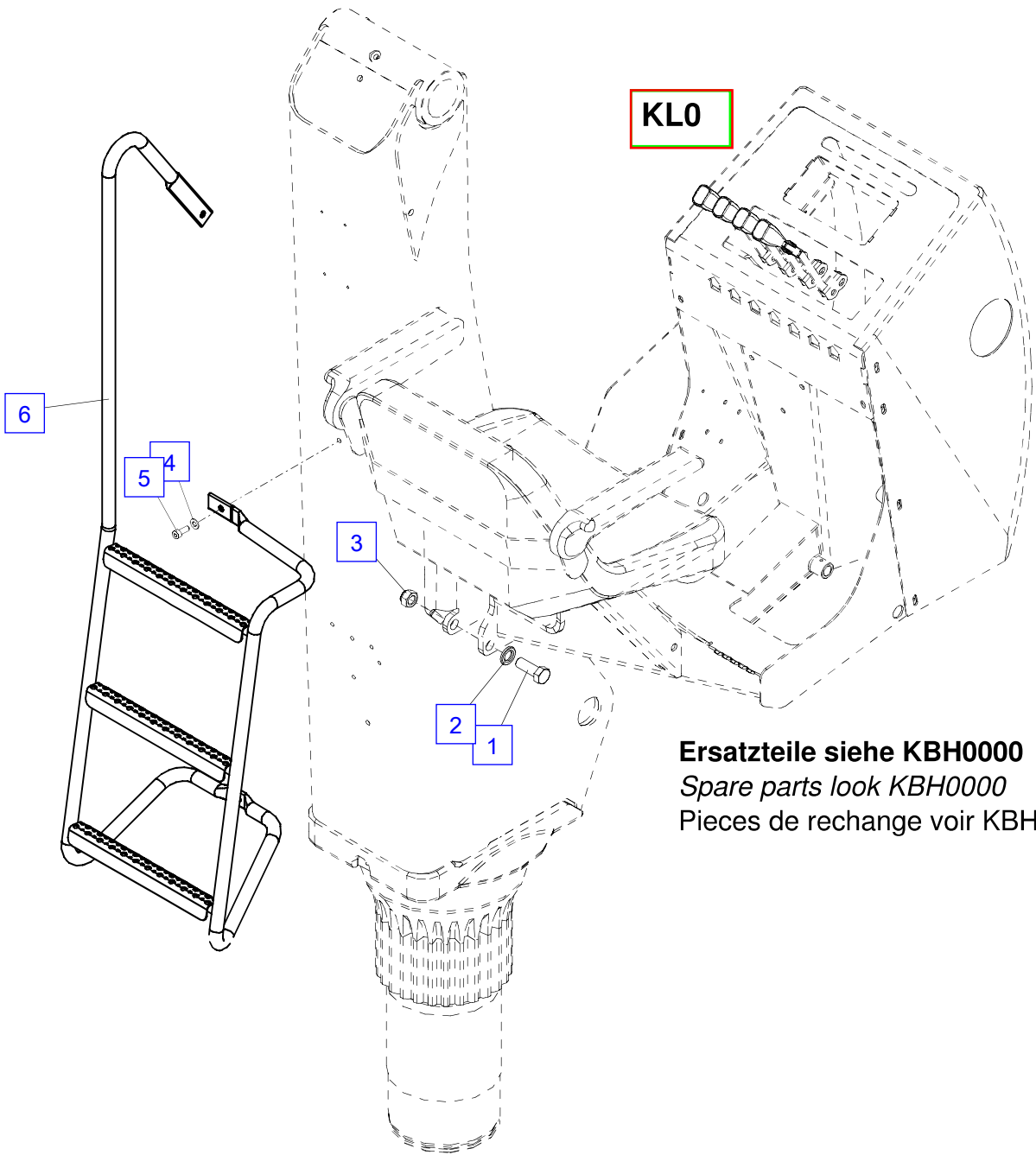
No.	Spare part	Qty.	Description	Dimension
1	EH5108	2	Hose (F)	NW 10x3700
2	EH5236	2	Hose (H)	NW 10x1800
3	EH5113	2	Hose (H)	NW 10x1150
4	HLR 8496	1	Pipe	D 12
5	EA 263	3	Angle fitting	EW 08S
6	HLA 804	2	Fitting	EGAI 08S R1/4"
7	EA1334	1	Fitting	TR 12/08/12S
8	HLR 9126	1	Pipe	D 12
9	UV392	1	Load holding valve	
10	ED 370	1	Sealing ring	KD 1/2"
11	EV 330	1	Hose break valve	R1/4"
12	HG 161	1	Housing	
13	EA 236	2	Locking screw	VSTI R 1/4"
14	EO 136	1	O-ring	D22x1.5
15	ER 314	1	Back up ring	D24,5xd22
16	HLA1013	1	Banjo bolt	
17	EV3941	1	Pressure relief valve	
	TD 842	1	Seal kit	
18	EM 256	1	Sealing nut	M 10x1
19	ES1455	1	Set screw	M 10x1x40
20	EZ1438	1	Sealing cap	
21	EA 260	1	Fitting	EGE 12 S R1/2"
22	EA 183	3	Fitting	GE 12S R1/2"-ED
23	EA 089	1	Fitting	GE 08S R1/4"-ED

**PALTRONIC**



## Top seat

No.	Spare part	Qty.	Description	Dimension
1	ES 188	4	Screw	M 16x45 DIN 933-10.9
2	EK 358	4	Washer	D 17 DIN6916
3	EM 031	4	Nut	M 16 DIN 985
4	EK 003	3	Washer	D 8.4 ISO7089
5	ES 265	3	Screw	M 8x20 ISO4762- 8.8
6	HXE2041	1	Ladder	

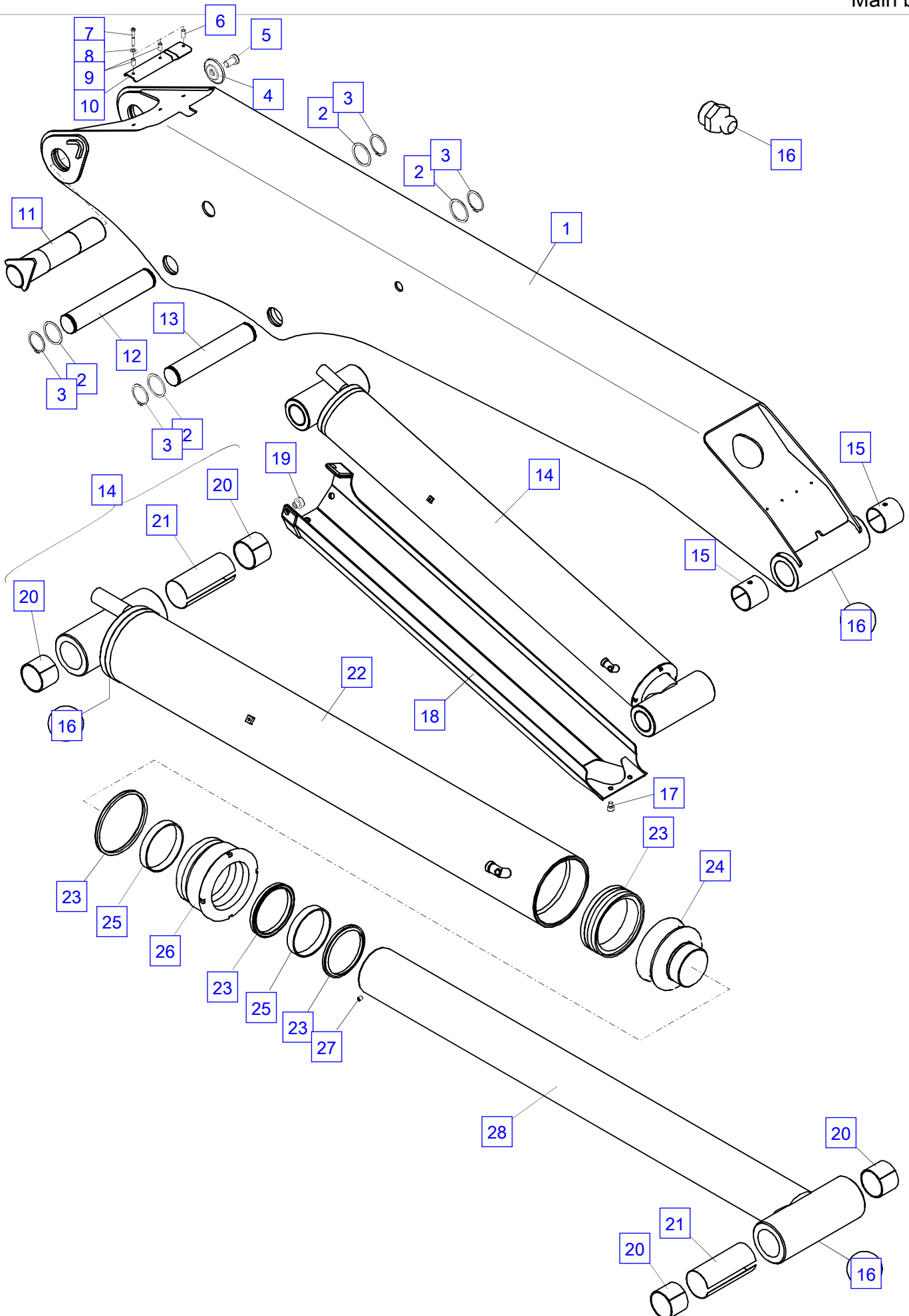


**Ersatzteile siehe KBH0000**  
*Spare parts look KBH0000*  
Pièces de rechange voir KBH0000

Main boom

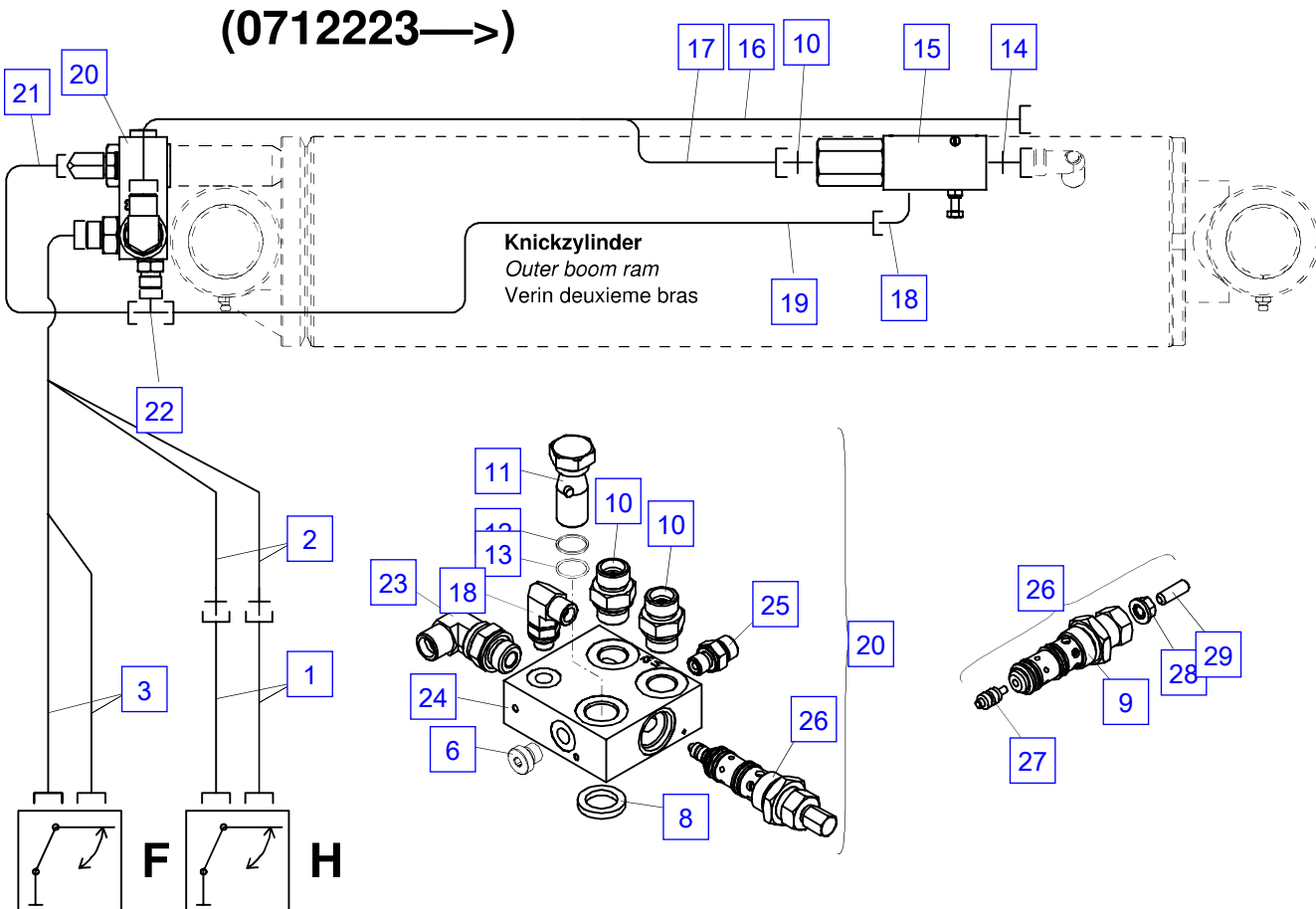
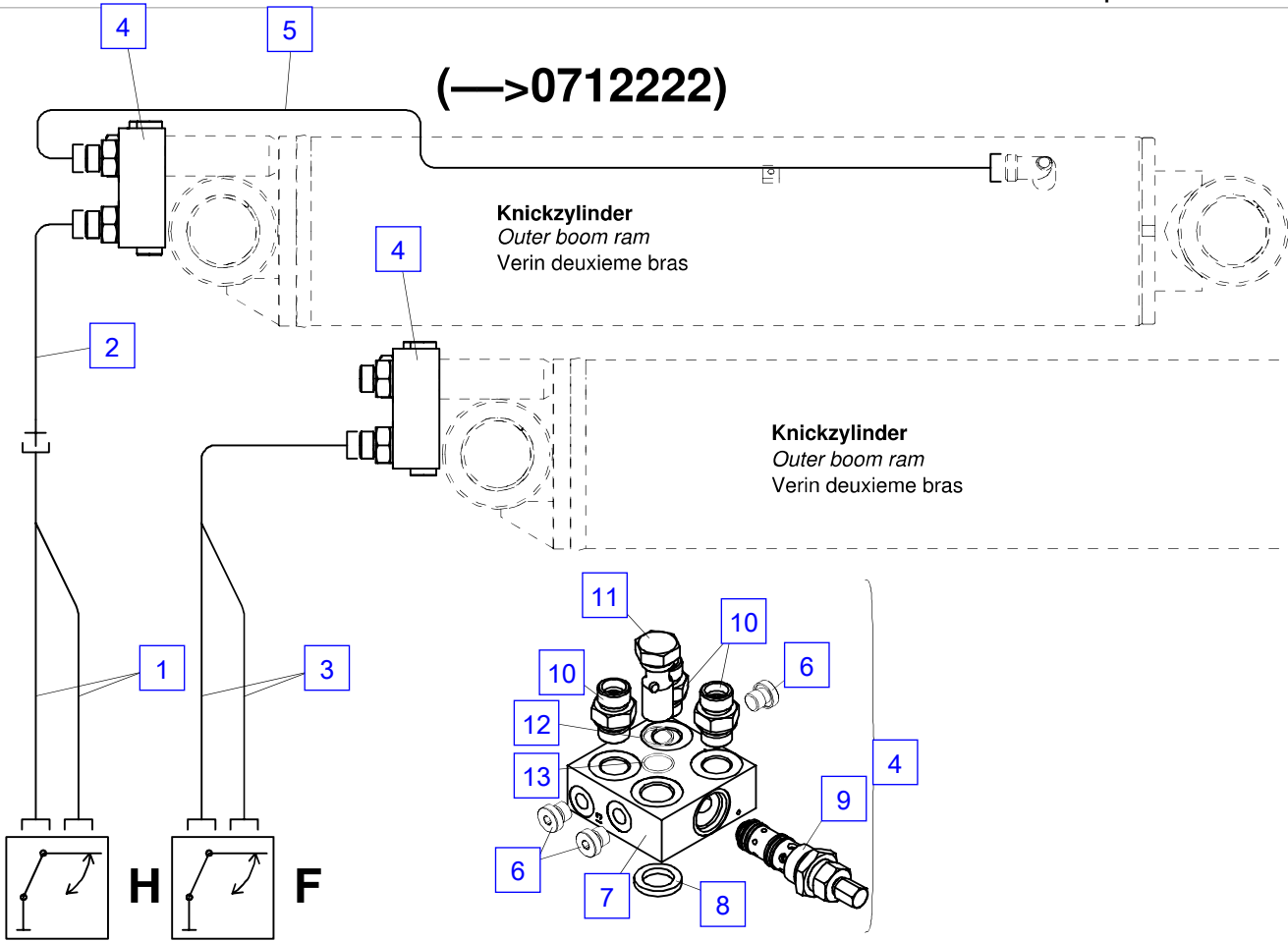
No.	Spare part	Qty.	Description	Dimension
1	S206H01SA+00001	1	Main boom (Standard colour RAL 2002)	
2	HBS 874	4	Spacer	2 mm
2	HBS 998	4	Spacer	1.5 mm
3	EQ 086	4	Circlip	D 50 DIN 471
4	HB 130	1	Washer	S0013 L0013 D0065
	HT16348	1	Spacer	D=35 s=1.5 mm
5	ES 505	1	Screw	M 16x30 ISO4762 10.9
5	ES 979	1	Screw	M 16x25 DIN7984 8.8
6	HBS3507	1	Spacer	L=18 mm
7	ES 103	3	Screw	M 6x45 DIN 6912 8.8
8	EK 043	3	Washer	D 6.4 DIN 134
9	HBS3508	2	Spacer	D10.0xd7.0xL=14.5 mm
10	HA3093	1	Hose clamp	S003.0 B043.5 L190.0
11	HIG 660	1	Pin	
12	HI2895	1	Pin	D050.0xL0282.0
13	HI2932	1	Pin	
14	UP1449	1	Outer boom ram	Cr
15	ELG 011	2	Bearing bush	D 60x65x60
16	EA 005	3	Grease nipple	M10x1 DIN71412
17	ES 653	2	Screw	M 10x12 ISO4762- 8.8
18	HXE2119	1	Protecting sheet	
19	HF 109	4	Guide	12 mm
20	ELG 002	4	Bearing bush	D 50x55x40
21	HBD 300	2	Spacer	
22	HY1351	1	Cylinder tube	
23	TD 525	1	Seal kit (+25)	
24	HK 362A	1	Piston	D125xL085.0 M075x2.0
25	EG 037	2	Guide ring	95 x 90 x 15
26	HV 363	1	Cylinder nut	M131x2.5 d090xL085
27	ES 030	1	Set screw	M 8x8 DIN 913
28	HSK1217	1	Piston rod	





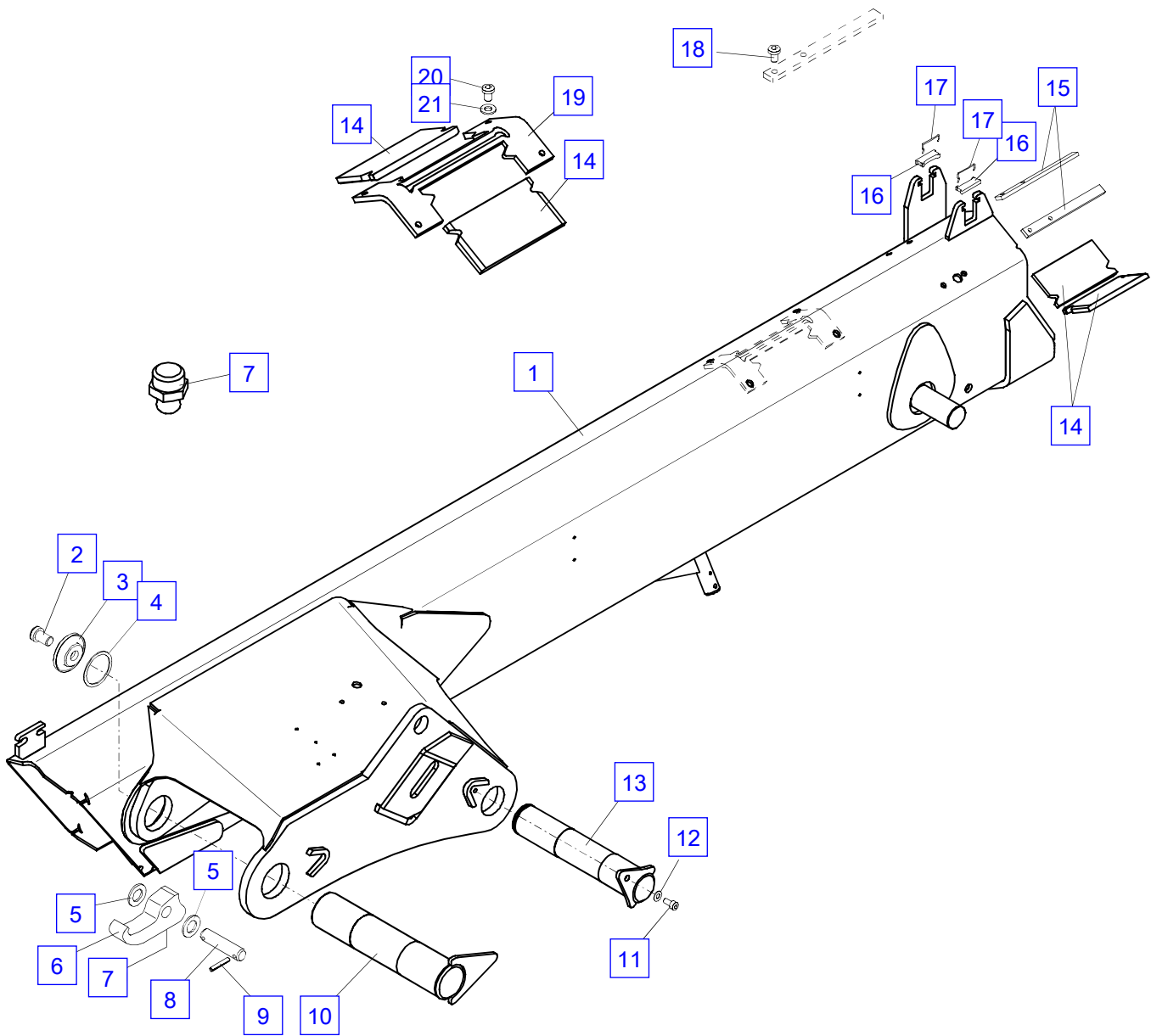
Pipes-Outer boom ram

No.	Spare part	Qty.	Description	Dimension
1	EH5236	2	Hose (H)	NW 10x1800
2	EH5114	2	Hose (H)	NW 10x1300
3	EH5109	2	Hose (F)	NW 10x3950
4	UV426-330	1	Load holding valve	
5	HLR 8495	1	Pipe	D 12
6	EA 236	3	Locking screw	VSTI R 1/4"
7	HG 142	1	Housing	
8	ED 370	1	Sealing ring	KD 1/2"
9	EV2151	1	Pressure relief valve	
	TD 853	1	Seal kit	
10	EA 183	4	Fitting	GE 12S R1/2"-ED
11	HLA 789A	1	Banjo bolt	1/2"
12	ER 223	1	Back up ring	D19x1,5
13	EO 208	1	O-ring	D 19x1.5
14	EA 260	1	Fitting	EGE 12 S R1/2"
15	EV 636	1	Load holding valve	
16	HLR 9093	1	Pipe	D 12
17	HLR10340	1	Pipe	D 12
18	EA1747	2	Adaptor	WEE 08S R1/4"
19	HLR10341	1	Pipe	D 08
20	UV452-330	1	Load holding valve	
21	HLR 9107	1	Pipe (Type standard)	D 8
21	HLR10342	1	Pipe for EV 636	D 08
22	EA1544	1	Fitting	ET 08 S
23	EA1875	1	Adaptor	WEE 12S R1/2"
24	HG 175	1	Valve casing, cpl.	
25	EA 089	1	Fitting	GE 08S R1/4"-ED
26	EV 612	1	Valve cartridge	
	TD 204	1	Seal kit	
27	EV2152	1	Pressure compensator	
28	EM 199	1	Sealing nut	M 8x1.5
29	ES1036	1	Set screw	M 8x20 DIN 916



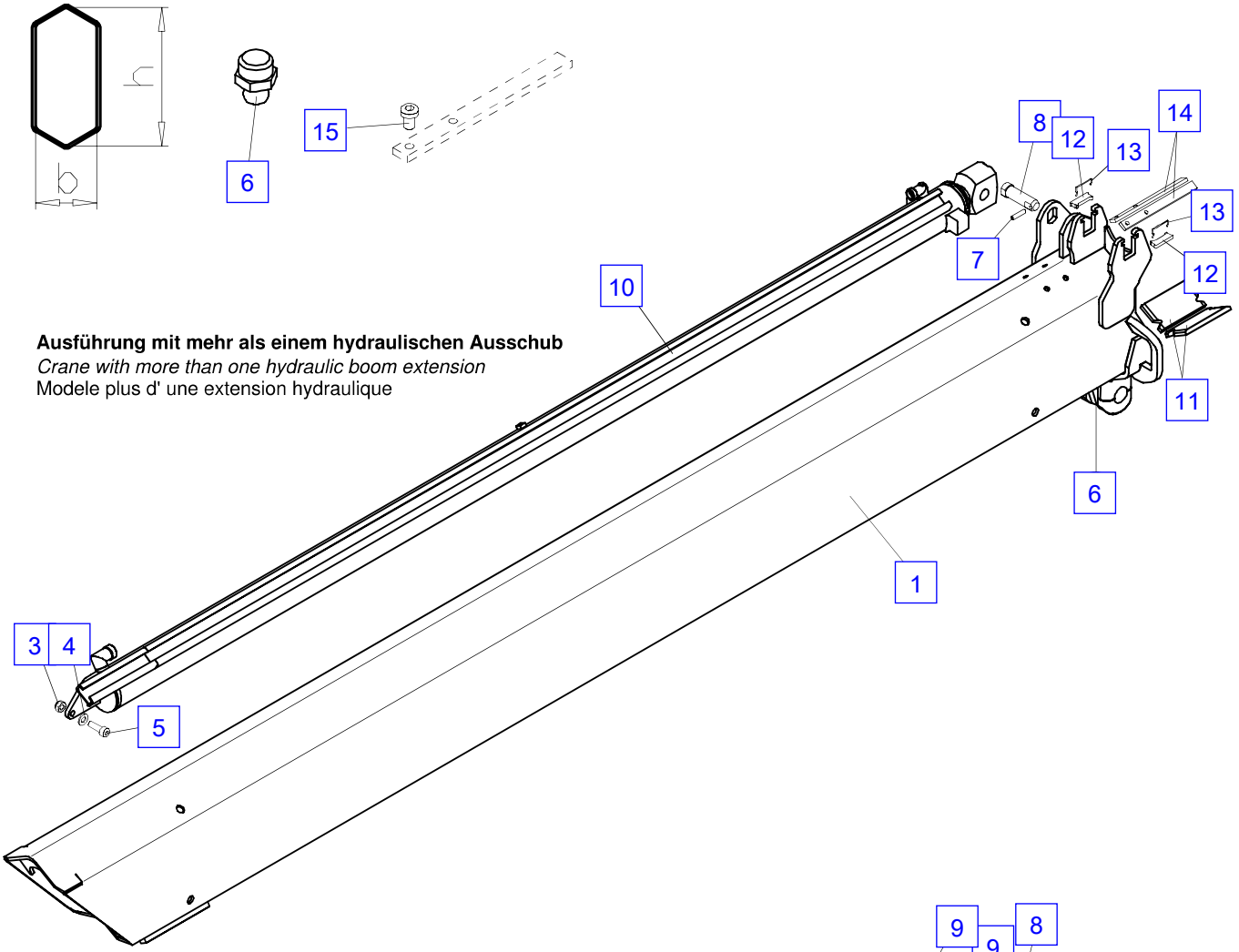
Outer boom

No.	Spare part	Qty.	Description	Dimension
1	S206K02SA+00001	1	Outer boom (Standard colour RAL 2002) Without rope winch	
2	ES 505	1	Screw	M 16x30 ISO4762 10.9
2	ES 979	1	Screw	M 16x25 DIN7984 8.8
3	HB 130	1	Washer	S0013 L0013 D0065
	HT16348	1	Spacer	D=35 s=1.5 mm
4	HBS 998	1	Spacer	1.5 mm
5	EK 176	2	Washer	D021.0xD037.0 ISO7089
6	HT5796	1	Locking hook	
7	EA 005	1	Grease nipple	M10x1 DIN71412
8	HI 680	1	Pin	
9	EQ 056	2	Winding pin	D 6x40 DIN 1481
10	HIG 660	1	Pin	
11	ES 264	1	Screw	M8x16 ISO4762- 8.8
12	EK 003	1	Washer	D 8.4 ISO7089
13	HI 645	1	Pin	
14	HF 846A	4	Guide block	8 mm
14	HF 847A	4	Guide block	9 mm
14	HF 848A	4	Guide block	10 mm
14	HF 849A	4	Guide block	11 mm
14	HF 850A	4	Guide block	12 mm
14	HF 851A	4	Guide block	13 mm
15	HTR2951	2	Guide block	6 mm
15	HTR2952	2	Guide block	8 mm
15	HTR2953	2	Guide block	10 mm
15	HTR2982	2	Guide block	1 mm
16	HT5746	2	Bearer	L=42 B=15 S=6
17	EF 144	2	Spring	
18	ES1082	4	Screw	M 8x12 DIN 7984 8.8
18	ES1089	4	Screw	M 8x10 DIN 7984 8.8
19	HA3737A	1	Bearer	L0211xB0110xS006
20	ES1082	4	Screw	M 8x12 DIN 7984 8.8
21	EK 003	4	Washer	D 8.4 ISO7089

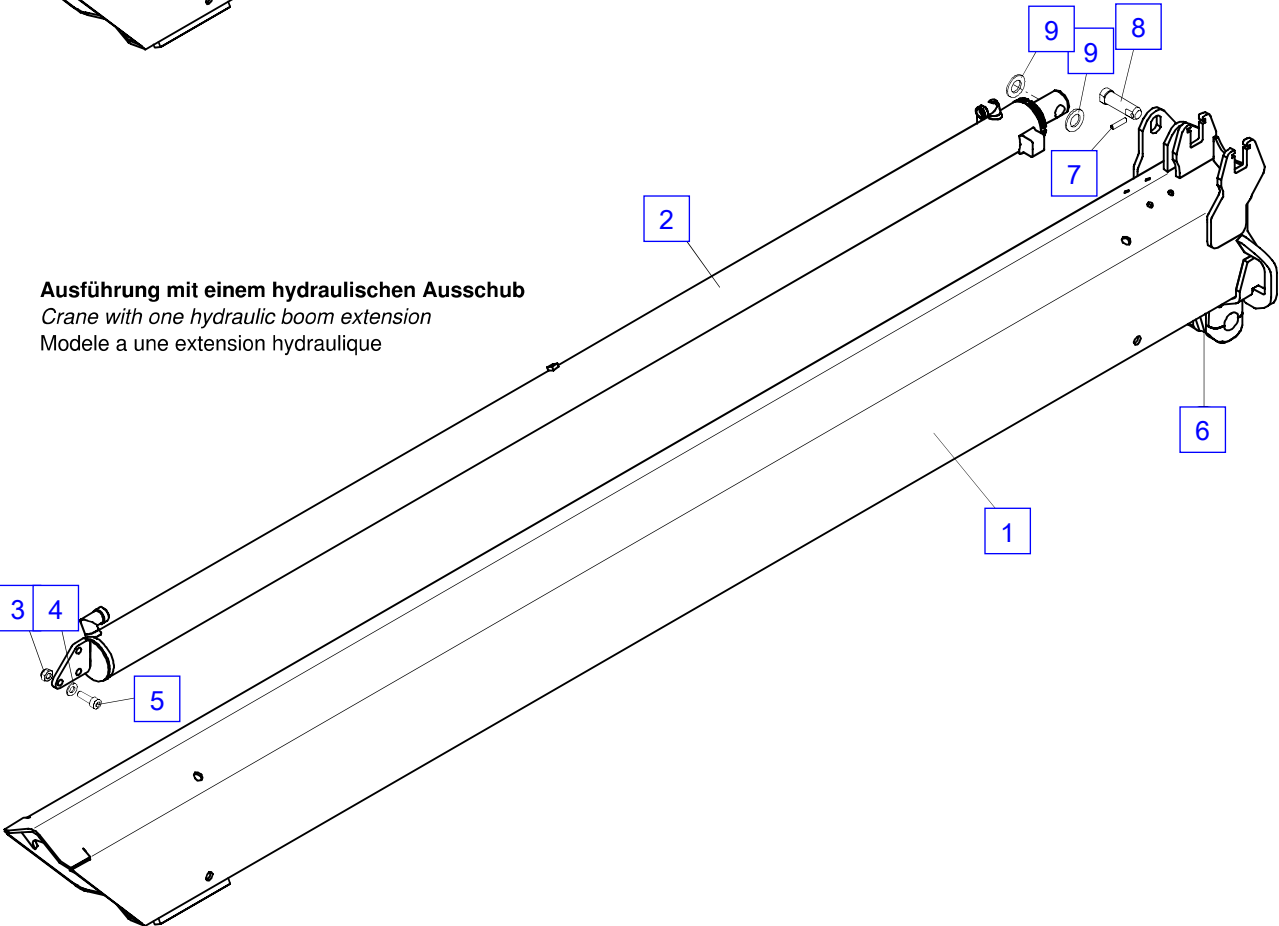


Boom extension 1

No.	Spare part	Qty.	Description	Dimension
1	S106T01-A	1	Boom extension	260x140 mm
2	UP2075	1	Extension boom ram-1 see page 070.0600	
3	EM 021	2	Nut	DIN 985 M10 CL8 ZB
4	EK 007	2	Washer	D 10.5 ISO7089
5	ES 276	2	Screw	M 10x30 ISO4762- 8.8
6	EA 005	1	Grease nipple	M10x1 DIN71412
7	EQ 218	1	Winding pin	D 6x30 ISO8752
8	HI 704	1	Pin	D020.0xL0055.0
9	EK 176	2	Washer	D021.0xD037.0 ISO7089
10	UP1452	1	Extension boom ram-II see page 070.0600	
11	HF 840A	2	Guide block	8 mm
11	HF 841A	2	Guide block	9 mm
11	HF 842A	2	Guide block	10 mm
11	HF 843A	2	Guide block	11 mm
11	HF 844A	2	Guide block	12 mm
11	HF 845A	2	Guide block	13 mm
12	HT5746	2	Bearer	L=42 B=15 S=6
13	EF 144	2	Spring	
14	HTR2951	2	Guide block	6 mm
14	HTR2952	2	Guide block	8 mm
14	HTR2953	2	Guide block	10 mm
14	HTR2982	2	Guide block	1 mm
15	ES1082	4	Screw	M 8x12 DIN 7984 8.8
15	ES1089	4	Screw	M 8x10 DIN 7984 8.8



**Ausführung mit mehr als einem hydraulischen Ausschub**  
*Crane with more than one hydraulic boom extension*  
Modele plus d' une extension hydraulique

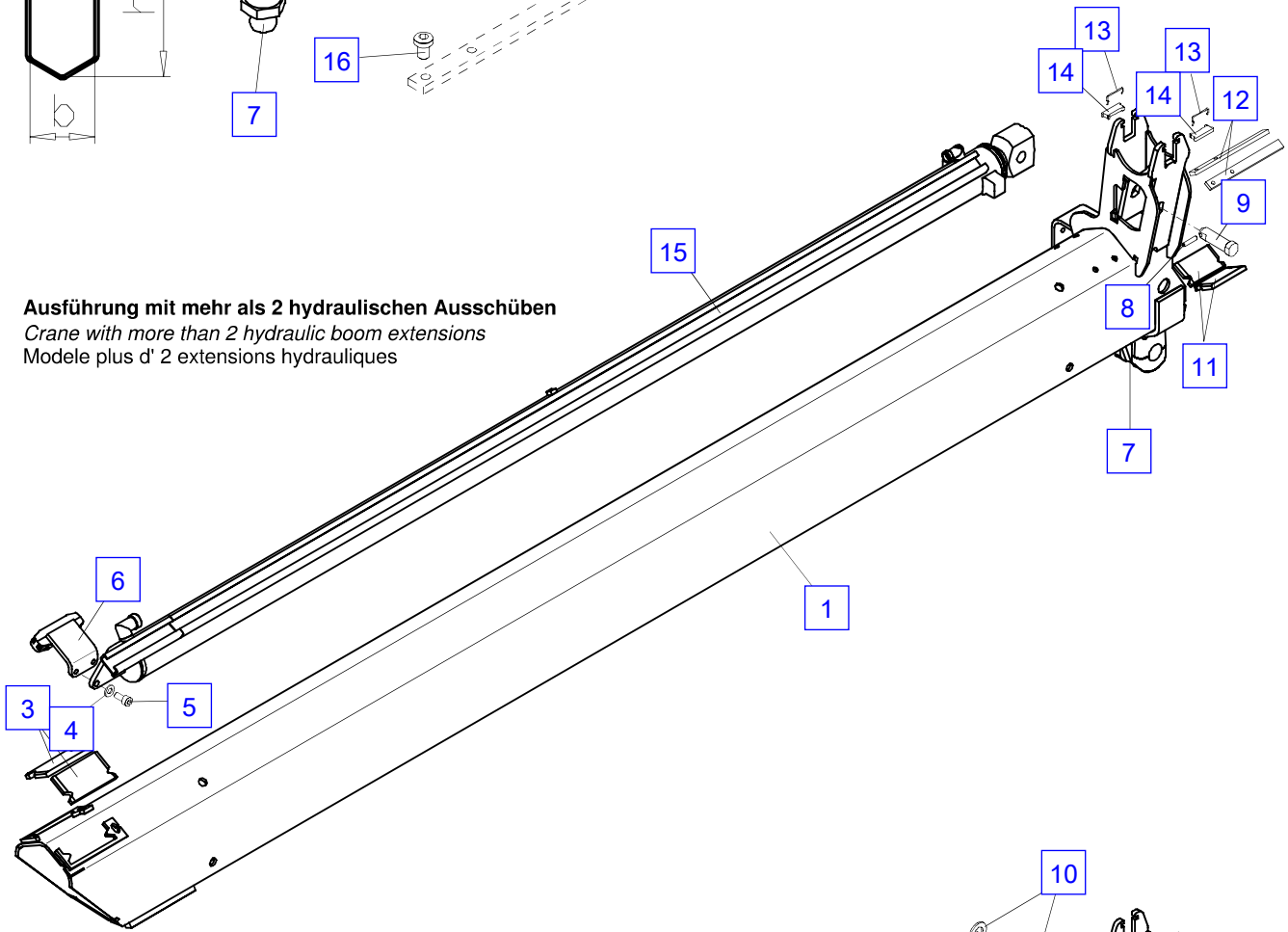
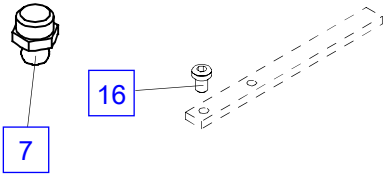
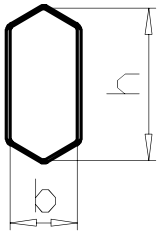


**Ausführung mit einem hydraulischen Ausschub**  
*Crane with one hydraulic boom extension*  
Modele a une extension hydraulique

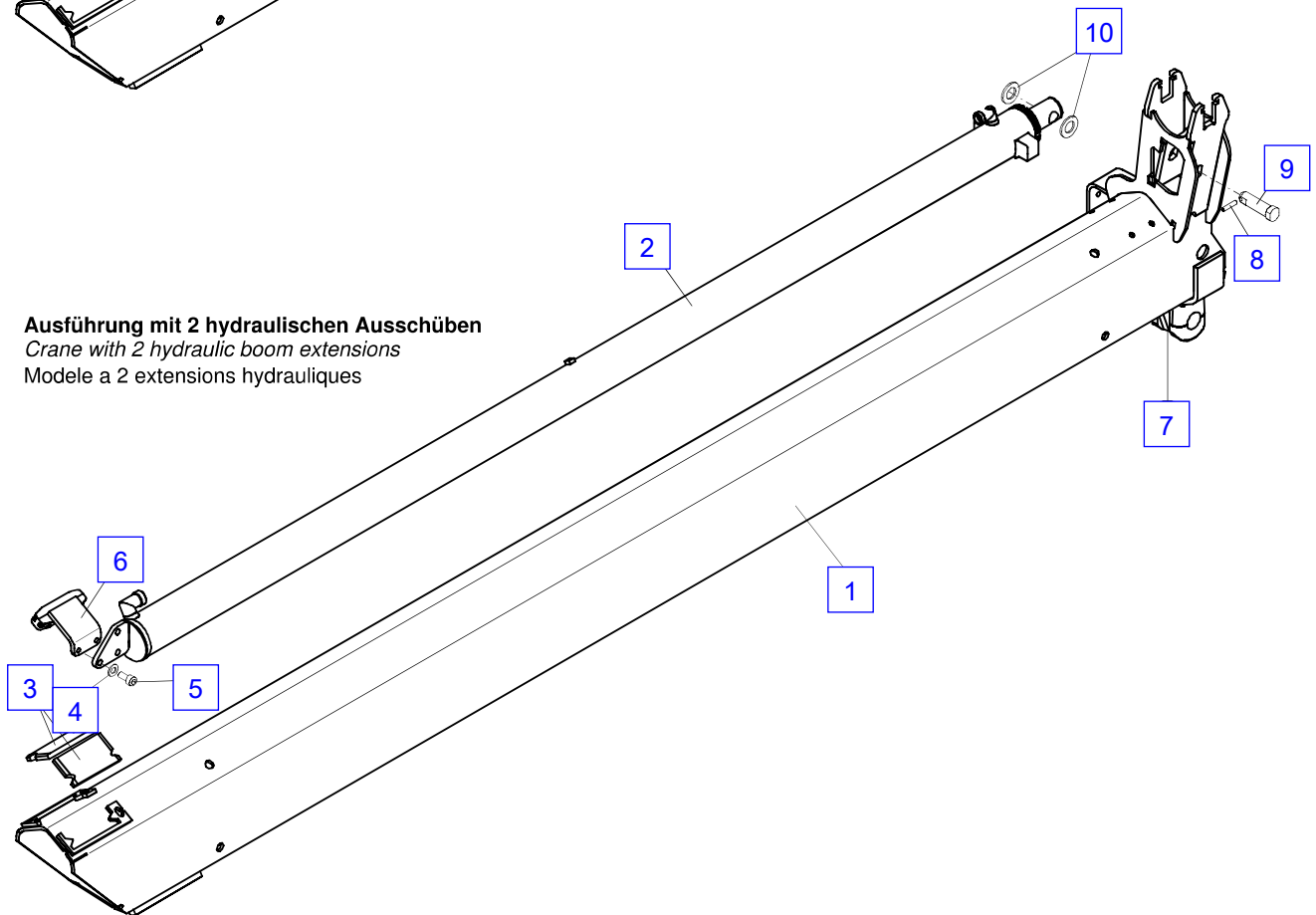
Boom extension 2

No.	Spare part	Qty.	Description	Dimension
1	1160-711	1	Boom extensions	224x120 mm
2	UP2075	1	Extension boom ram-1 see page 070.0600	
3	HF 840A	2	Guide block	8 mm
3	HF 841A	2	Guide block	9 mm
3	HF 842A	2	Guide block	10 mm
3	HF 843A	2	Guide block	11 mm
3	HF 844A	2	Guide block	12 mm
3	HF 845A	2	Guide block	13 mm
4	EK 007	2	Washer	D 10.5 ISO7089
5	ES 050	2	Screw	M 10x20 ISO4762-10.9
6	HXE1679B	1	Cylinder guide	
	EM 006	2	Nut	DIN 934 M10 CL8 ZB
	EZ2402A	1	Guide block	
	ES 828	2	Screw	M 10x40 ISO14581-8.8
7	EA 005	1	Grease nipple	M10x1 DIN71412
8	EQ 218	1	Winding pin	D 6x30 ISO8752
9	HI 704	1	Pin	D020.0xL0055.0
10	EK 176	2	Washer	D021.0xD037.0 ISO7089
11	HF 834A	2	Guide block	8 mm
11	HF 835A	2	Guide block	9 mm
11	HF 836A	2	Guide block	10 mm
11	HF 838A	1	Guide block	12 mm
11	HF 835A	1	Guide block	9 mm
11	HF 834A	1	Guide block	8 mm
11	HF 837A	2	Guide block	11 mm
11	HF 838A	2	Guide block	12 mm
11	HF 839A	2	Guide block	13 mm
12	HTR2951	2	Guide block	6 mm
12	HTR2952	2	Guide block	8 mm
12	HTR2953	2	Guide block	10 mm
12	HTR2982	2	Guide block	1 mm
13	EF 144	2	Spring	
14	HT5746	2	Bearer	L=42 B=15 S=6
15	UP1452	1	Extension boom ram-II see page 070.0600	
16	ES1082	4	Screw	M 8x12 DIN 7984 8.8
16	ES1089	4	Screw	M 8x10 DIN 7984 8.8





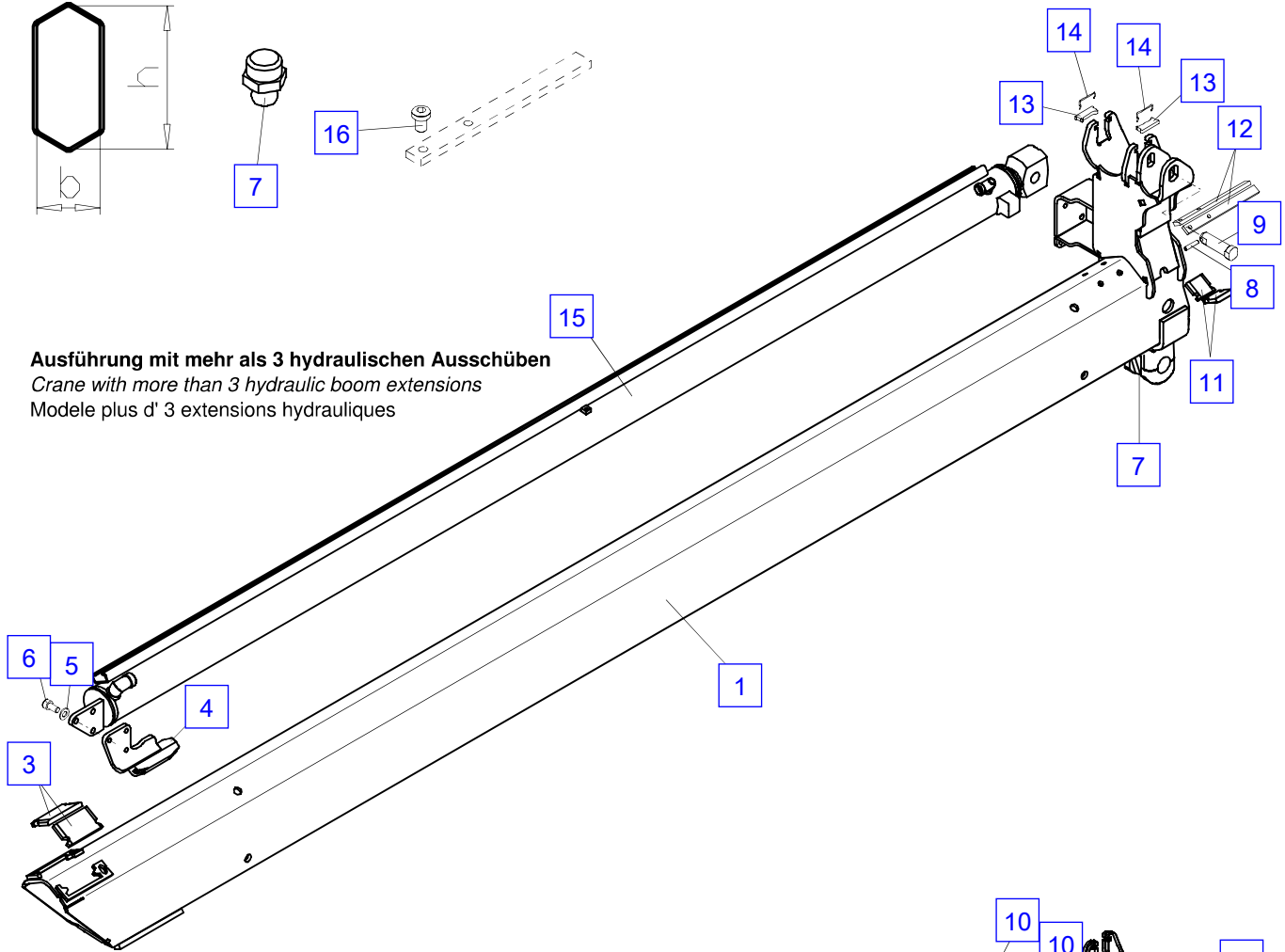
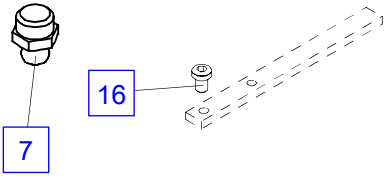
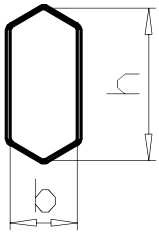
**Ausführung mit mehr als 2 hydraulischen Ausschüben**  
*Crane with more than 2 hydraulic boom extensions*  
 Modele plus d' 2 extensions hydrauliques



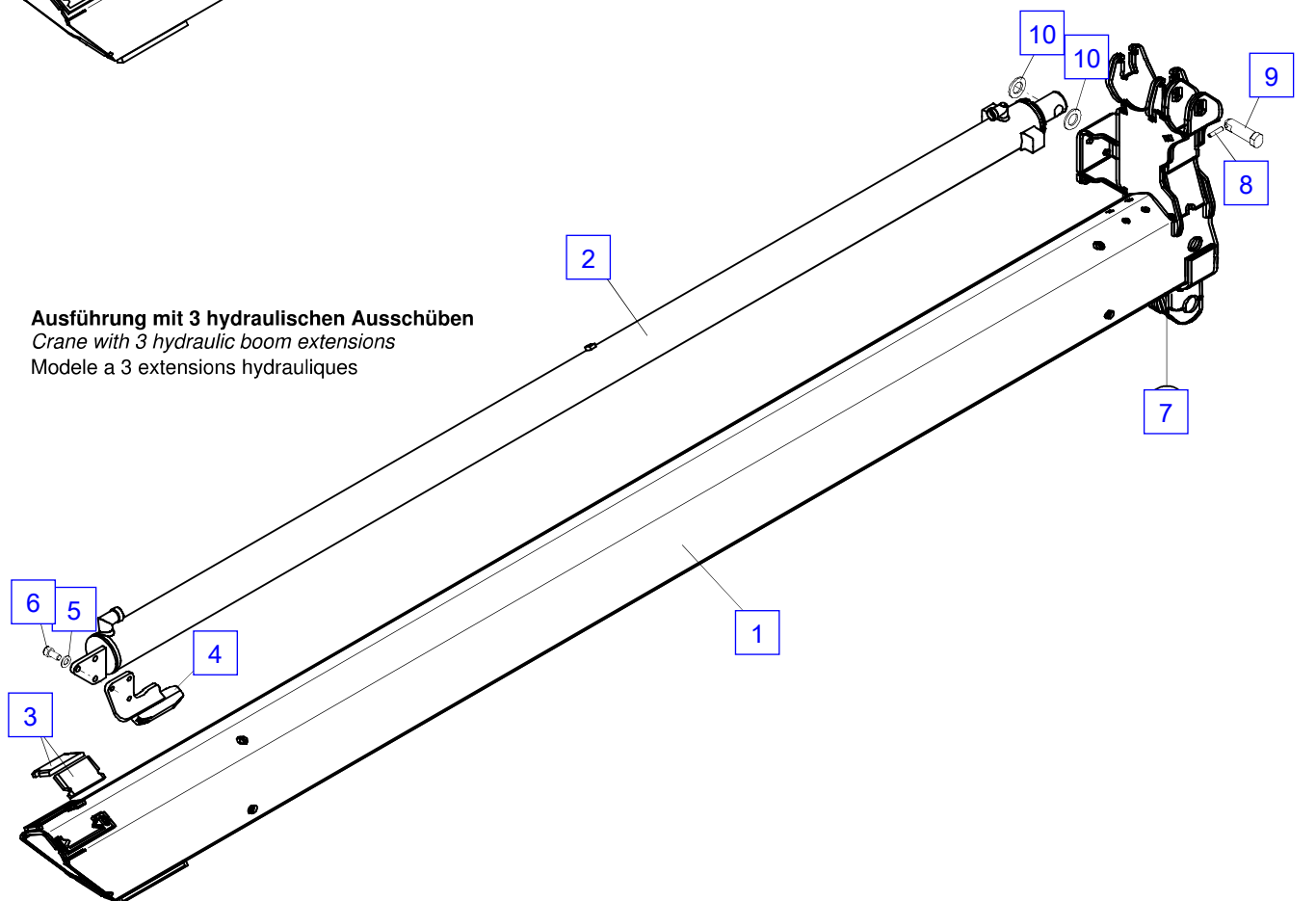
**Ausführung mit 2 hydraulischen Ausschüben**  
*Crane with 2 hydraulic boom extensions*  
 Modele a 2 extensions hydrauliques

Boom extension 3

No.	Spare part	Qty.	Description	Dimension
1	1160-712	1	Boom extensions	188x98 mm
2	UP1454	1	Extension boom ram see page 070.0600	
3	HF 834A	2	Guide block	8 mm
3	HF 835A	2	Guide block	9 mm
3	HF 836A	2	Guide block	10 mm
3	HF 838A	1	Guide block	12 mm
3	HF 835A	1	Guide block	9 mm
3	HF 834A	1	Guide block	8 mm
3	HF 837A	2	Guide block	11 mm
3	HF 838A	2	Guide block	12 mm
3	HF 839A	2	Guide block	13 mm
4	HXE1624A	1	Cylinder guide	
	EM 006	2	Nut	DIN 934 M10 CL8 ZB
	EZ2402A	1	Guide block	
	ES 828	2	Screw	M 10x40 ISO14581-8.8
5	EK 007	3	Washer	D 10.5 ISO7089
6	ES 050	3	Screw	M 10x20 ISO4762-10.9
7	EA 005	1	Grease nipple	M10x1 DIN71412
8	EQ 218	1	Winding pin	D 6x30 ISO8752
9	HI 704	1	Pin	D020.0xL0055.0
10	EK 176	2	Washer	D021.0xD037.0 ISO7089
11	HF 829	2	Guide block	8 mm
11	HF 830	2	Guide block	9 mm
11	HF 831	2	Guide block	10 mm
11	HF 832	2	Guide block	11 mm
11	HF 833	2	Guide block	12 mm
12	HTR2951	2	Guide block	6 mm
12	HTR2952	2	Guide block	8 mm
12	HTR2953	2	Guide block	10 mm
12	HTR2982	2	Guide block	1 mm
13	HT5746	2	Bearer	L=42 B=15 S=6
14	EF 144	2	Spring	
15	UP1453	1	Extension boom ram-3 see page 070.0600	
16	ES1082	4	Screw	M 8x12 DIN 7984 8.8
16	ES1089	4	Screw	M 8x10 DIN 7984 8.8



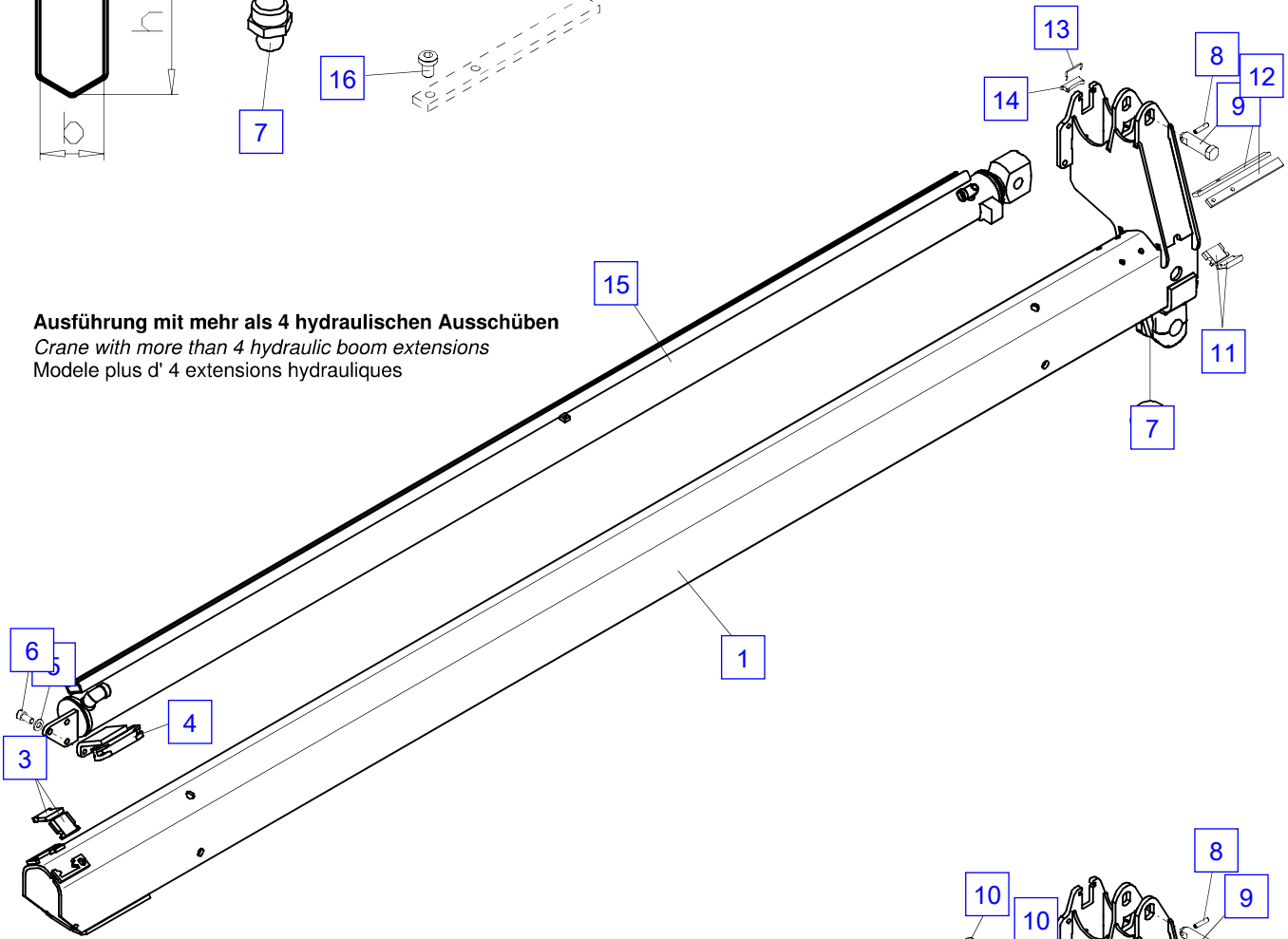
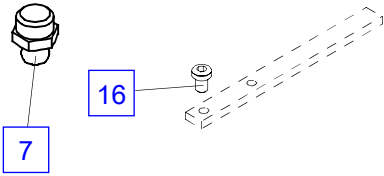
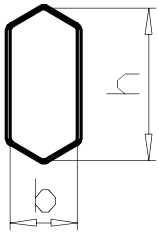
**Ausführung mit mehr als 3 hydraulischen Ausschüben**  
 Crane with more than 3 hydraulic boom extensions  
 Modele plus d' 3 extensions hydrauliques



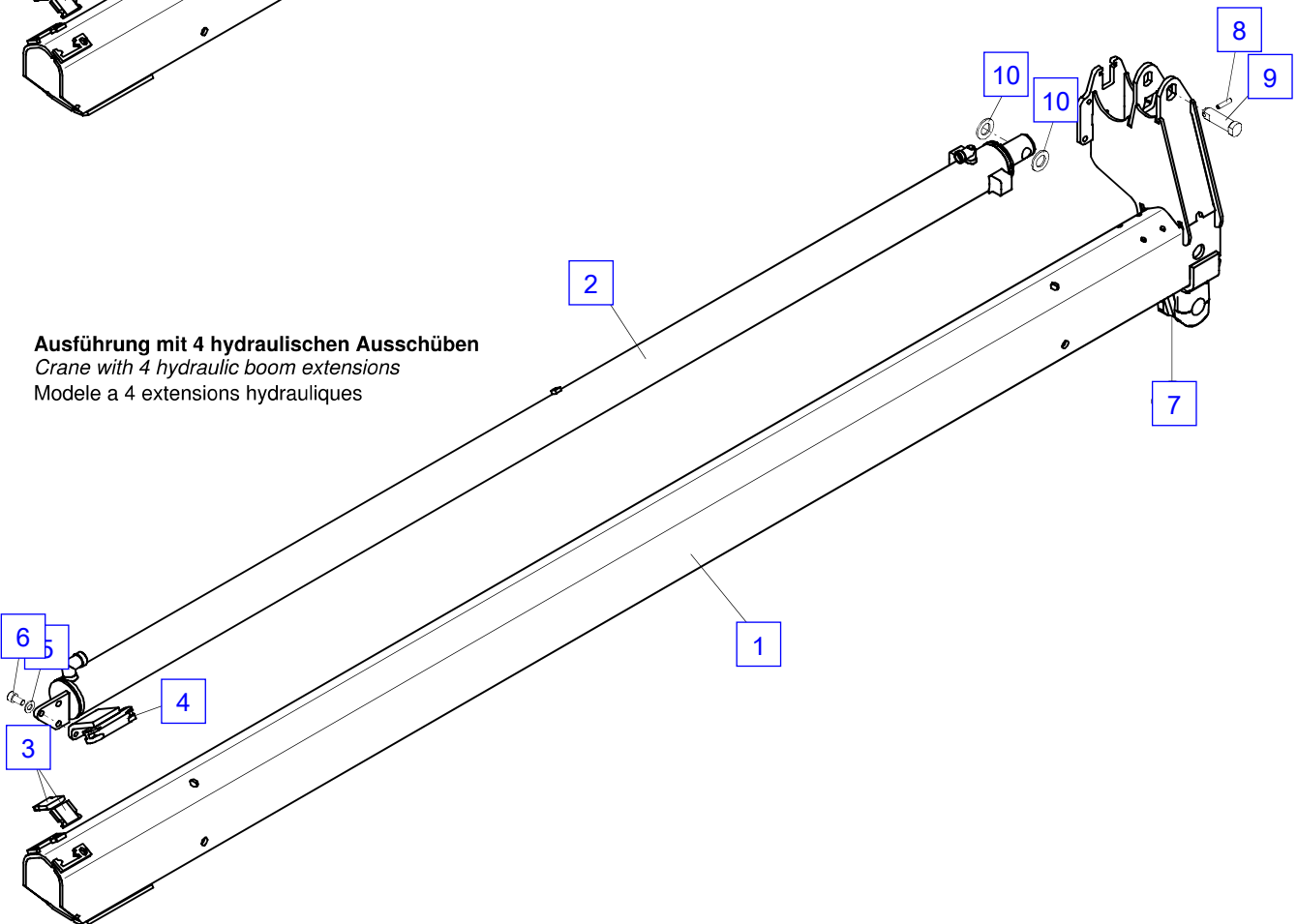
**Ausführung mit 3 hydraulischen Ausschüben**  
 Crane with 3 hydraulic boom extensions  
 Modele a 3 extensions hydrauliques

Boom extension 4

No.	Spare part	Qty.	Description	Dimension
1	1160-713	1	Boom extensions	155x79 mm
2	UP1454	1	Extension boom ram see page 070.0600	
3	HF 829	2	Guide block	8 mm
3	HF 830	2	Guide block	9 mm
3	HF 831	2	Guide block	10 mm
3	HF 832	2	Guide block	11 mm
3	HF 833	2	Guide block	12 mm
4	HXE1679B	1	Cylinder guide	
	EM 006	2	Nut	DIN 934 M10 CL8 ZB
	EZ2402A	1	Guide block	
	ES 828	2	Screw	M 10x40 ISO14581-8.8
5	EK 007	2	Washer	D 10.5 ISO7089
6	ES 050	2	Screw	M 10x20 ISO4762-10.9
7	EA 005	1	Grease nipple	M10x1 DIN71412
8	EQ 218	1	Winding pin	D 6x30 ISO8752
9	HI 704	1	Pin	D020.0xL0055.0
10	EK 176	2	Washer	D021.0xD037.0 ISO7089
11	HF 824	2	Guide block	8 mm
11	HF 825	2	Guide block	9 mm
11	HF 826	2	Guide block	10 mm
11	HF 827	2	Guide block	11 mm
11	HF 828	2	Guide block	12 mm
12	HTR2951	2	Guide block	6 mm
12	HTR2952	2	Guide block	8 mm
12	HTR2953	2	Guide block	10 mm
12	HTR2982	2	Guide block	1 mm
13	EF 144	1	Spring	
14	HT5746	1	Bearer	L=42 B=15 S=6
15	UP1453	1	Extension boom ram-3 see page 070.0600	
16	ES1082	4	Screw	M 8x12 DIN 7984 8.8
16	ES1089	4	Screw	M 8x10 DIN 7984 8.8



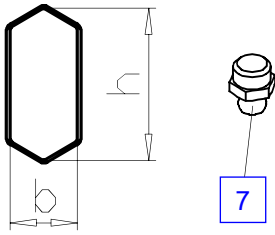
**Ausführung mit mehr als 4 hydraulischen Ausschüben**  
*Crane with more than 4 hydraulic boom extensions*  
Modele plus d' 4 extensions hydrauliques



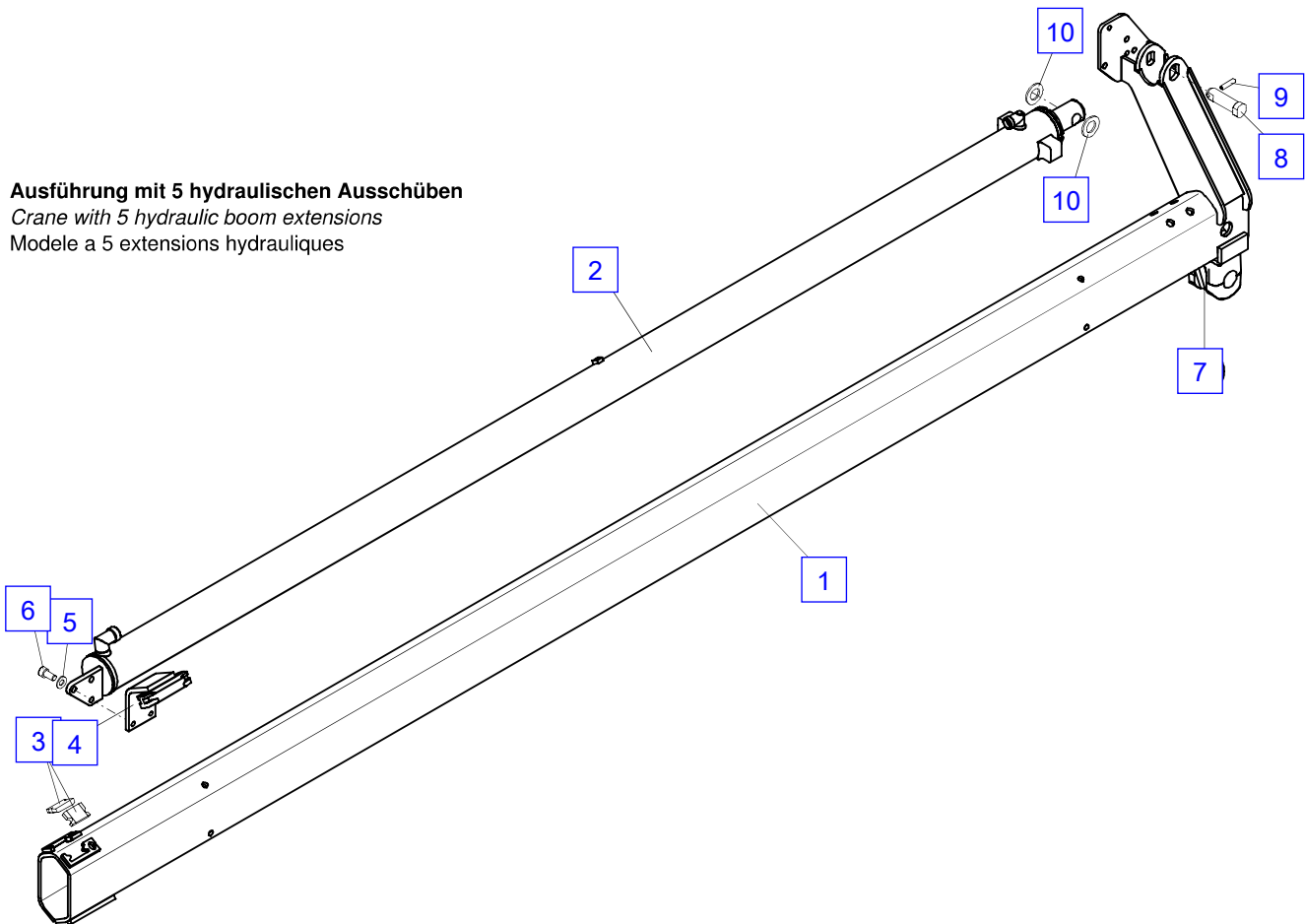
**Ausführung mit 4 hydraulischen Ausschüben**  
*Crane with 4 hydraulic boom extensions*  
Modele a 4 extensions hydrauliques

Boom extension 5

No.	Spare part	Qty.	Description	Dimension
1	1160-714	1	Boom extensions	123x62 mm
2	UP1454	1	Extension boom ram see page 070.0600	
3	HF 824	2	Guide block	8 mm
3	HF 825	2	Guide block	9 mm
3	HF 826	2	Guide block	10 mm
3	HF 827	2	Guide block	11 mm
3	HF 828	2	Guide block	12 mm
4	HXE1623A	1	Cylinder guide	
	EZ2402A	1	Guide block	
	ES 828	2	Screw	M 10x40 ISO14581-8.8
	EM 006	2	Nut	DIN 934 M10 CL8 ZB
5	EK 007	2	Washer	D 10.5 ISO7089
6	ES 050	2	Screw	M 10x20 ISO4762-10.9
7	EA 005	1	Grease nipple	M10x1 DIN71412
8	HI 704	1	Pin	D020.0xL0055.0
9	EQ 218	1	Winding pin	D 6x30 ISO8752
10	EK 176	2	Washer	D021.0xD037.0 ISO7089



**Ausführung mit 5 hydraulischen Ausschüben**  
*Crane with 5 hydraulic boom extensions*  
Modele a 5 extensions hydrauliques

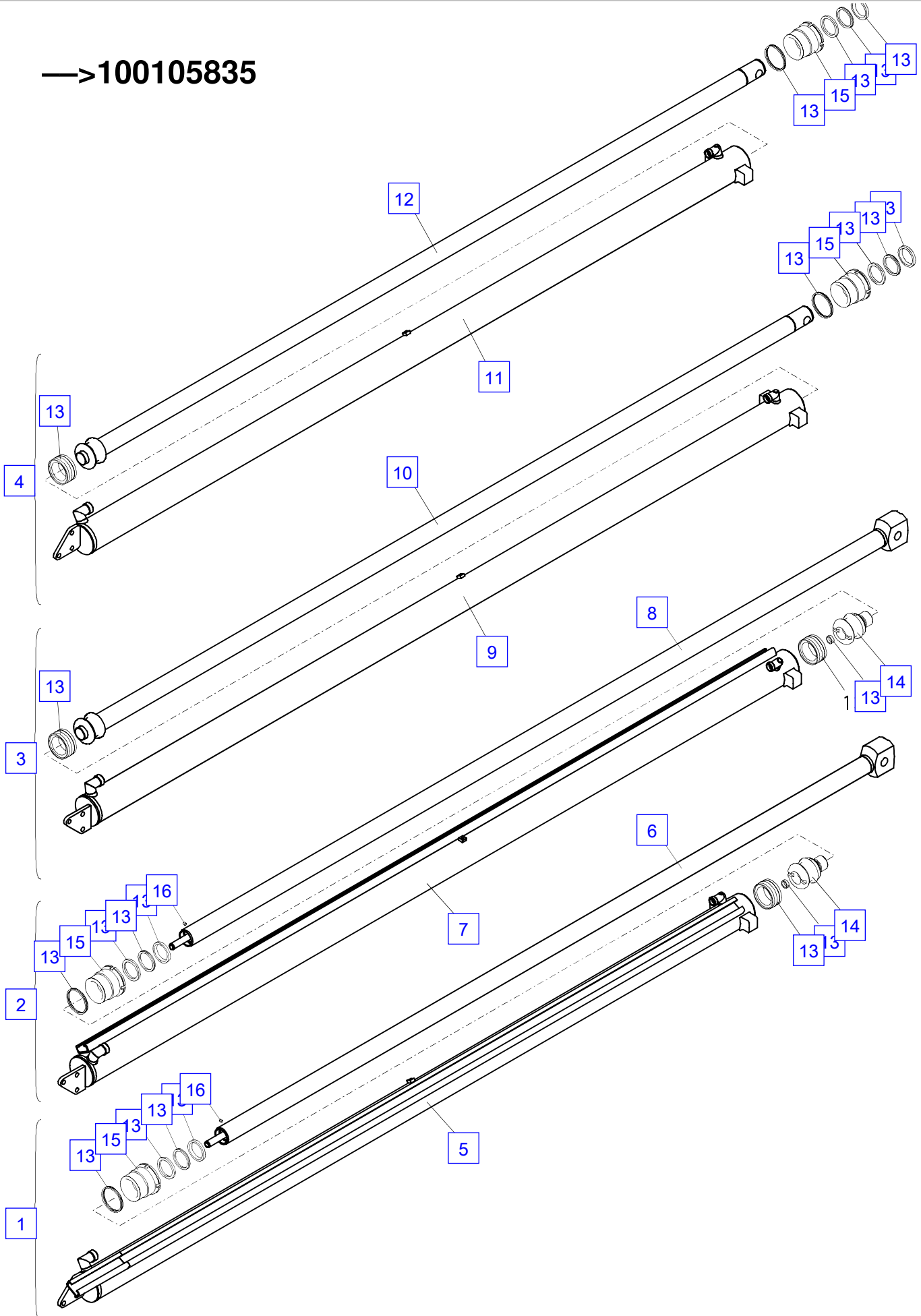


## Extension boom ram 1-5

No.	Spare part	Qty.	Description	Dimension
1	UP1452	1	Extension boom ram-II	
2	UP1453	1	Extension boom ram-3	
3	UP1454	1	Extension boom ram	
4	UP2075	1	Extension boom ram-1	
5	HY1353	1	Cylinder tube	d060
6	HSK1219	1	Piston rod	
7	HY1354	1	Cylinder tube	d060
8	HSK1220	1	Piston rod	Cr
9	HY1355	1	Cylinder tube	d060
10	HSK1221	1	Piston rod	D040xL.2225 Dzyl.060 Cr
11	HY1841	1	Cylinder tube	d060
12	HSK1266	1	Piston rod	D040xL.2075 Dzyl.060 Cr
13	TD 528	4	Seal kit	
14	HK 300	2	Piston	
15	HV 370	4	Cylinder nut	M064x2.0 d040xL060
16	ES 228	2	Set screw	M 6x6 DIN 913



—>100105835



## Pipes-Boom extens.ram

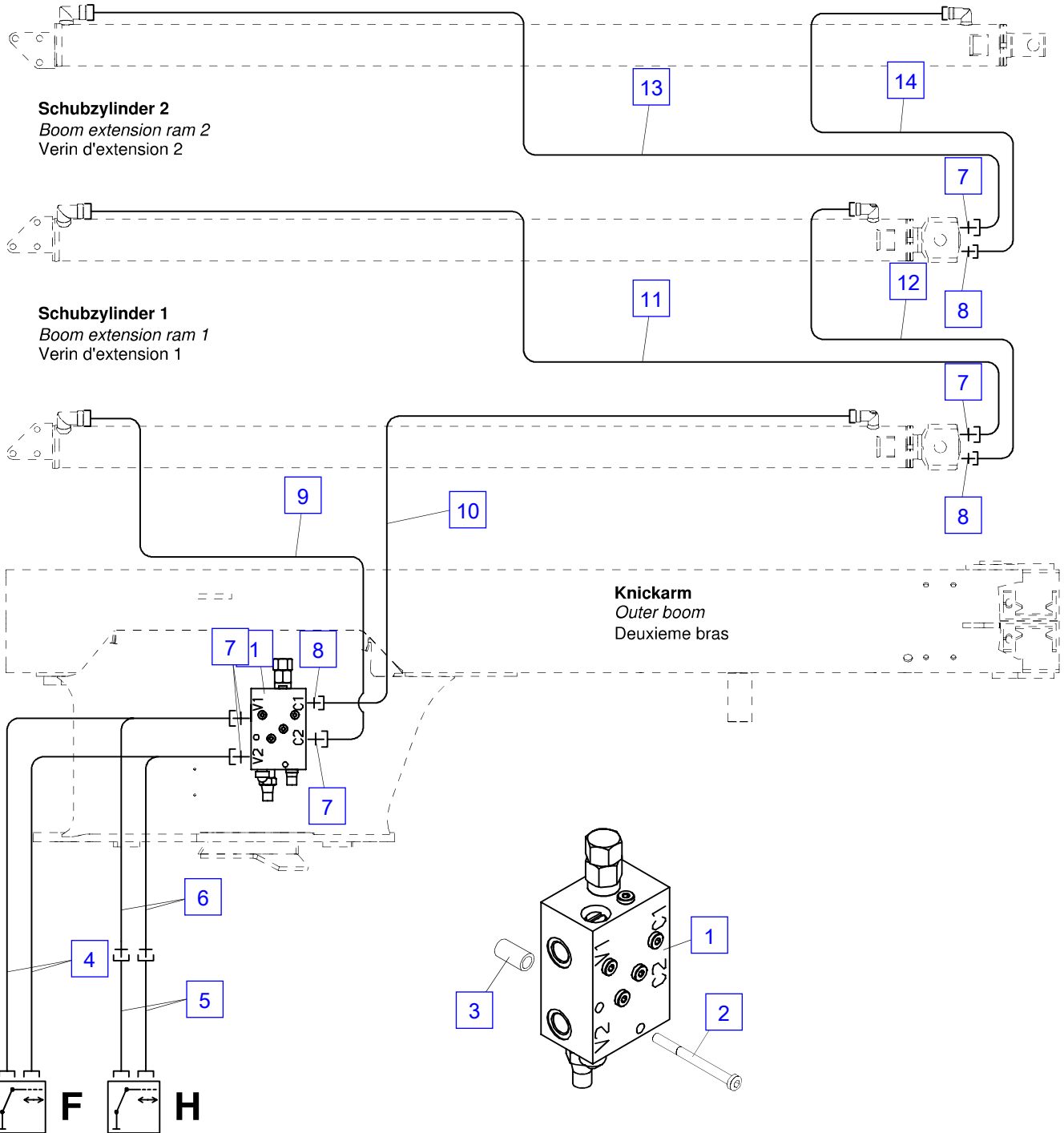
No.	Spare part	Qty.	Description	Dimension
1	EV5144	1	Load holding valve	
2	ES 888	2	Screw	M 8x90 DIN 7984
3	HBS1073A	2	Spacer	l=33 mm
4	EH5110	2	Hose (F)	NW 12x6400
5	EH5237	2	Hose (H)	NW 12x1800
6	EH3782	2	Hose (H)	NW 12x3800
7	EA 074	5	Fitting	GE 16S R1/2"-ED
8	EA 183	3	Fitting	GE 12S R1/2"-ED
9	HLR 8921	1	Pipe	D 16
10	HLR 8922	1	Pipe	D 12
11	HLR 8275	1	Pipe	D 16
12	HLR 8276	1	Pipe	D 12
13	HLR 8467	1	Pipe	D 16
14	HLR 8278	1	Pipe	D 12

**Ausführung mit 3 hydraulischen Ausschüben**  
*Crane with 3 hydraulic boom extensions*  
Modele a 3 extensions hydrauliques

**Schubzylinder 3**  
*Boom extension ram 3*  
Verin d'extension 3

**Schubzylinder 2**  
*Boom extension ram 2*  
Verin d'extension 2

**Schubzylinder 1**  
*Boom extension ram 1*  
Verin d'extension 1



Pipes-Boom extens.ram

No.	Spare part	Qty.	Description	Dimension
1	EV5144	1	Load holding valve	
2	ES 888	2	Screw	M 8x90 DIN 7984
3	HBS1073A	2	Spacer	l=33 mm
4	EH5110	2	Hose (F)	NW 12x6400
5	EH5237	2	Hose (H)	NW 12x1800
6	EH3782	2	Hose (H)	NW 12x3800
7	EA 183	4	Fitting	GE 12S R1/2"-ED
8	EA 074	6	Fitting	GE 16S R1/2"-ED
9	HLR 8921	1	Pipe	D 16
10	HLR 8922	1	Pipe	D 12
11	HLR 8275	1	Pipe	D 16
12	HLR 8276	1	Pipe	D 12
13	HLR 8277	1	Pipe	D 16
14	HLR 8468	1	Pipe	D 12
15	HLR 8469	1	Pipe	D 16
16	HLR 8466	1	Pipe	D 12

**Ausführung mit 4 hydraulischen Ausschüben**  
*Crane with 4 hydraulic boom extensions*  
 Modelle a 4 extensions hydrauliques

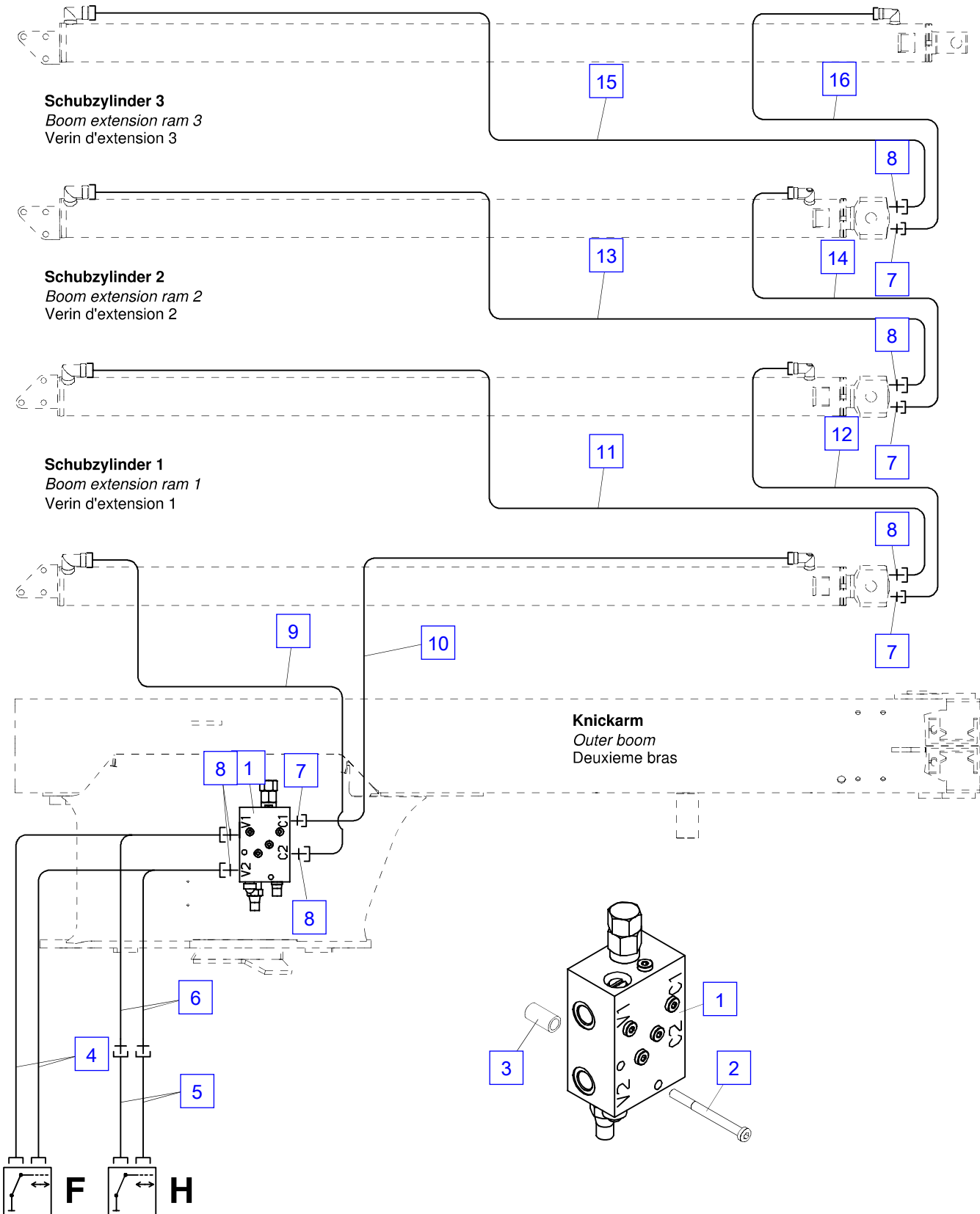
**Schubzylinder 4**  
*Boom extension ram 4*  
 Verin d'extension 4

**Schubzylinder 3**  
*Boom extension ram 3*  
 Verin d'extension 3

**Schubzylinder 2**  
*Boom extension ram 2*  
 Verin d'extension 2

**Schubzylinder 1**  
*Boom extension ram 1*  
 Verin d'extension 1

**Knickarm**  
*Outer boom*  
 Deuxieme bras

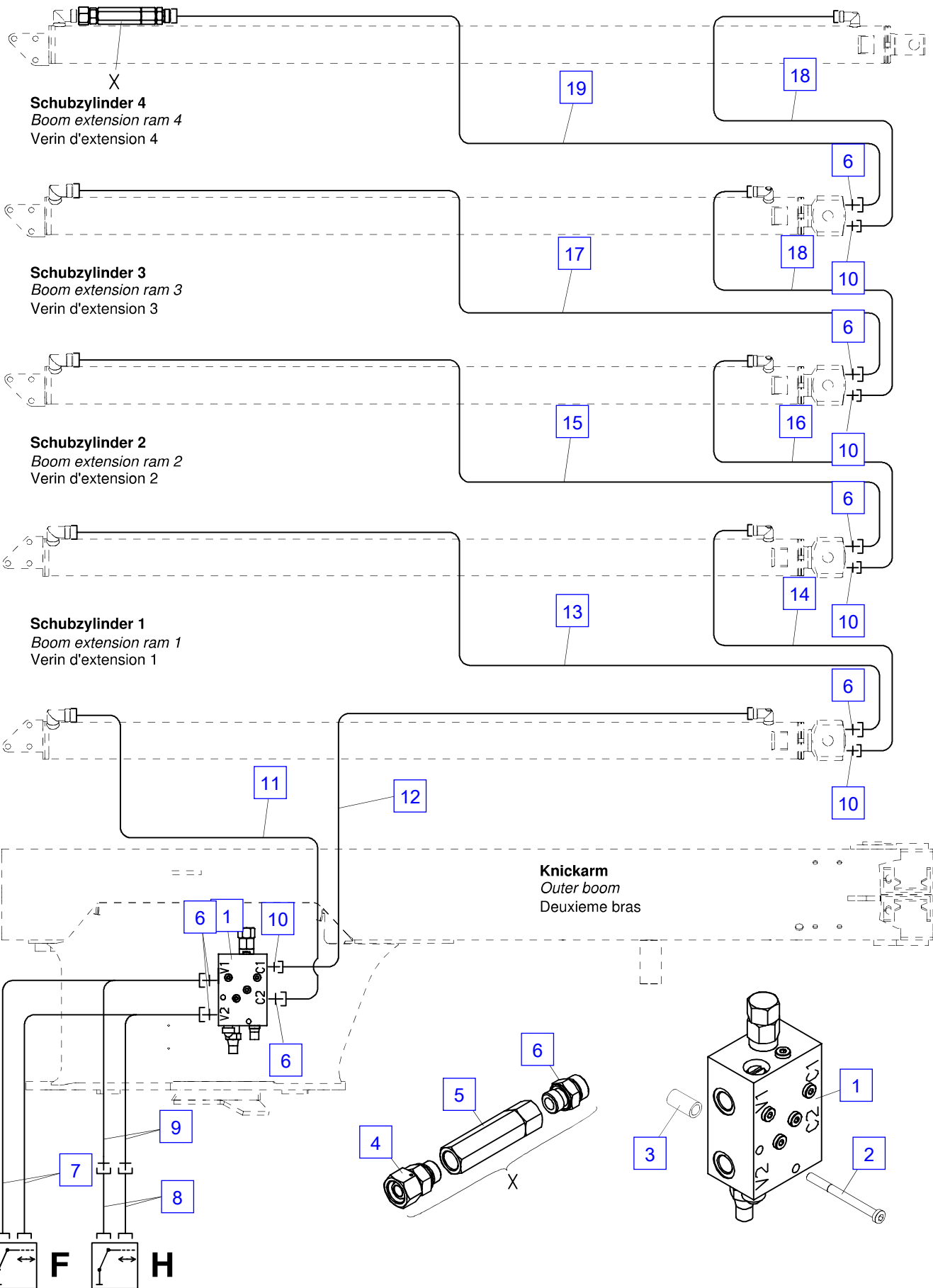


Pipes-Boom extens.ram

No.	Spare part	Qty.	Description	Dimension
1	EV5144	1	Load holding valve	
2	ES 888	2	Screw	M 8x90 DIN 7984
3	HBS1073A	2	Spacer	l=33 mm
4	EA 181	1	Fitting	EGE 16S R1/2"-ED
5	EV 363/040	1	Pretension valve	40 bar
6	EA 074	8	Fitting	GE 16S R1/2"-ED
7	EH5110	2	Hose (F)	NW 12x6400
8	EH5237	2	Hose (H)	NW 12x1800
9	EH3782	2	Hose (H)	NW 12x3800
10	EA 183	5	Fitting	GE 12S R1/2"-ED
11	HLR 8921	1	Pipe	D 16
12	HLR 8922	1	Pipe	D 12
13	HLR 8275	1	Pipe	D 16
14	HLR 8276	1	Pipe	D 12
15	HLR 8277	1	Pipe	D 16
16	HLR 8468	1	Pipe	D 12
17	HLR 8463	1	Pipe	D 16
18	HLR 8466	2	Pipe	D 12
19	HLR 8465	1	Pipe	D 16

**Ausführung mit 5 hydraulischen Ausschüben**  
*Crane with 5 hydraulic boom extensions*  
 Modele a 5 extensions hydrauliques

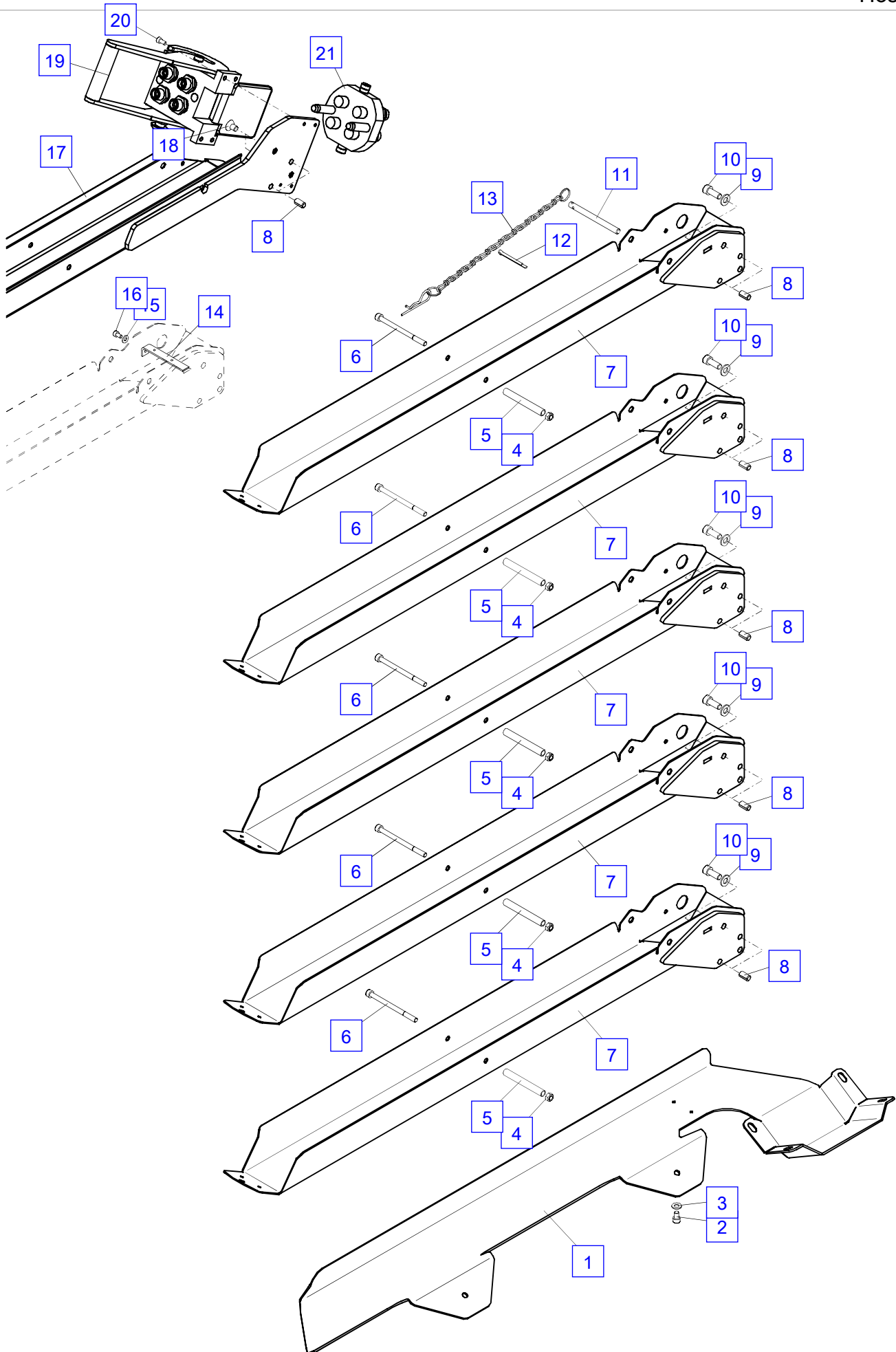
**Schubzylinder 5**  
*Boom extension ram 5*  
 Verin d'extension 5



Hose trays

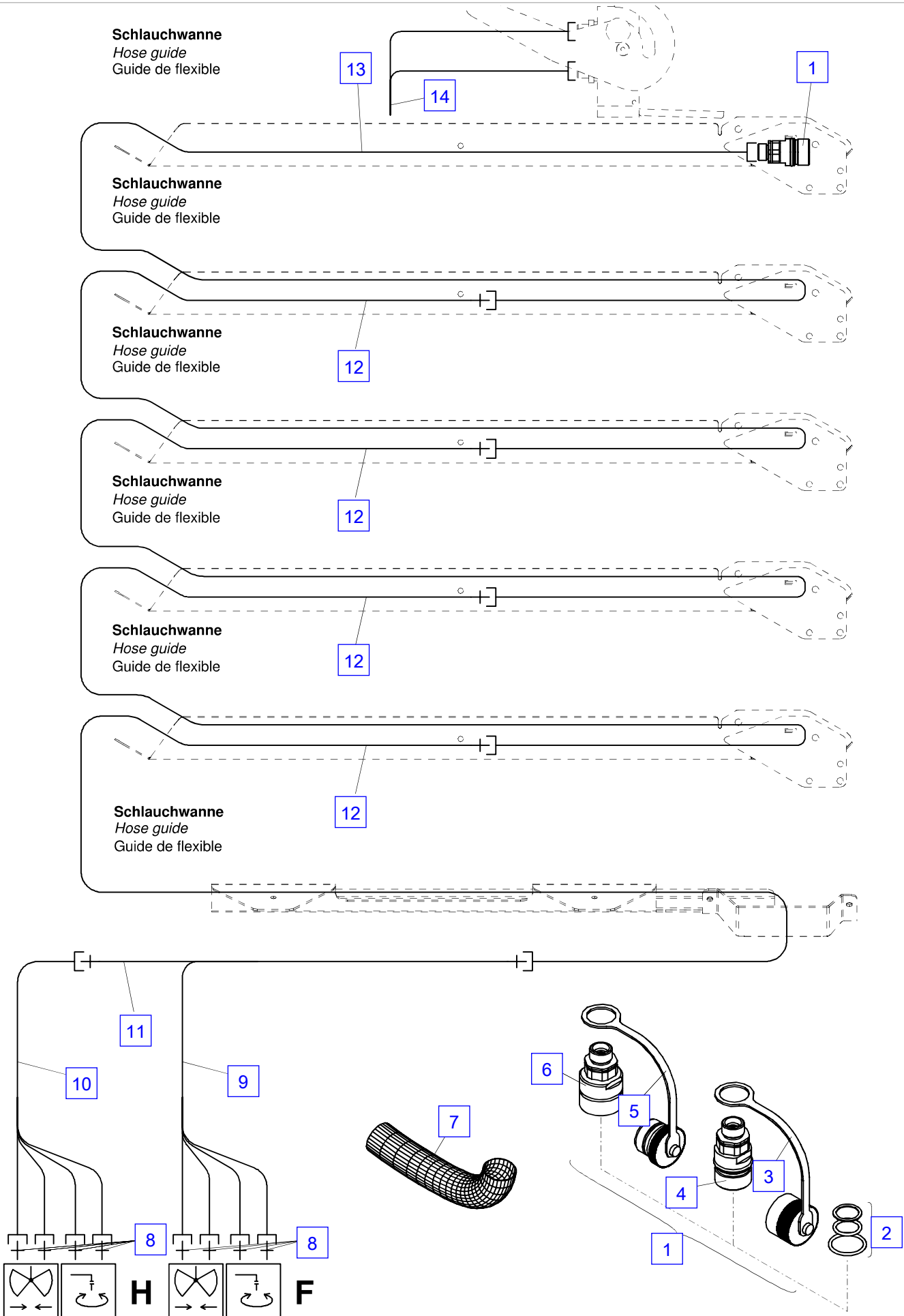
No.	Spare part	Qty.	Description	Dimension
1	HA3559	1	Hose tray	
2	ES 374	6	Screw	M 8x12 ISO4762- 8.8
3	EK 003	6	Washer	D 8.4 ISO7089
4	EM 026	5	Nut	M 8 DIN 985
5	HBS2126	5	Spacer tube	D12.0xd9.0xL=92 mm
6	ES1163	5	Screw	M 8x110 DIN 912
7	HXE1154	5	Hose tray	
8	EQ 044	10	Winding pin	D 10x20 DIN1481
9	EK 007	10	Washer	D 10.5 ISO7089
10	ES 050	10	Screw	M 10x20 ISO4762-10.9
11	HI2453	1	Pin	l=117 mm
12	EQ 021	1	Split pin	D 5x50 ISO 1234
13	HXS 032	1	Safety chain	
14	HA4298	4	Bearer	L0115.5xB0015xS003
15	EK 043	4	Washer	D 6.4 DIN 134
16	ES 414	4	Screw	M6x10 ISO4762 - 8.8
17	HXE2817	1	Hose tray	
18	ES 314	2	Screw	M 10x16 ISO14581- 8.8
19	EA2186	1	Quick-coupling	
20	ES1150	4	Screw	M 6x12 - 8.8 - ISO4762
21	EA2187	1	Quick-coupling	
	TD1734	1	Seal kit	





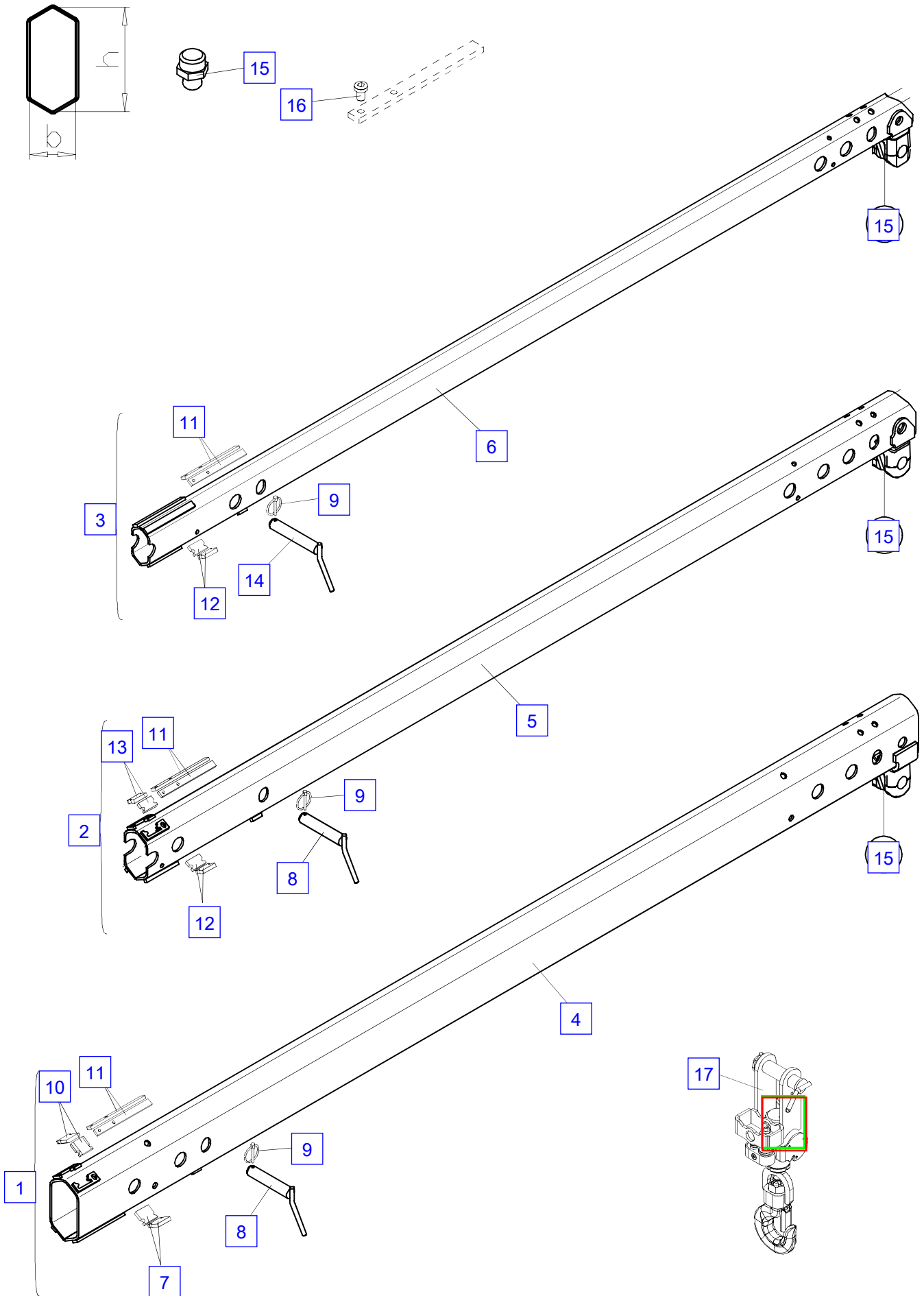
Pipes-Hose guide

No.	Spare part	Qty.	Description	Dimension
1	EA1113	2	Quick coupling, cpl.	12S NW 10 DIN2353
2	TD 045	1	Seal kit, cpl.	
3	EK 112	1	Dust cover (red) (Red)	Rot
3	EK 143	1	Dust cover (black) (Black)	Schwarz
4	EA1266	1	Quick-coupling	12 S
5	EK 113	1	Dust cover (red) (Red)	Rot
5	EK 144	1	Dust cover (black) (Black)	Schwarz
6	EA1267	1	Quick-coupling	12 S
7	EH 617	0	Protection hose	NW 50x1400
7	EH 619	0	Protection hose	NW 50x1500
7	EH 768	0	Protection hose	NW 70x1500
8	EA 183	4	Fitting	GE 12S R1/2"-ED
9	EH6027	4	Hose (F)	NW 10x7500
10	EH5236	4	Hose (H)	NW 10x1800
11	EH5115	4	Hose (H)	NW 10x5200
12	EH2283	16	Hose	NW 10x2700
13	EH4786	4	Hose	NW 10x3350
14	EH7271	4	Hose	NW 10x3450



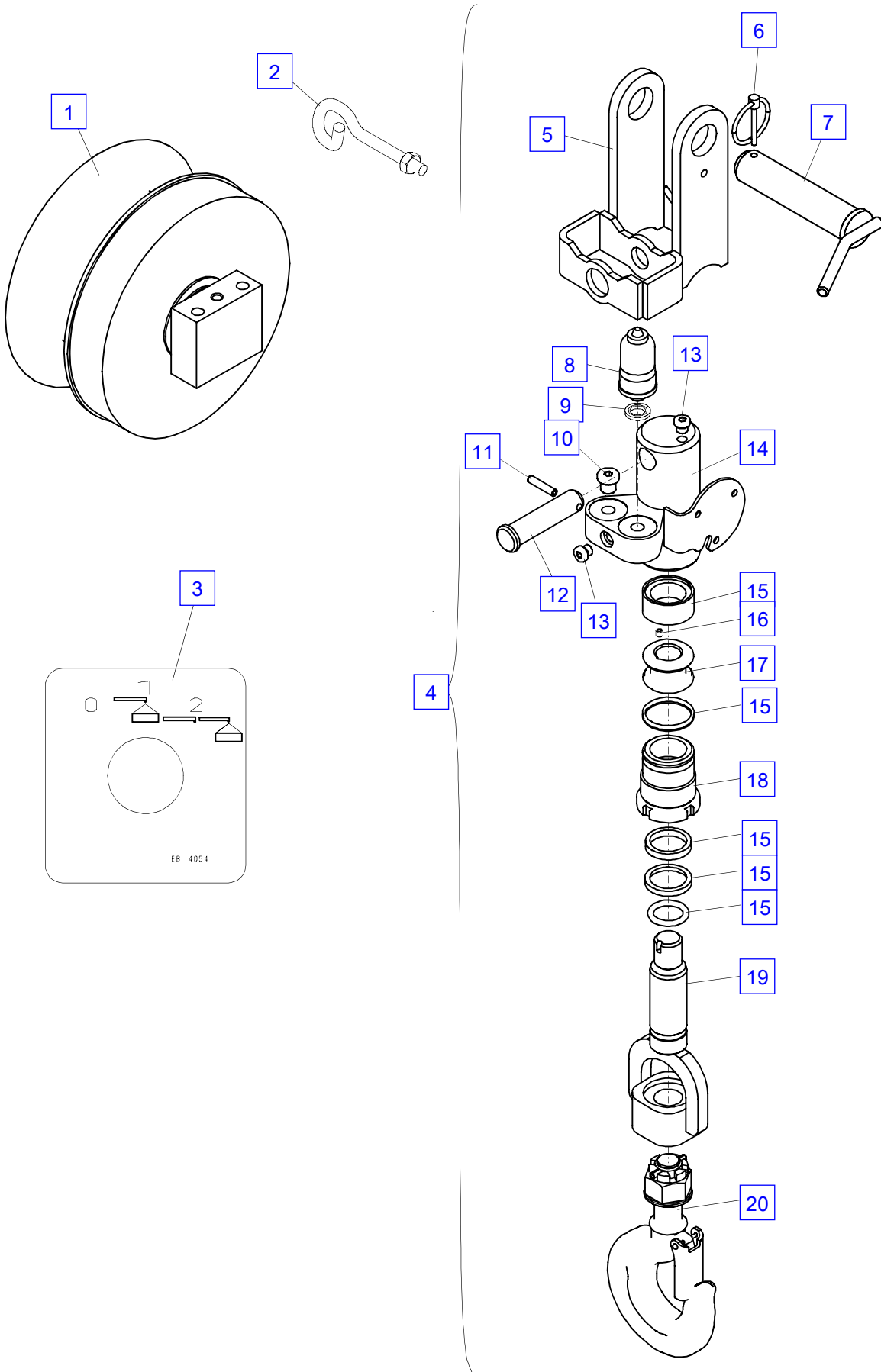
Man. boom extensions

No.	Spare part	Qty.	Description	Dimension
1	KMT006ASA	1	Extension V, cpl.	
2	KMT007ASA	1	Extension, cpl.	
3	KMT008ASA	1	Extension , cpl.	
4	KMT006A-A	1	Extension	155x81 mm
5	KMT007A-A	1	Extension	123x64 mm
6	KMT008A-A	1	Extension	93x47 mm
7	HT7633	2	Guide block	9 mm
7	HT2299	2	Guide block	7 mm
7	HT2221	2	Guide block	10 mm
8	HIS 061	2	Pin	l=128 mm
9	EQ 042	3	Bolt retainer	D 5,0 DIN 11023 - 05x042 - ST
10	HF 829	2	Guide block	8 mm
10	HF 830	2	Guide block	9 mm
10	HF 831	2	Guide block	10 mm
10	HF 832	2	Guide block	11 mm
10	HF 833	2	Guide block	12 mm
11	HTR2951	6	Guide block	6 mm
11	HTR2952	6	Guide block	8 mm
11	HTR2953	6	Guide block	10 mm
11	HTR2982	6	Guide block	1 mm
12	HT6723	4	Guide block	7 mm
12	HT2218	4	Guide block	8 mm
12	HT2219	4	Guide block	10 mm
13	HF 824	2	Guide block	8 mm
13	HF 825	2	Guide block	9 mm
13	HF 826	2	Guide block	10 mm
13	HF 827	2	Guide block	11 mm
13	HF 828	2	Guide block	12 mm
14	HIS 040	1	Pin	l= 144 mm
15	EA 005	3	Grease nipple	M10x1 DIN71412
16	ES1082	0	Screw	M 8x12 DIN 7984 8.8
16	ES1088	0	Screw	M 8x6 DIN 7984
16	ES1089	0	Screw	M 8x10 DIN 7984 8.8
17	KLK001A-A	1	Pressure compensator see page 080.0101	



Pressure compensator

No.	Spare part	Qty.	Description	Dimension
1	ET 041	1	Cable drum	5500 mm
1	ET 042	1	Cable drum	25000 mm
2	EZ 232	1	Keeper	
3	EB4054	1	Symbol sign	
4	KLG001A-A	1	Pressure compensator	
5	KLG001A20	1	Bracket	
6	EQ 042	1	Bolt retainer	D 5,0 DIN 11023 - 05x042 - ST
7	HIS 008	1	Pin	l=135 mm
8	EEA3888	1	Pressure switch	
9	ED 619	1	Sealing ring	KD 1/4"
10	EA 236	1	Locking screw	VSTI R 1/4"
11	EQ 218	1	Winding pin	D 6x30 ISO8752
12	HI7203	1	Pin	
13	EA 423	2	Locking screw	VSTI R 1/8"
14	KLG001A10	1	Cylinder tube	
15	TD1521	1	Seal kit	
16	ES 228	1	Set screw	M 6x6 DIN 913
17	KLG001A01	1	Piston	
18	HV 552	1	Cylinder nut	
19	KLG001A30	1	Bracket	
20	EZ1422	1	Crane hook	5,4 t
	EZ1423	1	Safety latch	



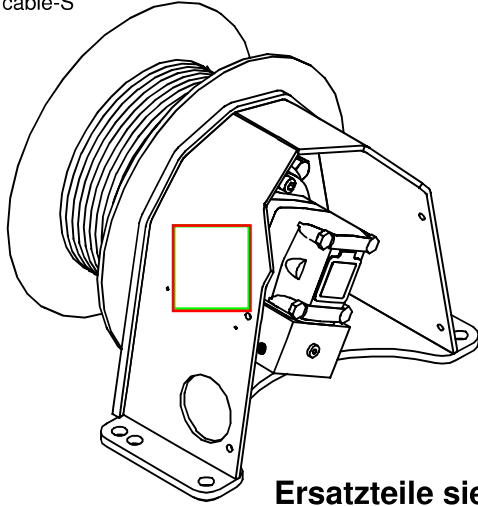
## Rope winch-S

No.	Spare part	Qty.	Description	Dimension
1	ES1395	4	Screw	M 16x40 DIN 912
2	EK 041	4	Washer	D 16 DIN 134
3	HA2275	1	Bracket	
4	EM 031	4	Nut	M 16 DIN 985
5	EQ 066	1	Spring pin	DIN11024
6	HXV 061	1	Rope winder	
7	EZ 574	1	Cotter	
8	EZ 575	1	Load rope	D 8x41 m
8	EZ 656	1	Load rope	D 8x52 m
8	EZ 858	1	Load rope	D 8x33 m

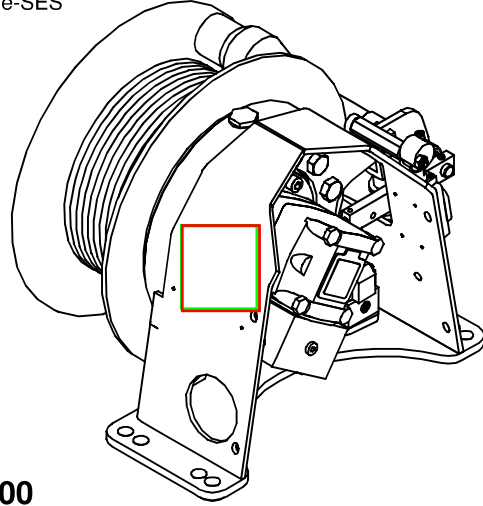


(—>1000.....)

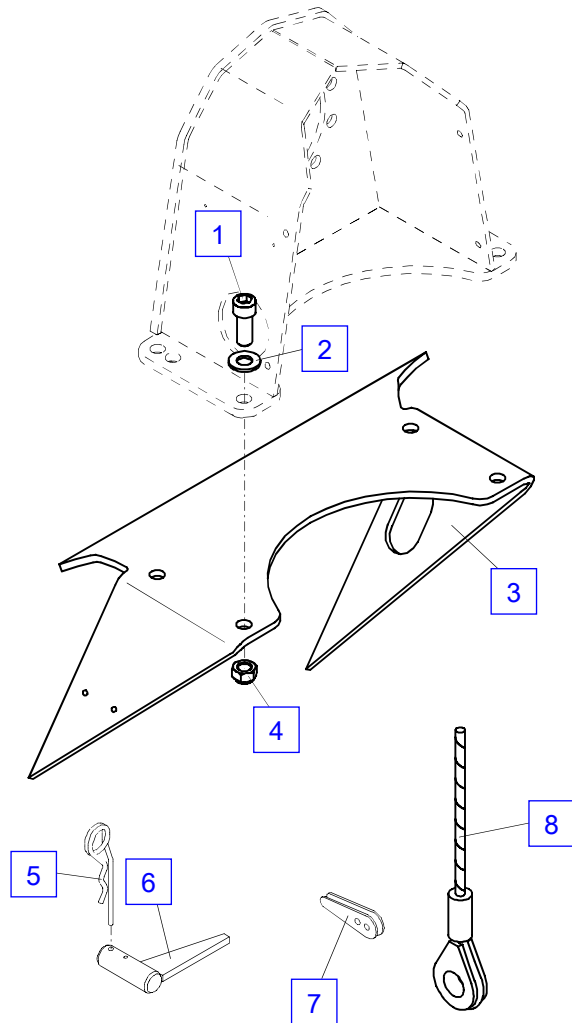
Seilwinde-S  
Rope winch-S  
Treuil a cable-S



Seilwinde-SES  
Rope winch-SES  
Treuil a cable-SES



**Ersatzteile siehe KBW0000**  
Spare parts look KBW0000  
Pieces de rechange voir KBW0000

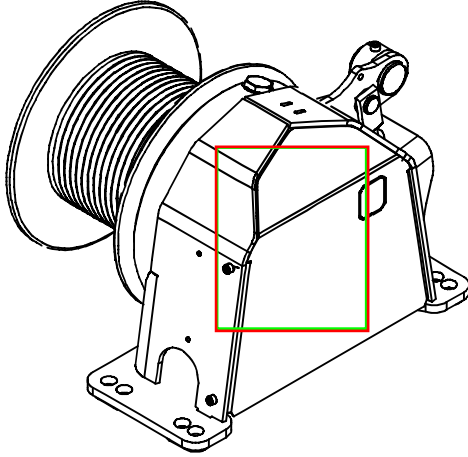


## Rope winch-S

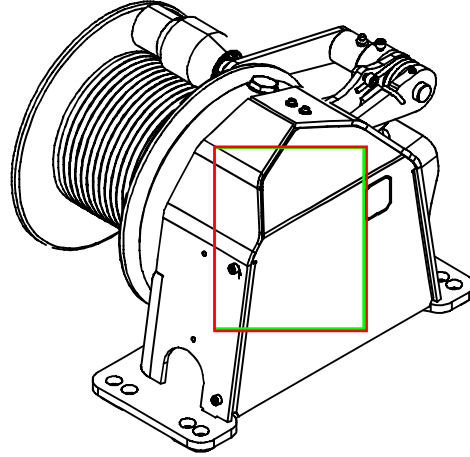
No.	Spare part	Qty.	Description	Dimension
1	ES 188	4	Screw	M 16x45 DIN 933-10.9
2	HA2275	1	Bracket	
3	EK 358	4	Washer	D 17 DIN6916
4	EM 164	4	Nut	M 16 DIN 985
5	EQ 066	1	Spring pin	DIN11024
6	HXV 061	1	Rope winder	
7	EZ 574	1	Cotter	
8	EZ 656	1	Load rope	D 8x52 m
8	EZ5446	1	Load rope	D 8x52 m North America

(1000.....→)

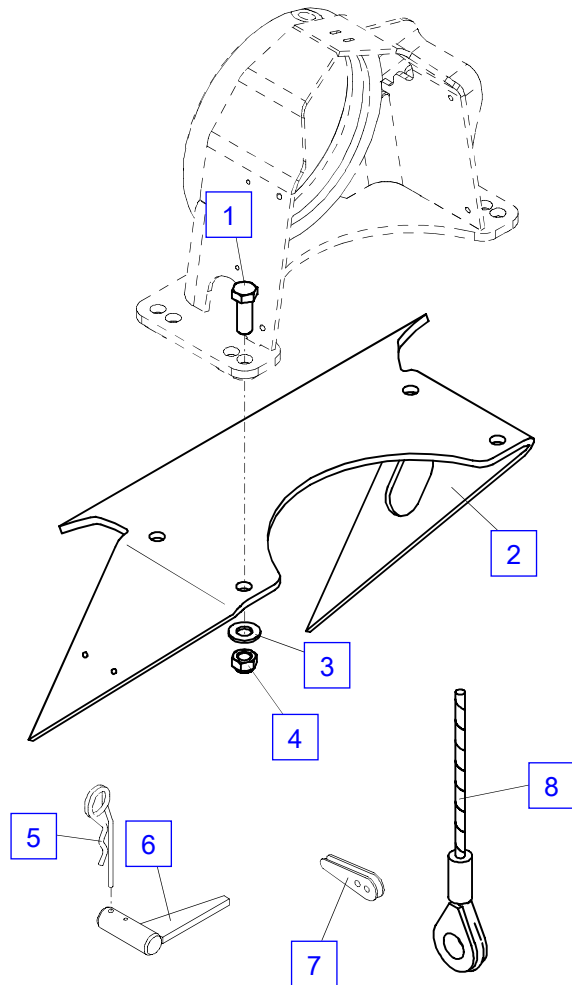
Seilwinde-S  
Rope winch-S  
Treuil a cable-S



Seilwinde-SES  
Rope winch-SES  
Treuil a cable-SES



**Ersatzteile siehe KBW005A**  
Spare parts look KBW005A  
Pieces de rechange voir KBW005A



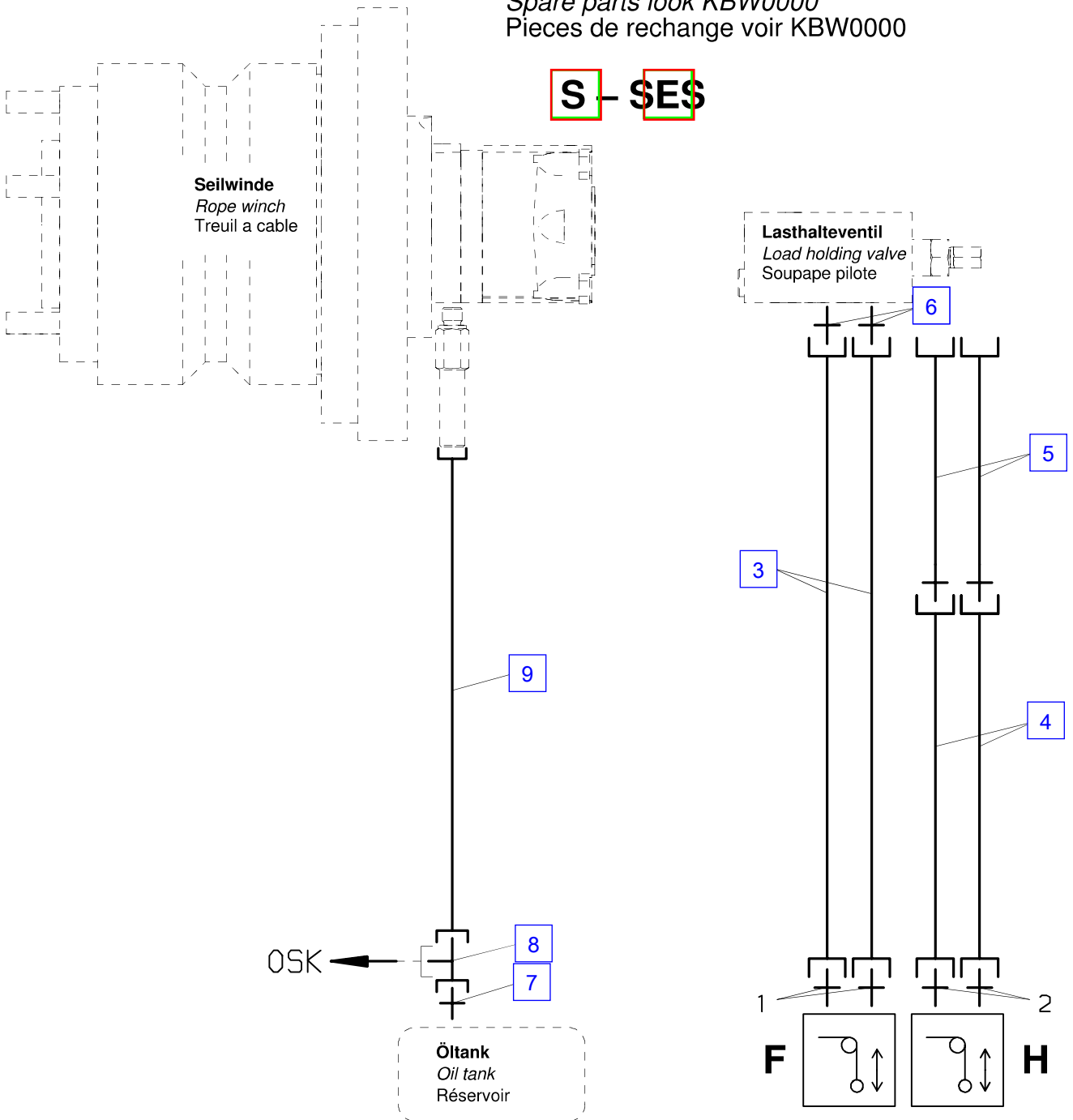
## Pipes-Rope winch

No.	Spare part	Qty.	Description	Dimension
2	EA 183	2	Fitting	GE 12S R1/2"-ED
3	EH5112	2	Hose (F)	NW 10x7400
4	EH5236	2	Hose (H)	NW 10x1800
5	EH5116	2	Hose (H)	NW 10x4750
6	EA 183	2	Fitting	GE 12S R1/2"-ED
7	EA 190	1	Fitting	GE 10L R3/8"-ED
8	EA 531	1	L-Coupling	EL 10 L
9	EH1254	1	Hose (H)	NW 8x8850
9	EH1820	1	Hose (F)	NW 10x7800
10	EA 278	1	Angle fitting	EW 10 L

(→1000.....)

Ersatzteile siehe KBW0000  
Spare parts look KBW0000  
Pieces de rechange voir KBW0000

**S - SES**

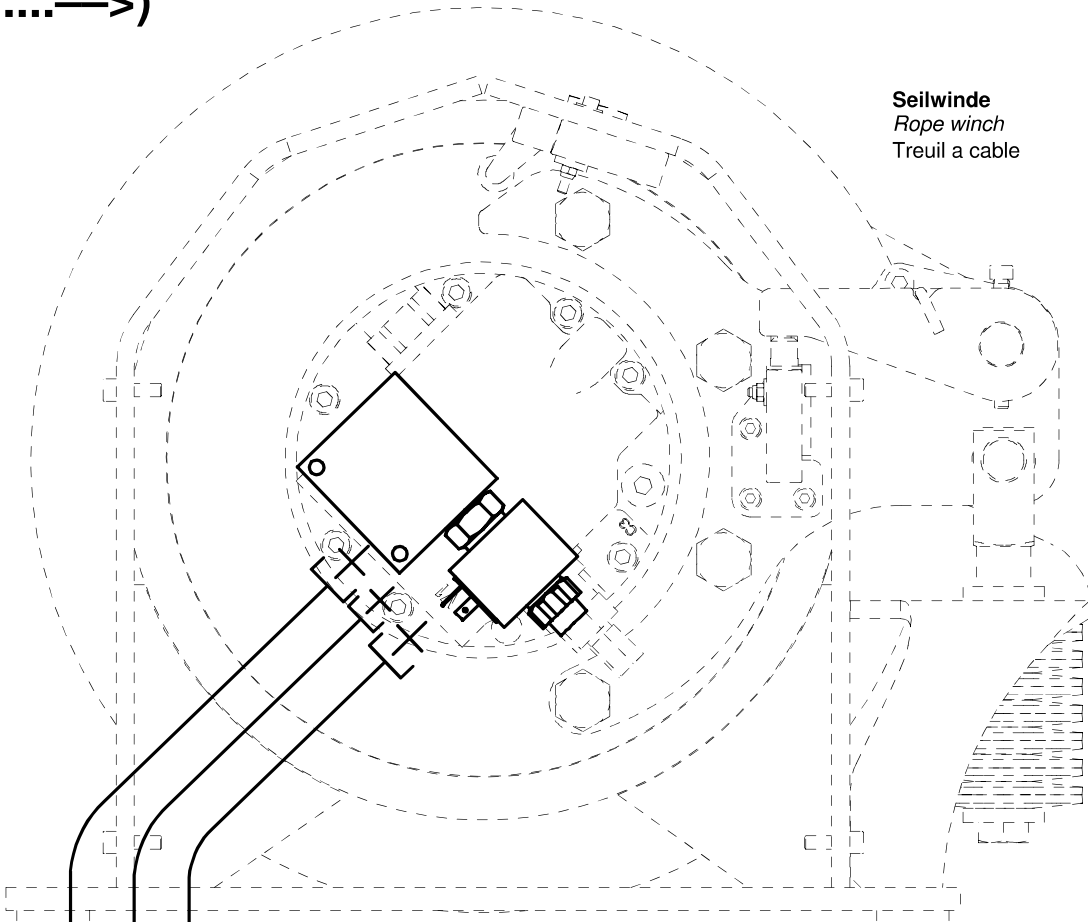


## Pipes-Rope winch

No.	Spare part	Qty.	Description	Dimension
1	EA1646	2	Fitting	GE 12K R1/2" ED
	EA1645	1	Circlip	WEO 1/2"
2	EA 183	2	Fitting	GE 12S R1/2"-ED
3	EH5112	2	Hose (F)	NW 10x7400
4	EH5236	2	Hose (H)	NW 10x1800
5	EH5116	2	Hose (H)	NW 10x4750
6	EH1254	1	Hose (H)	NW 8x8850
6	EH5048	1	Hose (F)	NW 8x5000
7	EA 531	1	L-Coupling	EL 10 L
8	EA 190	1	Fitting	GE 10L R3/8"-ED

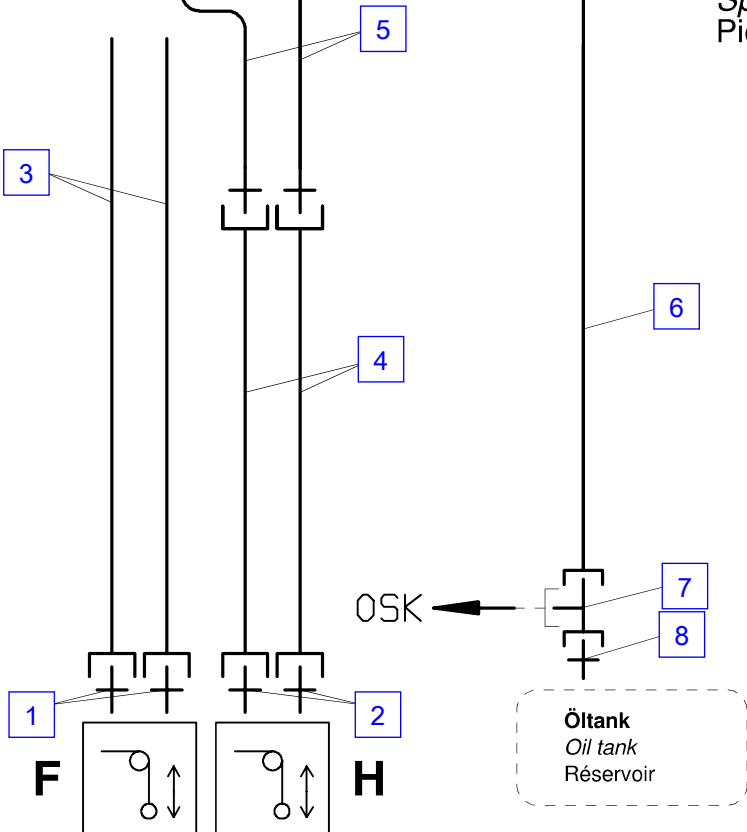
(1000.....→)

Seilwinde  
Rope winch  
Treuil a cable



Ersatzteile siehe KBW006A  
Spare parts look KBW006A  
Pieces de rechange voir KBW006A

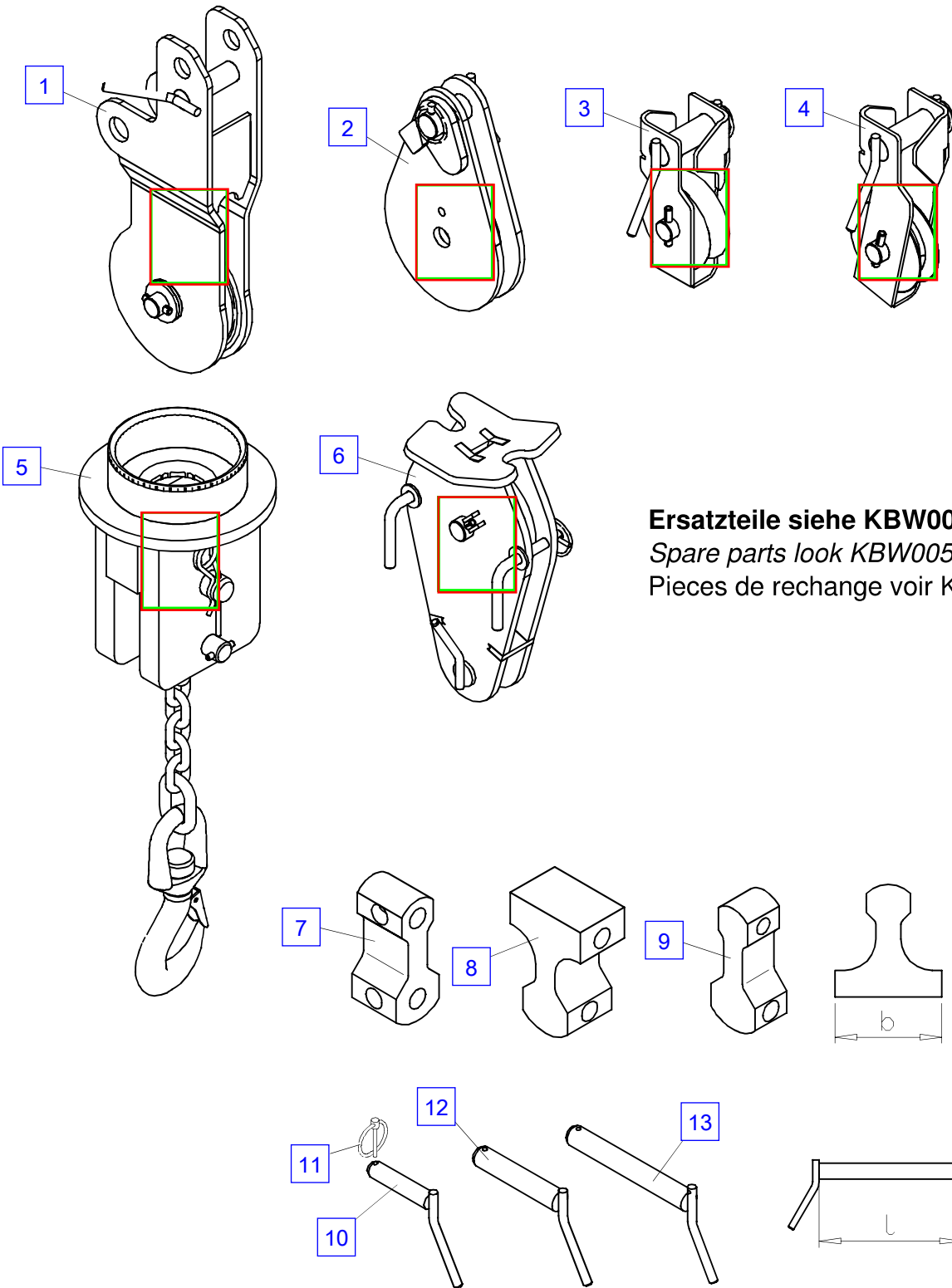
**S - SES**



Guide pulley,trolley head

No.	Spare part	Qty.	Description	Dimension
1	KUR001-BA	1	Pulley head, cpl.	
2	KUR002-BA	1	Pulley head, cpl.	
3	KUR003-BA	1	Inside pulley	Dseil 12
4	KUR004-BA	1	Reversing pulley, cpl.	
5	UL056A	1	Load attachment, cpl.	
6	UL085	1	Hook block cpl.	Dseil 08
7	HHK 051	1	Fastening clip	b=70 mm
8	HHK 326	1	Fastening clip	b=110 mm
9	HHK 341	1	Fastening clip	b=50 mm
10	HI 042	1	Pin	l=92 mm
11	EQ 042	1	Bolt retainer	D 5,0 DIN 11023 - 05x042 - ST
12	HIS 061	1	Pin	l=128 mm
13	HIS 073A	1	Pin	l=188 mm

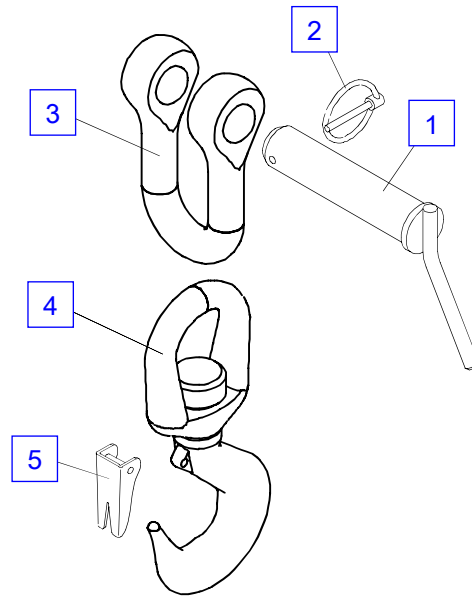




**Ersatzteile siehe KBW005A**  
*Spare parts look KBW005A*  
**Pieces de rechange voir KBW005A**

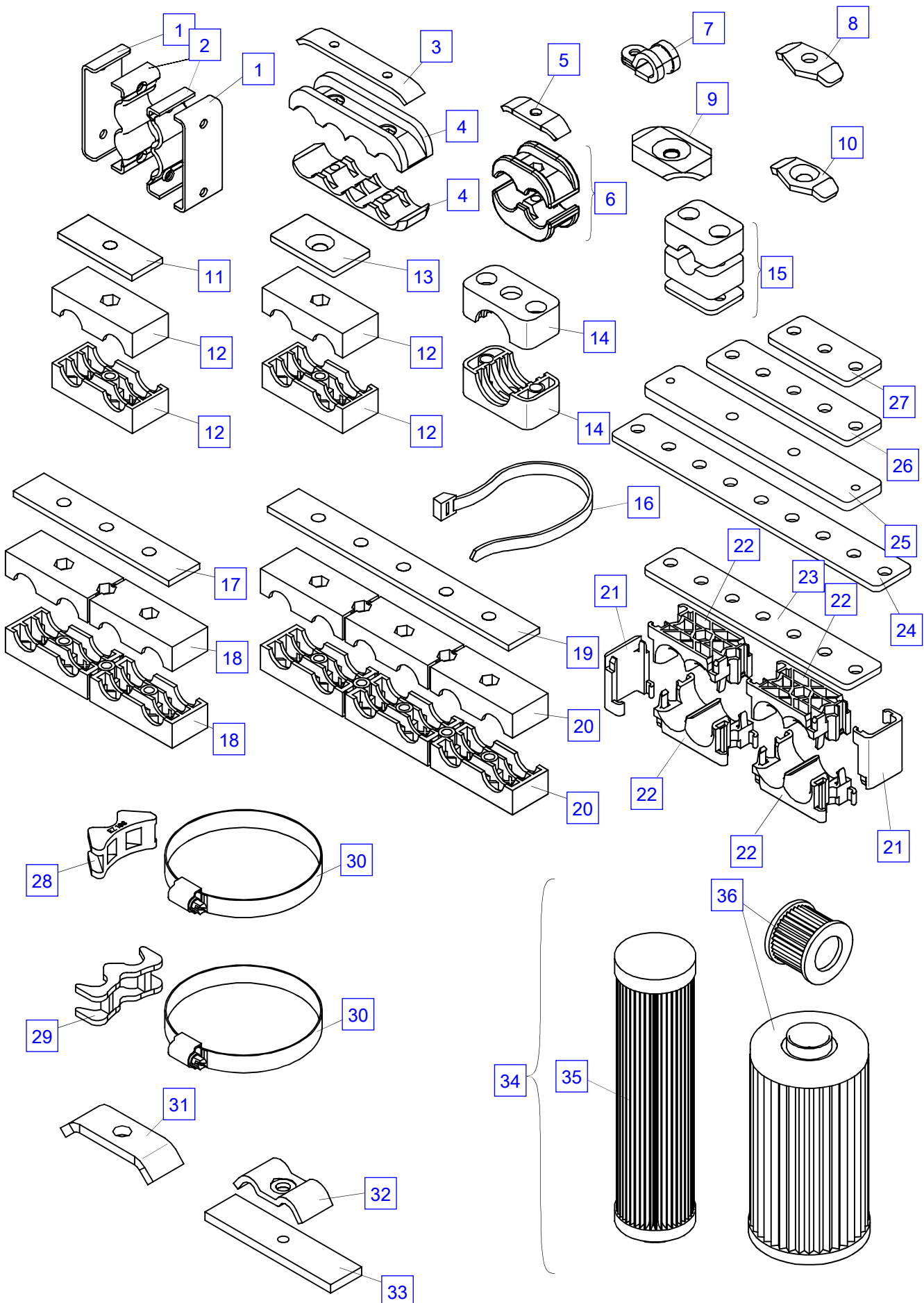
## Accessories

No.	Spare part	Qty.	Description	Dimension
1	HIS 008	1	Pin	l=135 mm
2	EQ 042	1	Bolt retainer	D 5,0 DIN 11023 - 05x042 - ST
3	HXL 010	1	Suspension eye	11t
4	EZ1600	1	Crane hook (+5)	8,0 t
	EZ1599	1	Safety latch	
5	EZ1599	1	Safety latch	



Miscellaneous

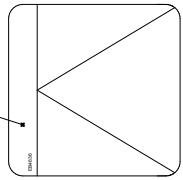
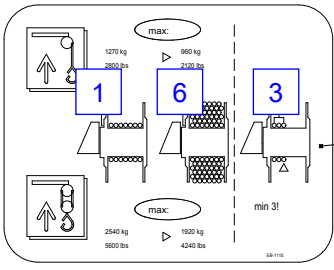
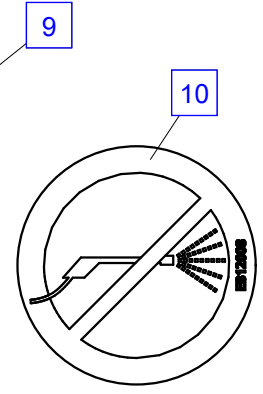
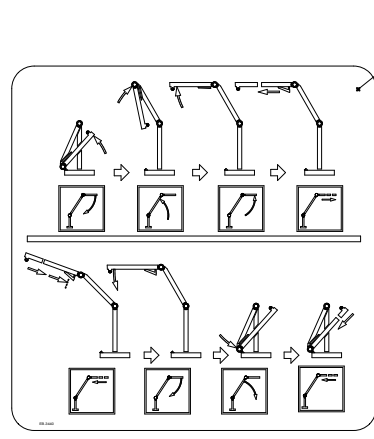
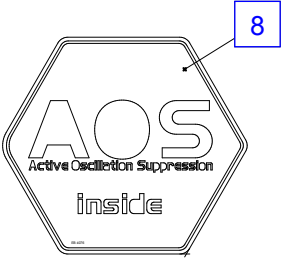
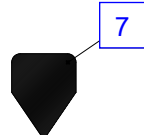
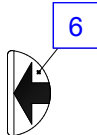
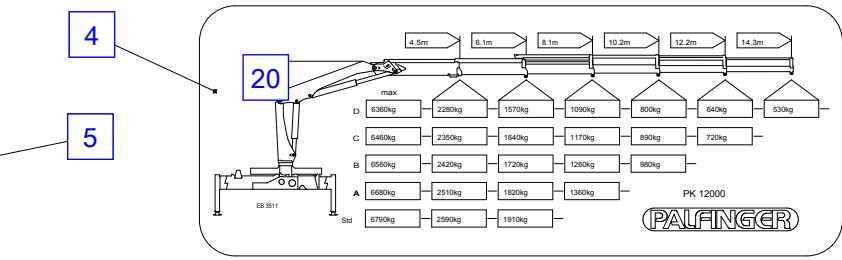
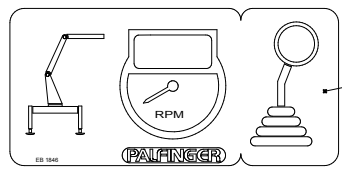
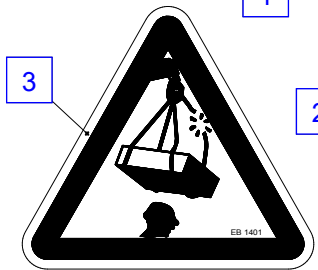
No.	Spare part	Qty.	Description	Dimension
1	HA3041	0	Clip	L0076.3xB0030xS002
2	HA3022	0	Clip	
3	HTR 810	0	Plate	L0093.0xB0015.0xS0003.3
4	EZ 124	0	Hose clip	D 17x4
5	HA4819	0	Plate	L0046.2xB0015xS003
6	EZ2643	0	Hose clip	D017.0
7	EK 216	0	Pipe clip	D 10
7	EK 217	0	Pipe clip	D 20
7	EK 221	0	Pipe clip	D 12
7	EK 256	0	Pipe clip	D 16
7	EK 351	0	Pipe clip	D 14
7	EK 352	0	Pipe clip	D 8
8	HX 007	0	Pipe clip	
9	HX 611	0	Clip	L0058.2xB0039.1 xS003.0
10	HX 416	0	Pipe clip	
11	HX 335	0	Stiffening plate	
12	EZ 257	0	Hose clip	D 19-22
12	EZ 259	0	Hose clip	D 15-18
13	HX 599	0	Plate	
14	EZ 502	0	Hose clip	D 28
15	EZ 306	0	Pipe clip	D 14
16	EK 084	0	Mounting band	I=360x7.5
16	EK 085	0	Cable tie	I=370x7,6
16	EK 165	0	Cable tie	I=215x4.8
17	HX 337	0	Stiffening plate	L0126xB0025xS004
18	EZ 256	0	Hose clip	D 19-21
18	EZ 258	0	Hose clip	D 15-18
19	HX 336	0	Stiffening plate	S0004 B0025 L0195
20	EZ 186	0	Hose clip	D 19-21
20	EZ 223	0	Hose clip	D 15-18
21	EZ1718	0	Stop plate	
22	EZ1589	0	Hose clip	NW 10
22	EZ1590	0	Hose clip	NW 12
23	HX 965	0	Fastening plate	L0166.0 B0030 S0004
24	HX1002	0	Fastening plate	
25	HTR3661	1	Fastening plate	
26	HX 964	0	Fastening plate	L0116xB0030xS004
27	HX 963	0	Fastening plate	L0066xB0030xS004
28	EZ 188	0	Pipe clip	
29	EZ 272	0	Pipe clip	
30	EQ 007	0	Hose clamp	D 110-130
30	EQ 020	0	Hose clamp	D 130-150
30	EQ 091	0	Hose clamp	D 150-170
30	EQ 099	0	Circlip	D 90-110
30	EQ 103	0	Hose clamp	D170-190
30	EQ 107	0	Hose clamp	D 70-90
30	EQ 271	0	Hose clamp	D180-200
30	EQ 276	0	Hose clamp	D280-320
30	EQ 302	0	Hose clamp	D230-250
31	HX 058	0	Pipe clip	L0076xB0025xS006
32	HX 448	0	Pipe clip	L0070xB0025xS004
33	HTR1231	0	Plate	L0102xB0025xS006
34	BZ204S	1	Filter element, cpl.	
35	EA1392	1	Filter element	
36	EA1412	1	Filter element	80 l/min



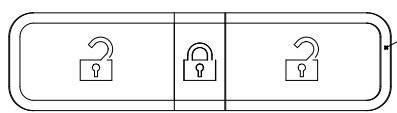
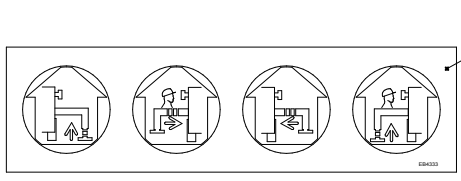
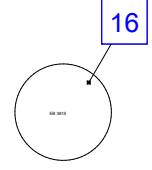
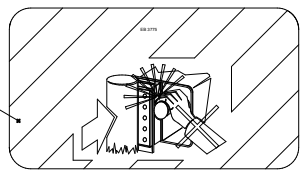
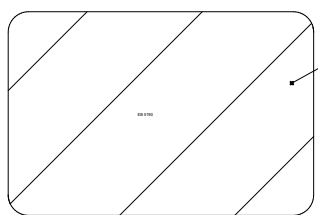
Decals

No.	Spare part	Qty.	Description	Dimension
1	EB7986	2	Company decal -Palfinger	930x117 mm
2	EB3689	2	Company decal	
3	EB1401	2	Danger sign	h=153 mm
4	EB3511	2	Capacity diagram	PK 12000
5	EB1846	1	Decal	
6	EB1826	2	Symbol sign	
7	EB1279	2	Folding arrow	
8	EB4076	1	Decal	
9	EB3440	1	Symbol sign	
10	EB12008	1	Sign	45x45 mm
11	EB1115	1	Sign	
12	EB4636	1	Symbol sign	
13	EB1018	2	Sign	
14	EB5190	2	Warning sign	150x100 mm
15	EB3775	1	Warning sign	
16	EB3269	1	Decal	D 60 mm
17	EB4181	1	Decal KTL	
18	EB4333	1	Symbol sign	
19	EB14559	2	Symbol sign	
20	EB4856	2	Company decal Palfinger	715x125 mm

**PALFINGER CRANE**



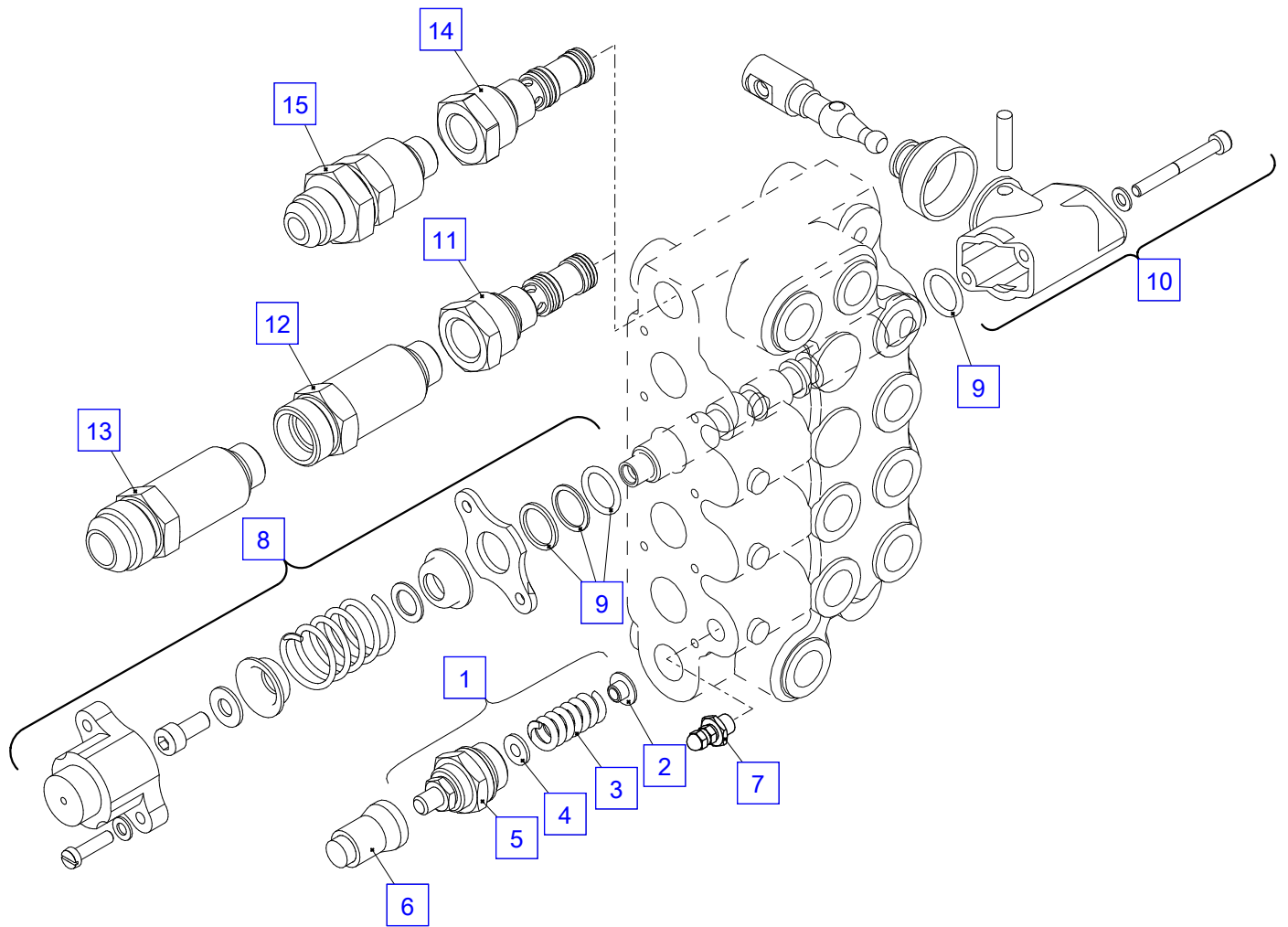
max. 1200 kg



Control valve VDM07

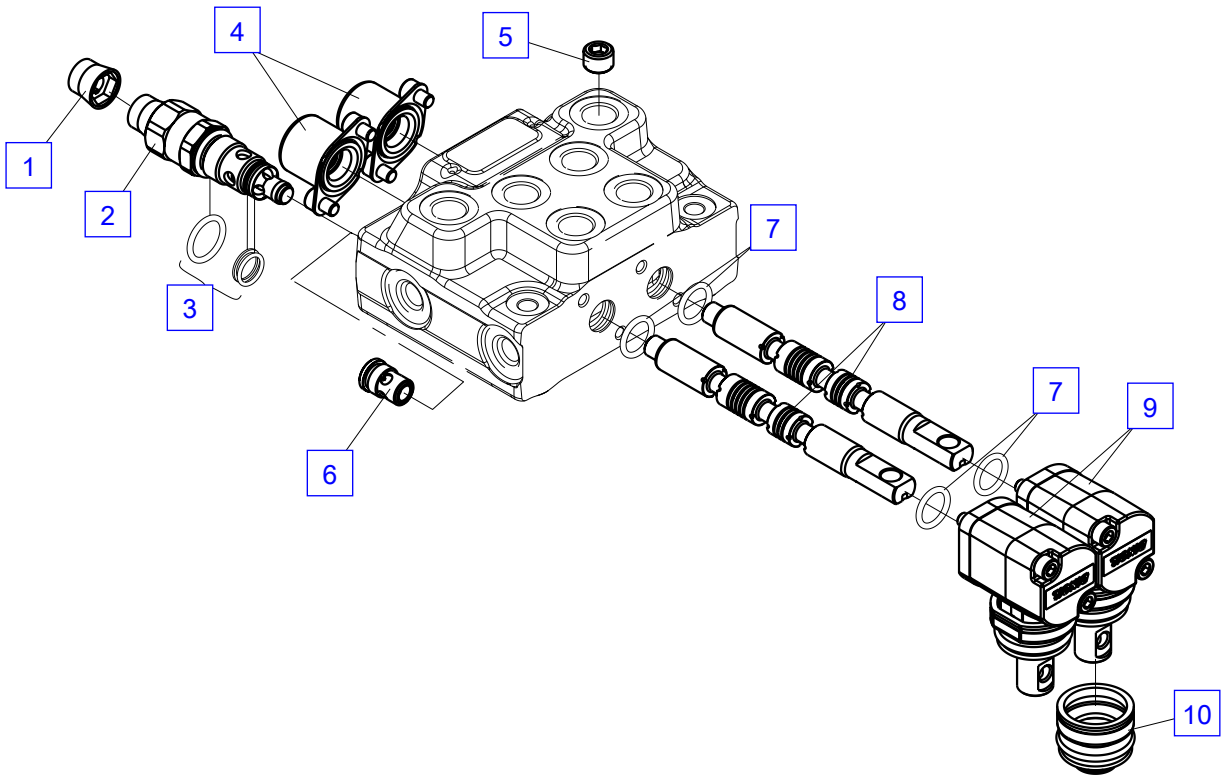
No.	Spare part	Qty.	Description	Dimension
1	EV 990	1	Main relief valve, cpl.	
2	EK 279	1	Bushing	
3	EF 077	1	Pressure spring	
4	EK 278	1	Washer	
5	EV 989	1	Valve housing	
6	EK 715A	1	Sealing cap	
7	EV5719A	1	Port relief valve	30-70 bar
	EK4283	1	Cape, blue	
8	EZ9426	1	Spring housing, cpl. (sans montage en opposition)	
8	EZ2148	1	Spring housing, cpl. (avec montage en opposition)	
9	TD1605	1	Seal kit	
10	EZ2146	1	Lever support, cpl.	
11	EV1778	1	High pressure carry over port	M 18x1,5 - M 18x1,5
12	UV148A	1	Check valve	M 18x1.5
13	EV2083	1	Check valve Type JI	M18x1.5
14	EV1021	1	High pressure carry over port	M 18x1.5 - 3/8"
15	UV301JI	1	Check valve Type JI	3/8"





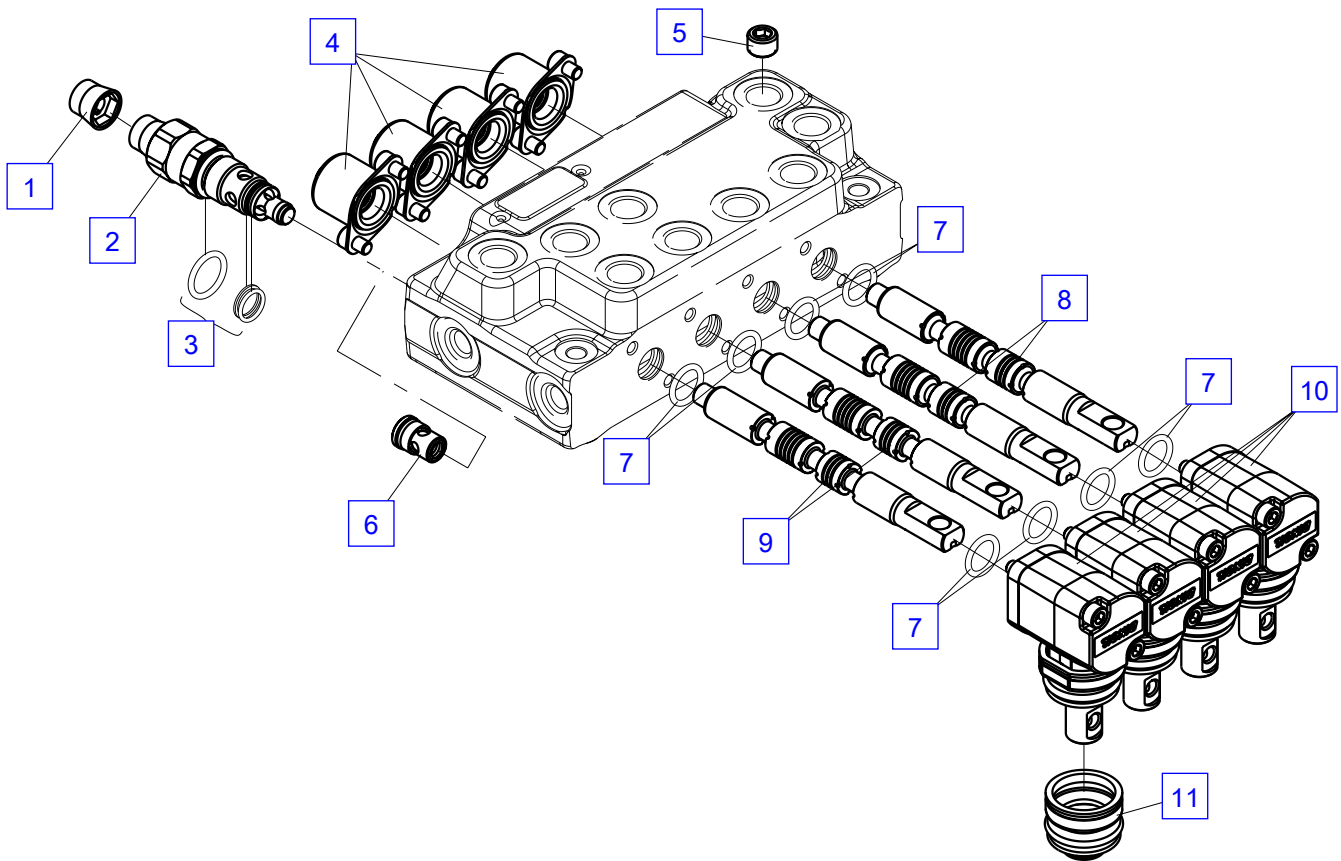
## Control valve (2-sections) Dinoil

No.	Spare part	Qty.	Description	Dimension
1	EK1458	1	Sealing cap	
2	EV6234/160	1	Main relief valve	
3	TD1708	1	Seal kit	
4	EK1459	2	Spring cap	
5	ES2015	1	High pressure carry over port	
6	EV6233	1	Check valve	
7	ED1319	4	O-ring	
8	EV6232	2	Control spool	
9	EK1455	2	Lever support	
10	EK1456	1	Folded bellows	



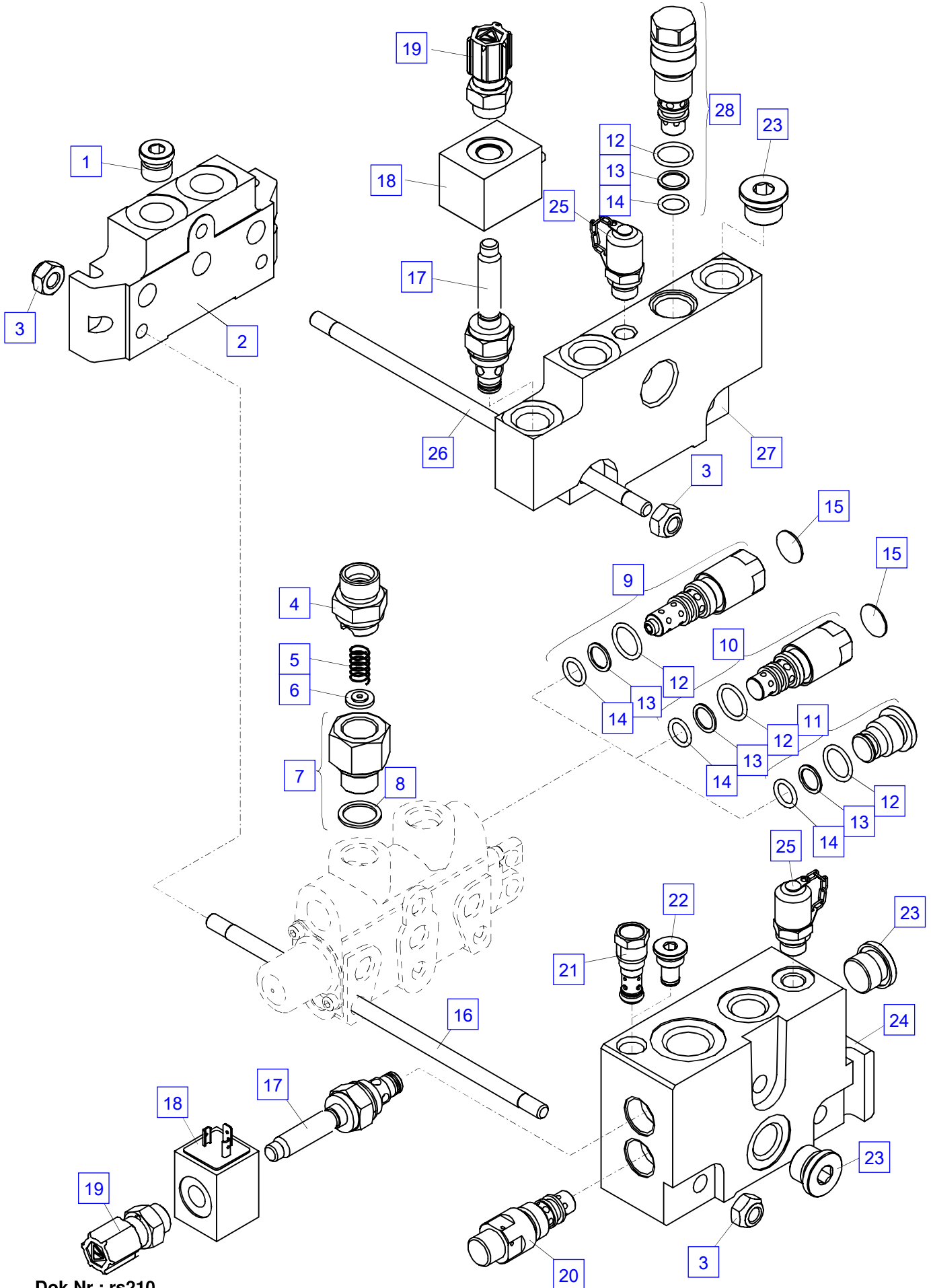
## Control valve (4-sections) Dinoil

No.	Spare part	Qty.	Description	Dimension
1	EK1458	1	Sealing cap	
2	EV6234/160	1	Main relief valve	
3	TD1708	1	Seal kit	
4	EK1459	4	Spring cap	
5	ES2015	1	High pressure carry over port	
6	EV6233	1	Check valve	
7	ED1319	8	O-ring	
8	EV6263A	2	Control spool	
9	EV6232	2	Control spool	
10	EK1455	4	Lever support	
11	EK1456	1	Folded bellows	



Control valve RS210

No.	Spare part	Qty.	Description	Dimension
1	EV 784	1	High pressure carry over port	
2	EV 472	1	End cover	
3	EM 021	6	Nut	DIN 985 M10 CL8 ZB
4	EA 590	0	Fitting	GE 12 SR 1/2"ED
5	EF 008	0	Spring	D 11x0.8x22
6	HD 108	0	Restrictor	D 1,0 mm
	HD 376	1	Restrictor	D 1,5 mm
6	HD 376	0	Restrictor	D 1,5 mm
7	HLA 372	0	Fitting	
8	ED 170	0	Seal ring	R 1/2"
9	EV 043/...	0	Relief pressure valve w/ anti cavitation valve	... bar
10	EV 044/...	0	Pressure relief valve	... bar
11	EV 049	0	Blind plug	
12	EO 025	0	O-ring	D 17,3x2,4
13	ED 055	0	Back up ring	
14	EO 026	0	O-ring	D 12,3x2,4
15	EB 925	0	Lead seal	
16	ES 065	3	Tension rod (4-elements)	
16	ES 066	3	Tension rod (5-elements)	
16	ES 067	3	Tension rod (6-elements)	
16	ES 068	3	Tension rod (7-elements)	
17	EV4615	1	Solenoid valve	
	TD 239	1	Seal kit	
18	EV2811	1	Magnet coil d=13 mm	12 V
18	EV2812	1	Magnet coil d=13 mm	26 V
19	HLA1123	1	Protecting cap	
20	EV2552	1	Pressure compensator	
21	EV5714	1	Main relief valve	35-350 bar
	TD 955	1	Seal kit	
22	EV2773	1	Blind plug	
	TD 954	1	Seal kit	
23	EA 261	0	Locking screw	VSTI R1/2"
24	EV2085A	1	Inlet element	
	TD 636	1	Seal kit	
25	EA 716	1	Dial gauge connection	EMA3 R1/4"
26	ES 310	3	Tension rod (5-elements)	
27	EV2723	1	Inlet element	
28	EV5118	1	Main relief valve	35-350 bar



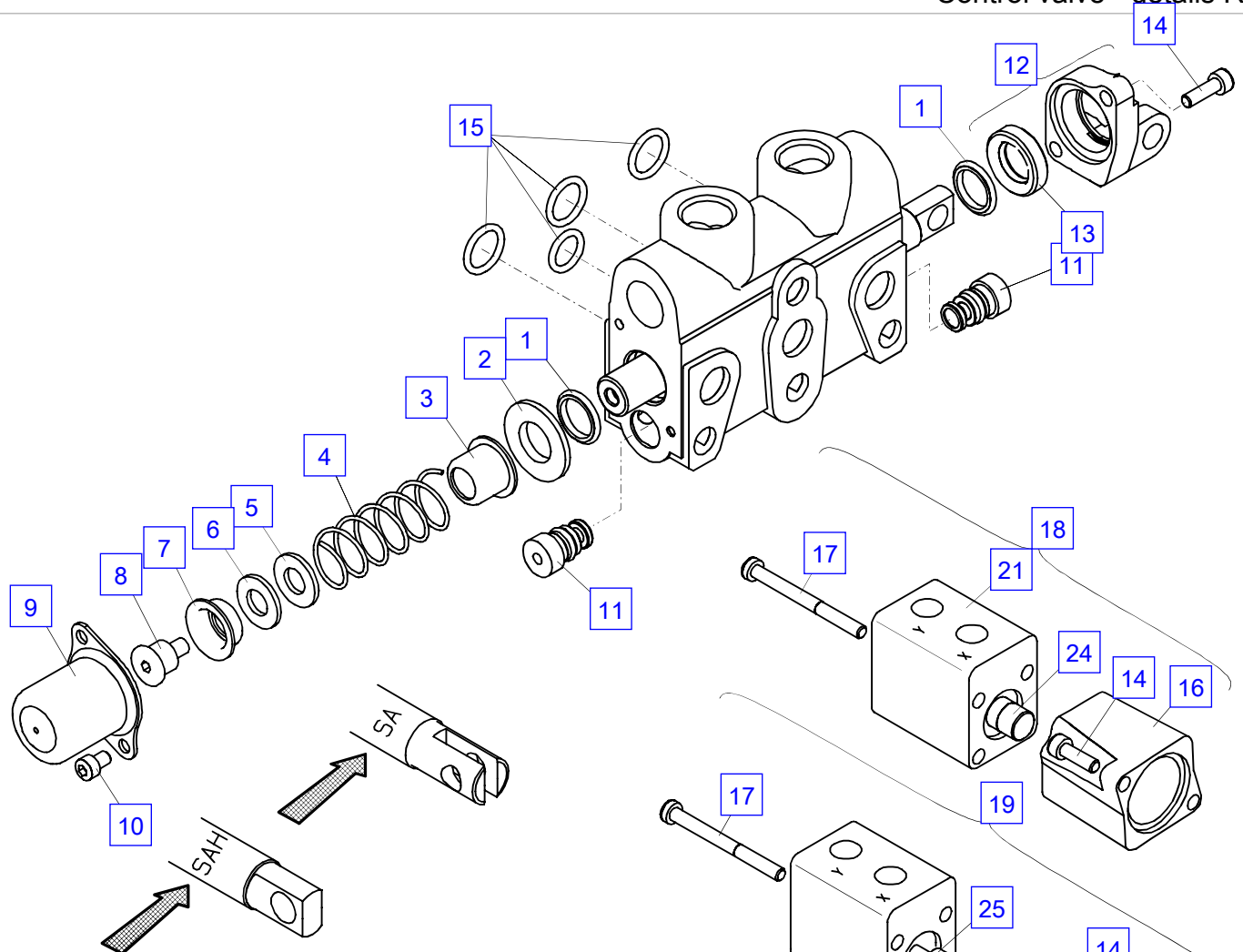
Dok Nr.: rs210

Control valve - details RS210

No.	Spare part	Qty.	Description	Dimension
1	ED 076	2	O-ring with back up ring	
2	EK 120	1	Washer	
3	EK 122	1	Spring cap	
4	EF 036	1	Pressure spring	
5	EK 724	1	Washer (slewing)	s=0.5 mm
6	EK 746	1	Washer (slewing)	s=0.3 mm
7	EK 121	1	Spring cap	
8	ES 176	1	Screw	NORDHYDRAULIK NR. 2646971
9	EV 982	1	Spring cap	
10	ES 497	2	Screw	M 5x6 DIN 912
11	EV 164	2	Check valve	
12	EV4462	1	Lever bearing (+13)	
13	ER 009	1	Seal ring	
14	ES 172	6	Screw	M 5x16 DIN 912
15	TD 050	0	Seal kit	
16	EV1121	3	Spring cap	
17	ES 316	4	Screw	M 5x55 DIN 7984
18	EV1093	1	Lock cylinder, cpl. (pushing)	
19	EV1094	1	Lock cylinder, cpl. (pulling)	
20	EV5451	1	Lock cylinder, cpl. (double-acting)	
	TD1144	1	Seal kit	
21	EV1122	1	Lock cylinder (pushing)	
22	EV1123	1	Lock cylinder (pulling)	
23	EV2758	1	Lock cylinder (double-acting)	
24	EV1573	1	Piston (pushing)	
25	EV1572	1	Piston (pulling)	
26	ES 498	1	Traction screw	FÜR EV 983
27	EV2759	1	Piston (double-acting)	
28	ES1055	1	Traction screw	
29	ES1054	2	Screw	M 5x80 DIN 912
30	EV3614	1	Spool position control (Paltronic)	
31	EV5090	1	Spool position control (Paltronic)	



**Control valve - details RS210**



**Kennzeichnung der Schieberstange**

*Indication of piston rod*

*Caracterisation de tige de piston*

- 1 = Standard Schieberstange**
- 2 = Schieberstange mit offener Nullstellung**
- 3 = Schieberstange für Schwenkelement**
- 4 = Schieberstange mit beidseitiger Leckagenut**
- 5 = Schieberstange mit Leckagenut Seite-A**
- 6 = Schieberstange mit Leckagenut Seite-B**
- 7 = Schieberstange ohne Leckagenut**

- 1 = Standard piston rod*
- 2 = Piston rod with open O-position*
- 3 = Piston rod for slewing system*
- 4 = Piston rod with drain groove both sided*
- 5 = Piston rod with drain groove side-A*
- 6 = Piston rod with drain groove side-B*
- 7 = Piston rod without drain groove*

- 1 = Tige de piston standard*
- 2 = Tige de piston avec position ouvert*
- 3 = Tige de piston pour element de rotation*
- 4 = Tige de piston avec mise a vide deux cotes*
- 5 = Tige de piston avec mise a vide cote-A*
- 6 = Tige de piston avec mise a vide cote-B*
- 7 = Tige de piston sans mise a vide*

**Max. Durchflußmenge**  
*Quantity of flow max.*  
**Quantite de passage max.**

**Druckwaage**  
*Pressure compensator*  
**Balance de pression**

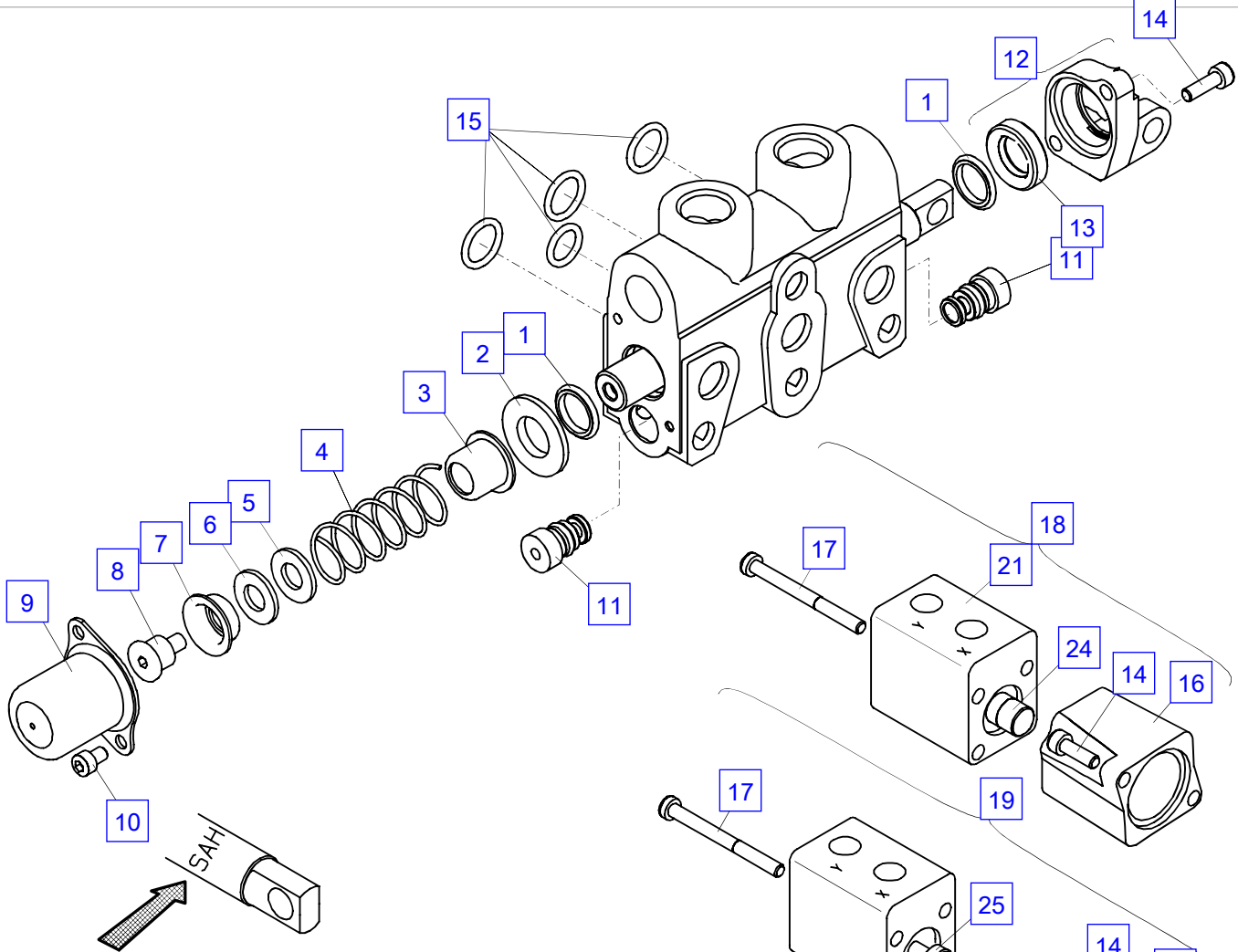
	20-30l	30-50l	35-60l	35-50l	35-60l	
1	1DH	1KH	1KH	1KH	1KH	
2	4DH	4KH	4KH	4KH	4KH	
3	12SAH,13SAH	14SAH,15SAH	14SBH	12SAH	12SBH	
4	12ZAH,13ZAH	14ZAH,15ZAH	14ZAH	12ZAH	12ZAH	F
	12ZBH	14ZBH	14ZBH	12ZBH	12ZBH	H
5	12XAH,13XA(B)H	14XAH,15XAH	14XAH	12XAH	12XAH	
6	12YAH	14YAH	14YAH	12YAH	12YAH	
7	13ABH	15ABH				

**Dok Nr.: rs210**

Control valve - details RS210

No.	Spare part	Qty.	Description	Dimension
1	ED 076	2	O-ring with back up ring	
2	EK 120	1	Washer	
3	EK 122	1	Spring cap	
4	EF 036	1	Pressure spring	
5	EK 724	1	Washer (slewing)	s=0.5 mm
6	EK 746	1	Washer (slewing)	s=0.3 mm
7	EK 121	1	Spring cap	
8	ES 176	1	Screw	NORDHYDRAULIK NR. 2646971
9	EV 982	1	Spring cap	
10	ES 497	2	Screw	M 5x6 DIN 912
11	EV 164	2	Check valve	
12	EV4462	1	Lever bearing (+13)	
13	ER 009	1	Seal ring	
14	ES 172	6	Screw	M 5x16 DIN 912
15	TD 050	0	Seal kit	
16	EV1121	3	Spring cap	
17	ES 316	4	Screw	M 5x55 DIN 7984
18	EV1093	1	Lock cylinder, cpl. (pushing)	
19	EV1094	1	Lock cylinder, cpl. (pulling)	
20	EV5451	1	Lock cylinder, cpl. (double-acting)	
	TD1144	1	Seal kit	
21	EV1122	1	Lock cylinder (pushing)	
22	EV1123	1	Lock cylinder (pulling)	
23	EV2758	1	Lock cylinder (double-acting)	
24	EV1573	1	Piston (pushing)	
25	EV1572	1	Piston (pulling)	
26	ES 498	1	Traction screw	FÜR EV 983
27	EV2759	1	Piston (double-acting)	
28	ES1055	1	Traction screw	
29	ES1054	2	Screw	M 5x80 DIN 912
30	EV3614	1	Spool position control (Paltronic)	
31	EV5090	1	Spool position control (Paltronic)	

**Control valve - details RS210**



**Kennzeichnung der Schieberstange**

Indication of piston rod  
Caracterisation de tige de piston

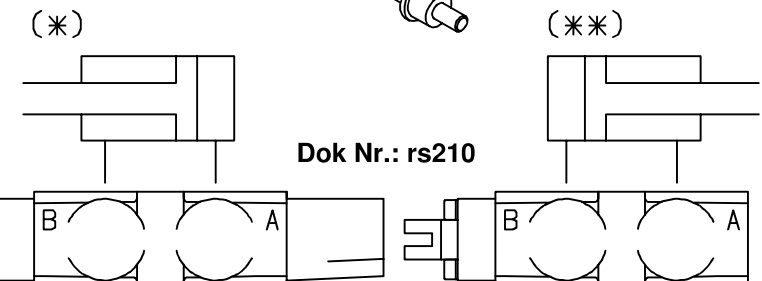
Nominal discharge/pump  
Debit nominal/pompe **40-60l**

1		
2	125SAH	
3	125ABH	125ADH
4	125ACH	125AEH
5	125ZCH	125ZAH
6		

- 1 = Standard Schieberstange
- 2 = Schieberstange für Schwenkelement
- 3 = Schieberstange asymmetrisch Anschluß (\*)
- 4 = Schieberstange asymmetrisch Anschluß (\*\*)
- 5 = Schieberstange mit beidseitiger Leckagenut
- 6 = Schieberstange mit offener Nullstellung

- 1 = Standard piston rod
- 2 = Piston rod for slewing system
- 3 = Piston rod assymetric terminal (\*)
- 4 = Piston rod assymetric terminal (\*\*)
- 5 = Piston rod with drain groove both sided
- 6 = Piston rod with open O-position

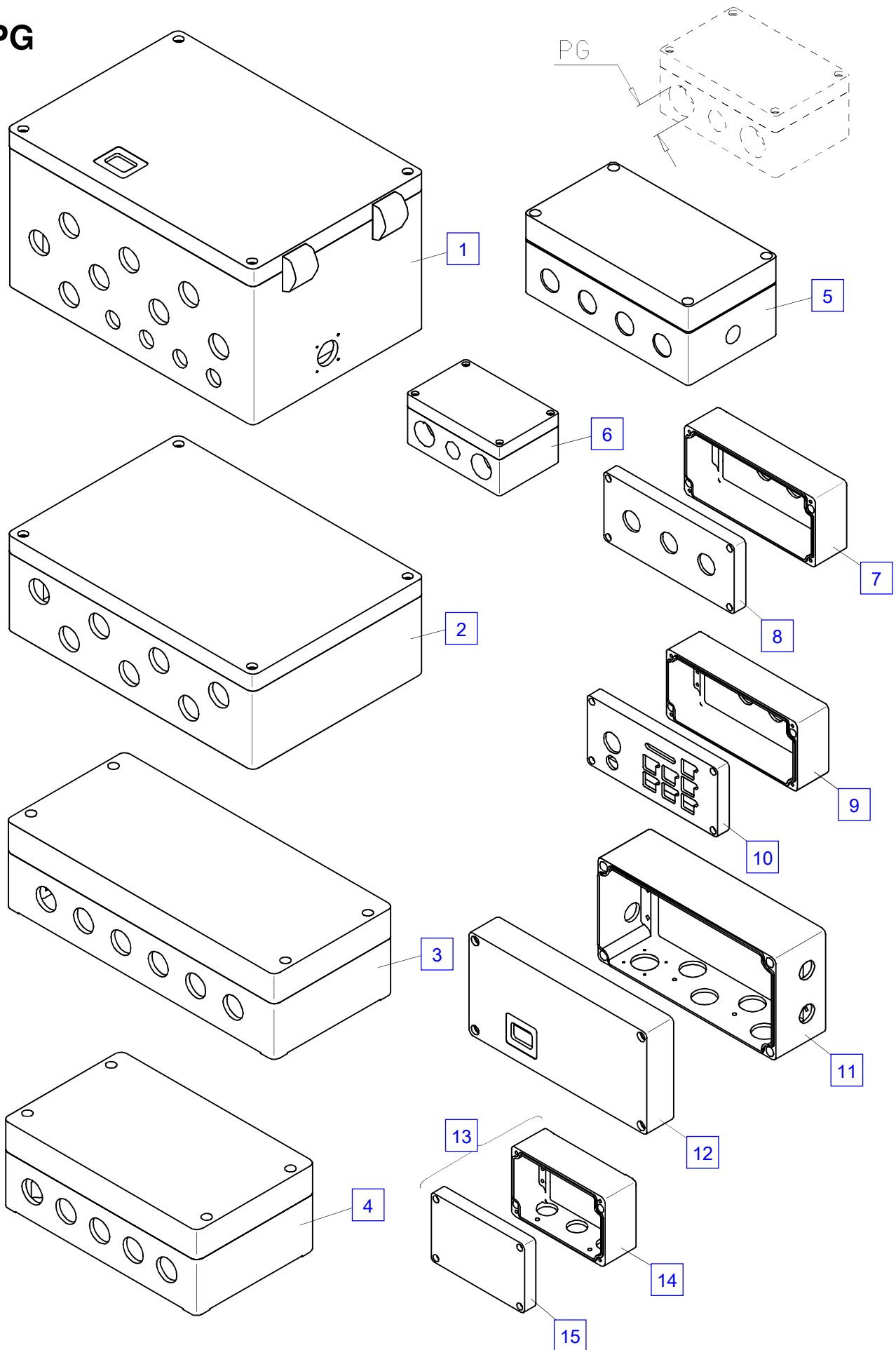
- 1 = Tige de piston standard
- 2 = Tige de piston pour element de rotation
- 3 = Tige de piston asymetriques borne (\*)
- 4 = Tige de piston asymetriques borne (\*\*)
- 5 = Tige de piston avec mise a vide deux cotes
- 6 = Tige de piston avec position ouvert



## Housing - PG

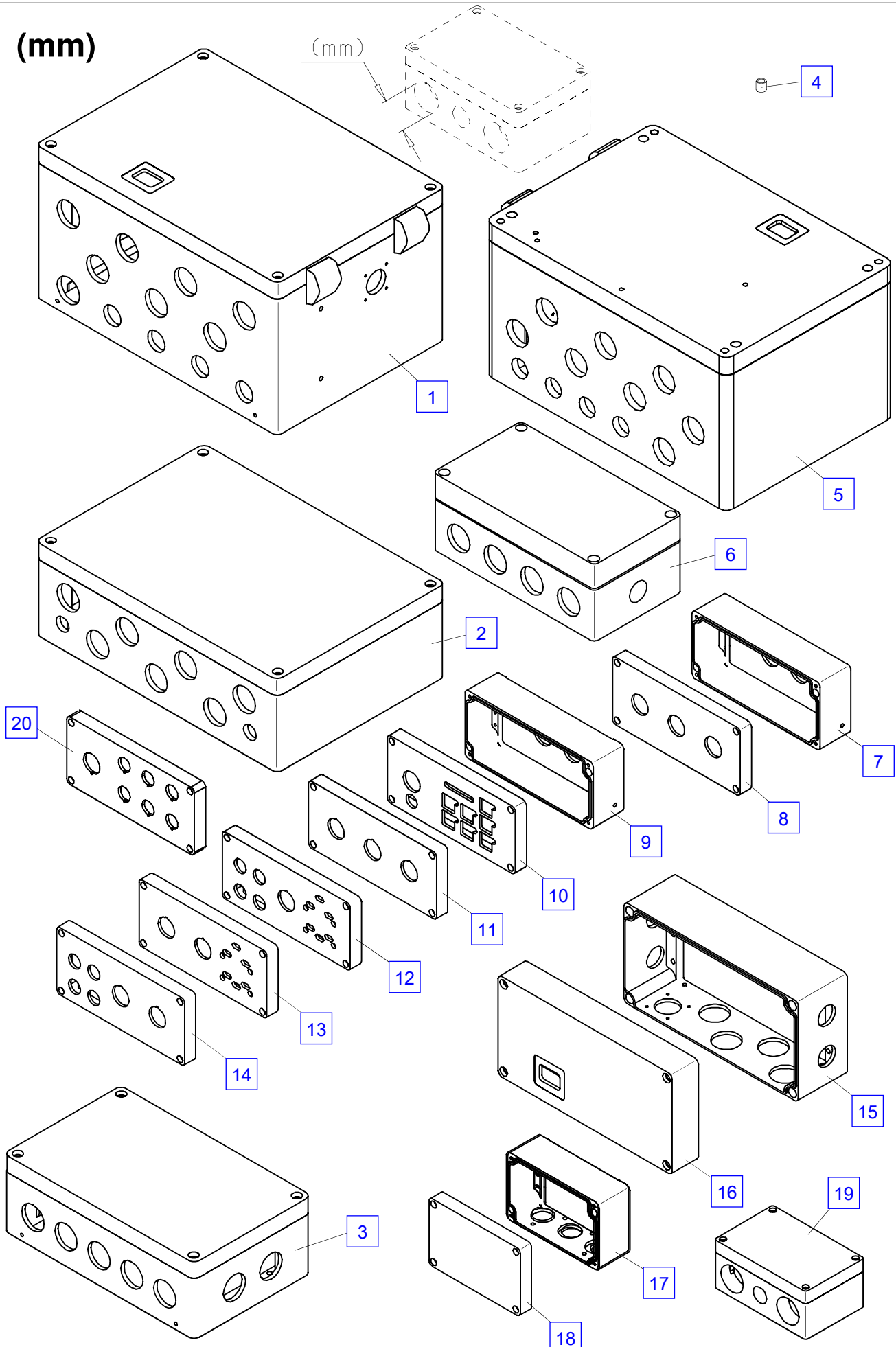
No.	Spare part	Qty.	Description	Dimension
1	EEA2842	1	Connection box	330x230x180
2	EEA 788	1	Connection box	330x230x110
3	HEEA 200	1	Connection box	360x160x90
4	EEA2695	1	Connection box	260x160x100
5	EEA1691	1	Connection box	220x120x91
6	EEA 928	1	Connection box	125x80x57
7	EEA2891	1	Base	
8	EEA2892	1	Cover (PVC)	175x80x15
9	EEA2707	1	Base	PG13.5
10	EEA2706	1	Cover	
11	EEA2703	1	Base	
12	EEA2702	1	Cover	
13	EEA1695	1	Connection box	125x80x57
14	EEA2705	1	Base	
15	EEA2704	1	Cover	

**PG**



Housing - (mm) 1

No.	Spare part	Qty.	Description	Dimension
1	EEA3696	1	Connection box 4xM 25x1.5+8xM 32x1.5	330x230x180 mm
	ED2131	1	Sealing profile	
2	EEA3686	1	Connection box 7xM 20x1.5+9xM 32x1.5	330x230x110 mm
	ES3569	4	Screw	M 6x35 ISO4762
	ES3567	4	Screw	M 6x25 ISO4762
	ES3568	4	Screw	M 6x30 ISO4762
3	EEA3687	1	Connection box	260x160x100
	ES3569	4	Screw	M 6x35 ISO4762
	ES3567	4	Screw	M 6x25 ISO4762
	ES3568	4	Screw	M 6x30 ISO4762
4	EEA2887	4	Spacer (NK)	l=10 mm
5	EEA3547	1	Connection box 4xM 25x1.5+8xM 32x1.5	330x230x180 mm
6	EEA3693	1	Connection box 1xM 25x1.5+4xM 32x1.5	220x120x91 mm
7	EEA3691	1	Base (PVC) (PVC)	175x80x43.5
8	EEA2892	1	Cover (PVC)	175x80x15
9	EEA3689	1	Base	175x80x43.5
10	EEA2706	1	Cover	
11	EEA4143	1	Cover	
12	EEA4700	1	Cover	
13	EEA4701	1	Cover	
14	EEA4702	1	Cover	
15	EEA3692	1	Base	238x119x68.8
16	EEA2702	1	Cover	
17	EEA3690	1	Base	
18	EEA2704	1	Cover	
19	EEA3685	1	Connection box	125x80x57 mm
19	EEA5473	1	Connection box 4xM 25x1.5+2xM 32x1.5	140x140x92 mm
20	EEA 163	1	Cover	175x80x15

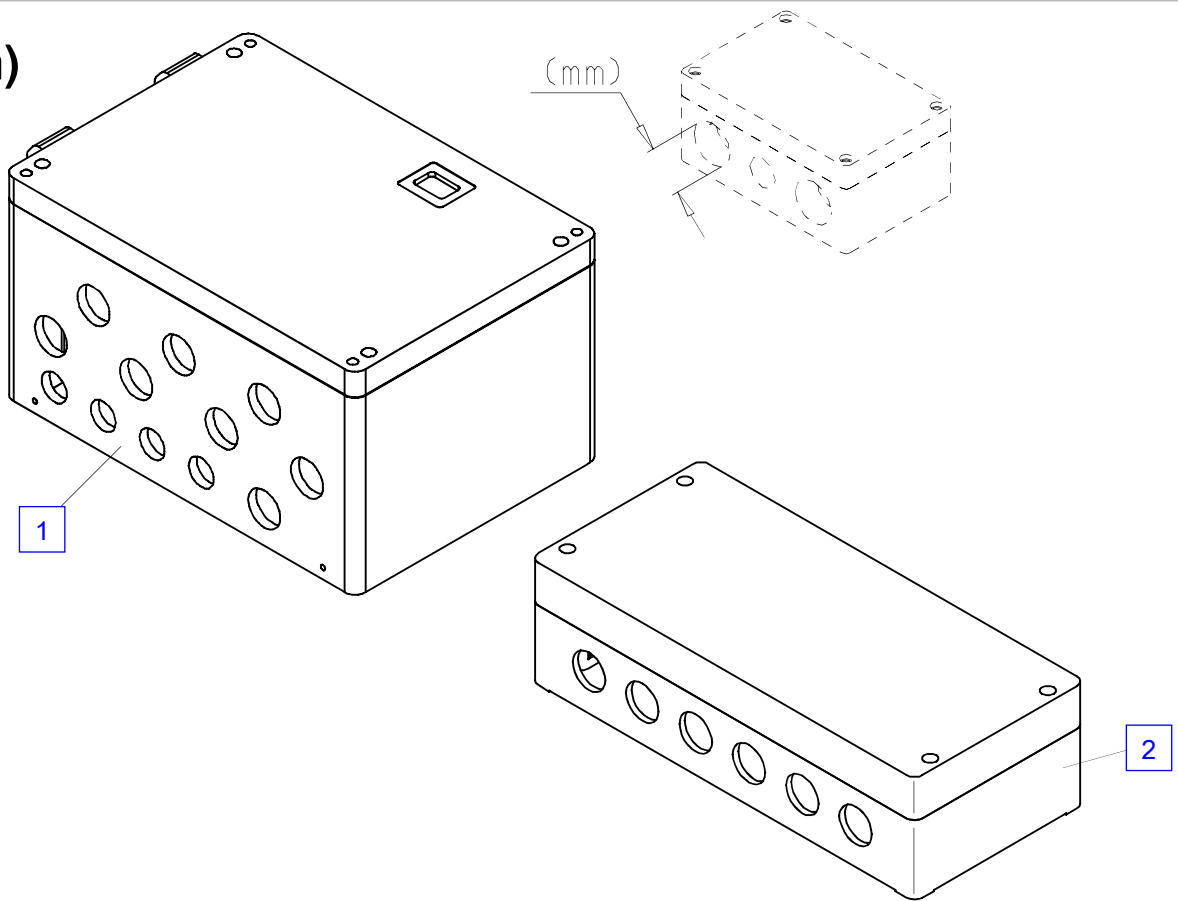


Housing - (mm) 2

No.	Spare part	Qty.	Description	Dimension
1	EEA4244	1	Connection box 4xM 25x1.5+10xM 32x1.5	330x230x180 mm
	ES3569	4	Screw	M 6x35 ISO4762
	ES3567	4	Screw	M 6x25 ISO4762
	ES3568	4	Screw	M 6x30 ISO4762
2	EEA3688	1	Connection box 2xM 25x1.5+6xM 32x1.5	360x160x90 mm
	ES3567	4	Screw	M 6x25 ISO4762
	ES3568	4	Screw	M 6x30 ISO4762
	ES3569	4	Screw	M 6x35 ISO4762

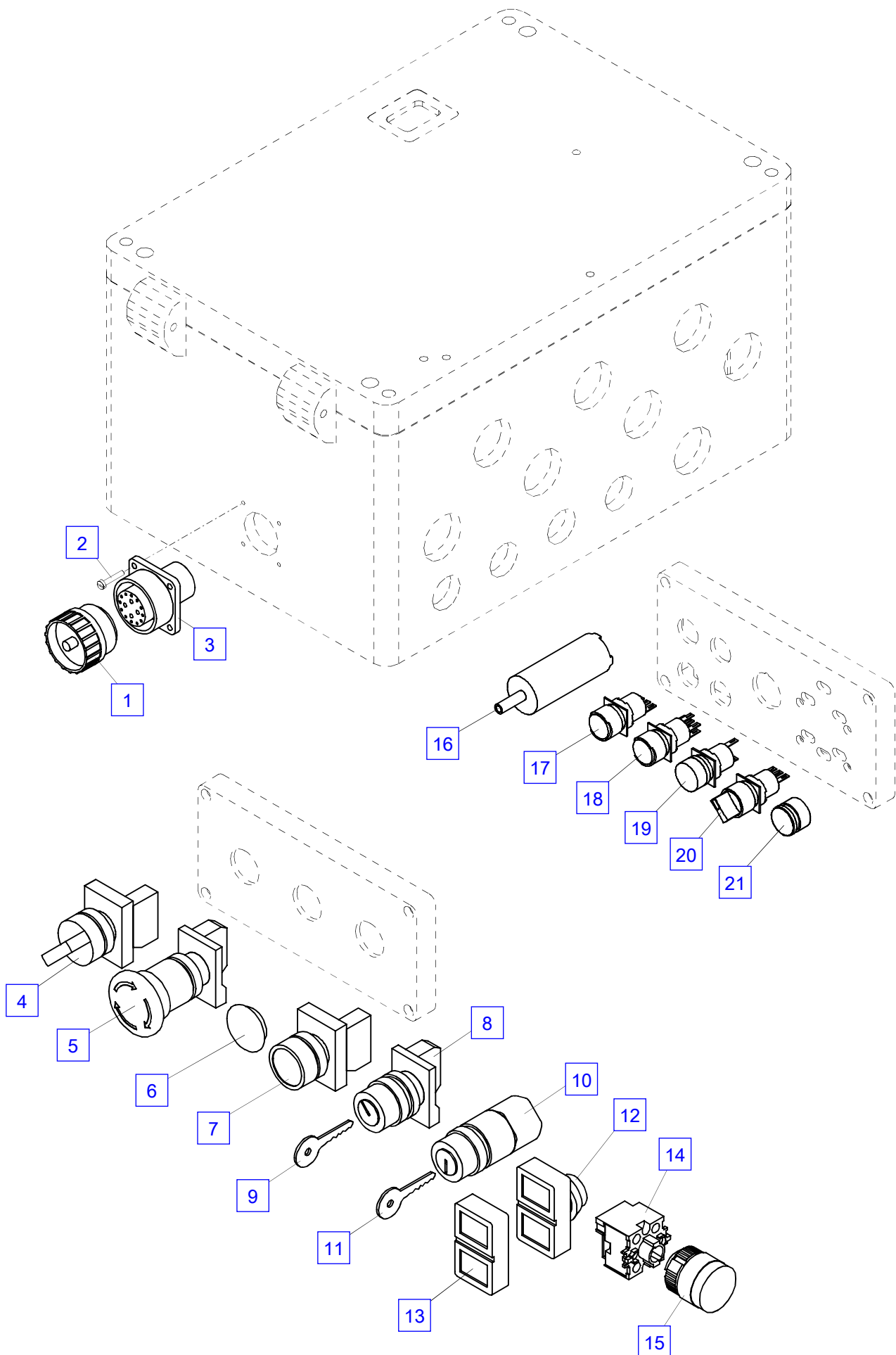


(mm)



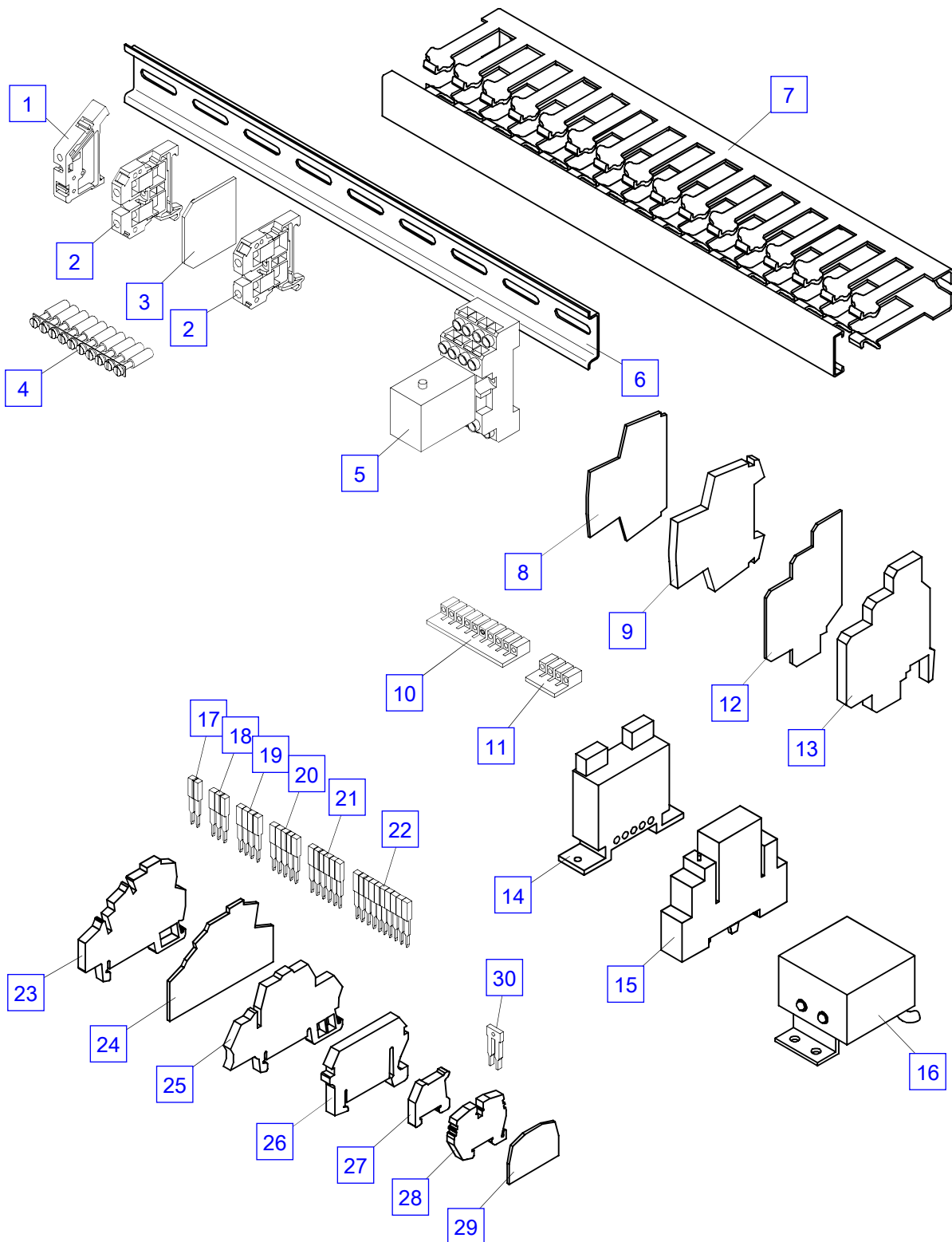
Switch

No.	Spare part	Qty.	Description	Dimension
1	EK 370	1	Protecting cap 14+PE	C16-3
2	ES 412	4	Screw	M 3x16 DIN 84
3	EEA 599	1	Plug box 14+PE	C16-3
	EEA5498	1	Contact	C16-3 0.5-1.5 mm <sup>2</sup>
	EEA5500	1	Contact	C16-3 0.75-1 mm <sup>2</sup>
	EEA 602	1	Contact	C16-3
	EEA 605	1	Contact	C16-3
4	EEA3008	1	Switch, black	
5	EEA2998	1	Emergency cut-off button	
6	EEA3001	1	Blind plug	
7	EEA2999	1	Button cpl. (normally open)	
	EEA5000	1	LED-module (green) without bearing	12V
	EEA5001	1	LED-module (red) without bearing	12V
	EEA5002	1	LED-module (yellow) without bearing	12V
	EEA5003	1	LED-module (blue) without bearing	12V
	EEA4183	1	Contact (normally open)	
	EEA3571	1	Protecting cap	
8	EEA3000	1	Key switch (2-positions) (2 positions)	
9	EEA3156	1	Key for EEA3000	RONIS 455
10	EEA3002	1	Key switch (3-positions) (3 positions)	
11	EEA3157	1	Key for EEA3002	RONIS 601
12	EEA3777	1	Switch	
13	EEA3778	1	Protecting cap	
14	EEA3268	2	Contact (normally open)	
15	EEA3311	2	Front element	
16	EEA4729	1	Installation Key	
17	EEA4722	1	Push button, black	
18	EEA4723	1	Push button, green	
18	EEA4725	1	Push button, green withLED	
19	EEA4724	1	Alarm lamp, green	
20	EEA4728	1	Switch	
21	EEA5041	1	Blind plug	



Electrical parts

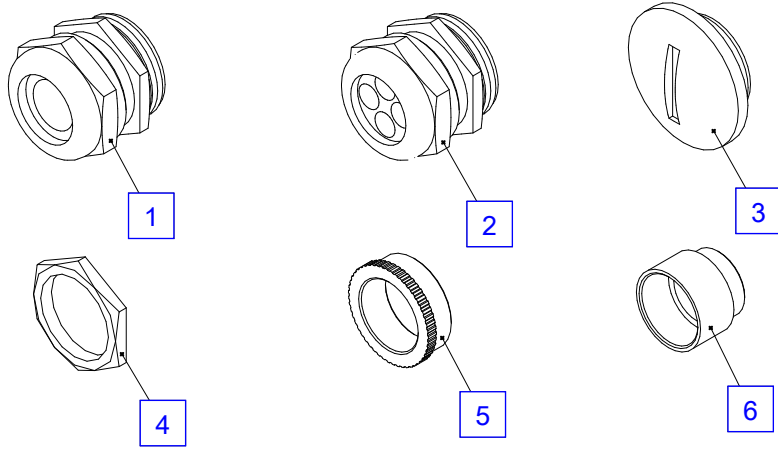
No.	Spare part	Qty.	Description	Dimension
1	EEA 195	0	End terminal	
2	EEA 234	0	Line-up terminal	SAKD 2.5/035
3	EEA 516	0	Plate	
4	EEA 594	0	Cross connection	10-fach
5	EE 102	0	Relay	24V 7A
5	EE 105	0	Relay	12V 7A
6	EEA 219	0	Bearing rail Metered good	
7	EEA 241	0	Cable duct Metered good	h=60 mm b=25 mm
8	EEA3075	0	Stop plate	WAP/WDK 2.5
9	EEA3074	0	Line-up terminal	WDK 2.5
9	EEA4071	0	Line-up terminal	WDK 2.5 LD
10	EEA3073	0	Cross connection	WQV 2.5/10
11	EEA3076	0	Cross connection	WQV 2,5/4
12	EEA3972	0	Stop plate	12V
13	EEA4971	0	Relay	12V 6A
13	EEA4972	0	Relay	24V 6A
13	EEA4255	0	Relay	12V 6A
13	EEA3971	0	Relay	24V 6A
14	EEA5060	1	Time lag relay	8...32Vdc
15	EE 101	0	Relay	24V 12A
15	EE 104	0	Relay	12V 12A
15	EE 127	0	Relay (2-de poles)	24V 8A
15	EE 128	0	Relay (2-de poles)	12V 8A
15	EEA1456	0	Relay Workman basket	24V 4A
15	EEA1812	0	Relay	24V 16A
15	EEA2419	0	Relay	12V 16A
15	EEA4088	0	Relay - gold kontakt	24V 6A
15	EEA4089	0	Relay - gold kontakt	12V 6A
16	EE 020	1	Relay	12V 20A
16	EE 024	1	Relay	24V 10A
17	EEA4552	1	Cross connection (2-sections)	ZDK 27.6 mm
18	EEA4553	1	Cross connection (3-sections)	ZDK 27.6 mm
19	EEA4554	1	Cross connection (4-sections)	ZDK 27.6 mm
20	EEA4555	1	Cross connection (5-sections)	ZDK 27.6 mm
21	EEA4556	1	Cross connection (6-sections)	ZDK 27.6 mm
22	EEA4557	1	Cross connection (10-sections)	ZDK 27.6 mm
23	EEA4550	1	Line-up terminal	ZDK max. 2.5 <sup>2</sup>
24	EEA4551	1	Stop plate	ZDK 27.6 mm
25	EEA4559	1	Line-up terminal LED withLED	ZDK max. 2.5 <sup>2</sup>
26	EEA4558	1	End terminal	ZDK
27	EEA4547	1	End terminal	ZDK
28	EEA4543	1	Line-up terminal	ZDK max. 2.5 <sup>2</sup>
29	EEA4546	1	Connection plate	ZDK
30	EEA4548	1	Cross connection (2-sections)	ZDK 23 mm



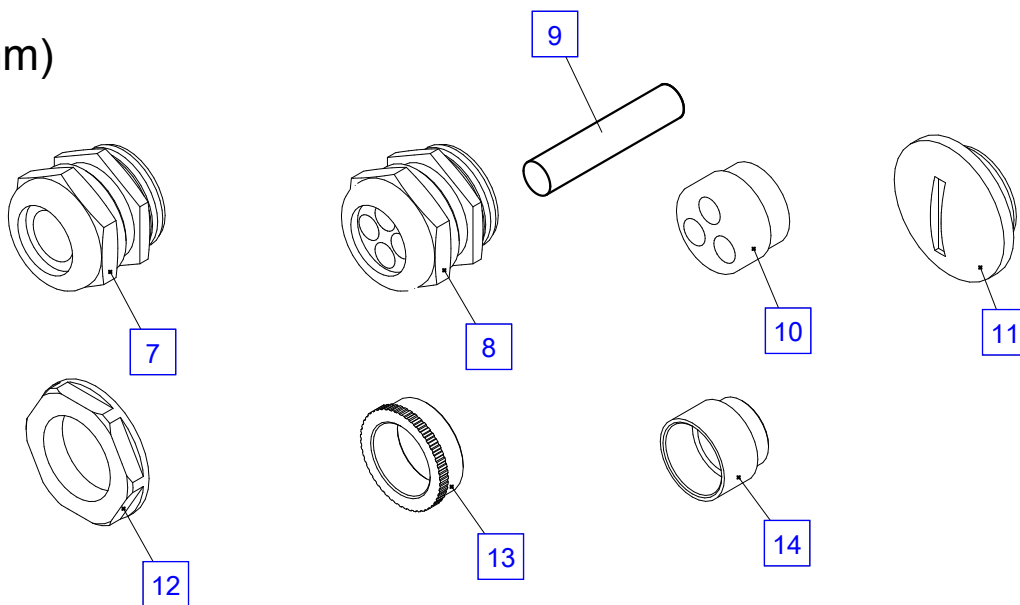
Fitting

No.	Spare part	Qty.	Description	Dimension
1	EEA 508	1	Fitting	PG 9
1	EEA 509	1	Fitting	PG 11
1	EEA 510	1	Fitting	PG 13.5
1	EEA 511	1	Pressure connection	
1	EEA 512	1	Pressure connection	PG 21
2	EEA 513	1	Pressure connection	PG 31 4x6
2	EEA1754	1	Fitting	PG 13.5 4x4 mm
3	EEA 279	1	Blind plug	PG 13,5
3	EEA 280	1	Blind plug	PG 16
3	EEA 281	1	Blind plug	PG 21
4	EEA1473	1	Counter nut	
4	EEA1474	1	Counter nut	
4	EEA1475	1	Counter nut	
5	EEA 262	1	Reduction	PG 21/16
5	EEA 285	1	Reduction	PG 13.5/11
6	EEA 291	1	Extension	PG 11-13.5
6	EEA 293	1	Extension	PG 16-21
6	EEA 294	1	Extension	PG 21-29
7	EEA3703	1	Fitting	M 25x1.5 (1x7-17 mm)
7	EEA3704	1	Fitting	M 32x1.5 (1x13-21 mm)
7	EEA3705	1	Fitting	M20x1.5 (1x4-13 mm)
8	EEA3706	1	Fitting	M 32x1.5 (4x5-7 mm)
8	EEA3707	1	Fitting	M 32x1.5 (2x8-10 mm)
8	EEA3708	1	Fitting	M 25x1.5 (4x4-6 mm)
8	EEA3709	1	Fitting	M 25x1.5 (3x5-7 mm)
9	EEA11601	1	Pin	D=5x25 mm
9	EEA11602	1	Pin	D=6x25 mm
9	EEA11603	1	Pin	D=7x25 mm
9	EEA11604	1	Pin	D=8x20 mm
9	EEA11605	1	Pin	D=9x20 mm
10	EEA3710	1	Cartridge	M 32x1.5 (3x6-8 mm)
11	EEA3711	1	Blind plug	M 25x1.5
11	EEA3712	1	Blind plug	M 32x1.5
11	EEA3727	1	Blind plug	M 20x1.5
12	EEA3713	1	Counter nut	M 25x1.5
12	EEA3714	1	Counter nut	M20x1.5
12	EEA3725	1	Counter nut	M 32x1.5
13	EEA3715	1	Reduction	M 32x1.5 - M 25x1.5
13	EEA3726	1	Reduction	M 25x1.5 - M 20x1.5
14	EEA3716	1	Extension	M 25x1.5 - M 32x1.5
14	EEA3728	1	Extension	M 20x1.5 - M 25x1.5

PG



(mm)



Plug - auxiliary equipment

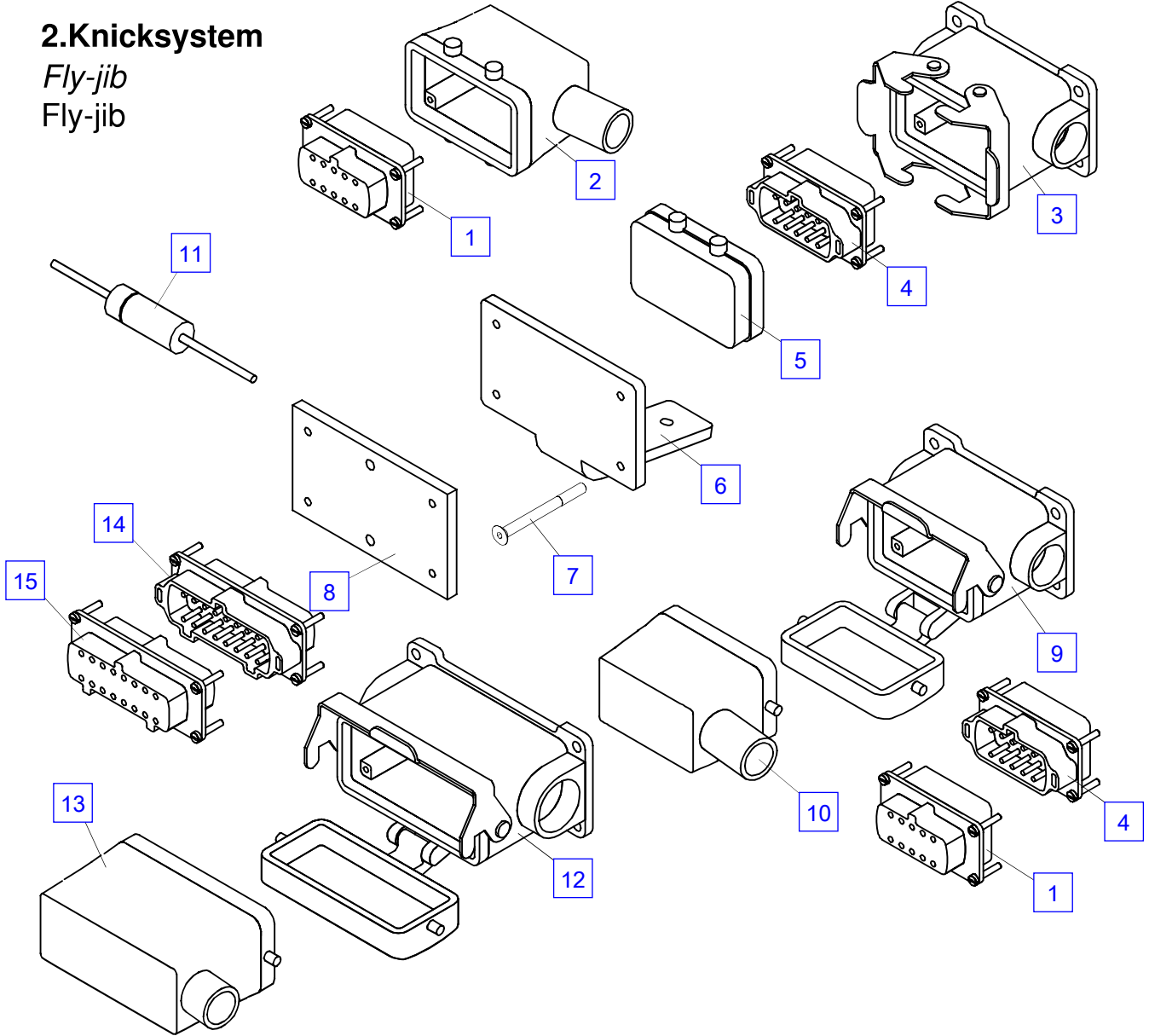
No.	Spare part	Qty.	Description	Dimension
1	EEA1666	1	Female insert (10-pole)	
2	EEA1663	1	Plug case	
3	EEA1664	1	Base case	
4	EEA1665	1	Plug insert (10-pole)	
5	EEA1667	1	Protecting cap	
6	HA6721	1	Bearer	
7	ES 954	4	Screw	M 5x55 DIN 7991
8	HTR3506	1	Fastening plate	
9	EEA3898	1	Base case (10-pole)	M 20x1.5
10	EEA4111	1	Plug case (10-pole)	M 20x1.5
11	EEA2538	1	Resistor	2200 OHM
11	EEA3069	1	Resistor PJ (Version 2.6)	12,7 kΩ / 24V
11	EEA3070	1	Resistor PJ (Version 2.6)	6,2 kΩ / 12V
12	EEA5024	1	Base case (16+40-pole)	M 25x1.5
12	EEA5796	1	Base case (24-pole)	M 32x1.5
13	EEA5025	1	Plug case (16+40-pole)	M 25x1.5
13	EEA5797	1	Plug case (24-pole)	M 32x1.5
14	EEA5026	1	Plug insert (16-pole)	
14	EEA5798	1	Plug insert (24-pole)	
15	EEA5027	1	Female insert (16-pole)	
15	EEA5799	1	Bush insert (24-pole)	
16	EEA3815	1	Plug case	
16	EEA4952	1	Base case (6-pole)	M 20x1.5
17	EEA3816	1	Plug case	
17	EEA4953	1	Plug case (6-pole)	M 25x1.5
18	EEA3817	1	Plug insert (6-pole)	
19	EEA3818	1	Bush insert (6-pole)	
20	HT6038	1	Fastening plate	



**2.Knicksystem**

*Fly-jib*

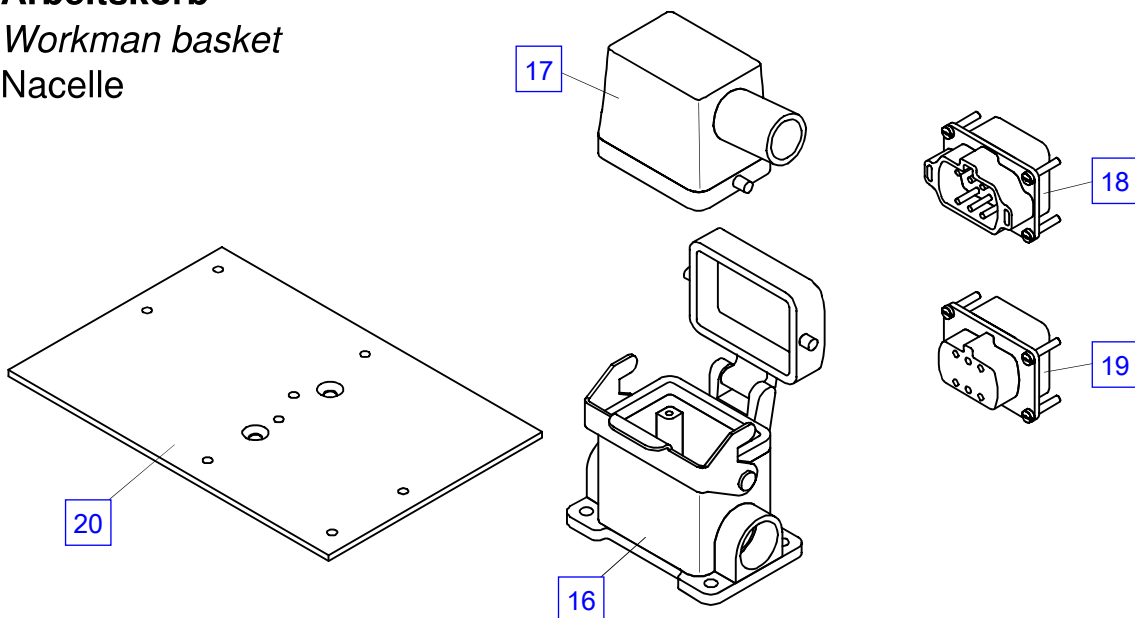
*Fly-jib*



**Arbeitskorb**

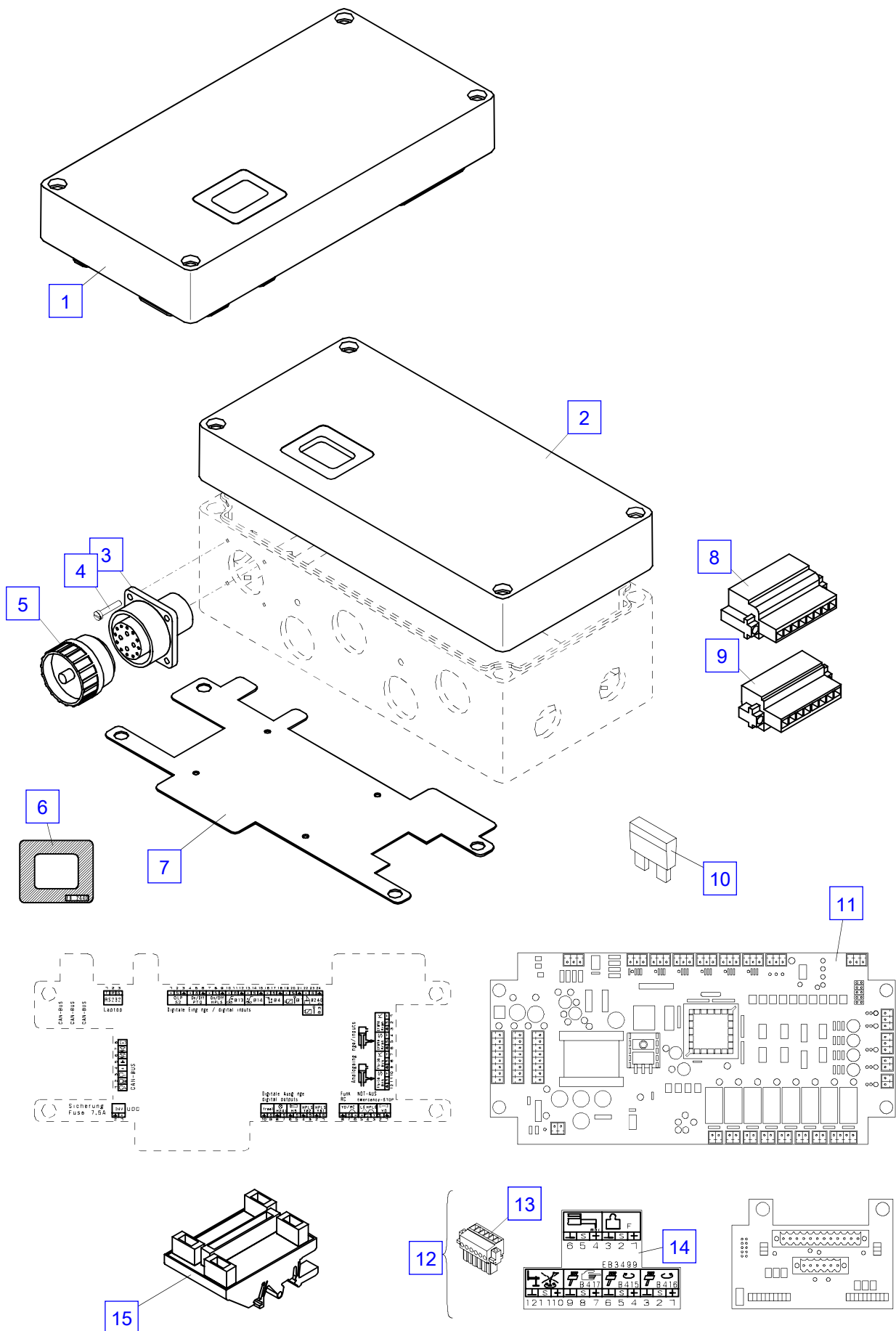
*Workman basket*

*Nacelle*



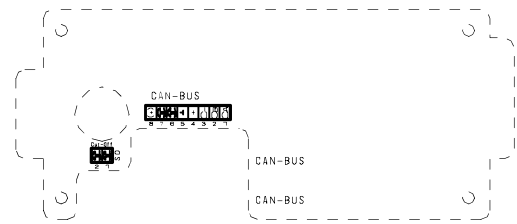
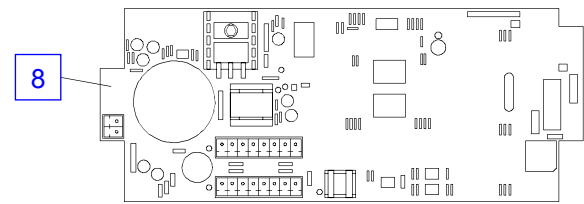
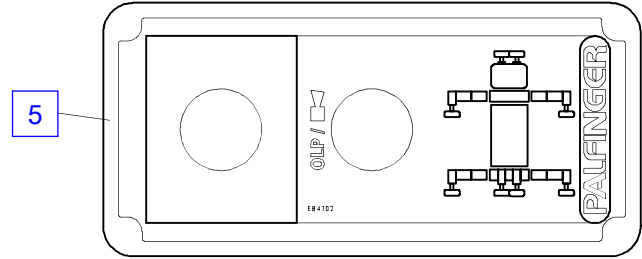
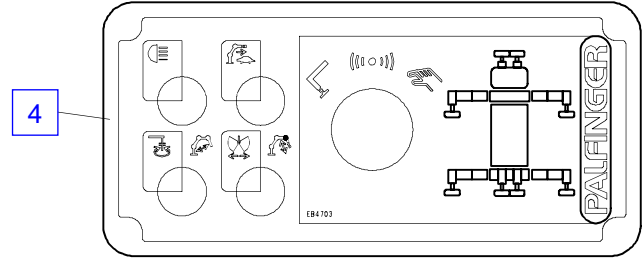
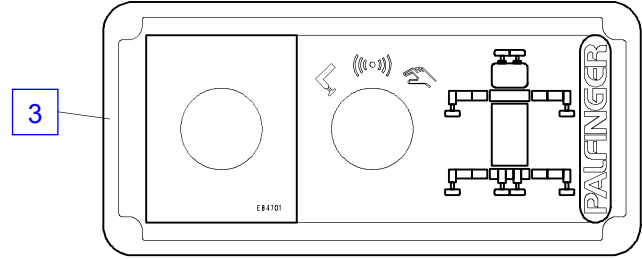
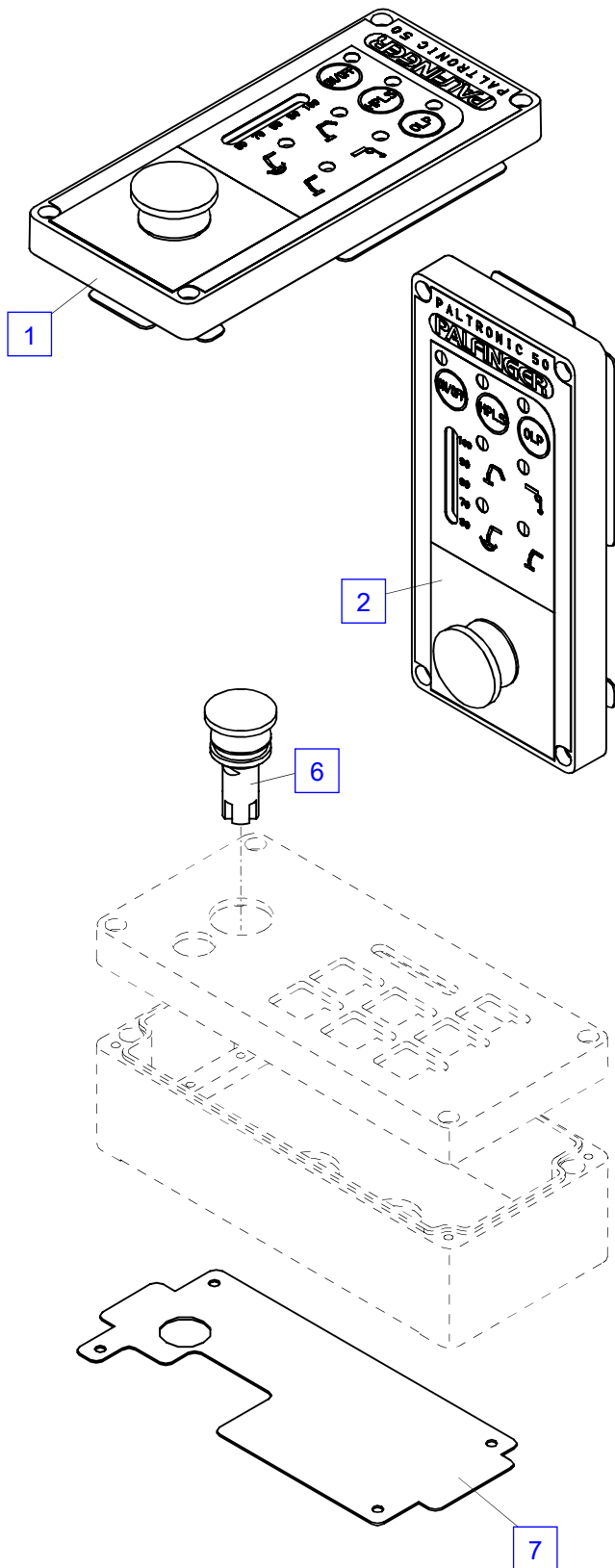
Basic element

No.	Spare part	Qty.	Description	Dimension
1	EEA4054	1	Basic element	Version 3.0
1	EEA4575	1	Basic element cplt.	Version 4.0
2	EEA2702	1	Cover	
3	EEA 599	1	Plug box 14+PE	C16-3
	EEA5498	1	Contact	C16-3 0.5-1.5 mm <sup>2</sup>
	EEA5500	1	Contact	C16-3 0.75-1 mm <sup>2</sup>
	EEA 602	1	Contact	C16-3
	EEA 605	1	Contact	C16-3
4	ES 412	4	Screw	M 3x16 DIN 84
5	EK 370	1	Protecting cap 14+PE	C16-3
6	EB2440	1	Decal	
7	HT1009	1	Cover plate	
8	EEA4591	1	Female strip (2-sections)	Typ BLZF
8	EEA4592	1	Female strip (3-sections)	Typ BLZF
8	EEA4597	1	Female strip (24-sections)	Typ BLZF
8	EEA5034	1	Female strip (4-sections)	Typ BLZF
8	EEA4948	1	Female strip (5-sections)	Typ BLZF
8	EEA4593	1	Female strip (6-sections)	Typ BLZF
8	EEA4594	1	Female strip (8-sections)	Typ BLZF
8	EEA4947	1	Female strip (9-sections)	Typ BLZF
8	EEA4595	1	Female strip (10-sections)	Typ BLZF
8	EEA4596	1	Female strip (12-sections)	Typ BLZF
8	EEA5705	1	Wire plug (15-sections)	Typ BLZF
9	EEA2603	1	Wire plug (2-sections)	Typ BL
9	EEA2698	1	Wire plug (3-sections)	Typ BL
9	EEA1720	1	Wire plug (4-sections)	Typ BL
9	EEA3087	1	Wire plug (6-sections)	Typ BL
9	EEA2604	1	Wire plug (8-sections)	Typ BL
9	EEA2605	1	Female strip (10-sections)	Typ BL
9	EEA2606	1	Wire plug (12-sections)	Typ BL
9	EEA2607	1	Wire plug (24-sections)	Typ BL
10	EEA4577	1	Fuse	5 A
11	EEA4058	1	Attachment board	Version 3.0
11	EEA4576	1	Attachment board	Version 4.0
12	EEA2937	1	Attachment board cplt.	12/24V
13	EEA3087	1	Wire plug (6-sections)	Typ BL
14	EB3499	1	Symbol sign	
15	EEA4658	1	Indicator module	



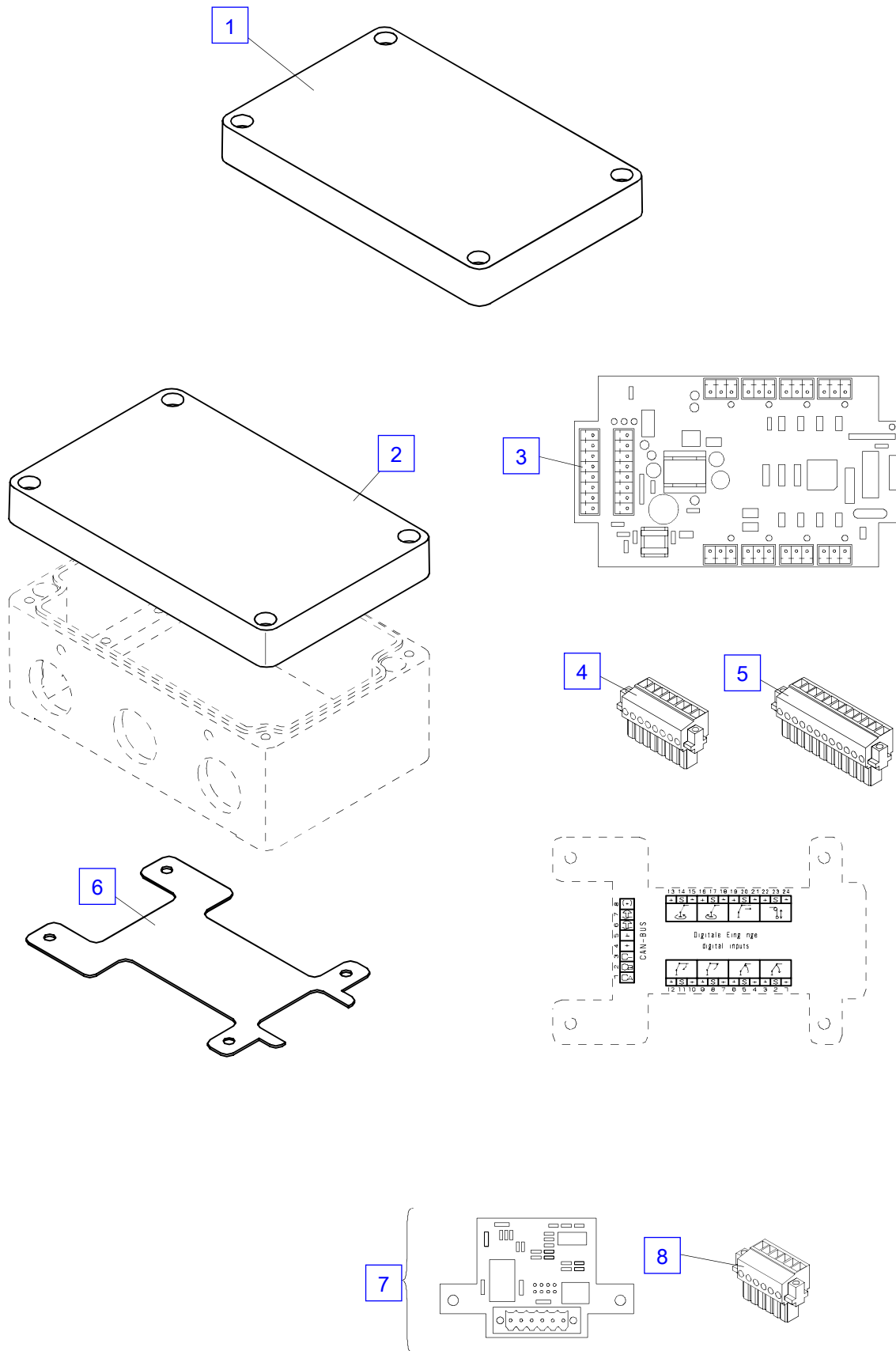
Control unit, cpl.

No.	Spare part	Qty.	Description	Dimension
1	EEA1717	1	Control unit, cpl.	
2	EEA2740	1	Control unit, cpl.	
3	EEA4806	1	Control unit, cpl.	
4	EEA4807	1	Control unit, cpl.	
5	EEA4808	1	Control unit, cpl.	
6	EEA2234	1	Emergency cut-off button	22 mm
6	EEA6077	1	Emergency cut-off button	
7	HT1042	1	Cover plate	
8	EEA1931	1	Attachment board	
9	EEA2603	0	Wire plug (2-sections)	Typ BL
10	EEA2604	0	Wire plug (8-sections)	Typ BL



Valve casing, cpl.

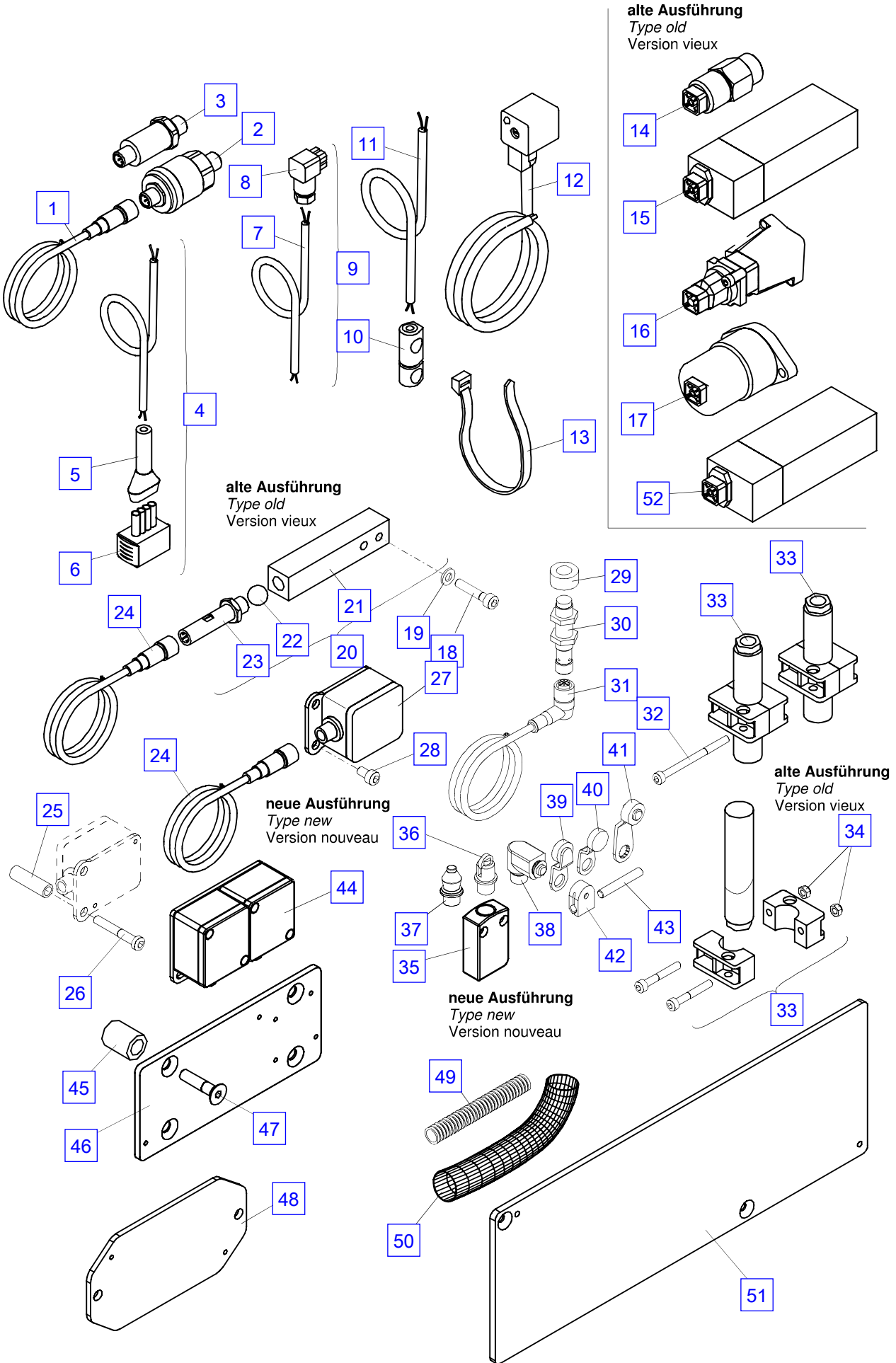
No.	Spare part	Qty.	Description	Dimension
1	EEA1716	1	Valve casing, cpl.	
2	EEA2704	1	Cover	
3	EEA1930B	1	Drawer electronics, cpl.	PAL 50
	EEA12797	1	Spool position board	
	EEA12797B	1	Spool position board	
4	EEA2604	0	Wire plug (8-sections)	Typ BL
5	EEA2606	0	Wire plug (12-sections)	Typ BL
6	HT16686	1	Cover plate	
7	EEA3019	1	Attachment board cpl.	AOS 24V
7	EEA3429	1	Attachment board cpl.	AOS 12V
8	EEA3087	1	Wire plug (6-sections)	Typ BL



Accessories (1)

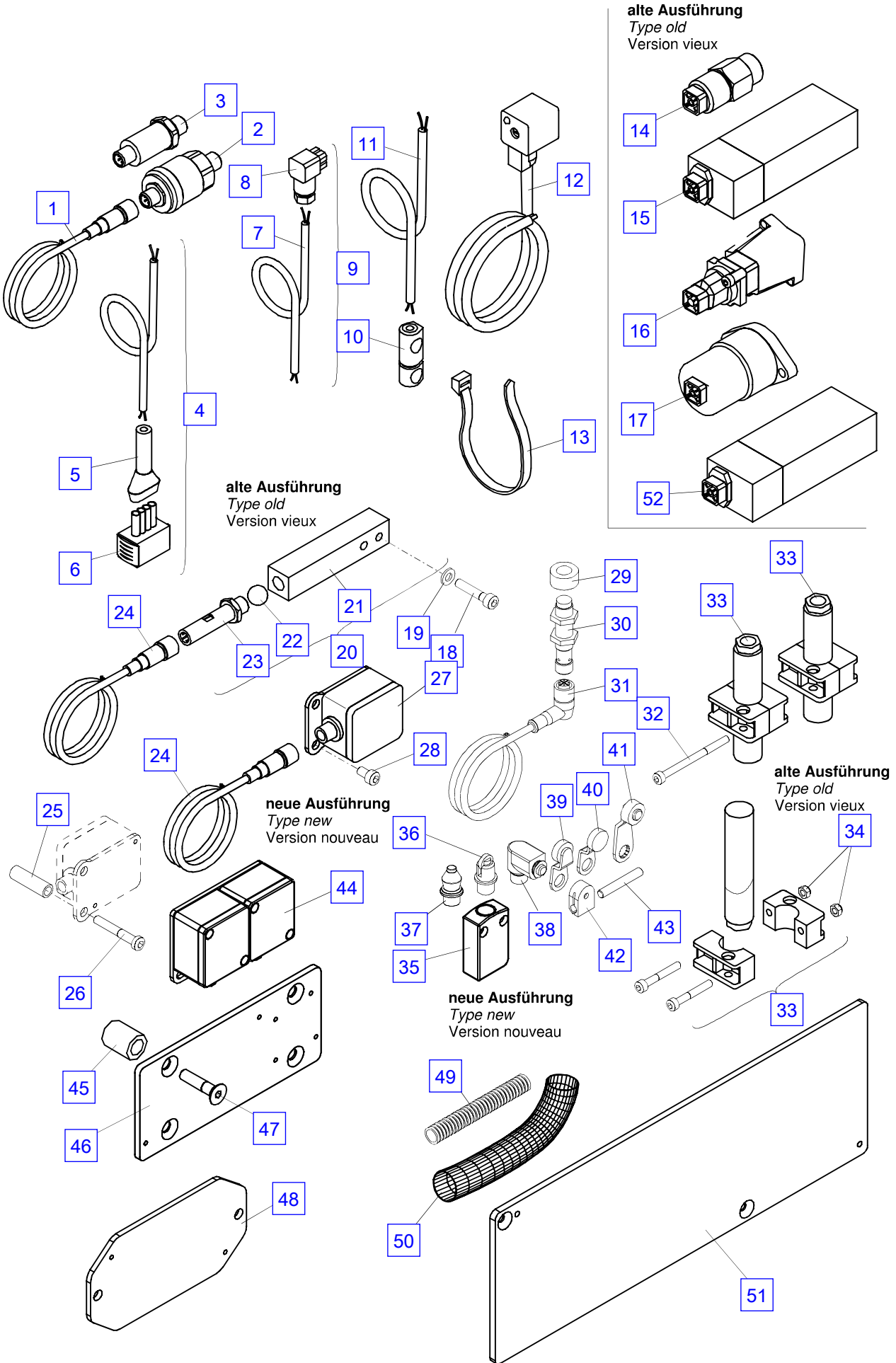
No.	Spare part	Qty.	Description	Dimension
1	EEA2574	2	Plug with cable (3-pole)	M 12 - 8 m
1	EEA5075	2	Plug with cable (3-pole)	M 12 - 3 m
2	EEA2559	2	Pressure transducer	24 V 400 bar
2	EEA2812	2	Pressure transducer	12V 400bar
3	EEA4164	2	Pressure transducer	12V 600 bar
3	EEA4165	2	Pressure transducer	24V 600 bar
4	EEA2595	1	Plug, cpl. with cable	4x0.34 l=1500
4	EEA2889	1	Plug with cable black (AMP) with cable	l=2500
4	EEA3037	1	Plug with cable grey (AMP) with cable	l=2150
5	EZ1731	1	Rubber grummet	
6	EEA2609	1	Plug, black	AMP
7	EEA1755	0	Cable (metre goods) Metered good	4x0.34 mm <sup>2</sup>
8	EEA1718	1	Wire plug	
9	EEA2696	1	Plug with cable	1.5 m
10	EEA 031	1	Fuse	8 A
11	EEA 058	0	Cable (metre goods)	3x0.5 mm <sup>2</sup>
11	EEA 134	0	Cable for drag chain (metro goods)	12x1 mm <sup>2</sup>
11	EEA 162	0	Cable (metre goods)	3x1.5 mm <sup>2</sup>
11	EEA 169	0	Cable (metre goods)	2x1 mm <sup>2</sup>
11	EEA 170	0	Cable (metre goods)	2x1.5 mm <sup>2</sup>
11	EEA 192	0	Cable (metre goods)	7x1.5 mm <sup>2</sup>
11	EEA2141	0	Cable for drag chain (metro goods)	5x1 mm <sup>2</sup>
11	EEA2478	0	Cable (metre goods)	2x2.5 mm <sup>2</sup>
11	EEA5752	0	Cable for drag chain (metro goods)	22x1 mm <sup>2</sup>
12	EEA 772	1	Plug with cable LED	1,5 m
12	EEA 773	1	Plug with cable LED	3 m
13	EK 155	1	Cable tie	l=102x2.5
13	EK 165	1	Cable tie	l=215x4.8
14	EV3612	1	Spool position control (APITECH)	
15	EV3613	1	Spool position control (DANFOSS)	
16	EV3614	1	Spool position control (RS 210)	
17	EV3615	1	Spool position control (VOAC)	
18	ES 087	2	Screw	M 6x30 - 8.8 - ISO4762
18	ES 855	2	Screw	M 6x25 ISO4762- 8.8
19	EK 190	2	Washer	DIN134-06-ST
20	HXE 953	1	Pendulum, cpl.	
21	HT3612	1	Housing	
22	EK 610	1	Ball	
23	EE 110	1	Inductive switch	
24	EEA1150	1	Plug with cable (3-pole)	M 12 - 12 m
25	HBS3084	2	Spacer (PJ170)	l=33 mm
26	ES 105	2	Screw	M 6x40 ISO4762 10.9
27	EEA15298	1	Pendulum (0-180°)	M 12
28	ES 414	2	Screw	M6x10 ISO4762 - 8.8
29	BH242-0803	1	Bushing	M 12x1
30	EEA3104	1	Sensor Opener	M 12x1 - M 12x1
31	EEA3105	1	Angle plug with cable (4-pole)	M 12 - 2 m
32	ES 810	2	Screw	M 5x65 DIN 912
33	EEA1252	2	Inductive switch	
34	EM 247	4	Nut	M 5 DIN 562 VZ
35	EEA3942	1	Limit switch	





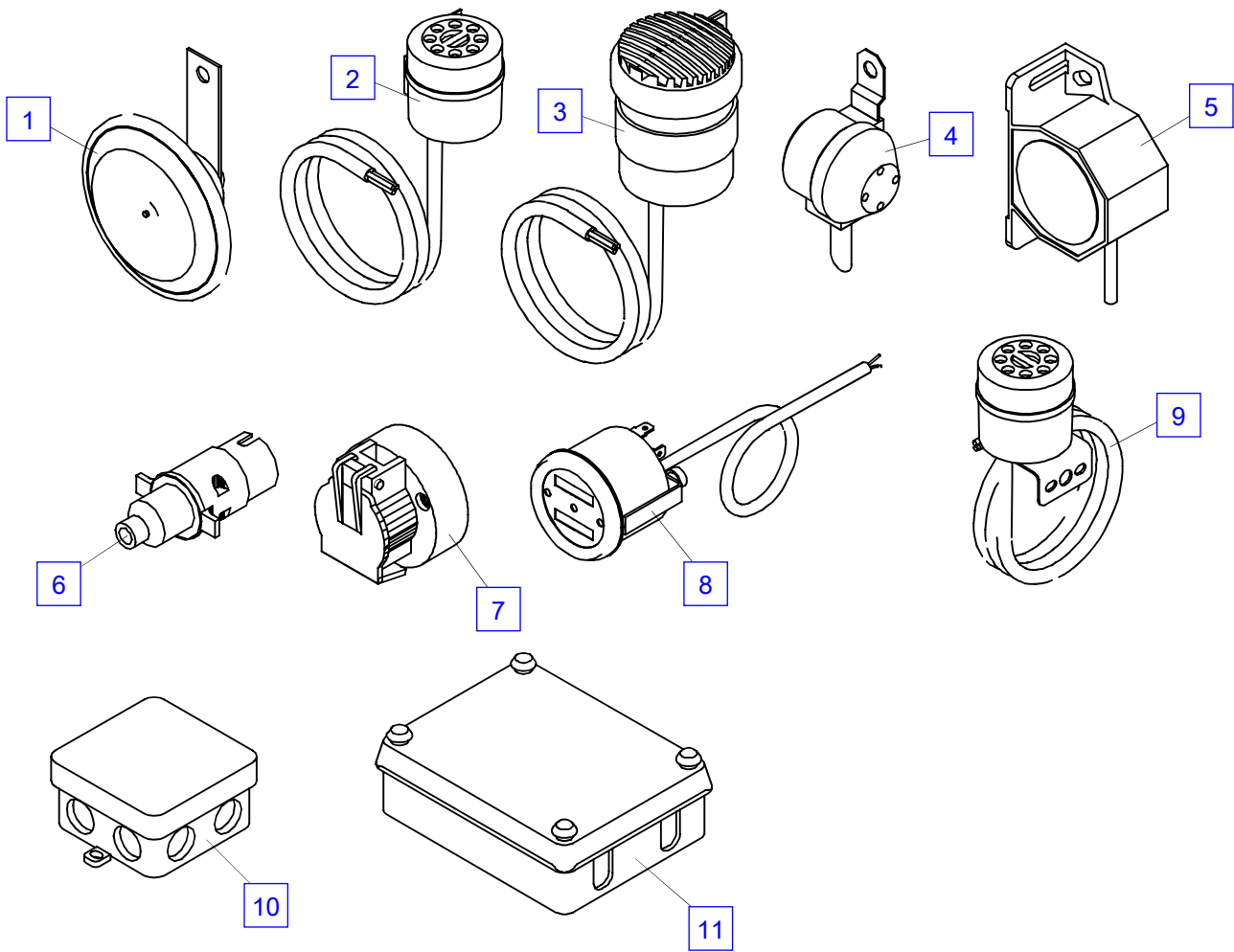
Accessories (1)

No.	Spare part	Qty.	Description	Dimension
	EEA3944	0	Connection element with cable	2 m
	EEA3945	0	Connection element with cable	5 m
	EEA3949	0	Connection element with cable	10 m
36	EEA3943	1	Roller tappet	
37	EEA5454	1	Roller tappet	
38	EEA3986A	1	Drive	
39	EEA3987	1	Roller lever Plastic	l=42.5 mm, b=5 mm
40	EEA4272	1	Roller lever	
41	EEA9882	1	Roller lever	l=55 mm
42	EEA4579	1	Bearer	
43	HI7270	1	Pin	
44	EEA5030	1	Pendulum, cpl.	
45	HBS1533	2	Bushing	D20.0xd12.5xL=25 mm
46	HT6592	1	Plate	
47	ES 408	2	Screw	M8x35 - 8.8 ISO14581
48	HTR4023	1	Fastening plate	
49	EZ1266	0	Protection hose (metre goods)	D 12.2/15.7 mm
49	EZ1293	0	Protection hose (metre goods)	D 9.8/13 mm
50	EH 822	1	Protection hose	NW 50x500
50	EH 878	1	Protection hose	NW 102x1000
51	HT11022	1	Plate	
52	EV7149	1	Spool position control	



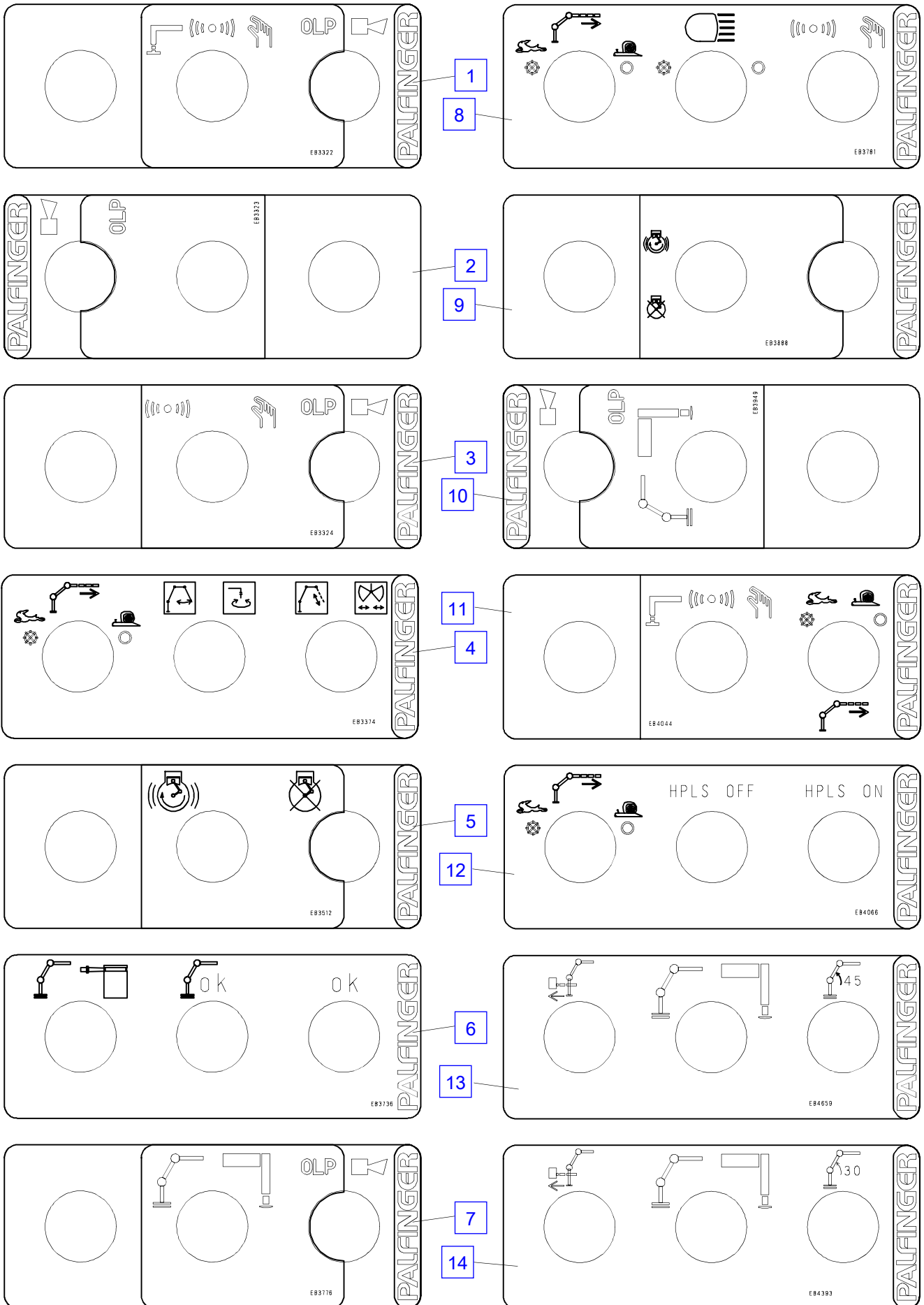
## Accessories (2)

No.	Spare part	Qty.	Description	Dimension
1	EEA 036	1	Horn	12 V
1	EEA 037	1	Horn	24 V
2	EEA 080	1	Horn (Alternating tone alert signal)	12/24 V
3	EEA3674	1	Horn for EN-12999	12/24 VDC
4	EEA1998	1	Buzzer	12 V
4	EEA1999	1	Horn	24 V
5	EEA2753	1	Horn for EN-12999	12 m (CE)
6	EEA 028	1	Plug (3-de poles)	
7	EEA 029	1	Plug box (3-de poles)	
8	EEA3427	1	Hour meter	
9	EEA6193	1	Horn (Alternating tone alert signal)	12/24 VDC (H5)
10	EEA 030	1	Branch box	
11	EEA 378	1	Clamp housing	



## Decals (1)

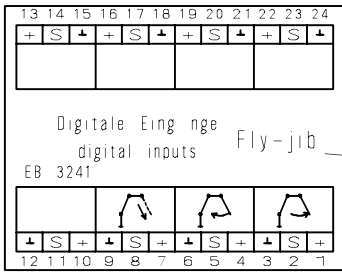
No.	Spare part	Qty.	Description	Dimension
1	EB3322	1	Symbol sign	
2	EB3323	1	Symbol sign	
3	EB3324	1	Symbol sign	
4	EB3374	1	Symbol sign	
5	EB3512	1	Symbol sign	
6	EB3736	1	Symbol sign	
7	EB3776	1	Symbol sign	
8	EB3781	1	Symbol sign	
9	EB3888	1	Symbol sign	
10	EB3949	1	Symbol sign	
11	EB4044	1	Symbol sign	
12	EB4066	1	Symbol sign	
13	EB4659	1	Symbol sign	
14	EB4393	1	Symbol sign	



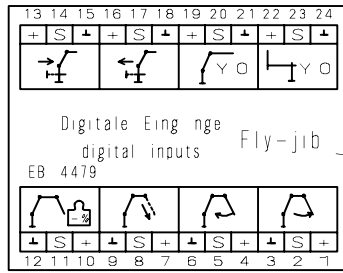
## Decals (2)

No.	Spare part	Qty.	Description	Dimension
1	EB3241	1	Symbol sign	
2	EB4479	1	Symbol sign	
3	EB4480	1	Symbol sign	
4	EB3499	1	Symbol sign	
5	EB 450	1	Symbol sign	10A
6	EB 382	1	Decal	12V
7	EB 383	1	Decal	24V
8	EB3902	1	Symbol sign	
9	EB3903	1	Symbol sign	
10	EB4710	1	Symbol sign	

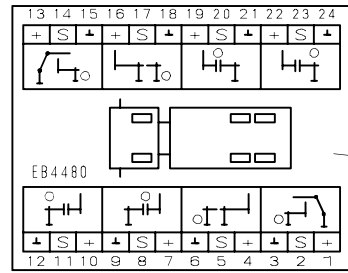




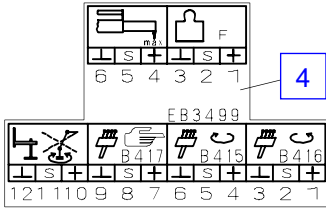
1



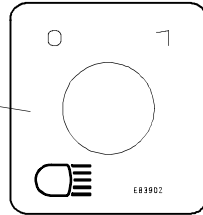
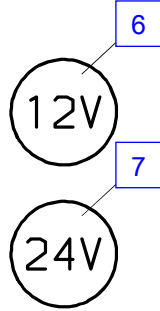
2



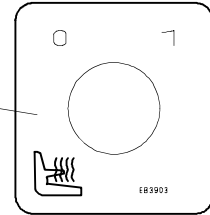
3



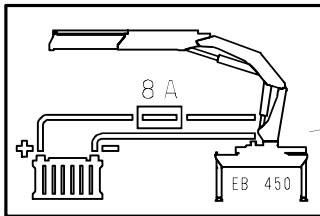
4



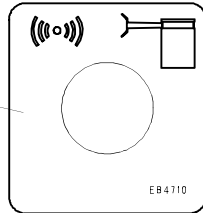
8



9



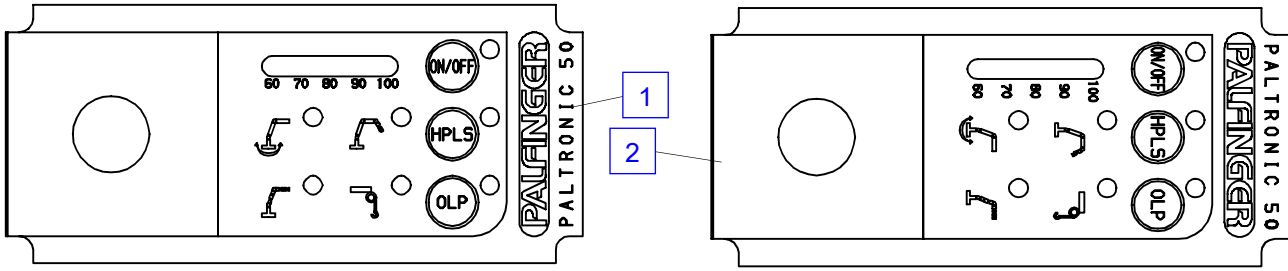
5



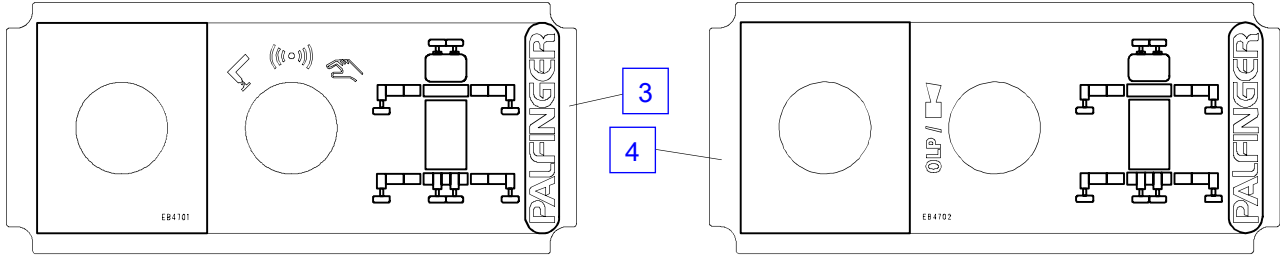
10

## Decals (3)

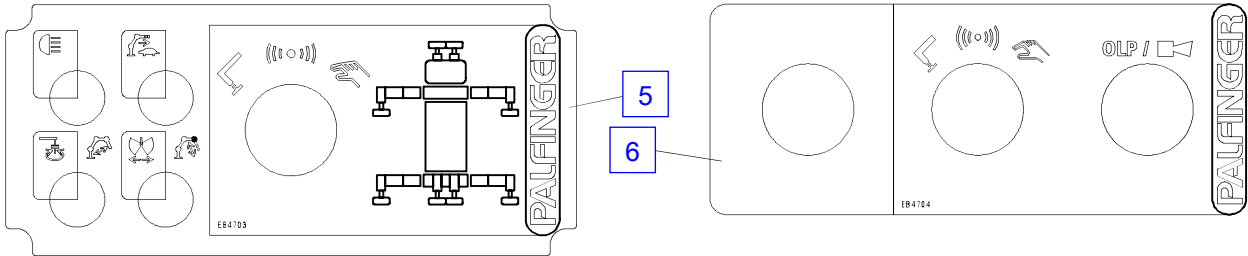
No.	Spare part	Qty.	Description	Dimension
1	EB2468	1	Symbol sign	
2	EB3221	1	Symbol sign	
3	EB4701	1	Symbol sign	
4	EB4702	1	Symbol sign	
5	EB4703	1	Symbol sign	
6	EB4704	1	Symbol sign	
7	EB4705	1	Symbol sign	
8	EB4706	1	Symbol sign	
9	EB4707	1	Symbol sign	
10	EB4709	1	Symbol sign	
11	EB3431	1	Symbol sign	
12	EB4733	1	Symbol sign	



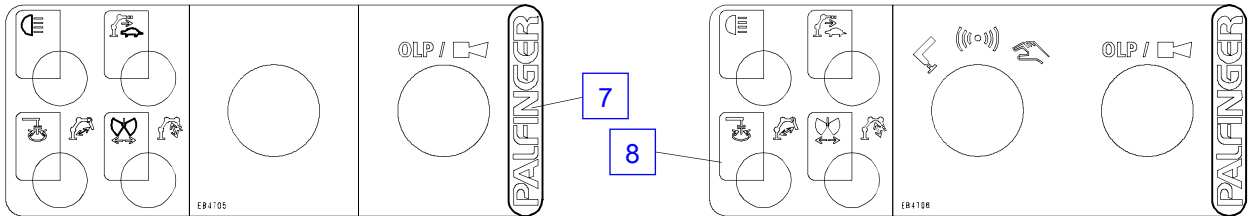
1  
2



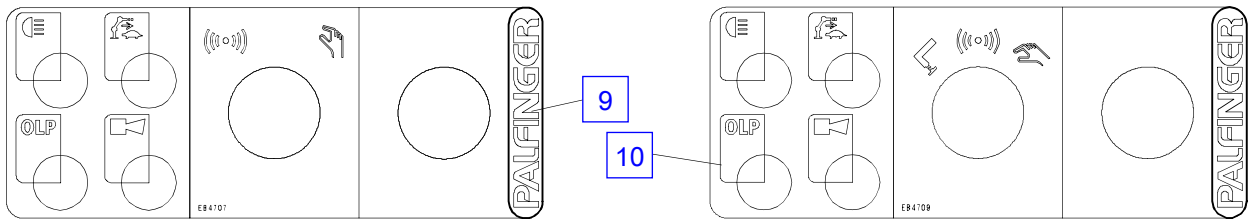
3  
4



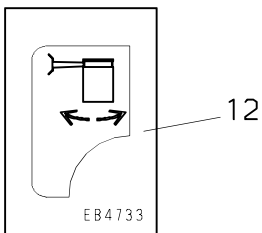
5  
6



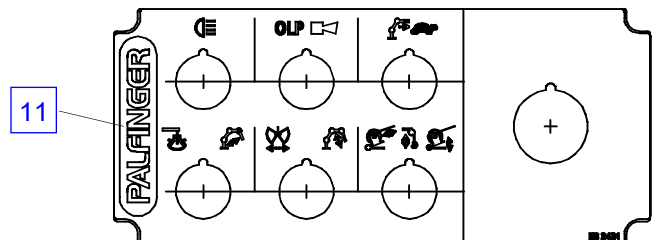
7  
8



9  
10



12



11

Working light

No.	Spare part	Qty.	Description	Dimension
1	EEA 575	1	Button	
2	EEA 500	1	Sub switch	
3	EEA 499	1	Housing	
4	EEA 298	1	Nut	PG 13.5
5	EEA 510	1	Fitting	PG 13.5
6	EEA 169	0	Cable (metre goods)	2x1 mm <sup>2</sup>
6	EEA 170	0	Cable (metre goods)	2x1.5 mm <sup>2</sup>
7	EB2485	1	Symbol sign	
8	EK 084	0	Mounting band	l=360x7.5
8	EK 165	0	Cable tie	l=215x4.8
9	HXE2248	1	Bearer	
10	HA6884	1	Bearer	
11	HA7050	1	Bearer	L0441.3xB0025xS005
12	EEA 242	1	Headlight	12/24 VDC
	EEA 243	1	Spare lamp/light	24V 100W
	EEA3507	1	Spare lamp/light	12V 50W
12	EEA 243	1	Spare lamp/light	24V 100W
12	EEA3507	1	Spare lamp/light	12V 50W
13	EZ 934	1	Screen	
14	EB3902	1	Symbol sign	
15	EB3903	1	Symbol sign	
16	EEA5407	1	Headlight	Power Beam 3000
	EEA5044	1	Plug, cpl.	
	EEA14722	1	Plug (2-pole)	
17	HA11802	1	Bearer	L0109xB0100xS005
18	EK 003	2	Washer	D 8.4 ISO7089
19	ES 264	2	Screw	M8x16 ISO4762- 8.8
20	EEA11204	1	Headlight24	24 VDC
	EEA5044	1	Plug, cpl.	
	EEA14722	1	Plug (2-pole)	
	EEA11504	1	Spare lamp/light	H3 24V 70W
20	EEA11088	1	Headlight12	12 VDC
	EEA5044	1	Plug, cpl.	
	EEA14722	1	Plug (2-pole)	
	EEA11503	1	Spare lamp/light	H3 12V 55W
21	HA11466	1	Bearer	

