

# Spare Parts Catalogue

## PK 11001 K

### (S106-EK-A)

Valid for serial number

100102635

---

First Edition: 01/2000

**Edition: 03/2020**

**EN**

---

PALFINGER AG  
Lamprechtshausener Bundesstraße 8  
5101 Bergheim / Austria  
[www.palfinger.com](http://www.palfinger.com)

## Preface

This catalogue of spare parts is based on latest stages of product design and development.

If you have maintained and serviced the technically matured equipment purchased from us in accordance with our instructions, there will scarcely be any need to consult this spares catalogue.

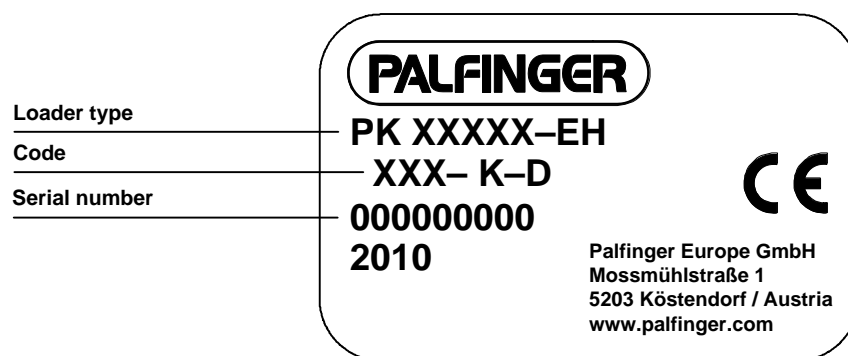
Should, in spite of this, the occasion arise to order spares, we would kindly ask you to state precise details as given in the catalogue, (please refer to "INFORMATION ON THE ORDERING OF SPARE PARTS") so as to avoid confusion.

We reserve the right to make design modifications.

## Information on the ordering of spare parts

To supply you with the correct parts in the shortest possible time it is necessary to inform us about following details:

- Loader type, code and serial number (look identification plate)
- Spare parts number
- Required quantity of spare parts



|                |                               |        |   |
|----------------|-------------------------------|--------|---|
| (-->123456789) | Valid to crane number         |        |   |
| (123456789-->) | Valid from crane number       |        |   |
| (1-16)         | consists out of position 1-16 |        |   |
| (+20)          | with position 20              |        |   |
| Page-A         | Control valve side            |        |   |
| Page-B         | Counter control side          |        |   |
| ABST           | Support                       | R      | without extension box                           |
|                |                               | R0     | One side extension box                          |
|                |                               | R1     | Both side extension box                         |
|                |                               | R2     | Both side extension box - extended              |
|                |                               | R3     | Extension box telescopic                        |
|                |                               | R4     | Both side extension box - extended              |
|                |                               | R.X    | Both side extension box - hydraulic             |
|                |                               | SR.    | Support controllable from top seat              |
| DPS+           | Dual Power System Plus        | FFST   | Radio remote control                            |
| FERN           | Remote control                | PALF20 | PALFINGER-PALCOM                                |
| FERT           | Type - remote control         | P2     | PALFINGER-SCANRECO                              |
|                |                               | BMS2   | HETRONIC  |
|                |                               | P3     | with display                                    |
| GGSR           | Control (reverse acting)      | LKW    | Mounting LKW                                    |
| GRA            | Type - crane Base             | SAT    | Semi-trailer installation                       |
|                |                               | EGG    | Integrated base                                 |
| HEC            | Rear-stabilizer               | HSTZY  | Tiltable stabilizer                             |
| HEM            | Rear module                   | HEM900 | Rear module +900                                |
| HKONS          | Top seat FFST                 | HK001  | Standard seat                                   |
|                |                               | HK002  | Tiltable seat                                   |
|                |                               | HK003  | Seat with heater                                |
|                |                               | HK004  | Folding seat with heater                        |
| HOST           | Top seat - control            | KL0    | Linear lever control                            |
|                |                               | KK1    | Cross lever control                             |
| HPLS           | High Power Lifting System     | EHPLS  | High Power Lifting System                       |
|                |                               | SHPLS  | Super High Power Lifting System                 |
| HSITZ          | Top seat - standard           | HS005  | Tiltable seat                                   |
|                |                               | HS012  | Standard seat                                   |
| HYA,PJHY       | Hydraulic extensions          | ()     | Configuration with one hydraulic extension boom |
|                |                               | A      | Crane with 2 hydraulic extension booms          |
|                |                               | B      | Crane with 3 hydraulic extension booms          |
|                |                               | C      | Crane with 4 hydraulic extension booms          |
|                |                               | D      | Crane with 5 hydraulic extension booms          |
|                |                               | E      | Crane with 6 hydraulic extension booms          |
|                |                               | F      | Crane with 7 hydraulic extension booms          |
|                |                               | G      | Crane with 8 hydraulic extension booms          |
|                |                               | H      | Crane with 9 hydraulic extension booms          |
| IKONS          | Standing platform FFST        | IK002  | without IS001, with IG001                       |
|                |                               | IK004  | with IS001,IG001                                |
|                |                               | IK006  | with IS002,IG001                                |
| IG             | Railing                       | IG001  | 3 port  |
|                |                               | IG002  | 2 port  |
| IS             | Limitation of rotation (I)    | IS001  | Limitation of rotation over (I)                 |
|                |                               | IS002  | Limitation of rotation, main boom over (I)      |
|                |                               | IS003  | Limitation of rotation over (FL)                |
| ISC            | Integrated Stability Control  | ISC01  | Support control +SHB                            |
|                |                               | HPSC   | High Performance Stability Control              |
| LHA            | Crane hook                    | LHA03  | 25t with sleeve bearing                         |
|                |                               | LHA04  | 8t with sleeve bearing                          |
|                |                               | LHA06  | 15t with sleeve bearing                         |
|                |                               | LHA08  | 5,4t with sleeve bearing                        |
|                |                               | LHA09  | 11t with roller bearing                         |
|                |                               | LHA12  | 8t with roller bearing                          |

Signs and symbols

|       |  |           |   |
|-------|--|-----------|---|
| LHV   | Load holding valve                       | LHV...    | see page 0.22   |
| NOTAB | Emergency lowering device                | NOT01     | (NOTAB) Lifting cylinder                                |
| O     | Overload protection                      | OSK       | with lock cylinder                                      |
| OELKU | Oil cooler                               | ÖLK01     | Oil cooler 8.5kW mounted                                |
|       |  | ÖLK02     | Oil cooler 10.5kW, loose                                |
|       |  | ÖLK03     | Oil cooler 8.5kW, loose                                 |
|       |  | ÖLK04     | Oil cooler 20kW mounted                                 |
|       |  | ÖLK05     | Oil cooler 20kW, loose                                  |
|       |  | ÖLK07     | Oil cooler 10.5kW mounted                               |
|       |  | PT050     | Paltronic 50  |
|       |  | PT150     | Paltronic 150   |
| PAL   | Paltronic                                |           |   |
| PJ    | Fly-Jib                                  |           |   |
| PJHY  | Hydraulic extensions                     | see (HYA) |   |
| PJKSL | Hose-equipment (PJ)                      | J02       | 1 Auxiliary equipment                                   |
|       |  | J04       | Auxiliary equipments2                                   |
| PJV   | Extension                                | see (V)   |   |
| PUMPE | Type - pump                              | PU002     | Fixed displacement pump                                 |
|       |  | PU003     | Variable displacement pump                              |
| RODRU | Rotator (...bar)                         |           |   |
| S     | Rope winch                               | SHE       | with limiting switch - main boom                        |
|       |  | SK        | without limiting switch - outer boom                    |
|       |  | SKE       | with limiting switch - outer boom                       |
|       |  | SHEK      | Power link rope winch (hydraulic tiltable at main boom) |
|       |  | GR__      | Limit of rotation __ degree                             |
| SCH   | Slew limitation                          | SHB01     | with one pressure range                                 |
| SHB   | Slew angle dependent capacity limitation | SHB07     | with 2 pressure ranges + jumper                         |
|       |  | MULT11    | Quick-coupling, crane                                   |
| SKUPP | Quick-coupling<br>Multifaster            | MULT12    | Quick-coupling,(PJ)                                     |
|       |  | MULT13    | Quick-coupling, crane+(PJ)                              |
| SL    | Hose-equipment                           | 2         | 1 Auxiliary equipment - hose tray                       |
|       |  | 4         | 2 Auxiliary equipment - hose tray                       |
|       |  | T2        | 1 Auxiliary equipment - hose drum                       |
|       |  | T4        | 2 Auxiliary equipment - hose drum                       |
|       |  | T2i       | 1 Auxiliary equipment - hose drum (inside)              |
|       |  | T4i       | 2 Auxiliary equipment - hose drum (inside)              |
| SLVO  | Preparation (SL)                         | VSL2      | Preparation (SL) 1 auxiliary equipment                  |
|       |  | VSL4      | Preparation (SL) 2 auxiliary equipment                  |
| SONSL | Control valve section (SL)               | SSZD      | Brick grab Germany                                      |
|       |  | SSZT      | Brick grab + deadman push button                        |
|       |  | SCSTD     | Type Scandinavian                                       |
| SOSTZ | Stabilizer ram                           | STÜ01     | Stabilizer ram -150 mm                                  |
|       |  | STÜ02     | Stabilizer ram +100 mm                                  |
|       |  | STÜ03     | Stabilizer ram -100 mm                                  |
| STEIL | Boom angle monitoring system             | STEIL1    | Boom angle monitoring system                            |
|       |  | STEIL2    | Monitoring the steep position (PJ)                      |
| STG   | Control - support                        | FL        | Control valve - support                                 |
|       |  | FLZUS     | Control valve - auxiliary support                       |
|       |  | FFST4     | remote controlled (4-elements)                          |
|       |  | FFST8     | remote controlled (8-elements)                          |
|       |  | FFST12    | remote controlled (12-elements)                         |
|       |  | FFST14    | remote controlled (14-elements)                         |
| STGA  | Control - crane                          | FL        | Floor control   |
|       |  | I         | High stand platform                                     |
|       |  | H         | Top seat  |
|       |  | NK        | Emergency control - crane column                        |
|       |  | NK2K      | Emergency control - crane column, double circuit        |
| STRAN | Rope winch, strand                       | 1         | 1 strand  |
|       |  | 2         | 2 strand  |
|       |  | 4         | 4 strand  |
| STT   | Stabilizer plates                        | STD       | Standard  |
| STU   | Hour meter                               | __        | Extension __mm  |



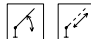
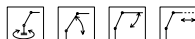

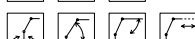
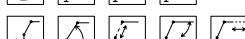
|           |                               |           |   |
|-----------|-------------------------------|-----------|---|
| STZ       | Stabilizer ram                | STZO      | Type without support  |
|           |                               | STZS3     | Stabilizer ram - rigid  |
|           |                               | STZY3     | Stabilizer ram - slewable   |
|           |                               | STZY      | Hydraulically tiltable stabilizer cylinder  |
|           |                               | STZS3Y    | Page-A=(STZS3) B=(STZY3)  |
|           |                               | STZYS3    | Page-A=(STZY3) B=(STZS3)  |
| SWERK     | Slewing system                | 1GETR     | 1-Slewing gear  |
|           |                               | 2GETR     | 2-Slewing gear  |
| SWK       | Max. rope winch capacity:     | 1,5 - 4,5 | 1,5t - 4,5t   |
| TKKR      | Crane tank                    |           |   |
| TKLO      | Auxiliary tank                |           |   |
| TOT       | Dead center                   | TL__      | Oil tank__l   |
|           |                               | TOWI      | Dead center over balance  |
|           |                               | TOQU      | Dead center over transverse spar  |
|           |                               | SE        | continuous  |
| TRANS     | Transport position monitoring | TRAN1     | Armrest   |
|           |                               | TRAN2     | Main boom - horizontal level  |
|           |                               |           |   |
| TSCH,TSTB | Control valve                 | DN46      | DINOIL DN46   |
|           |                               | M4-12     | REXROTH M4-12   |
|           |                               | PVG32     | DANFOSS PVG32   |
|           |                               | RS210     | NORDHYDRAULIK RS210   |
|           |                               | RS220     | NORDHYDRAULIK RS220   |
|           |                               | RSQ240    | NORDHYDRAULIK RSQ240  |
|           |                               | SDM081    | WALVOIL SDM081  |
|           |                               | VDM07     | SALAMI VDM07  |
| V,PJV     | Extension                     | V1()      | 1 Extension by (HYA ())   |
|           |                               | V1A       | 1 Extension by (HYA A)  |
|           |                               | V1B       | 1 Extension by (HYA B)  |
|           |                               | V1C       | 1 Extension by (HYA C)  |
|           |                               | V1D       | 1 Extension by (HYA D)  |
|           |                               | V1E       | 1 Extension by (HYA E)  |
|           |                               | V1F       | 1 Extension by (HYA F)  |
|           |                               | V1G       | 1 Extension by (HYA G)  |
|           |                               | V1H       | 1 Extension by (HYA H)  |
|           |                               | V2()      | 2 Extensions by (HYA ())  |
|           |                               | V2A       | 2 Extensions by (HYA A)   |
|           |                               | V2B       | 2 Extensions by (HYA B)   |
|           |                               | V2C       | 2 Extensions by (HYA C)   |
|           |                               | V2D       | 2 Extensions by (HYA D)   |
|           |                               | V2E       | 2 Extensions by (HYA E)   |
|           |                               | V2F       | 2 Extensions by (HYA F)   |
|           |                               | V2G       | 2 Extensions by (HYA G)   |
|           |                               | V2H       | 2 Extensions by (HYA H)   |
|           |                               | V3()      | 3 Extensions by (HYA ())  |
|           |                               | V3A       | 3 Extensions by (HYA A)   |
|           |                               | V3B       | 3 Extensions by (HYA B)   |
|           |                               | V3C       | 3 Extensions by (HYA C)   |
|           |                               | V3D       | 3 Extensions by (HYA D)   |
|           |                               | V3E       | 3 Extensions by (HYA E)   |
|           |                               | V3F       | 3 Extensions by (HYA F)   |
|           |                               | V3G       | 3 Extensions by (HYA G)   |
|           |                               | V3H       | 3 Extensions by (HYA H)   |
|           |                               |           |   |
| LHV       | Load holding valve            | LHV14     |                                    |
|           |                               | LHV18     |                                   |
|           |                               | LHV19     |                                   |
|           |                               | LHV28     |  Double-acting load holding valve |
|           |                               | LHV34     |                                   |

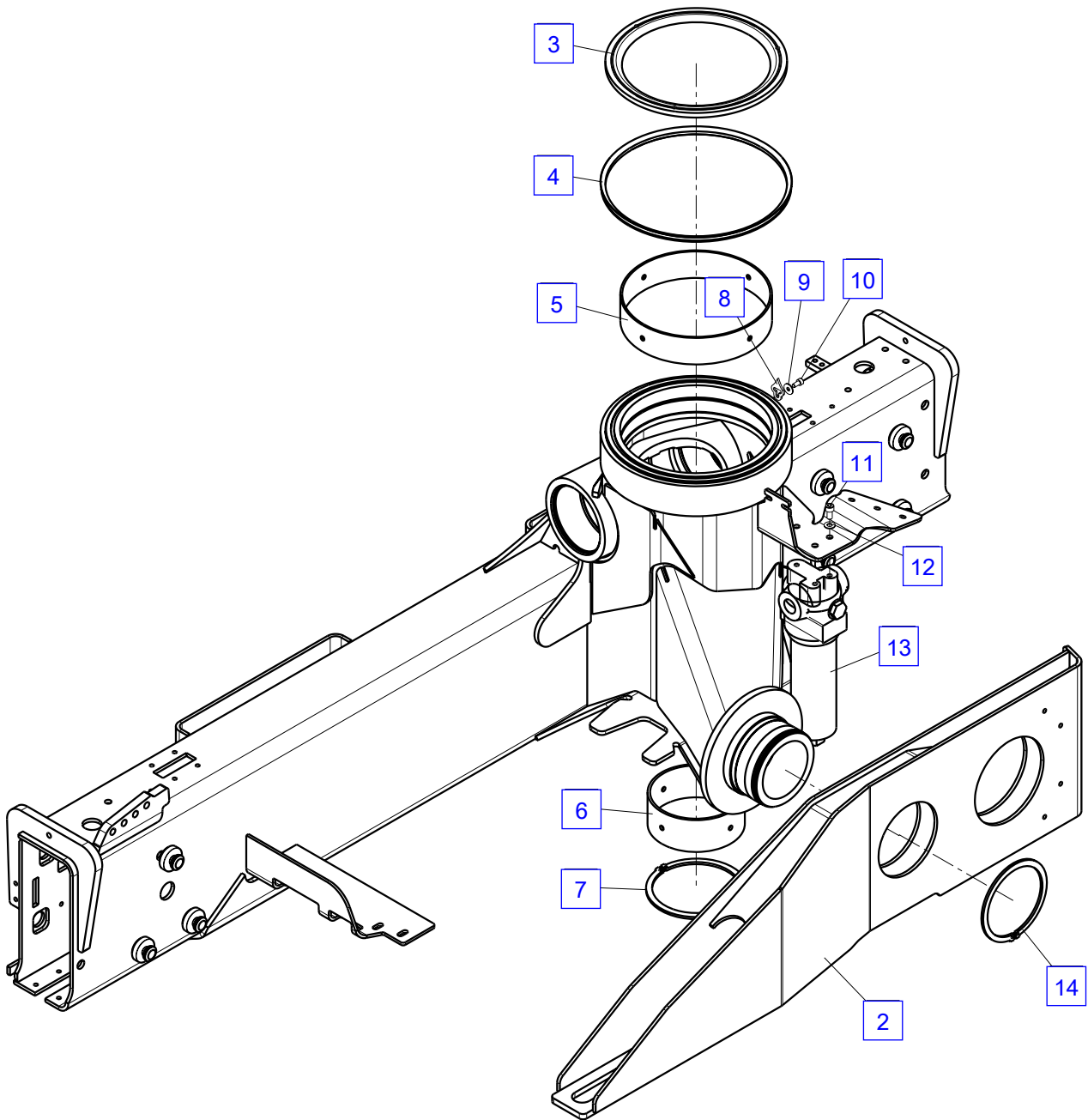
Table of Contents

|             |                                      |
|-------------|--------------------------------------|
| Page        |                                      |
| <b>0</b>    | <b>PREFACE</b>                       |
| 0.02        | Preface-EN                           |
| 0.20        | Signs and symbols                    |
| 0.21        | Signs and symbols                    |
| 0.22        | Signs and symbols                    |
| <b>0100</b> | <b>BASE</b>                          |
| 0100.01200  | Base R2X,R3X                         |
| 0100.02300  | Attachments TOQU                     |
| 0100.04200  | Brackets I,IKONS                     |
| 0100.04201  | Brackets FL,I                        |
| 0100.05000  | Brackets RS210                       |
| 0100.06000  | Slewing system                       |
| 0100.07000  | Piping - slewing system F            |
| 0100.08000  | Piping - lube system                 |
| 0100.09100  | Piping - control F                   |
| 0100.10300  | Piping - R2X,R3X                     |
| 0100.11100  | Hoses F                              |
| 0100.12300  | Outrigger-R3X                        |
| 0100.12301  | Outrigger extension cylinder UP1408C |
| 0100.12302  | Outrigger extension cylinder UP1406A |
| 0100.13100  | Piping - R2X,R3X                     |
| 0100.13101  | Pretension valve UV423               |
| 0100.14000  | Stabilizer ram STZS3                 |
| 0100.14001  | Stabilizer ram UP1489A               |
| 0100.14002  | Pipes - support STZS3                |
| 0100.15100  | Stabilizer plates                    |
| 0100.17000  | Oil cooler                           |
| 0100.17001  | Oil cooler EP 629-12(24)V            |
| <b>0200</b> | <b>CONTROL - SUPPORT</b>             |
| 0200.01200  | Control valve R2X,R3X                |
| 0200.01301  | Control valve VDM07                  |
| 0200.02000  | Control system                       |
| <b>0210</b> | <b>CONTROL - CRANE RS210</b>         |
| 0210.01200  | Control valve (6-sections) FL,I      |
| 0210.02000  | Control system                       |
| 0211.01100  | Inlet element R2X,R3X                |
| 0211.02100  | Separate element R2X,R3X             |
| 0211.04000  | Separate element                     |
| 0211.04001  | Control valve - details              |
| 0211.04002  | Seal kit                             |
| 0211.05000  | End element                          |
| <b>0300</b> | <b>SAFETY DEVICES</b>                |
| 0300.04000  | Encoder                              |
|             |                                      |

|             |                                     |
|-------------|-------------------------------------|
| Page        |                                     |
| <b>0301</b> | <b>ELECTRICAL PARTS</b>             |
| 0301.02000  | Housing PT050                       |
| 0301.02100  | Housing PT050                       |
| 0301.02200  | PT050Attachment board               |
| 0301.02300  | Decals PT050                        |
| 0301.04000  | Adaptor, switch                     |
| 0301.05000  | Wire plug                           |
| 0301.06000  | Line-up terminal                    |
| 0301.07000  | Relay                               |
| 0301.08000  | Miscellaneous                       |
| <b>0400</b> | <b>CRANE COLUMN</b>                 |
| 0400.01100  | Crane column - F                    |
| 0400.02000  | Attachments - crane column          |
| 0400.02001  | Lifting cylinder - details          |
| 0400.03100  | Piping - lifting cylinder PT050     |
| 0400.03201  | Load holding valve UV439-...        |
| <b>0500</b> | <b>MAIN BOOM</b>                    |
| 0500.01100  | Main boom                           |
| 0500.01101  | Outer boom ram - details            |
| 0500.02000  | Piping - outer boom ram             |
| 0500.02001  | Load holding valve UV432...         |
| <b>0600</b> | <b>OUTER BOOM</b>                   |
| 0600.01100  | Outer boom                          |
| <b>0701</b> | <b>BOOM EXTENSIONS</b>              |
| 0701.01100  | Extension boom 1 + piping           |
| 0701.01101  | Boom extensions ram UP1854A details |
| 0701.02000  | Extension boom 2 + piping           |
| 0701.02001  | Boom extensions ram UP1559A details |
| <b>0710</b> | <b>HOSE TRAYS</b>                   |
| 0710.01000  | Outer boom + piping                 |
| 0710.03000  | Extension boom + piping             |
| 0710.03101  | Quick-coupling                      |
| <b>1000</b> | <b>MISCELLANEOUS</b>                |
| 1000.01000  | Miscellaneous                       |
| 1000.02000  | Decals (1)                          |
| 1000.03100  | Decals PK11001-K                    |
| <b>1100</b> | <b>ACCESSORIES</b>                  |
| 1100.01000  | High stand platform                 |
| 1100.02000  | Crane hook                          |
|             |                                     |

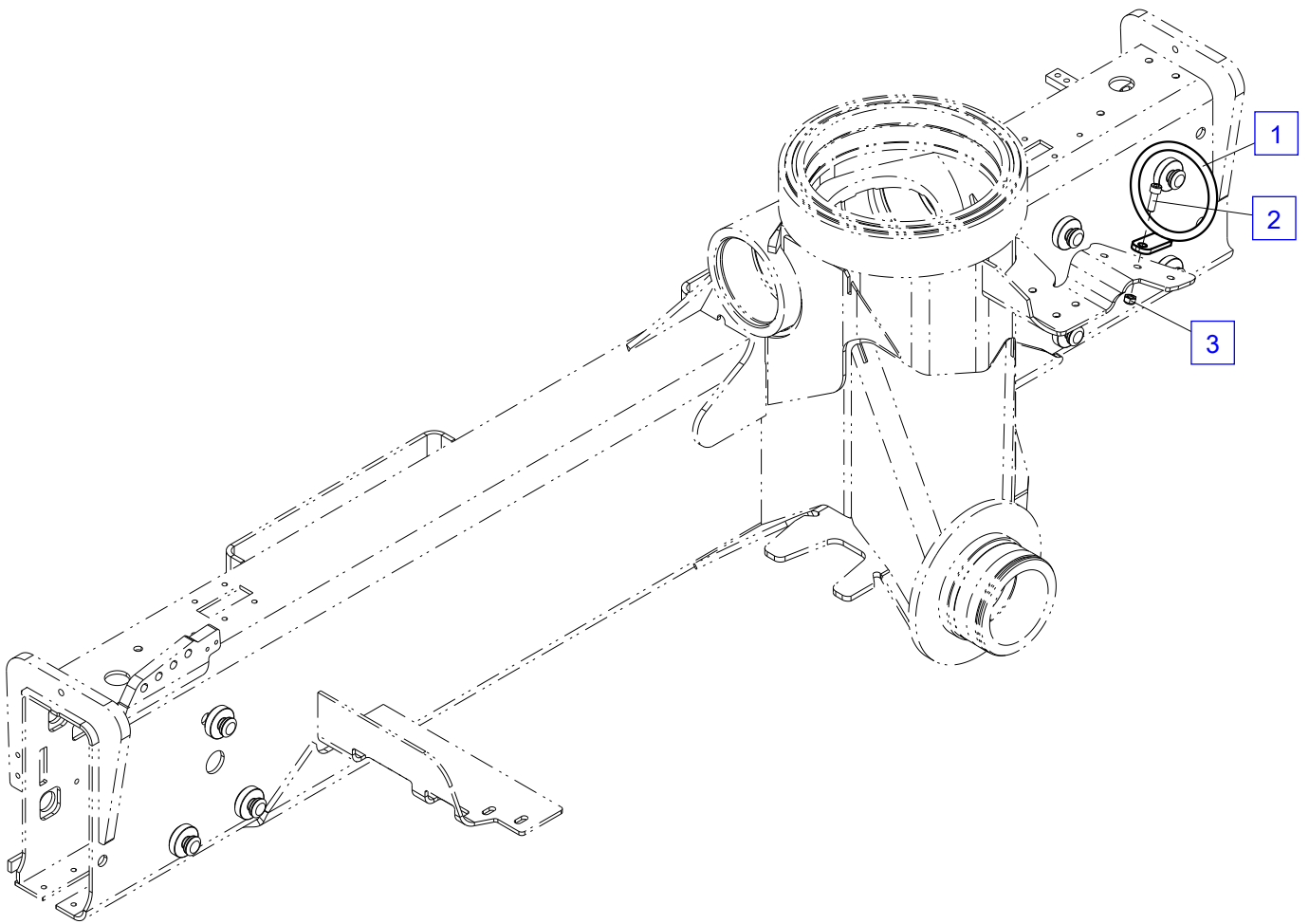
Base R2X,R3X

| No. | Spare part      | Qty. | Description                                   | Dimension              |
|-----|-----------------|------|---|------------------------|
| 1   | S106G24SA+00001 | 1    | Crane Base (Standard colour RAL 2002)         |                        |
| 2   | S106G27SA+XXXXX | 1    | Balance (Special colour, XXXXX = colour code) |                        |
| 3   | HBK 129         | 1    | Bearing ring                                  |                        |
| 4   | ER 299          | 1    | V-Ring  |                        |
| 5   | HT6217          | 1    | Bearing                                       | 3,0 mm                 |
| 6   | HT6218          | 1    | Bearing                                       | 3,0 mm                 |
| 7   | EQ 189          | 1    | Circlip                                       | D 140 DIN 471          |
| 8   | HT7778          | 1    | Folding arrow                                 |                        |
| 9   | EK 178          | 1    | Washer  | ISO7093-2-06-140HV     |
| 10  | ES1150          | 1    | Screw   | M 6x12 - 8.8 - ISO4762 |
| 11  | ES 264          | 1    | Screw   | M8x16 ISO4762- 8.8     |
| 12  | EK 003          | 1    | Washer  | D 8.4 ISO7089          |
| 13  | EA1391A         | 1    | High pressure filter                          |                        |
|     | TD1553          | 1    | Seal kit                                      |                        |
|     | EA1392          | 1    | Filter element                                |                        |
| 14  | EQ 003          | 1    | Circlip                                       | D 127 DIN 471          |



## Attachments TOQU

| No. | Spare part | Qty. | Description | Dimension           |
|-----|------------|------|-------------|---------------------|
| 1   | HXL 020    | 1    | Hose ring   | d=100 mm            |
| 2   | ES1462     | 1    | Screw       | M 8x25 ISO4762- 8.8 |
| 3   | EM 026     | 1    | Nut         | M 8 DIN 985         |

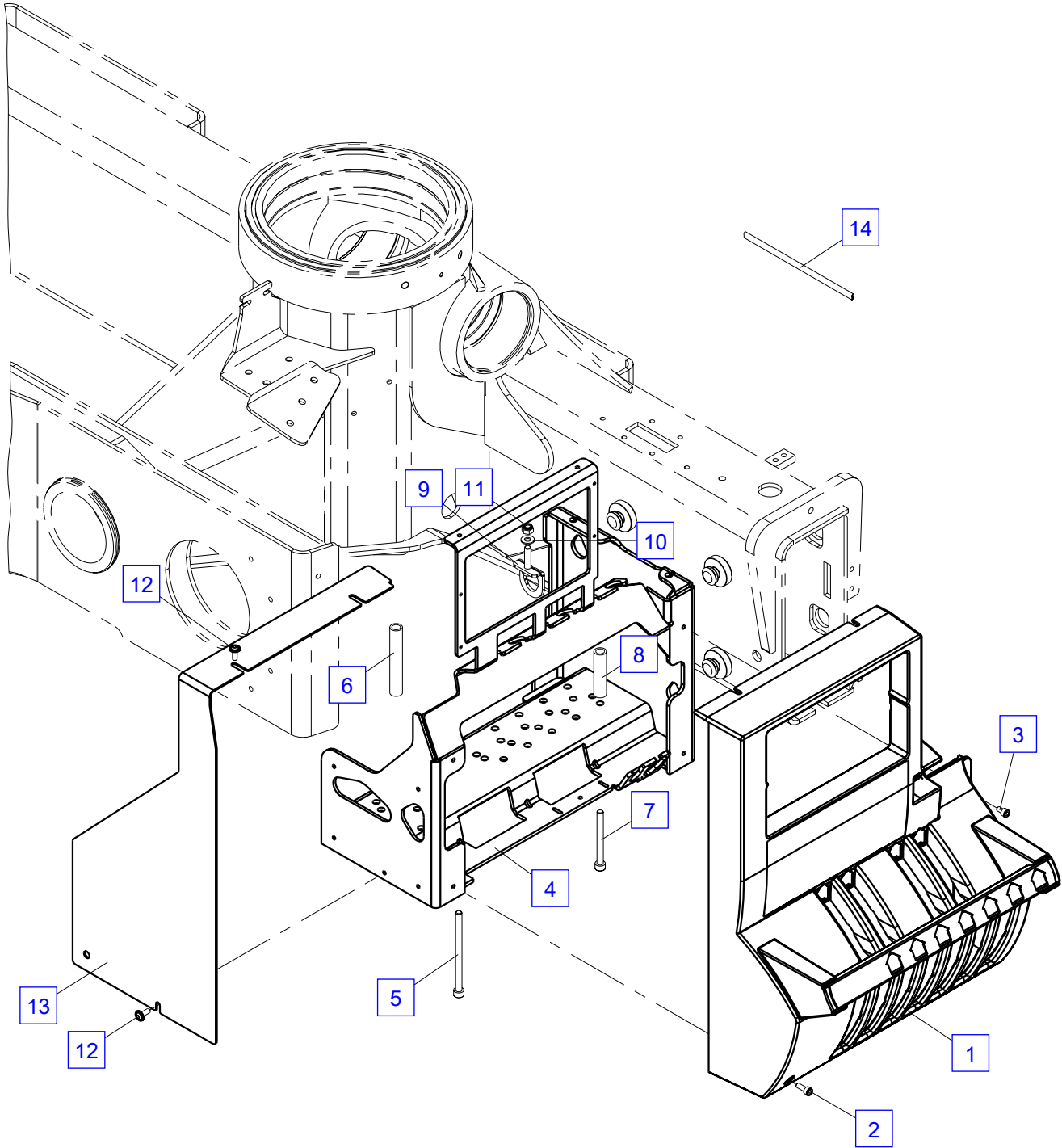


Brackets I,IKONS

| No. | Spare part | Qty. | Description                   | Dimension           |
|-----|------------|------|-------------------------------|---------------------|
| 1   | HXE 553    | 1    | Bracket                       |                     |
| 2   | ES 175     | 1    | Screw                         | M 6x16 ISO4762- 8.8 |
| 3   | ES 414     | 1    | Screw                         | M6x10 ISO4762 - 8.8 |
| 4   | HXE 258    | 1    | Bracket                       |                     |
| 5   | ES1165     | 1    | Screw                         | M 8x120 DIN 912     |
| 6   | HBS2783    | 1    | Spacer                        | l=101 mm            |
| 7   | ES1159     | 1    | Screw                         | M 8x80 ISO4762- 8.8 |
| 8   | HBS2786    | 1    | Spacer                        | l=66 mm             |
| 9   | HXE1684    | 1    | Bearer                        |                     |
| 10  | EK 003     | 1    | Washer                        | D 8.4 ISO7089       |
| 11  | EM 026     | 2    | Nut                           | M 8 DIN 985         |
| 12  | ES2496     | 3    | Screw                         | M 6x16 ISO7380-10.9 |
| 13  | HA3664     | 1    | Cover                         |                     |
| 14  | EZ 578     | 1    | Edge protection (metro goods) | 4-6 mm              |

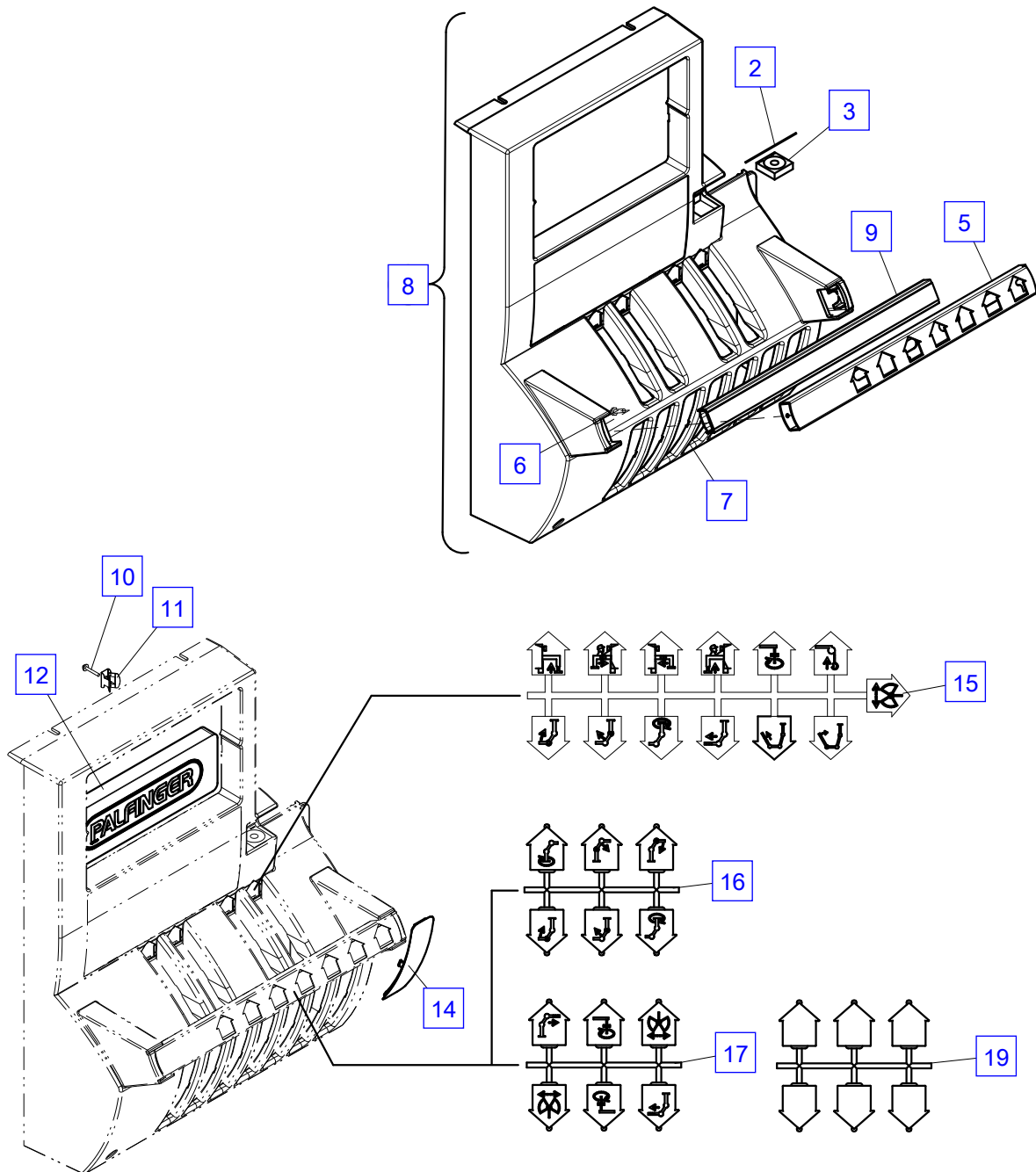


RS210,RS220



Brackets FL,I

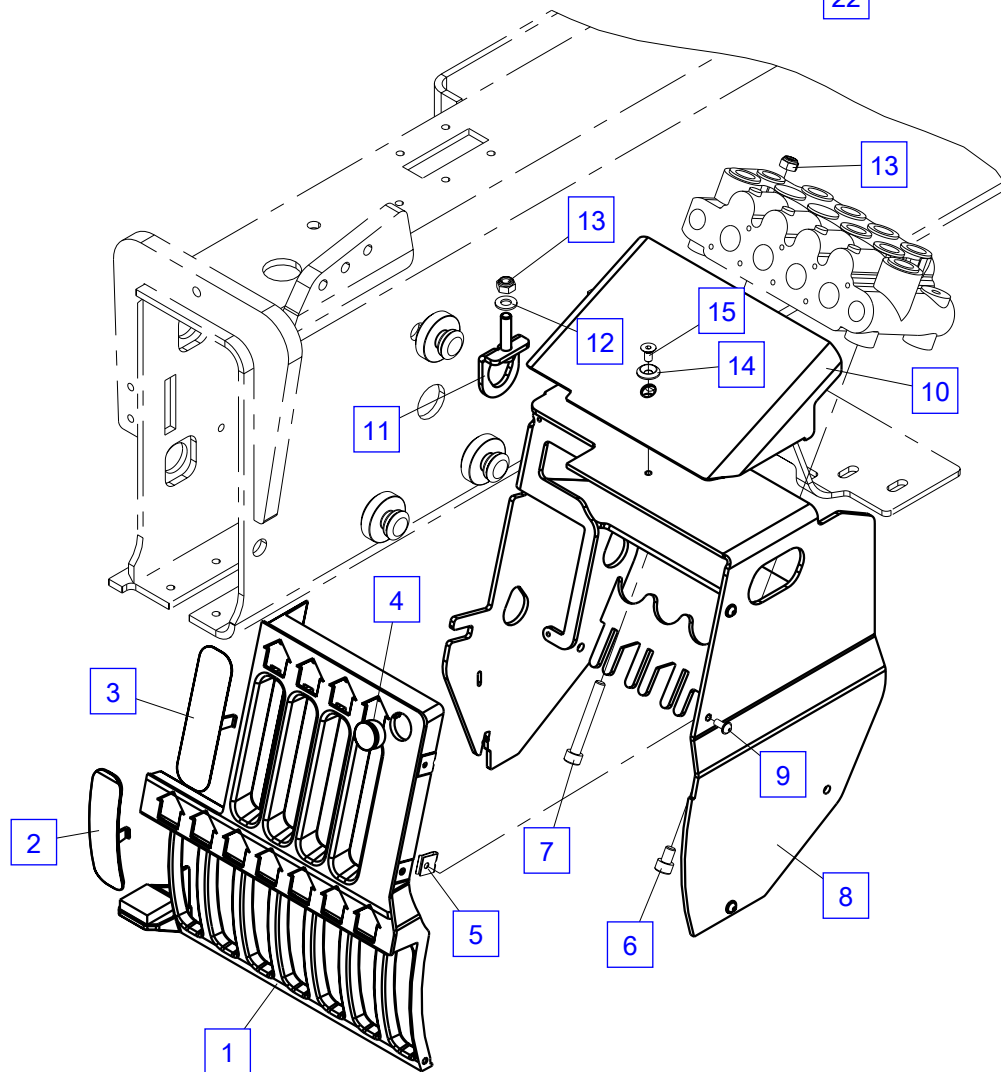
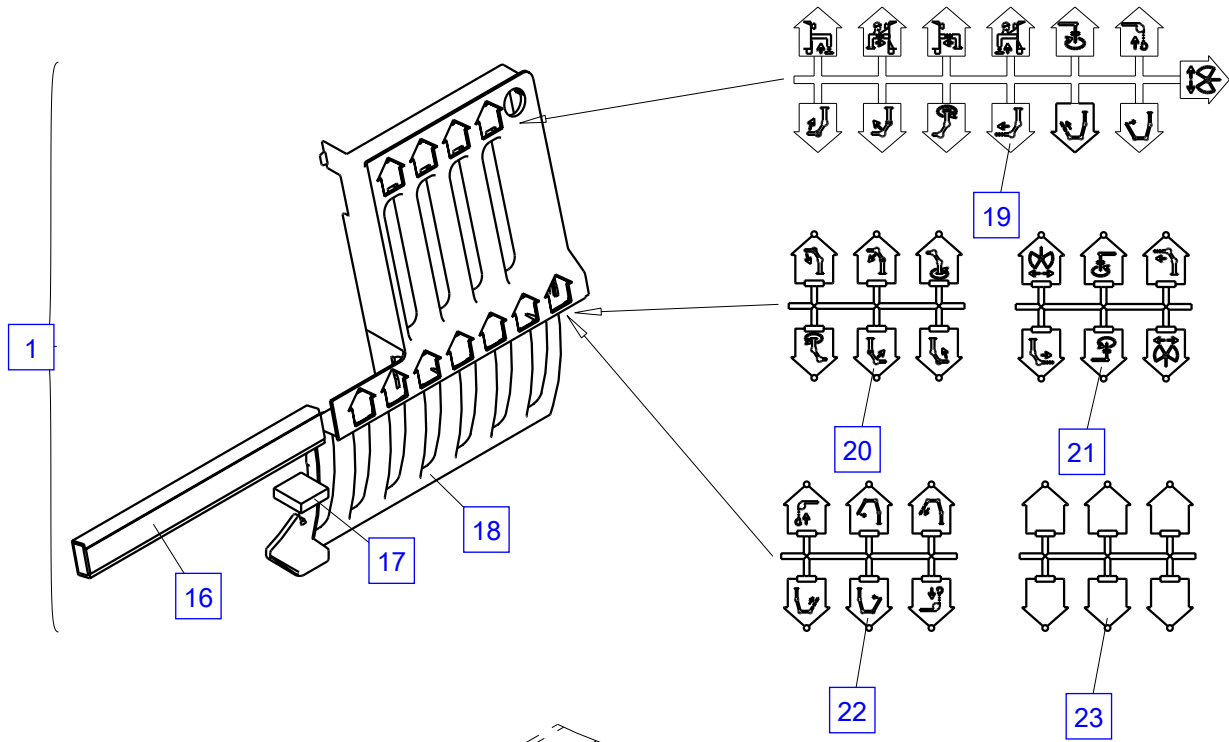
| No. | Spare part | Qty. | Description              | Dimension      |
|-----|------------|------|--------------------------|----------------|
| 2   | EK 848     | 1    | Mirror                   |                |
| 3   | EK1250     | 1    | Inclinometer             |                |
| 5   | HP 037     | 1    | Protection stirrup       |                |
| 6   | ES 994     | 1    | Screw                    | 4.2x19 ISO7049 |
| 7   | HX 001     | 1    | Cover                    |                |
| 8   | HXE 553    | 1    | Bracket without lighting |                |
| 9   | HX 057     | 1    | Cover                    |                |
| 10  | ES 962     | 3    | Screw                    | D 3x25 mm      |
| 11  | EF 174     | 3    | Spring                   |                |
| 12  | EK 535     | 1    | Cover                    |                |
| 14  | EK 536     | 1    | Cap                      |                |
| 15  | EK 898     | 1    | Control decal            |                |
| 16  | EK 517     | 1    | Symbol sign              |                |
| 17  | EK 519     | 1    | Symbol sign              |                |
| 19  | EK 540     | 1    | Blind cover              |                |



Brackets RS210

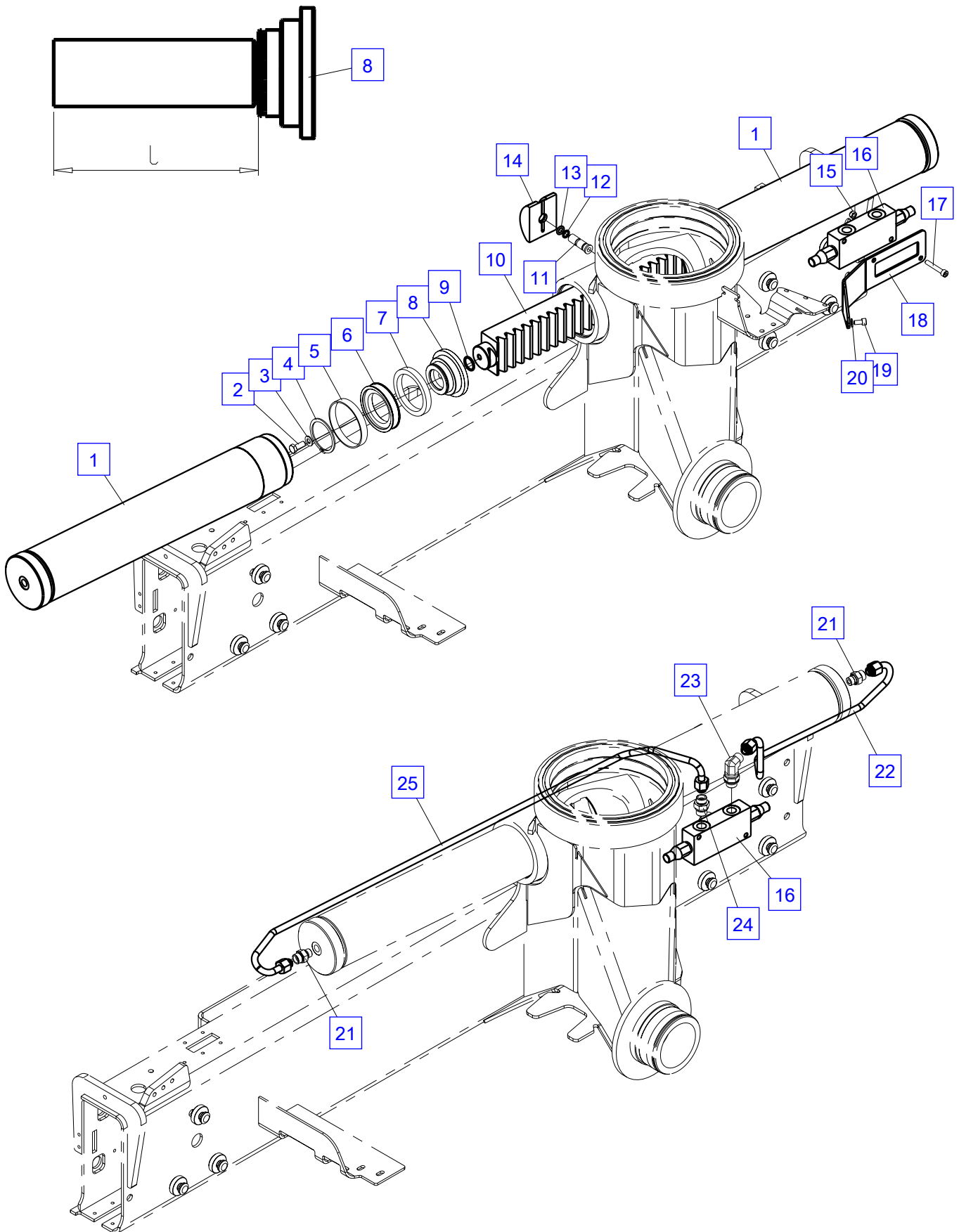
| No. | Spare part | Qty. | Description   | Dimension           |
|-----|------------|------|---------------|---------------------|
| 1   | HXE 539    | 1    | Bracket       |                     |
| 2   | EK 538     | 0    | Cap           |                     |
| 3   | EK 539     | 2    | Cap           |                     |
| 4   | EZ1580     | 1    | Blind plug    |                     |
| 5   | EM 224     | 2    | Nut           |                     |
| 6   | ES 374     | 1    | Screw         | M 8x12 ISO4762- 8.8 |
| 7   | ES1154     | 2    | Screw         | M 8x60 ISO4762- 8.8 |
| 8   | HXE1130    | 1    | Bracket       |                     |
| 9   | ES 090     | 3    | Screw         | D 5x12              |
| 10  | HXE 259    | 1    | Bracket       |                     |
| 11  | HXE1684    | 1    | Bearer        |                     |
| 12  | EK 003     | 1    | Washer        | D 8.4 ISO7089       |
| 13  | EM 026     | 3    | Nut           | M 8 DIN 985         |
| 14  | EK 567     | 1    | Washer        | D 6                 |
| 15  | ES 419     | 1    | Screw         | M6x12 ISO14581- 8.8 |
| 16  | EEA4119    | 1    | Light         |                     |
| 17  | EK1250     | 1    | Inclinometer  |                     |
| 18  | HX 031     | 1    | Cover         |                     |
| 19  | EK 898     | 1    | Control decal |                     |
| 20  | EK 517     | 1    | Symbol sign   |                     |
| 21  | EK 519     | 1    | Symbol sign   |                     |
| 22  | EK 518     | 1    | Symbol sign   |                     |
| 23  | EK 540     | 1    | Blind cover   |                     |

RS 210



Slewing system

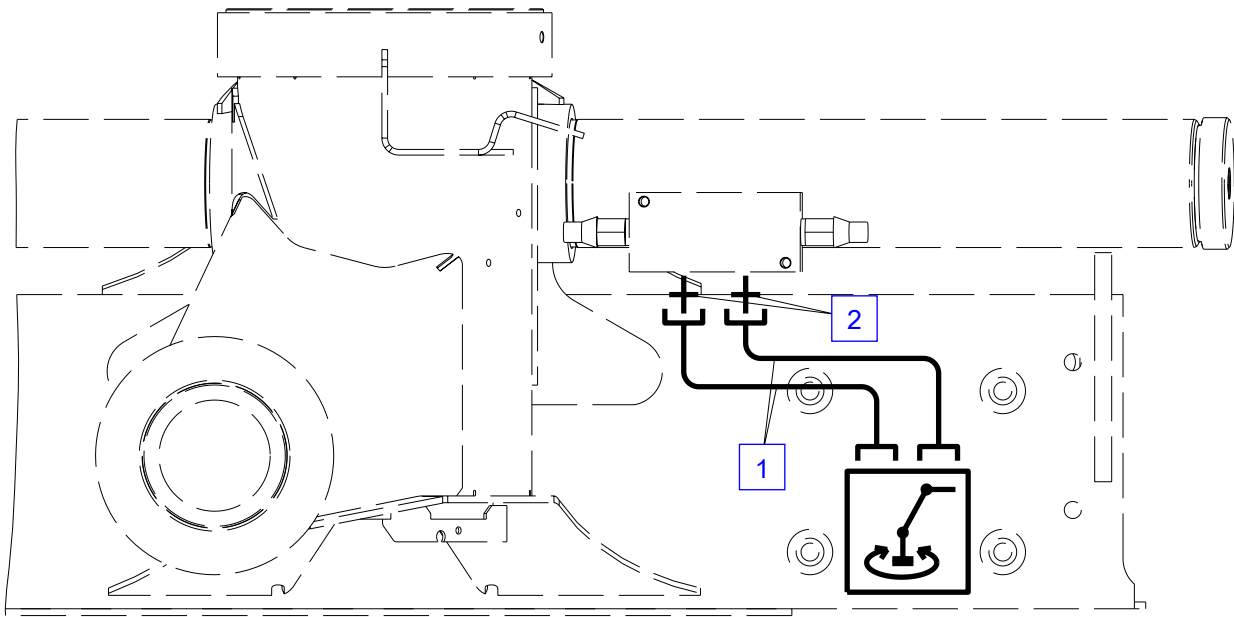
| No. | Spare part    | Qty. | Description                              | Dimension           |
|-----|---------------|------|--|---------------------|
| 1   | HY1392A+00001 | 2    | Cylinder tube (Standard colour RAL 2002) |                     |
| 2   | ES1444        | 2    | Screw                                    | M10x1x25 DIN 961    |
| 3   | EK 007        | 2    | Washer                                   | D 10.5 ISO7089      |
| 4   | EQ 132        | 2    | Circlip                                  | DIN 471 65X2,5 OT   |
| 5   | EG 111        | 2    | Guide ring                               | 100x95x14.8 mm      |
| 6   | HK 653        | 2    | Piston                                   |                     |
| 7   | ED1228        | 2    | Seal ring                                | 100x80x12.5 mm      |
| 8   | HK 652        | 2    | Piston Monopile                          | L= 42mm             |
| 9   | EO 035        | 2    | O-ring                                   | D 24,2x3            |
| 10  | HZS 089       | 1    | Rack                                     |                     |
| 11  | HIG 228       | 1    | Grease tube                              | D016.0xL0055.0      |
| 12  | EO 027        | 1    | O-ring                                   | D 11,3x2,4          |
| 13  | EO 130        | 1    | O-ring                                   | D 11x3,5            |
| 14  | EZ1208        | 1    | Guide block                              |                     |
| 15  | EM 026        | 2    | Nut                                      | M 8 DIN 985         |
| 16  | EV8883-210    | 1    | Load holding valve                       | 210 bar             |
|     | TD1600        | 1    | Seal kit                                 |                     |
| 17  | ES 432        | 2    | Screw                                    | M 8x50 ISO4762- 8.8 |
| 17  | ES1152        | 2    | Screw                                    | M 8x55 ISO4762- 8.8 |
| 18  | HA9301        | 1    | Bearer                                   |                     |
| 19  | ES 264        | 2    | Screw                                    | M8x16 ISO4762- 8.8  |
| 20  | EK 003        | 2    | Washer                                   | D 8.4 ISO7089       |
| 21  | EA 039        | 2    | Fitting                                  | GE 12S R3/8"-ED     |
| 22  | HLR 1126      | 1    | Pipe                                     | D 12                |
| 23  | EA1875        | 1    | Adaptor                                  | WEE 12S R1/2"       |
| 24  | EA 183        | 1    | Fitting                                  | GE 12S R1/2"-ED     |
| 25  | HLR 8792      | 1    | Pipe                                     | D 12                |



## Piping - slewing system F

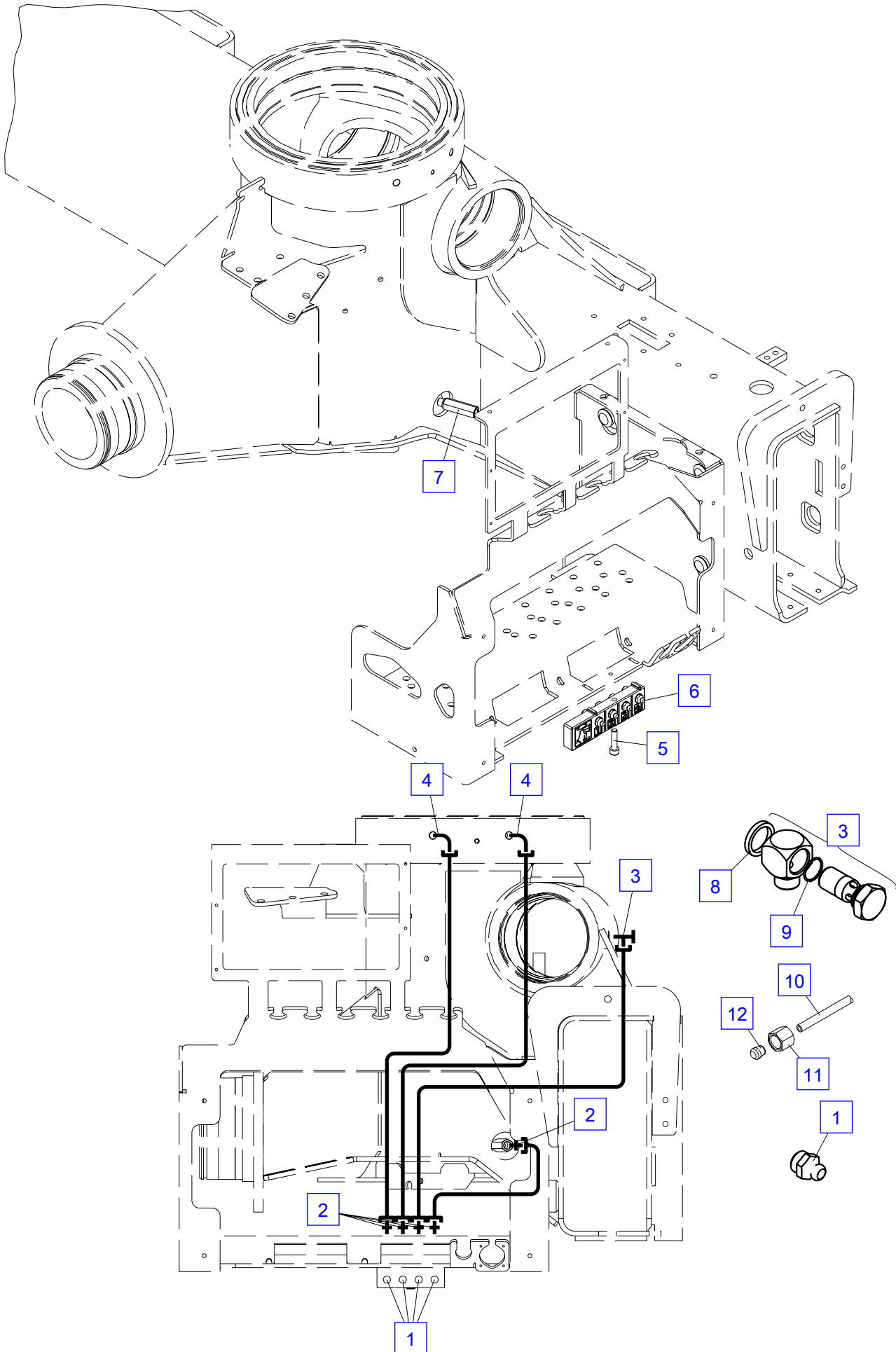
| No. | Spare part | Qty. | Description | Dimension       |
|-----|------------|------|-------------|-----------------|
| 1   | EH2304     | 2    | Hose        | NW 8x550        |
| 2   | EA 183     | 2    | Fitting     | GE 12S R1/2"-ED |





## Piping - lube system

| No. | Spare part | Qty. | Description   | Dimension              |
|-----|------------|------|---------------|------------------------|
| 1   | EA 005     | 4    | Grease nipple | M10x1 DIN71412         |
| 2   | EA 002     | 5    | Fitting       | GE 6L M10x1-ED         |
| 3   | EA 001     | 1    | Adaptor       | WH 06L M 10x1          |
| 4   | EA 623     | 2    | Fitting       | WE 06-LM               |
| 5   | ES 087     | 1    | Screw         | M 6x30 - 8.8 - ISO4762 |
| 6   | HXE 714    | 1    | Grease block  |                        |
| 7   | HLA1098    | 1    | Fitting       |                        |
| 8   | ED 391     | 1    | Sealing ring  | KD M10                 |
| 9   | EO 547     | 1    | O-ring        | D 9,3x1,5              |
| 10  | EH1434     | 0    | Grease hose   |                        |
| 11  | EA 641     | 8    | Nut           | M 6 L                  |
| 12  | EA 265     | 8    | Cutting ring  | D 6 S                  |

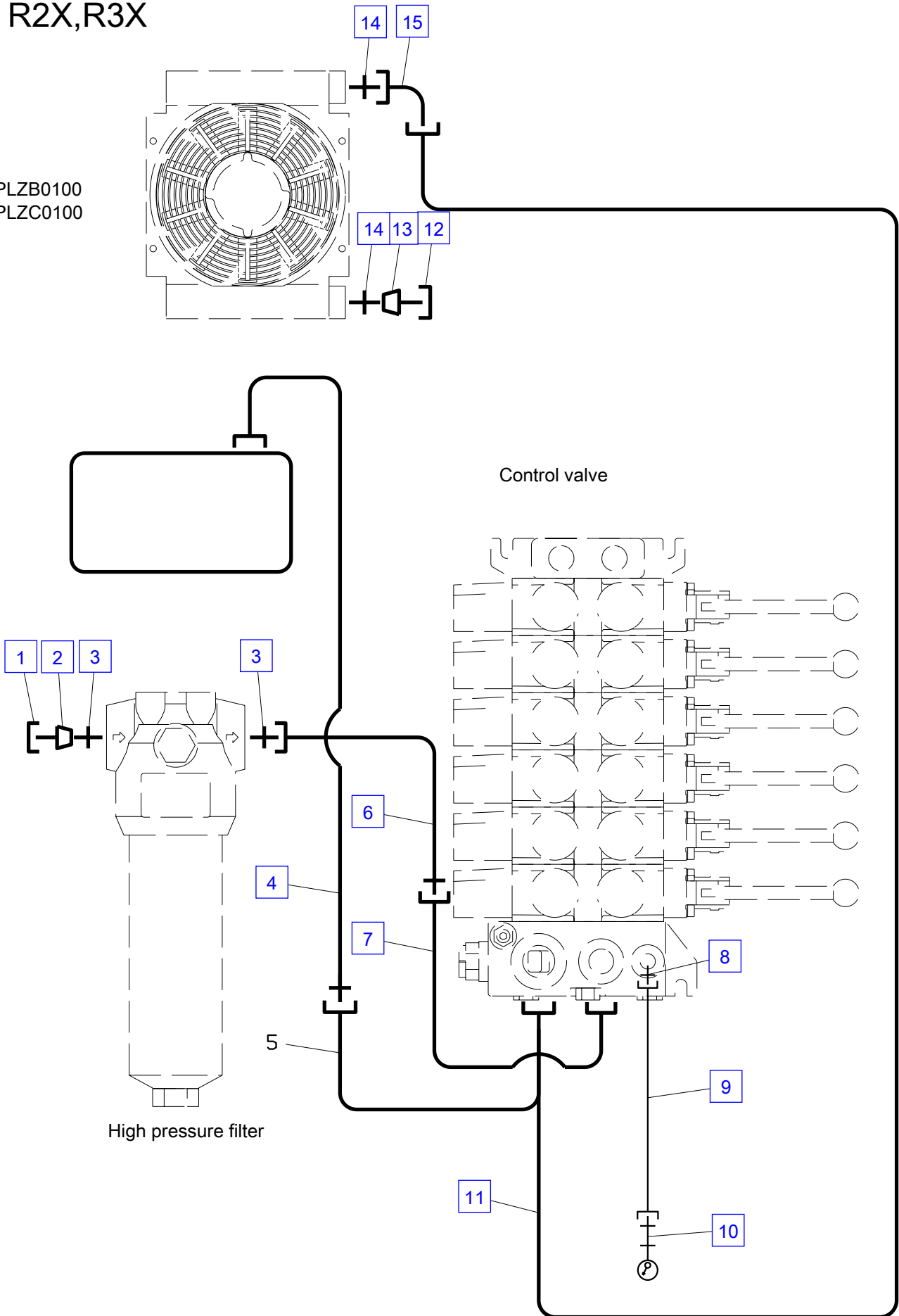


Piping - control F

| No. | Spare part | Qty. | Description               | Dimension         |
|-----|------------|------|---------------------------|-------------------|
| 1   | EA 045     | 1    | Nut                       | M 16-S - M 24x1,5 |
| 2   | EA 343     | 1    | Blind plug                | BUZ 16 S          |
| 3   | EA 033     | 3    | Fitting                   | GE 16 SR 3/4"ED   |
| 4   | EH1175     | 1    | Hose                      | NW 16x1100        |
| 6   | EH6000     | 1    | Hose                      | NW 12x700         |
| 7   | HLR10217   | 1    | Pipe                      | D 16              |
| 8   | EA 089     | 1    | Fitting                   | GE 08S R1/4"-ED   |
| 9   | HLR 1198   | 1    | Pipe                      | D 8               |
| 10  | EA 517     | 1    | Pressure gauge connection | SVMA 8-S          |
| 11  | EH4921     | 1    | Hose                      | NW 16x1700        |
| 12  | EA 238     | 1    | Nut                       | M 18-L            |
| 13  | EA 344     | 1    | Blind plug                | BUZ 18 L          |
| 14  | EA1514     | 2    | Fitting                   | GE 18-LR 1/1-ed   |
| 15  | EA 237     | 1    | Angle fitting             | EW 18 L           |

R2X,R3X

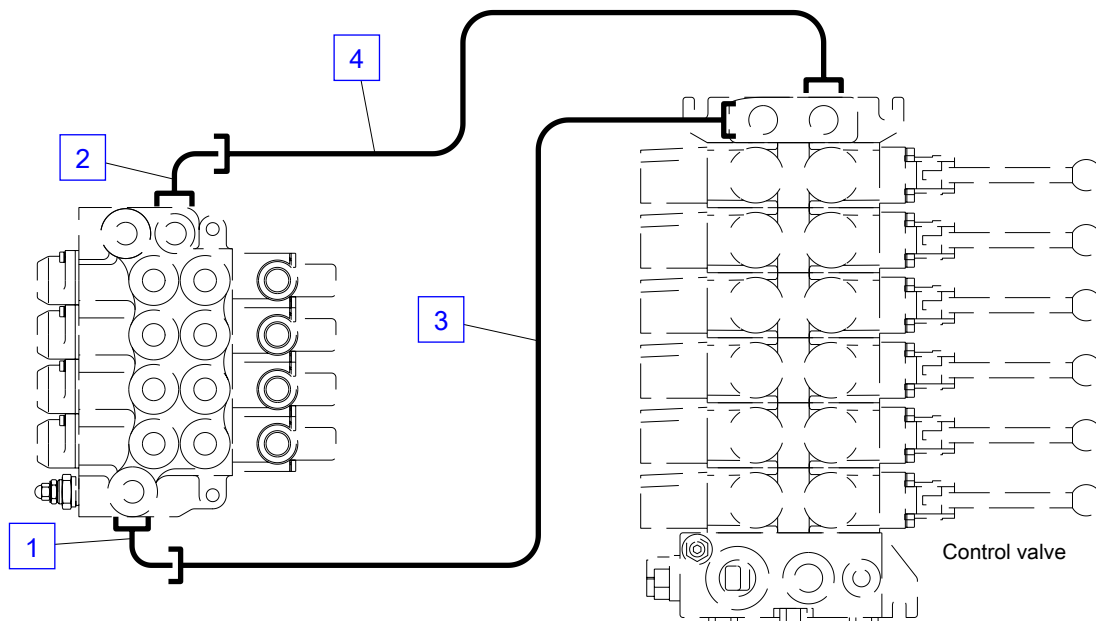
PLZB0100  
PLZC0100



Piping - R2X,R3X

| No. | Spare part | Qty. | Description   | Dimension |
|-----|------------|------|---------------|-----------|
| 1   | EA 019     | 1    | Angle fitting | EW 16S    |
| 2   | EA 237     | 1    | Angle fitting | EW 18 L   |
| 3   | HLR11027   | 1    | Pipe          | D 16      |
| 4   | HLR10986   | 1    | Pipe          | D 18      |

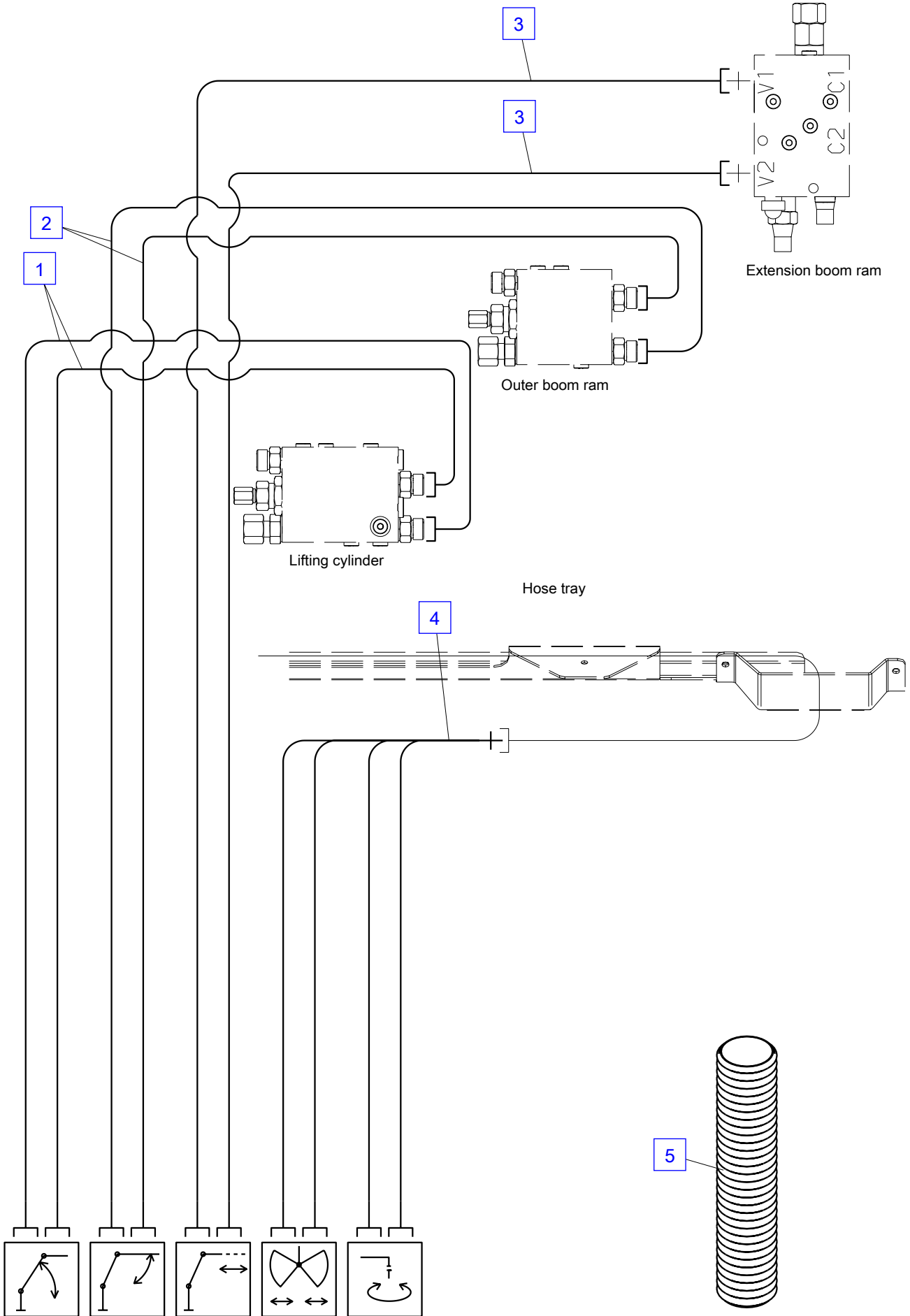
R2X,R3X



## Hoses F

| No. | Spare part | Qty. | Description     | Dimension   |
|-----|------------|------|-----------------|-------------|
| 1   | EH6202     | 2    | Hose            | NW 10x4500  |
| 2   | EH6391     | 2    | Hose            | NW 10x4700  |
| 3   | EH4878     | 2    | Hose            | NW 10x6000  |
| 4   | EH6203     | 4    | Hose            | NW 10x6900  |
| 5   | EZ1009     | 1    | Protection hose | NW 100x700  |
| 5   | EZ1838     | 1    | Protection hose | NW 100x2200 |

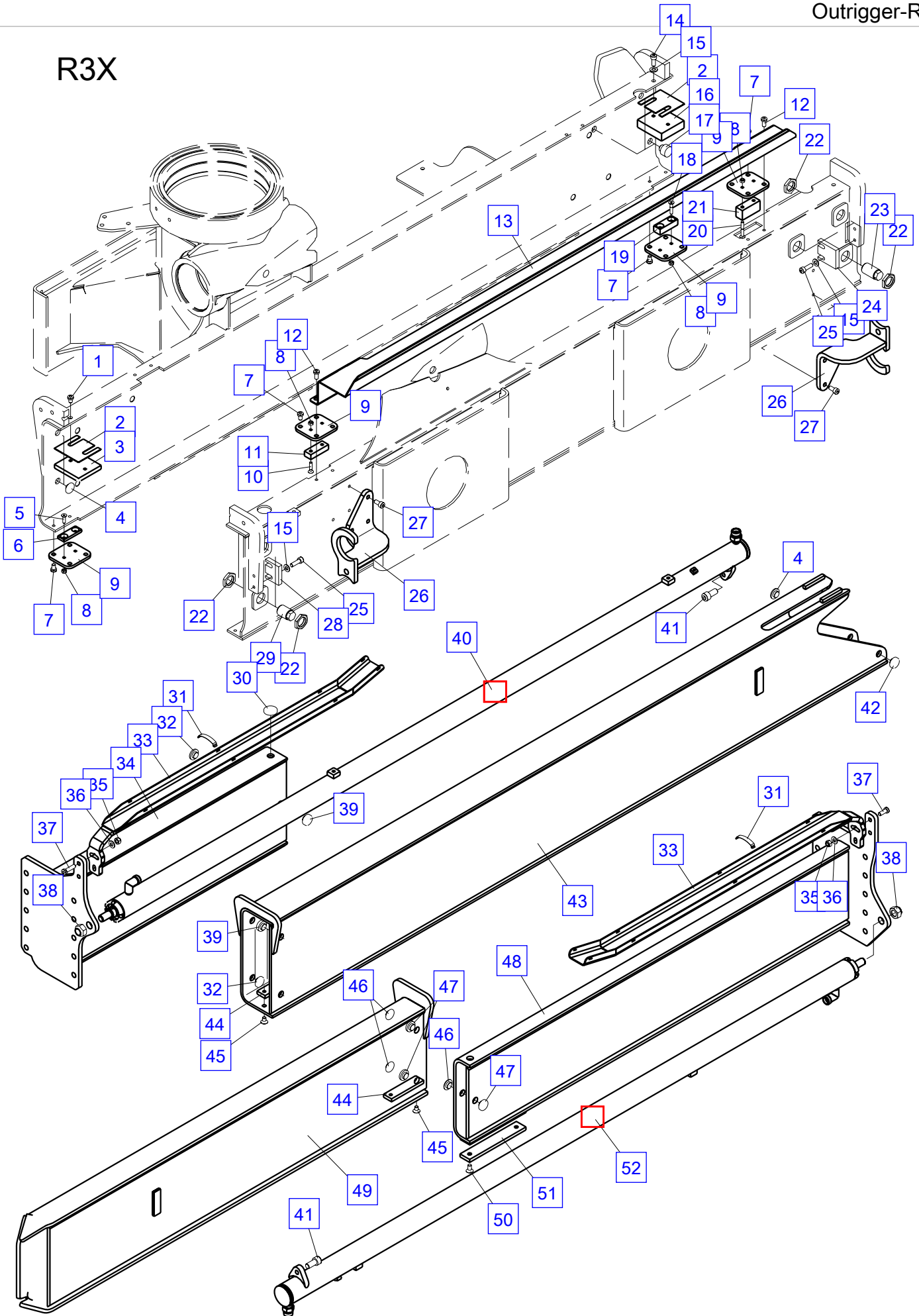




Outrigger-R3X

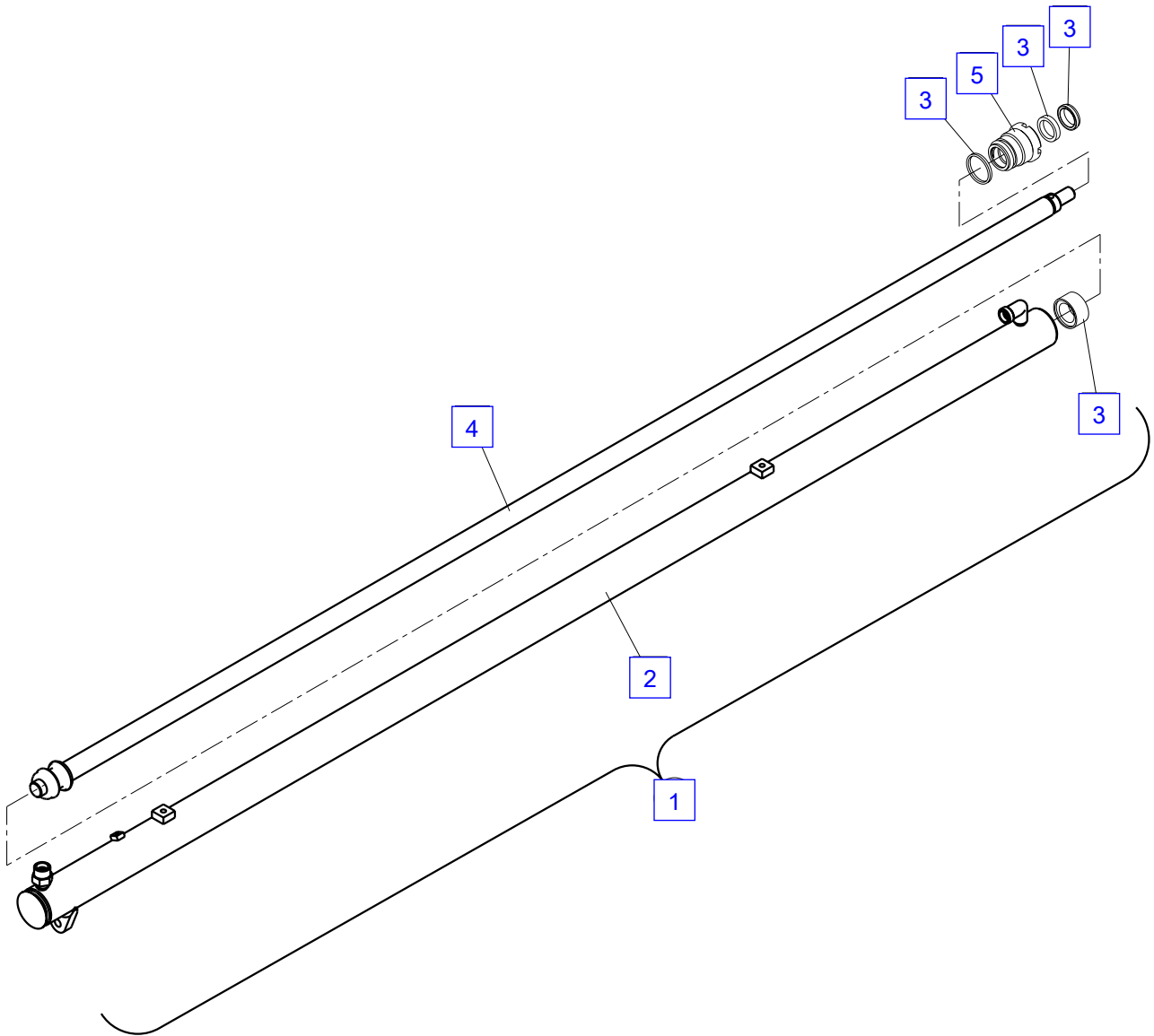
| No. | Spare part | Qty. | Description                  | Dimension            |
|-----|------------|------|------------------------------|----------------------|
| 1   | ES1089     | 2    | Screw                        | M 8x10 DIN 7984 8.8  |
| 2   | HTR1529    | 0    | Shim plate                   | 1 mm                 |
| 3   | HTR1166    | 1    | Shim plate                   | 10 mm                |
| 3   | HTR1545    | 1    | Shim plate                   | 8 mm                 |
| 4   | HF 050     | 3    | Guide                        | 3 mm                 |
| 5   | ES 198     | 2    | Screw                        | M 5x20 ISO14581- 8.8 |
| 6   | HTR1539    | 1    | Guide block                  | 6 mm                 |
| 7   | ES1082     | 12   | Screw                        | M 8x12 DIN 7984 8.8  |
| 8   | EM 040     | 8    | Nut                          | DIN985-8 M5          |
| 9   | HTR3431    | 4    | Fastening plate              |                      |
| 10  | ES 200     | 2    | Screw                        | M 5x25 DIN 7991      |
| 11  | HTR3367    | 1    | Guide block                  | 13 mm                |
| 12  | ES 308     | 4    | Screw                        | M 8x20 DIN7984- 8.8  |
| 13  | HA3499A    | 1    | Hose tray                    |                      |
| 14  | ES 265     | 2    | Screw                        | M 8x20 ISO4762- 8.8  |
| 15  | EK 340     | 6    | Washer                       | D8 ISO7089-A2-HV140  |
| 16  | HTR1161    | 1    | Shim plate                   | 20 mm                |
| 17  | HF 281     | 3    | Guide                        | 13.5 mm              |
| 18  | ES 212     | 2    | Screw                        | M 5x30 ISO14581- 8.8 |
| 19  | HTR3368    | 1    | Guide block                  | 15 mm                |
| 20  | ES 582     | 2    | Screw                        | M 5x40 DIN 7991      |
| 21  | HTR3363    | 1    | Guide block                  | 24 mm                |
| 21  | HTR3364    | 1    | Guide block                  | 26 mm                |
| 22  | EM 540     | 10   | Nut                          | M 24x1.5 DIN 80705   |
| 23  | HIG 428A   | 3    | Guide                        | L=46 mm              |
| 24  | HTR3551    | 1    | Guide piece                  | 10 mm                |
| 25  | ES 006     | 4    | Screw                        | M 8x25 ISO4762-10.9  |
| 26  | HXE1558    | 2    | Cylinder guide               |                      |
| 27  | ES 051     | 6    | Screw                        | M 8x16 DIN 7984 8.8  |
| 28  | HTR3550    | 1    | Guide piece                  | 10 mm                |
| 29  | HIG 653A   | 2    | Pin                          | D024.0xL0037.0       |
| 30  | HF 577A    | 1    | Guide                        | 5 mm                 |
| 31  | EF 041     | 8    | Spring                       |                      |
| 32  | HF 108     | 3    | Guide                        | 4 mm                 |
| 33  | HXE 293    | 2    | Hose tray                    |                      |
| 34  | S106A31-B  | 1    | Extension box3X              |                      |
| 35  | EM 026     | 4    | Nut                          | M 8 DIN 985          |
| 36  | EK 340     | 4    | Washer                       | D8 ISO7089-A2-HV140  |
| 37  | ES 275     | 4    | Screw                        | M 8x30 DIN 7984      |
| 38  | EM 031     | 2    | Nut                          | M 16 DIN 985         |
| 39  | HF 345     | 3    | Guide                        | 7 mm                 |
| 40  | UP1406A    | 1    | Outrigger extension cylinder |                      |
| 41  | ES 041     | 2    | Screw                        | M 12x25 ISO4762-10.9 |
| 42  | HF 795     | 1    | Guide                        | 6 mm                 |
| 43  | S106A30-A  | 1    | Extension box3X              |                      |
| 44  | HTR4024    | 2    | Striker bar                  | 8 mm                 |
| 44  | HTR1948    | 2    | Striker bar                  | 10 mm                |
| 45  | ES 123     | 4    | Screw                        | M 8x12 ISO14581- 8.8 |
| 46  | HF 047     | 3    | Guide                        | 2 mm                 |
| 47  | HF 007     | 3    | Guide                        | 5 mm                 |
| 48  | S106A33-A  | 1    | Extension box3X              |                      |
| 49  | S106A32-A  | 1    | Extension box3X              |                      |
| 50  | ES 156     | 2    | Screw                        | M 8x16 ISO14581- 8.8 |
| 51  | HTR1946    | 1    | Guide                        | 8 mm                 |
| 51  | HTR1947    | 1    | Guide                        | 10 mm                |
| 52  | UP1408C    | 1    | Outrigger extension cylinder |                      |

R3X



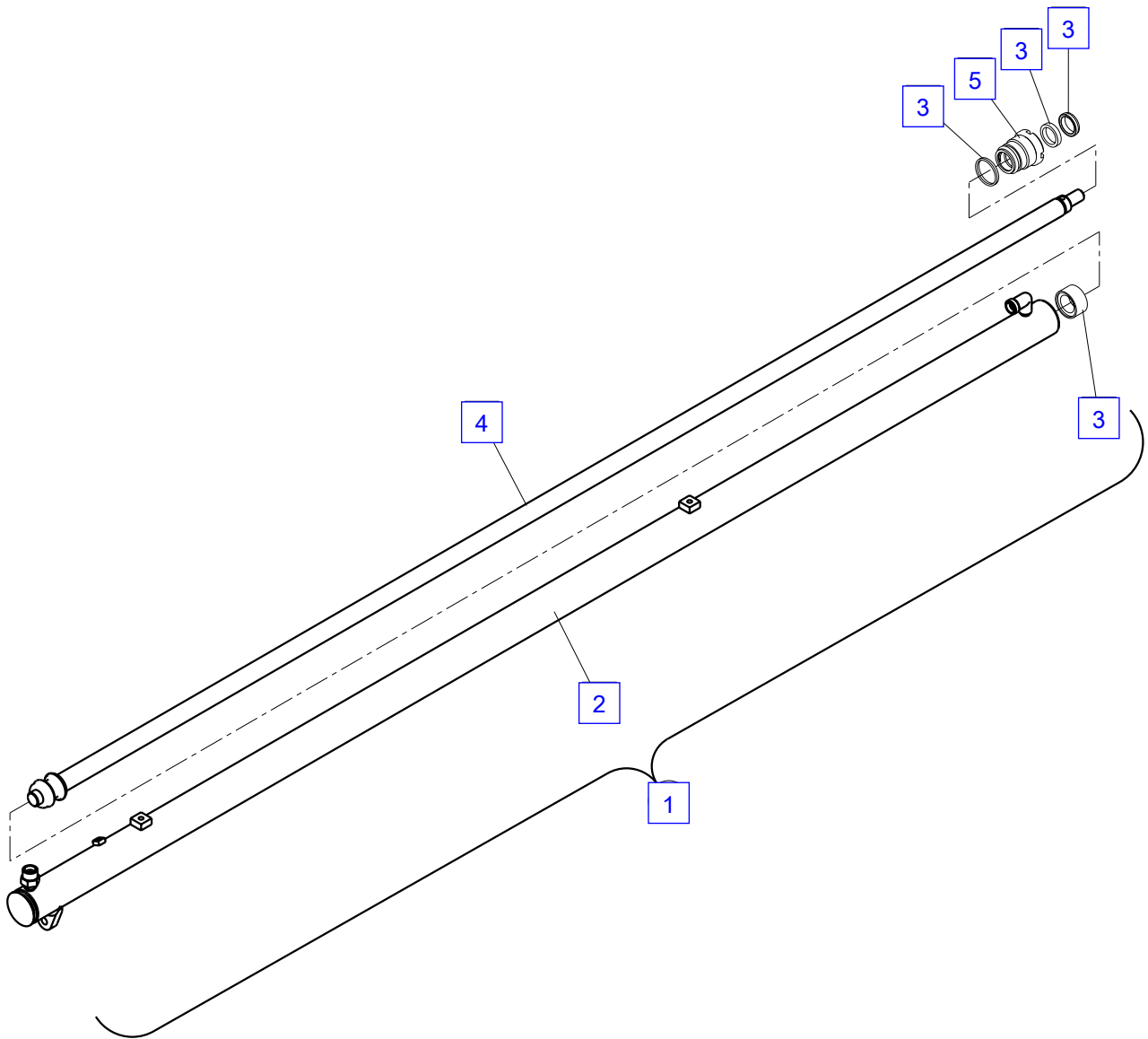
## Outrigger extension cylinder UP1408C

| No. | Spare part | Qty. | Description                  | Dimension           |
|-----|------------|------|------------------------------|---------------------|
| 1   | UP1408C    | 1    | Outrigger extension cylinder |                     |
| 2   | HY1280A    | 1    | Cylinder tube                |                     |
| 3   | TD 526A    | 1    | Seal kit                     |                     |
| 4   | HSK1166    | 1    | Piston rod                   | D025xL1799 Dzyl.040 |
| 5   | HV 437A    | 1    | Cylinder nut                 | M044x1.5 d025xL052  |



## Outrigger extension cylinder UP1406A

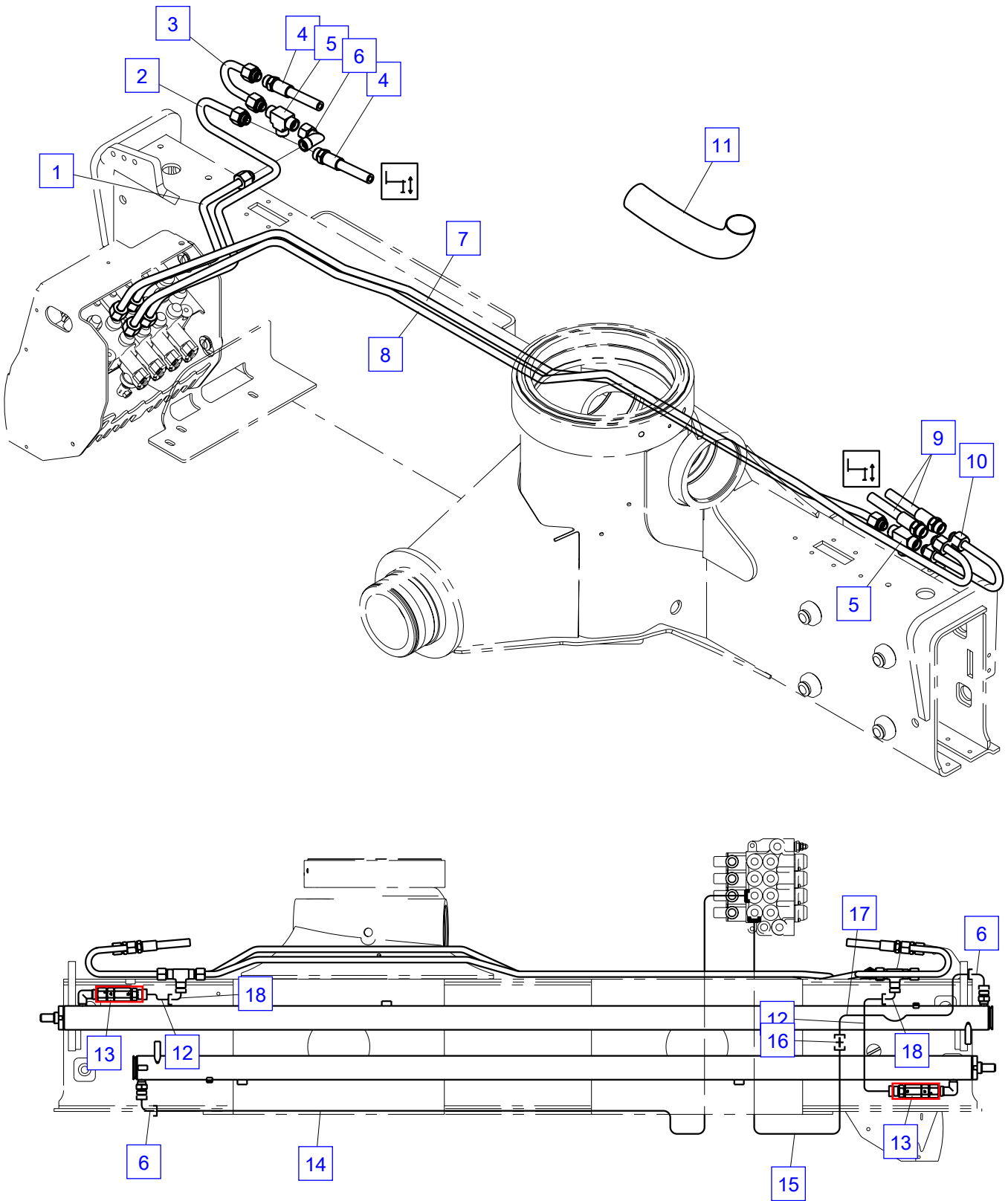
| No. | Spare part | Qty. | Description                  | Dimension          |
|-----|------------|------|------------------------------|--------------------|
| 1   | UP1406A    | 1    | Outrigger extension cylinder |                    |
| 2   | HY1278     | 1    | Cylinder tube                |                    |
| 3   | TD 526A    | 1    | Seal kit                     |                    |
| 4   | HSK1162    | 1    | Piston rod                   |                    |
| 5   | HV 437A    | 1    | Cylinder nut                 | M044x1.5 d025xL052 |



Piping - R2X,R3X

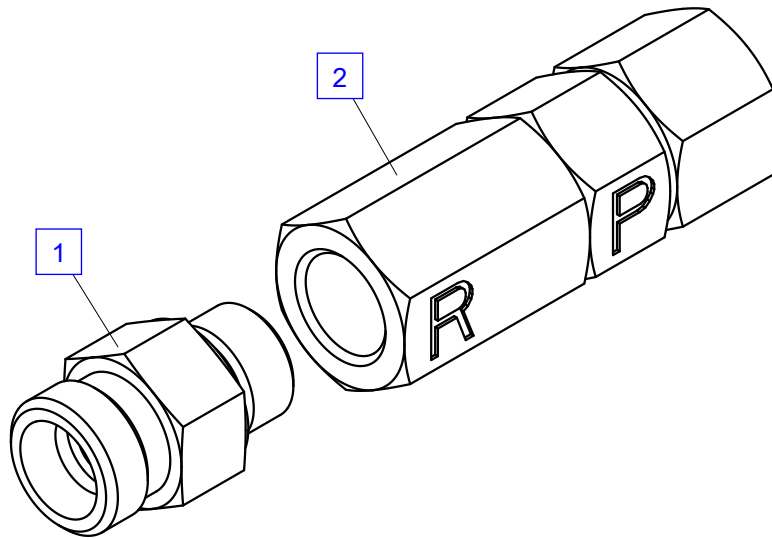
| No. | Spare part | Qty. | Description            | Dimension |
|-----|------------|------|------------------------|-----------|
| 1   | HLR 1026   | 1    | Pipe                   | D 12      |
| 2   | HLR 1027   | 1    | Pipe                   | D 12      |
| 3   | HLR 1091   | 1    | Pipe                   | D 12      |
| 4   | EH 681     | 2    | Hose                   | NW 8x2250 |
| 5   | EA 195     | 2    | Fitting                | T 12-S    |
| 6   | EA 280     | 3    | Angle fitting          | EW 12 S   |
| 7   | HLR 1107   | 1    | Pipe                   | D 12      |
| 8   | HLR 1029   | 1    | Pipe                   | D 12      |
| 9   | EH 682     | 2    | Hose                   | NW 8x2400 |
| 10  | HLR 1119   | 1    | Pipe                   | D 12      |
| 11  | EH1393     | 1    | Protection hose        | D 40x2400 |
| 11  | EH1421     | 1    | Protection hose        | D 40x2250 |
| 12  | EH3094     | 2    | Hose                   | NW 8x480  |
| 13  | UV423      | 2    | Pretension valve, cpl. | 80 bar    |
| 14  | HLR 8770   | 1    | Pipe                   | D 12      |
| 15  | HLR 8771   | 1    | Pipe                   | D 12      |
| 16  | EA 204     | 1    | Fitting                | G 12 S    |
| 17  | HLR 8772   | 1    | Pipe                   | D 12      |
| 18  | EA 280     | 2    | Angle fitting          | EW 12 S   |





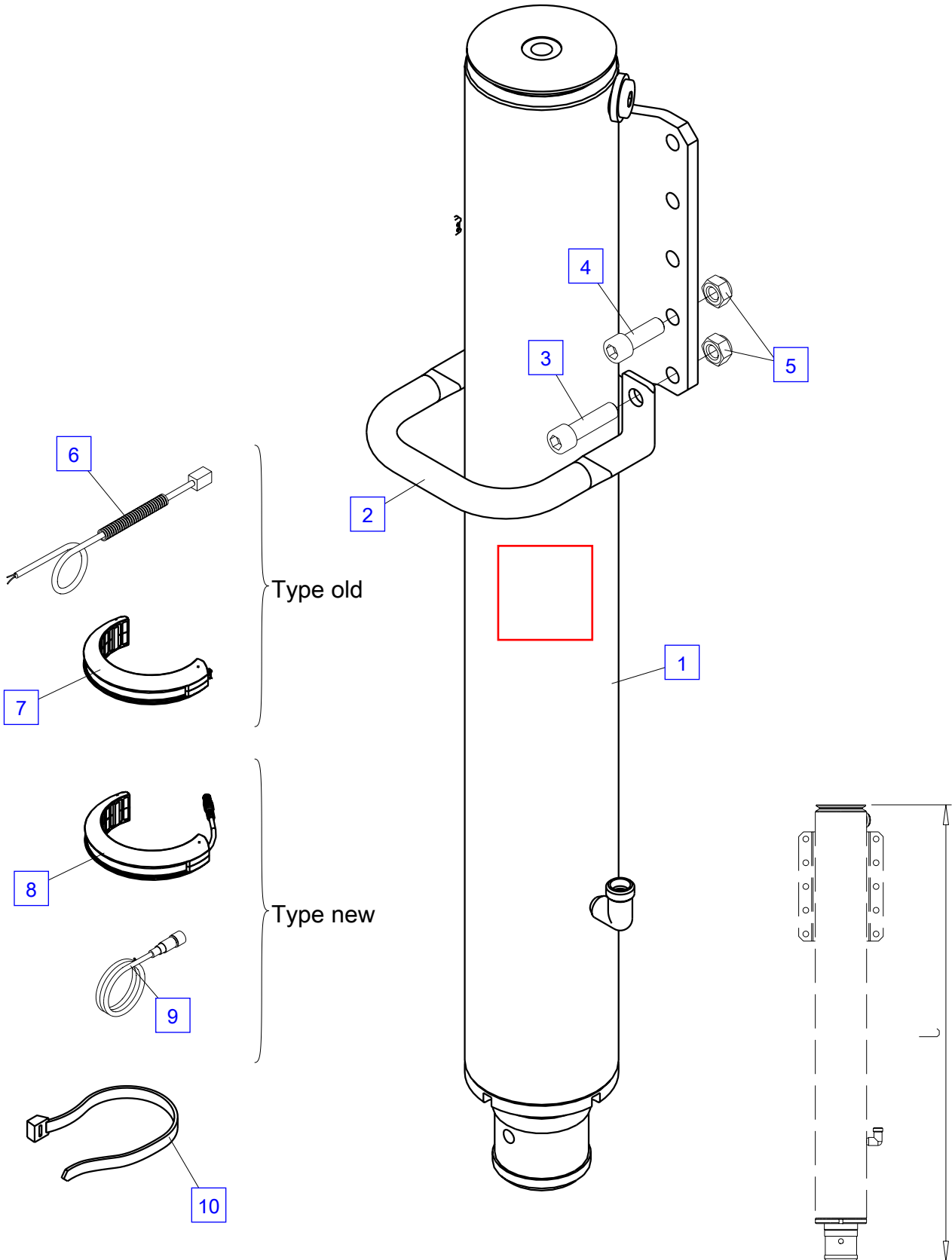
## Pretension valve UV423

| No. | Spare part | Qty. | Description            | Dimension       |
|-----|------------|------|------------------------|-----------------|
|     | UV423      | 1    | Pretension valve, cpl. | 80 bar          |
| 1   | EA 039     | 1    | Fitting                | GE 12S R3/8"-ED |
| 2   | EV4107/080 | 1    | Pretension valve       |                 |



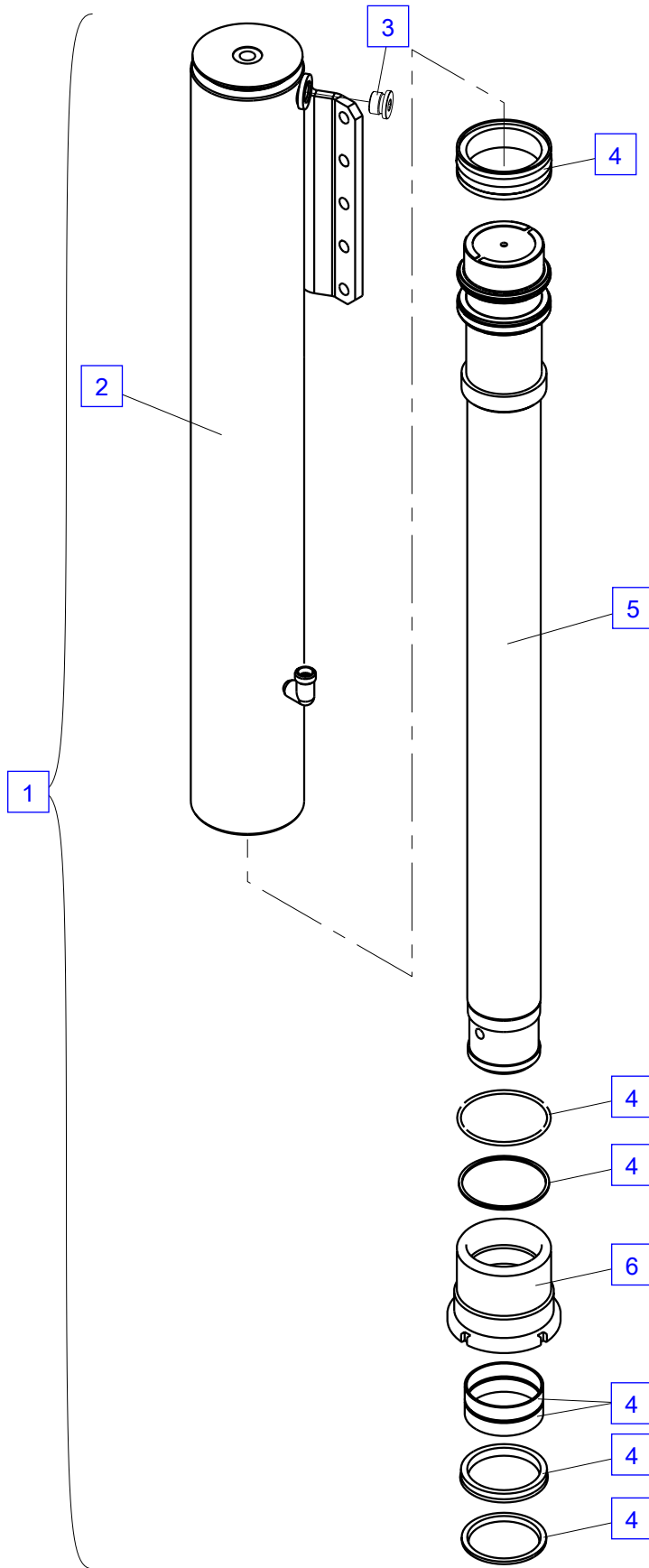
Stabilizer ram STZS3

| No. | Spare part   | Qty. | Description              | Dimension            |
|-----|--------------|------|--------------------------|----------------------|
| 1   | UP1489A      | 1    | Stabilizer ram           | l=961 mm             |
| 2   | HAU 197      | 1    | Stirrup                  |                      |
| 3   | ES 173       | 2    | Screw                    | M 12x45 ISO4762-10.9 |
| 4   | ES 157       | 8    | Screw                    | M 12x35 ISO4762-10.9 |
| 5   | EM 158M      | 10   | Nut                      | M 12 DIN 980         |
| 6   | EEA5740      | 1    | Plug with cable (2-pole) | 5 m                  |
|     | EEA 082      | 1    | Plug (2-pole)            |                      |
|     | EEA 083      | 2    | Pin                      |                      |
| 7   | HXE 521      | 1    | Light, cpl.              | 24V                  |
| 8   | HXE 521A-24V | 1    | Light                    | M 8 d=108 mm         |
| 9   | EEA5453      | 1    | Plug with cable (3-pole) | M 8 - 8 m            |
| 10  | EK 387       | 1    | Mounting band            | l=500x9 mm           |



## Stabilizer ram UP1489A

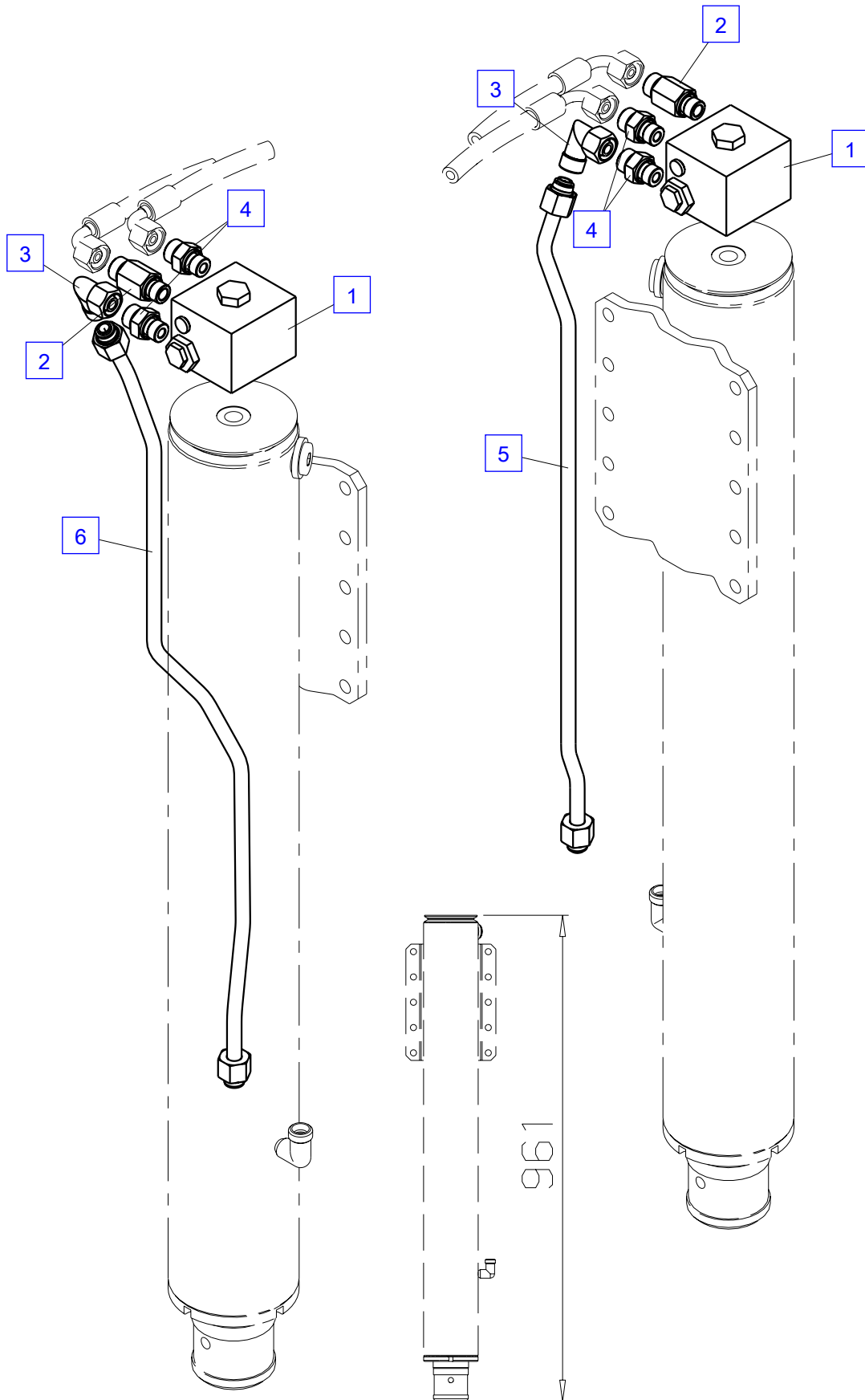
| No. | Spare part | Qty. | Description    | Dimension  |
|-----|------------|------|----------------|------------|
| 1   | UP1489A    | 1    | Stabilizer ram | l=961 mm   |
| 2   | HY1370A    | 1    | Cylinder tube  |            |
| 3   | EA 261     | 1    | Locking screw  | VSTI R1/2" |
| 4   | TD 596A    | 1    | Seal kit       |            |
| 5   | HSK 083B   | 1    | Piston rod     |            |
| 6   | HV 371A    | 1    | Cylinder nut   |            |



## Pipes - support STZS3

| No. | Spare part | Qty. | Description                | Dimension       |
|-----|------------|------|----------------------------|-----------------|
| 1   | EV4700     | 2    | Pilot operated check valve |                 |
|     | EV 867     | 1    | Valve                      |                 |
|     | TD 264     | 1    | Seal kit                   |                 |
|     | ASP0001074 | 1    | Banjo bolt                 |                 |
| 2   | HLA2038    | 2    | Fitting                    | GE 12S 3/8-ed   |
| 3   | EA 280     | 2    | Angle fitting              | EW 12 S         |
| 4   | EA 039     | 4    | Fitting                    | GE 12S R3/8"-ED |
| 5   | HLR 1196   | 1    | Pipe                       | D 12            |
| 6   | HLR 1197   | 1    | Pipe                       | D 12            |

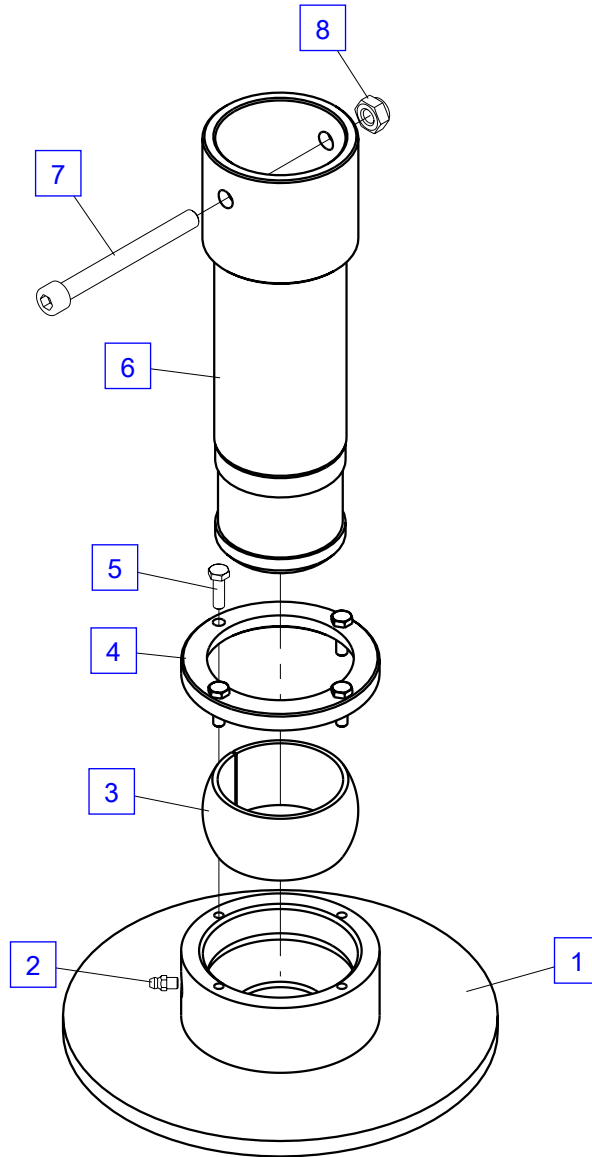




## Stabilizer plates

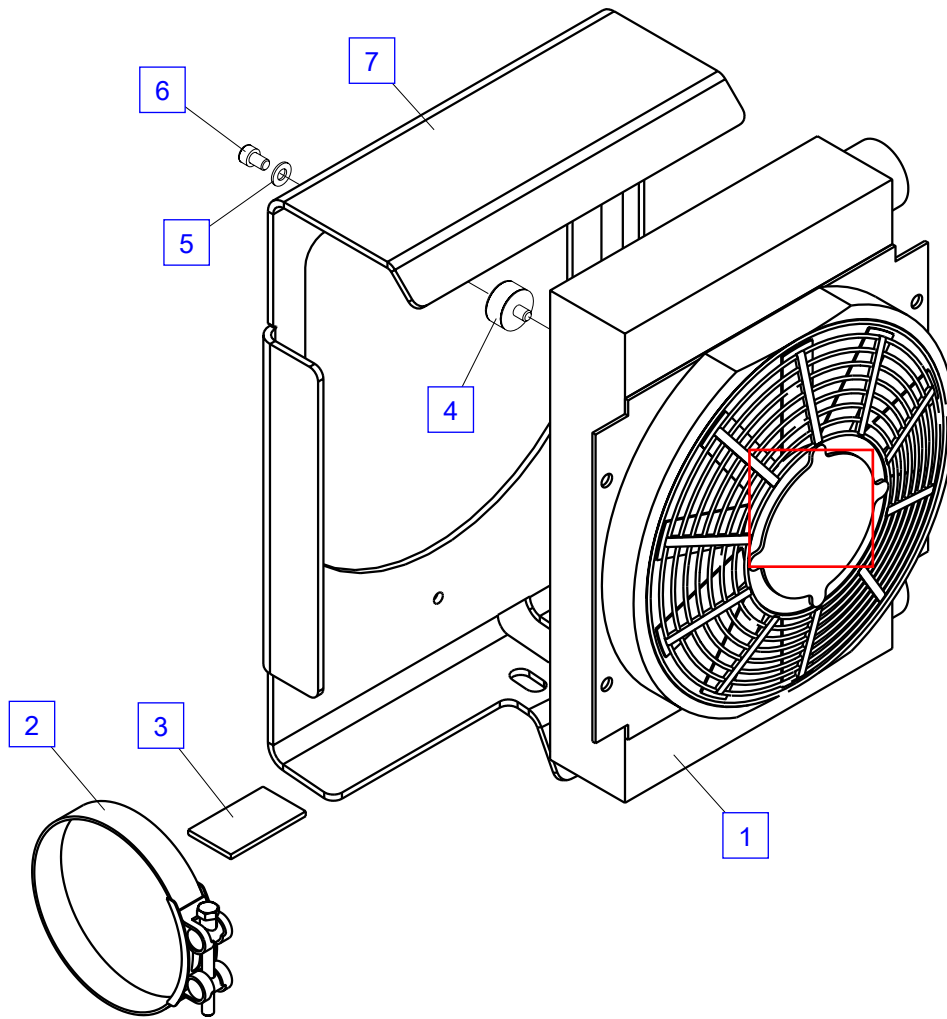
| No. | Spare part | Qty. | Description          | Dimension            |
|-----|------------|------|----------------------|----------------------|
| 1   | HXE3179    | 1    | Stabilizer plates    |                      |
| 2   | EA 412     | 1    | Grease nipple        | M 6x1 H1 71412       |
| 3   | HBS3280    | 1    | Bearing bush         | d066xD082xL040       |
| 4   | HBS3279    | 1    | Cover                | D105.0xd077.8xL010.0 |
| 5   | ES 344     | 4    | Screw                | M6x20 DIN 933        |
| 6   | HXE3230    | 1    | Stabilizer extension | STT="200"            |
| 7   | ES1447     | 1    | Screw                | M 10x100 DIN912      |
| 8   | EM 021     | 1    | Nut                  | DIN 985 M10 CL8 ZB   |

EN 12999



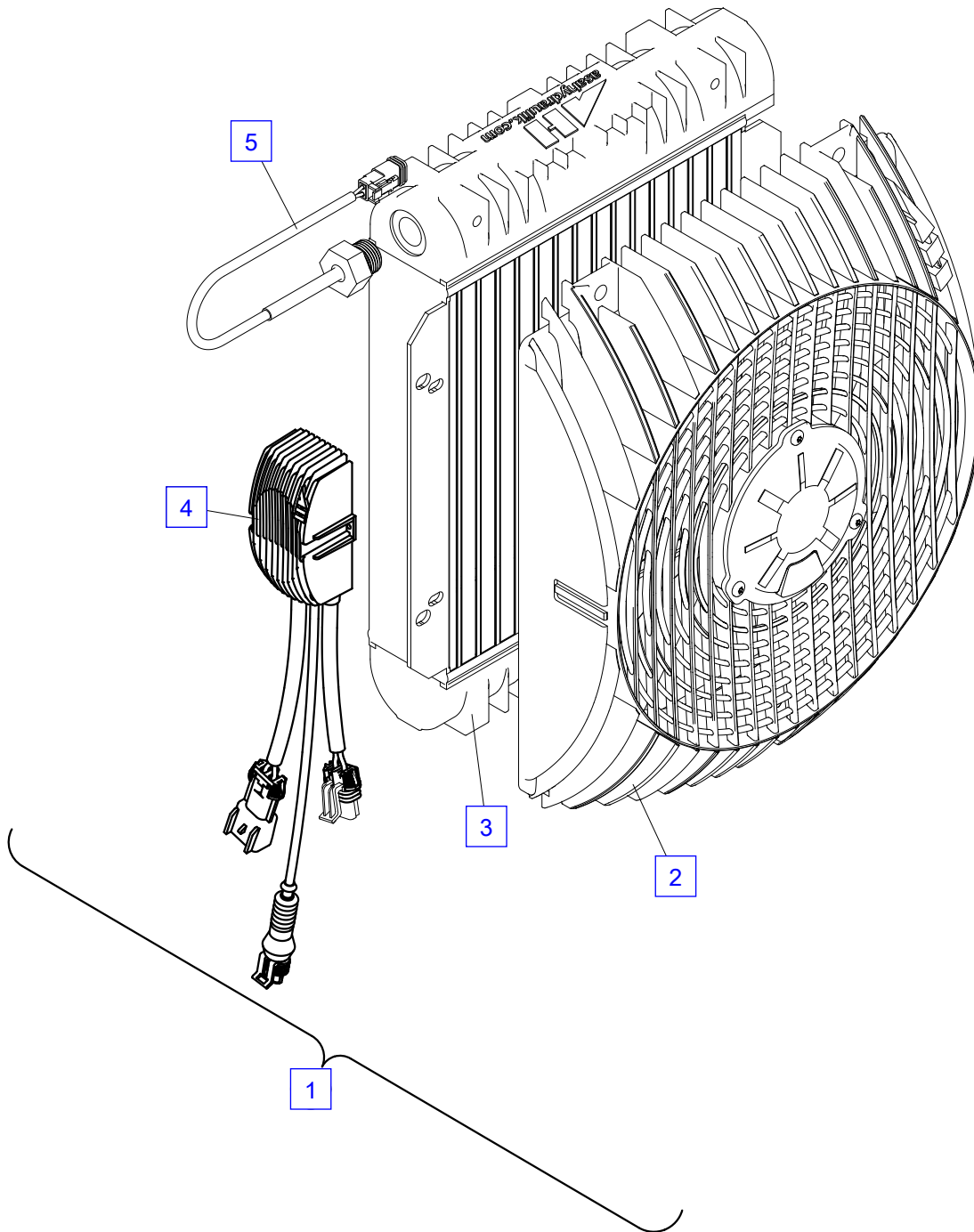
## Oil cooler

| No. | Spare part | Qty. | Description   | Dimension           |
|-----|------------|------|---------------|---------------------|
| 1   | EP 629-24V | 1    | Oil cooler    | 24 V ÖKO 25-1       |
| 2   | EZ2309     | 2    | Hose clip     | D 113-121 mm        |
| 3   | HTR 750    | 2    | Rubber mat    |                     |
| 4   | EK 862     | 3    | Rubber damper |                     |
| 5   | EK 003     | 3    | Washer        | D 8.4 ISO7089       |
| 6   | ES 374     | 3    | Screw         | M 8x12 ISO4762- 8.8 |
| 7   | HA11497    | 1    | Bracket       |                     |



Oil cooler EP 629-12(24)V

| No. | Spare part | Qty. | Description            | Dimension     |
|-----|------------|------|------------------------|---------------|
| 1   | EP 629-24V | 1    | Oil cooler             | 24 V ÖKO 25-1 |
| 2   | EZ1571     | 1    | Ventilator with motor  | 24 V          |
| 3   | EZ4764     | 1    | Oil cooler             |               |
| 4   | EZ6489     | 1    | Control for ventilator | 24 V          |
| 5   | EZ2572     | 1    | Thermostat             | ILLZTT5067K   |



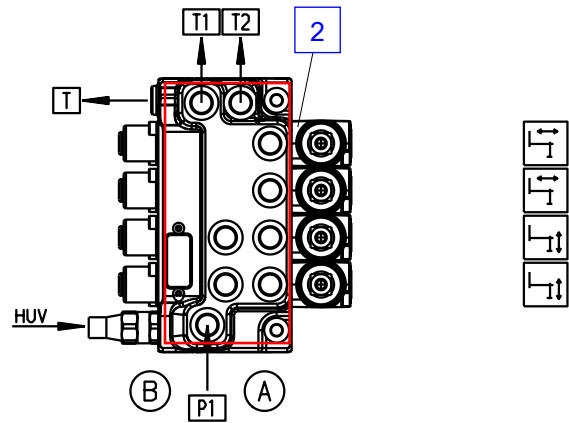
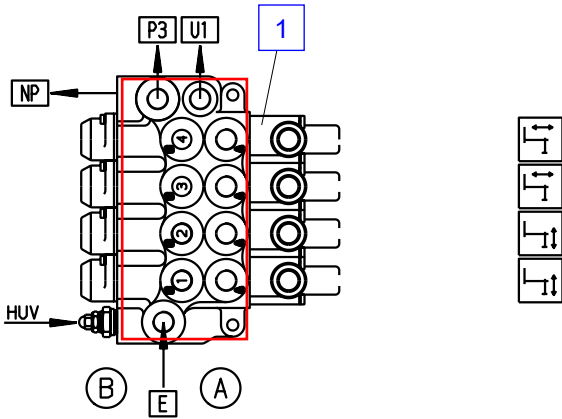
Control valve R2X,R3X

| No. | Spare part | Qty. | Description   | Dimension |
|-----|------------|------|---------------|-----------|
| 1   | EV4411     | 1    | Control valve | VDM07     |
| 2   | EV4411B    | 1    | Control valve | DN46      |



**R3X**  
 (RS 210,PVG 32)  
 VDM07  
 (-->100113275)

**R3X**  
 (RS 210,PVG 32)  
 DN46  
 (100113276-->)



| / EV-4411 |        |              |         |            |       |                               | EV-4411B / EV-5872B |         |              |         |            |       |                               |
|-----------|--------|--------------|---------|------------|-------|-------------------------------|---------------------|---------|--------------|---------|------------|-------|-------------------------------|
|           |        | Pressure/bar | Fitting | Restrictor | Lever | Element<br>Element<br>Element |                     |         | Pressure/bar | Fitting | Restrictor | Lever | Element<br>Element<br>Element |
| HUV       | EV-990 | 160          |         |            |       |                               | HUV                 | EV-6234 | 160          |         |            |       |                               |
| P         | E      |              | EA-769  |            |       |                               | P                   | P1      |              | EA-769  |            |       |                               |
|           | P3     |              | EA-746  |            |       |                               |                     | T1      |              | EA-442  |            |       |                               |
| T         | U1     |              | HLA-376 |            |       |                               | T                   | T2      |              | HLA-376 |            |       |                               |
|           | NP     |              | EA-746  |            |       |                               |                     | T       |              | EA-442  |            |       |                               |
| 1         | A      | ----         | EA-039  | -          |       |                               | 1                   | A       | ----         | EA-039  | -          |       |                               |
|           | B      | ----         | EA-039  | -          |       |                               |                     | B       | ----         | EA-039  | -          |       |                               |
| 2         | A      | ----         | EA-039  | -          |       |                               | 2                   | A       | ----         | EA-039  | -          |       |                               |
|           | B      | ----         | EA-039  | -          |       |                               |                     | B       | ----         | EA-039  | -          |       |                               |
| 3         | A      | ----         | EA-039  | -          |       |                               | 3                   | A       | ----         | EA-039  | -          |       |                               |
|           | B      | ----         | EA-039  | -          |       |                               |                     | B       | ----         | EA-039  | -          |       |                               |
| 4         | A      | ----         | EA-039  | -          |       |                               | 4                   | A       | ----         | EA-039  | -          |       |                               |
|           | B      | ----         | EA-039  | -          |       |                               |                     | B       | ----         | EA-039  | -          |       |                               |

Control valve

KSC = with adaptors and valves

HUV = Main relief valve

O = with overload protection

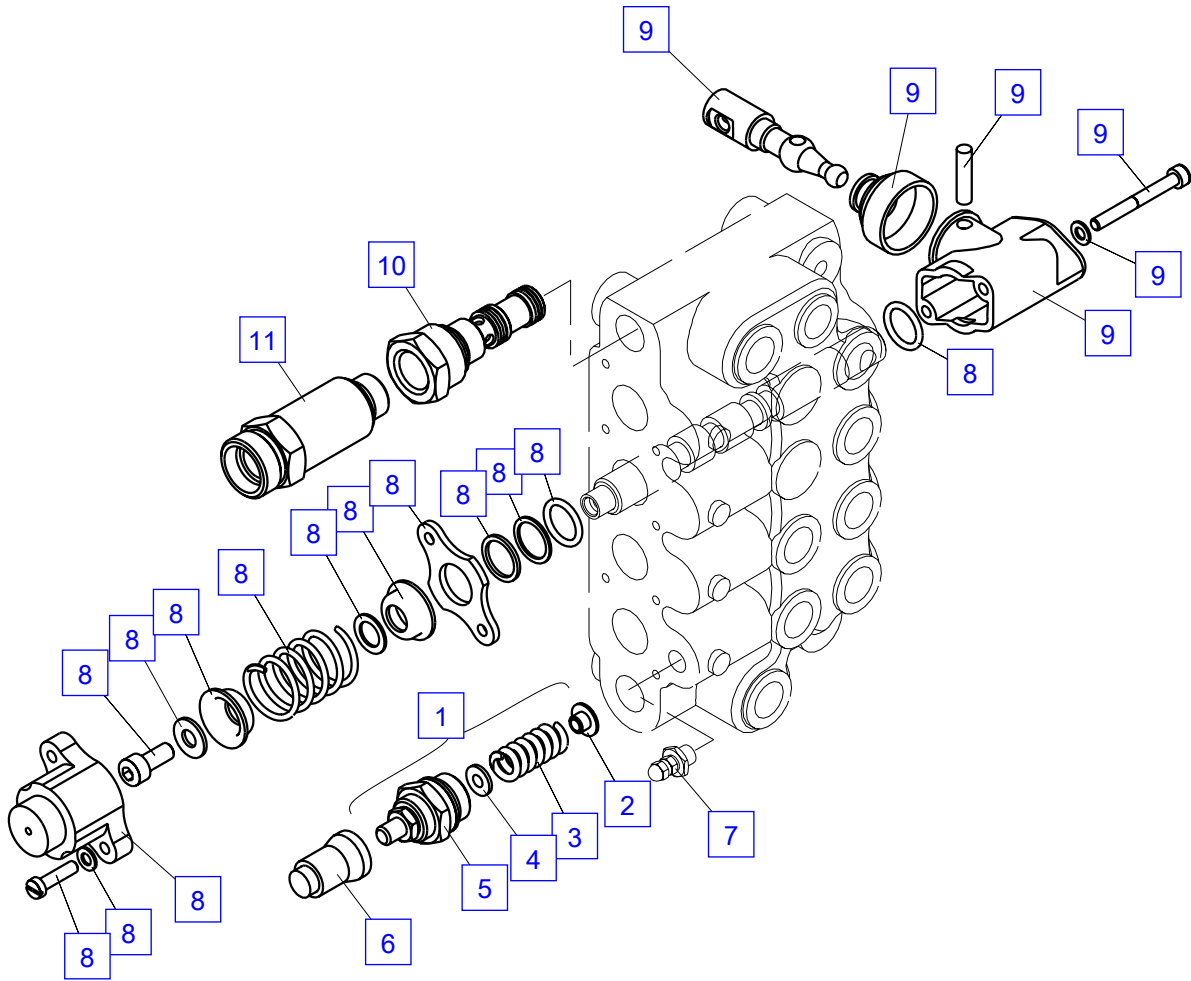
EV = KSC without adaptors and valves

P,T = Supply connections

x = open center - spool must be ordered separately

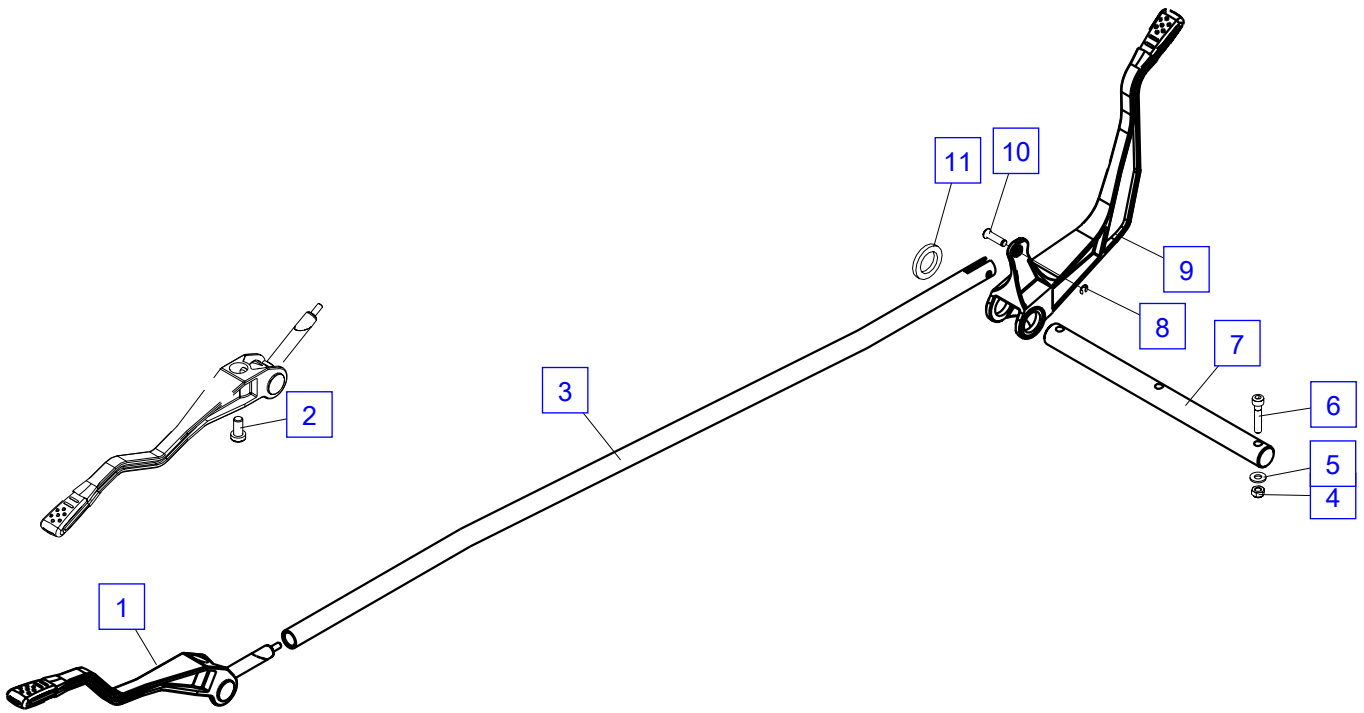
Control valve VDM07

| No. | Spare part | Qty. | Description                   | Dimension           |
|-----|------------|------|-------------------------------|---------------------|
| 1   | EV 990     | 1    | Main relief valve, cpl.       |                     |
| 2   | EK 279     | 1    | Bushing                       |                     |
| 3   | EF 077     | 1    | Pressure spring               |                     |
| 4   | EK 278     | 1    | Washer                        |                     |
| 5   | EV 989     | 1    | Valve housing                 |                     |
| 6   | EK 715A    | 1    | Sealing cap                   |                     |
| 7   | EV5719A    | 1    | Port relief valve             | 30-70 bar           |
|     | EK4283     | 1    | Cape, blue                    |                     |
| 7   | EV2154A    | 1    | Port relief valve             | 61-130 bar          |
|     | EK4283     | 1    | Cape, blue                    |                     |
| 8   | EZ2846     | 4    | Spring housing, cpl.          |                     |
| 9   | EZ2146     | 4    | Lever support, cpl.           |                     |
| 10  | EV1778     | 1    | High pressure carry over port | M 18x1,5 - M 18x1,5 |
| 11  | UV148A     | 1    | Check valve                   | M 18x1.5            |



## Control system

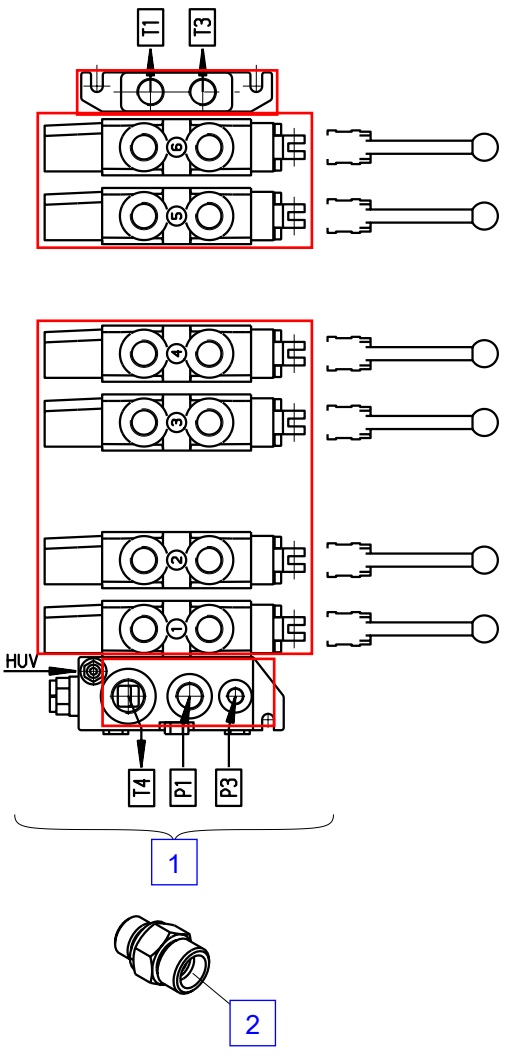
| No. | Spare part | Qty. | Description   | Dimension       |
|-----|------------|------|---------------|-----------------|
| 1   | HH 520     | 0    | Control lever |                 |
| 2   | ES 963     | 0    | Screw         | M 8x16 ISO7380  |
| 3   | HSV 205    | 0    | Control rod   |                 |
| 4   | EM 014     | 3    | Nut           | DIN 985-8 M 6   |
| 5   | EK 043     | 3    | Washer        | D 6.4 DIN 134   |
| 6   | ES 080     | 3    | Screw         | M 6x35 DIN 6912 |
| 7   | HI2735     | 1    | Control axle  |                 |
| 8   | EQ 116     | 0    | Safety washer | D4 DIN6799      |
| 9   | HH 513     | 0    | Control lever |                 |
| 10  | HI2603     | 0    | Pin           |                 |
| 11  | EK 379     | 0    | Washer        | D 21 DIN 1441   |



## Control valve (6-sections) FL,I

| No. | Spare part | Qty. | Description                         | Dimension       |
|-----|------------|------|-------------------------------------|-----------------|
| 1   | EV5749     | 1    | Control valve<br>see page 0211.0... | RS 210          |
| 2   | EA 074     | 2    | Fitting                             | GE 16S R1/2"-ED |
| 2   | EA 089     | 1    | Fitting                             | GE 08S R1/4"-ED |
| 2   | EA 240     | 1    | Fitting                             | GE 18 L R1/2"   |
| 2   | EA 243     | 1    | Fitting                             | GE 18 L R3/4"   |
| 2   | EA1646     | 0    | Fitting                             | GE 12K R1/2" ED |
|     | EA1645     | 1    | Circlip                             | WEO 1/2"        |

| / EV5749 |         |         |            |       |         |
|----------|---------|---------|------------|-------|---------|
|          | Valve   | Fitting | Restrictor | Lever | Element |
| HUV      | EV-5714 |         |            |       |         |
| P        | P1      | EA 074  |            |       |         |
|          | P3      | EA 089  |            |       |         |
| T        | T1      | EA 074  |            |       |         |
|          | T3      | EA 240  |            |       |         |
|          | T4      | EA 243  |            |       |         |



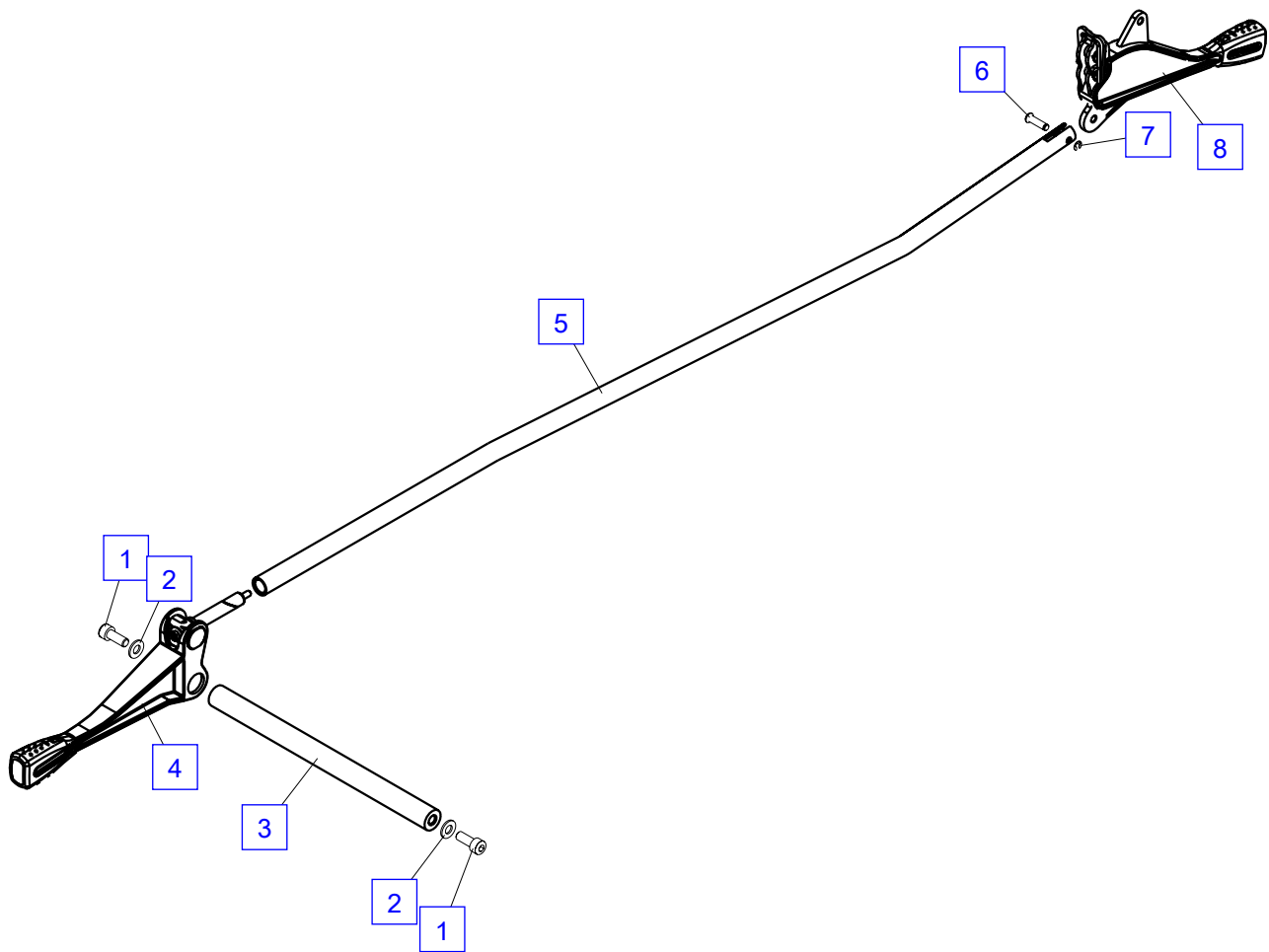
|   |   |        |        |        |        |        |
|---|---|--------|--------|--------|--------|--------|
| 6 | A | EV 049 | EA1646 | -      | HH 511 | EV5027 |
|   | B | EV 049 | EA1646 | -      |        |        |
| 5 | A | EV 049 | EA1646 | -      | HH 511 | EV5027 |
|   | B | EV 049 | EA1646 | -      |        |        |
| 4 | A | -----  | EA1646 | -      | HH 511 | EV5667 |
|   | B | -----  | EA1646 | -      |        |        |
| 3 | A | EV 044 | EA1646 | -      | HH 511 | EV5666 |
|   | B | EV 044 | EA1646 | -      |        |        |
| 2 | A | EV 044 | EA1646 | -      | HH 511 | EV5033 |
|   | B | EV 044 | EA1646 | -      |        |        |
| 1 | A | EV 043 | EA 590 | HD 376 | HH 515 | EV6166 |
|   | B | EV 043 | EA 590 | HD 376 |        |        |

**Control valve**  
 KSC = with adaptors and valves  
 EV = KSC without adaptors and valves  
 HUV = Main relief valve  
 P,T = Supply connections  
 O = with overload protection  
 x = open center - spool must be ordered separately

## Control system

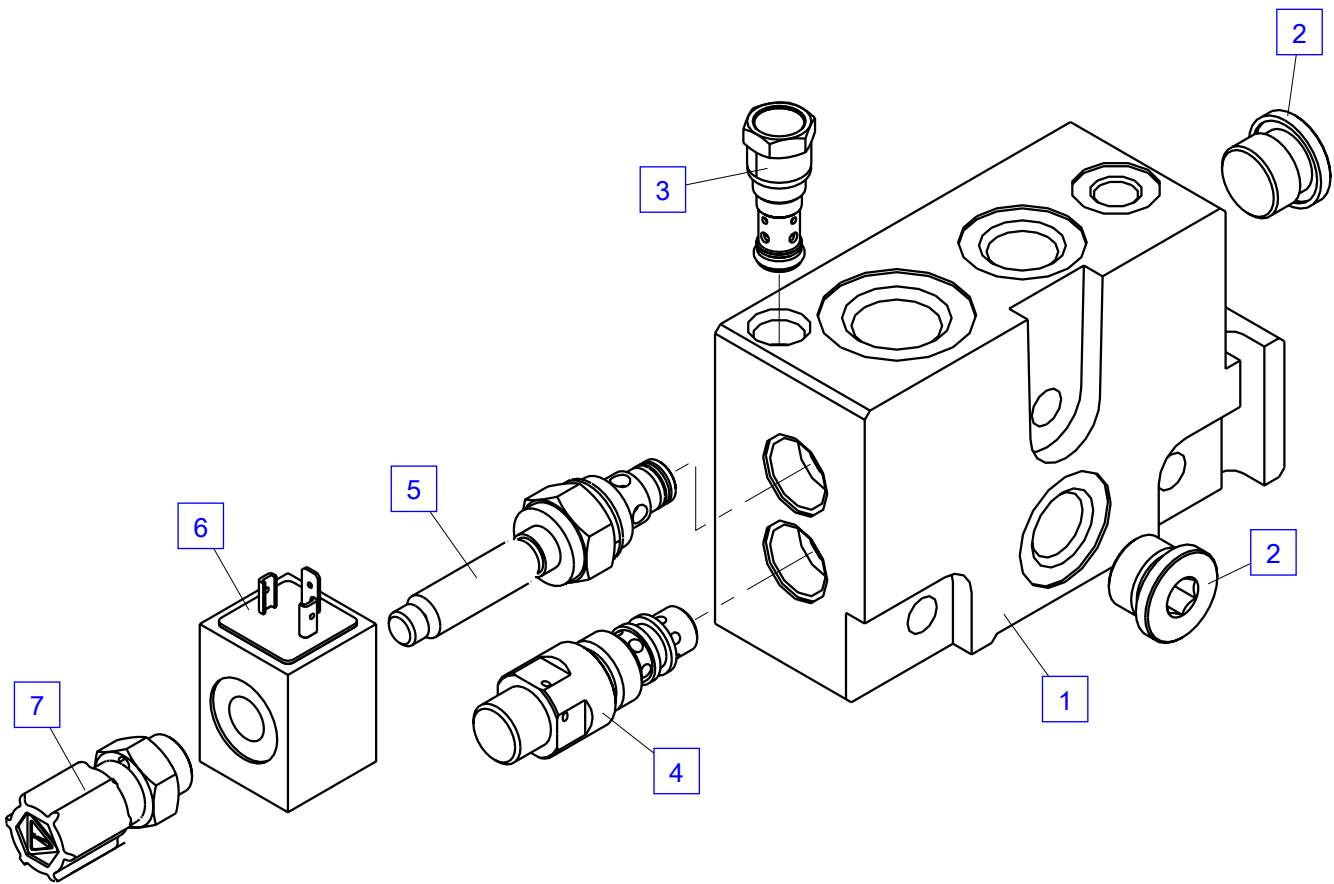
| No. | Spare part | Qty. | Description           | Dimension           |
|-----|------------|------|-----------------------|---------------------|
| 1   | ES 265     | 2    | Screw                 | M 8x20 ISO4762- 8.8 |
| 2   | EK 003     | 2    | Washer                | D 8.4 ISO7089       |
| 3   | HI 827     | 1    | Control axle          |                     |
| 4   | HH 507     | 1    | Control lever, blue   |                     |
| 4   | HH 509     | 0    | Control lever, yellow |                     |
| 5   | HSV 206    | 0    | Control rod           |                     |
| 6   | HI2603     | 0    | Pin                   |                     |
| 7   | EQ 116     | 0    | Safety washer         | D4 DIN6799          |
| 8   | HH 511     | 0    | Control lever, yellow |                     |
| 8   | HH 515     | 1    | Control lever, blue   |                     |





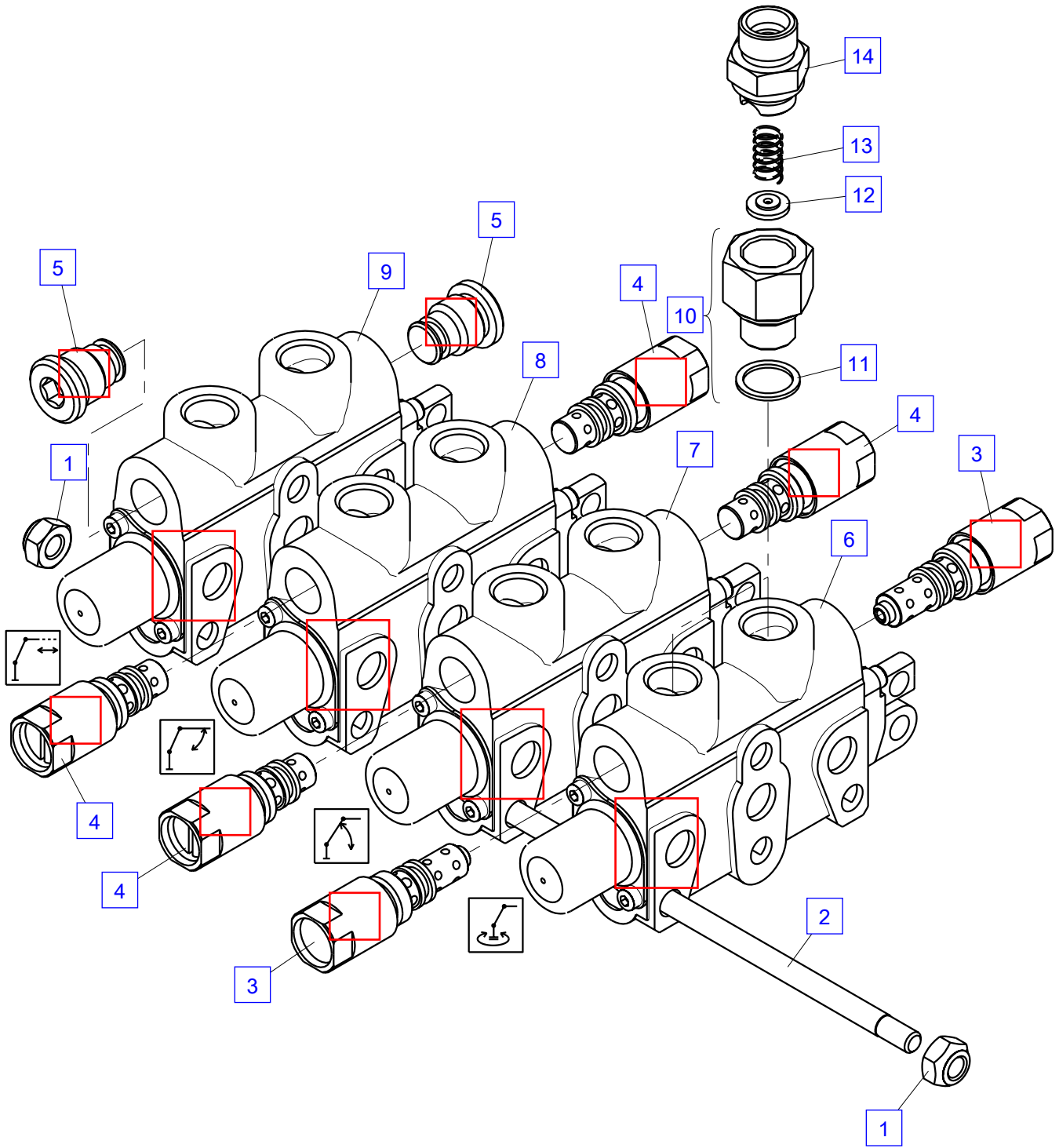
## Inlet element R2X,R3X

| No. | Spare part | Qty. | Description          | Dimension  |
|-----|------------|------|----------------------|------------|
| 1   | EV2085A    | 1    | Inlet element        |            |
|     | TD 636     | 1    | Seal kit             |            |
| 2   | EA 261     | 2    | Locking screw        | VSTI R1/2" |
| 3   | EV5714     | 1    | Main relief valve    | 35-350 bar |
|     | TD 955     | 1    | Seal kit             |            |
| 4   | EV2552     | 1    | Pressure compensator |            |
| 5   | EV4615     | 1    | Solenoid valve       |            |
|     | TD 239     | 1    | Seal kit             |            |
| 6   | EV4710     | 1    | Magnet coil d=13 mm  | 26V        |
| 7   | HLA1123    | 1    | Protecting cap       |            |



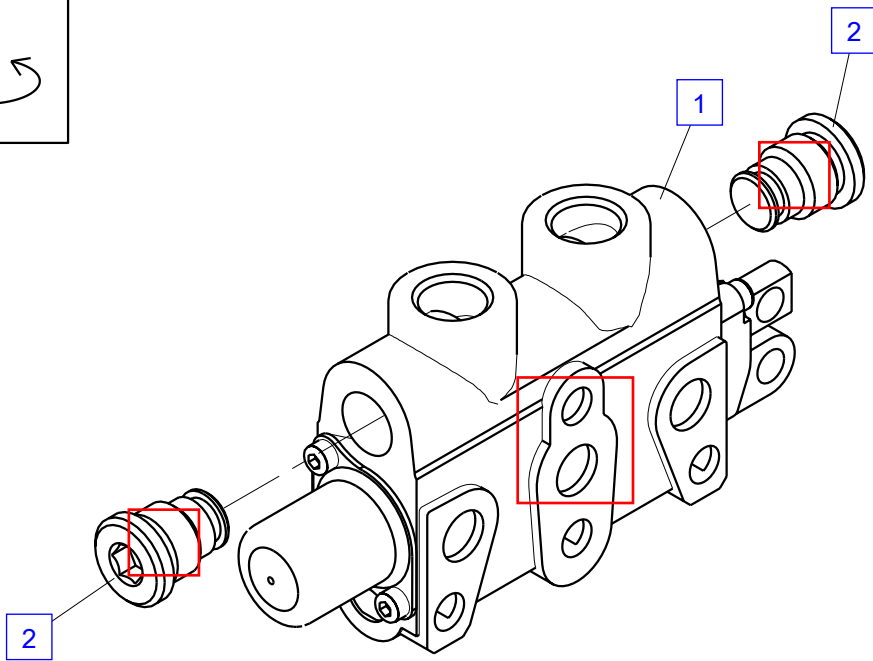
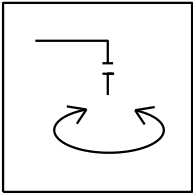
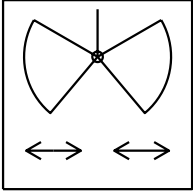
Separate element R2X,R3X

| No. | Spare part | Qty. | Description   | Dimension          |
|-----|------------|------|---|--------------------|
| 1   | EM 021     | 6    | Nut   | DIN 985 M10 CL8 ZB |
| 2   | ES 067     | 3    | Tension rod (6-elements)  |                    |
| 3   | EV 043/... | 2    | Relief pressure valve w/ anti cavitation valve<br>see page 0211.04002-A | ... bar            |
| 4   | EV 044/... | 4    | Pressure relief valve<br>see page 0211.04002-A                          | ... bar            |
| 5   | EV 049     | 2    | Blind plug<br>see page 0211.04002-A                                     |                    |
| 6   | EV6166     | 1    | Control valve<br>see page 0211.04001-A                                  | 125ZH              |
|     | EV6163     | 1    | Spool   | 125ZH              |
| 7   | EV5033     | 1    | Control valve<br>see page 0211.04001-A<br>without overload protection   | 124XAH             |
|     | EV5011     | 1    | Control spool   | 124XAH             |
| 8   | EV5666     | 1    | Control valve<br>see page 0211.04001-A                                  | 125ADH             |
|     | EV5646     | 1    | Control spool   | 125ADH             |
| 9   | EV5667     | 1    | Control valve<br>see page 0211.04001-A                                  | 125ZAH             |
|     | EV5647     | 1    | Control spool   | 125ZAH             |
| 10  | HLA 372    | 2    | Fitting   |                    |
| 11  | ED 170     | 2    | Seal ring   | R 1/2"             |
| 12  | HD 073     | 2    | Restrictor  | D 2.0 mm           |
| 13  | EF 008     | 2    | Spring  | D 11x0.8x22        |
| 14  | EA 590     | 2    | Fitting   | GE 12 SR 1/2"ED    |



Separate element

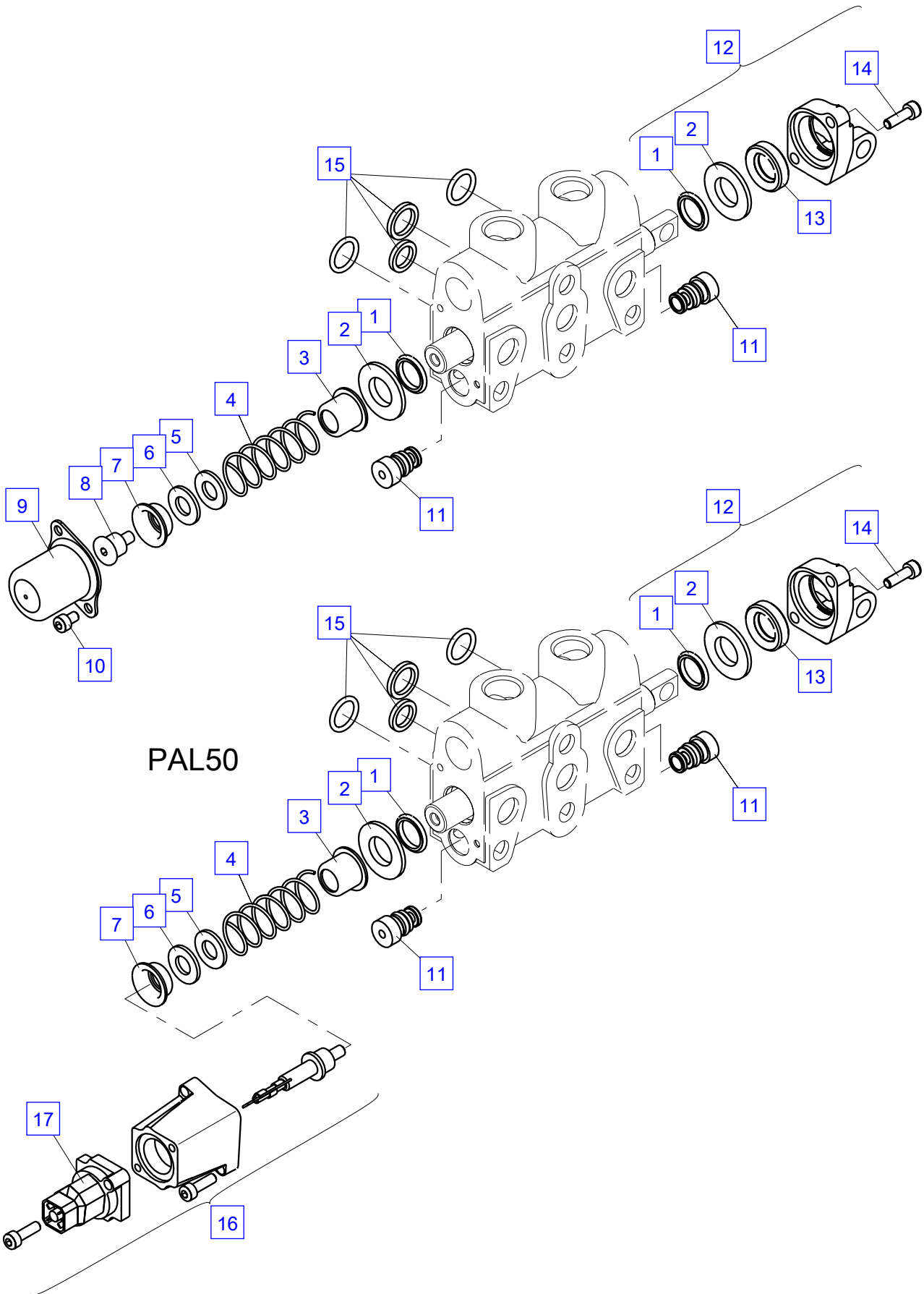
| No. | Spare part | Qty. | Description                              | Dimension |
|-----|------------|------|--|-----------|
| 1   | EV5027     | 1    | Housing central<br>see page 0211.04001-A | 1KH       |
|     | EV5015     | 1    | Spool                                    | 1KH       |
| 2   | EV 049     | 2    | Blind plug<br>see page 0211.04002-A      |           |



Control valve - details

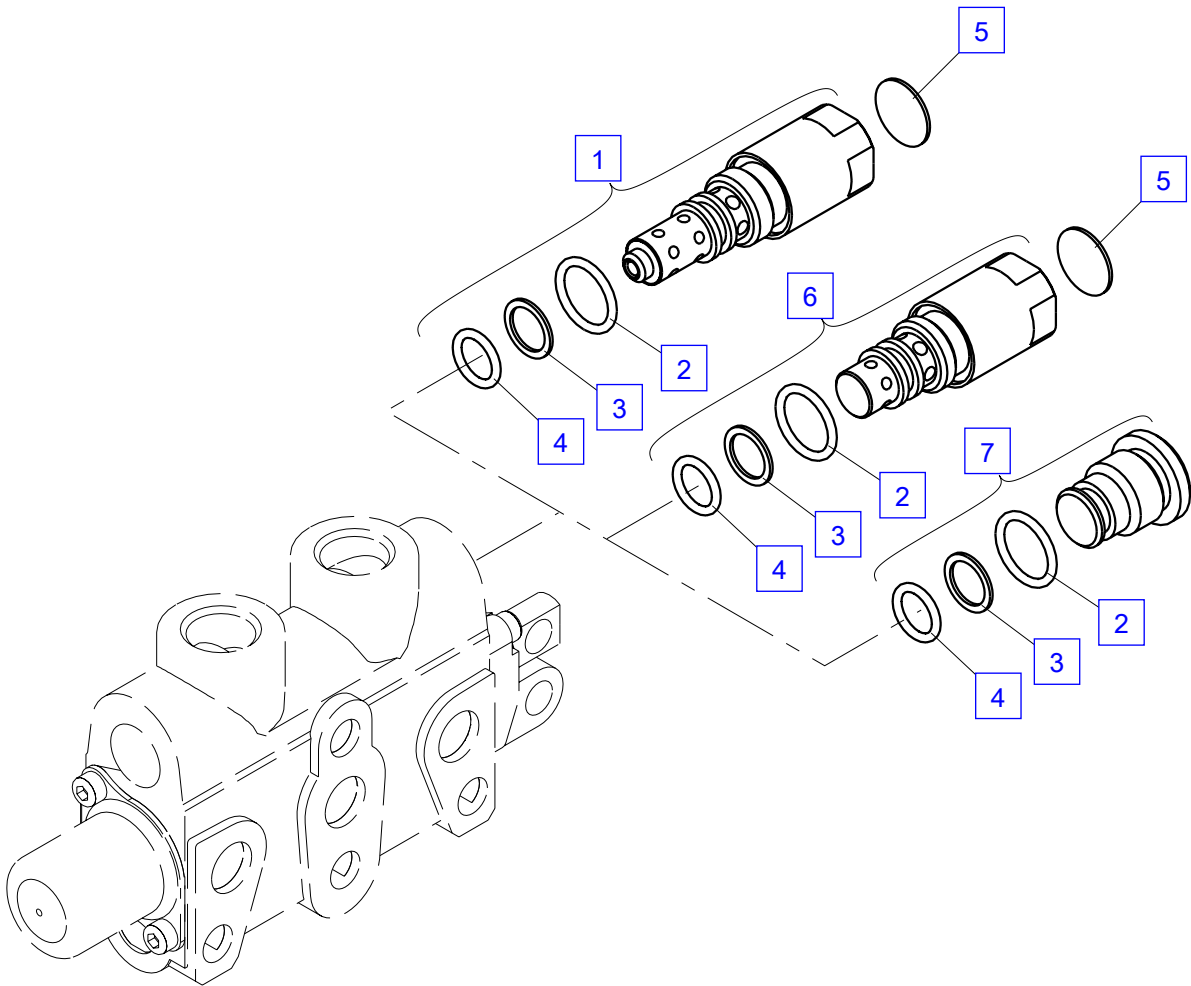
| No. | Spare part | Qty. | Description              | Dimension                 |
|-----|------------|------|--------------------------|---------------------------|
| 1   | ED 076     | 2    | O-ring with back up ring |                           |
| 2   | EK 120     | 2    | Washer                   |                           |
| 3   | EK 122     | 1    | Spring cap               |                           |
| 4   | EF 036     | 1    | Pressure spring          |                           |
| 5   | EK 724     | 1    | Washer (slewing)         | s=0.5 mm                  |
| 6   | EK 746     | 1    | Washer (slewing)         | s=0.3 mm                  |
| 7   | EK 121     | 1    | Spring cap               |                           |
| 8   | ES 176     | 1    | Screw                    | NORDHYDRAULIK NR. 2646971 |
| 9   | EV 982     | 1    | Spring cap               |                           |
| 10  | ES 497     | 2    | Screw                    | M 5x6 DIN 912             |
| 11  | EV 164     | 2    | Check valve              |                           |
| 12  | EV4462     | 1    | Lever bearing (+13)      |                           |
| 13  | ER 009     | 1    | Seal ring                |                           |
| 14  | ES 172     | 2    | Screw                    | M 5x16 DIN 912            |
| 15  | TD 050     | 1    | Seal kit                 |                           |
| 16  | EV3614     | 1    | Spool position control   |                           |
| 17  | EV5090     | 1    | Spool position control   |                           |





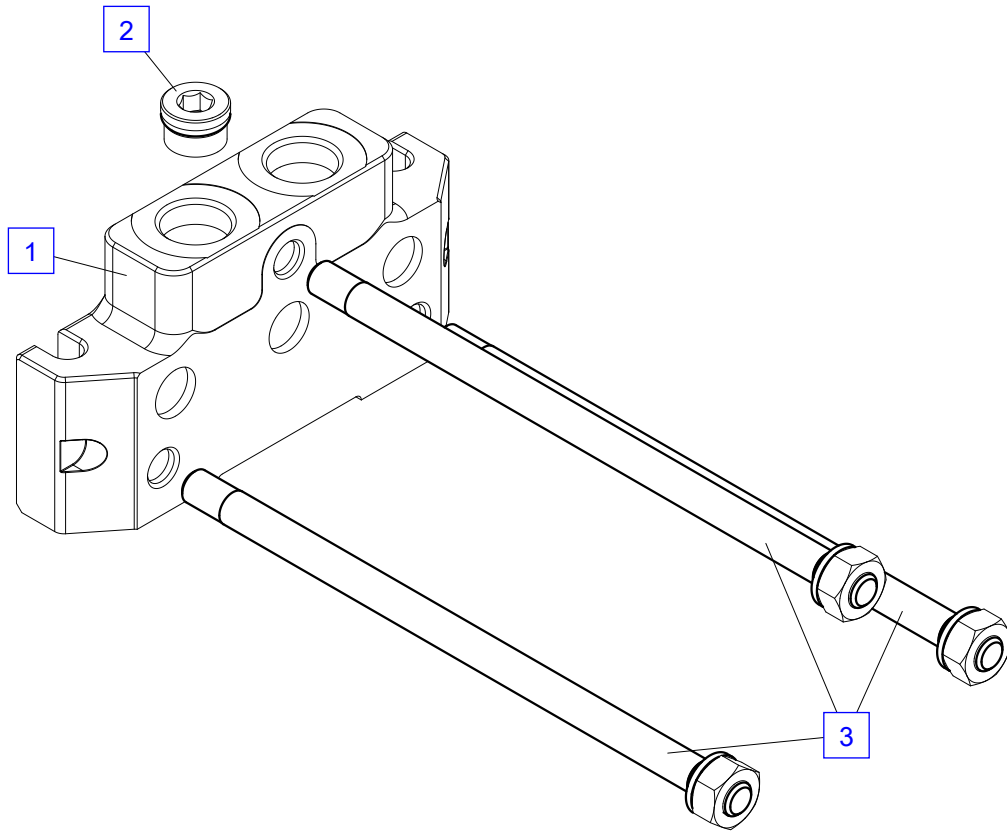
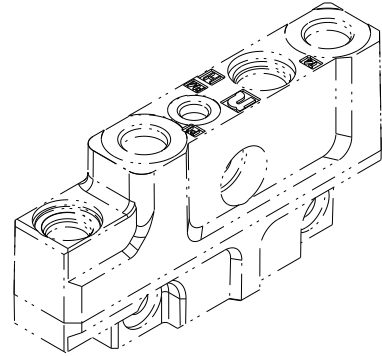
## Seal kit

| No. | Spare part | Qty. | Description                                    | Dimension  |
|-----|------------|------|--|------------|
| 1   | EV 043/... | 0    | Relief pressure valve w/ anti cavitation valve | ... bar    |
| 2   | EO 025     | 0    | O-ring   | D 17,3x2,4 |
| 3   | ED 055     | 0    | Back up ring                                   |            |
| 4   | EO 026     | 0    | O-ring   | D 12,3x2,4 |
| 5   | EB 925     | 0    | Lead seal                                      |            |
| 6   | EV 044/... | 0    | Pressure relief valve                          | ... bar    |
| 7   | EV 049     | 0    | Blind plug                                     |            |



## End element

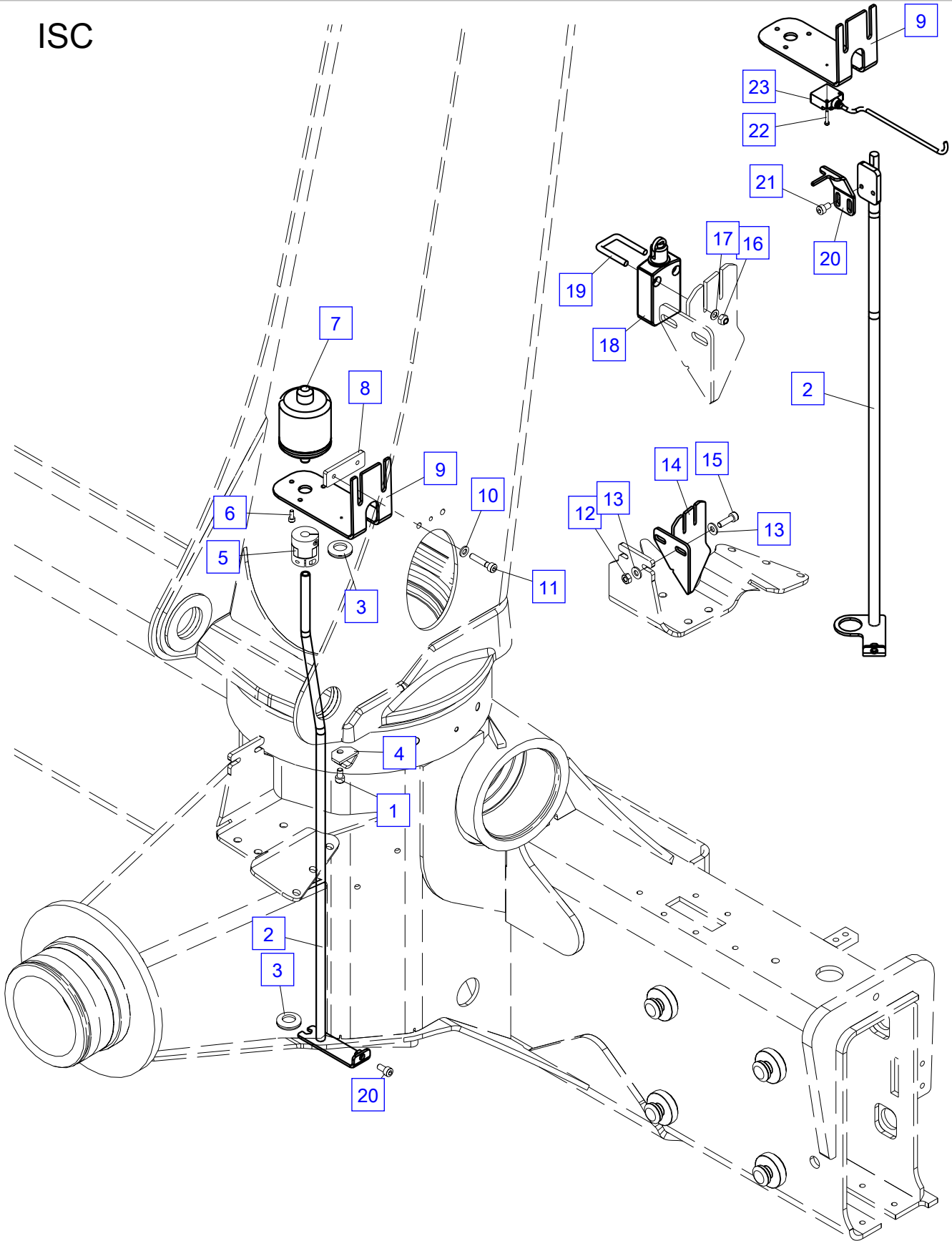
| No. | Spare part | Qty. | Description                    | Dimension |
|-----|------------|------|--------------------------------|-----------|
| 1   | EV 472     | 1    | End cover                      |           |
| 2   | EV 784     | 1    | High pressure carry over port  |           |
| 3   | ES 182     | 1    | Anchor bolt, cpl. (6-elements) |           |



Encoder

| No. | Spare part | Qty. | Description             | Dimension              |
|-----|------------|------|-------------------------|------------------------|
| 1   | ES 414     | 1    | Screw                   | M6x10 ISO4762 - 8.8    |
| 2   | HXE2981    | 1    | Carrier                 |                        |
| 3   | EEA4680    | 2    | Rubber grummet          |                        |
| 4   | HXE2905    | 1    | Stop buffer             |                        |
| 5   | EK1147     | 1    | Coupling                |                        |
| 6   | ES 852     | 3    | Screw                   | ISO4762 M 4 x 10       |
| 7   | EEA4294A   | 1    | Encoder                 |                        |
| 8   | HT8950     | 1    | Fastening plate         | L0060.0xB0020xS005     |
| 9   | HA8929     | 1    | Bearer                  | L0214.6xB0060xS003     |
| 10  | EK 190     | 2    | Washer                  | DIN134-06-ST           |
| 11  | ES 087     | 2    | Screw                   | M 6x30 - 8.8 - ISO4762 |
| 12  | EM 004     | 2    | Nut                     | DIN 934 M6 CL8 ZB      |
| 13  | EK 043     | 4    | Washer                  | D 6.4 DIN 134          |
| 14  | HA6550     | 1    | Bearer                  |                        |
| 15  | ES 175     | 2    | Screw                   | M 6x16 ISO4762- 8.8    |
| 16  | EM 154     | 2    | Nut                     | DIN 985 M4 CL8 ZB      |
| 17  | EK 124     | 2    | Washer                  | ISO7092 - A2 -140HV    |
| 18  | EEA3942    | 1    | Limit switch            |                        |
| 18  | EEA3943    | 1    | Roller tappet           |                        |
| 19  | HIG 459    | 1    | Mounting bracket        |                        |
| 20  | HA12004    | 1    | Stop buffer             |                        |
| 21  | ES 414     | 2    | Screw                   | M6x10 ISO4762 - 8.8    |
| 22  | ES 412     | 2    | Screw                   | M 3x16 DIN 84          |
| 23  | EEA10020   | 1    | Inductive switch Opener | 4 m                    |

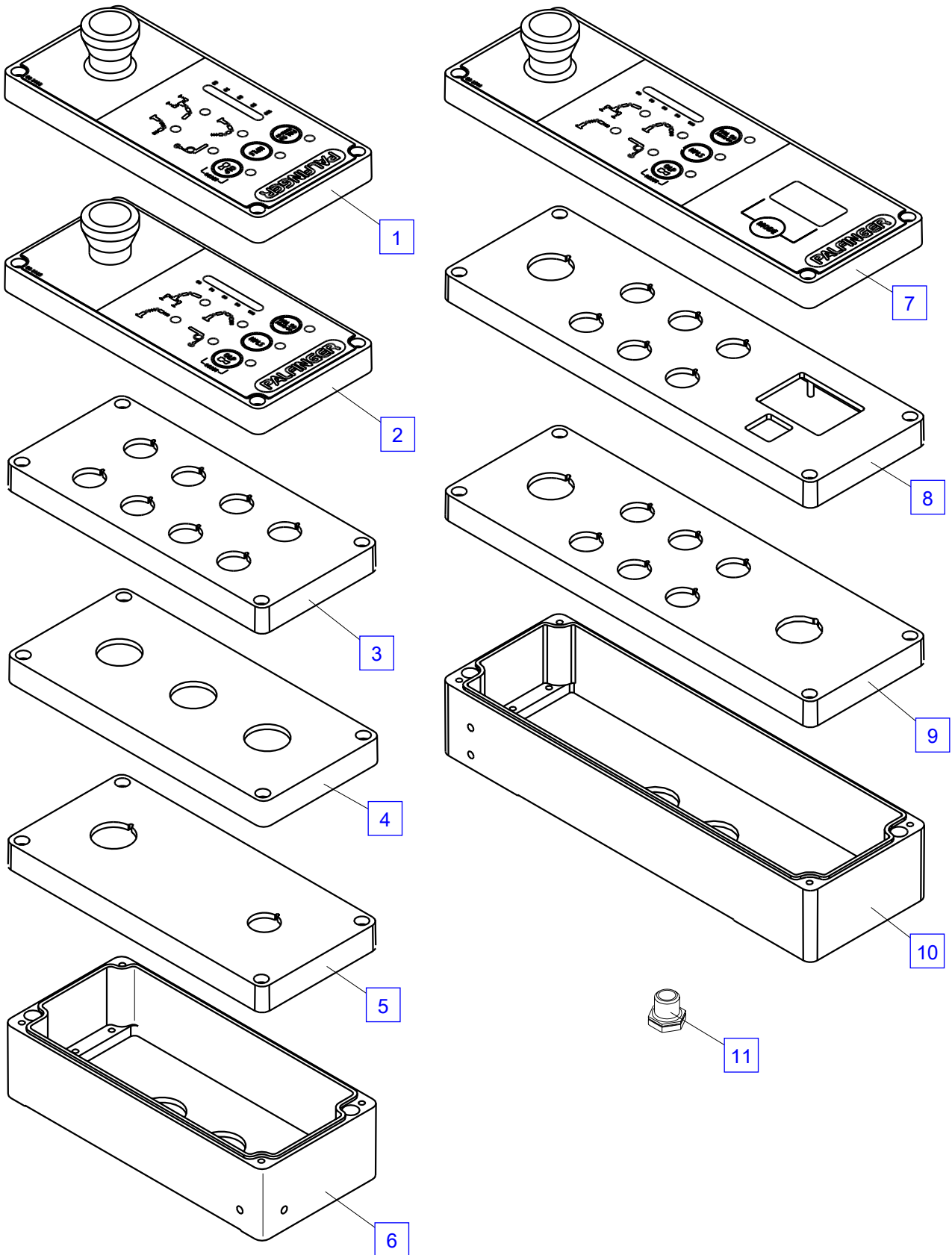
ISC



Housing PT050

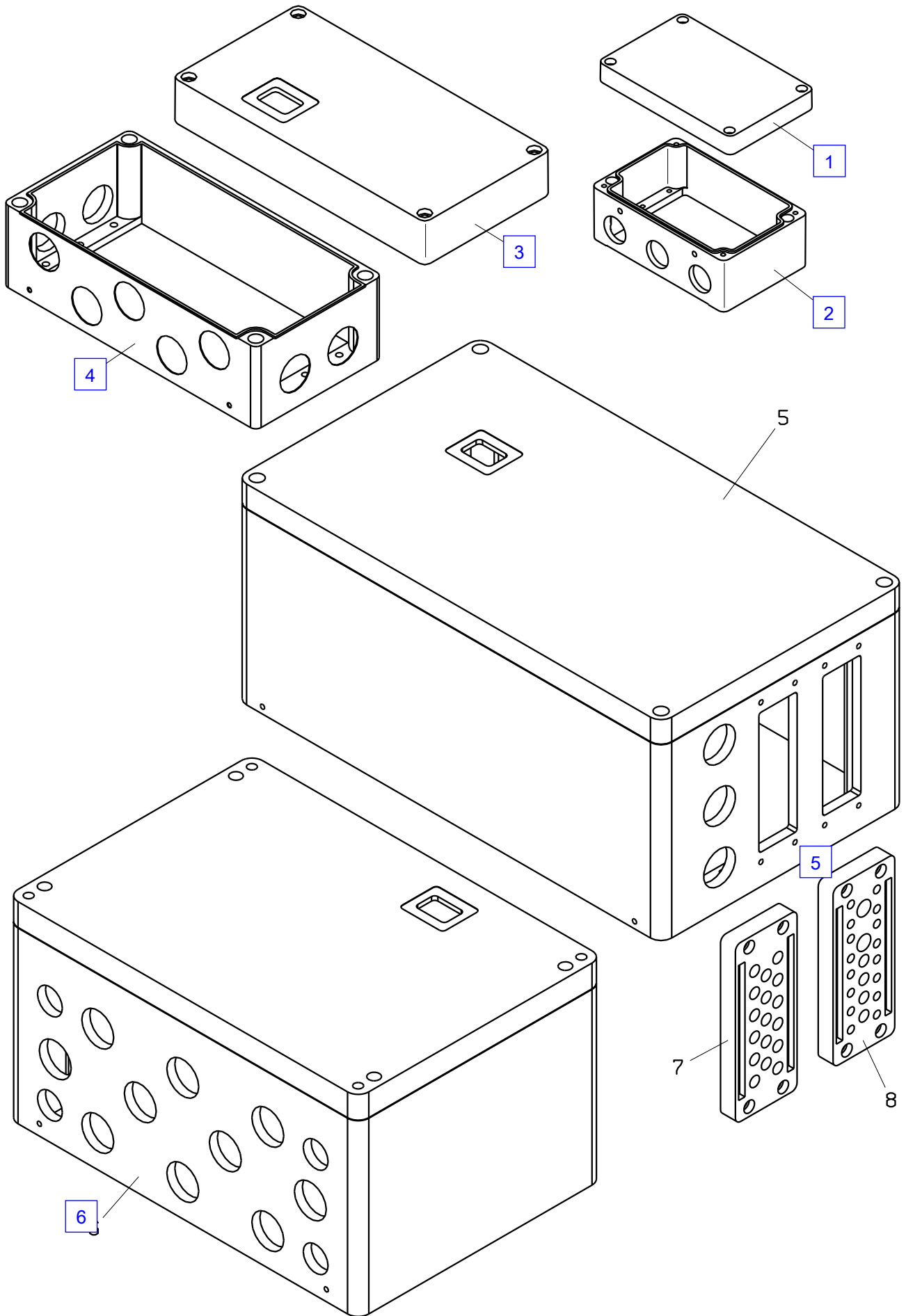
| No. | Spare part | Qty. | Description                               | Dimension   |
|-----|------------|------|---|-------------|
| 1   | EEA5062    | 1    | Terminal PT050                            |             |
| 2   | EEA5061    | 1    | Terminal PT050                            |             |
| 3   | EEA 292    | 1    | Cover                                     | 175x80x15   |
| 4   | EEA2892    | 1    | Cover                                     | 175x80x15   |
| 5   | EEA 391    | 1    | Cover                                     | 175x80x15   |
| 6   | EEA3689    | 1    | Base<br>(Aluminium)                       | 175x80x43.5 |
| 6   | EEA3691    | 1    | Base (PVC)<br>(Plastic)                   | 175x80x43.5 |
| 6   | EEA6391    | 1    | Base for breather membrane<br>(Aluminium) | 175x80x43.5 |
| 7   | EEA5043B   | 1    | Terminal PT050                            |             |
|     | EEA6077    | 1    | Emergency cut-off button                  |             |
|     | EEA11523   | 1    | Cover + Symbol sign EB2516                |             |
|     | ES3628     | 4    | Screw                                     | M 4x45      |
| 8   | EEA 441    | 1    | Cover                                     | 250x80x15   |
| 9   | EEA 439    | 1    | Cover                                     | 250x80x15   |
| 10  | EEA 269    | 1    | Base                                      | 250x80x43.5 |
| 10  | EEA6392    | 1    | Base for breather membrane<br>(Aluminium) | 250x80x43.5 |
| 11  | EEA3909    | 1    | Breather valve                            | M 12x1.5    |
| 11  | EEA6395    | 1    | Ventilation membrane                      | M 12x1.5    |





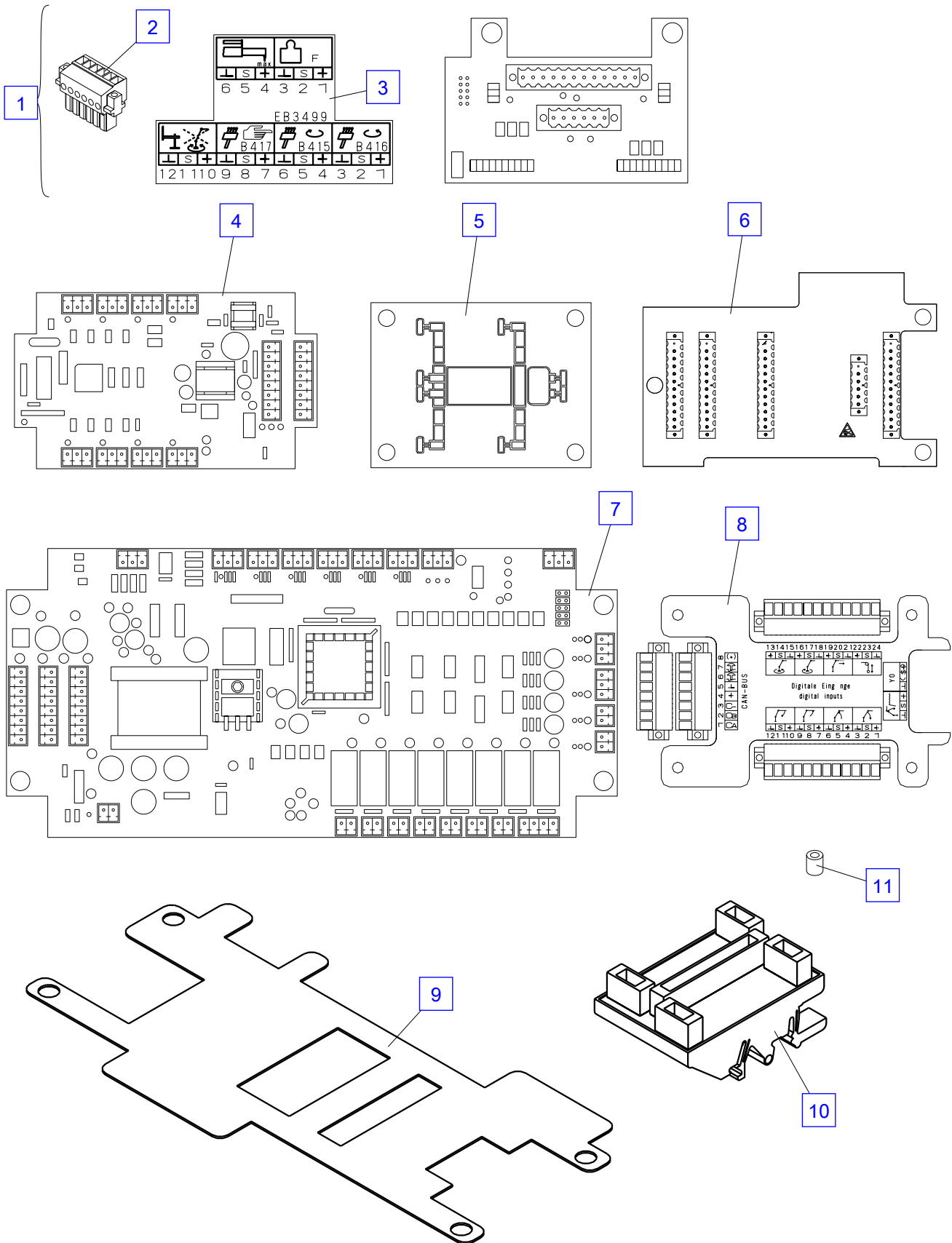
## Housing PT050

| No. | Spare part | Qty. | Description                           | Dimension      |
|-----|------------|------|---------------------------------------|----------------|
| 1   | EEA1716    | 1    | Valve casing, cpl.                    |                |
| 2   | EEA2705    | 1    | Base                                  |                |
| 3   | EEA5755    | 1    | Basic element                         | Version 4.4    |
|     | ES3569     | 4    | Screw                                 | M 6x35 ISO4762 |
|     | ES3567     | 4    | Screw                                 | M 6x25 ISO4762 |
|     | ES3568     | 4    | Screw                                 | M 6x30 ISO4762 |
| 4   | EEA4980    | 1    | Base                                  | 238x119x68.5   |
| 5   | EEA9870    | 1    | Housing                               | 400x230x180    |
|     | ES3569     | 4    | Screw                                 | M 6x35 ISO4762 |
|     | ES3567     | 4    | Screw                                 | M 6x25 ISO4762 |
|     | ES3568     | 4    | Screw                                 | M 6x30 ISO4762 |
| 6   | EEA4244    | 1    | Connection box 4xM 25x1.5+10xM 32x1.5 | 330x230x180 mm |
|     | ES3569     | 4    | Screw                                 | M 6x35 ISO4762 |
|     | ES3567     | 4    | Screw                                 | M 6x25 ISO4762 |
|     | ES3568     | 4    | Screw                                 | M 6x30 ISO4762 |



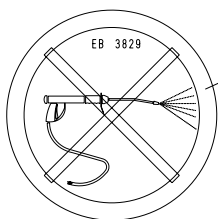
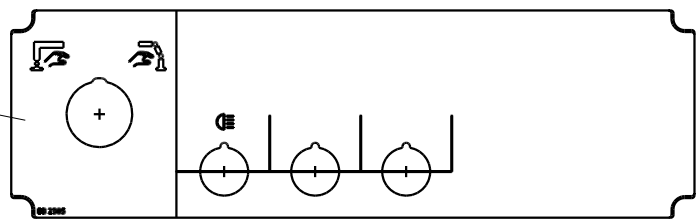
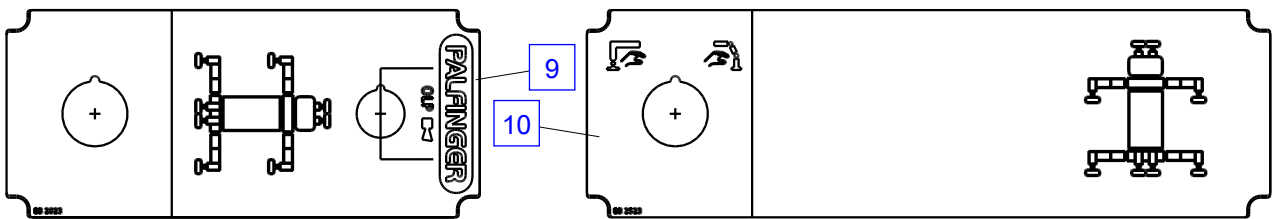
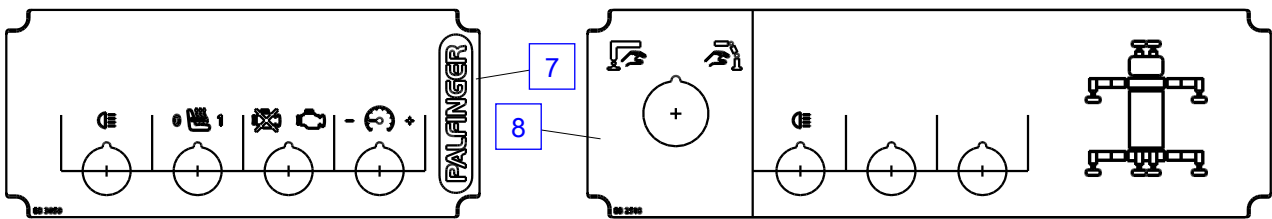
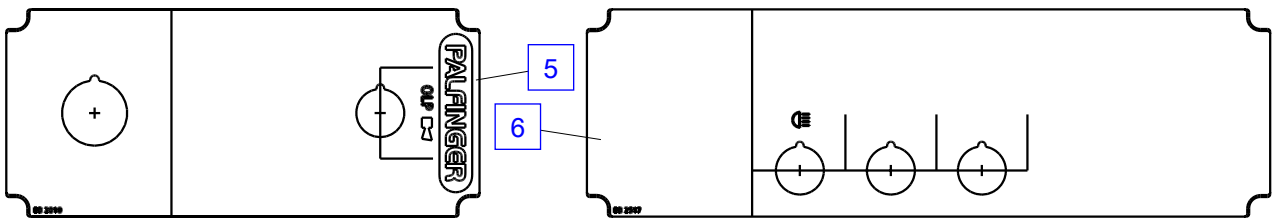
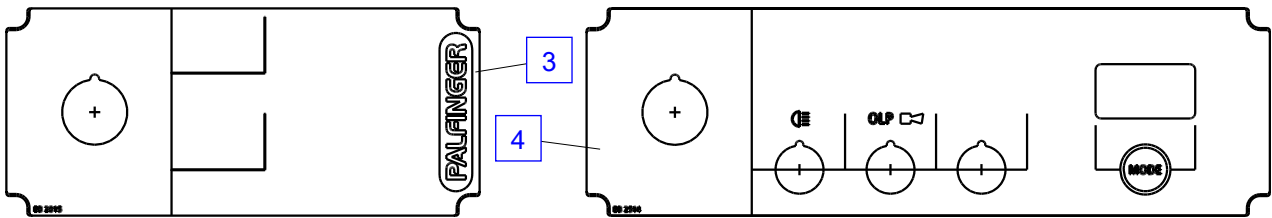
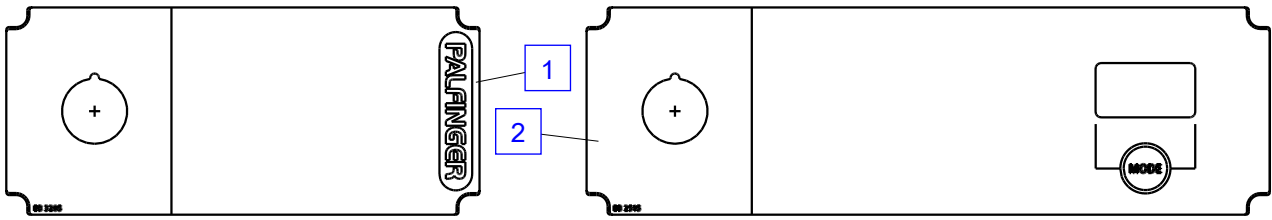
## PT050Attachment board

| No. | Spare part | Qty. | Description              | Dimension        |
|-----|------------|------|--------------------------|------------------|
| 1   | EEA2937    | 1    | Attachment board         | 12/24V           |
| 2   | EEA3087    | 1    | Wire plug (6-sections)   | Typ BL           |
| 3   | EB3499     | 1    | Symbol sign              |                  |
| 4   | EEA1930B   | 1    | Drawer electronics, cpl. | PAL 50           |
|     | EEA12797   | 1    | Spool position board     |                  |
|     | EEA12797B  | 1    | Spool position board     |                  |
| 5   | EEA4658    | 1    | Indicator module         |                  |
| 6   | EEA5342    | 1    | Attachment board         |                  |
| 7   | EEA9794    | 1    | Main board               | SW > 4.6         |
| 7   | EEA6195    | 1    | Main board               | SW < 4.6         |
| 8   | BD380      | 1    | Spool position board     |                  |
| 9   | HT10800    | 1    | Cover plate              |                  |
| 10  | EEA4657    | 1    | Support control ISC      |                  |
| 11  | EEA5348    | 4    | Spacer                   | l=7 mm d=6 mm M3 |

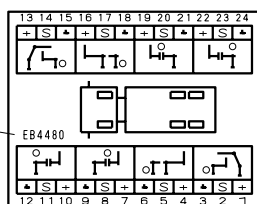


## Decals PT050

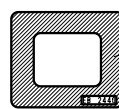
| No. | Spare part | Qty. | Description                | Dimension |
|-----|------------|------|----------------------------|-----------|
| 1   | EB3205     | 1    | Symbol sign                |           |
| 2   | EEA11524   | 1    | Cover + Symbol sign EB2515 |           |
| 3   | EB2815     | 1    | Symbol sign                |           |
| 4   | EEA12422   | 1    | Cover + Symbol sign EB2514 |           |
| 5   | EB2810     | 1    | Symbol sign                |           |
| 6   | EB2517     | 1    | Symbol sign                |           |
| 7   | EB3059     | 1    | Symbol sign                |           |
| 8   | EEA12479   | 1    | Cover + Symbol sign EB2518 |           |
| 9   | EEA12480   | 1    | Cover + Symbol sign EB2823 |           |
| 10  | EB2523     | 1    | Symbol sign                |           |
| 11  | EB2305     | 1    | Symbol sign                |           |
| 12  | EB12008    | 1    | Sign                       | 45x45 mm  |
| 13  | EB4480     | 1    | Symbol sign                |           |
| 14  | EB2440     | 1    | Decal                      |           |
| 15  | EB3902     | 1    | Symbol sign                |           |
| 16  | EB4492     | 1    | Decal                      | 80x80 mm  |



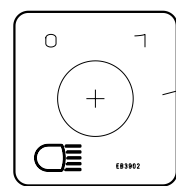
12



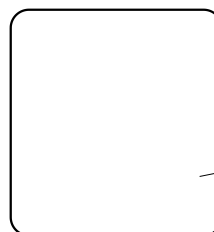
13



14



15

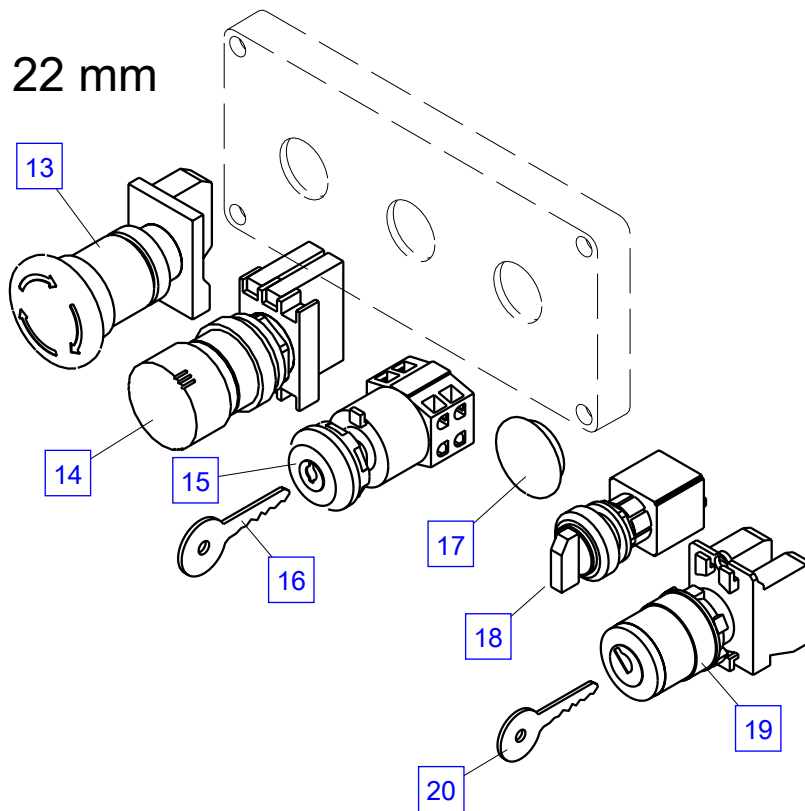
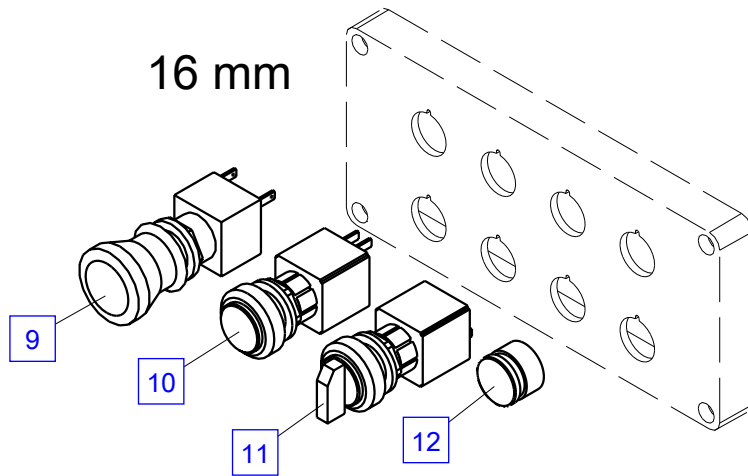
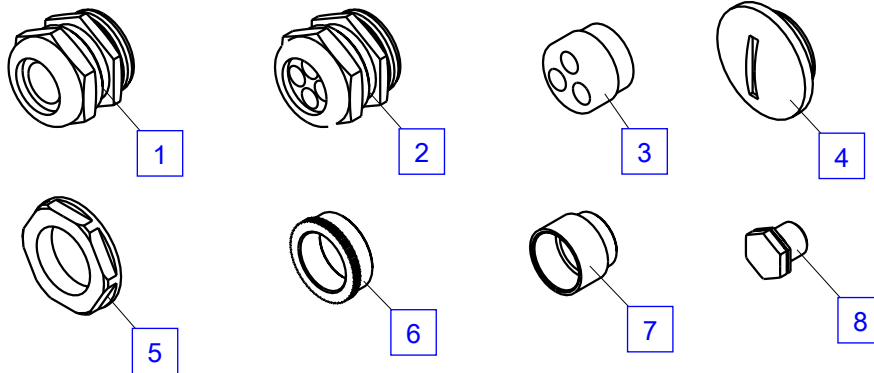


16

Adaptor, switch

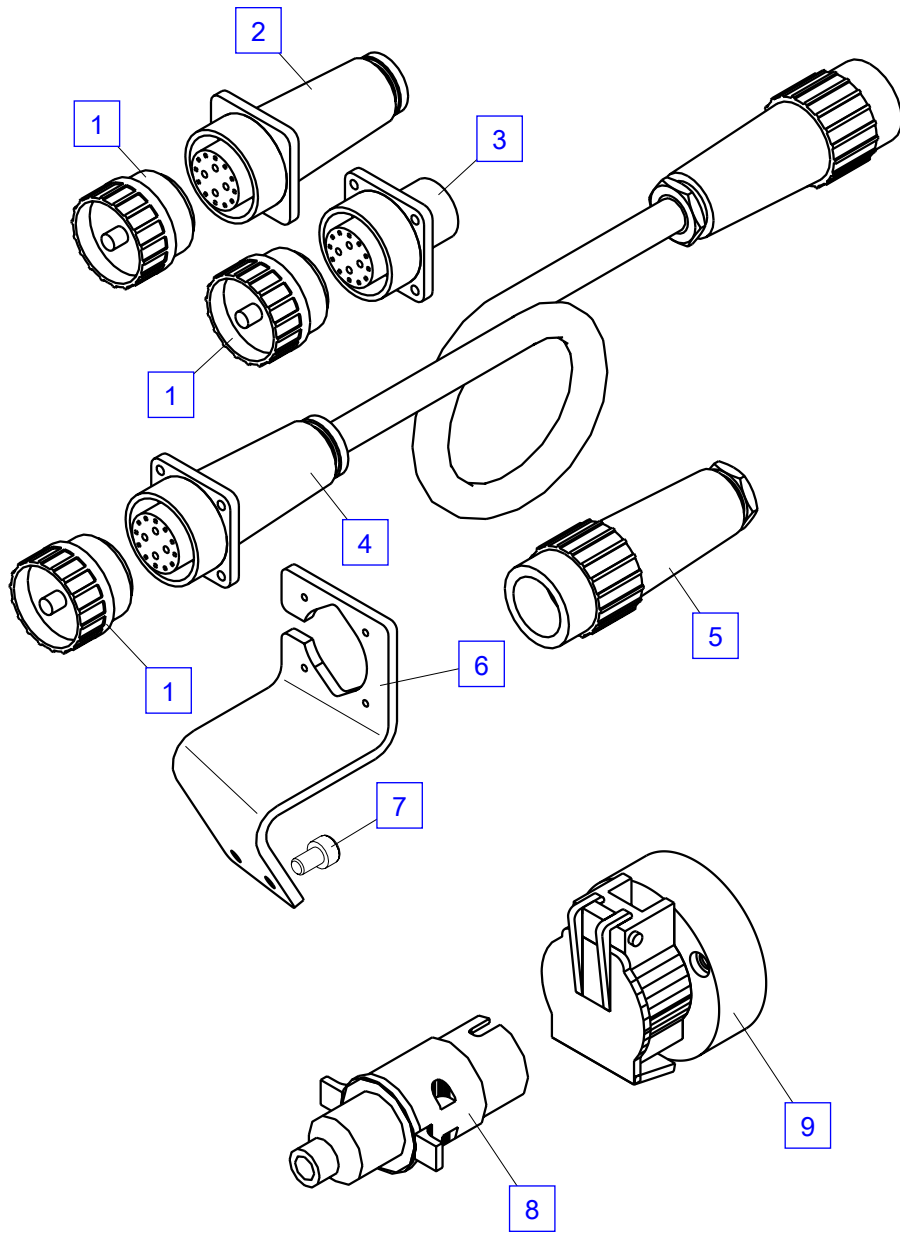
| No. | Spare part | Qty. | Description  | Dimension             |
|-----|------------|------|--|-----------------------|
| 1   | EEA3703    | 1    | Fitting  | M 25x1.5 (1x7-17 mm)  |
| 1   | EEA3704    | 1    | Fitting  | M 32x1.5 (1x13-21 mm) |
| 1   | EEA3705    | 1    | Fitting  | M20x1.5 (1x4-13 mm)   |
| 1   | EEA 509    | 1    | Fitting  | PG 11                 |
| 2   | EEA3706    | 1    | Fitting  | M 32x1.5 (4x5-7 mm)   |
| 2   | EEA3707    | 1    | Fitting  | M 32x1.5 (2x8-10 mm)  |
| 2   | EEA3708    | 1    | Fitting  | M 25x1.5 (4x4-6 mm)   |
| 2   | EEA3709    | 1    | Fitting  | M 25x1.5 (3x5-7 mm)   |
| 2   | EEA4444    | 1    | Fitting  | M 32x1.5 (6x4-6 mm)   |
| 2   | EEA4987    | 1    | Cartridge  | M 32x1.5 (8x3-5 mm)   |
| 2   | EEA6380    | 1    | Fitting  | M 40x1.5 (6x5-7 mm)   |
| 3   | EEA3710    | 1    | Cartridge  | M 32x1.5 (3x6-8 mm)   |
| 4   | EEA3711    | 1    | Blind plug   | M 25x1.5              |
| 4   | EEA3712    | 1    | Blind plug   | M 32x1.5              |
| 4   | EEA3727    | 1    | Blind plug   | M 20x1.5              |
| 5   | EEA3713    | 1    | Counter nut  | M 25x1.5              |
| 5   | EEA3714    | 1    | Counter nut  | M20x1.5               |
| 5   | EEA3725    | 1    | Counter nut  | M 32x1.5              |
| 6   | EEA3715    | 1    | Reduction  | M 32x1.5 - M 25x1.5   |
| 6   | EEA3726    | 1    | Reduction  | M 25x1.5 - M 20x1.5   |
| 6   | EEA4726    | 1    | Reduction  | M 32 - M 25x1.5       |
| 7   | EEA3716    | 1    | Extension  | M 25x1.5 - M 32x1.5   |
| 7   | EEA3728    | 1    | Extension  | M 20x1.5 - M 25x1.5   |
| 8   | EEA3909    | 1    | Breather valve                                     | M 12x1.5              |
| 8   | EEA6395    | 1    | Ventilation membrane                               | M 12x1.5              |
| 9   | EEA6077    | 1    | Emergency cut-off button                           |                       |
| 10  | EEA5767    | 1    | Push button, green<br>Closer                       |                       |
| 10  | EEA9834    | 1    | Push button, green<br>Opener - Closer              |                       |
| 10  | EEA5766    | 1    | Alarm lamp, green                                  |                       |
| 10  | EEA9813    | 1    | Alarm lamp, red                                    |                       |
| 11  | EEA5768    | 1    | Switch (2-positions)<br>Closer                     |                       |
| 11  | EEA6325    | 1    | Switch (2-positions)<br>Opener                     |                       |
| 11  | EEA5769    | 1    | Switch (3-positions)<br>(spring - detent - spring) |                       |
| 11  | EEA6429    | 1    | Switch (3-positions)<br>(detent - detent - detent) |                       |
| 12  | EEA5765    | 1    | Blind plug   |                       |
| 13  | EEA2998    | 1    | Emergency cut-off button                           |                       |
| 14  | EEA9829    | 1    | Emergency cut-off button                           |                       |
| 15  | EEA3002    | 1    | Key switch (3-positions)                           |                       |
| 16  | EEA3157    | 1    | Key  | RONIS 601             |
| 17  | EEA3001    | 1    | Blind plug   |                       |
| 18  | EEA4871    | 1    | Switch (2-positions)                               | 22 mm                 |
| 19  | EEA3000    | 1    | Key switch (2-positions)                           |                       |
| 20  | EEA3156    | 1    | Key  | RONIS 455             |





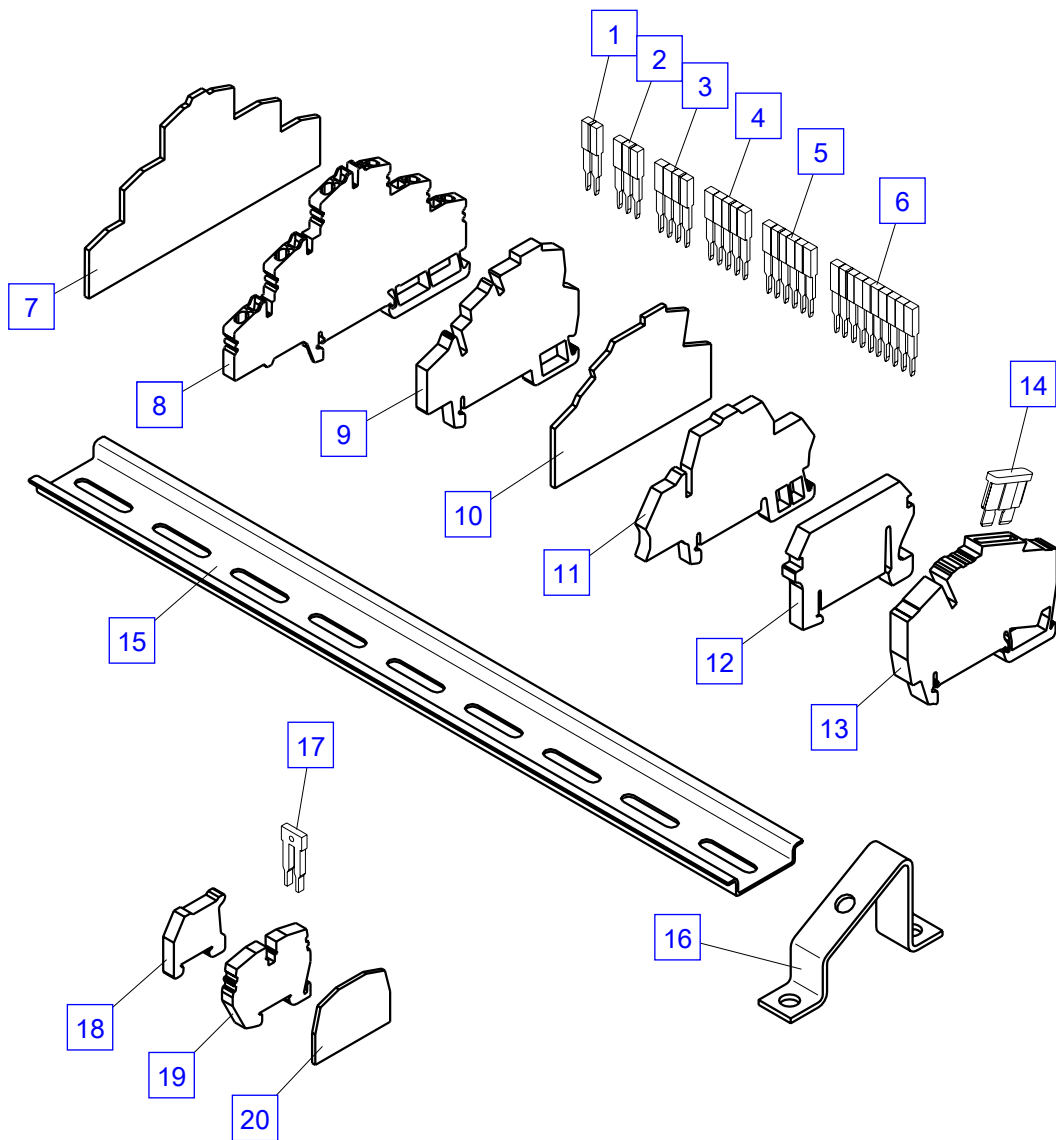
Wire plug

| No. | Spare part | Qty. | Description          | Dimension                      |
|-----|------------|------|----------------------|--------------------------------|
| 1   | EK 370     | 1    | Protecting cap 14+PE | C16-3                          |
| 2   | EEA4403    | 1    | Plug box 14+PE       |                                |
| 3   | EEA 599    | 1    | Plug box 14+PE       | C16-3                          |
|     | EEA5498    | 1    | Contact              | C16-3 0.5-1.5 mm <sup>2</sup>  |
|     | EEA5500    | 1    | Contact              | C16-3 0.75-1 mm <sup>2</sup>   |
|     | EEA 602    | 1    | Contact              | C16-3                          |
|     | EEA 605    | 1    | Contact              | C16-3                          |
| 4   | EEA4198    | 1    | Diagnostic cable     |                                |
| 5   | EEA 600    | 1    | Wire plug 14+PE      | C16-3                          |
|     | EEA5499    | 1    | Contact              | C16-3 0.75-1 mm <sup>2</sup>   |
|     | EEA5497    | 1    | Contact              | C16-3 0.5-1.5 mm <sup>2</sup>  |
|     | EEA5554    | 1    | Contact              | C16-3 0.35-0.5 mm <sup>2</sup> |
| 6   | HA7465     | 1    | Bearer               |                                |
| 7   | ES 414     | 2    | Screw                | M6x10 ISO4762 - 8.8            |
| 8   | EEA 028    | 1    | Plug                 |                                |
| 9   | EEA 029    | 1    | Plug box             |                                |



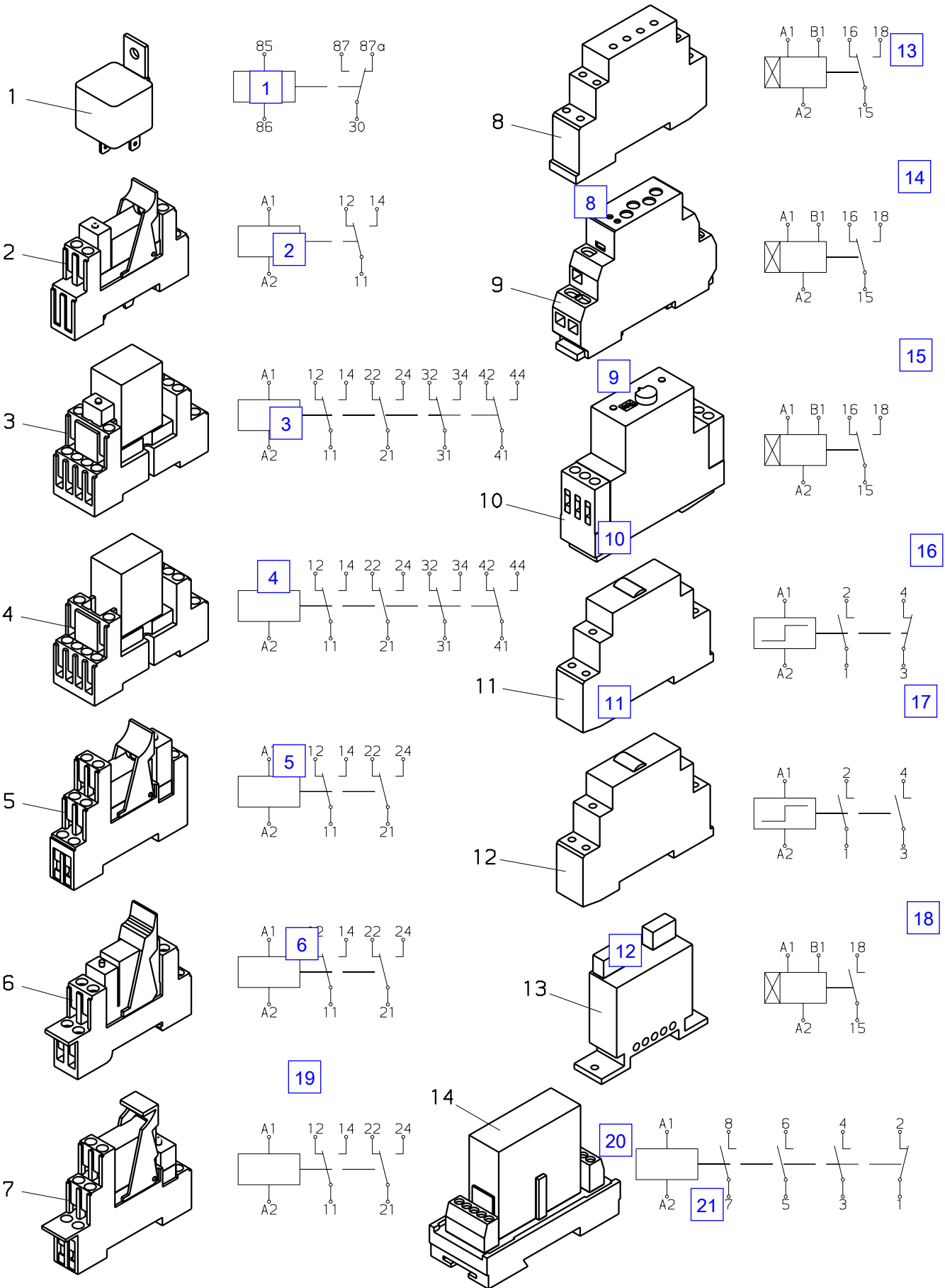
Line-up terminal

| No. | Spare part | Qty. | Description                    | Dimension                 |
|-----|------------|------|--------------------------------|---------------------------|
| 1   | EEA4552    | 1    | Cross connection (2-sections)  | ZDK 27.6 mm               |
| 2   | EEA4553    | 1    | Cross connection (3-sections)  | ZDK 27.6 mm               |
| 3   | EEA4554    | 1    | Cross connection (4-sections)  | ZDK 27.6 mm               |
| 4   | EEA4555    | 1    | Cross connection (5-sections)  | ZDK 27.6 mm               |
| 5   | EEA4556    | 1    | Cross connection (6-sections)  | ZDK 27.6 mm               |
| 6   | EEA4557    | 1    | Cross connection (10-sections) | ZDK 27.6 mm               |
| 7   | EEA9803    | 1    | Stop plate                     | ZDK                       |
| 8   | EEA9802    | 1    | Line-up terminal               | ZDK max. 2.5 <sup>2</sup> |
| 9   | EEA4550    | 1    | Line-up terminal               | ZDK max. 2.5 <sup>2</sup> |
| 10  | EEA4551    | 1    | Stop plate                     | ZDK 27.6 mm               |
| 11  | EEA4559    | 1    | Line-up terminal LED           | ZDK max. 2.5 <sup>2</sup> |
| 12  | EEA4558    | 1    | End terminal                   | ZDK                       |
| 13  | EEA6078    | 1    | Fuse bracket                   |                           |
| 14  | EEA1804    | 1    | Fuse                           | 7.5 A                     |
| 14  | EEA4577    | 1    | Fuse                           | 5 A                       |
| 14  | EEA6090    | 1    | Fuse                           | 1 A                       |
| 15  | EEA 930    | 0    | Bearing rail<br>Metered good   |                           |
| 16  | EEA9827    | 2    | Attaching bracket              |                           |
| 17  | EEA4548    | 1    | Cross connection (2-sections)  | ZDK 23 mm                 |
| 17  | EEA4932    | 1    | Cross connection (4-sections)  | ZDK 23 mm                 |
| 18  | EEA4547    | 1    | End terminal                   | ZDK                       |
| 19  | EEA4543    | 1    | Line-up terminal               | ZDK max. 2.5 <sup>2</sup> |
| 20  | EEA4546    | 1    | Connection plate               | ZDK                       |



Relay

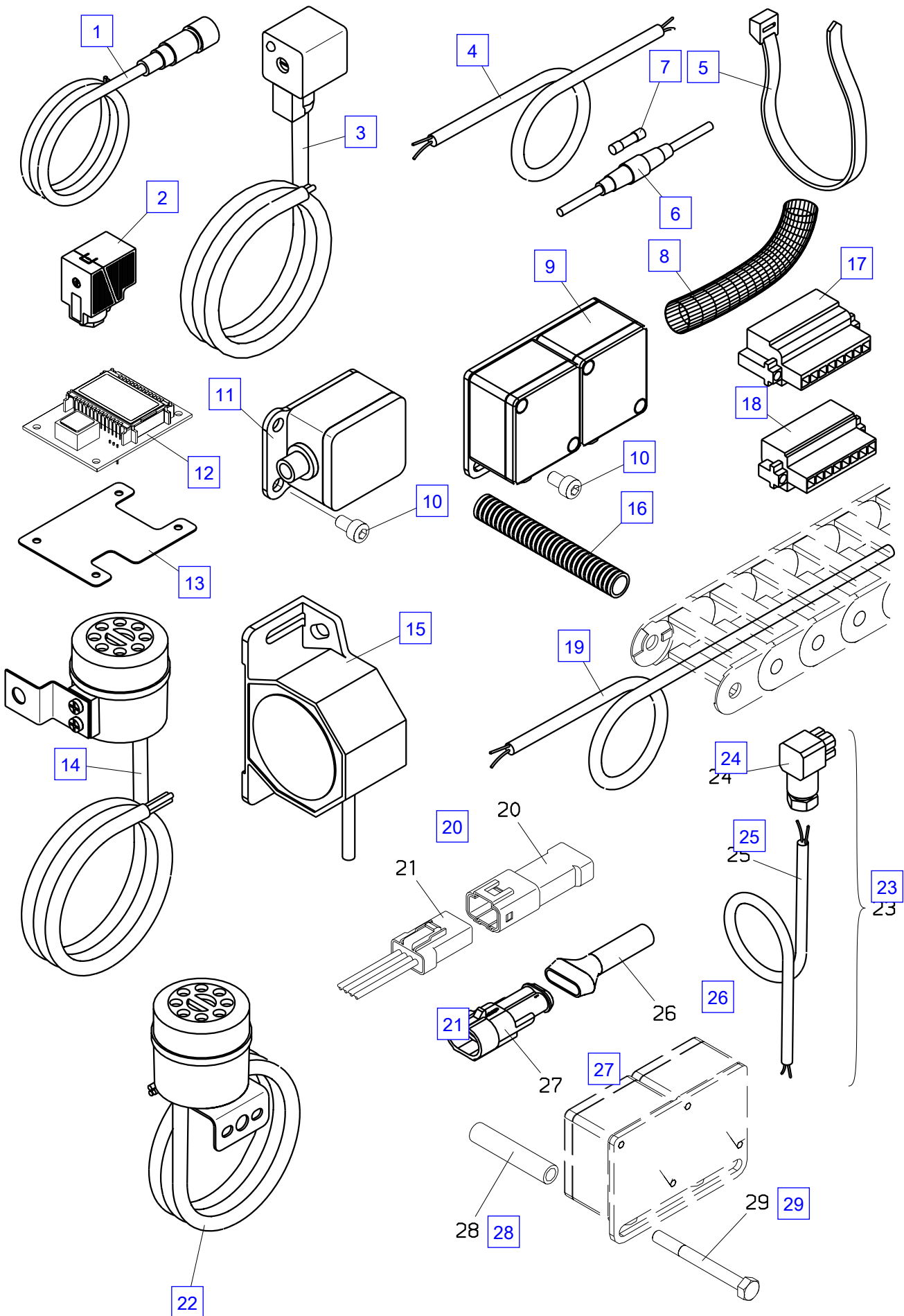
| No. | Spare part | Qty. | Description                      | Dimension  |
|-----|------------|------|----------------------------------|------------|
| 1   | EE 101     | 1    | Relay                            | 24V 12A    |
| 2   | EE 102     | 1    | Relay                            | 24V 7A     |
| 3   | EE 124     | 1    | Relay - gold kontakt             | 24V 7A     |
| 4   | EE 127     | 1    | Relay                            | 24V 8A     |
| 5   | EEA2342    | 1    | Relay                            | 24V 20A    |
| 6   | EEA1456    | 1    | Relay                            | 24V 4A     |
| 8   | EEA3971    | 1    | Relay                            | 24V 6A     |
| 9   | EEA4972    | 1    | Relay                            | 24V 6A     |
| 10  | EEA1812    | 1    | Relay                            | 24V 16A    |
| 11  | EEA4297    | 1    | Relay                            | 24V 16A    |
| 12  | EEA3748    | 1    | Relay                            | 24V 18A    |
| 13  | EEA5060    | 1    | Time lag relay                   | 8...32Vdc  |
| 14  | EEA1425    | 1    | Relay                            | 24V 10A    |
| 15  | EEA4540    | 1    | Time lag relay - clock generator | 24-48V 10h |
| 16  | EEA4088    | 1    | Relay - gold kontakt             | 24V 6A     |
| 17  | EEA3481    | 1    | Time lag relay - clock generator | 12V 10A    |
| 18  | EEA6216    | 1    | Relay - projector                | 24V 10A    |
| 19  | EEA 986    | 1    | Time lag relay                   | 24V 2A     |
| 20  | EEA5339    | 1    | Relay                            | 24V 6A     |
| 21  | EEA5319    | 1    | Stop plate                       | 24V        |



Miscellaneous

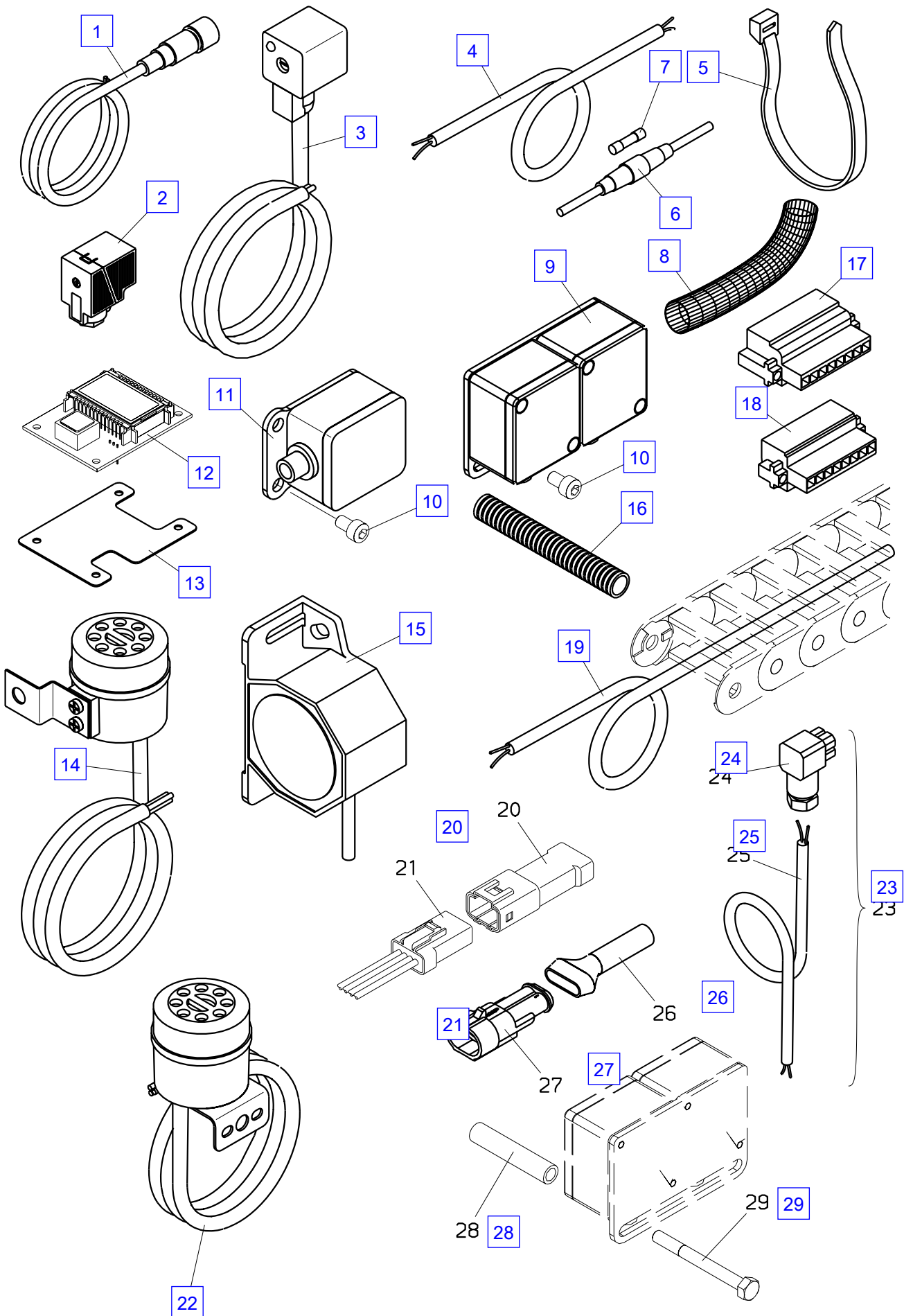
| No. | Spare part | Qty. | Description                             | Dimension                              |
|-----|------------|------|---|--|
| 1   | EEA11926   | 1    | Plug with cable (4-pole)                | M 12 - 5 m 2x2 CAN-Bus                 |
| 1   | EEA9818    | 1    | Plug with cable (4-pole)                | M 12 - 1 m                             |
| 1   | EEA9985    | 1    | Plug with cable (3-pole)                | M 8 - 12 m                             |
| 1   | EEA5382    | 1    | Plug with cable (4-pole)                | M 12 - 8 m                             |
| 1   | EEA5383    | 1    | Plug with cable (4-pole)                | M 12 - 12 m                            |
| 1   | EEA5639    | 1    | Angle plug with cable (4-pole)          | M 12 - 2.6 m                           |
| 1   | EEA13589   | 1    | Connecting cable (3-pole)               | M 8 - 8 m                              |
| 1   | EEA9815    | 1    | Plug with cable (4-pole)                | M 12 - 11 m                            |
| 1   | EEA9814    | 1    | Plug with cable (4-pole)                | M 12 - 3 m                             |
| 1   | EEA11661   | 1    | Angle plug with cable (4-pole)          | M 12 - 3 m                             |
| 1   | EEA5384    | 1    | Plug with cable (4-pole)                | M 12 - 15 m                            |
| 1   | EEA12216   | 1    | Plug with cable (4-pole)                | M 12 - 3 m 2x2 CAN-Bus                 |
| 1   | EEA1150    | 1    | Plug with cable (3-pole)                | M 12 - 12 m                            |
| 1   | EEA2574    | 1    | Plug with cable (3-pole)                | M 12 - 8 m                             |
| 1   | EEA5075    | 1    | Plug with cable (3-pole)                | M 12 - 3 m                             |
| 1   | EEA3105    | 1    | Angle plug with cable (4-pole)          | M 12 - 2 m                             |
| 1   | EEA5790    | 1    | Plug with cable (4-pole)                | M 12 - 8 m                             |
| 1   | EEA6076    | 1    | Plug with cable (4-pole)                | M 12 - 5 m                             |
| 1   | EEA13653   | 1    | Connecting cable (4-pole)               | M 12 - 7.5 m                           |
| 1   | EEA14103   | 1    | Plug with cable (4-pole)                | M 12 - 2 m                             |
| 2   | EEA 156    | 1    | Plug                                    |  |
| 3   | EEA 772    | 1    | Plug with cable LED                     | 1,5 m                                  |
| 3   | EEA 773    | 1    | Plug with cable LED                     | 3 m                                    |
| 3   | EEA2810    | 1    | Plug with cable LED, red                | 10 m                                   |
| 3   | EEA2811    | 1    | Plug with cable                         | 5 m                                    |
| 4   | EEA 058    | 0    | Cable (metre goods)                     | 3x0.5 mm <sup>2</sup>                  |
| 4   | EEA 162    | 0    | Cable (metre goods)                     | 3x1.5 mm <sup>2</sup>                  |
| 4   | EEA 169    | 0    | Cable (metre goods)                     | 2x1 mm <sup>2</sup>                    |
| 4   | EEA 170    | 0    | Cable (metre goods)                     | 2x1.5 mm <sup>2</sup>                  |
| 4   | EEA 192    | 0    | Cable (metre goods)                     | 7x1.5 mm <sup>2</sup>                  |
| 4   | EEA2478    | 0    | Cable (metre goods)                     | 2x2.5 mm <sup>2</sup>                  |
| 4   | EEA4376    | 0    | Cable (metre goods)                     | 5x2.5 mm <sup>2</sup>                  |
| 4   | EEA4377    | 0    | Cable (metre goods)                     | 10x1.5 mm <sup>2</sup>                 |
| 4   | EEA4378    | 0    | Cable (metre goods)                     | 12x0.75 mm <sup>2</sup>                |
| 4   | EEA4379    | 0    | Cable (metre goods)                     | 4x0.75 mm <sup>2</sup>                 |
| 4   | EEA4380    | 0    | Cable (metre goods)                     | 2x0.75 mm <sup>2</sup>                 |
| 4   | EEA6169    | 0    | Cable (metre goods)                     | 6x0.75 mm <sup>2</sup>                 |
| 4   | EEA6213    | 0    | Cable (metre goods)                     | 7x0.5 mm <sup>2</sup>                  |
| 4   | EEA5260    | 0    | Cable for drag chain (metro goods)      | CAN 25x1,12x0.5,3x0.34 mm"             |
| 4   | EEA6172    | 0    | Cable (34-pole) metre goods             | 17x1 - 14x0.5 - 3x0.34 mm <sup>2</sup> |
| 5   | EK 155     | 1    | Cable tie                               | l=102x2.5                              |
| 5   | EK 165     | 1    | Cable tie                               | l=215x4.8                              |
| 6   | EEA5764    | 1    | Fuse bracket                            |  |
| 7   | EEA6073    | 1    | Fuse                                    | 1A                                     |
| 8   | EH 620     | 1    | Protection hose                         | NW 70x1000                             |
| 8   | EH 822     | 1    | Protection hose                         | NW 50x500                              |
| 8   | EH 878     | 1    | Protection hose                         | NW 102x1000                            |
| 9   | EEA6165    | 1    | Pendulum, cpl.                          | M 12                                   |
| 10  | ES 414     | 2    | Screw                                   | M6x10 ISO4762 - 8.8                    |
| 11  | EEA15298   | 1    | Pendulum (0-180°)                       | M 12                                   |
| 12  | EEA3527    | 1    | Hour meter                              |  |
| 13  | HT1041     | 1    | Cover plate                             |  |
| 14  | EEA 080    | 1    | Horn<br>(Alternating tone alert signal) | 12/24 V                                |
| 14  | EEA2729    | 1    | Horn                                    | 12/24 VDC                              |
| 15  | EEA6194    | 1    | Horn                                    | 12/24 VDC (H6)                         |
| 15  | EEA2753    | 1    | Horn<br>(EN12999)                       | 12 m (CE)                              |
| 16  | EZ1266     | 1    | Protection hose (metre goods)           | D 12.2/15.7 mm                         |
| 16  | EZ1267     | 0    | Protection hose (metre goods)           | D 16.6/21.2 mm                         |
| 16  | EZ1293     | 0    | Protection hose (metre goods)           | D 9.8/13 mm                            |





Miscellaneous

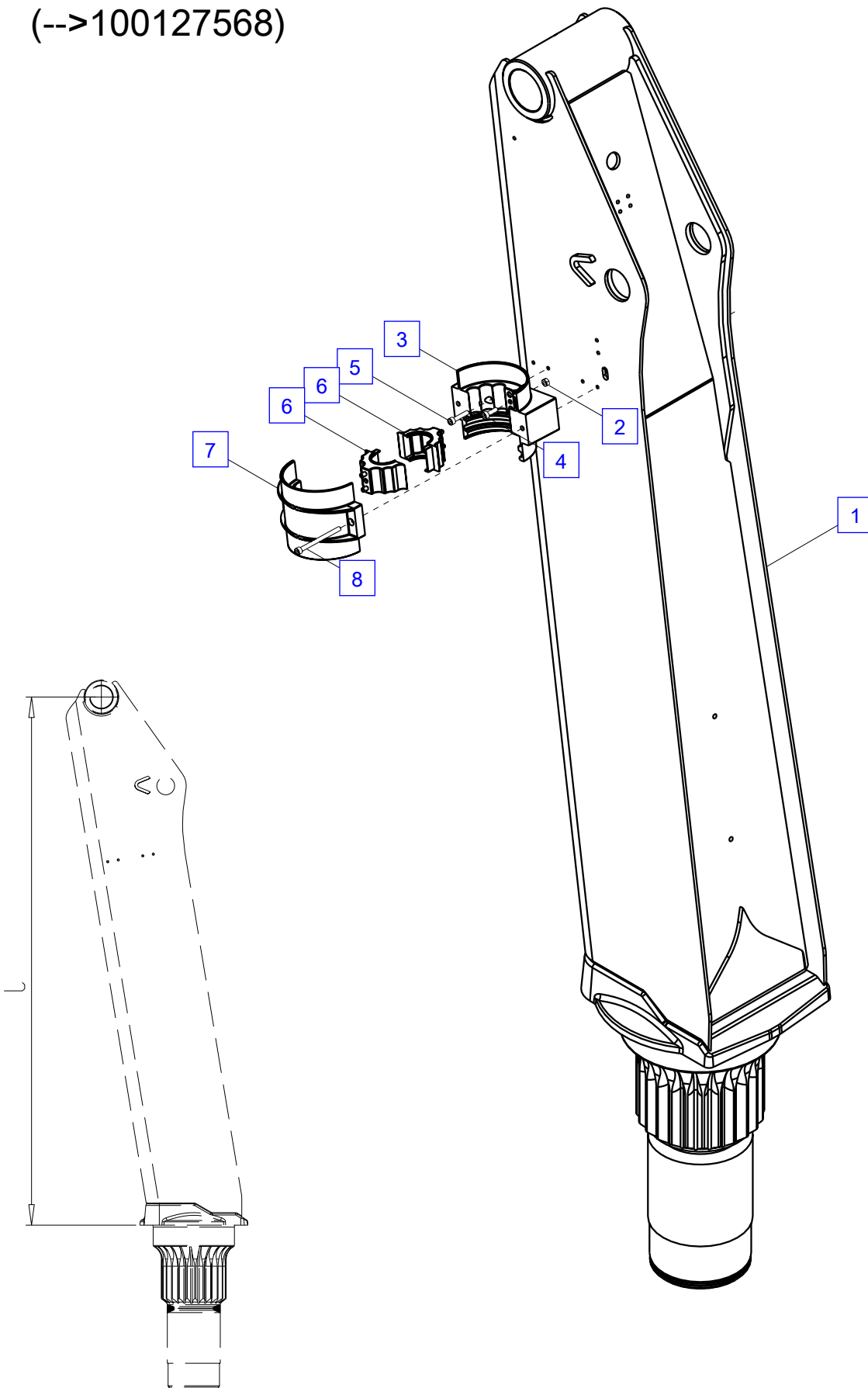
| No. | Spare part | Qty. | Description                             | Dimension                   |
|-----|------------|------|---|-----------------------------|
| 16  | EZ2837     | 0    | Protection hose (metre goods)           | D 6.6/10 mm                 |
| 17  | EEA5034    | 1    | Female strip (4-sections)               | Typ BLZF                    |
| 17  | EEA4948    | 1    | Female strip (5-sections)               | Typ BLZF                    |
| 17  | EEA4947    | 1    | Female strip (9-sections)               | Typ BLZF                    |
| 17  | EEA4597    | 1    | Female strip (24-sections)              | Typ BLZF                    |
| 17  | EEA4596    | 1    | Female strip (12-sections)              | Typ BLZF                    |
| 17  | EEA4595    | 1    | Female strip (10-sections)              | Typ BLZF                    |
| 17  | EEA4594    | 1    | Female strip (8-sections)               | Typ BLZF                    |
| 17  | EEA4593    | 1    | Female strip (6-sections)               | Typ BLZF                    |
| 17  | EEA4592    | 1    | Female strip (3-sections)               | Typ BLZF                    |
| 17  | EEA4591    | 1    | Female strip (2-sections)               | Typ BLZF                    |
| 17  | EEA5705    | 1    | Wire plug (15-sections)                 | Typ BLZF                    |
| 18  | EEA3087    | 1    | Wire plug (6-sections)                  | Typ BL                      |
| 18  | EEA2603    | 1    | Wire plug (2-sections)                  | Typ BL                      |
| 18  | EEA1720    | 1    | Wire plug (4-sections)                  | Typ BL                      |
| 18  | EEA2604    | 1    | Wire plug (8-sections)                  | Typ BL                      |
| 18  | EEA2605    | 1    | Female strip (10-sections)              | Typ BL                      |
| 18  | EEA2606    | 1    | Wire plug (12-sections)                 | Typ BL                      |
| 18  | EEA2698    | 1    | Wire plug (3-sections)                  | Typ BL                      |
| 18  | EEA2607    | 1    | Wire plug (24-sections)                 | Typ BL                      |
| 19  | EEA 134    | 0    | Cable for drag chain (metre goods)      | 12x1 mm <sup>2</sup>        |
| 19  | EEA 791    | 0    | Cable for drag chain (metre goods)      | 18x1 mm <sup>2</sup>        |
| 19  | EEA1268    | 0    | Cable for drag chain (metre goods)      | 12x1.5 mm <sup>2</sup>      |
| 19  | EEA1705    | 0    | Cable for drag chain (metre goods)      | 5x1.5 mm <sup>2</sup>       |
| 19  | EEA2141    | 0    | Cable for drag chain (metre goods)      | 5x1 mm <sup>2</sup>         |
| 19  | EEA5752    | 0    | Cable for drag chain (metre goods)      | 22x1 mm <sup>2</sup>        |
| 20  | EEA 091    | 1    | Plug (3-pole)                           |                             |
| 21  | EEA5741    | 1    | Plug with cable                         | 1,5 m                       |
| 21  | EEA5742    | 1    | Plug with cable                         | 2,5 m                       |
| 21  | EEA6154    | 1    | Plug with cable                         | 3,5 m                       |
| 22  | EEA6192    | 1    | Horn<br>(Alternating tone alert signal) | 12/24 VDC                   |
| 22  | EEA6193    | 1    | Horn<br>(Continuous tone)               | 12/24 VDC (H5)              |
| 23  | EEA2696    | 1    | Plug with cable                         | 1.5 m                       |
| 23  | EEA3399    | 1    | Plug with cable                         | 3 m                         |
| 23  | EEA9860    | 1    | Plug with cable                         | 4 m                         |
| 24  | EEA1718    | 1    | Wire plug                               |                             |
| 25  | EEA1755    | 0    | Cable (metre goods)                     | 4x0.34 mm <sup>2</sup>      |
| 26  | EEA6202    | 1    | Rubber grummet                          |                             |
| 27  | EEA6185    | 1    | Bush insert (2-pole)                    | MIC                         |
|     | EEA6184    | 2    | Contact                                 | MIC 1.0-1.5 mm <sup>2</sup> |
|     | EEA6203    | 2    | Seal                                    |                             |
|     | EEA6202    | 1    | Rubber grummet                          |                             |
| 28  | HBS3284    | 2    | Spacer                                  | l=50 mm                     |
| 29  | ES 976     | 2    | Screw                                   | M 6x60 DIN 931              |



## Crane column - F

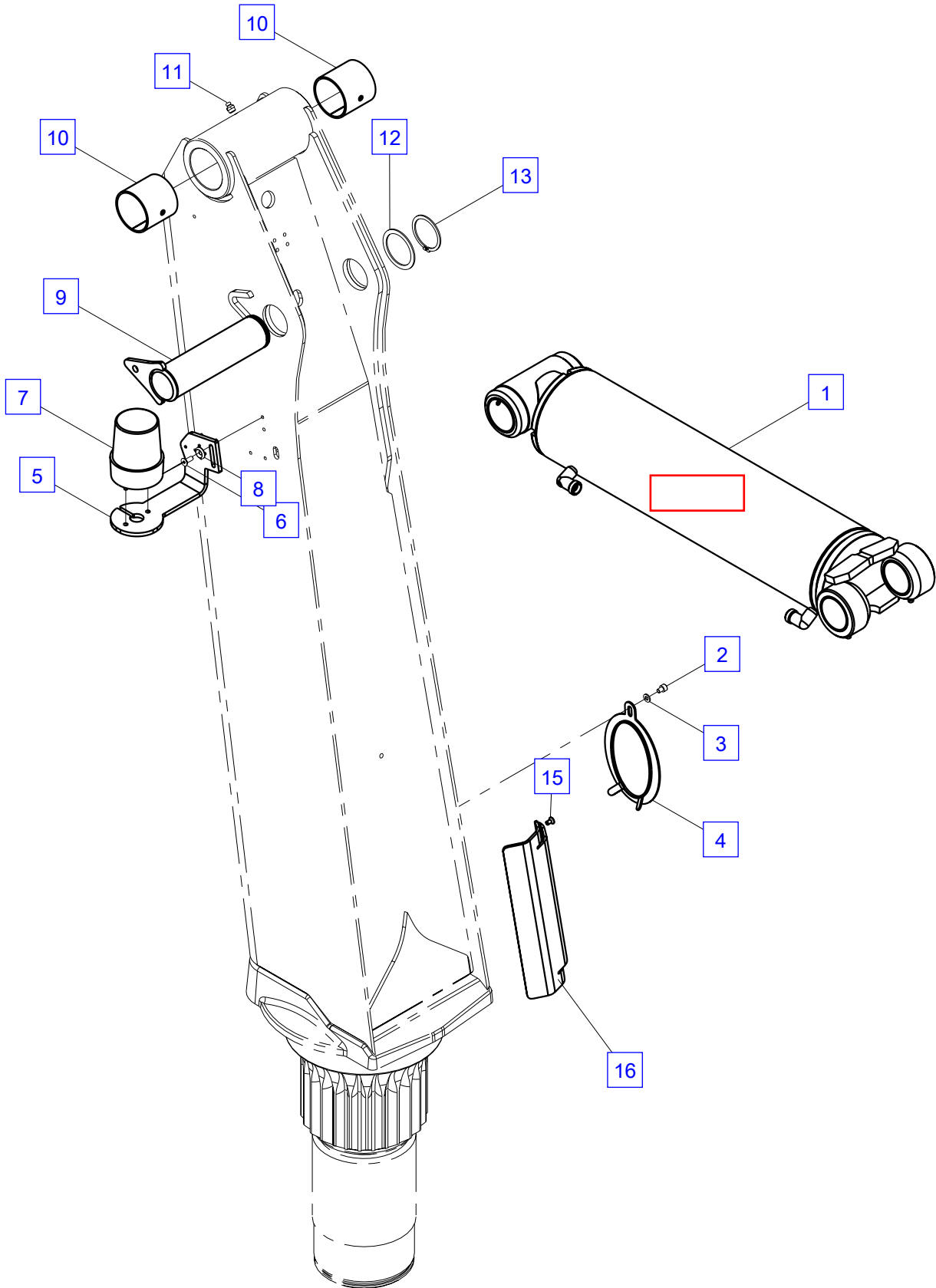
| No. | Spare part      | Qty. | Description  | Dimension              |
|-----|-----------------|------|--------------|------------------------|
| 1   | S106S09SA+00001 | 1    | Crane column | l=1482 mm              |
| 2   | EM 004          | 1    | Nut          | DIN 934 M6 CL8 ZB      |
| 3   | HX 064          | 1    | Hose clamp   |                        |
| 4   | ES 001          | 1    | Screw        | M 6x18 DIN 912         |
| 5   | ES 087          | 2    | Screw        | M 6x30 - 8.8 - ISO4762 |
| 6   | HX 066          | 2    | Hose clamp   | NW 10                  |
| 7   | HX 067          | 1    | Hose clamp   |                        |
| 8   | ES 171          | 2    | Screw        | M 6x80 ISO4762- 8.8    |

(-->100127568)



Attachments - crane column

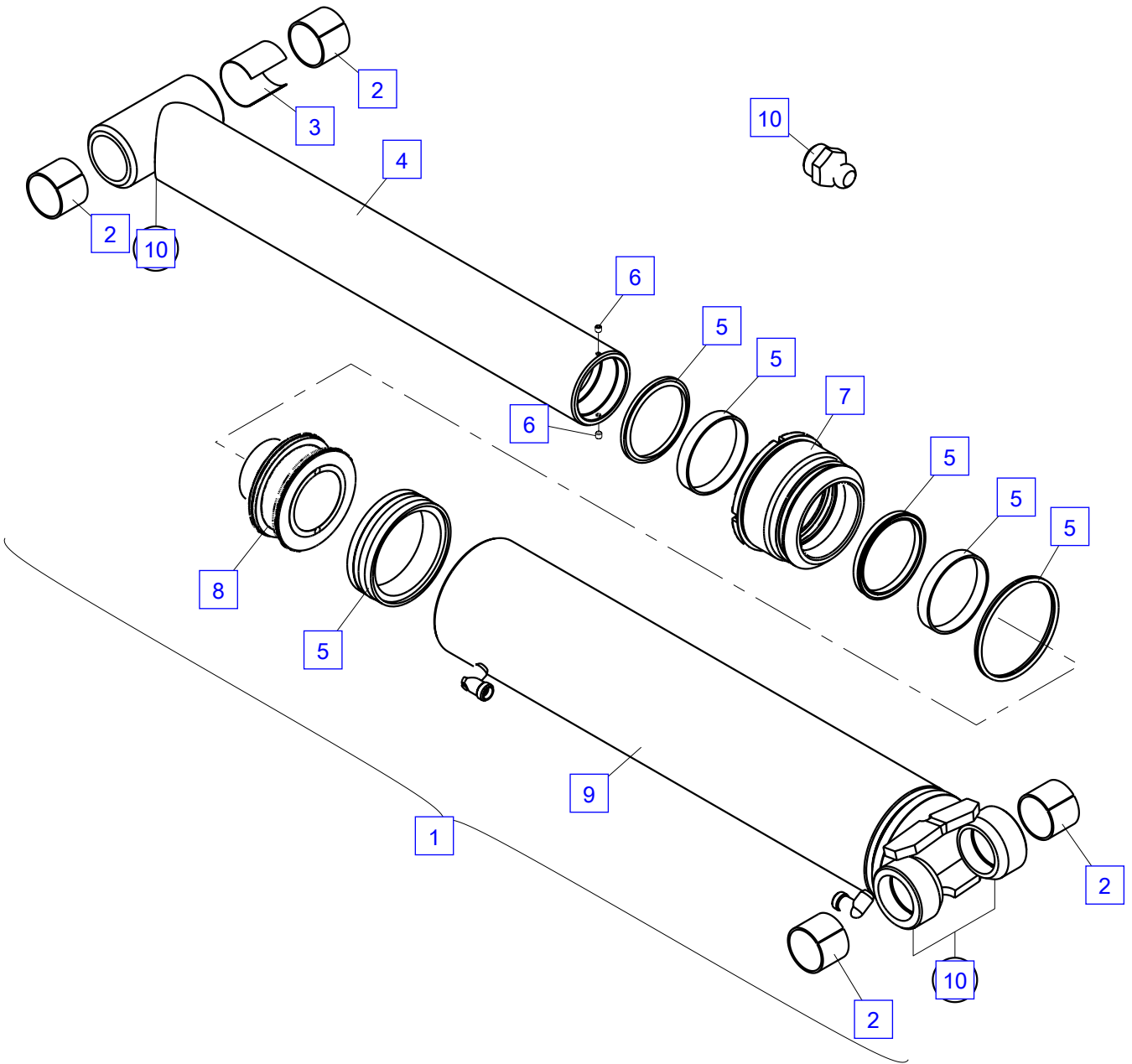
| No. | Spare part | Qty. | Description              | Dimension           |
|-----|------------|------|--------------------------|---------------------|
| 1   | UP1515A    | 1    | Lifting cylinder         | Cr                  |
| 2   | ES 126     | 1    | Screw                    | M 6x8 ISO4762 8.8   |
| 3   | EK 190     | 1    | Washer                   | DIN134-06-ST        |
| 4   | EK1239     | 1    | Cover                    |                     |
| 5   | HA9353     | 1    | Bearer                   | L0236.3xB0116xS006  |
| 6   | ES 418     | 2    | Screw                    | M6x16 ISO14581- 8.8 |
| 7   | EEA15937   | 1    | Light, green             | M 12                |
| 7   | EEA6076    | 1    | Plug with cable (4-pole) | M 12 -5 m           |
| 7   | EEA17020   | 1    | Adapter cable            | MIC - M 12          |
| 8   | EK 567     | 2    | Washer                   | D 6                 |
| 9   | HI2771     | 1    | Pin                      | D050.0xL0181.1      |
| 10  | ELG 011    | 2    | Bearing bush             | D 60x65x60          |
| 11  | EA 005     | 1    | Grease nipple            | M10x1 DIN71412      |
| 12  | HBS 874    | 1    | Spacer                   | 2 mm                |
| 13  | EQ 086     | 1    | Circlip                  | D 50 DIN 471        |
| 15  | ES1658     | 2    | Screw                    | M 6x12 8.8          |
| 16  | HA13608    | 1    | Protecting cap           |                     |



## Lifting cylinder - details

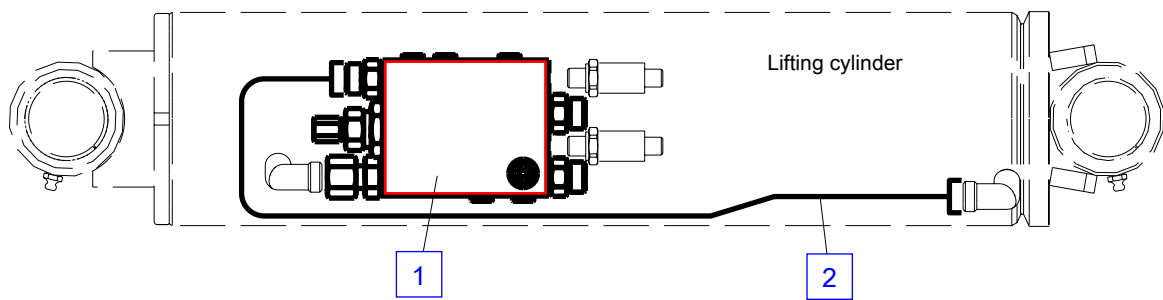
| No. | Spare part | Qty. | Description      | Dimension            |
|-----|------------|------|------------------|----------------------|
| 1   | UP1515A    | 1    | Lifting cylinder | Cr                   |
| 2   | ELG 002    | 4    | Bearing bush     | D 50x55x40           |
| 3   | HBS 381    | 1    | Spacer           |                      |
| 4   | HSK1251A   | 1    | Piston rod       | Cr                   |
| 5   | TD 525A    | 1    | Seal kit         |                      |
| 6   | ES1821     | 2    | Set screw        | M 6x8 DIN 914        |
| 7   | HV 363A    | 1    | Cylinder nut     | M131x2.5 d090xL085   |
| 8   | HK 734     | 1    | Piston           | D124xL085.0 M075x2.0 |
| 9   | HY1393     | 1    | Cylinder tube    | d125                 |
| 10  | EA 005     | 3    | Grease nipple    | M10x1 DIN71412       |





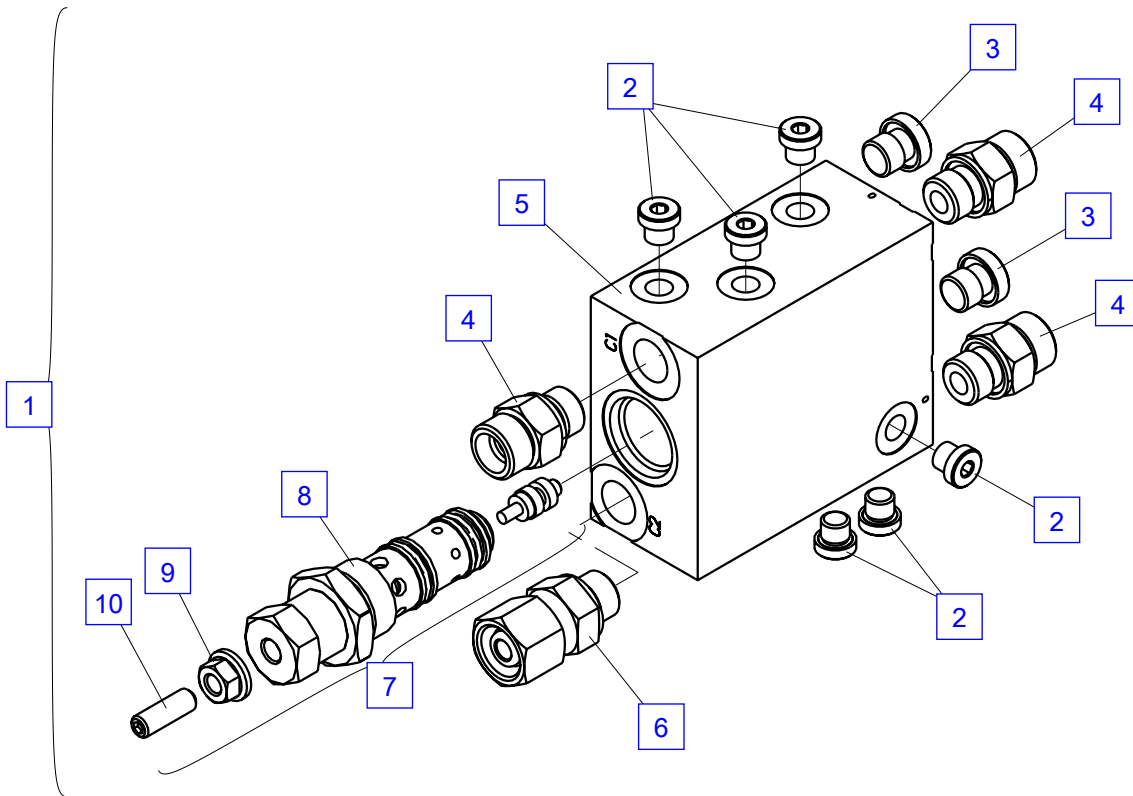
## Piping - lifting cylinder PT050

| No. | Spare part | Qty. | Description                                  | Dimension |
|-----|------------|------|--|-----------|
| 1   | UV439-370  | 1    | Load holding valve<br>see additional chapter |           |
| 2   | HLR 8836   | 1    | Pipe   | D 12      |



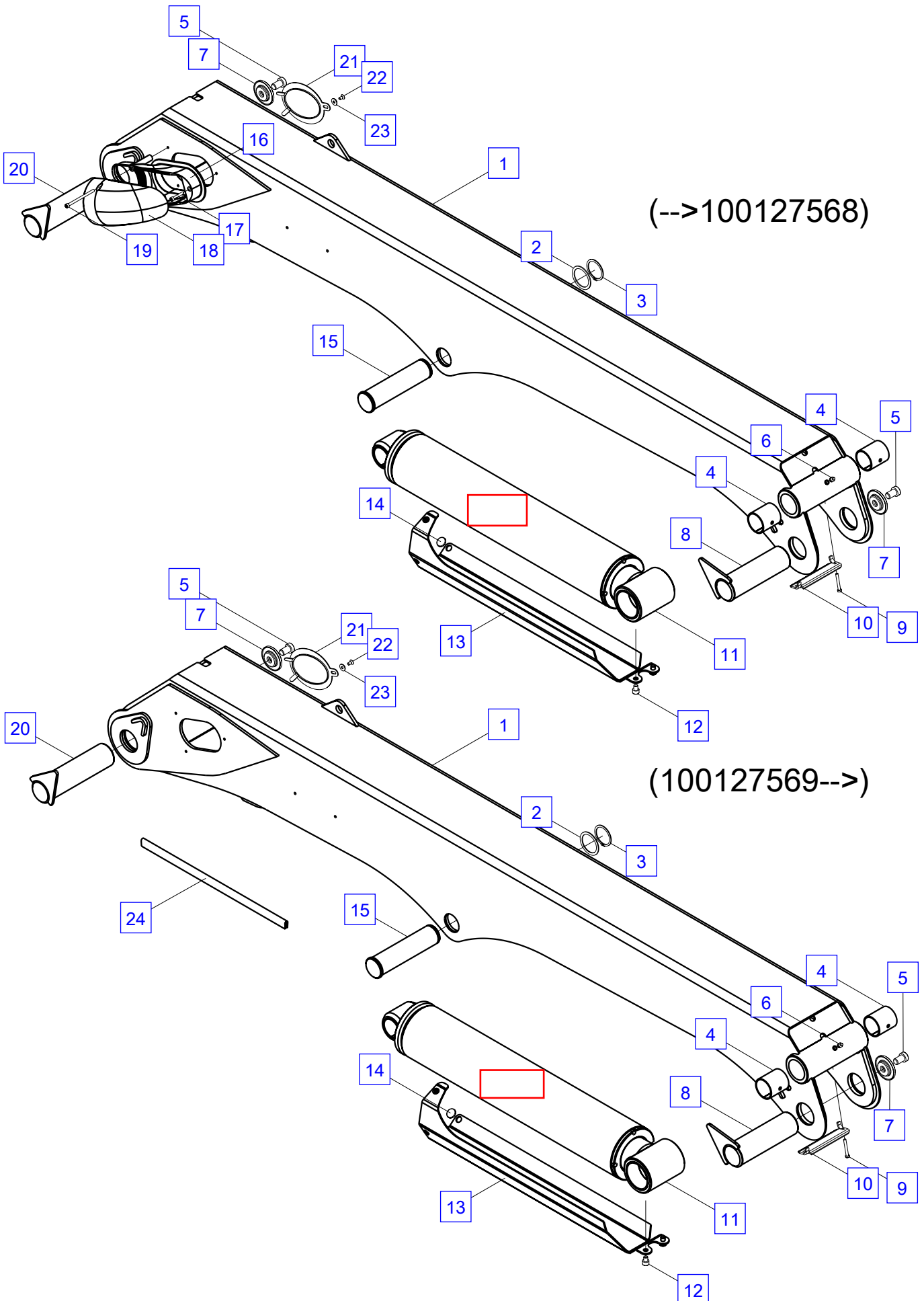
## Load holding valve UV439-...

| No. | Spare part | Qty. | Description           | Dimension       |
|-----|------------|------|-----------------------|-----------------|
| 1   | UV439-370  | 1    | Load holding valve    |                 |
| 2   | EA 423     | 6    | Locking screw         | VSTI R 1/8"     |
| 3   | EA 236     | 2    | Locking screw         | VSTI R 1/4"     |
| 4   | EA 039     | 3    | Fitting               | GE 12S R3/8"-ED |
| 5   | HG 171     | 1    | Housing               |                 |
| 6   | EA 201     | 2    | Fitting               | EGE 12S R3/8-ED |
| 7   | EV 612     | 1    | Valve cartridge       |                 |
|     | TD 204     | 1    | Seal kit              |                 |
| 8   | EV2151     | 1    | Pressure relief valve |                 |
|     | TD 853     | 1    | Seal kit              |                 |
| 9   | EM 199     | 1    | Sealing nut           | M 8x1.5         |
| 10  | ES1036     | 1    | Set screw             | M 8x20 DIN 916  |



Main boom

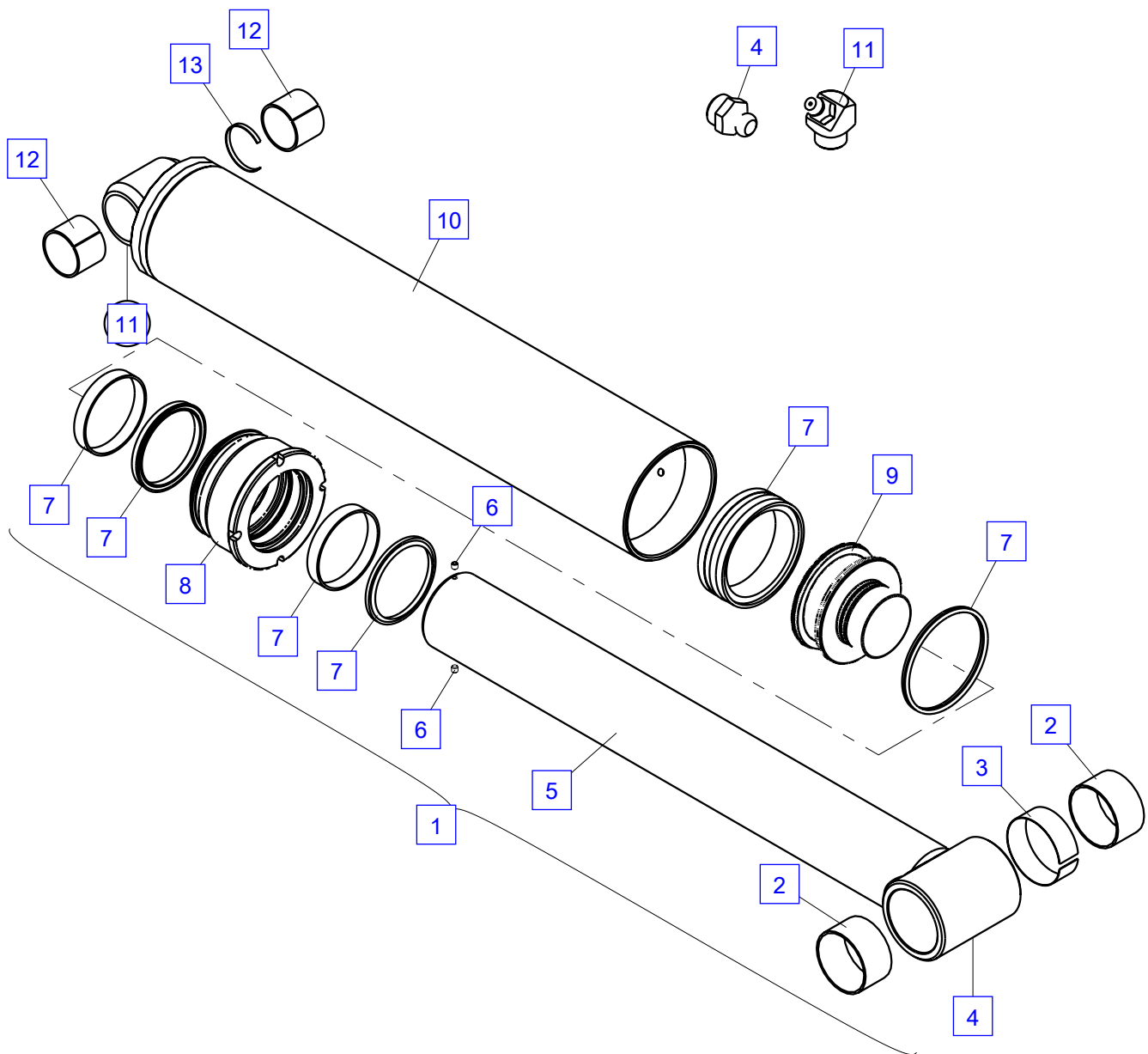
| No. | Spare part      | Qty. | Description                   | Dimension             |
|-----|-----------------|------|-------------------------------|-----------------------|
| 1   | S106H01SB+00001 | 1    | Main boom                     |                       |
| 2   | HBS 874         | 1    | Spacer                        | 2 mm                  |
| 3   | EQ 086          | 1    | Circlip                       | D 50 DIN 471          |
| 4   | ELG 009         | 2    | Bearing bush                  | D 50x55x60            |
| 5   | ES 505          | 1    | Screw                         | M 16x30 ISO4762 10.9  |
| 5   | ES 979          | 1    | Screw                         | M 16x25 DIN7984 8.8   |
| 6   | EA 005          | 1    | Grease nipple                 | M10x1 DIN71412        |
| 7   | HB 130          | 2    | Washer                        | S0013 L0013 D0065     |
|     | HT16348         | 1    | Spacer                        | D=35 s=1.5 mm         |
| 8   | HIG 599         | 1    | Pin                           | D060.0xL0194.5        |
| 9   | ES 103          | 2    | Screw                         | M 6x45 DIN 6912 8.8   |
| 10  | HA9409          | 1    | Hose clamp                    |                       |
| 11  | UP1516A         | 1    | Outer boom ram                | Cr                    |
| 12  | ES 653          | 2    | Screw                         | M 10x12 ISO4762- 8.8  |
| 13  | HA6728          | 1    | Protecting sheet              |                       |
| 14  | HF 047          | 4    | Guide                         | 2 mm                  |
| 15  | HI2772          | 1    | Pin                           |                       |
| 16  | HX 052          | 1    | Hose guide                    |                       |
| 17  | ES 856          | 1    | Screw                         | M 6x35 ISO4762- 8.8   |
| 18  | HX 050          | 1    | Hose guide                    |                       |
| 19  | ES 101          | 2    | Screw                         | M6x90 - 8.8 - ISO4762 |
| 20  | HIG 507         | 1    | Pin                           | D060.0xL0222.5        |
| 21  | EK1239          | 1    | Cover                         |                       |
| 22  | ES 126          | 1    | Screw                         | M 6x8 ISO4762 8.8     |
| 23  | EK 190          | 1    | Washer                        | DIN134-06-ST          |
| 24  | EZ2697          | 1    | Edge protection (metro goods) | 9-12 mm               |
| 24  | EZ 578          | 1    | Edge protection (metro goods) | 4-6 mm                |



Outer boom ram - details

| No. | Spare part | Qty. | Description    | Dimension            |
|-----|------------|------|----------------|----------------------|
| 1   | UP1516A    | 1    | Outer boom ram | Cr                   |
| 2   | ELG 020    | 2    | Bearing bush   | d070xD075xL040       |
| 3   | HBS2837    | 1    | Spacer         | L0210 B0040.S0001    |
| 4   | EA 005     | 1    | Grease nipple  | M10x1 DIN71412       |
| 5   | HSK1252A   | 1    | Piston rod     | Cr                   |
| 6   | ES1821     | 2    | Set screw      | M 6x8 DIN 914        |
| 7   | TD 525A    | 1    | Seal kit       |                      |
| 8   | HV 363A    | 1    | Cylinder nut   | M131x2.5 d090xL085   |
| 9   | HK 734     | 1    | Piston         | D124xL085.0 M075x2.0 |
| 10  | HY1394     | 1    | Cylinder tube  | d125                 |
| 11  | EA 558     | 1    | Grease nipple  | M 10x1 DIN71412      |
| 12  | ELG 002    | 2    | Bearing bush   | D 50x55x40           |
| 13  | HBS2836    | 1    | Spacer         | L0135 B0005 S0001    |

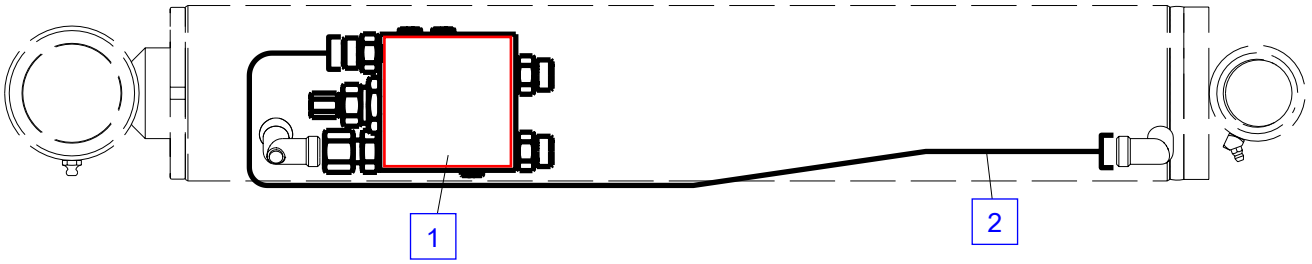




## Piping - outer boom ram

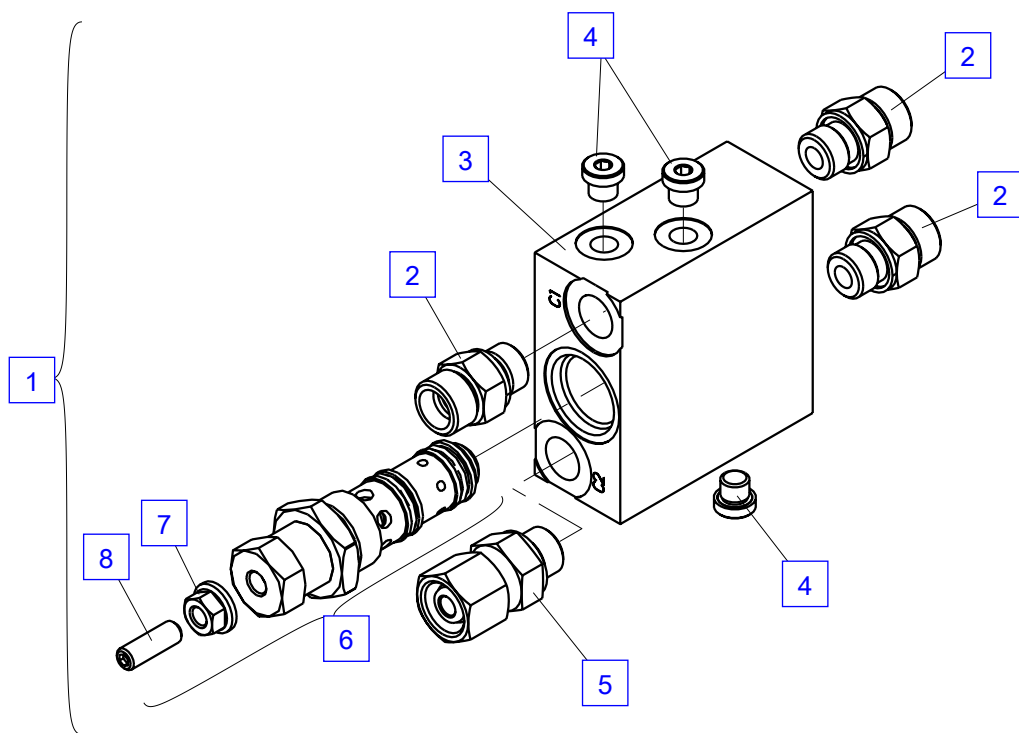
| No. | Spare part | Qty. | Description                                  | Dimension |
|-----|------------|------|--|-----------|
| 1   | UV432-370  | 1    | Load holding valve<br>see additional chapter |           |
| 2   | HLR13257   | 1    | Pipe   | D 12      |

Outer boom ram



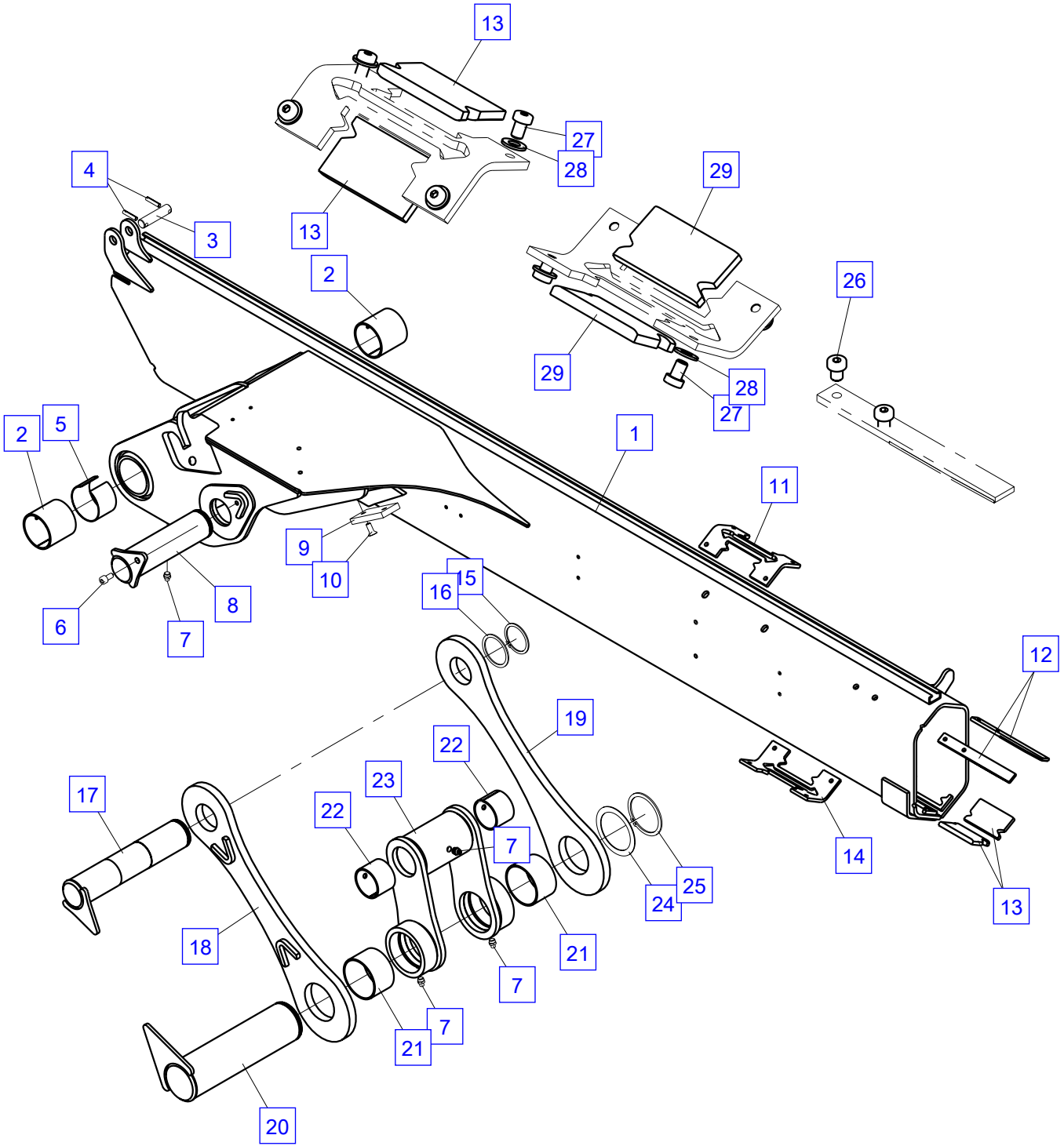
## Load holding valve UV432...

| No. | Spare part | Qty. | Description           | Dimension       |
|-----|------------|------|-----------------------|-----------------|
| 1   | UV432-370  | 1    | Load holding valve    |                 |
| 2   | EA 039     | 3    | Fitting               | GE 12S R3/8"-ED |
| 3   | HG 172     | 1    | Housing               |                 |
| 4   | EA 423     | 3    | Locking screw         | VSTI R 1/8"     |
| 5   | EA 201     | 1    | Fitting               | EGE 12S R3/8-ED |
| 6   | EV2151     | 1    | Pressure relief valve |                 |
|     | TD 853     | 1    | Seal kit              |                 |
| 7   | EM 199     | 1    | Sealing nut           | M 8x1.5         |
| 8   | ES1036     | 1    | Set screw             | M 8x20 DIN 916  |



Outer boom

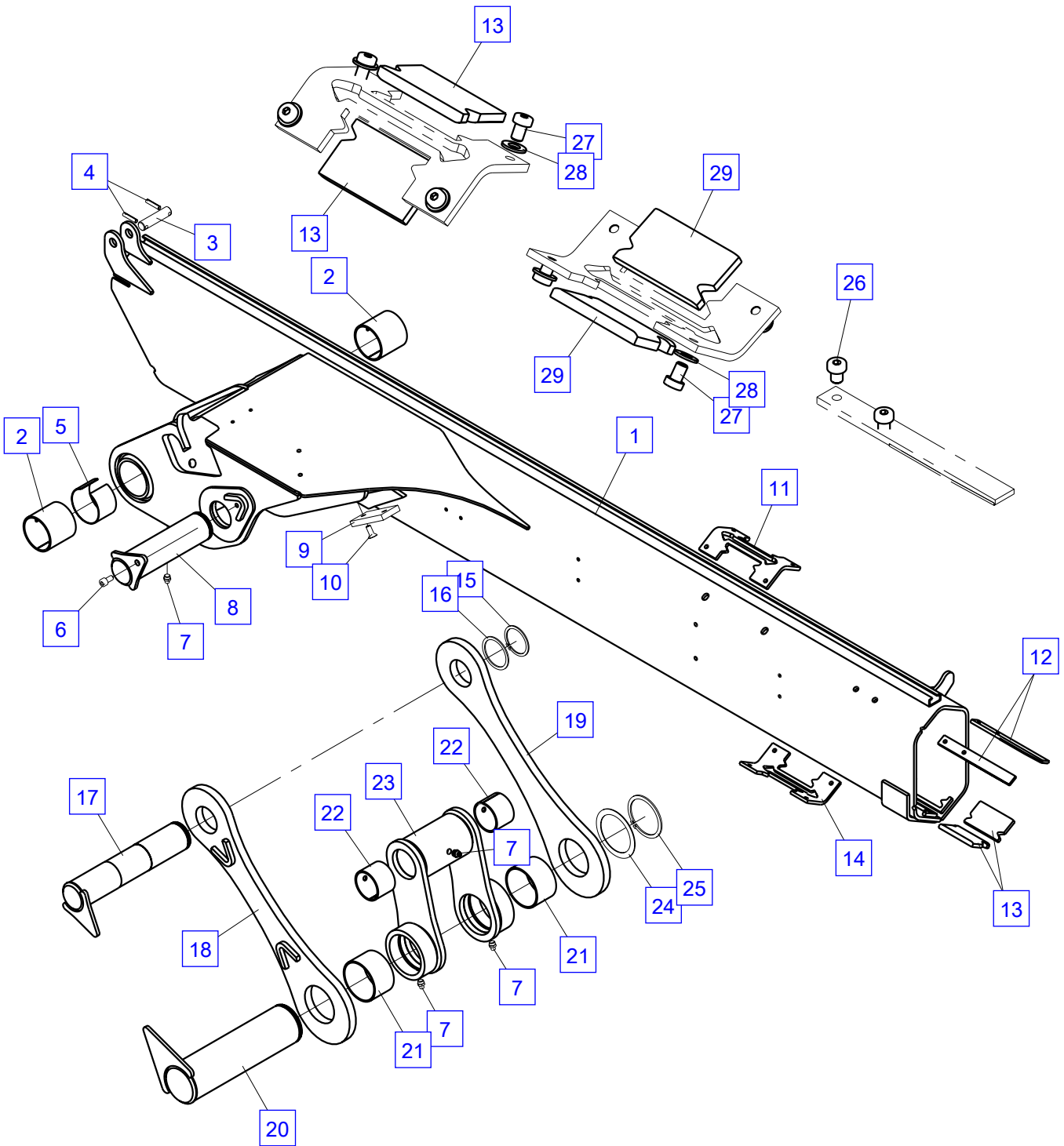
| No. | Spare part      | Qty. | Description    | Dimension            |
|-----|-----------------|------|----------------|----------------------|
| 1   | S106K09SA+00001 | 1    | Outer boom     |                      |
| 2   | ELG 011         | 2    | Bearing bush   | D 60x65x60           |
| 3   | HI 513          | 1    | Pin            | D016.0xL0065.0       |
| 4   | EQ 056          | 2    | Winding pin    | D 6x40 DIN 1481      |
| 5   | HBD 314         | 1    | Spacer         | L0180 B0041 S0001    |
| 6   | ES 264          | 1    | Screw          | M8x16 ISO4762- 8.8   |
| 7   | EA 005          | 4    | Grease nipple  | M10x1 DIN71412       |
| 8   | HI2771          | 1    | Pin            | D050.0xL0181.1       |
| 9   | HTR3920         | 1    | Stop buffer    | 10 mm                |
| 9   | HTR3921         | 1    | Stop buffer    | 12 mm                |
| 9   | HTR3922         | 1    | Stop buffer    | 13 mm                |
| 9   | HTR3923         | 1    | Stop buffer    | 14 mm                |
| 9   | HTR3924         | 1    | Stop buffer    | 8 mm                 |
| 9   | HTR3956         | 1    | Stop buffer    | 15 mm                |
| 9   | HTR3957         | 1    | Stop buffer    | 16 mm                |
| 9   | HTR3958         | 1    | Stop buffer    | 18 mm                |
| 9   | HTR3959         | 1    | Stop buffer    | 20 mm                |
| 10  | ES 109          | 2    | Screw          | M 8x20 ISO14581- 8.8 |
| 10  | ES 297          | 2    | Screw          | M 8x25 ISO14581- 8.8 |
| 11  | HA3302A         | 1    | Bearer         | L0161.0xB0089.8xS006 |
| 12  | HTR2951A        | 2    | Guide block    | 6 mm                 |
| 12  | HTR2952A        | 2    | Guide block    | 8 mm                 |
| 12  | HTR2953A        | 2    | Guide block    | 10 mm                |
| 12  | HTR2982         | 2    | Guide block    | 1 mm                 |
| 12  | HTR4280A        | 2    | Guide block    | 12 mm                |
| 12  | HTR4125A        | 2    | Guide block    | 5 mm                 |
| 12  | HTR4127         | 2    | Guide block    | 0.5 mm               |
| 13  | HF1380+00008    | 4    | Guide block    | 8 mm                 |
| 13  | HF1380+00009    | 4    | Guide block    | 9 mm                 |
| 13  | HF1380+00010    | 4    | Guide block    | 10 mm                |
| 13  | HF1380+00011    | 4    | Guide block    | 11 mm                |
| 13  | HF1380+00012    | 4    | Guide block    | 12 mm                |
| 13  | HF1380+00013    | 4    | Guide block    | 13 mm                |
| 14  | HA9489          | 1    | Bearer         | L0135.0xB0090.6xS005 |
| 15  | EQ 086          | 1    | Circlip        | D 50 DIN 471         |
| 16  | HBS 874         | 1    | Spacer         | 2 mm                 |
| 17  | HI2773          | 1    | Pin            | D050.0xL0245.0       |
| 18  | HHK 317         | 1    | Linkage system |                      |
| 19  | HHK 316         | 1    | Linkage system |                      |
| 20  | HI2774          | 1    | Pin            | D070.0xL0245.0       |
| 21  | HBK 089         | 2    | Bearing bush   | D 70x75x45           |
| 22  | ELG 002         | 2    | Bearing bush   | D 50x55x40           |
| 23  | HHK 318         | 1    | Linkage system |                      |
| 24  | HBS 760         | 1    | Spacer         | 1,5 mm               |
| 24  | HBS 888         | 1    | Spacer         | 2,0 mm               |
| 25  | EQ 062          | 1    | Circlip        | D 70 DIN 471         |
| 26  | ES1089          | 4    | Screw          | M 8x10 DIN 7984 8.8  |
| 26  | ES1082          | 4    | Screw          | M 8x12 DIN 7984 8.8  |
| 26  | ES 051          | 4    | Screw          | M 8x16 DIN 7984 8.8  |
| 27  | ES1082          | 8    | Screw          | M 8x12 DIN 7984 8.8  |
| 28  | EK 003          | 8    | Washer         | D 8.4 ISO7089        |
| 29  | HF 834A         | 2    | Guide block    | 8 mm                 |
| 29  | HF 835A         | 2    | Guide block    | 9 mm                 |
| 29  | HF 836A         | 2    | Guide block    | 10 mm                |
| 29  | HF 838A         | 1    | Guide block    | 12 mm                |
| 29  | HF 835A         | 1    | Guide block    | 9 mm                 |
| 29  | HF 834A         | 1    | Guide block    | 8 mm                 |
| 29  | HF 837A         | 2    | Guide block    | 11 mm                |
| 29  | HF 838A         | 2    | Guide block    | 12 mm                |



## Outer boom

| No. | Spare part | Qty. | Description | Dimension |
|-----|------------|------|-------------|-----------|
| 29  | HF1405     | 2    | Guide block | 7 mm      |
| 29  | HF1406     | 2    | Guide block | 6 mm      |



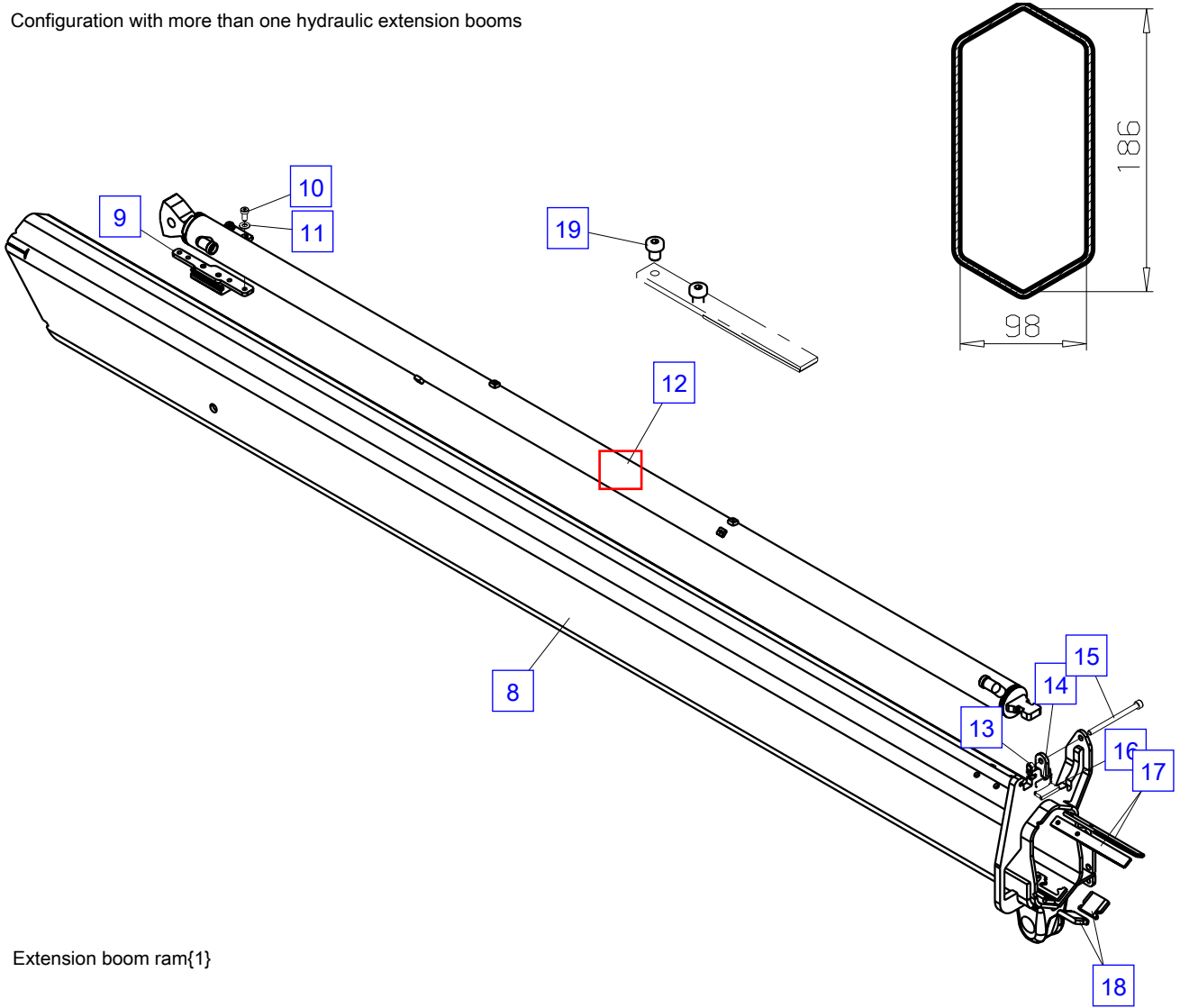


Extension boom 1 + piping

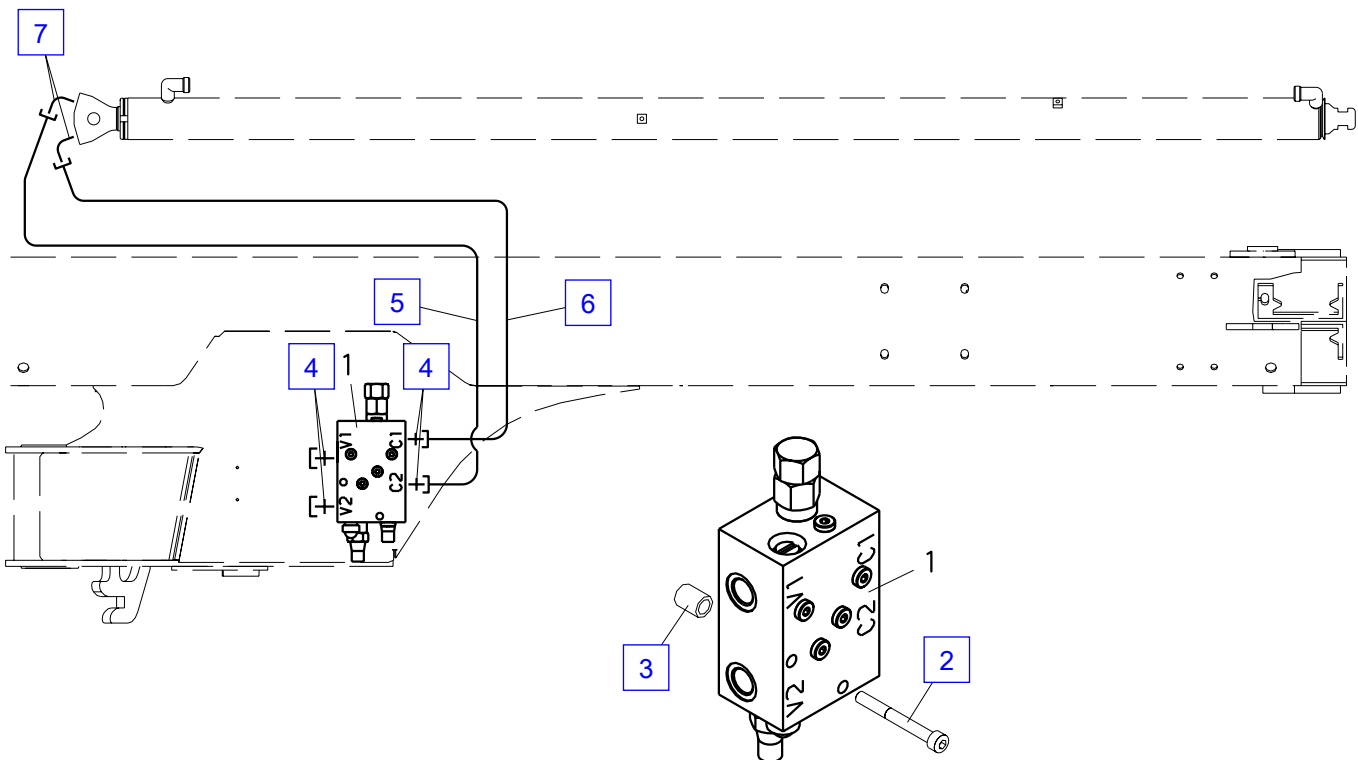
| No. | Spare part   | Qty. | Description        | Dimension             |
|-----|--------------|------|--------------------|-----------------------|
| 1   | EV5144A      | 1    | Load holding valve |                       |
| 2   | ES1159       | 2    | Screw              | M 8x80 ISO4762- 8.8   |
| 3   | HBS1020      | 2    | Spacer             | S0002.5 L0020.0 D0016 |
| 4   | EA 183       | 4    | Fitting            | GE 12S R1/2"-ED       |
| 5   | HLR 1439     | 1    | Pipe               | D 12                  |
| 6   | HLR 1440     | 1    | Pipe               | D 12                  |
| 7   | EA1749       | 2    | Adaptor            | WEE 12S 3/8"          |
| 8   | S104T11-D    | 1    | Boom extensions    | 185x98 mm             |
| 9   | HXE1853B     | 1    | Cylinder guide     |                       |
| 10  | ES 051       | 2    | Screw              | M 8x16 DIN 7984 8.8   |
| 11  | EK 003       | 2    | Washer             | D 8.4 ISO7089         |
| 12  | UP1854A      | 1    | Extension boom ram |                       |
| 13  | EM 026       | 1    | Nut                | M 8 DIN 985           |
| 14  | EF 144       | 1    | Spring             |                       |
| 15  | ES1163       | 1    | Screw              | M 8x110 DIN 912       |
| 16  | HT1040       | 1    | Bearer             | L=42 B=19 S=6         |
| 17  | HTR4127      | 2    | Guide block        | 0.5 mm                |
| 17  | HTR2982      | 2    | Guide block        | 1 mm                  |
| 17  | HTR4125A     | 2    | Guide block        | 5 mm                  |
| 17  | HTR2951A     | 2    | Guide block        | 6 mm                  |
| 17  | HTR3331A     | 2    | Guide block        | 7 mm                  |
| 17  | HTR2952A     | 2    | Guide block        | 8 mm                  |
| 17  | HTR3667A     | 2    | Guide block        | 9 mm                  |
| 17  | HTR2953A     | 2    | Guide block        | 10 mm                 |
| 17  | HTR4280A     | 2    | Guide block        | 12 mm                 |
| 18  | HF1381+00008 | 2    | Guide block        | 8 mm                  |
| 18  | HF1381+00009 | 2    | Guide block        | 9 mm                  |
| 18  | HF1381+00010 | 2    | Guide block        | 10 mm                 |
| 18  | HF1381+00011 | 2    | Guide block        | 11 mm                 |
| 18  | HF1381+00012 | 2    | Guide block        | 12 mm                 |
| 19  | ES1089       | 4    | Screw              | M 8x10 DIN 7984 8.8   |
| 19  | ES1082       | 4    | Screw              | M 8x12 DIN 7984 8.8   |
| 19  | ES 051       | 4    | Screw              | M 8x16 DIN 7984 8.8   |

**Extension boom 1 + piping**

Configuration with more than one hydraulic extension booms

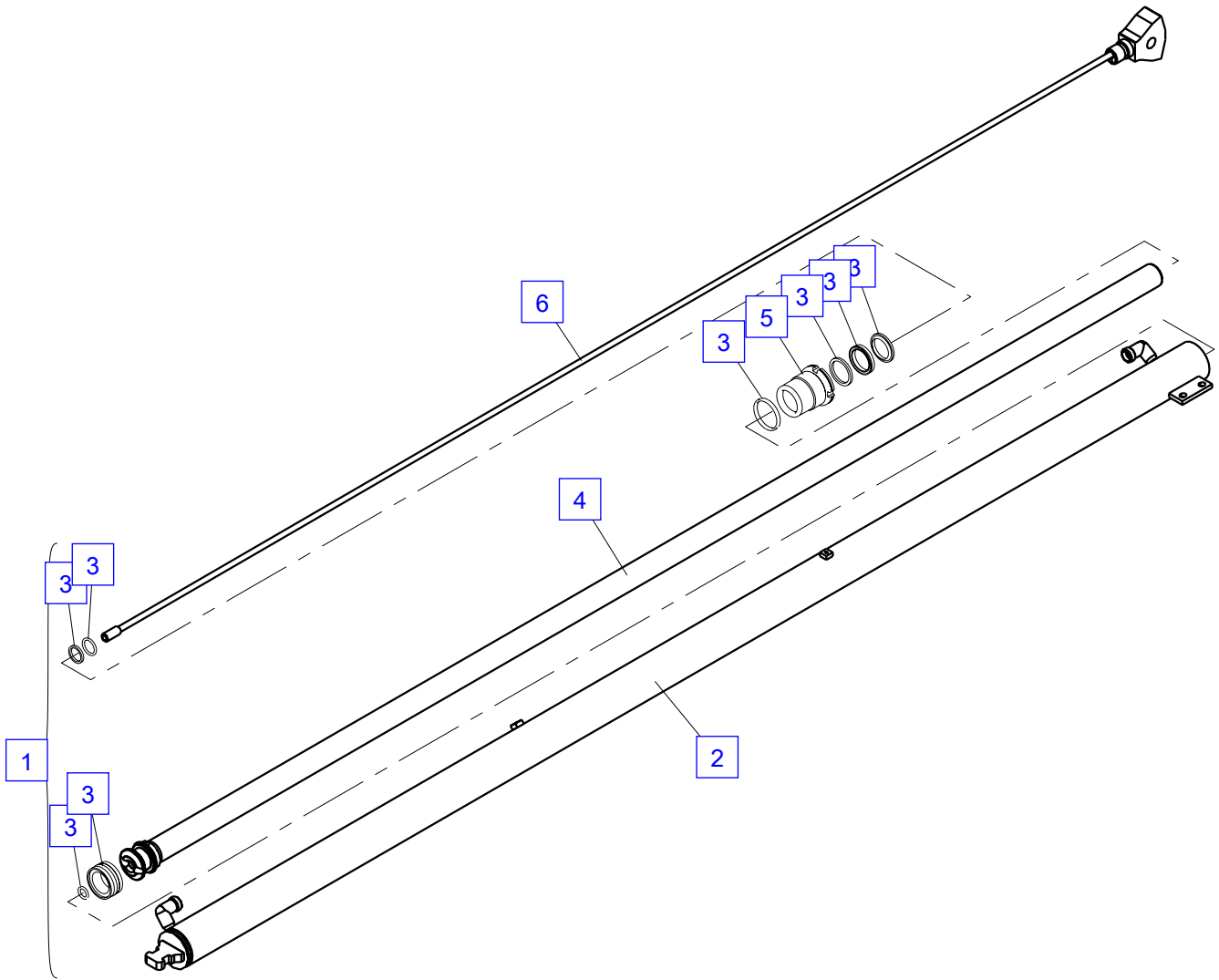


Extension boom ram{1}



## Boom extensions ram UP1854A details

| No. | Spare part | Qty. | Description        | Dimension           |
|-----|------------|------|--------------------|---------------------|
| 1   | UP1854A    | 1    | Extension boom ram |                     |
| 2   | HY1420A    | 1    | Cylinder tube      |                     |
| 3   | TD 578A    | 1    | Seal kit           |                     |
| 4   | HSK1449A   | 1    | Piston rod         | Cr                  |
| 5   | HV 390A    | 1    | Cylinder nut       | M048x1.5 d032xL060  |
| 6   | HXE2428A   | 1    | Inner tube         | DB016.0xL030 D025.0 |

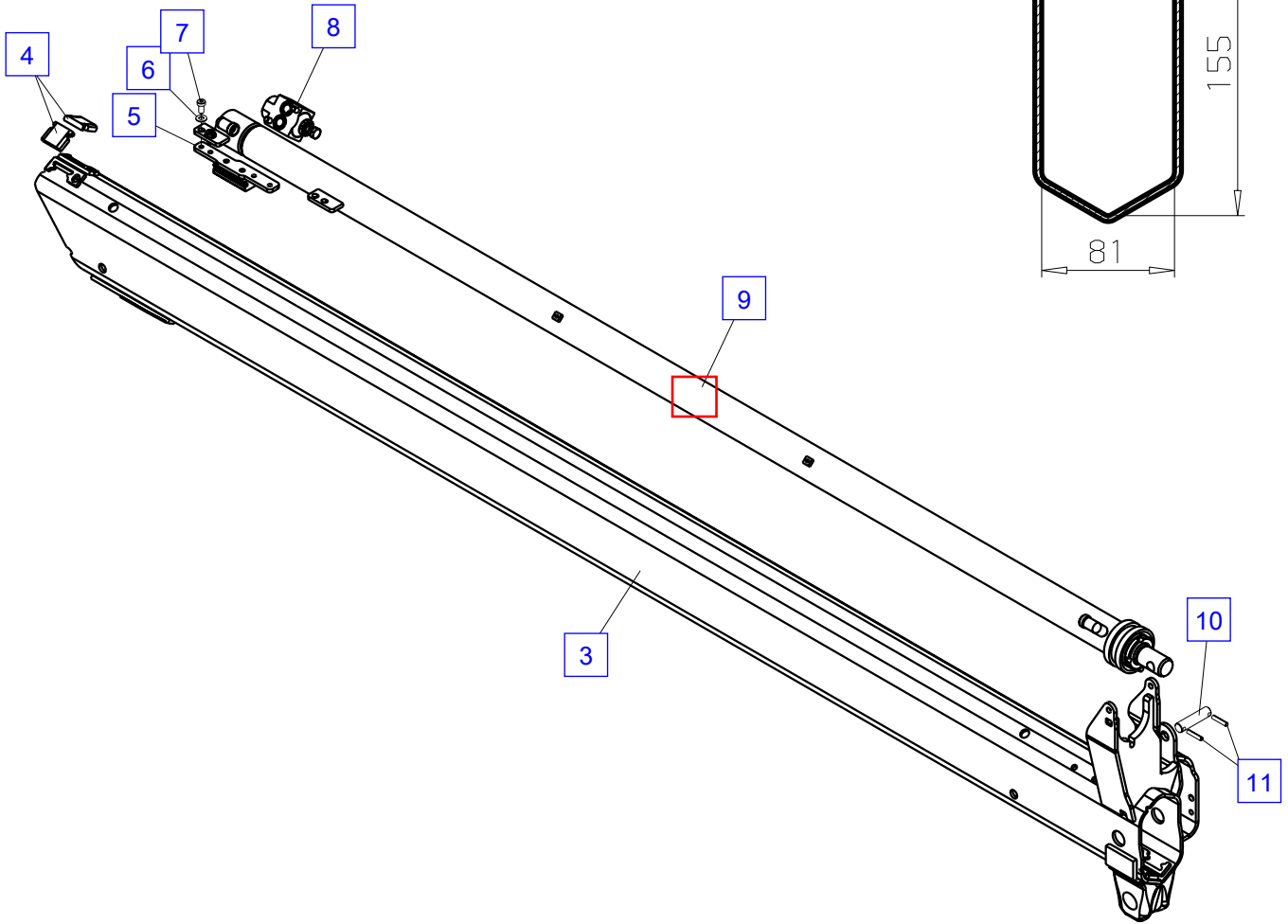


Extension boom 2 + piping

| No. | Spare part   | Qty. | Description        | Dimension           |
|-----|--------------|------|--------------------|---------------------|
| 1   | HLR 1479     | 1    | Pipe               | D 12                |
| 2   | HLR 1478     | 1    | Pipe               | D 12                |
| 3   | S104T02-D    | 1    | Boom extensions    | 155x81 mm           |
| 4   | HF1381+00008 | 2    | Guide block        | 8 mm                |
| 4   | HF1381+00009 | 2    | Guide block        | 9 mm                |
| 4   | HF1381+00010 | 2    | Guide block        | 10 mm               |
| 4   | HF1381+00011 | 2    | Guide block        | 11 mm               |
| 4   | HF1381+00012 | 2    | Guide block        | 12 mm               |
| 5   | HXE1853B     | 1    | Cylinder guide     |                     |
| 6   | EK 003       | 2    | Washer             | D 8.4 ISO7089       |
| 7   | ES 051       | 2    | Screw              | M 8x16 DIN 7984 8.8 |
| 8   | UV223        | 1    | Sequence valve     |                     |
| 9   | UP1559A      | 1    | Extension boom ram | Cr                  |
| 10  | HI 513       | 1    | Pin                | D016.0xL0065.0      |
| 11  | EQ 056       | 2    | Winding pin        | D 6x40 DIN 1481     |

Extension boom 2 + piping

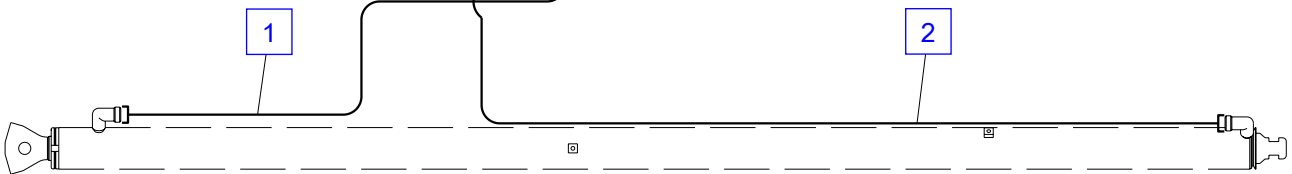
Crane with {2} hydraulic extension booms



Extension boom ram{2}



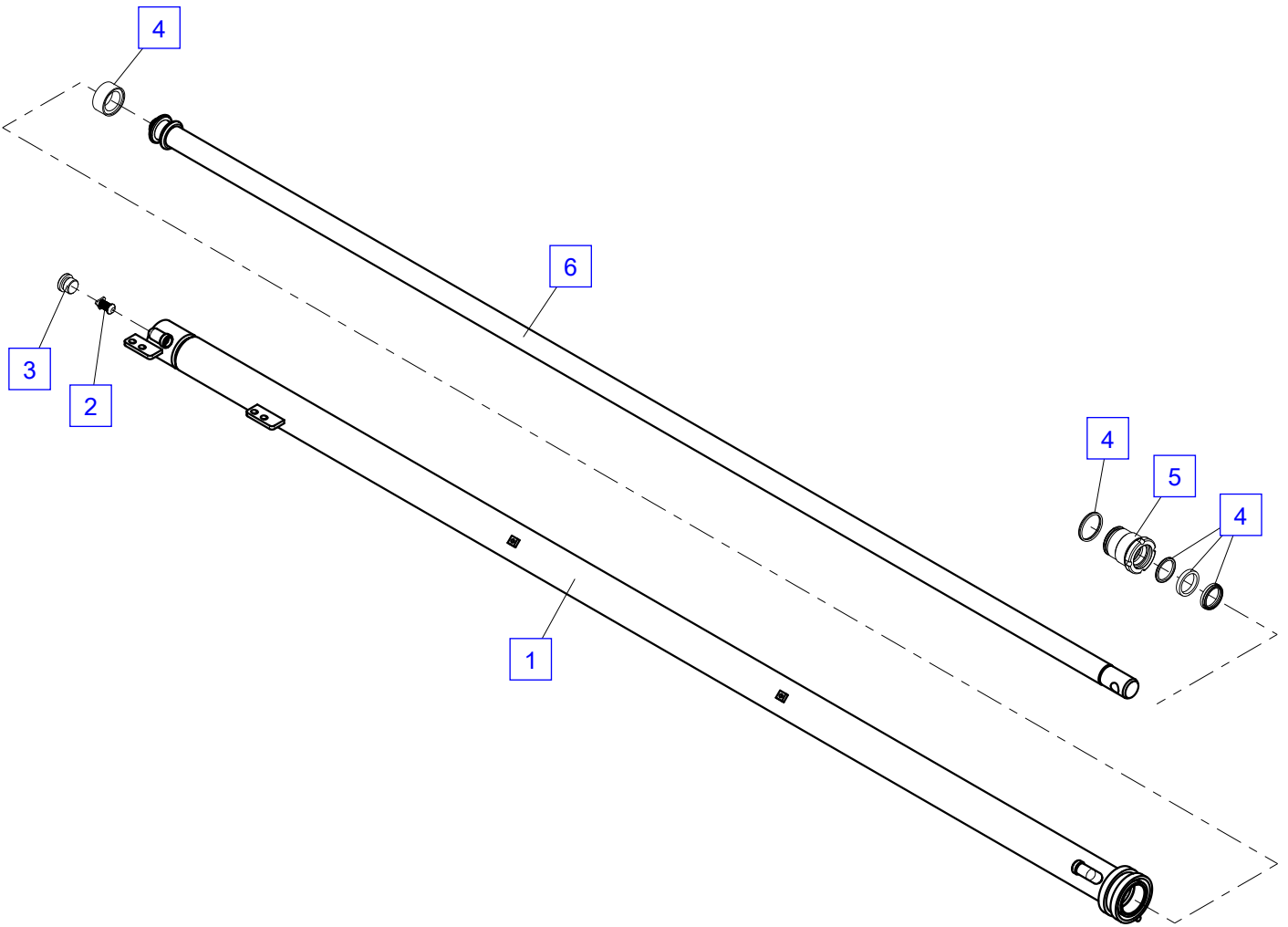
Extension boom ram{1}



## Boom extensions ram UP1559A details

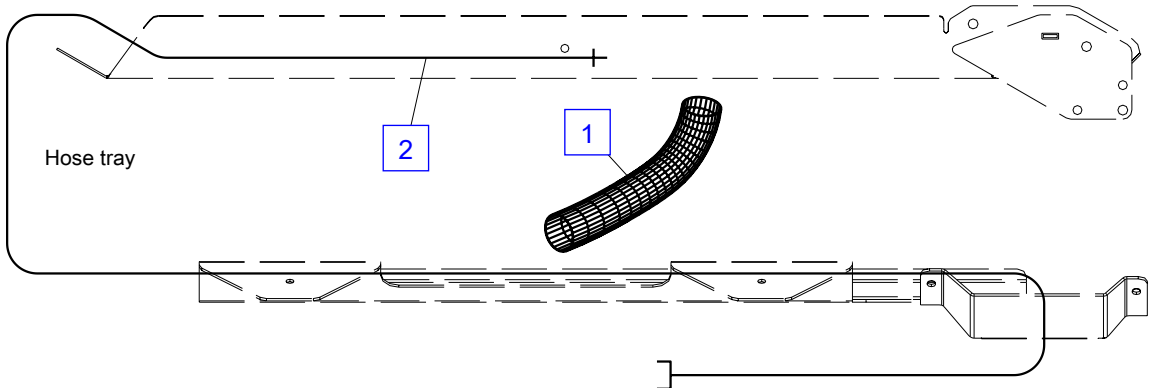
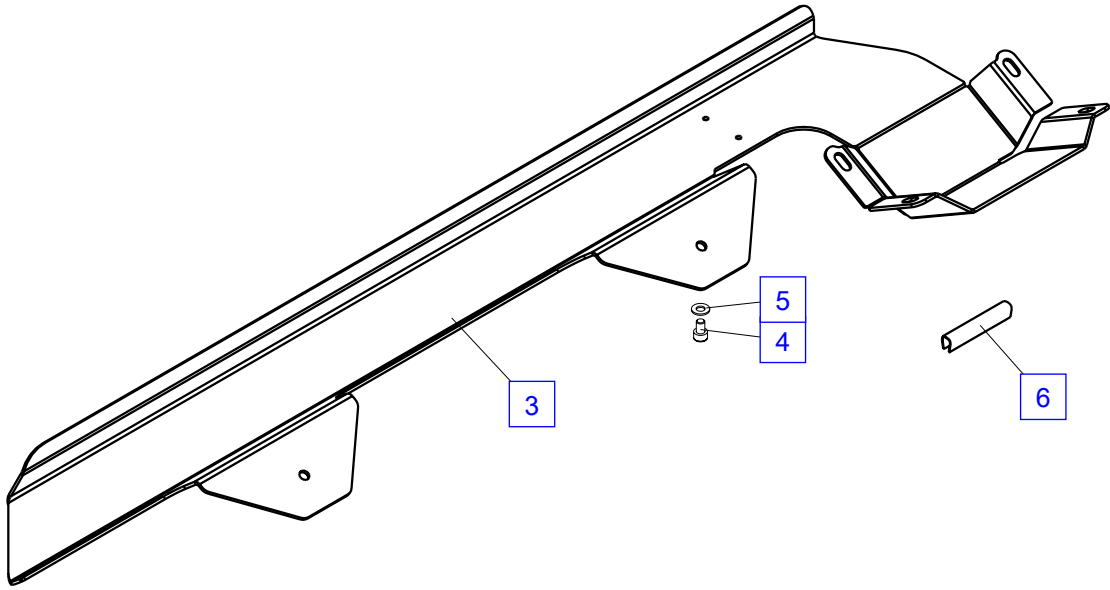
| No. | Spare part    | Qty. | Description        | Dimension              |
|-----|---------------|------|--------------------|------------------------|
|     | UP1559A       | 1    | Extension boom ram | Cr                     |
| 1   | HY1423A       | 1    | Cylinder tube      | d045                   |
| 2   | EV1455        | 1    | Check valve        | I-TL 15-L/16-S         |
| 3   | EA 684        | 1    | Locking screw      | M22x1.5                |
| 4   | TD 578A       | 1    | Seal kit           |                        |
| 5   | HV 390A       | 1    | Cylinder nut       | M048x1.5 d032xL060     |
| 6   | HSK1275+00001 | 1    | Piston rod         | D032xL2003 Dzyl.045 Cr |





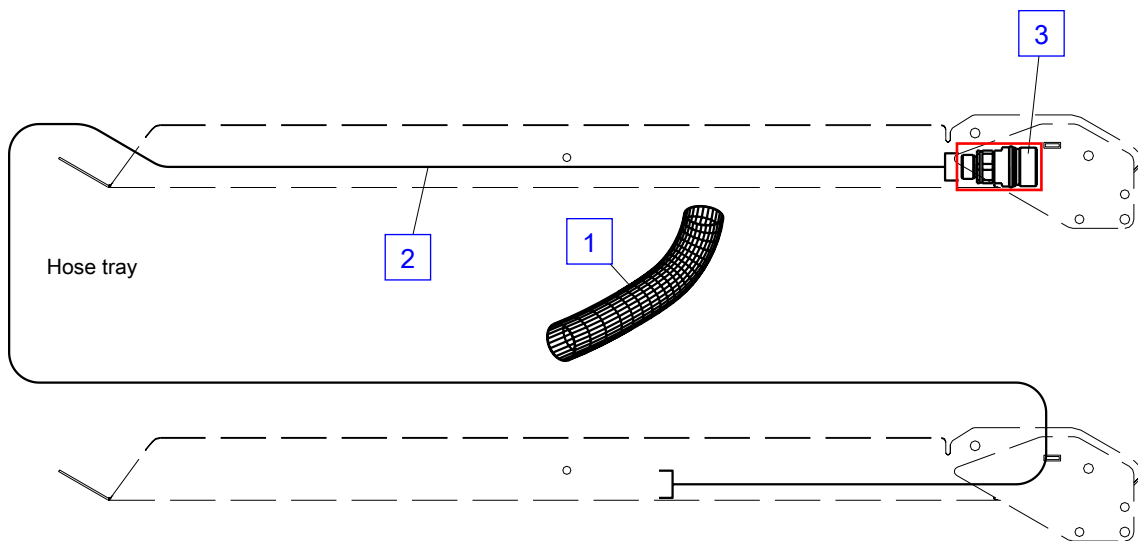
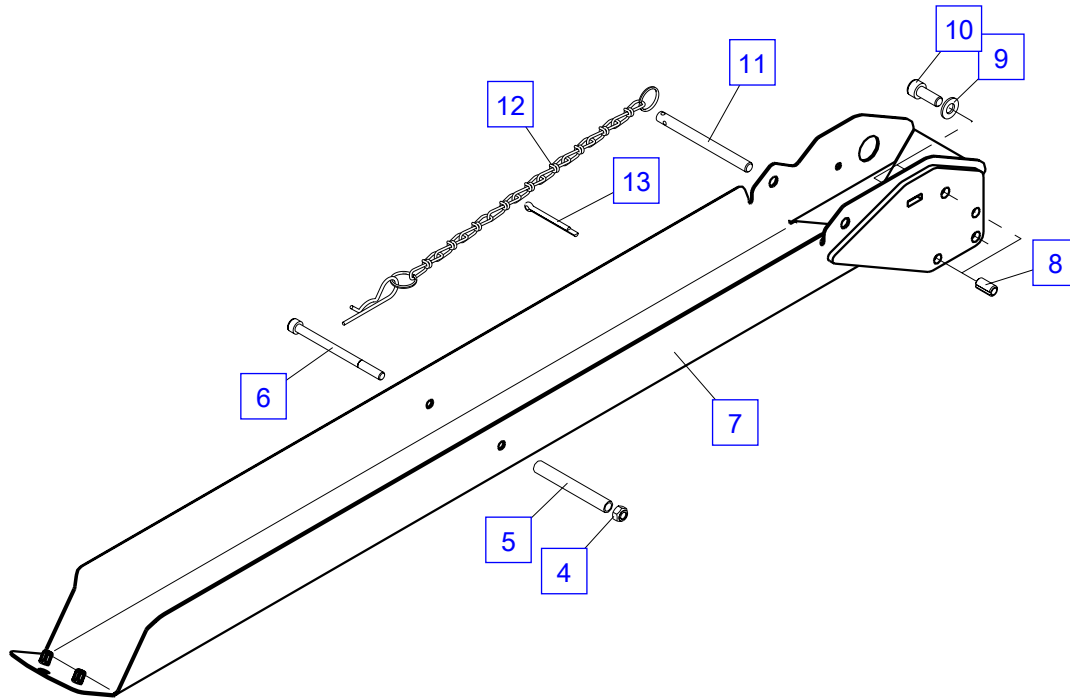
## Outer boom + piping

| No. | Spare part | Qty. | Description                   | Dimension           |
|-----|------------|------|-------------------------------|---------------------|
| 1   | EH 619     | 1    | Protection hose               | NW 50x1500          |
| 1   | EH 844     | 1    | Protection hose               | D 70x1500           |
| 2   | EH2283     | 2    | Hose                          | NW 10x2700          |
| 3   | HA 655     | 1    | Hose tray                     |                     |
| 4   | ES 374     | 6    | Screw                         | M 8x12 ISO4762- 8.8 |
| 5   | EK 003     | 6    | Washer                        | D 8.4 ISO7089       |
| 6   | EZ 578     | 0    | Edge protection (metro goods) | 4-6 mm              |



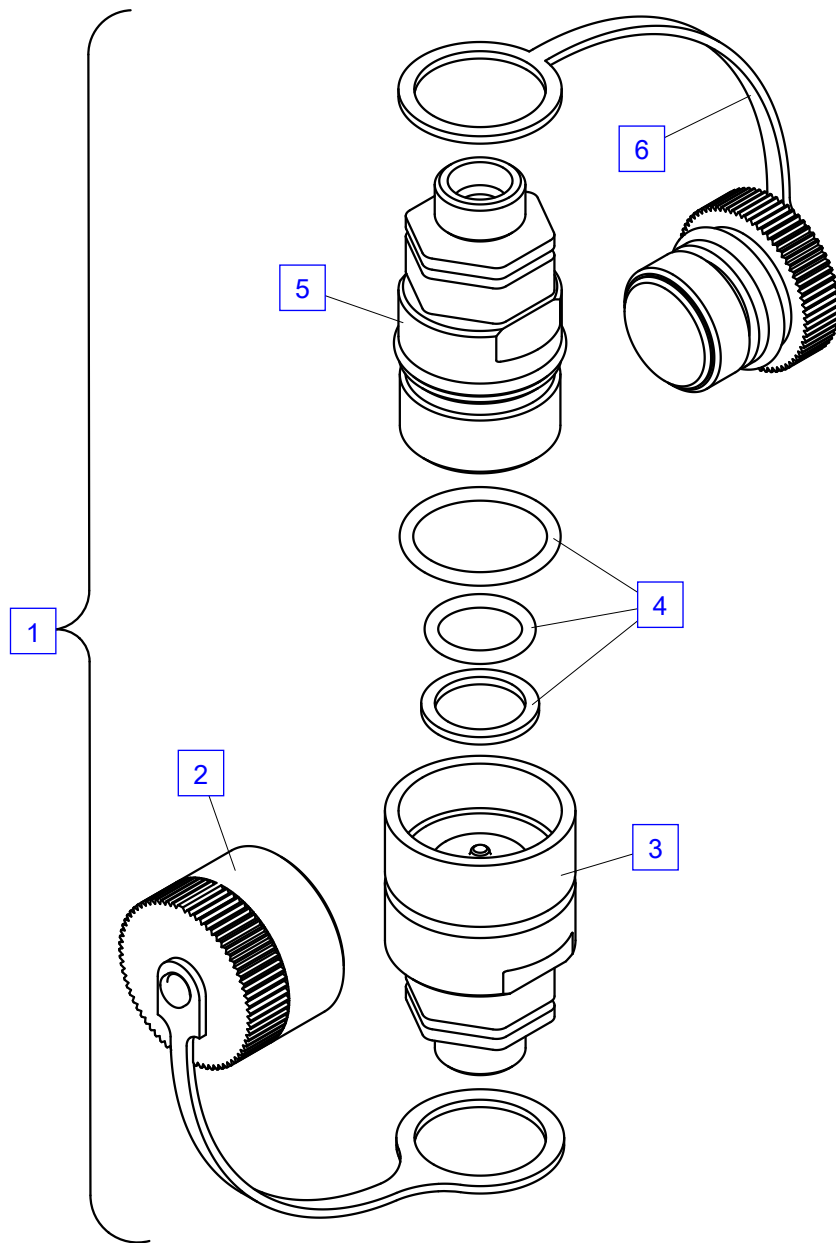
Extension boom + piping

| No. | Spare part | Qty. | Description          | Dimension            |
|-----|------------|------|----------------------|----------------------|
| 1   | EH 617     | 1    | Protection hose      | NW 50x1400           |
| 1   | EH 844     | 1    | Protection hose      | D 70x1500            |
| 2   | EH4786     | 2    | Hose                 | NW 10x3350           |
| 3   | EA1113S    | 1    | Quick coupling, cpl. | 12-S DIN 2353        |
| 4   | EM 026     | 1    | Nut                  | M 8 DIN 985          |
| 5   | HBS2126    | 1    | Spacer tube          | D12.0xd9.0xL=92 mm   |
| 6   | ES1163     | 1    | Screw                | M 8x110 DIN 912      |
| 7   | HXE1154    | 1    | Hose tray            |                      |
| 8   | EQ 044     | 2    | Winding pin          | D 10x20 DIN1481      |
| 9   | EK 007     | 2    | Washer               | D 10.5 ISO7089       |
| 10  | ES 024     | 2    | Screw                | M 10x16 ISO4762-10.9 |
| 11  | HI4928     | 1    | Pin                  | l=110 mm             |
| 12  | HXS 032    | 1    | Safety chain         |                      |
| 13  | EQ1313     | 1    | Split pin            | D 5x30 ISO 1234 A2   |



## Quick-coupling

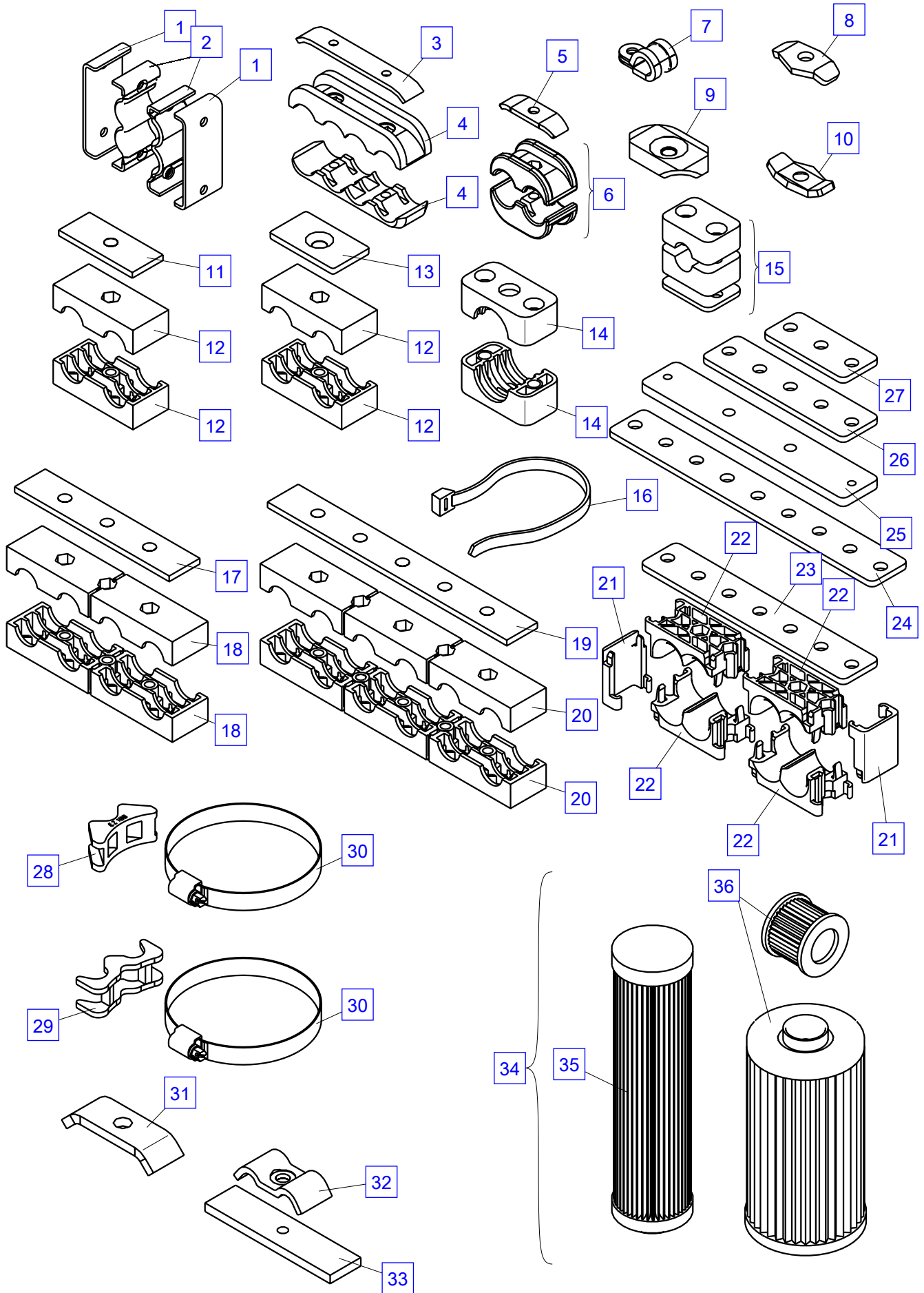
| No. | Spare part | Qty. | Description          | Dimension     |
|-----|------------|------|----------------------|---------------|
| 1   | EA1113S    | 1    | Quick coupling, cpl. | 12-S DIN 2353 |
| 2   | EK 112     | 1    | Dust cover (red)     | Rot           |
| 3   | EA1267     | 1    | Quick-coupling       | 12 S          |
| 4   | TD 045     | 1    | Seal kit, cpl.       |               |
| 5   | EA1266     | 1    | Quick-coupling       | 12 S          |
| 6   | EK 113     | 1    | Dust cover (red)     | Rot           |



Miscellaneous

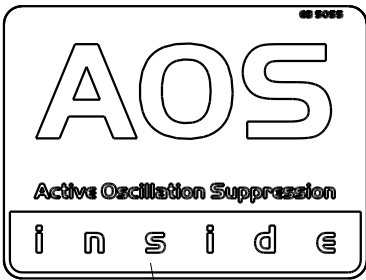
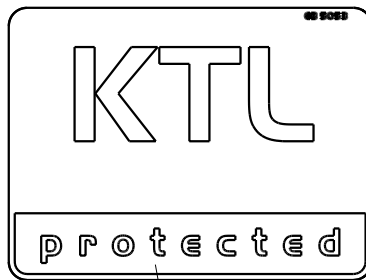
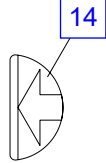
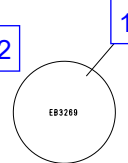
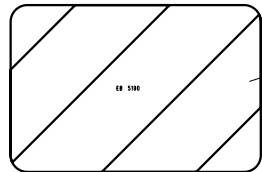
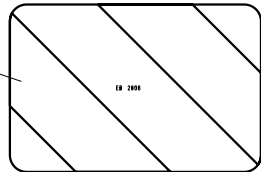
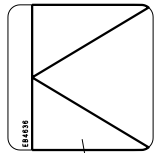
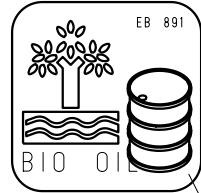
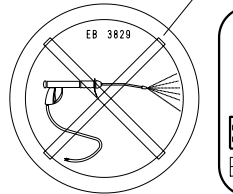
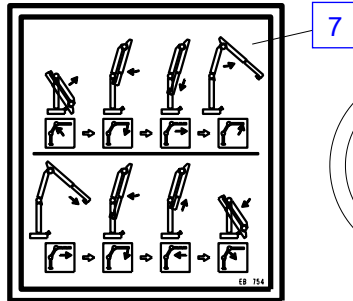
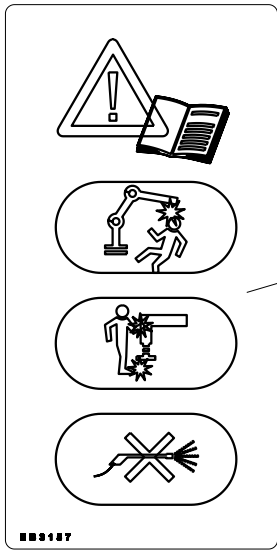
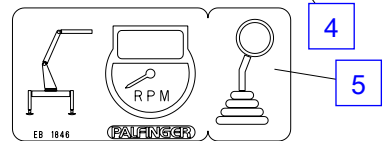
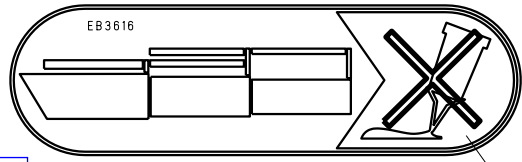
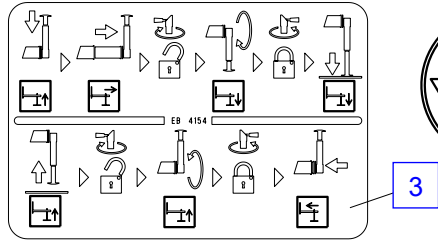
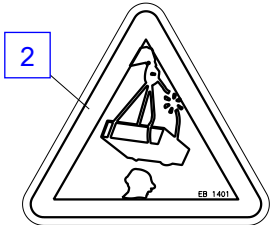
| No. | Spare part | Qty. | Description          | Dimension               |
|-----|------------|------|----------------------|-------------------------|
| 1   | HA3041     | 0    | Clip                 | L0076.3xB0030xS002      |
| 2   | HA3022     | 0    | Clip                 |                         |
| 3   | HTR 810    | 0    | Plate                | L0093.0xB0015.0xS0003.3 |
| 4   | EZ 124     | 0    | Hose clip            | D 17x4                  |
| 5   | HA4819     | 0    | Plate                | L0046.2xB0015xS003      |
| 6   | EZ2643     | 0    | Hose clip            | D017.0                  |
| 7   | EK 216     | 0    | Pipe clip            | D 10                    |
| 8   | HX 007     | 0    | Pipe clip            |                         |
| 9   | HX 611     | 0    | Clip                 | L0058.2xB0039.1 xS003.0 |
| 10  | HX 416     | 0    | Pipe clip            |                         |
| 11  | HX 335     | 0    | Stiffening plate     |                         |
| 12  | EZ 257     | 0    | Hose clip            | D 19-22                 |
| 13  | HX 599     | 0    | Plate                |                         |
| 14  | EZ 502     | 0    | Hose clip            | D 28                    |
| 15  | EZ 306     | 0    | Pipe clip            | D 14                    |
| 16  | EK 084     | 0    | Mounting band        | I=360x7.5               |
| 17  | HX 337     | 0    | Stiffening plate     | L0126xB0025xS004        |
| 18  | EZ 256     | 0    | Hose clip            | D 19-21                 |
| 19  | HX6626     | 0    | Stiffening plate     | L195.0xB25.0xS4.0       |
| 20  | EZ 186     | 0    | Hose clip            | D 19-21                 |
| 21  | EZ1718     | 0    | Stop plate           |                         |
| 22  | EZ1589     | 0    | Hose clip            | NW 10                   |
| 23  | HX 965     | 0    | Fastening plate      | L0166.0 B0030 S0004     |
| 24  | HX1002     | 0    | Fastening plate      |                         |
| 25  | HTR3661    | 1    | Fastening plate      |                         |
| 26  | HX 964     | 0    | Fastening plate      | L0116xB0030xS004        |
| 27  | HX 963     | 0    | Fastening plate      | L0066xB0030xS004        |
| 28  | EZ 188     | 0    | Pipe clip            |                         |
| 29  | EZ 272     | 0    | Pipe clip            |                         |
| 30  | EQ 007     | 0    | Hose clamp           | D 110-130               |
| 31  | HX 058     | 0    | Pipe clip            | L0076xB0025xS006        |
| 32  | HX 448     | 0    | Pipe clip            | L0070xB0025xS004        |
| 33  | HTR1231    | 0    | Plate                | L0102xB0025xS006        |
| 34  | BZ204S     | 1    | Filter element, cpl. |                         |
| 35  | EA1392     | 1    | Filter element       |                         |
| 36  | EA1412     | 1    | Filter element       | 80 l/min                |





## Decals (1)

| No. | Spare part | Qty. | Description             | Dimension    |
|-----|------------|------|-------------------------|--------------|
| 1   | EB4856     | 2    | Company decal Palfinger | 715x125 mm   |
| 2   | EB12019    | 2    | Danger sign             | 176x157 mm   |
| 3   | EB4154     | 1    | Symbol sign             |              |
| 4   | EB3616     | 2    | Symbol sign             |              |
| 5   | EB1846     | 1    | Decal                   |              |
| 6   | EB15283    | 1    | Danger sign             |              |
| 7   | EB12238    | 1    | Decal                   |              |
| 8   | EB12008    | 1    | Sign                    | 45x45 mm     |
| 10  | EB12010    | 1    | Decal                   | 67,5x52,5 mm |
| 11  | EB2806     | 1    | Warning sign            | 150x100 mm   |
| 12  | EB5190     | 1    | Warning sign            | 150x100 mm   |
| 13  | EB3269     | 0    | Decal                   | D 60 mm      |
| 14  | EB1826     | 1    | Symbol sign             |              |
| 15  | EB5052     | 1    | Decal                   |              |
| 16  | EB5053     | 1    | Decal                   |              |
| 17  | EB5054     | 1    | Decal                   |              |
| 18  | EB5055     | 1    | Decal                   |              |
| 19  | EB5056     | 1    | Decal                   |              |
| 20  | EB5057     | 1    | Decal                   |              |

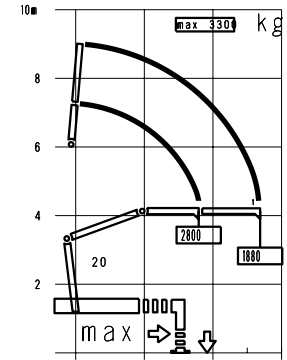
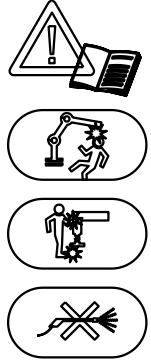


## Decals PK11001-K

| No. | Spare part | Qty. | Description      | Dimension    |
|-----|------------|------|------------------|--------------|
| 1   | EB4265     | 2    | Company decal    | PK 11001-K   |
| 2   | EB4964     | 1    | Capacity diagram | PK 11001-K A |
| 3   | EB4966     | 1    | Capacity diagram | PK 11001-K A |
| 4   | EB12621    | 1    | Symbol sign      |              |
| 5   | EB2323     | 1    | Symbol sign      |              |
| 6   | EB12242    | 1    | Symbol sign      |              |
| 9   | EB5051     | 1    | Company decal    | 370x83 mm    |

# PK 11001-K

**PALFINGER CRANE**  
PK11001-K

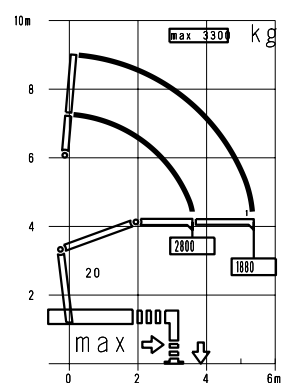
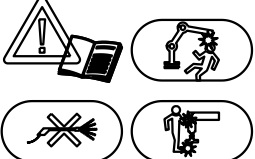


EB4003

1

2

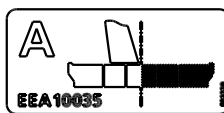
**PALFINGER CRANE**  
PK11001-K



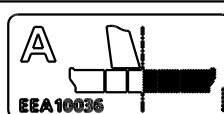
EB4005

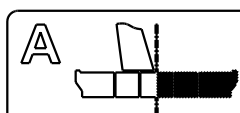
3

4

**A**  **B**  
EB 2320

5

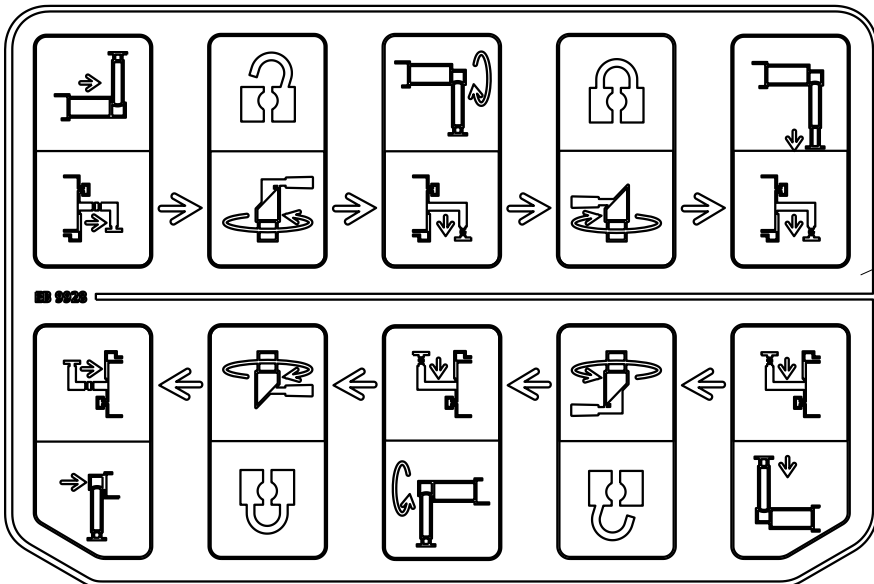
**A**  **B**  
EB 2323

**A**  **B**  
EB 2319

6

# PALFINGER

9



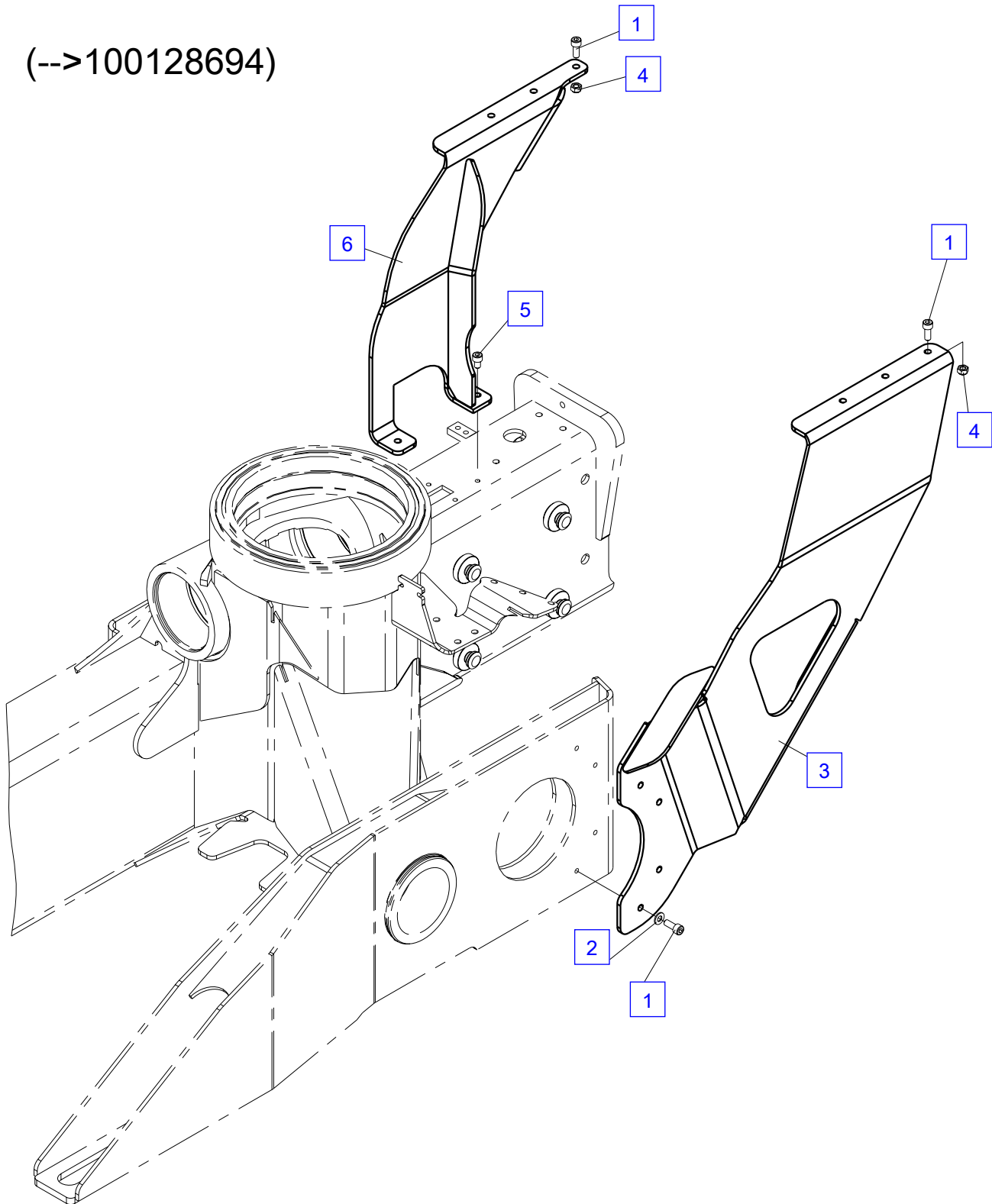
EB 0026

9

## High stand platform

| No. | Spare part | Qty. | Description | Dimension           |
|-----|------------|------|-------------|---------------------|
| 1   | ES 264     | 10   | Screw       | M8x16 ISO4762- 8.8  |
| 2   | EK 003     | 4    | Washer      | D 8.4 ISO7089       |
| 3   | HXE3207    | 1    | Bracket     |                     |
| 4   | EM 026     | 6    | Nut         | M 8 DIN 985         |
| 5   | ES 374     | 2    | Screw       | M 8x12 ISO4762- 8.8 |
| 6   | HXE3206    | 1    | Bracket     |                     |

(-->100128694)



## Crane hook

| No. | Spare part | Qty. | Description    | Dimension                     |
|-----|------------|------|----------------|-------------------------------|
| 1   | HIS 008    | 1    | Pin            | l=135 mm                      |
| 2   | EQ 042     | 1    | Bolt retainer  | D 5,0 DIN 11023 - 05x042 - ST |
| 3   | HXL 010    | 1    | Suspension eye | 11t                           |
| 4   | EZ1598     | 1    | Crane hook     | 8 t                           |
|     | EZ1599     | 1    | Safety latch   |                               |
|     | ELW 262    | 1    | Ball bearing   |                               |
|     | EZ1598-01  | 1    | Nut            | M 30x3.5 UNI 5593             |
|     | EQ1875     | 1    | Split pin      | D 6x40 mm                     |
| 5   | EZ1599     | 1    | Safety latch   |                               |



